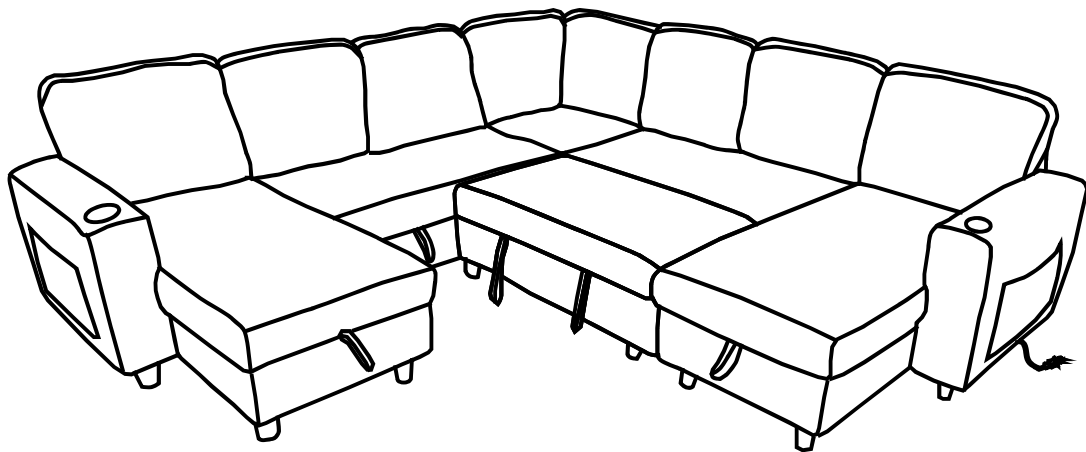


**THE MANUAL IS FOR REFERENCE ONLY AND IS SUBJECT TO
THE ACTUAL PRODUCT.**



Sectional :

Assembly Instructions

Montageanleitung

Instrucciones de ensamblaje

Instructions de montage

Istruzioni di montaggio

English

This seating furniture is tested for domestic use according to CA TB 117.

Care and cleaning

- Wipe clean with a cloth dampened in a mild cleaner.
- Wipe dry with a clean cloth.

Deutsch

Dieses Sitzmöbel ist für den Hausgebrauch getestet gemäß CA TB 117.

Reinigung und Pflege

- Mit einem feuchten Tuch mit milder Seifenlösung abwischen.
- Trocken nachwischen.

Español

Este asiento se ha probado para uso doméstico según la norma CA TB 117.

Mantenimiento y limpieza

- Limpiar con un paño humedecido con una suave solución jabonosa.
- Secar con un paño limpio.

Français

Ce siège a été testé pour un usage domestique, en conformité avec le règlement CA TB 117.

Entretien et nettoyage

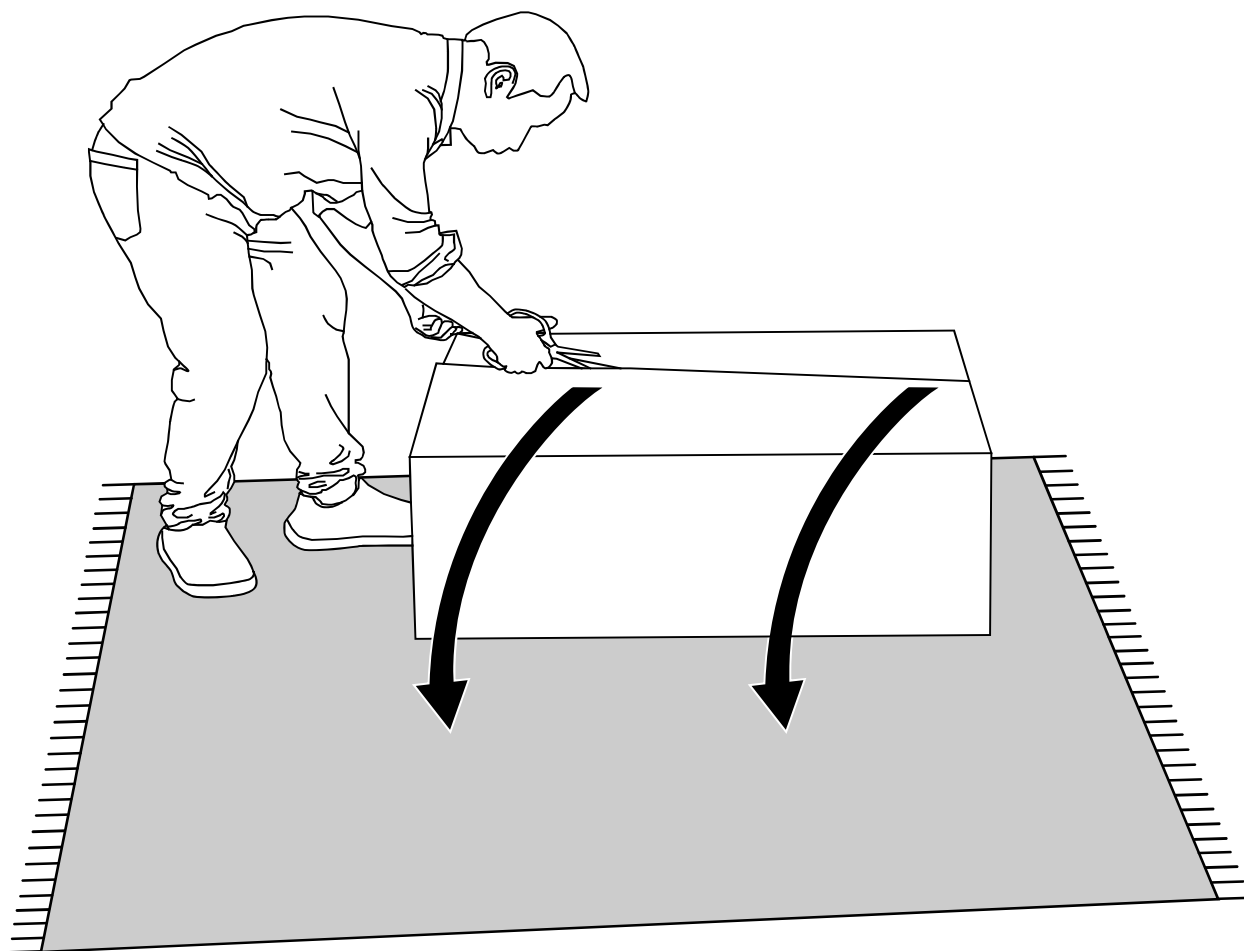
- Nettoyer avec un chiffon humide et une solution savonneuse.
- Essuyer avec un chiffon sec et propre.

Italiano

Questa seduta è stata testata per l'uso domestico in conformità alla norma CA TB 117.

Istruzioni per la pulizia

- Pulisci con un panno inumidito in un detersivo poco concentrato.
- Asciuga con un panno asciutto.

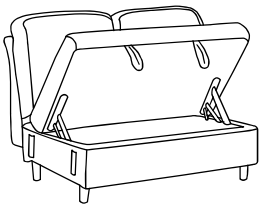


i Gentle reminder :

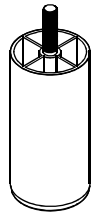


This page displays all available modules for this sectional sofa. Please refer to your order details for specific configuration information. Additional modules can be purchased separately.

Package A1



D



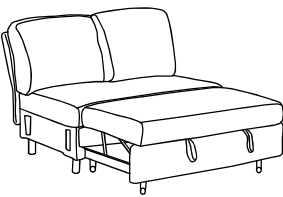
Ø45*97 mm
4X

E



Ø45 mm
4X

Package A2



A



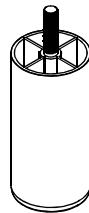
Ø1/4*20 mm
8X

B



H =97 mm
4X

D



Ø45*97 mm
4X

E



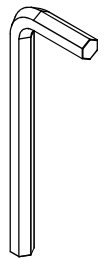
Ø45 mm
4X

F



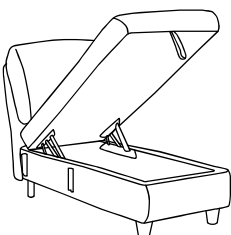
Ø16 mm
8X

G

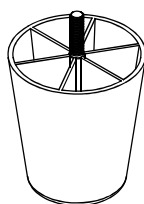


M4
1X

Package B1

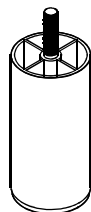


C



Ø80*97 mm
2X

D



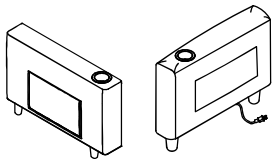
Ø45*97 mm
2X

E

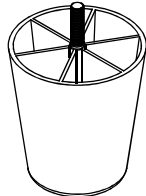


Ø45 mm
4X

Package C1



C



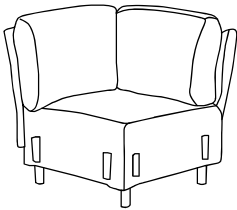
Ø80*97 mm
4X

E

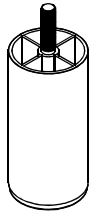


Ø45 mm
4X

Package D1



D



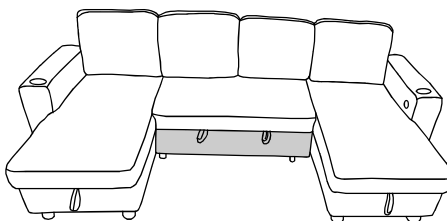
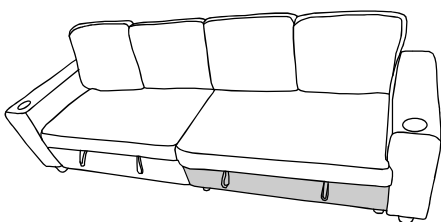
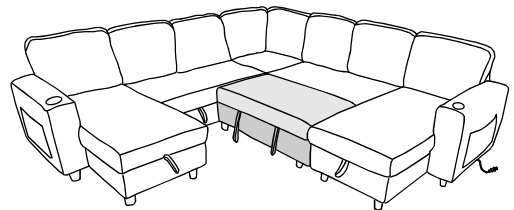
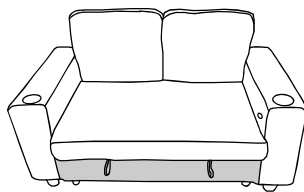
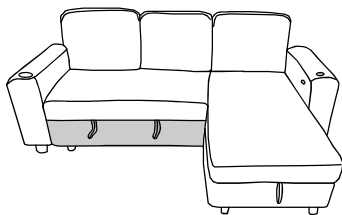
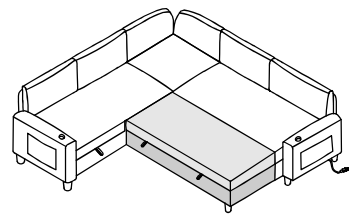
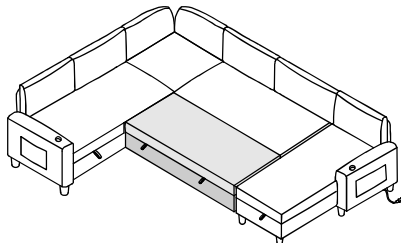
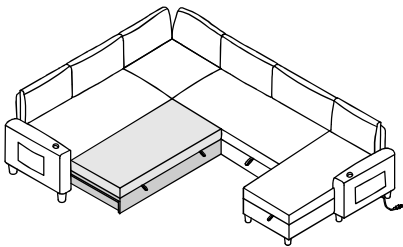
Ø45*97 mm
4X

E



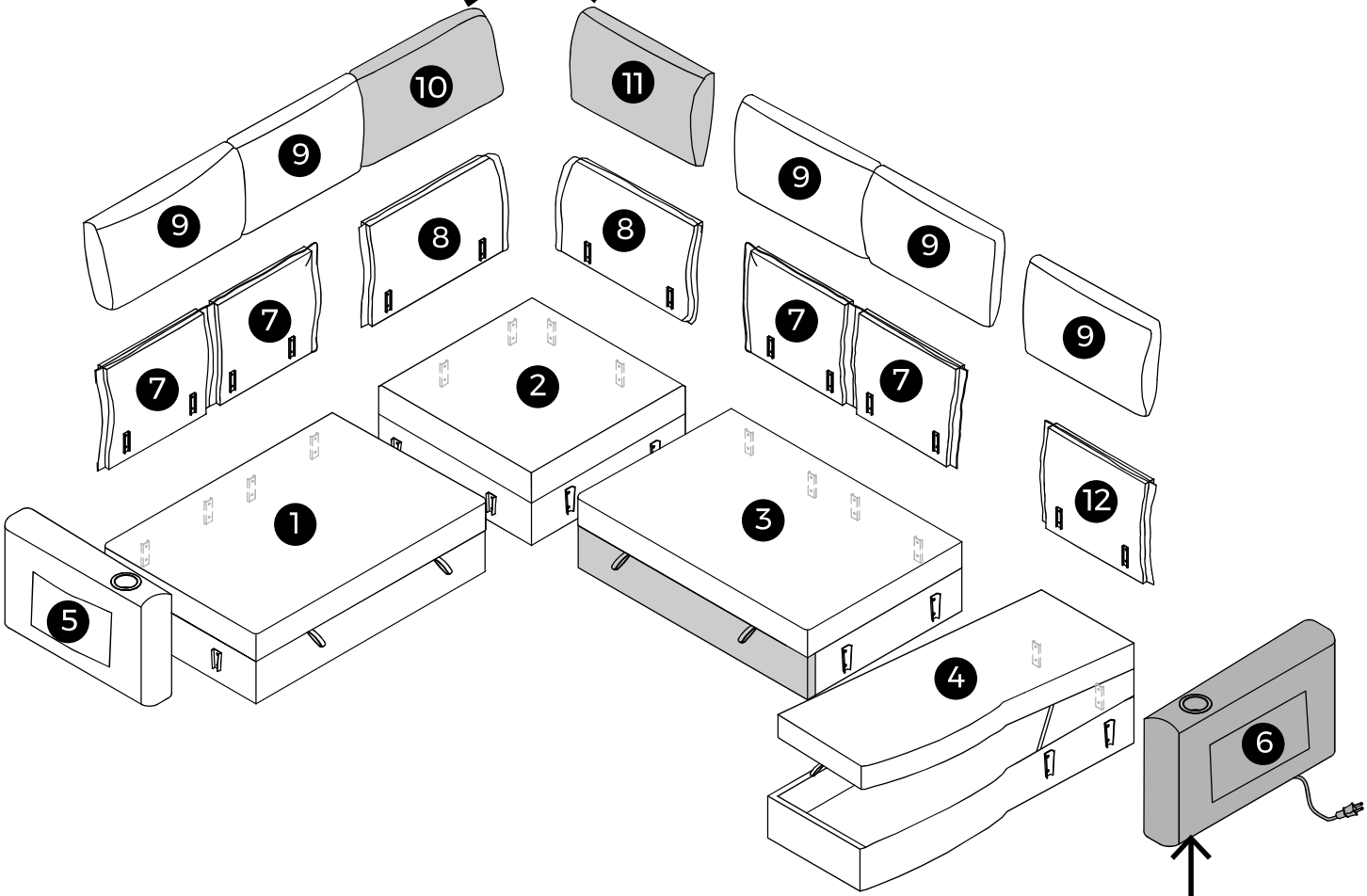
Ø45 mm
4X

i Common sofa configurations:



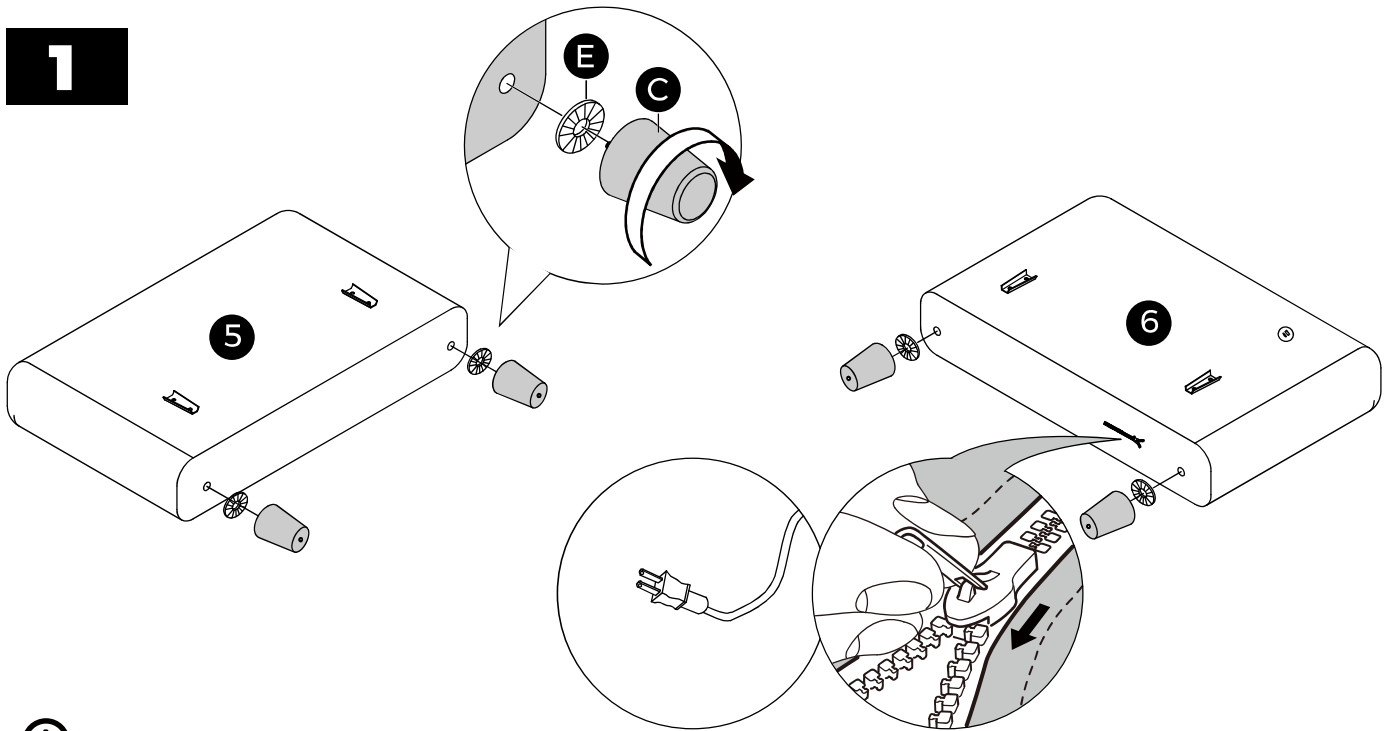


The larger cushion is for the corner seat, the rest are small cushions.



The armrest with power cord is on the left sitting.

1

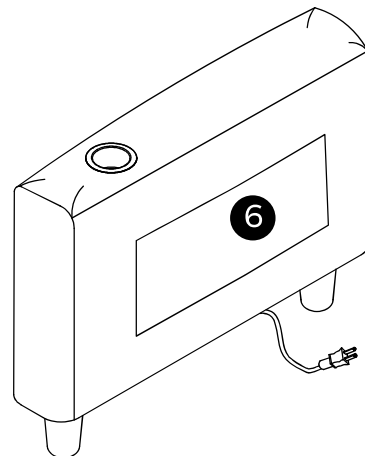
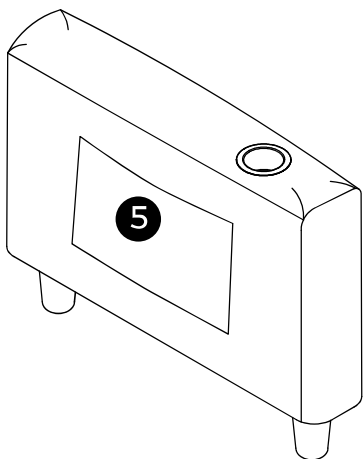


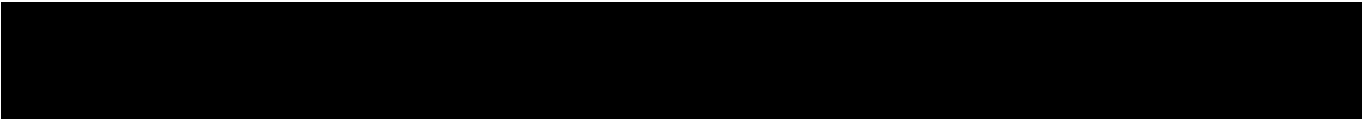
Unzip the zipper, then pull the power cord out from inside the sofa's armrest, and zip it back up.

2

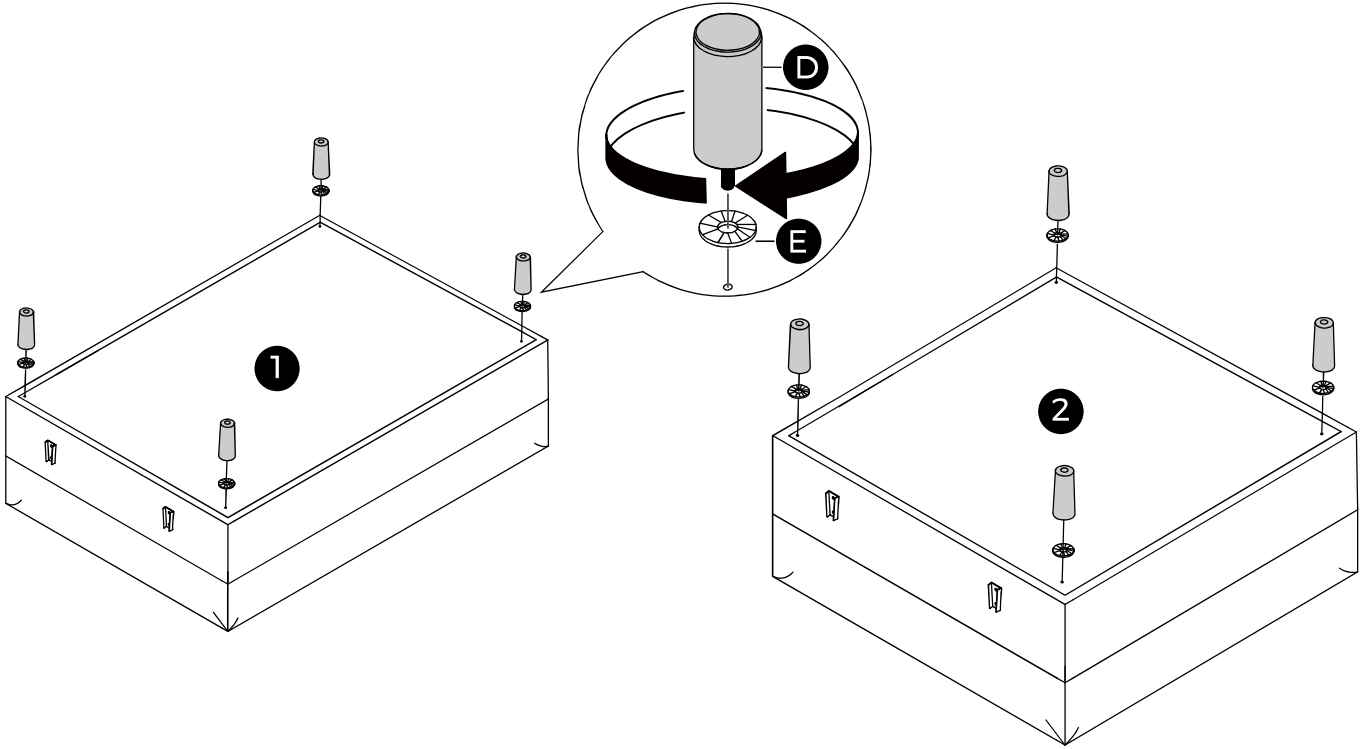


The armrest with power cord is on the left sitting.

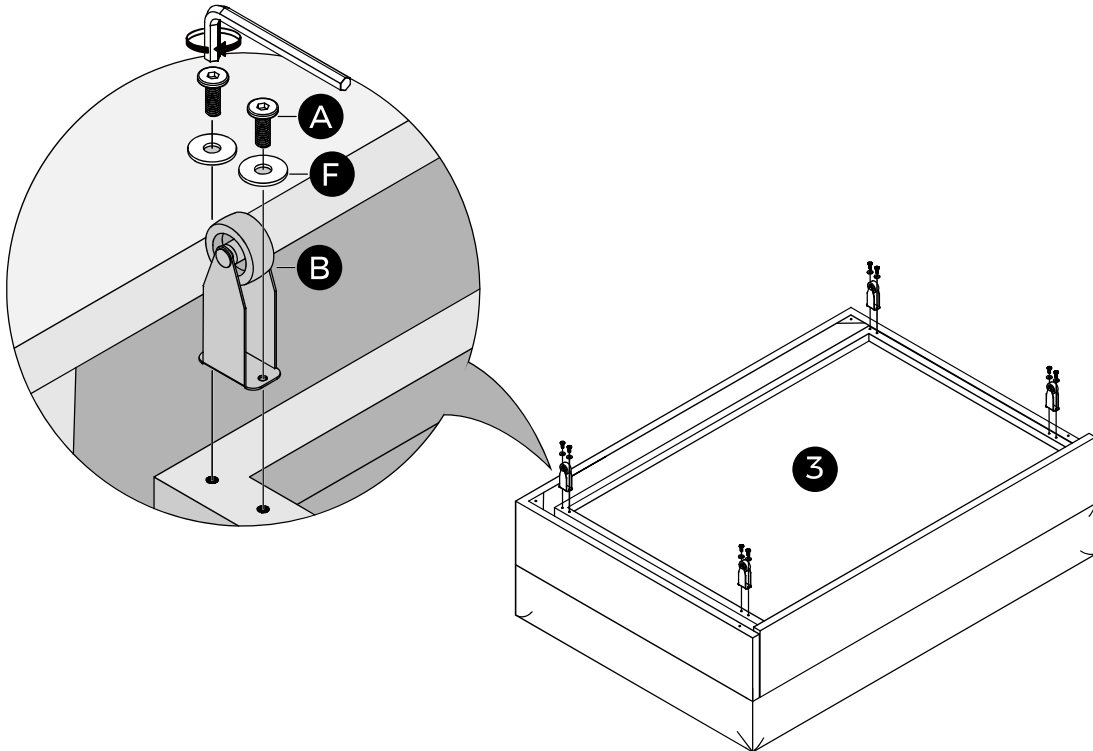




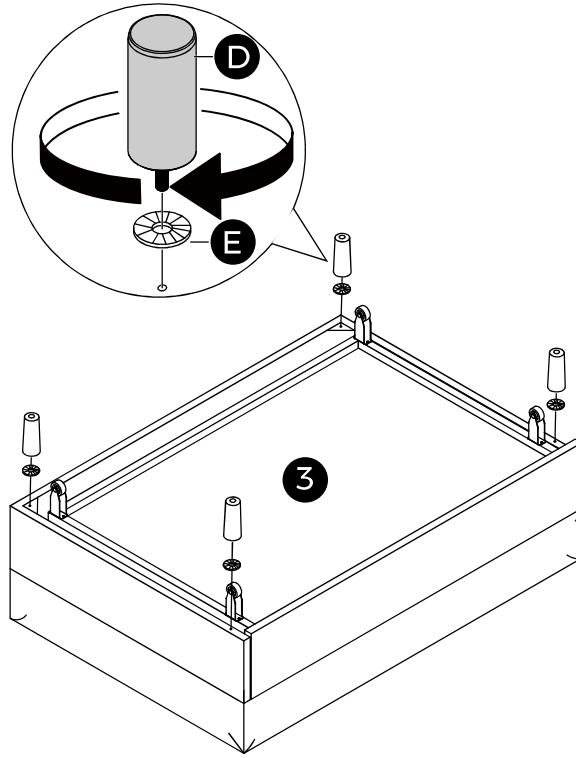
3



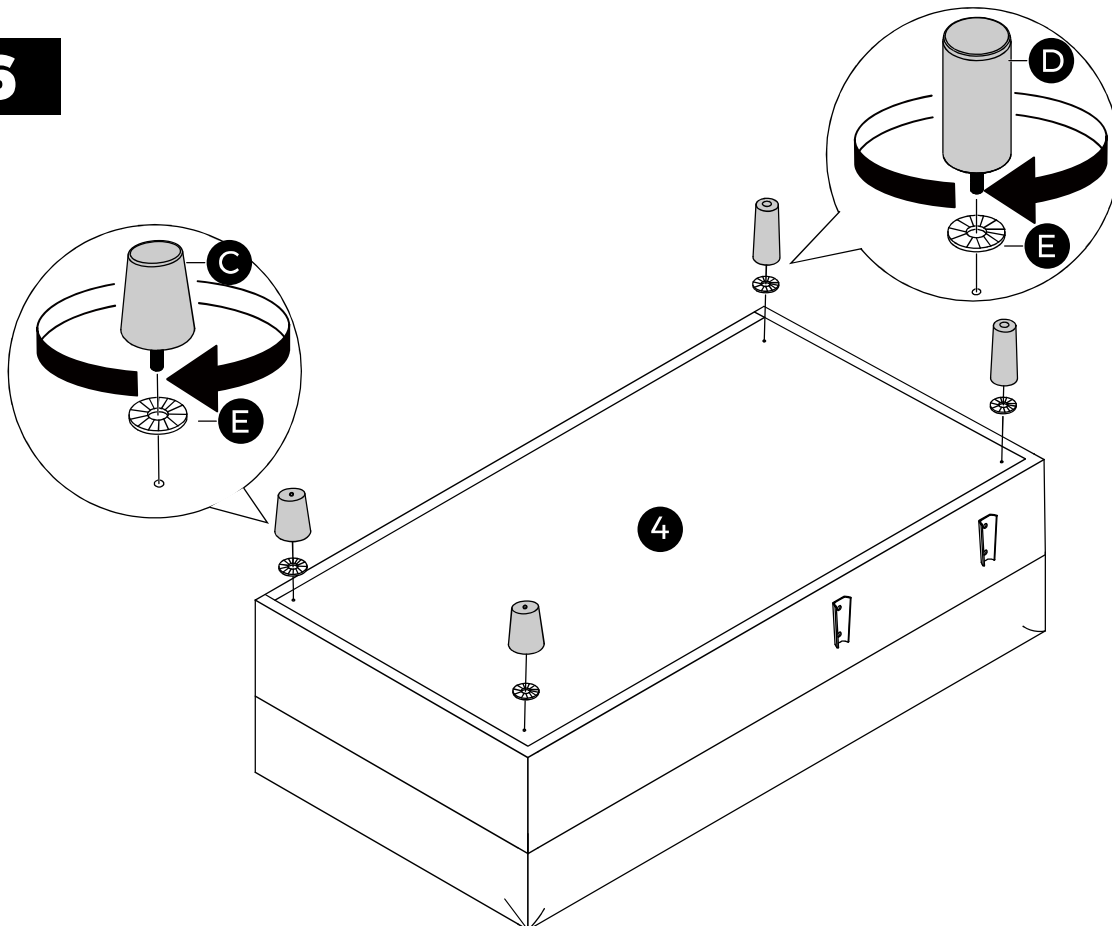
4

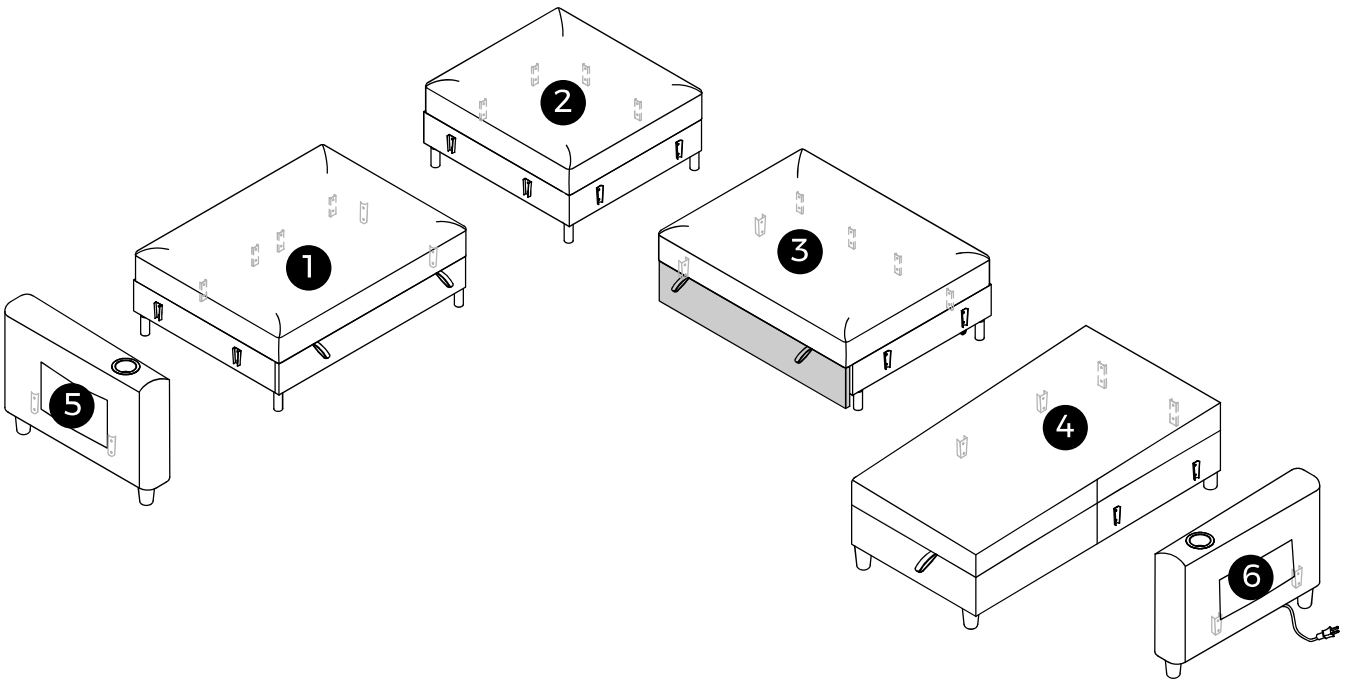


5



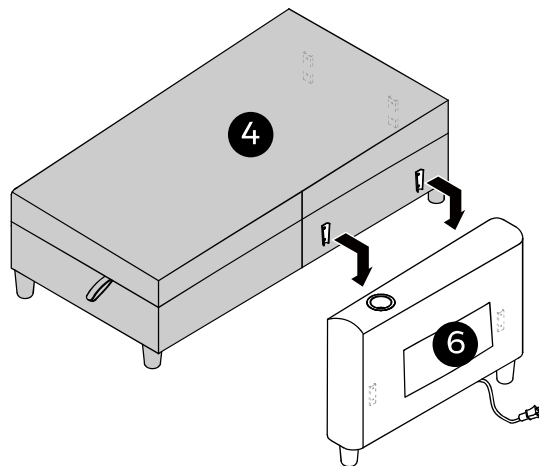
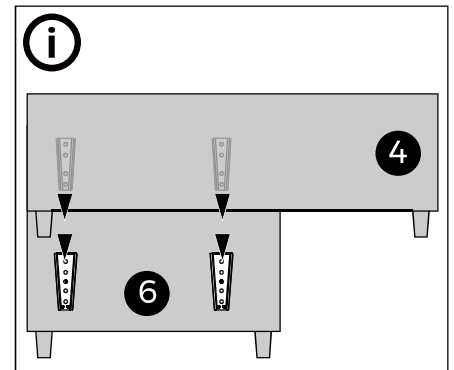
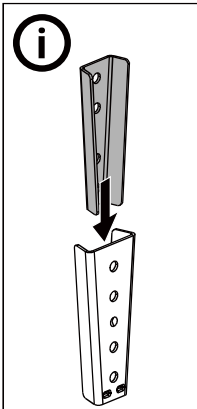
6





7

Note: Distinguish between male and female latches.



English

2 people needed for setup: one holds the armrest, the other lifts the seat frame. Align with armrest latches, press down until fully locked.

Deutsch

2 Personen für die Montage erforderlich: Eine hält die Armlehne fest, die andere hebt den Sitzrahmen. Ausrichten mit den Armlehenschlössern, nach unten drücken, bis vollständig verriegelt.

Español

Se necesitan 2 personas para la instalación: una sujeta el reposabrazos, la otra levanta el bastidor del asiento. Alinear con los pasadores del reposabrazos, presionar hacia abajo hasta bloquear completamente.

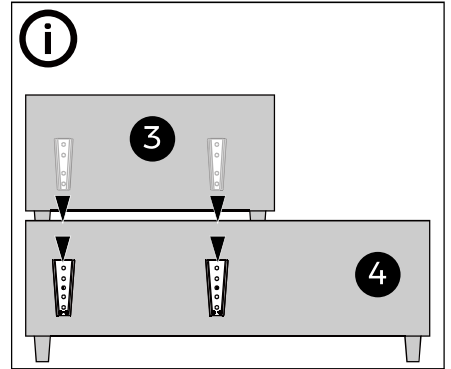
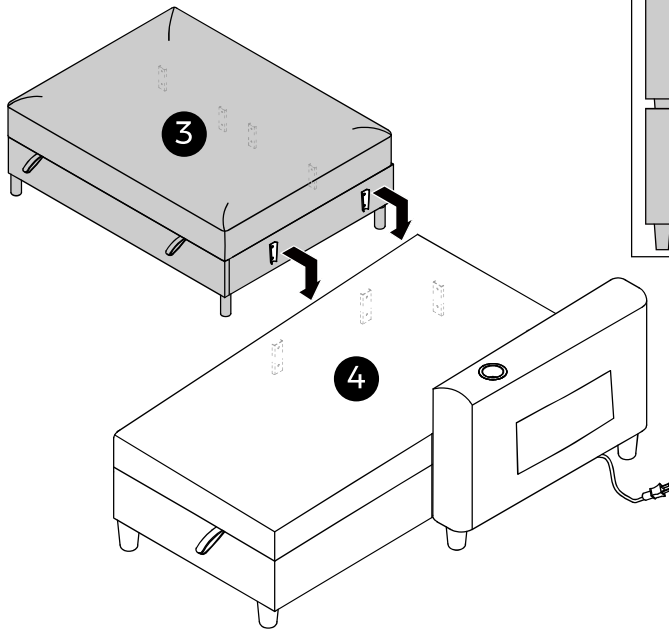
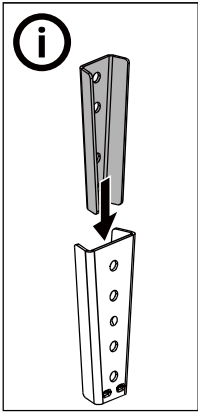
Français

2 personnes nécessaires pour la pose: l'une tient le repose-bras fermement, l'autre lève le cadre du siège. Aligner sur les verrous du repose-bras, appuyer vers le bas jusqu'à verrouillage complet.

Italiano

2 persone necessarie per l'installazione: una tiene fermo il bracciolo, l'altra alza il telaio del sedile. Allineare con i chiavistelli del bracciolo, premere verso il basso fino a essere completamente serrato.

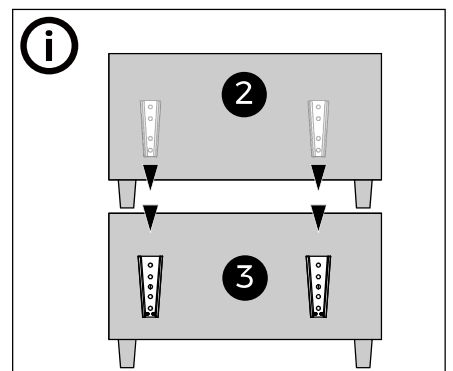
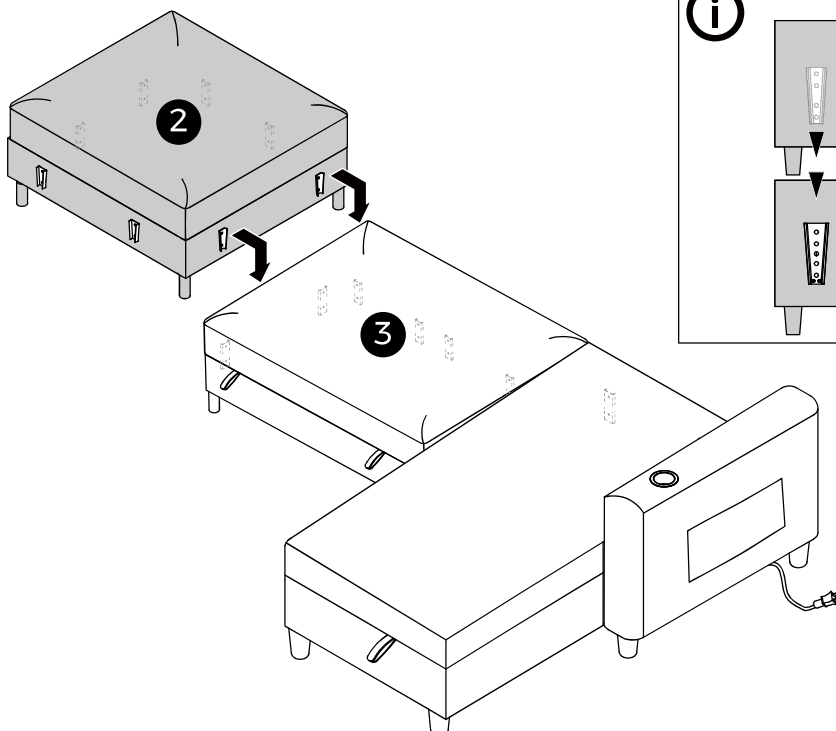
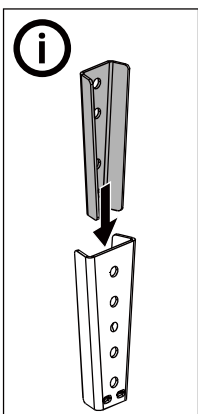
8



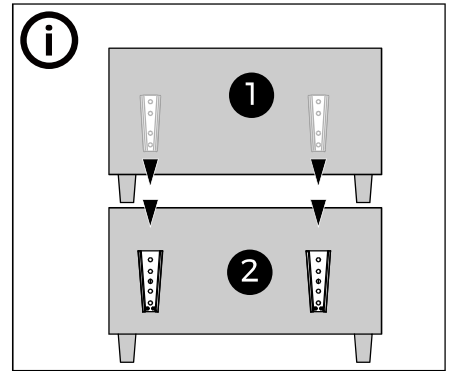
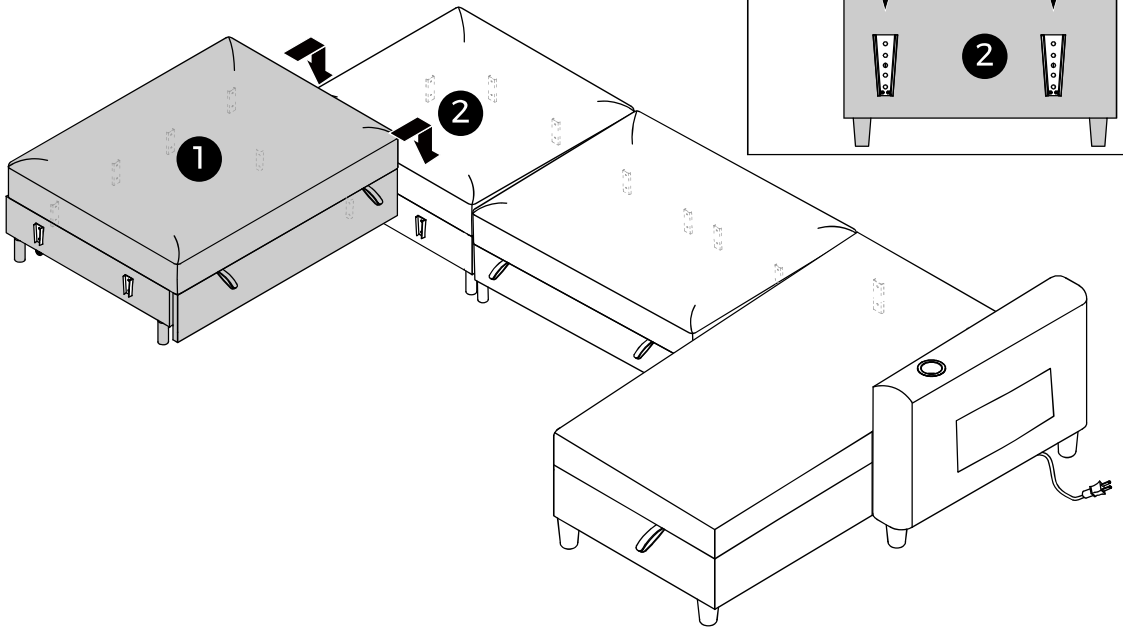
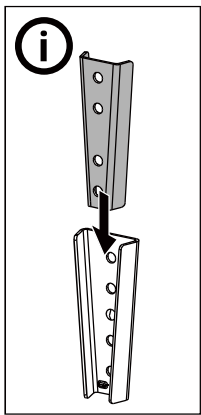
9



Note: Distinguish between male and female latches.



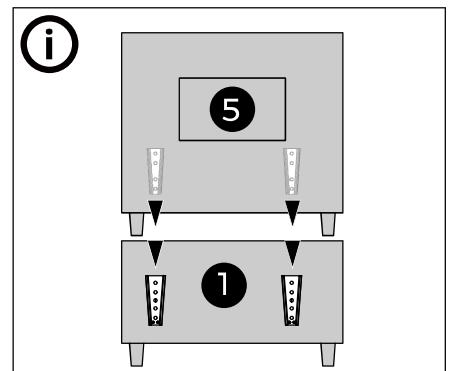
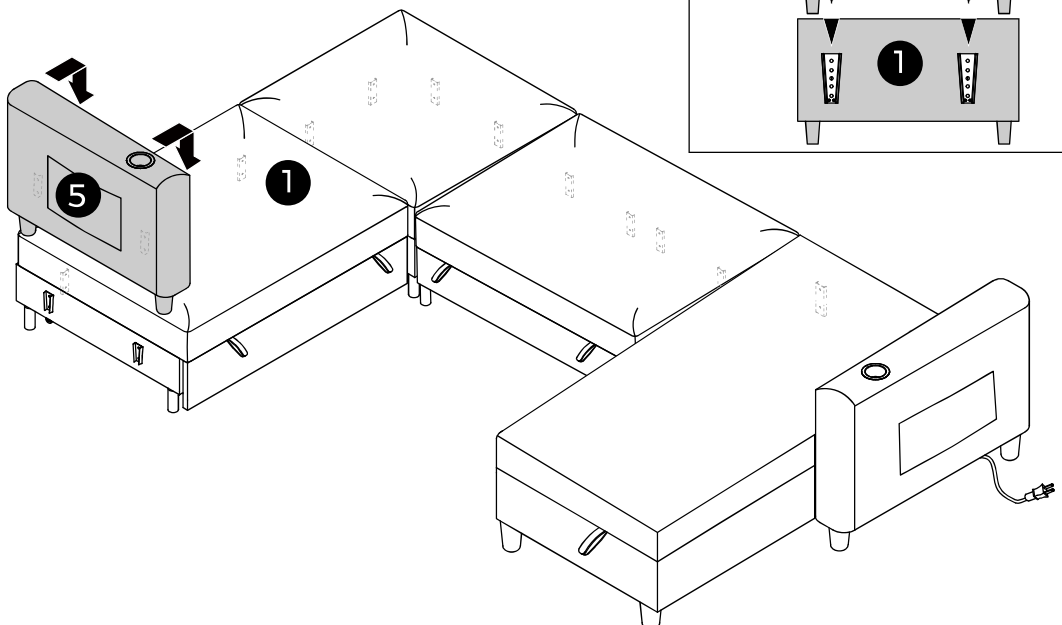
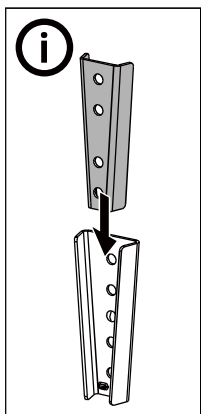
10

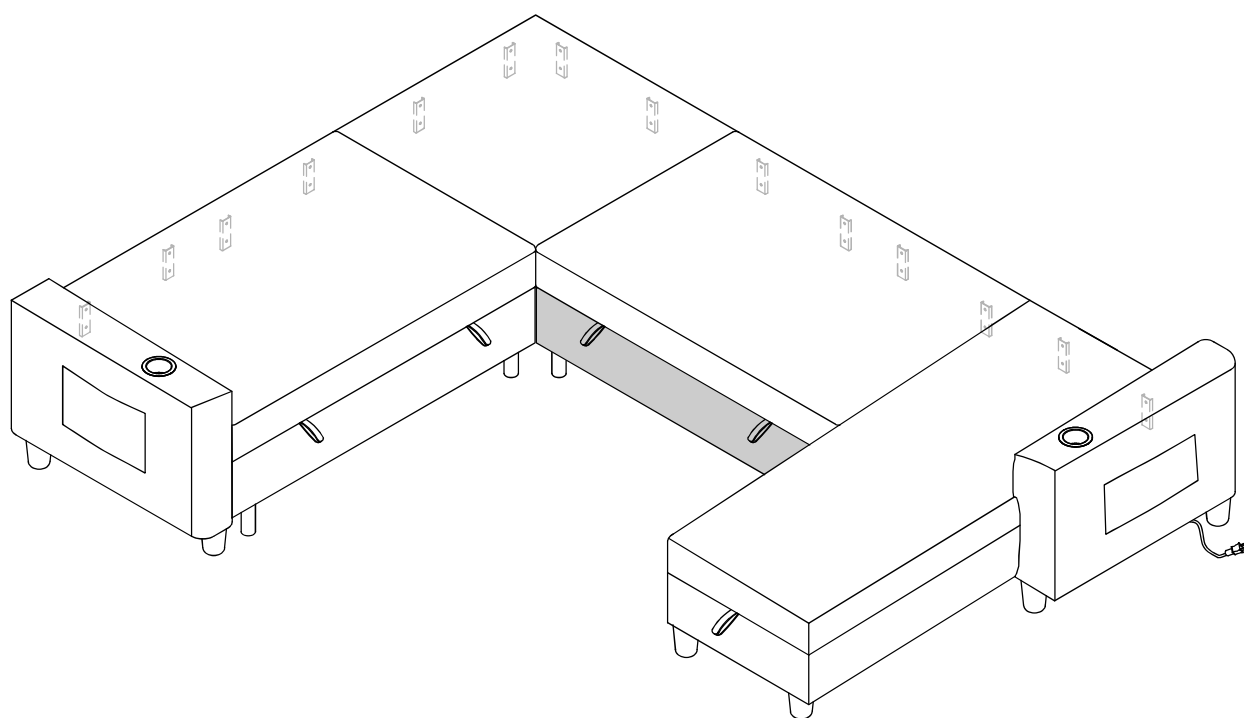


11

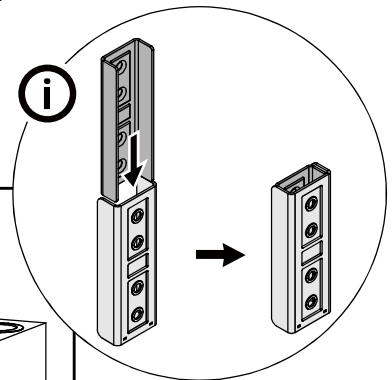
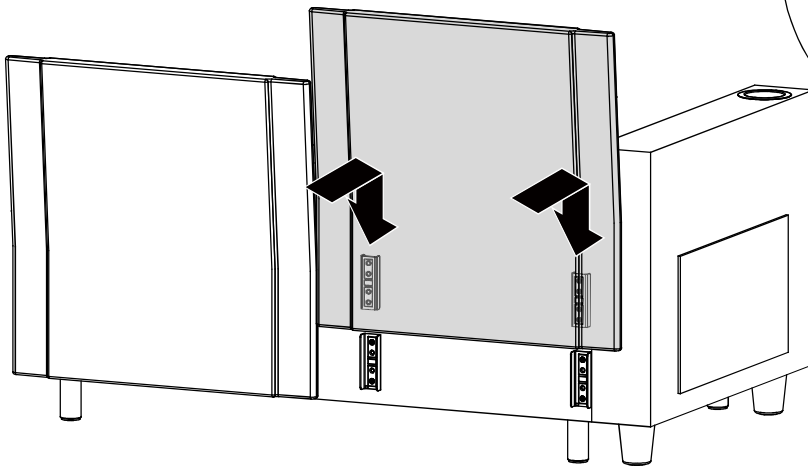
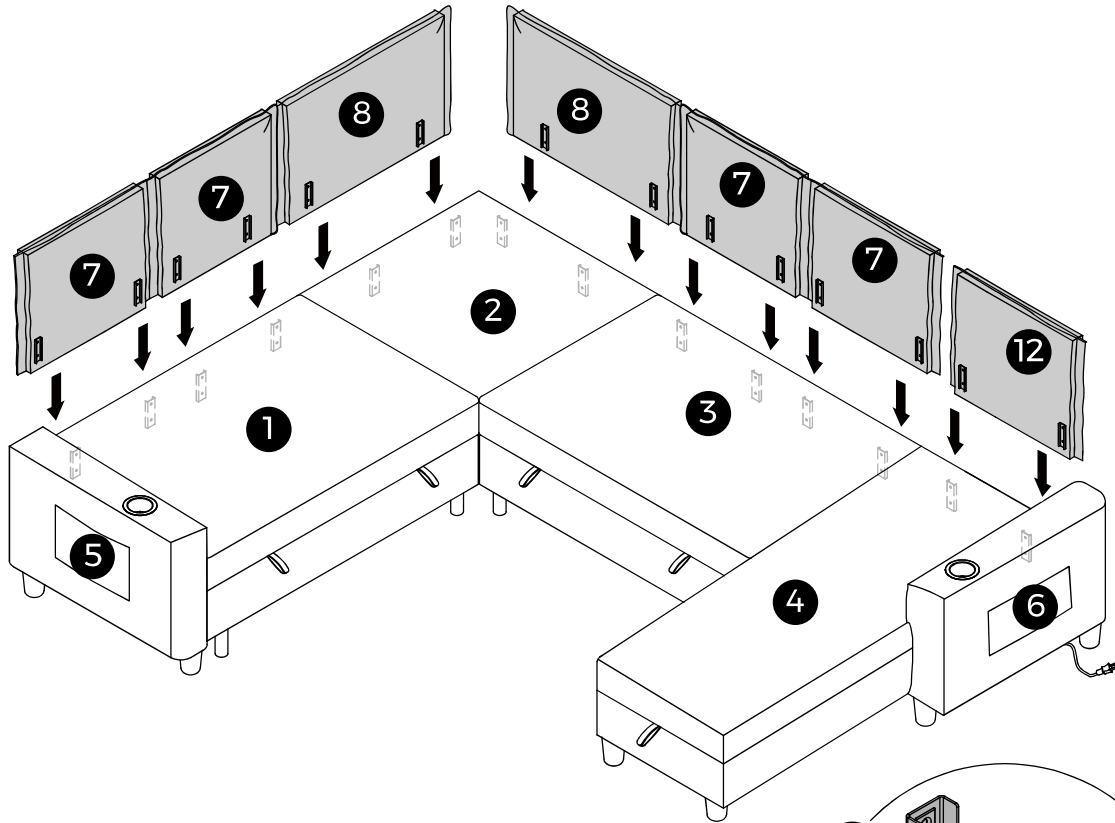


Note: Distinguish between male and female latches.





12



Lift the sofa component (e.g., backrest) with latch buckles installed, align its latches with those of the other components (e.g., seat frame), and insert downward until the two components fasten tightly.
Note: Distinguish between male and female latches.



English

Allow 36-72 hours for the cushion to inflate fully.
Give the pillow a regular fluffing to maintain its loft.

Deutsch

Lassen Sie 36-72 Stunden zu, damit das Kissen vollständig aufgepumpt wird.

Español

Deje 36-72 horas para que la almohada se hinche completamente.

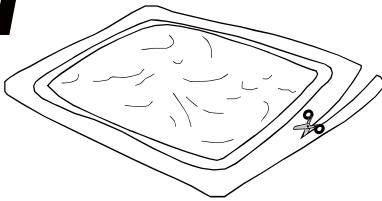
Français

Laissez 36 à 72 heures pour que le coussin gonfle complètement.

Italiano

Lasciare 36-72 ore affinché il cuscino si gonfi completamente.

1



English

Cut and open the package.

Deutsch

Schneiden und öffnen Sie die Verpackung.

Español

Cortar y abrir el paquete.

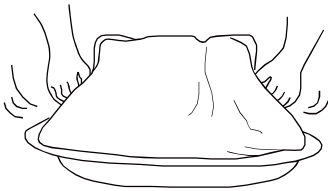
Français

Couper et ouvrir l'emballage.

Italiano

Tagliare e aprire l'imballo.

2



English

Rotate the cushion multiple times and pat from the sides.

Deutsch

Drehen Sie das Kissen mehrmals und klopfen Sie es von der Seite.

Español

Gire el cojín varias veces y golpee por los lados.

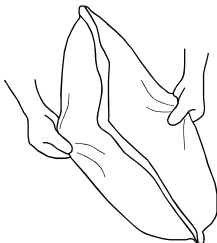
Français

Tournez le coussin plusieurs fois et frappez des côtés.

Italiano

Ruota il cuscino più volte e sbatti dai lati.

3



English

Gently pull the fabric cover and cushion filling outward.

Deutsch

Ziehen Sie die Stoffhülle und die Kissenfüllung sanft nach außen.

Español

Jale suavemente la funda de tela y el relleno del cojín hacia afuera.

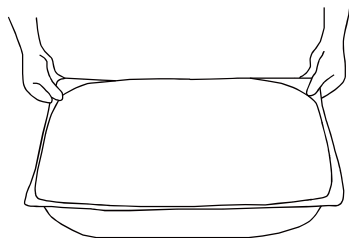
Français

Tirez doucement la housse en tissu et la garniture du coussin vers l'extérieur.

Italiano

Tiri dolcemente la fodera in tessuto e il ripieno del cuscino verso l'esterno.

4



English

Straighten the edges of the fabric cover.

Deutsch

Richten Sie die Ränder der Stoffhülle aus.

Español

Enderece los bordes de la funda de tela.

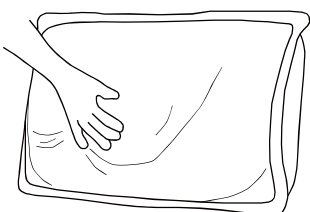
Français

Redressez les bords de la housse en tissu.

Italiano

Rettificare i bordi della fodera in tessuto.

5



English

Lightly pat the surface to smooth wrinkles.

Deutsch

Sanft die Oberfläche klopfen, um Falten zu glätten.

Español

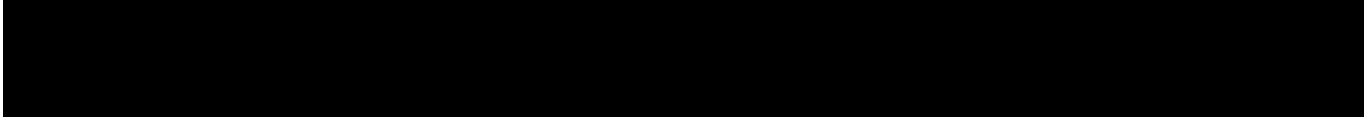
Golpea ligeramente la superficie para alisar las arrugas.

Français

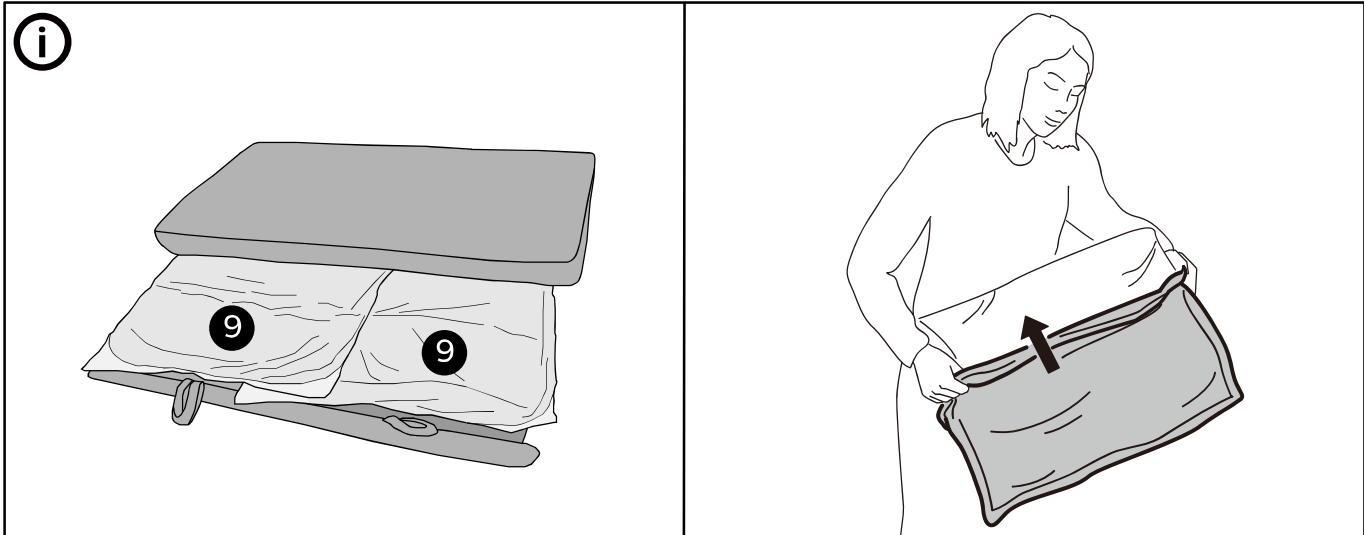
Tapez légèrement la surface pour lisser les rides.

Italiano

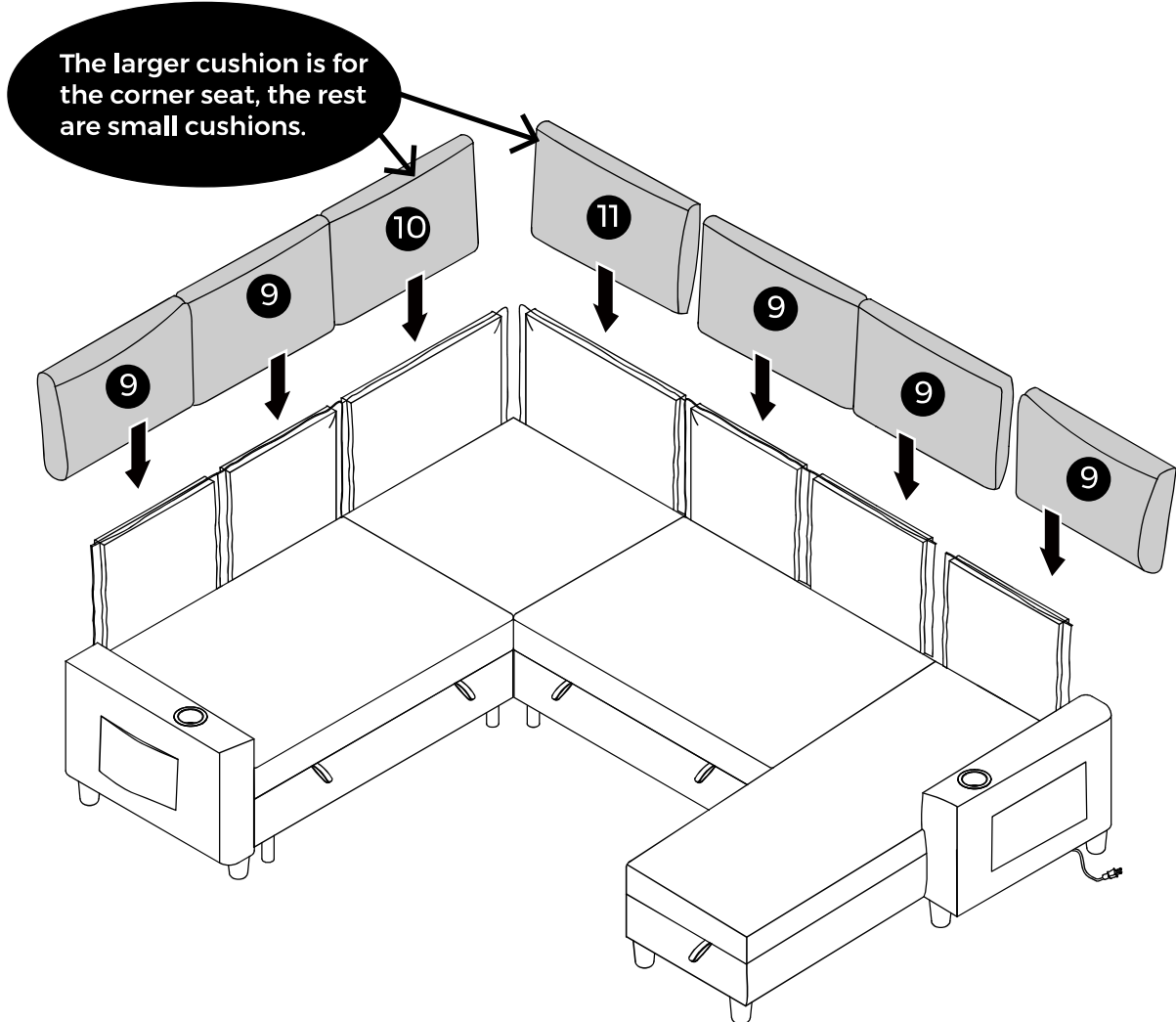
Sbatte leggermente la superficie per stirare le pieghe.

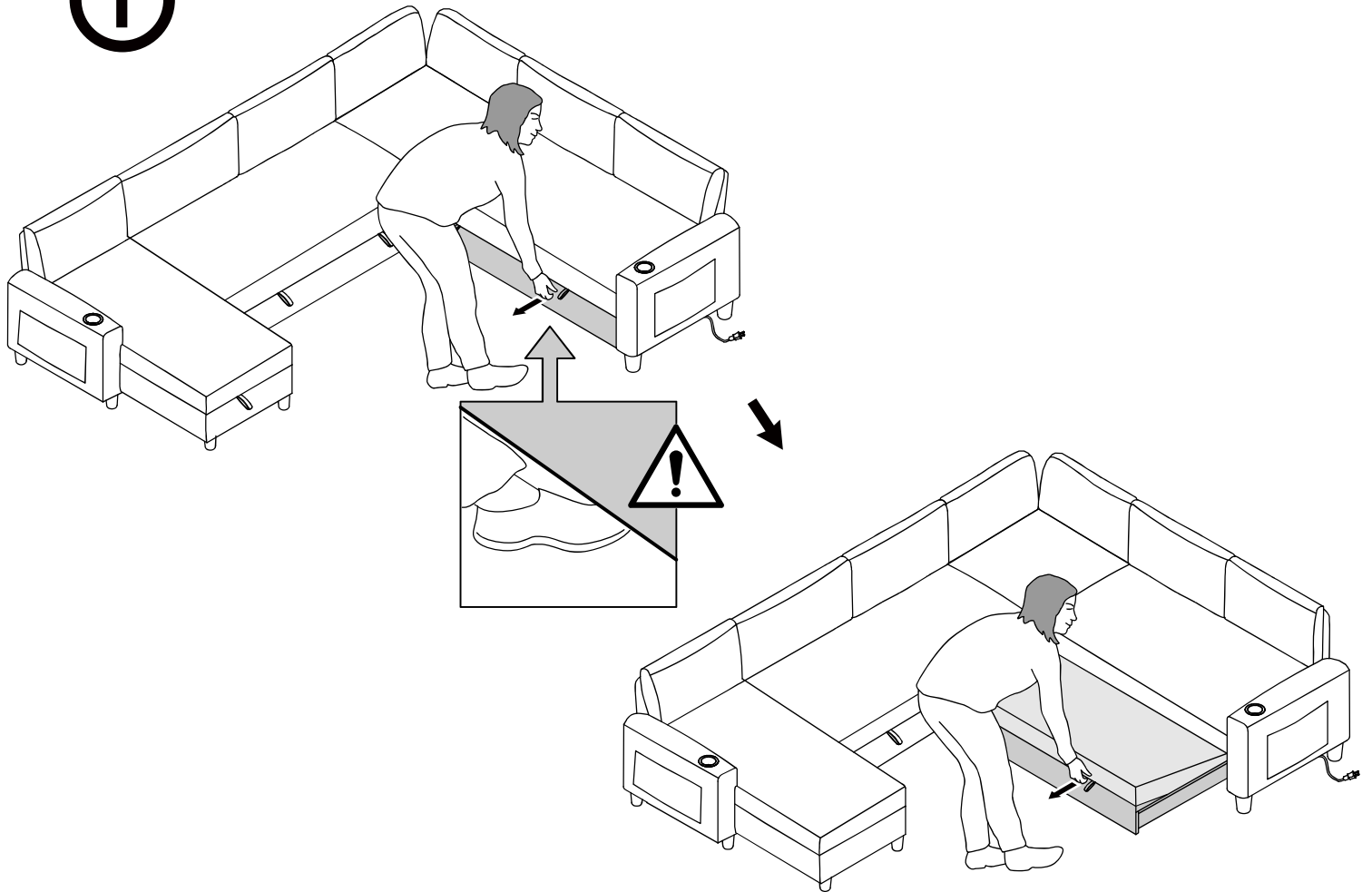


13

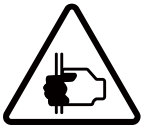


Please note that the backrest cushion is stored inside the seat frame. However, the backrest cushion for the pull-out bed is compressed and placed separately in the drawer of the pull-out bed. It needs to be covered with the fabric cover before use.

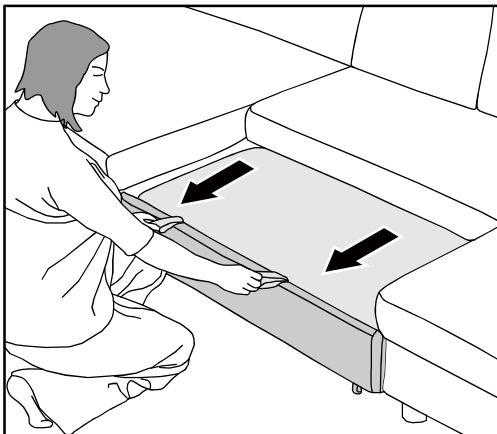




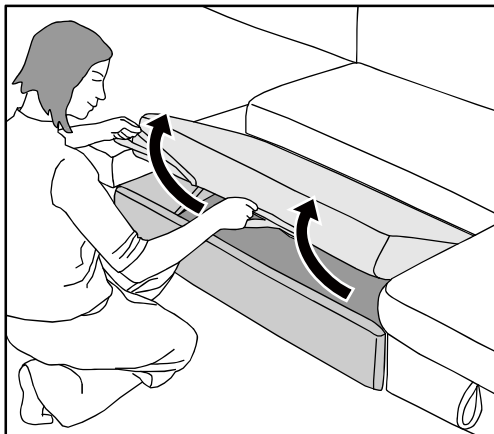
CAUTION



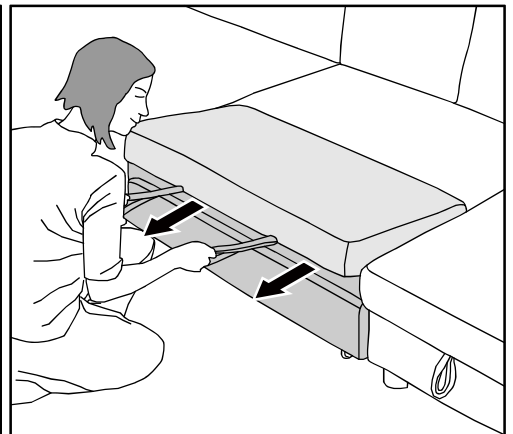
PINCH POINT
RISQUE DE PINCEMENT
PUNTO DE PELLIZCO



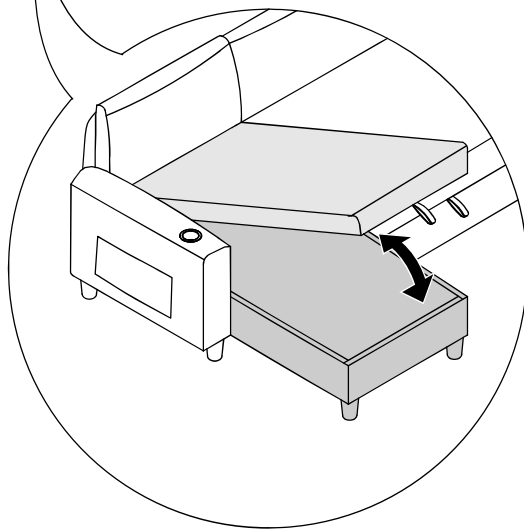
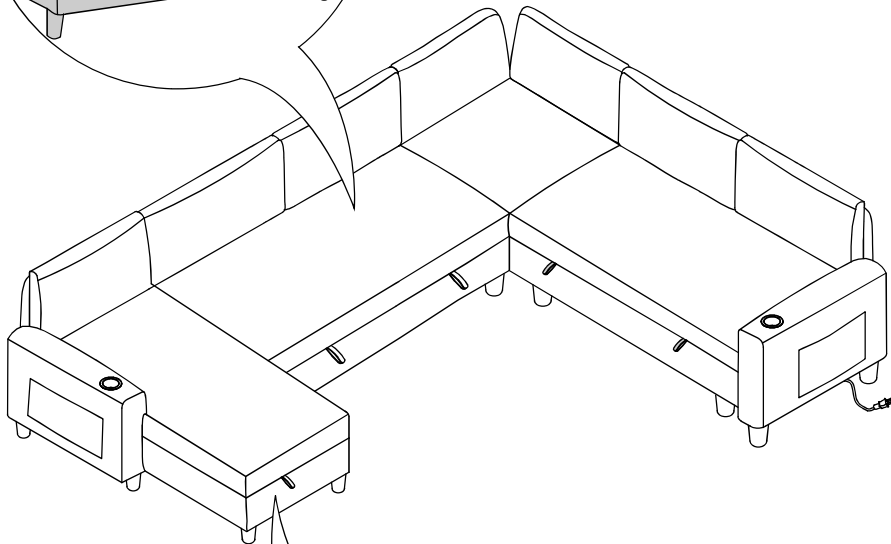
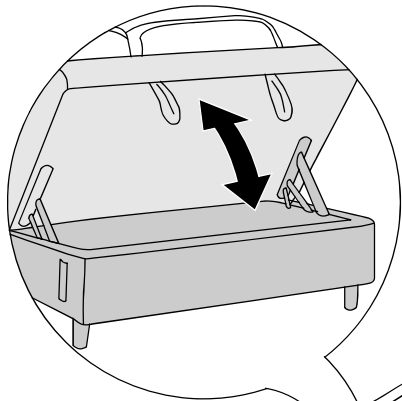
Step 1: Pull it out with both hands

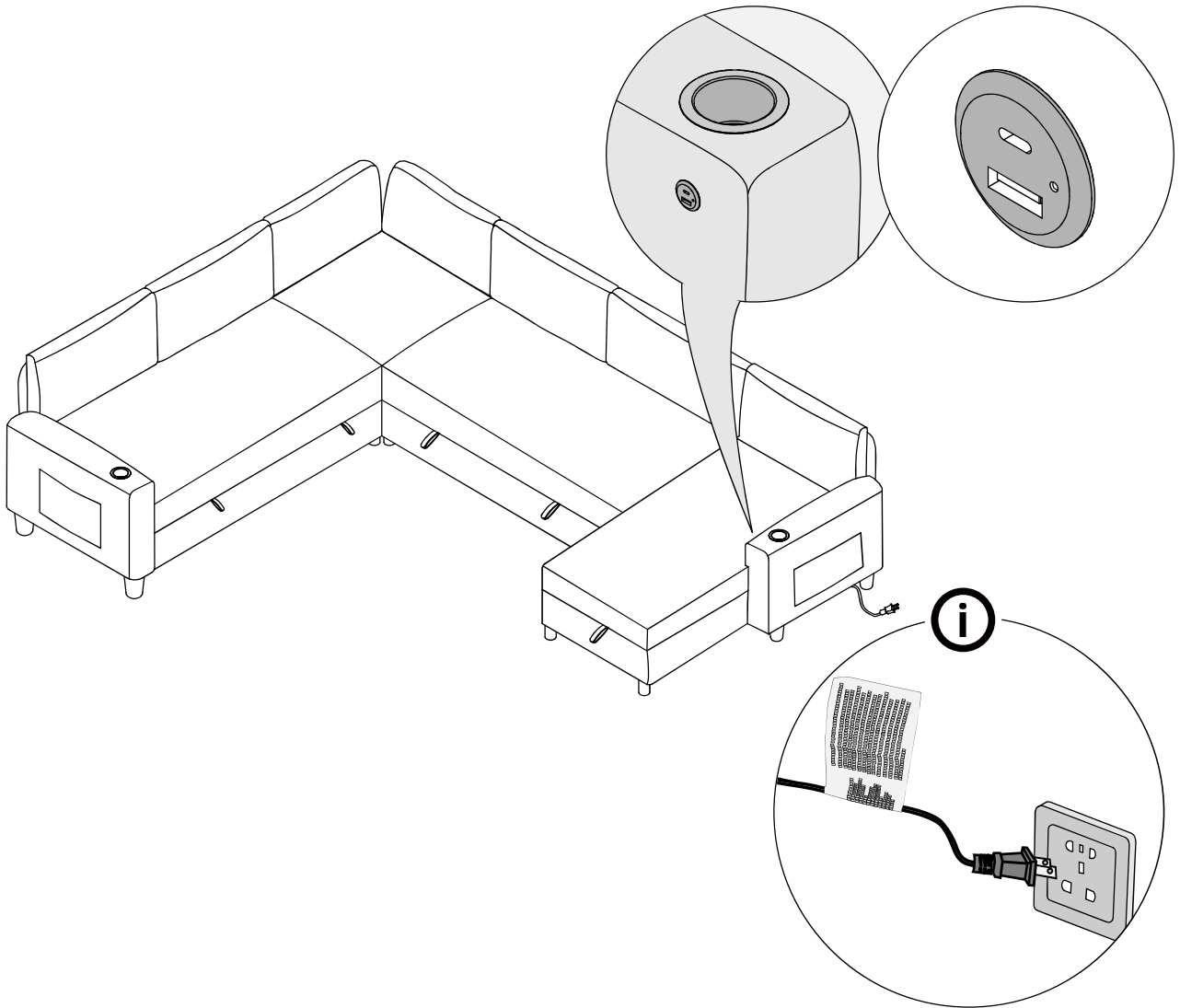


Step 2: Lift it up



Step 3: Press down and lay it flat.

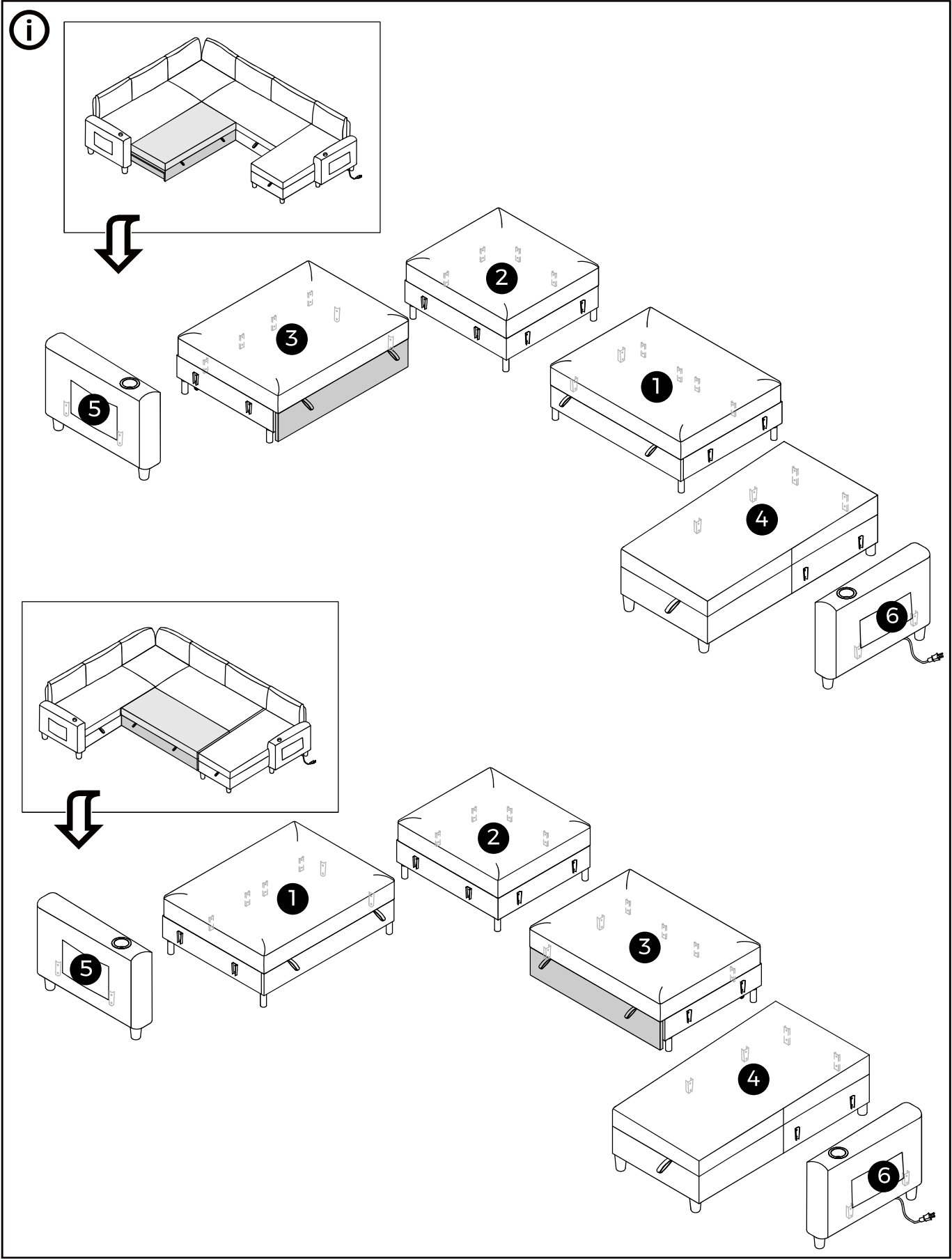


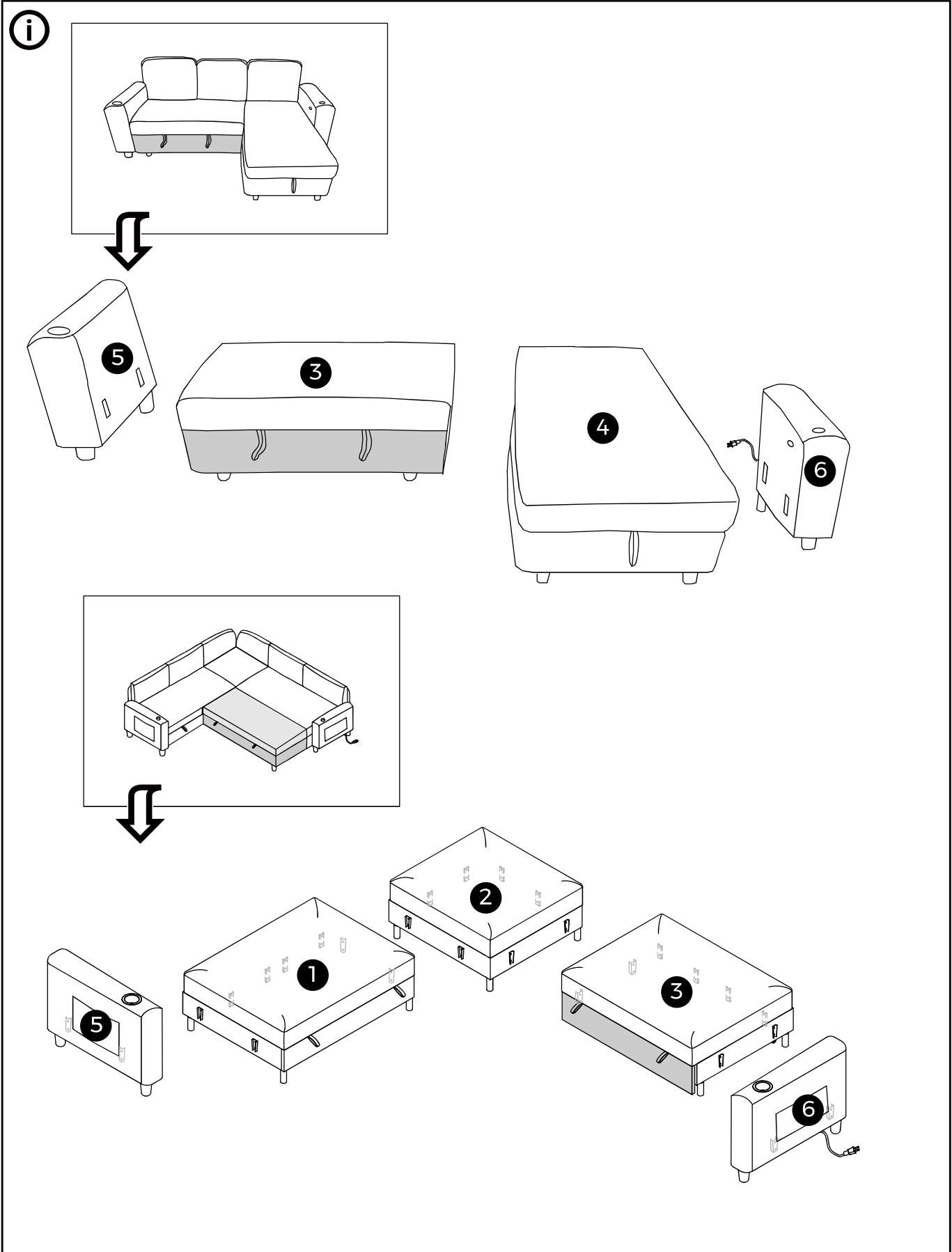


 If you still have questions about the installation, you can visit the following website to watch the installation video for this product.

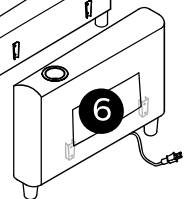
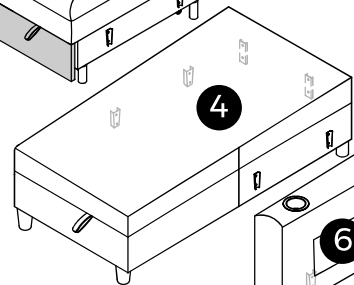
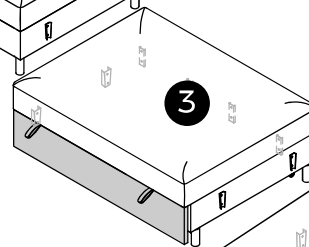
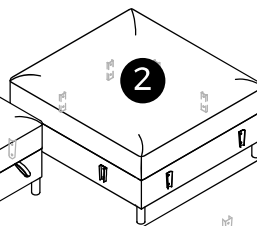
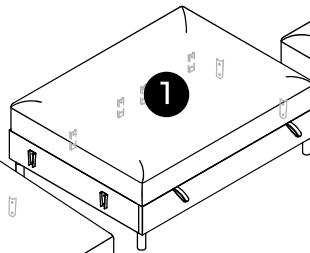
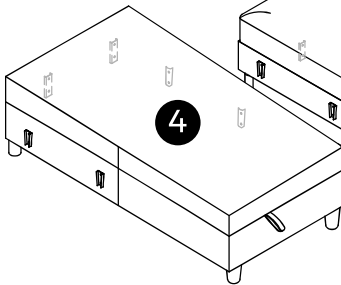
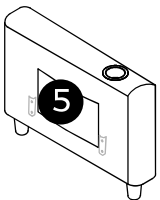
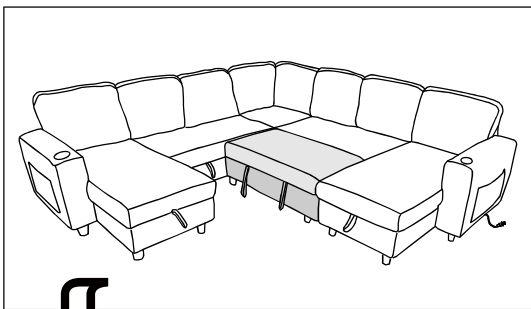
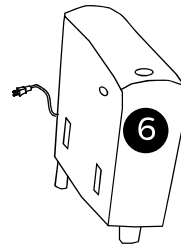
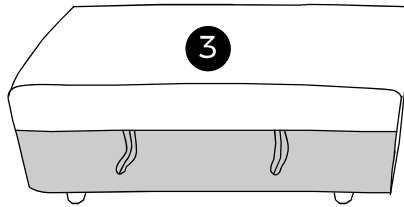
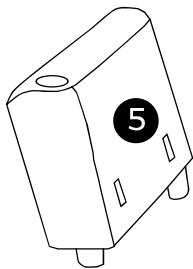
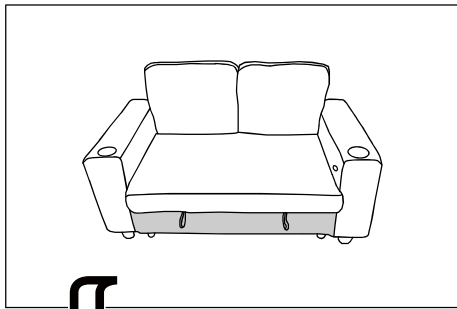


<https://youtube/vwYP5k688Hk>





i



i

