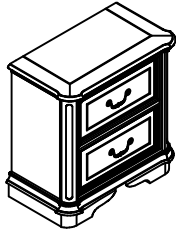


ASSEMBLY INSTUCTION FOR ACME FURNITURE

MODEL #BD01649 NIGHTSTAND

Thank you for purchasing the quality product. Be sure to check all packing material carefully for small parts which may have come loose inside the carton during shipment. Separate, identify and count all parts and metal hardware. Compare with all parts list to be sure all parts are present. If any part(s) are missing or damaged, please contact your local furniture dealer. For efficient and speedy service, please indicate the model number and code letter of part(s) needed.

*****Do not fully tighten screws until fully assembled*****

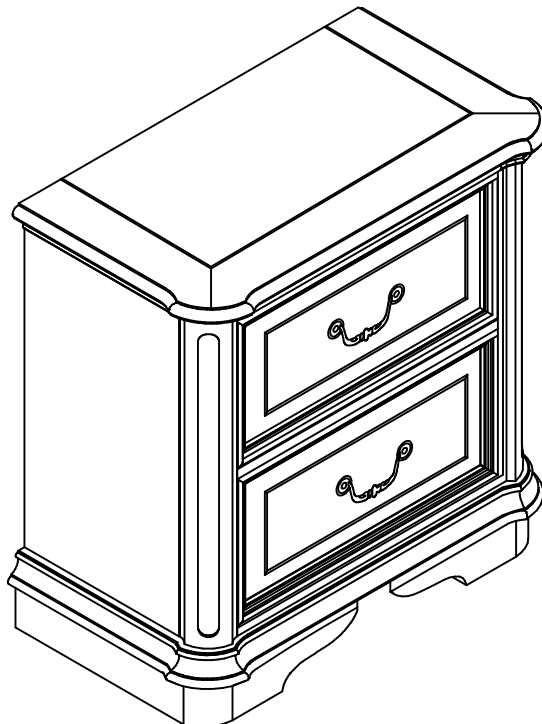
	COMPONENT PARTS	
DESCRIPTION	PART NAME	Q'TY (PCS)
①	Nightstand 	1

HARDWARES REQUIRED

Ⓐ



Tipping Restraint



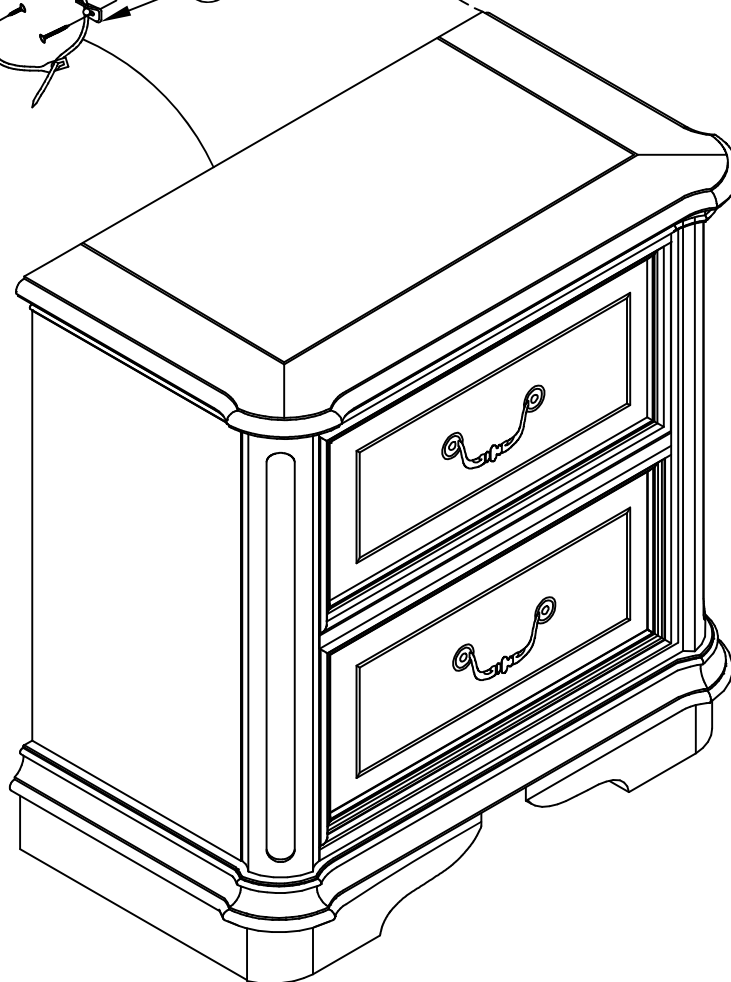
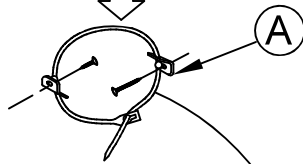
Attention:

***** Some number parts listed on the instruction sheet may not be in parts bag as they may already be assembled. Carefully check parts and packing materials prior to ordering replacements.**

How to assemble

★ Remark : there is a tip restraint kit provided on the back of this product. Please read the directions thoroughly and install immediately when placed in home.

Anti Tipping Hardware



ASSEMBLY COMPLETED