

Wyndham 4 features integral armrests

Designer Collection Tubs

Wyndham 4

MODEL # 19

70.75" x 35.75" x 19"

GENERAL SPECIFICATIONS

Material - Acrylic

Installation - Drop-in (cannot be undermounted)

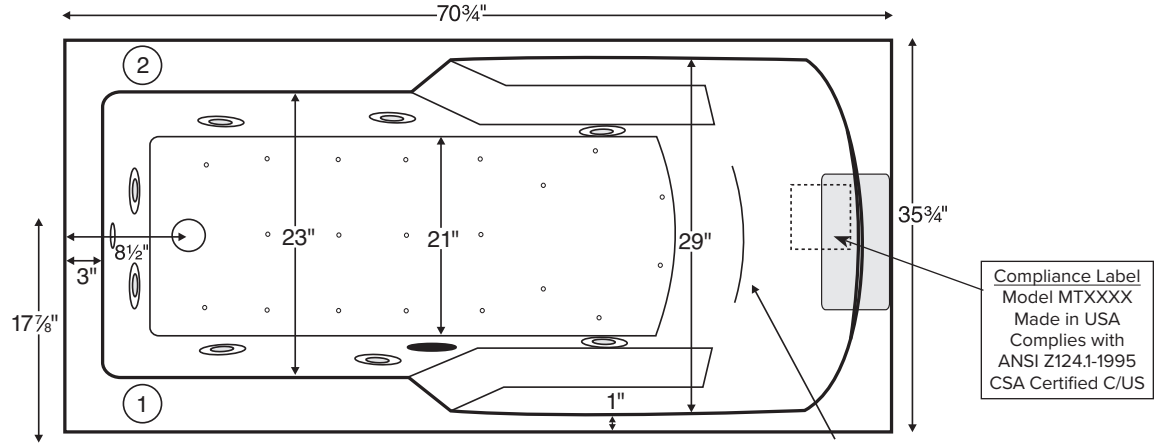
Plumbed Weight - 125 lbs / 57 kg

Soaker Weight - 100 lbs / 45 kg

Average Fill - 39 gal to above jet level

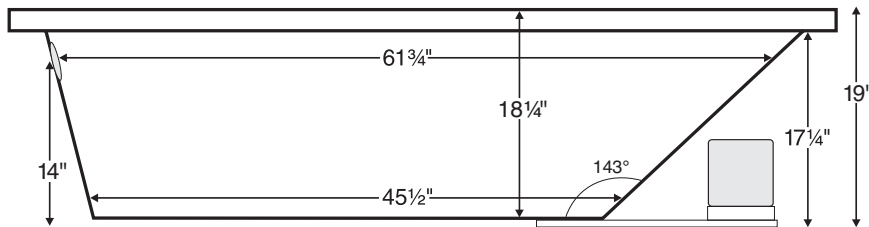
Maximum Fill - 65 gal to overflow

NOTE: Filling this tub to the maximum may require an above average size or dedicated water heater.



Numbered areas on tub deck represent possible locations to install cleaning systems, faucets and other fixtures.

Shown with Air Massage and Ultra Whirlpool Package.



IMPORTANT ORDERING & INSTALLATION INFORMATION

- Before ordering or installing, please consider future access to equipment.
- Add proper bedding compound to fully level and support bottom of tub.
- When equipped with an air bath package, pre-leveled foam base or frame system, overall tub height is increased by approx. 2-3" and is designed to install on a flat, level subfloor.
- Radiance placed on airbath floor will affect placement of air jets.
- System components may extend beyond the perimeter of deck.
- Please measure tub **on-site** before building tub decking.
- Advise MTI when planning to use a glass enclosure. Relocation of controls may be necessary.
- Suction and control locations may vary.

ELECTRICAL COMPONENTS & SPECIFICATIONS

Hydrotherapy Package	Components Included	GFCI / 110V
Standard Whirlpool	2-bhp pump	1-15 amp
Stream Bath	1/2-bhp	1-15 amp
Microbubbles	Microbubbles pump	1-15 amp
Ultra Whirlpool	3-bhp pump, inline heater, ozone	2-15 amp
Air Massage	heated blower	1-15 amp
Air Massage Elite	heated blower, chromatherapy	1-15 amp
Air Massage w/ Stream Bath	1/2-bhp pump, heated blower	1-15 amp
Air Massage Elite w/ Stream Bath	1/2-bhp pump, heated blower, chromatherapy	1-15 amp

Hydrotherapy Package	Components Included	GFCI / 110V
Microbubbles with Air	Microbubbles pump, heated blower	1-20 amp
Microbubbles with Air Elite	Microbubbles pump, heated blower, chromatherapy	2-15 amp
Air with Whirlpool	2-bhp pump, heated blower	2-15 amp
Air with Ultra Whirlpool	3-bhp pump, inline heater, heated blower, ozone	2-20 amp
Air Elite with Whirlpool	2-bhp pump, heated blower, chromatherapy	2-15 amp
Air Elite with Ultra Whirlpool	3-bhp pump, inline heater, heated blower, chromatherapy, ozone	2-20 amp

See the Installation & Operation Manual for more details.
MTI's Customer Service Monday-Friday 8am-6pm EST
800-783-8827 or service@mtibaths.com

- Before discarding tub crate, check for accessories that may be packaged inside.
- All product measurements are $\pm 1/2"$.
- Specifications and configurations are subject to change without notice.
- Measurements herein supersede all others published prior to publication date below.



Wyndham 4

MODEL # 19

70.75" x 35.75" x 19"

- Aromatherapy is eliminated for undermount applications
- Air Baths, Pre-Leveled Foam Base or Frame Systems increase overall height by 2-3".

Hydrotherapy Packages	Package Contents	Part #	MSRP
Soaker	Soaking bath - no jets	S19	\$2,050
Stream Bath	6 side vents, 2 end vents, 1/2 bhp pump	SM19	\$4,350
Microbubbles	1 microbubbles infusion port and pump	M19	\$5,000
Air Massage	20 air jets, heated air blower, Aromatherapy, pre-leveled foam base	AST19	\$5,250
Air Massage Elite	30 air jets, heated air blower, Aromatherapy, Chromotherapy LED lighting, Spa Mode, pre-leveled foam base	AE19	\$7,050
Stream Bath with Air Massage	6 side vents, 2 end vents, 1/2 bhp pump, 20 air jets, heated air blower, Aromatherapy, pre-leveled foam base	ASTSM19	\$7,100
Stream Bath with Air Massage Elite	6 side vents, 2 end vents, 1/2 bhp pump, 30 air jets, heated air blower, Aromatherapy, Chromotherapy LED lighting, Spa Mode, pre-leveled foam base	AESM19	\$8,950
Microbubbles with Air Massage	1 microbubbles infusion port and pump, 20 air jets, heated air blower, Aromatherapy, pre-leveled foam base	ASTM19	\$7,300
Microbubbles with Air Massage Elite	1 microbubbles infusion port and pump, 30 air jets, heated air blower, Aromatherapy, Chromotherapy LED lighting, Spa Mode, pre-leveled foam base	AEM19	\$8,650
Standard Whirlpool	6 point-massage jets, 2-bhp pump	P19	\$4,150
Ultra Whirlpool	8 point-massage jets, 3-bhp pump, inline heater, Ozone	P19U	\$5,900
Air Massage with Standard Whirlpool	6 point-massage jets, 2-bhp pump, 20 air jets, heated air blower, Aromatherapy, pre-leveled foam base	AW19	\$7,500
Air Massage with Ultra Whirlpool	8 point-massage jets, 3-bhp pump, inline heater, 20 air jets, heated air blower, Aromatherapy, Ozone, pre-leveled foam base	AU19	\$9,250
Air Massage Elite with Standard Whirlpool	6 point-massage jets, 2-bhp pump, 30 air jets, heated air blower, Aromatherapy, Chromotherapy LED lighting, Spa Mode, pre-leveled foam base	AEAP19	\$8,900
Air Massage Elite with Ultra Whirlpool	8 point-massage jets, 3-bhp pump, inline heater, 30 air jets, heated air blower, Aromatherapy, Ozone, Chromotherapy LED lighting, Spa Mode, pre-leveled foam base	AEAP19U	\$10,900

RECOMMENDED SENSORY THERAPIES

Chromotherapy

(LE) **\$695** underwater lighting
2 LED lights included

Audiotherapy

(STEREOBT) **\$1,200** 2 transducers with bluetooth and amplifier
(BTREMOTE) **\$490** bluetooth remote

(STEREOH202) **\$1,450** 4 transducers amplifier not included

Thermotherapy

(RAD100) **\$1,400** Radiance®
2 heated zones included
(HTISOAK) **\$785**



For more information on options and accessories go to Acrylic Tub Options on mtibaths.com

Options
<i>Must be ordered at time of purchase.</i>
Standard Colors White (CWH) Biscuit (CBS) <i>Please call for availability of special colors.</i>
Quick Ship reduces lead time (QSPRI) \$380 <i>Please call for availability</i>
Inline Heater maintains water temperature For Soaker or Air Baths (HTISOAK) \$785 Includes a recirculating pump <i>Cannot be combined with Microbubbles.</i>
Virtual Spout high-flow integrated tub filler (FPMJ) \$385 <i>Must specify stub-out location on order. See page 1 for location options.</i>
Grab Bars from \$275 <i>Selections vary. Personalization available.</i>
Textured, Slip-Resistant Bottom (TXTBTM) \$100 Compliant with ASTM C 1028-07 friction coefficient.

Accessories
Pillows from \$145
Teak Bath Mat (TKMAT3018) \$650 <i>Custom sizes also available. Contact MTI for details and pricing.</i>
Teak Tub Tray \$400 Slatted (TK-TRAY1), Solid (TK-TRAY2)

Installation Options *Must be ordered at time of purchase.*

Pre-Leveled Foam Base (PLFOAM) \$255 All airbaths include a pre-leveled foam base.
Pre-Leveled Frame and Foam Base (PLF) \$630
Pre-Leveled Frame and Foam Base with Skirting <i>For pricing and details go to mtibaths.com</i>

Hydrotherapy Equipment & Cleaning Systems
<i>Must be ordered at time of purchase.</i>
Inline Heater maintains water temperature For Whirlpools or Stream Bath (HTI) \$545 Uses existing pump <i>Cannot be combined with Microbubbles.</i>
Whirlpool Cleaning Systems Fill-Flush (FFSO) \$560 Simple Touch (FFE) \$915 <i>Must specify stub-out location on order. See page 1 for location options.</i>
Whirlpool Jets Pump upgrade may be advisable for optimal performance when adding jets. Point-Massage Jet Extra Point-Massage Jet (EJ) \$300 Micro-Jet from \$345 <i>Jet styles and packages vary. Personalization available.</i>
Pump Upgrade - 3-bhp (PUMP3) \$300
Jet Trim Kits For Standard Whirlpool Chrome (TRC) \$235 , Brushed Nickel (TRBN) \$595 For Ultra Whirlpool Chrome (TRCU) \$320 , Brushed Nickel (TRBNU) \$820 <i>Other finishes available.</i>
Ozonator (OZONE) \$490 <i>Cannot be added to soakers or airbaths without combination hydrotherapy package or HTISOAK.</i>

Drains & Overflow Kits *Toe Tap Rectangular Overflow must be ordered at time of purchase*

Cable Driven Drain Finishes – PVC Drain Kit White/Biscuit (WOCDW) \$420 Chrome (WOC) \$390 Brushed Nickel (WOCDBN) \$395 Polished Nickel (WOCDPN) \$515 Oil-Rubbed Bronze+ (WOCDOR) \$525 Polished Brass (WOCDBR) \$495 Special Finishes* (WOCDSF) \$1,080 <i>MTI does not offer a brass body cable drain kit.</i>	Toe Tap Round Overflow – PVC Drain Kit Chrome (WOTTC) \$360 Brushed Nickel (WOTTBN) \$365 Polished Nickel (WOTTPN) \$365 Special Finishes* (WOTTSF) \$1,040 Round Overflow – Solid Brass Drain Chrome (WOTTSBC) \$770 Brushed Nickel (WOTTSBBN) \$770 Polished Nickel (WOTTSBPN) \$770	Toe Tap Rectangular Overflow – PVC Drain Kit Chrome (WOTRC) \$380 Brushed Nickel (WOTRBN) \$390 White (WOTRW) \$420 Lift & Turn Drain Finishes – PVC Drain Kit Chrome (WOC) \$175 White (WOW) \$235 Brushed Nickel (WOBN) \$290
--	---	--

Slim-Line Overflow with Toe Tap Drain *Must be ordered at time of purchase.*

<ul style="list-style-type: none"> Low profile overflow is factory installed Overflow measures 4.5" x 1" Provides a deeper soak Not available for commercial applications 	Slim-Line Overflow with Toe Tap Drain PVC Drain Chrome (SLOTC) \$475 Brushed Nickel (SLOTBN) \$505 Polished Nickel (SLOTPN) \$530 White (SLOTW) \$400	Slim-Line Overflow with Toe Tap Drain Solid Brass Drain Chrome (SLOTSBC) \$885 Brushed Nickel (SLOTSBBN) \$890 Polished Nickel (SLOTSBPN) \$890 White (SLOTSBW) \$920
---	---	---

* MTI has selected an oil-rubbed bronze finish that is compatible with Delta and many other manufacturers. To ensure best match, order as a Special Finish and submit a sample.

* Allow 2-4 weeks lead time for Special Finishes. Send sample for best match.

