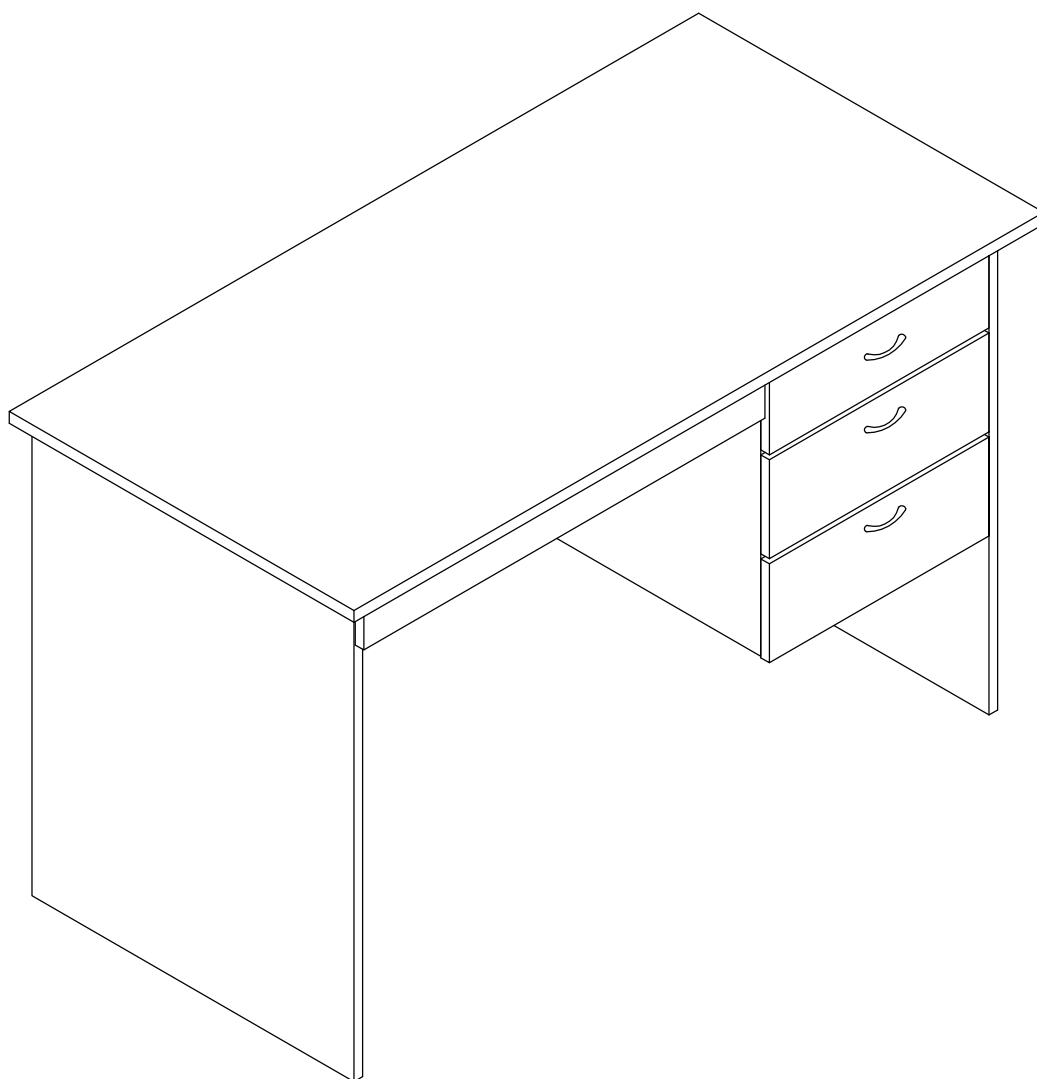
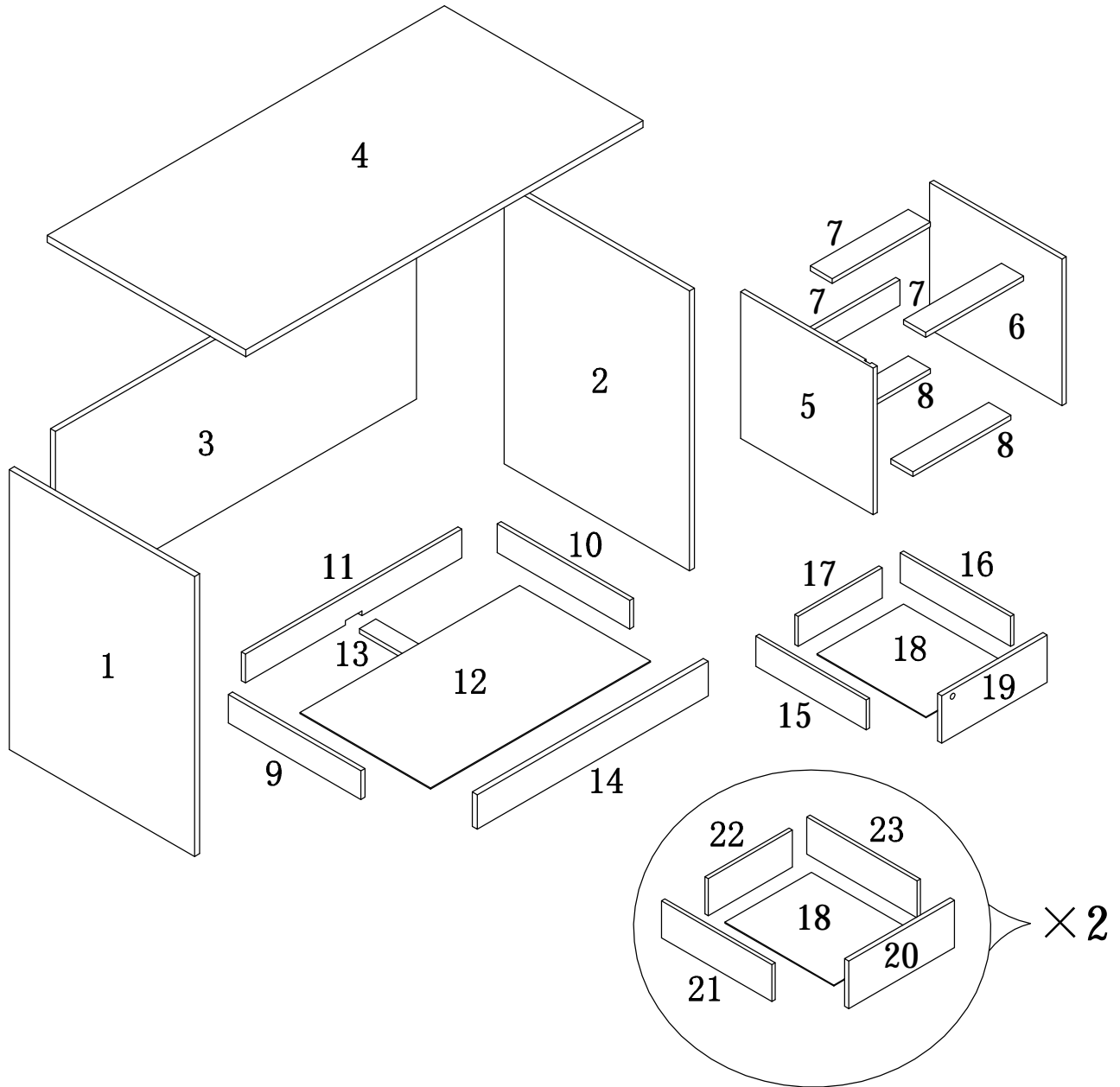


# ASSEMBLY INSTRUCTION

---


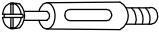
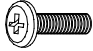
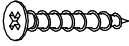
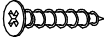

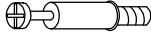






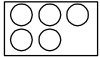



# ASSEMBLY INSTRUCTION

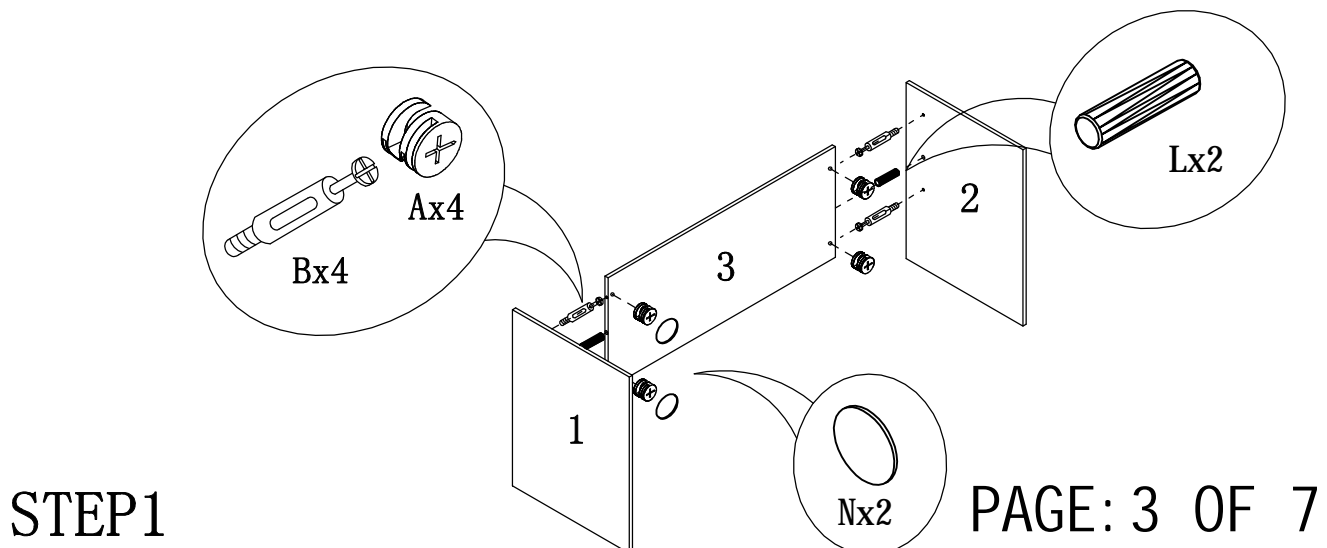


(1)	1pc	(9)	1pc	(17)	1pc
(2)	1pc	(10)	1pc	(18)	3pcs
(3)	1pc	(11)	1pc	(19)	1pc
(4)	1pc	(12)	1pc	(20)	2pcs
(5)	1pc	(13)	1pc	(21)	2pcs
(6)	1pc	(14)	1pc	(22)	2pcs
(7)	3pcs	(15)	1pc	(23)	2pcs
(8)	2pcs	(16)	1pc		

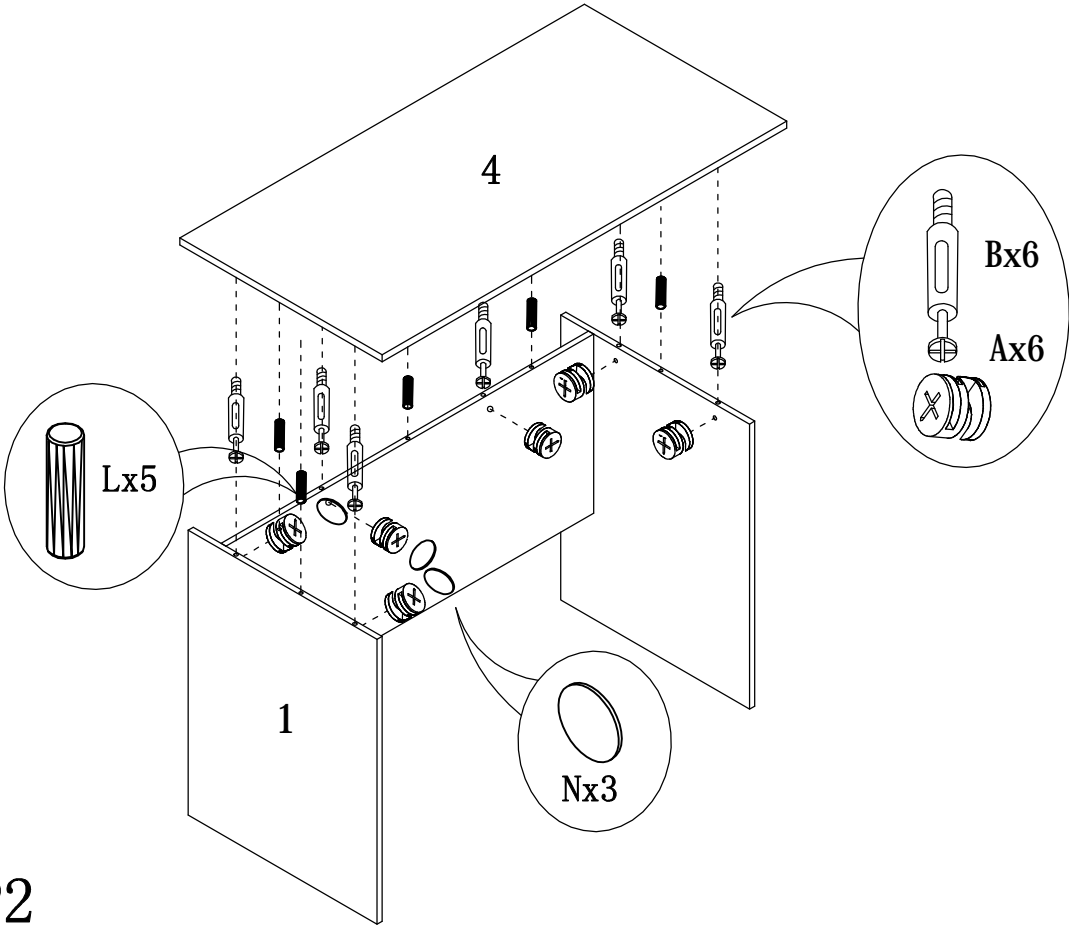
# HARDWARE IDENTIFICATION

A		$\phi 15$	20pcs
B		L29	20pcs
C		$\phi 6 \times 25$	6pcs
D		$\phi 4 \times 30$	16pcs
E		$\phi 4 \times 25$	2pcs
F		$\phi 12$	16pcs
G		L20	16pcs
H		64mm	3pcs
I		$\phi 4 \times 22$	6pcs
J			1pc
K		$\phi 3.5 \times 12$	2pcs
L		$\phi 8 \times 25$	17pcs
M		$\phi 6 \times 30$	2pcs
N		$\phi 18$	5pcs
P		It's used for stick the stopper to the connecting hole firmly	1pc

## ASSEMBLY INSTRUCTION

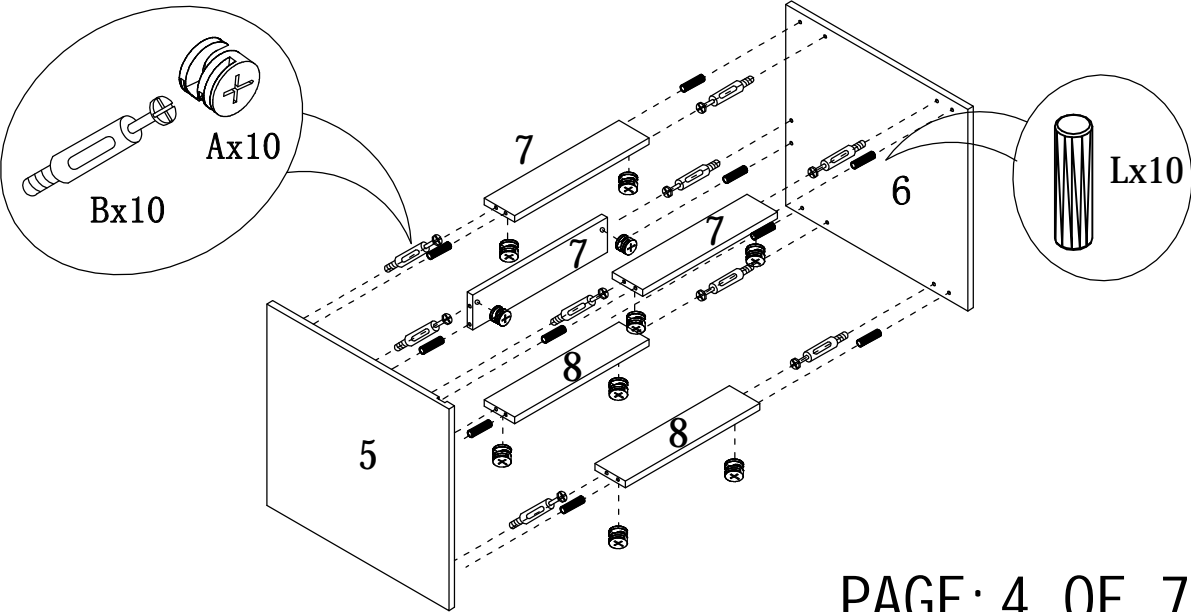


# ASSEMBLY INSTRUCTION

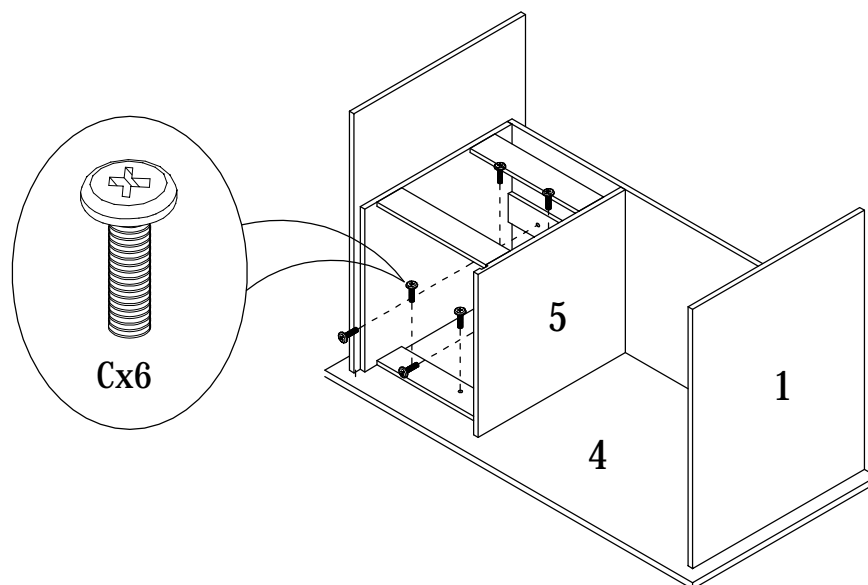


STEP2

STEP3

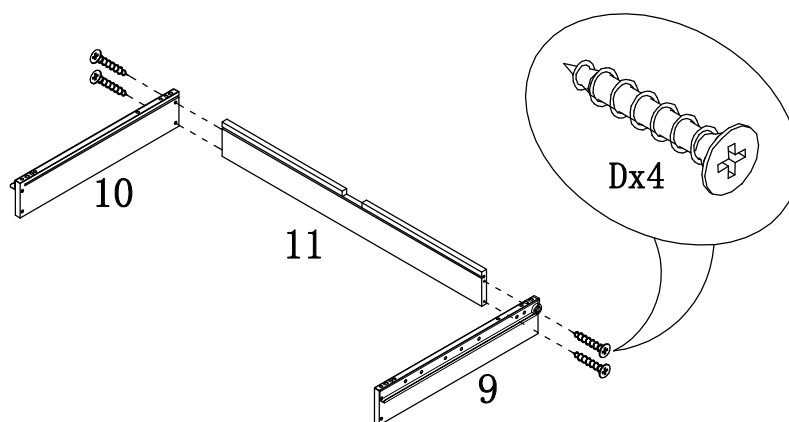


# ASSEMBLY INSTRUCTION

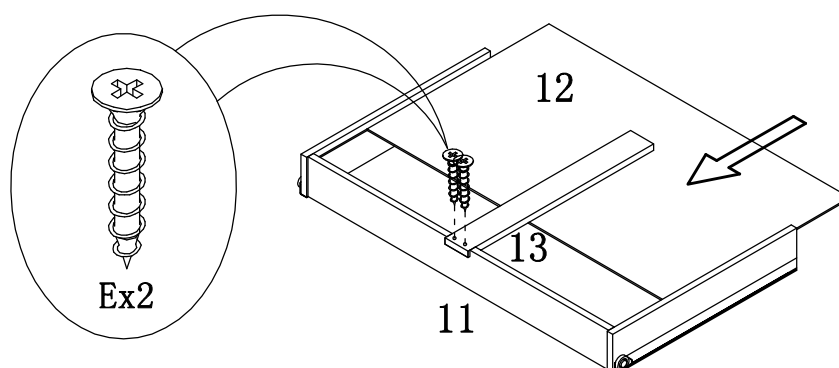


STEP4

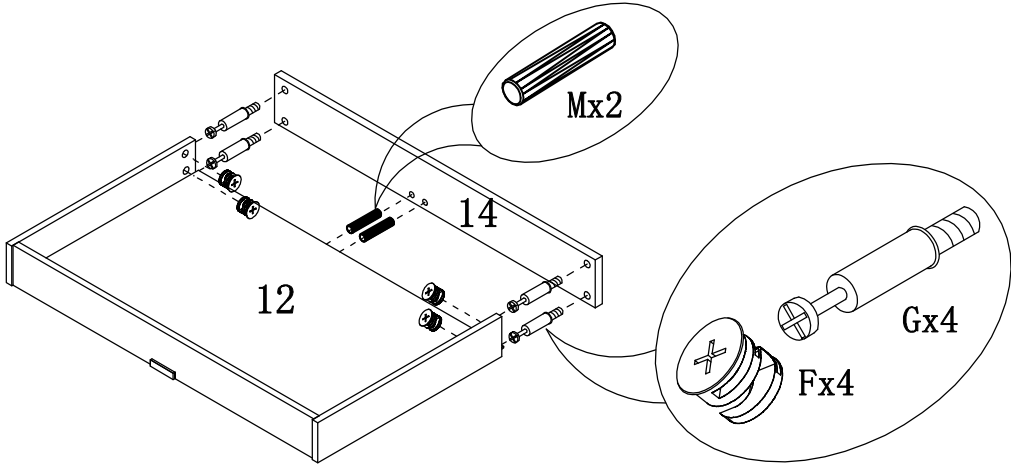
STEP5



STEP6

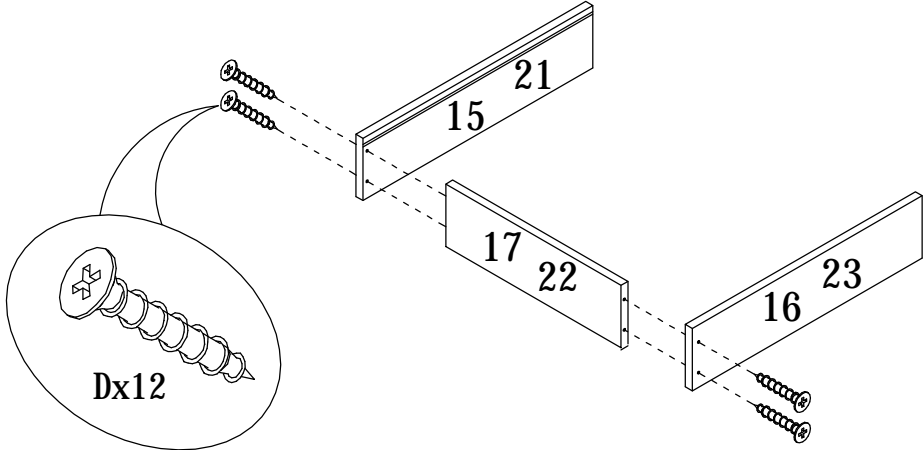


# ASSEMBLY INSTRUCTION

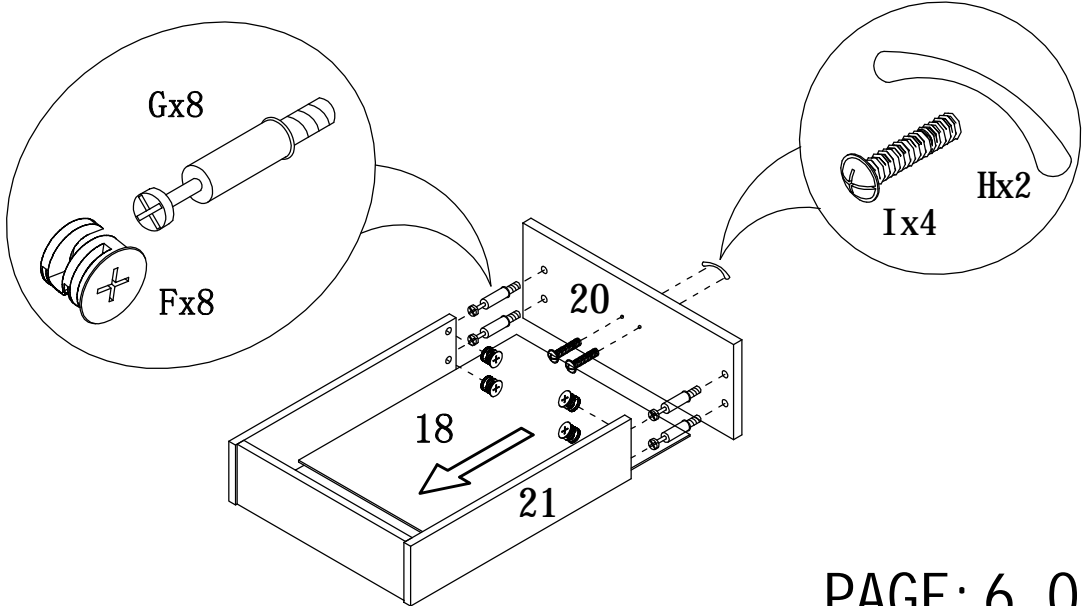


STEP7

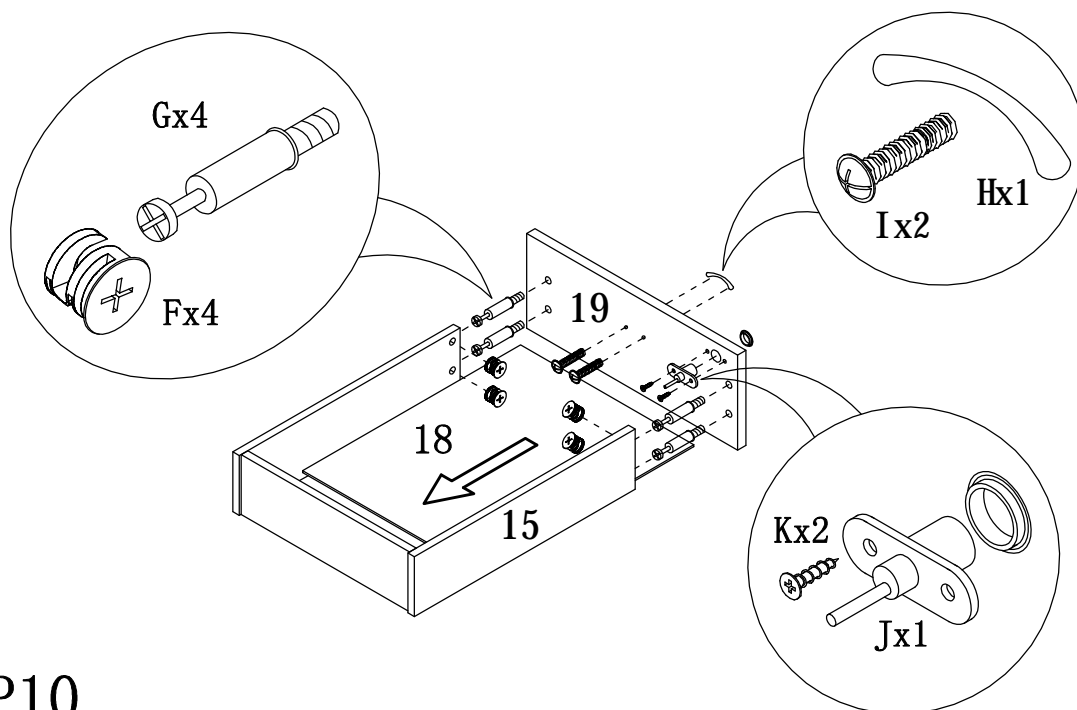
STEP8



STEP9



# ASSEMBLY INSTRUCTION



STEP10

STEP11

