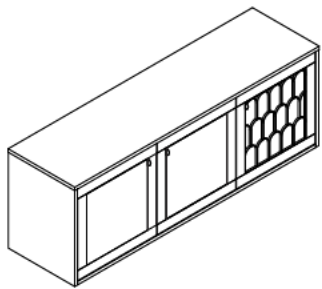
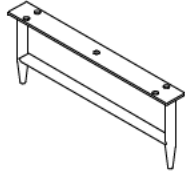


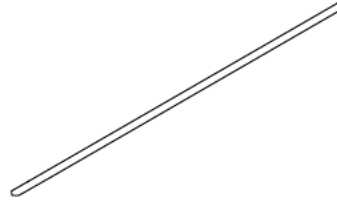
Product Assembly Instructions



A: Chest x1



B: Leg x2



C: Metal bar x1



D: Bolt M8*20mm x10



E: Washer x12

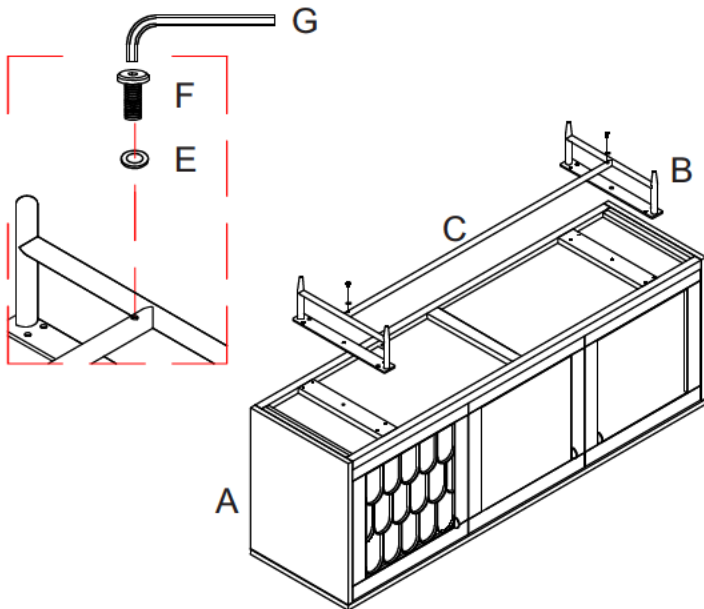


F: Bolt M6*15mm x2

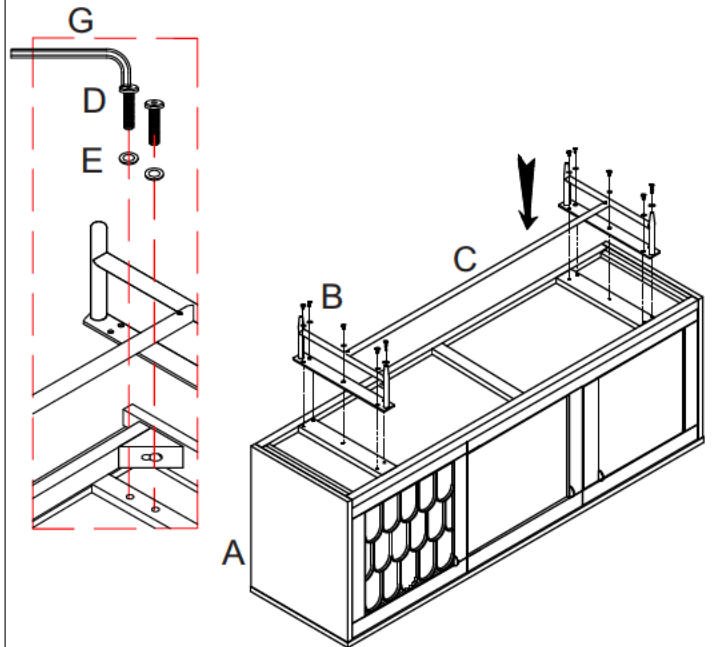


G: Allen wrench x1

STEP 1



STEP 2



STEP 3

