










Assembly Instructions

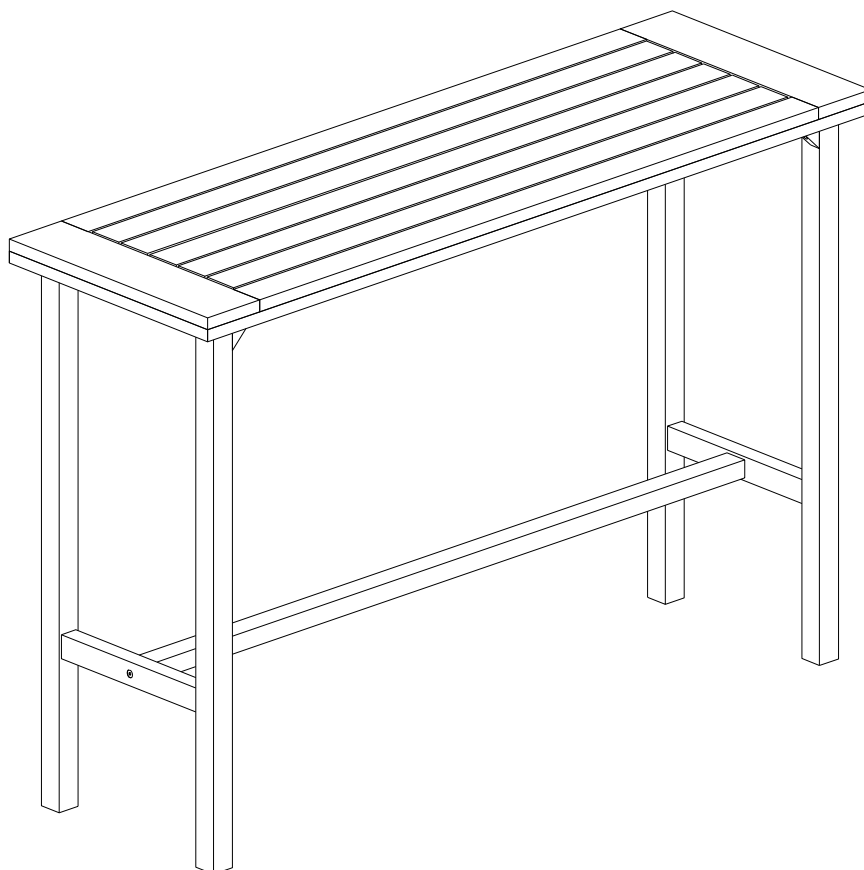
CAUTION: You must read this before you proceed

Care & Maintenance

- ⊘  • Not for commercial use. For residential use only
- ⊘  • Do not put hot items directly on furniture surface.
- ⊘  • Do not clean furniture with harsh cleansers or polish.
- ✓  • To obtain the longest lifespan of your outdoor products, minimizing exposure to direct sunlight is recommended.
- ⊘  • Children should not climb or jump on the furniture.
- ⊘  • Do not write on furniture without a padded barrier to protect the surface.
- ✓  • To obtain the longest lifespan of your outdoor products, avoid extended and lengthy exposure to rain, snow, and direct sunshine. Whenever possible cover the product and /or place under patio or awnings.
- ⊘  • Stains may be removed with mild soap solution and damp cloth.
- ✓  • Dust and pick-up spills using a clean, non-colored, lint-free cloth.

ASSEMBLY INSTRUCTION

TABLE

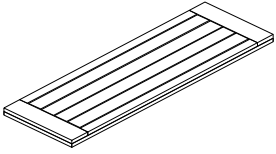
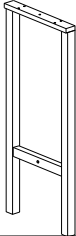
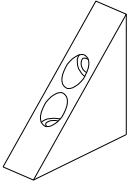
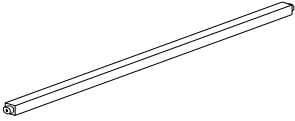


N704P383162





Notice:

- 1. 50% Tighten before fixing all screws, Allen wrench is recommended instead of an electric drill.**
- 2. Place the item on a flat ground to adjust and make sure it remains stable.**
- 3. Tighten up all screws with tools gradually.**
- 4. If the screws are not aligned with holes during assembly, please loosen all the other screws to 50% and continue the assembly process.**
- 5. If the item is not stable, please loosen all the screws, adjust it on a flat ground and tighten up all screws again.**
- 6. Note : If one or some screws are fully tightened during assembly, chances are the others will not be aligned with holes. In addition, all the holes are designed to be relatively larger to provide more space for the adjustment of the screws.**

Parts List

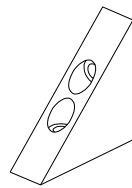
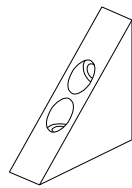
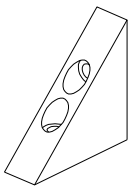
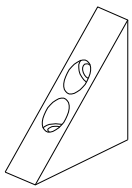
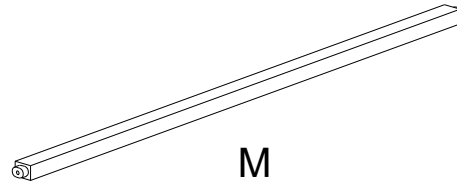
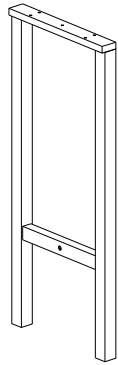
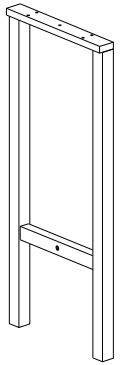
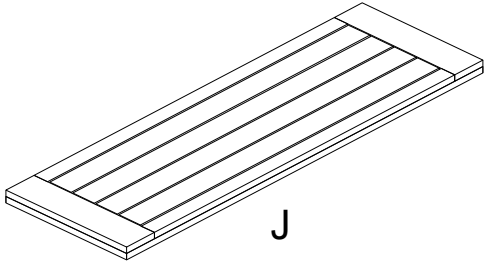
Label	Picture	Description	QTY
J		Table Top	1
K		Table Leg	2
L		Corner Block	4
M		Table Leg Connector	1

Hardware

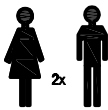
Label	Picture	Description	QTY
⑤		Screw (M6x60mm)	3
⑥		Bolt (M6x30mm)	12
⑦		Screw (M6x35mm)	10
⑧		Allen Wrench	1

Assembly Steps

Before Beginning Assembly



- Read instructions, cover to cover.



- Have 2 adults on hand for assembly.



- Do not assemble on flooring or carpet.



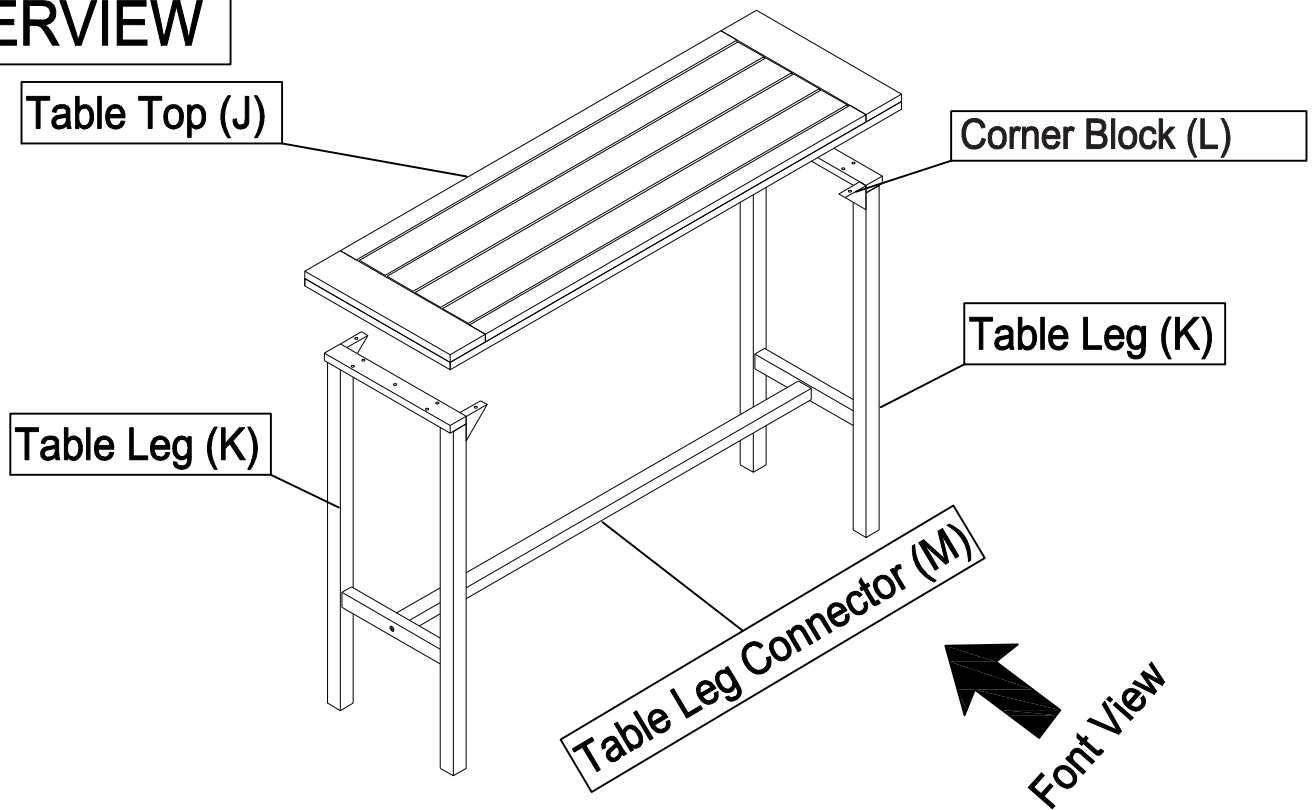
- Assemble on a clean non-marring surface (packing foam).



- Save all packaging until finished.

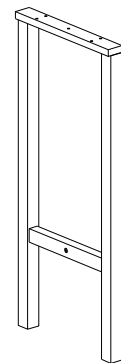
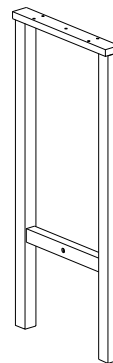
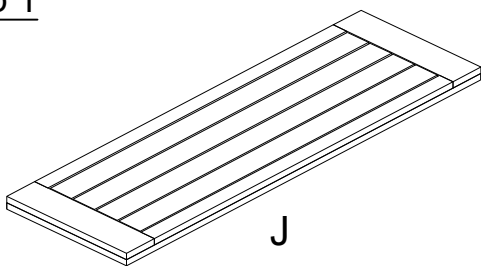
Assembly Steps

OVERVIEW



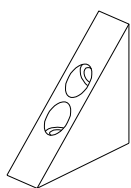
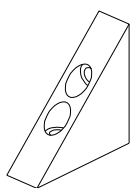
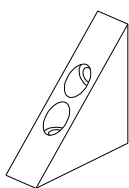
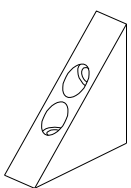
This Table has multiple parts and may require up to some 30 minutes to assemble. To give you an overview of the Table, the above picture is to help you put the various parts into perspective. Please read through the instructions below to familiarise yourself with the parts and steps before assembly.

Step 1



K

K

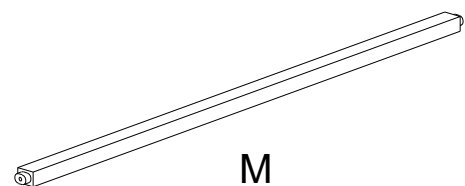


L

L

L

L



M

Unpack and place all parts on a clean, non-marring surface.

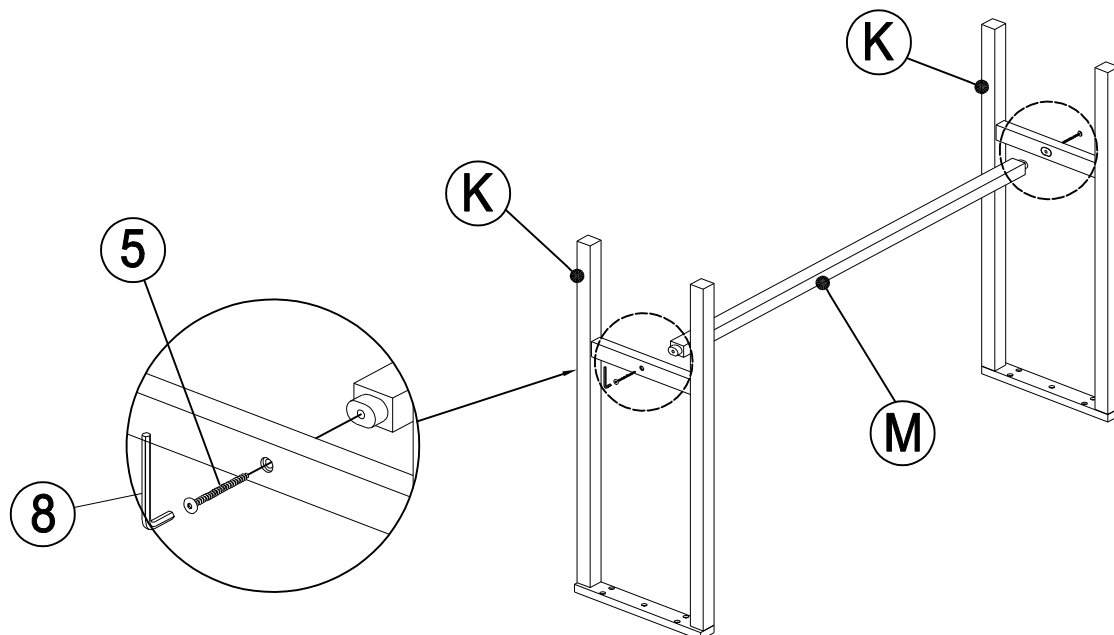
STEP 2

K	x2
---	----

M	x1
---	----

5	x2
---	----

8	x1
---	----



With assistance from your adult partners, attach Table Leg Connector (M) to Table Leg (K) by using Screw (5) + with Allen Wrench (8) to secure as shown above picture.

Repeat the same step with the remaining side.

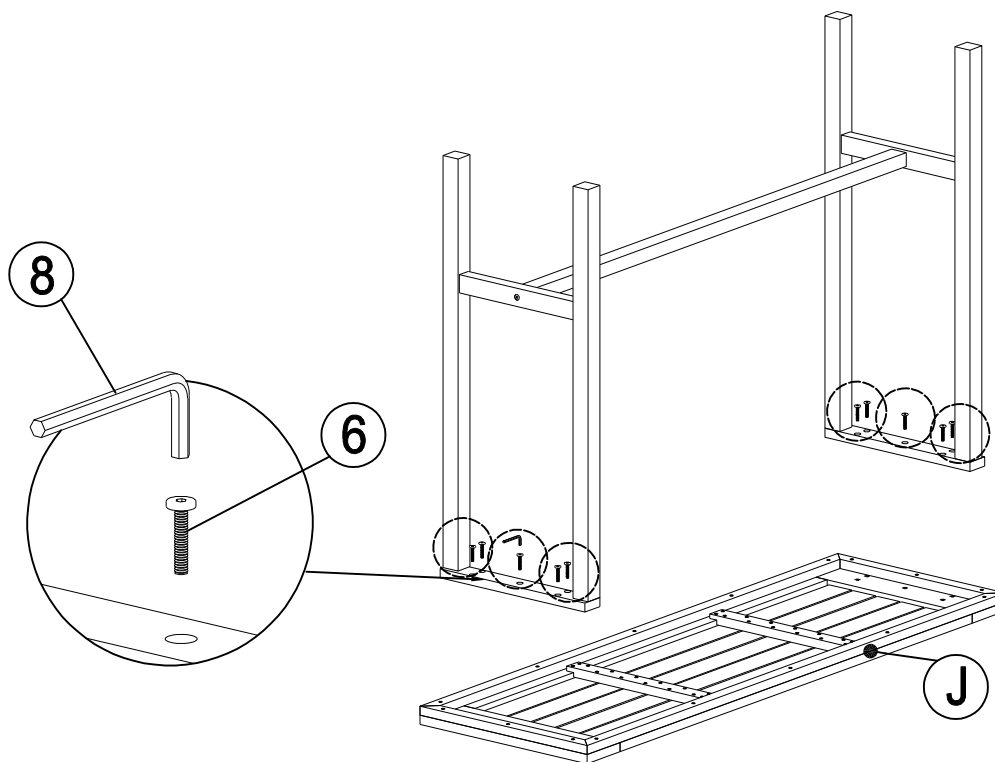
DO NOT fully tighten the Screws.

STEP 3

J	x1
---	----

6	x10
---	-----

8	x1
---	----



With assistance from your adult partners, attach Assembled frame from step 1 to Table Top (J) by using Screw (6) + with Allen Wrench (8) to secure as shown above picture.

Repeat the same step with the remaining side.

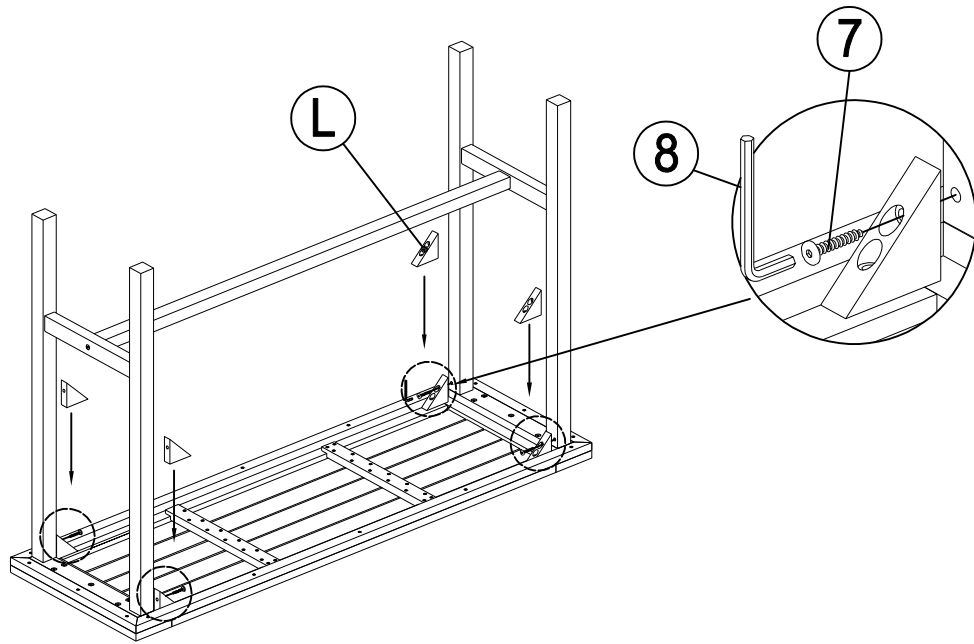
DO NOT fully tighten the Screws.

STEP 4

L x4

⑦ x4

⑧ x1

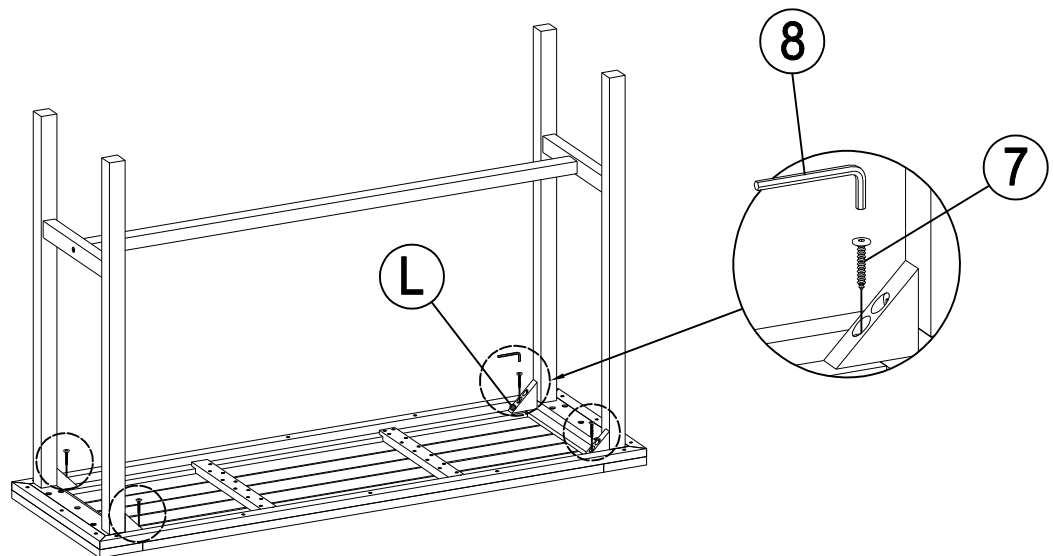


With assistance from your adult partners, attach Corner Block (L) to Table Leg (K) by using Screw (⑦) + with Allen Wrench (⑧) to secure as shown above picture. Repeat the same step with the remaining Corner Blocks. **DO NOT fully tighten the Screws.**

STEP 5

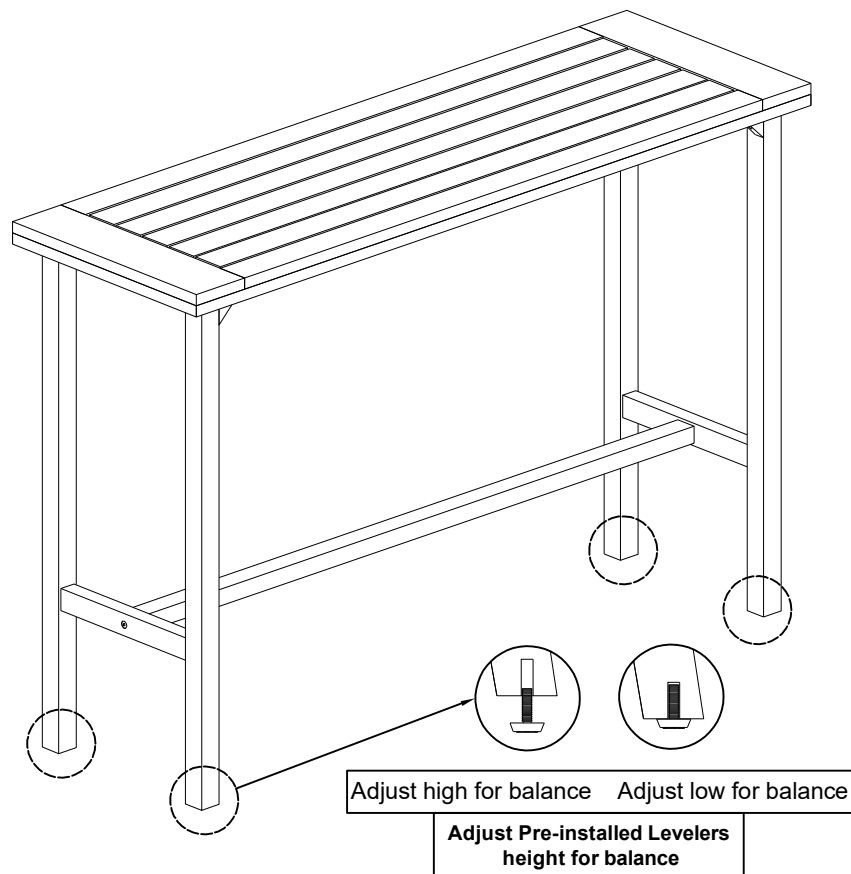
⑦ x4

⑧ x1



With assistance from your adult partners, attach Corner Block (L) to Table Top (J) by using Screw (⑦) + with Allen Wrench (⑧) to secure as shown above picture. Repeat the same step with the remaining Corner Blocks. **DO NOT fully tighten the Screws.**

STEP 6



With the help of your adult partners, stand the Table up.

Exert pressure floor wards, onto the Table with both your hands.

This pressure will help the Legs and Table Top reach full alignment status.

Check for wobbles on a LEVEL surface.

If no wobbles are found proceed to tighten the Screws in a sequential manner, until evenly secured.

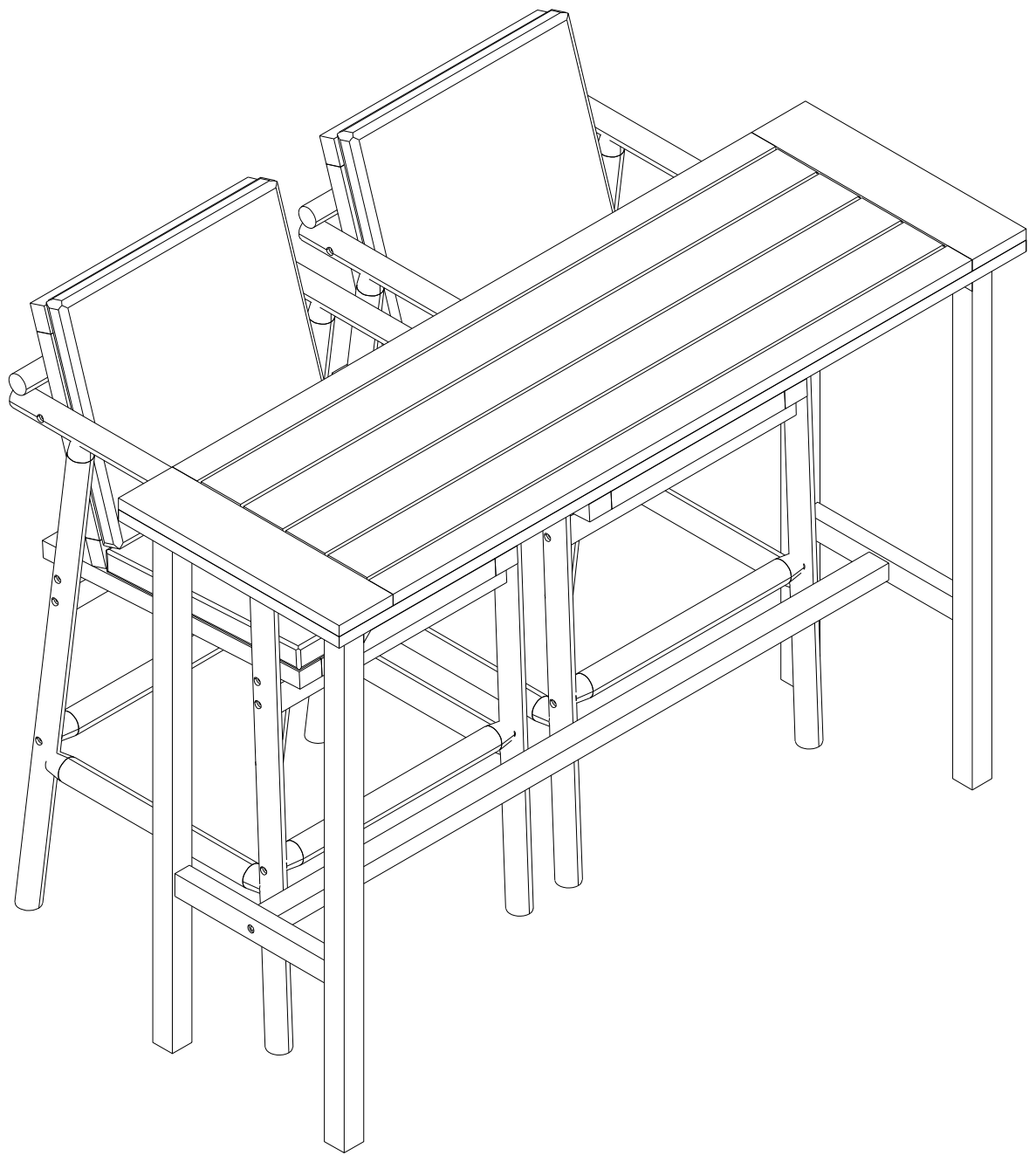
When tightening the Bolts, Screws tighten sequentially.

Do not tighten any Bolts and Screws fully and then move on towards the next one.

If there are still wobbles, loosen the Screws and execute the same above process.

Your Table is ready for use.

This Table can only be used on a flat, level surface.



Finish .