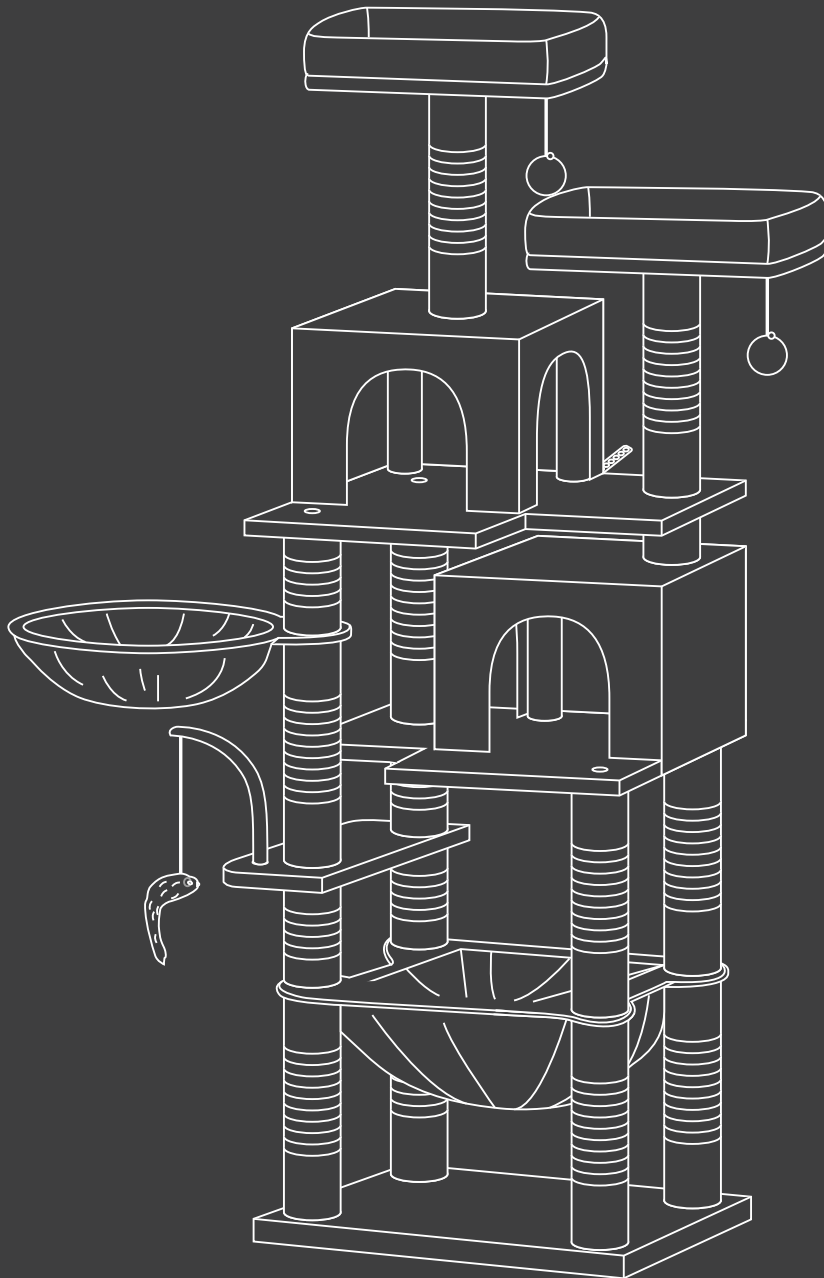


Cat Tree

Instruction Manual

PF-MPJ02MS-71



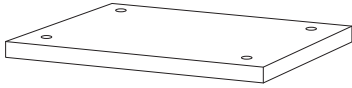
✉ HJ-Customer-Service@outlook.com

☎ (909)637-7665 | (909)637-7593

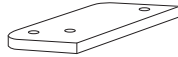
EST 9:00AM--17:00PM

1 Part List

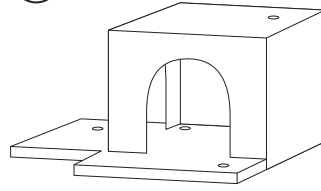
① x 1



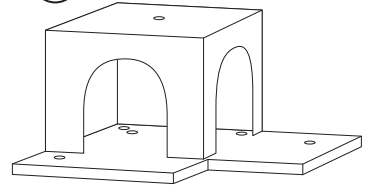
② x 1



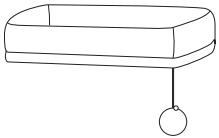
③ x 1



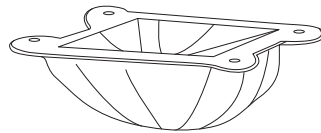
④ x 1



⑤ x 2



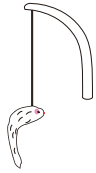
⑥ x 1



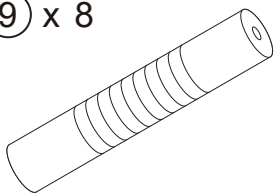
⑦ x 1



⑧ x 1

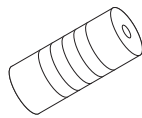


⑨ x 8



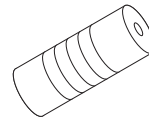
35cm

⑩ x 3



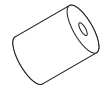
17cm

⑪ x 1



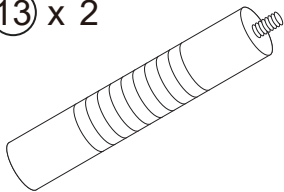
18cm

⑫ x 1



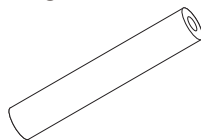
10cm

⑬ x 2



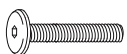
35cm

⑭ x 8



24cm

A x 26



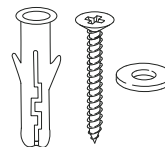
M8*35mm

B x 9

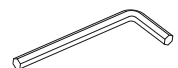


M8*80mm

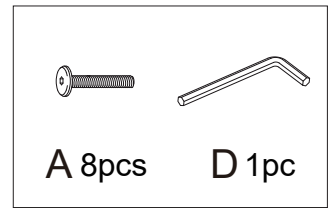
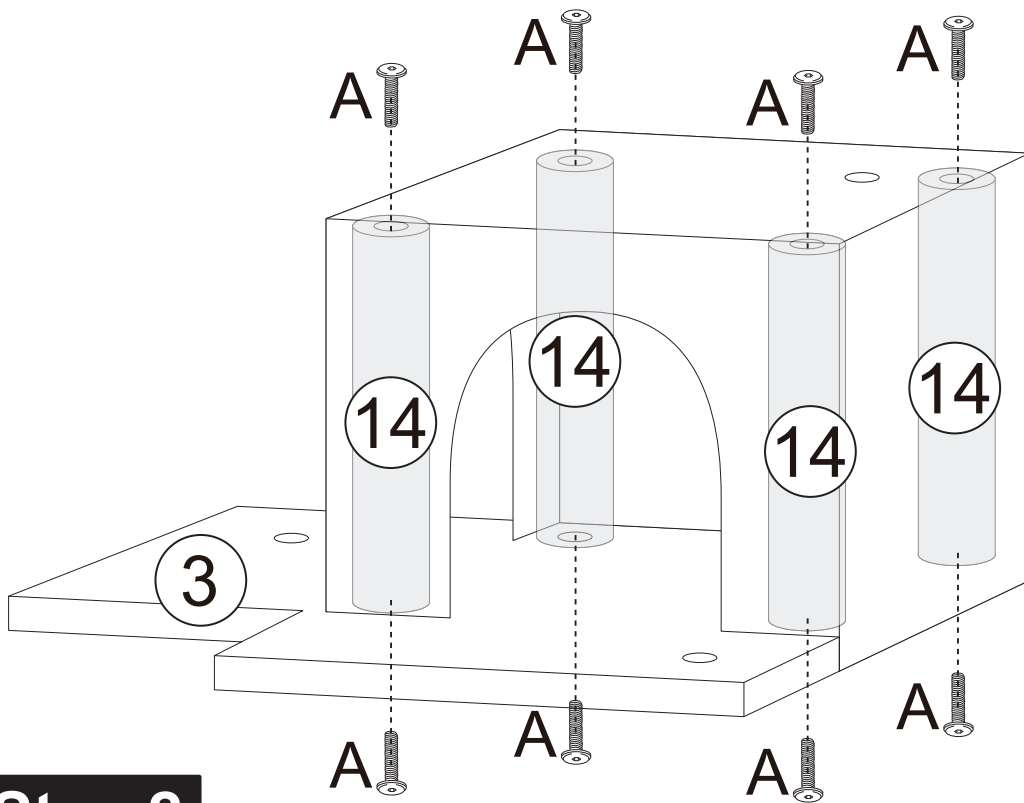
C x 1



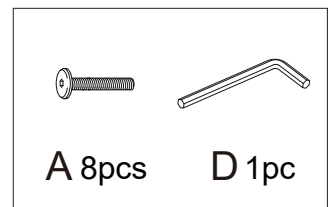
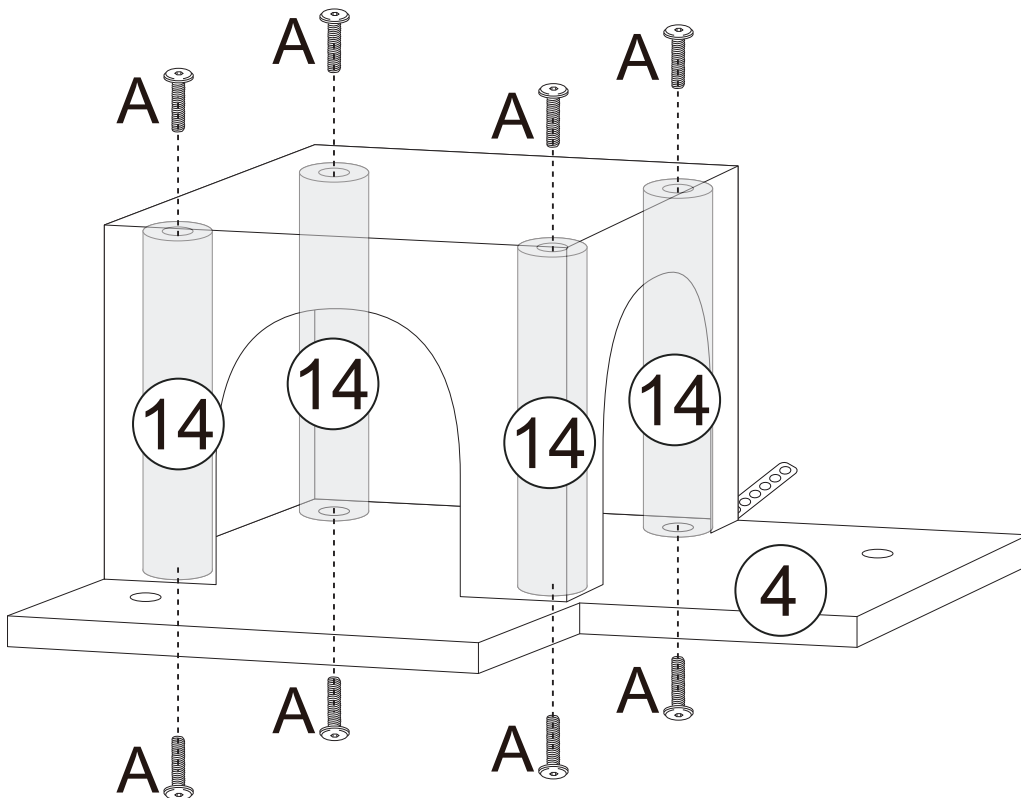
D x 1



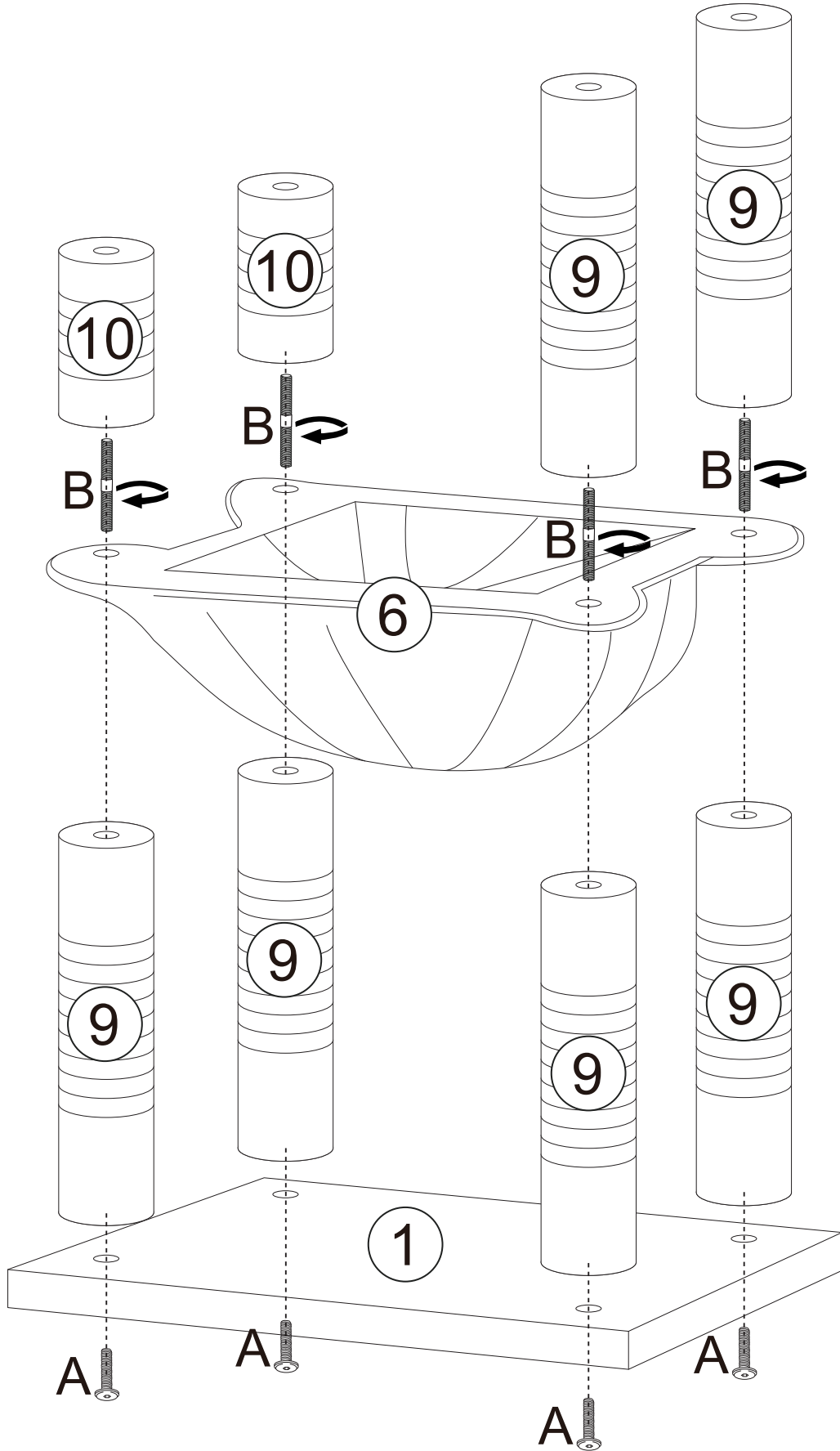
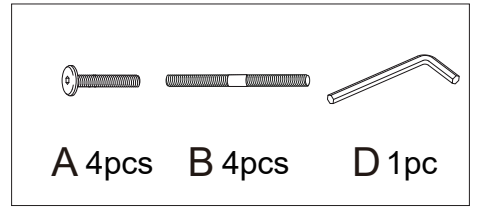
Step 1



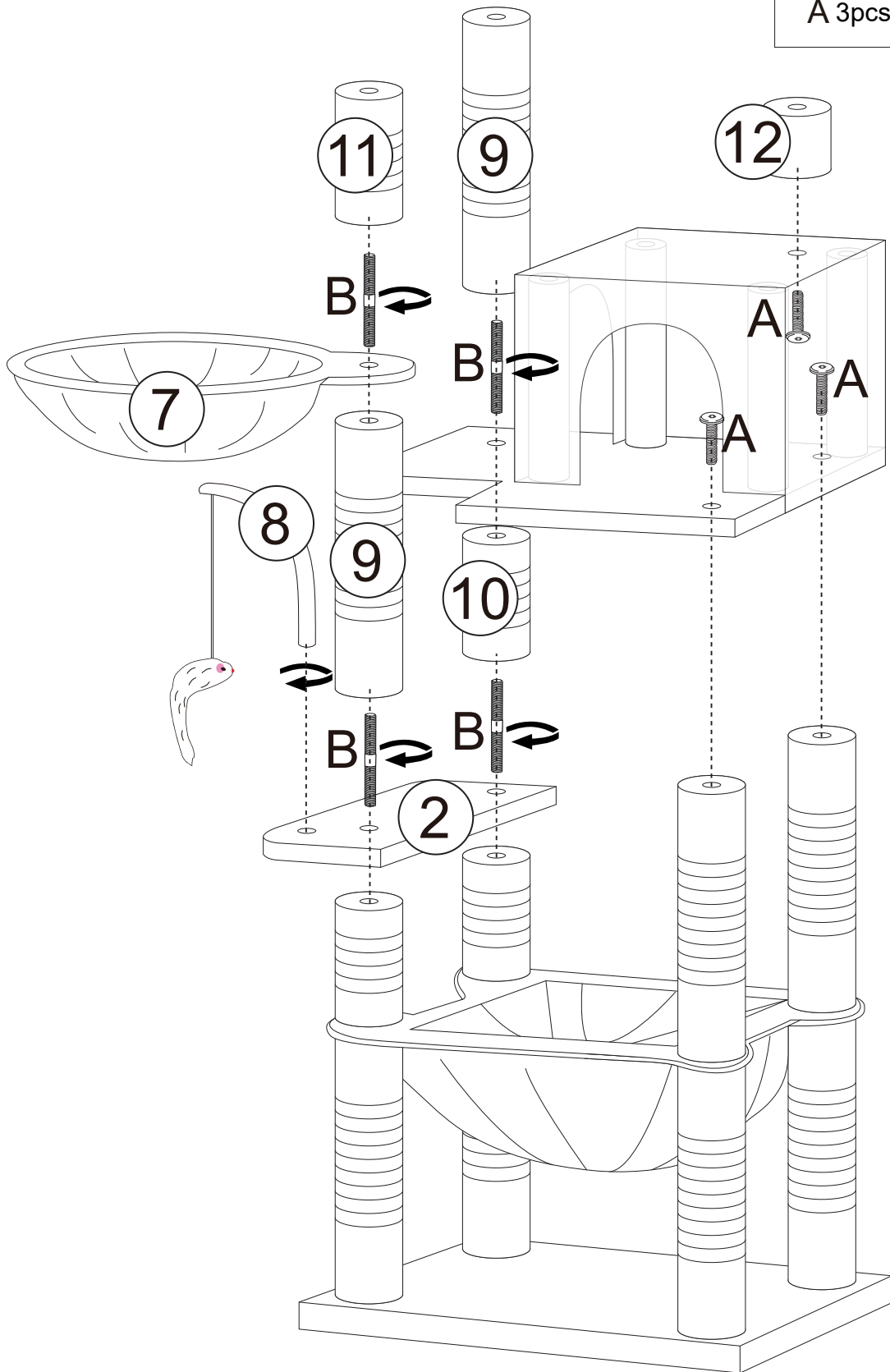
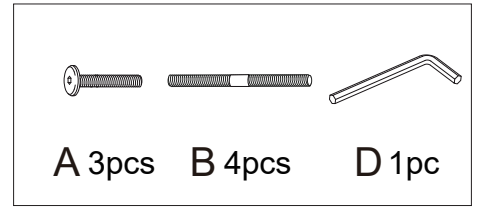
Step 2




Step 3



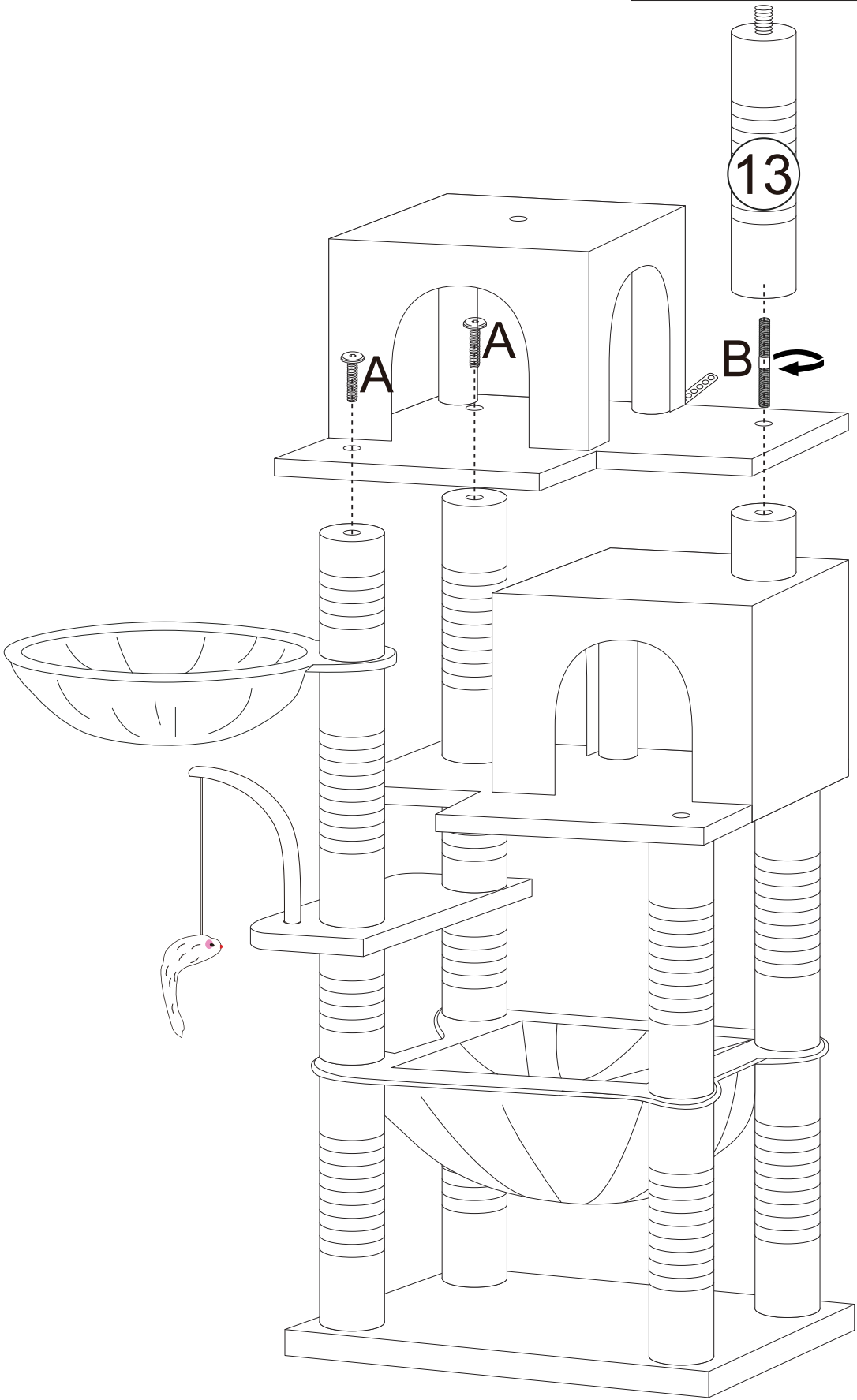
Step 4



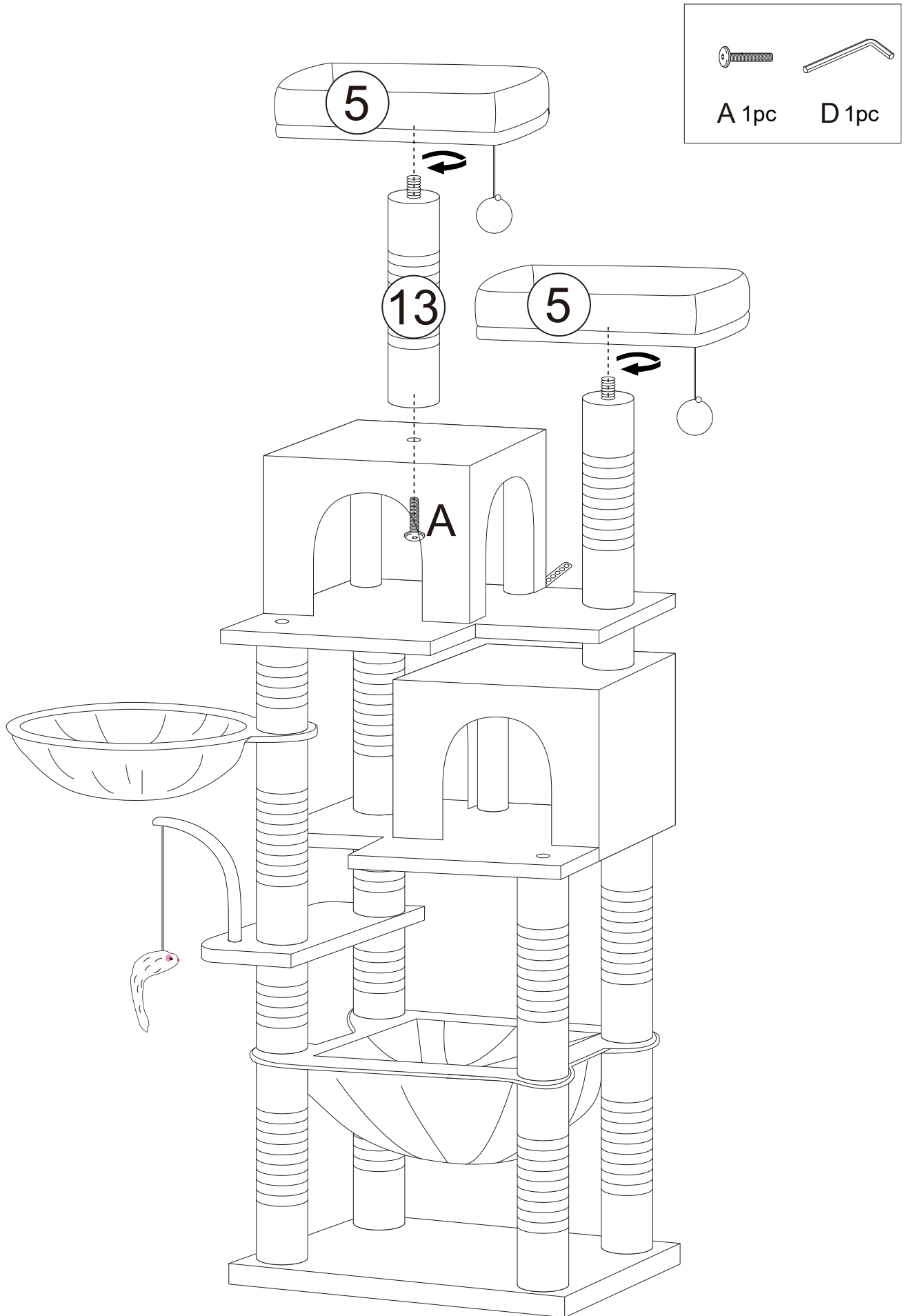
Step 5



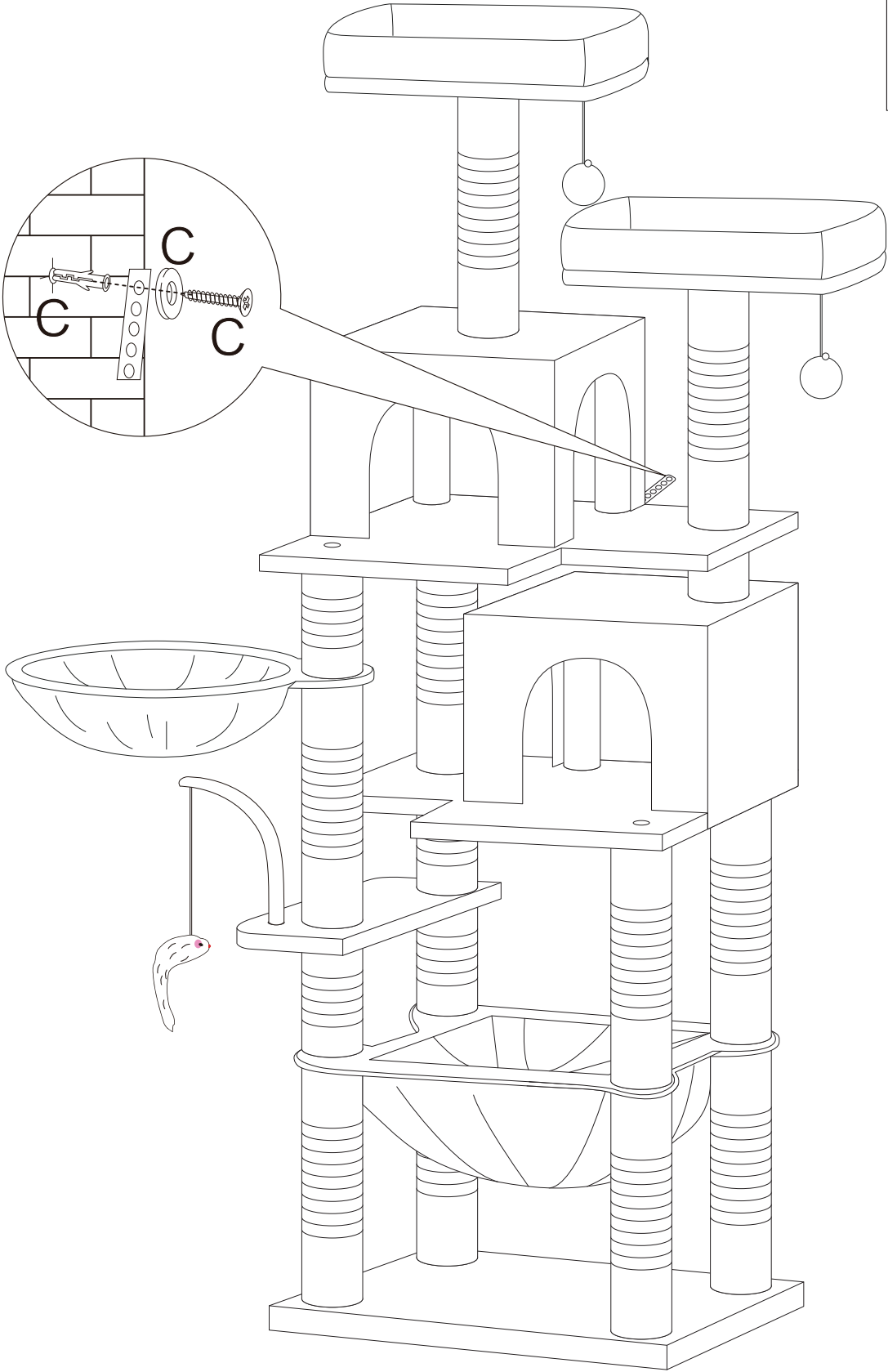
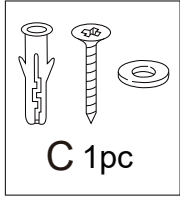
A 2pcs B 1pc D 1pc

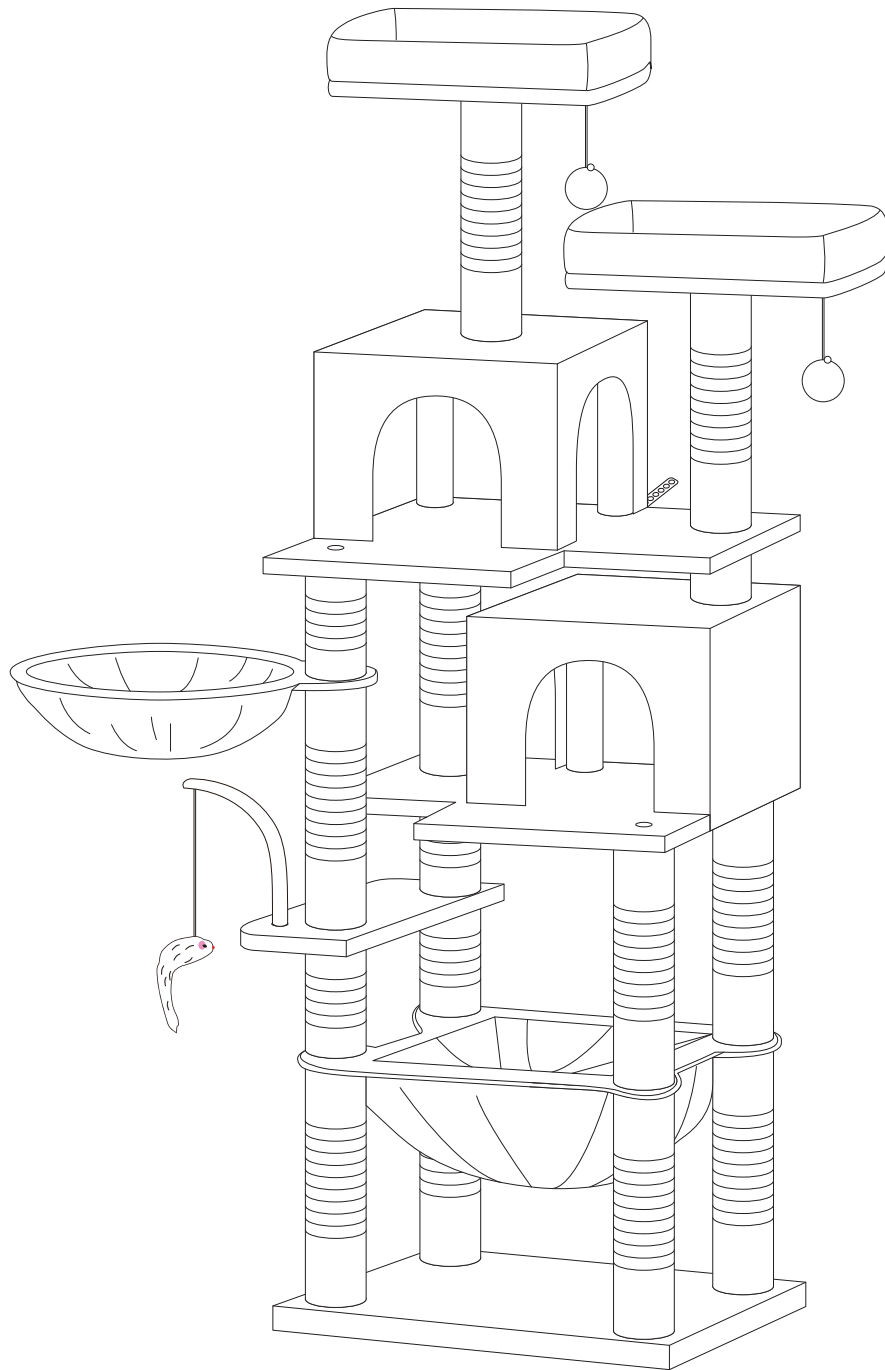


Step 6



Step 7





Technical Support

(909)637-7665 | (909)637-7593

Other Info

HJ-Customer-Service@outlook.com

Thank you for choosing this product. We strive to provide you with the best quality products and services in the industry. Should you have any issues, please don't hesitate to contact us.