

# ASSEMBLY INSTRUCTION

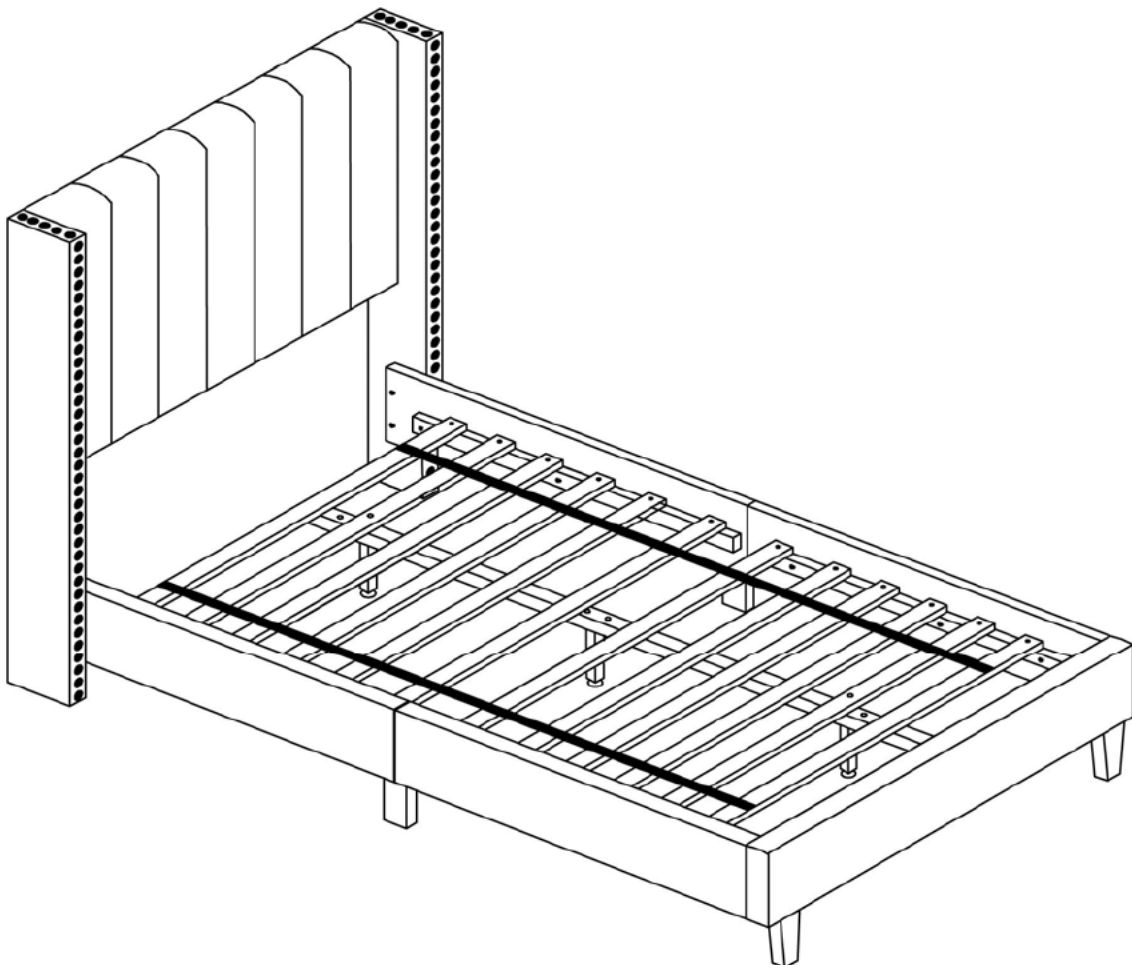
**DEAR CUSTOMERS,**

Thank you for choosing our product.

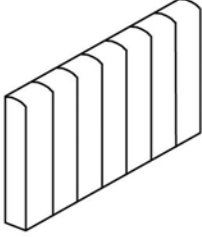
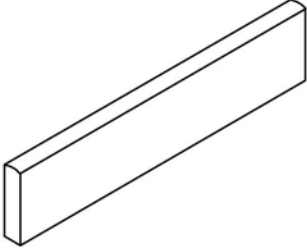
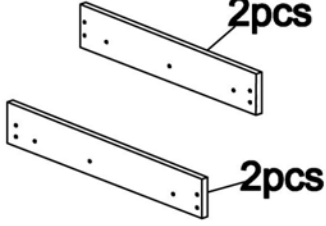
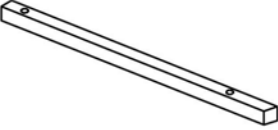
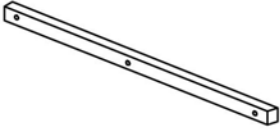



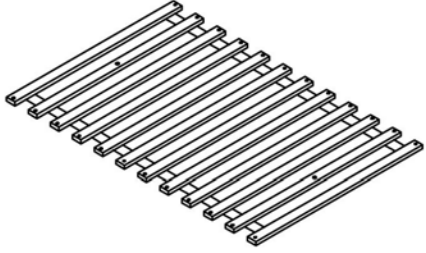
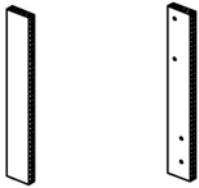
This is a designed product with impact packaging method, in order to make it more economic and affordable for our customers. Please follow with the steps on this Manual carefully to install and assemble.

Wherever you purchased from, if you are happy with our products, your rating, review or feedback would be highly appreciated. In case there came with any damages or defectives product, please feel free to contact us for free replacement or money refunding.

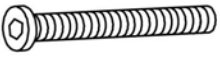
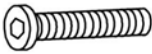


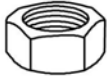

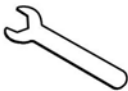
Thanks again.



## PARTS LIST:

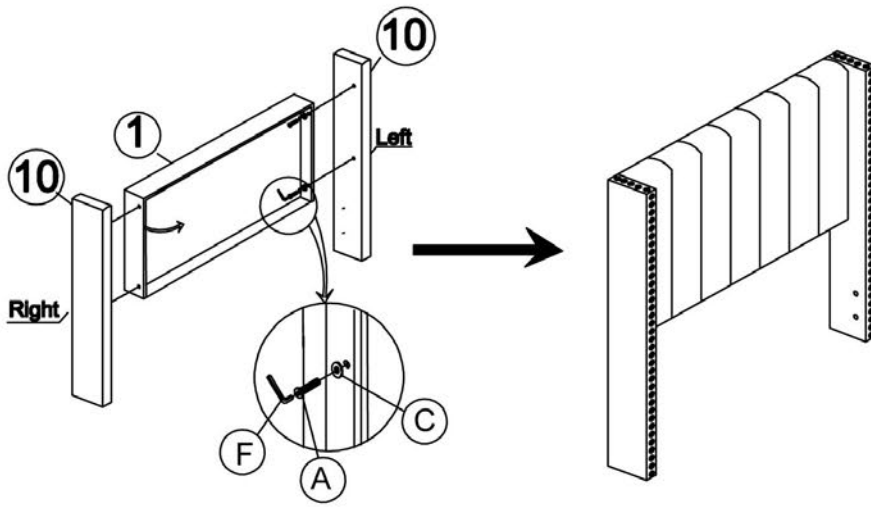
<p><b>1</b> Headboard - 1pc</p> 	<p><b>2</b> Footboard - 1pc</p> 	<p><b>3</b> Side Rail - 4pcs 2pcs 2pcs</p> 
<p><b>4</b> Center Rail - 2pcs</p> 	<p><b>5</b> Slat Side Support - 4pcs</p> 	<p><b>6</b> Side Rail Support leg -2pcs</p> 
<p><b>7</b> Center Rail Support Leg -3pcs</p> 	<p><b>8</b> Footboard Foot-2pcs</p> 	<p><b>9</b> Slats - 12pcs</p> 
<p><b>10</b> Wing-2pcs Left Right</p> 		

## HARDWARE LIST:

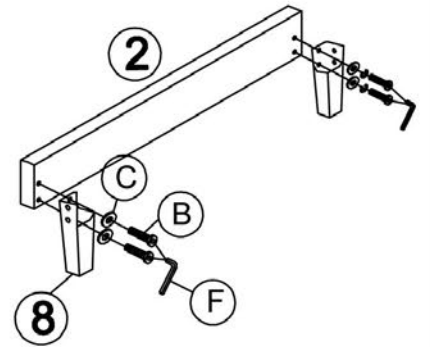
<p><b>A</b> Bolt M8*45MM - 26pcs</p> 	<p><b>B</b> Bolt M8*30MM - 16pcs</p> 	<p><b>C</b> Flat Washer M8*19MM - 42pcs</p> 	<p><b>D</b> Screw M4*25MM - 24pcs</p> 
<p><b>E</b> Nut - 6pcs</p> 	<p><b>F</b> Allen Key M8 - 1pc</p> 	<p><b>G</b> Box wrench - 1pc</p> 	

# ASSEMBLY INSTRUCTIONS

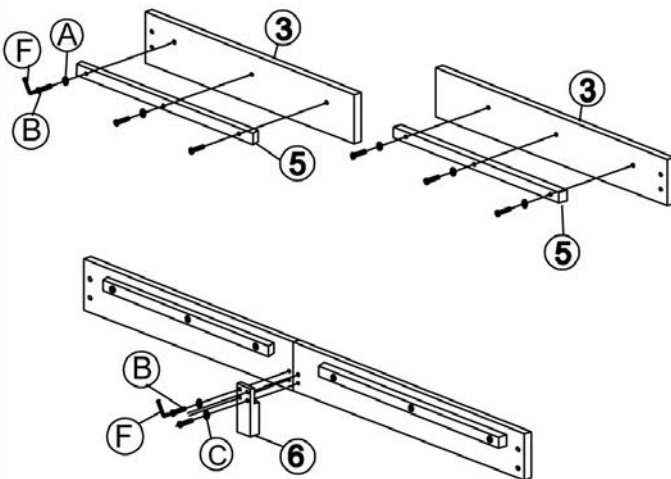
**STEP 1:**



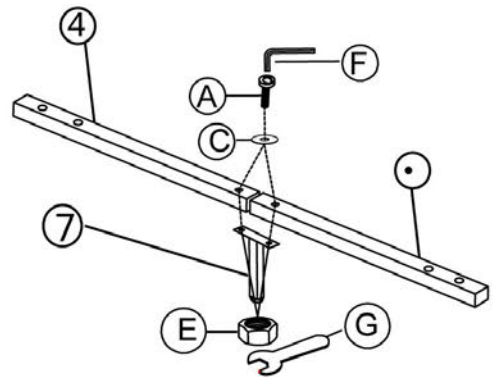
**STEP 2:**



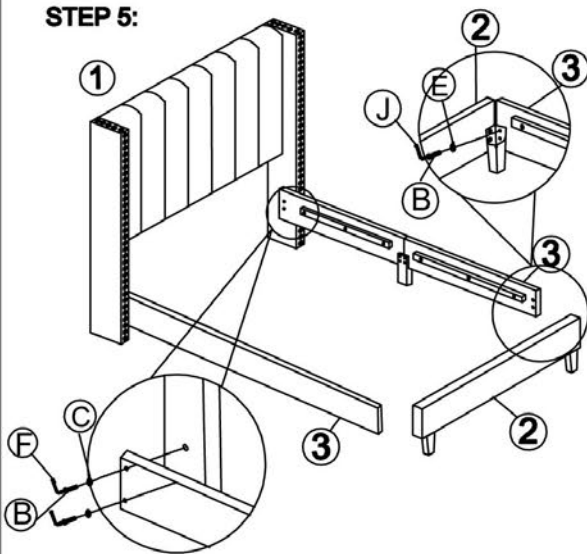
**STEP 3:**



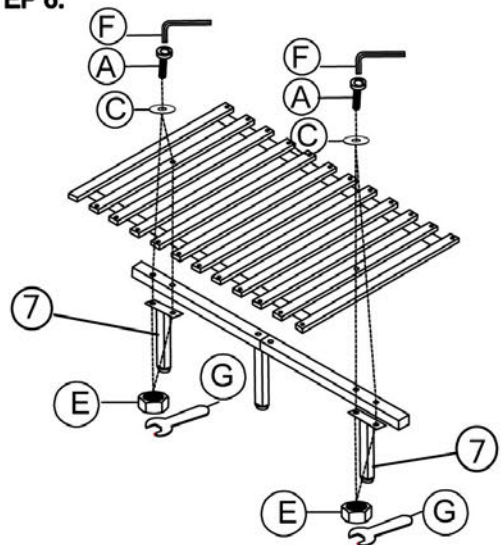
**STEP 4:**



**STEP 5:**

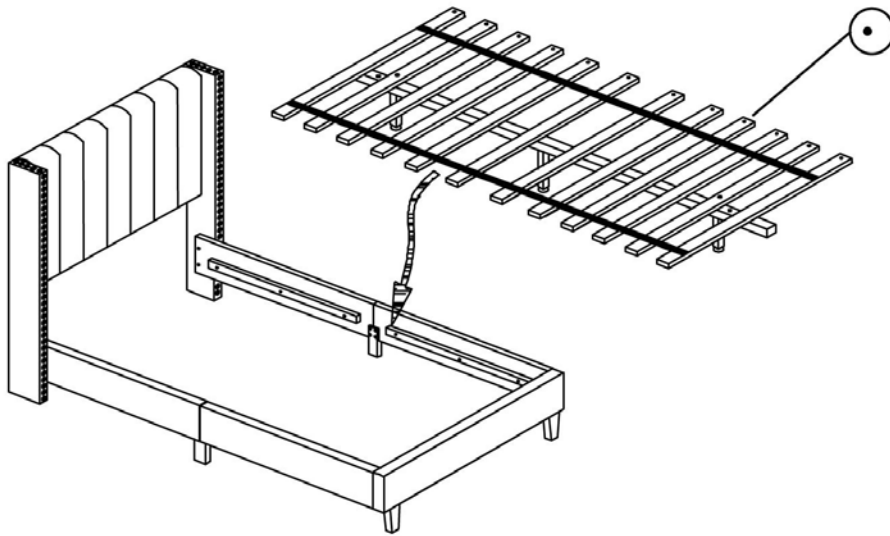


**STEP 6:**



# ASSEMBLY INSTRUCTIONS

STEP 7:



STEP 8:

