

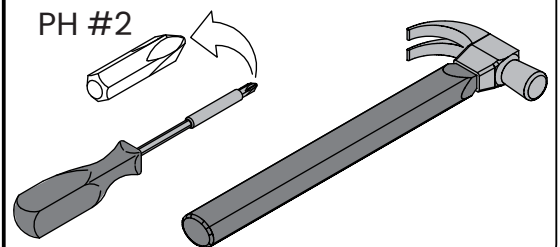
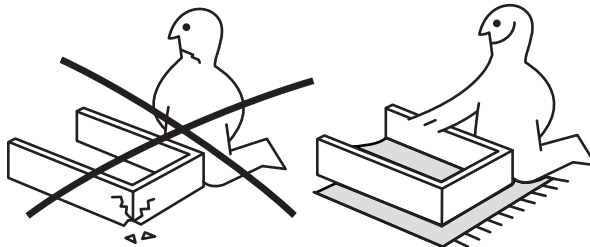
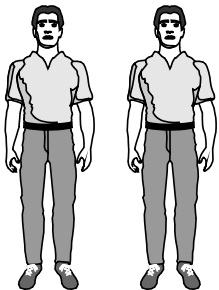
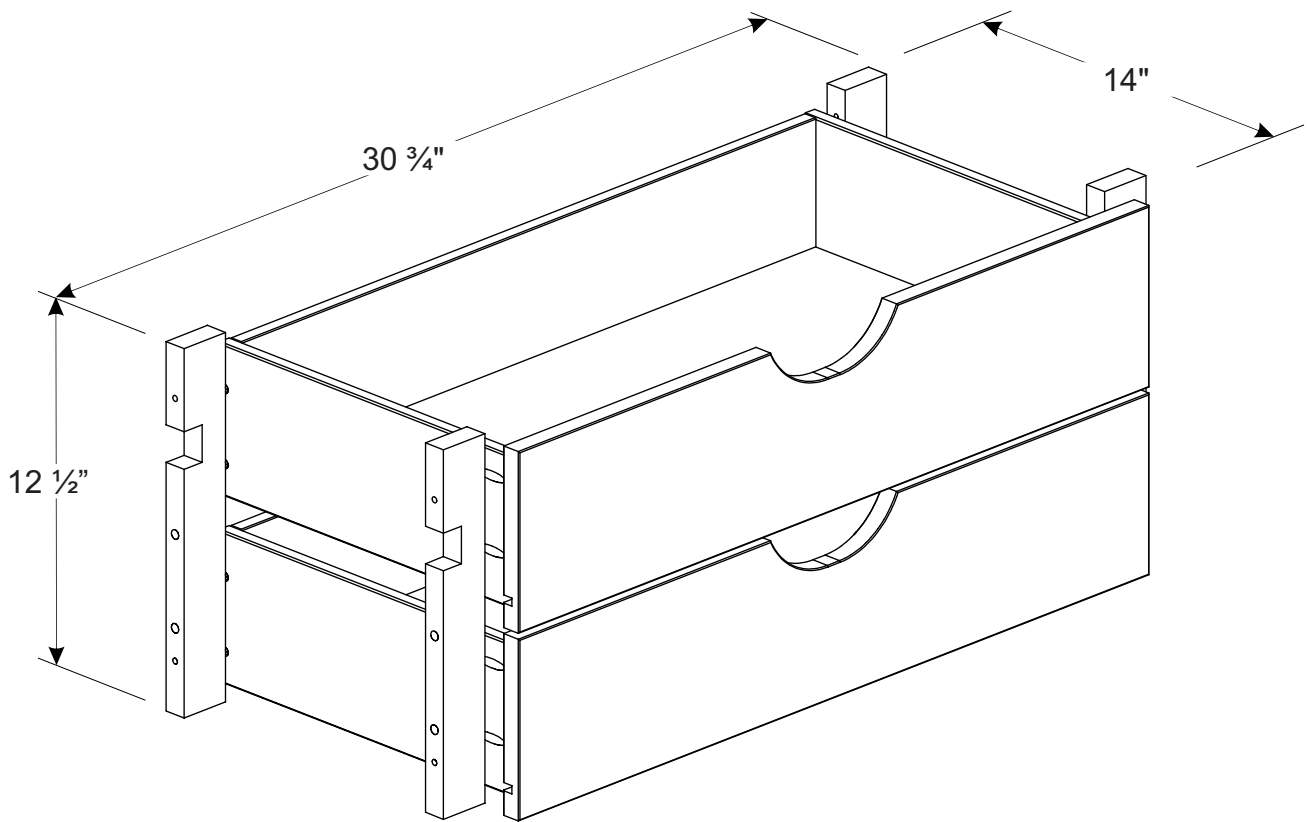
Your total satisfaction is our #1 priority.

Customer Service and Warranty Information

- Should you have a problem or need more information concerning the warranty, **do not contact the place of purchase**
- We are warranted to the original purchaser against defects in material or workmanship in the furniture. Defects as mentioned in this warranty refer to any imperfections which may impair the use of the product. Our warranty is expressly limited to the replacement of furniture parts and components for one year following the date of purchase.
- This will replace any part that is defective. This warranty applies under conditions of normal use. Our furniture products are not intended for outdoor use. The warranty does not cover defects caused by improper assembly or disassembly, defects occurring after purchase due to product modifications, intentional damage, accident, misuse, exposure to the elements and labor or assembly costs.
- Our reserves the right to request proof of purchase to document a warranty claim. In no event shall be liable for incidental or consequent damages resulting from the misuse of the product.

ASSEMBLY GUIDE

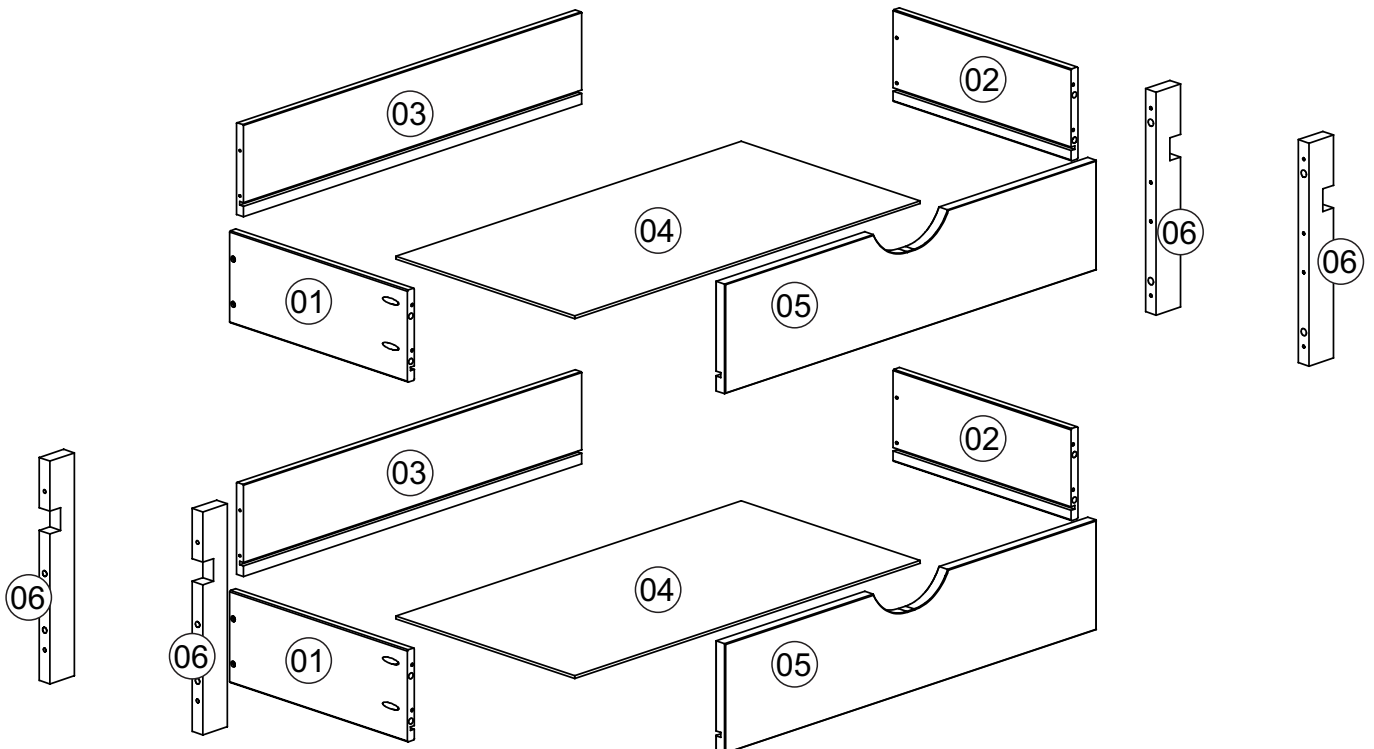
PANTRY PULL OUT 2-DRAWER UNIT




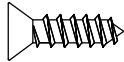



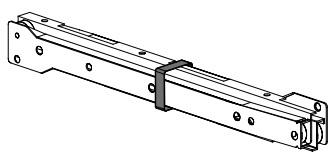
PRE-ASSEMBLY PREPARATION

- Please check the contents before assembling. A full checklist of parts is provided below
- If any parts are missing or damaged
- Assemble on a flat, smooth surface on top of a blanket
- Use only low-speed power drill setting
- Assemble as near as possible to the point of use
- The hardware pack contains SMALL ITEMS which should be KEPT AWAY FROM YOUNG CHILDREN.

PARTS DIAGRAM

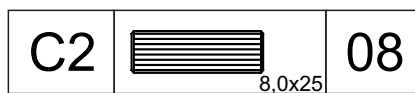
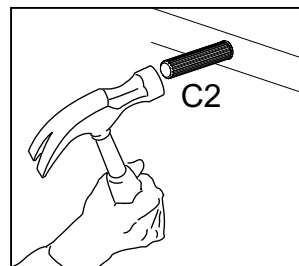
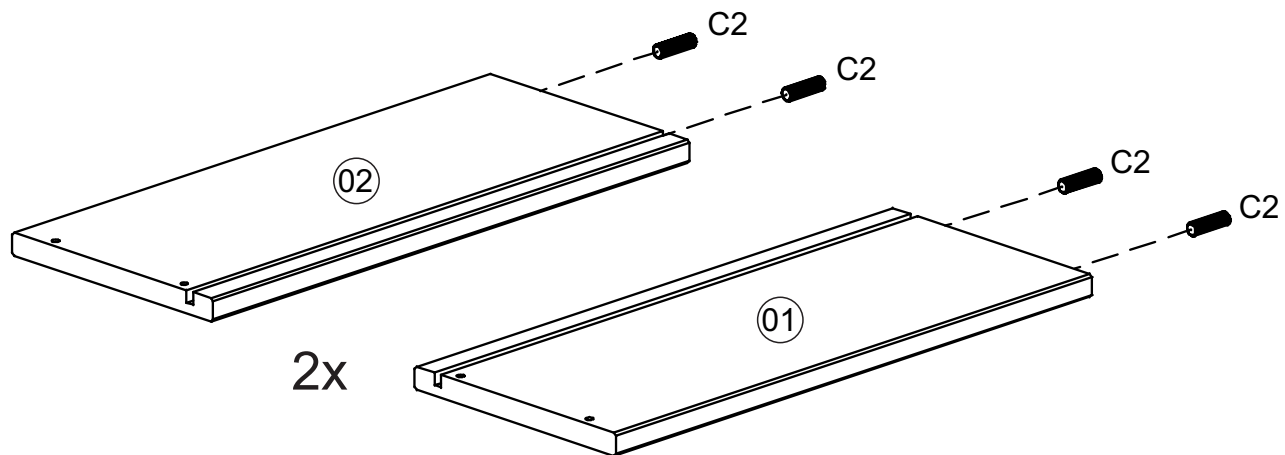


SCREWS ARE SHOWN IN ACTUAL SIZE

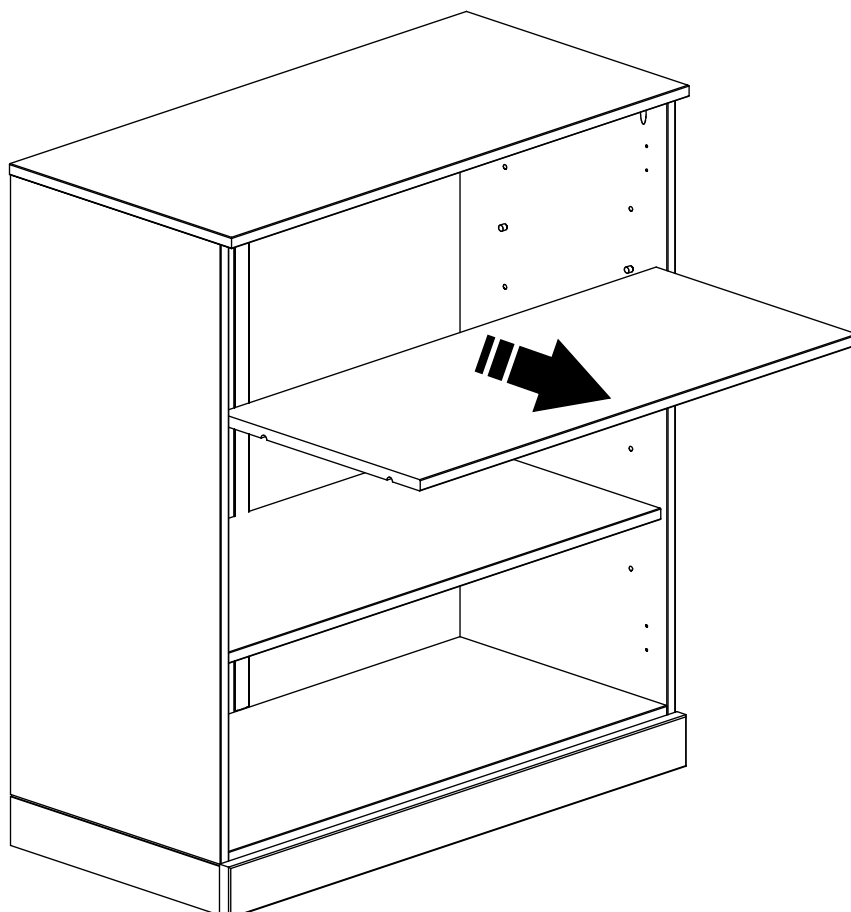
A1	 4,0x30	24+2
A42	 4,0x14	08+1
B31	 6,0x10	08+1
C2	 8,0x25	08+1
D4		08+1
E1	 330mm - 13"	02
E2		02

! **WARNING:**
CHOKING HAZARD
 Small Parts
 Adult Supervision Required
 Not for children under 3 years old

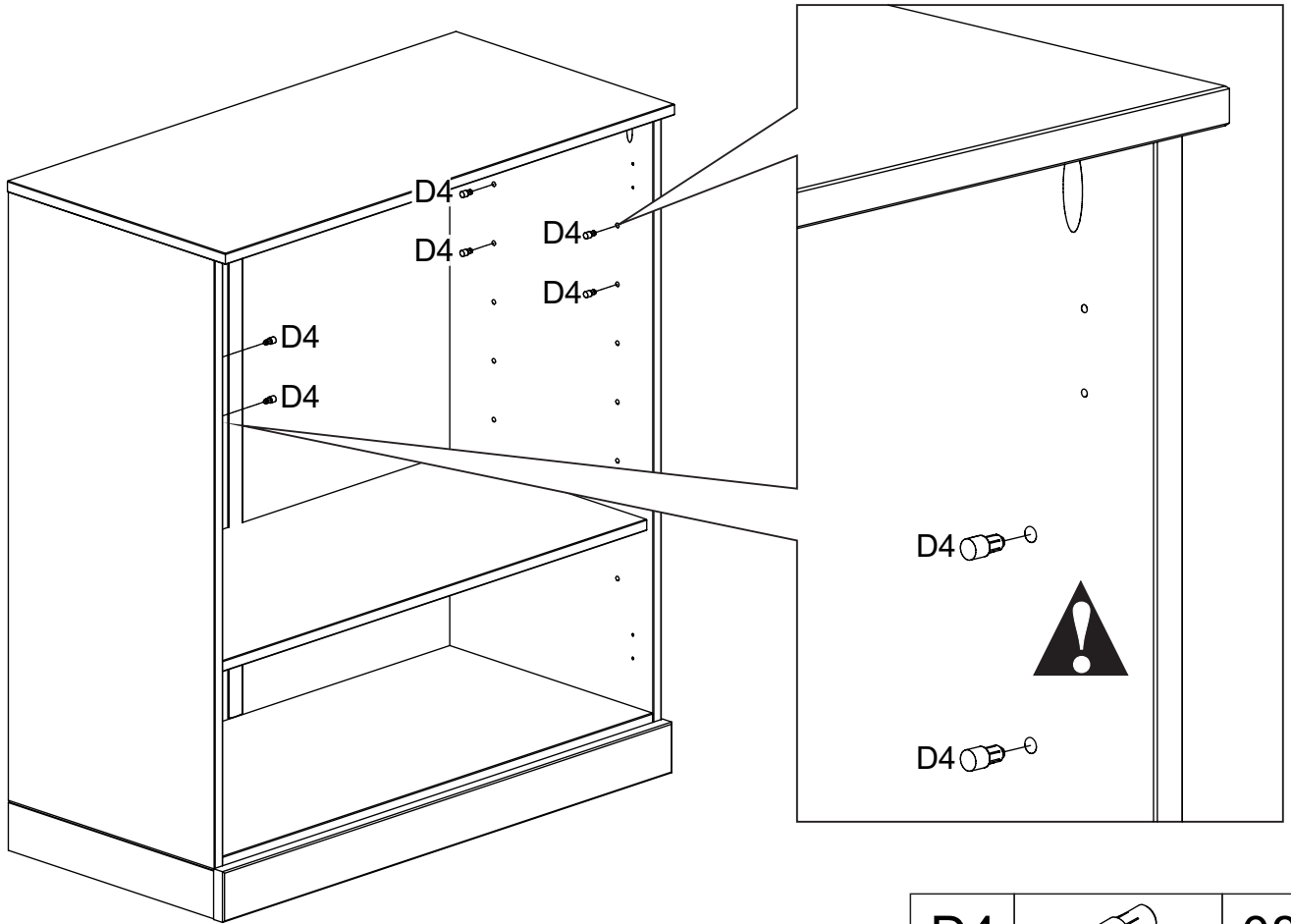
01)

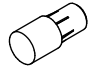


02)

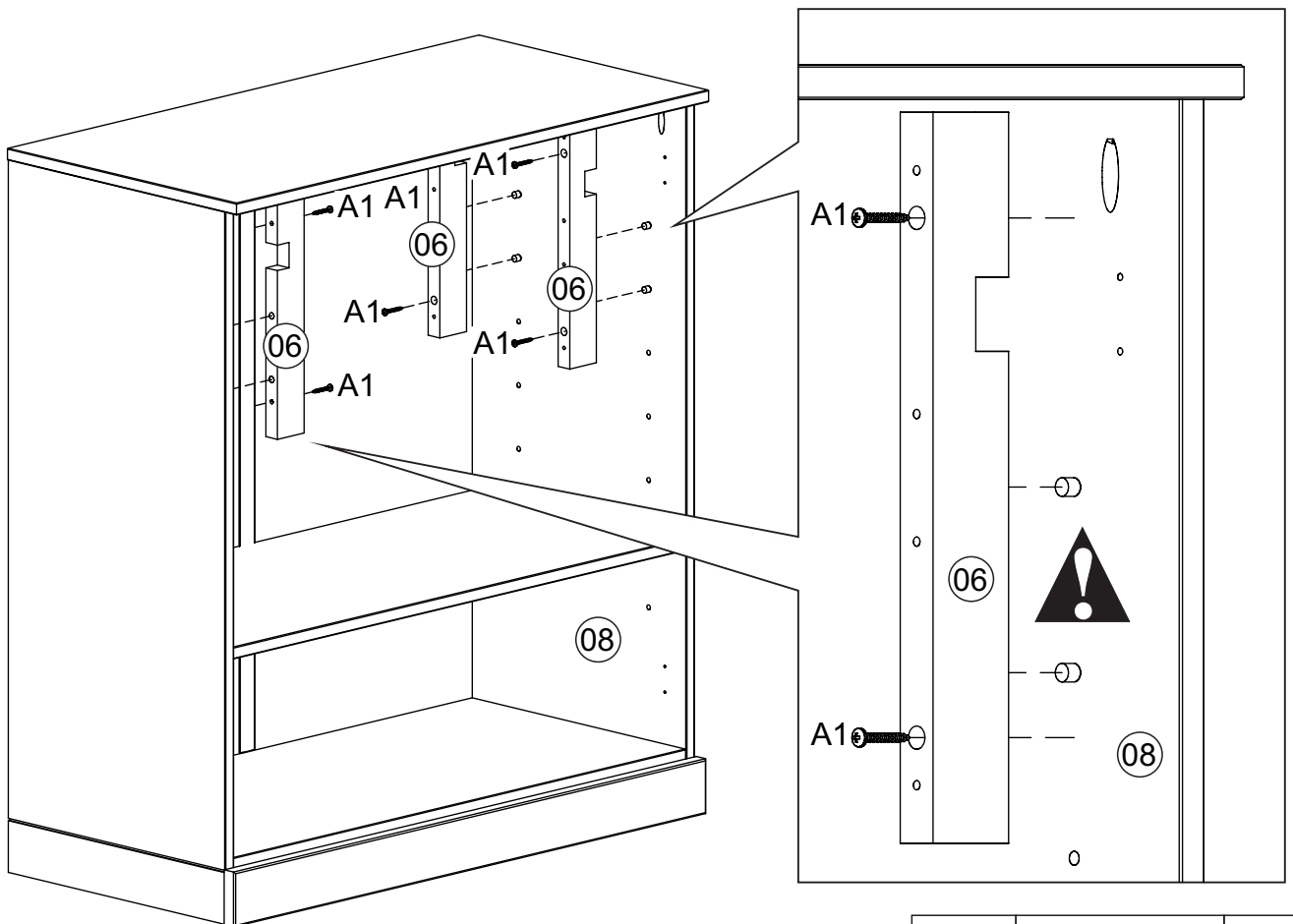


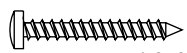
03)



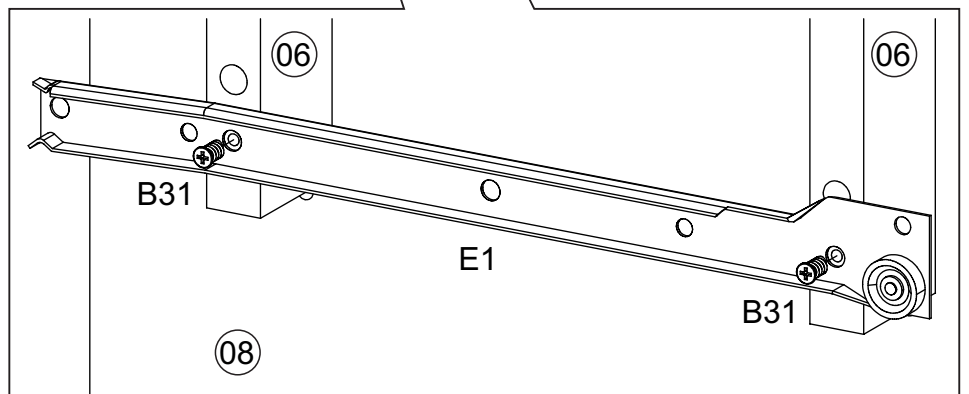
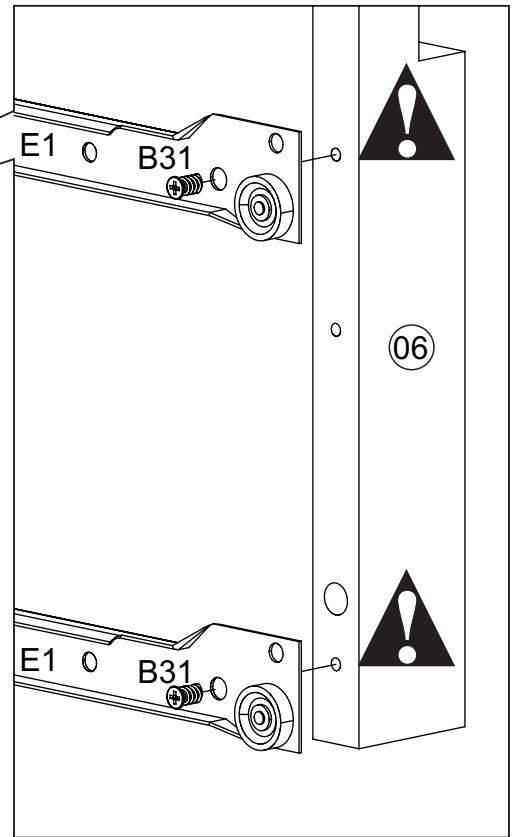
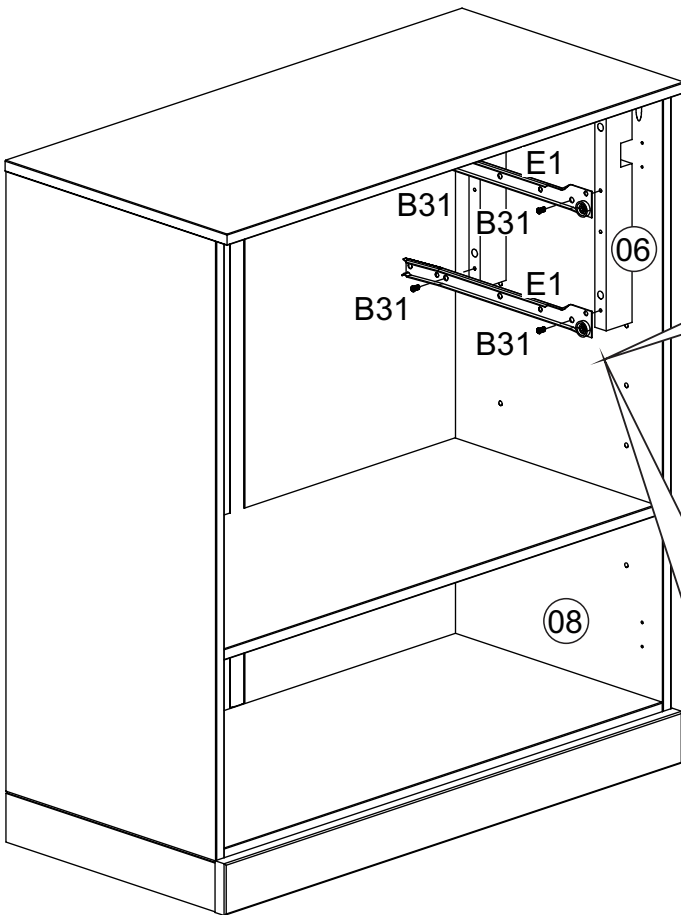
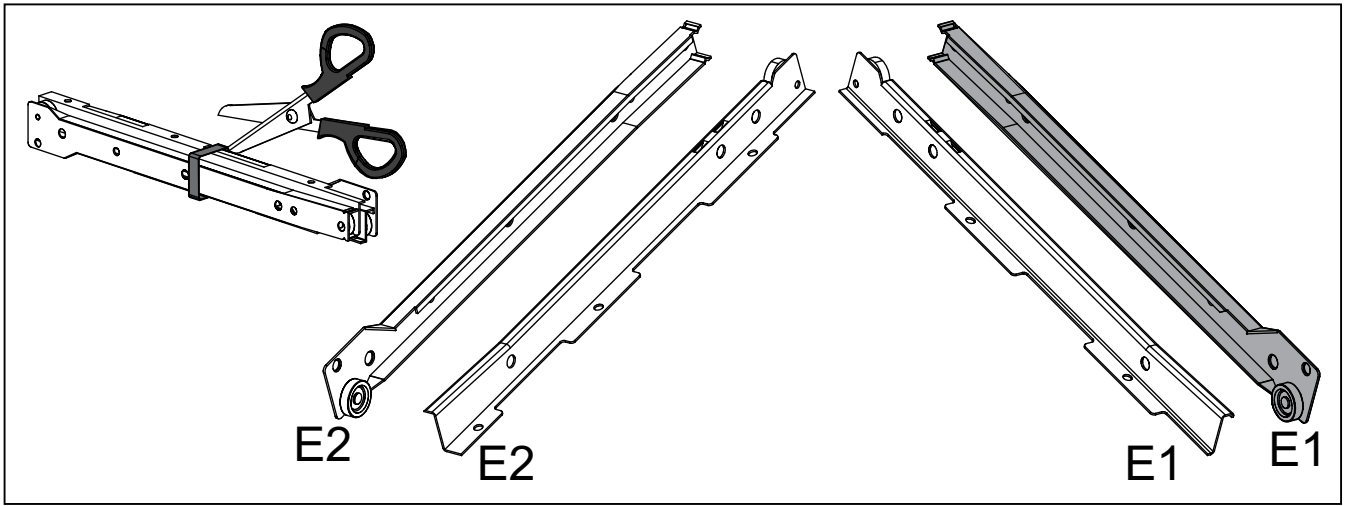
D4		08
----	---	----

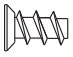
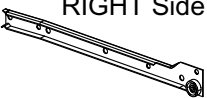
04)



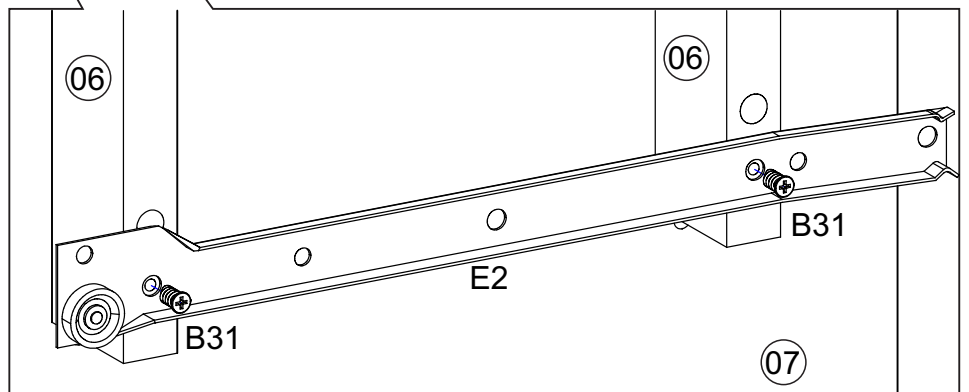
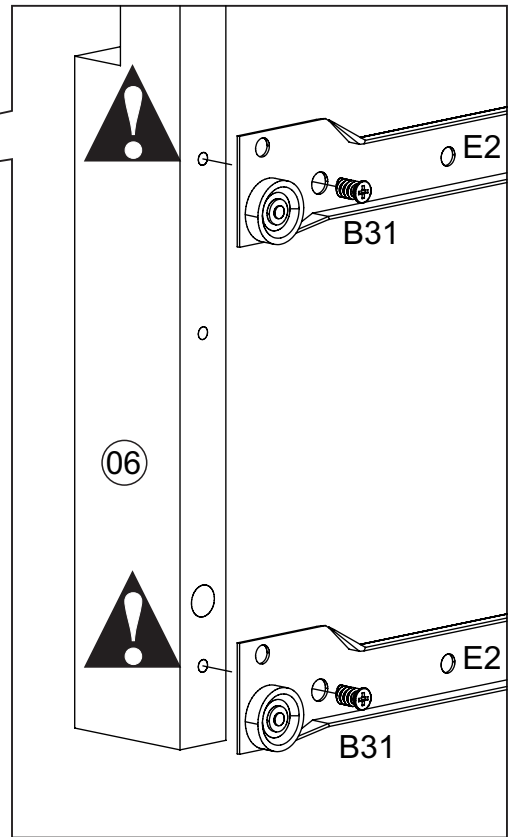
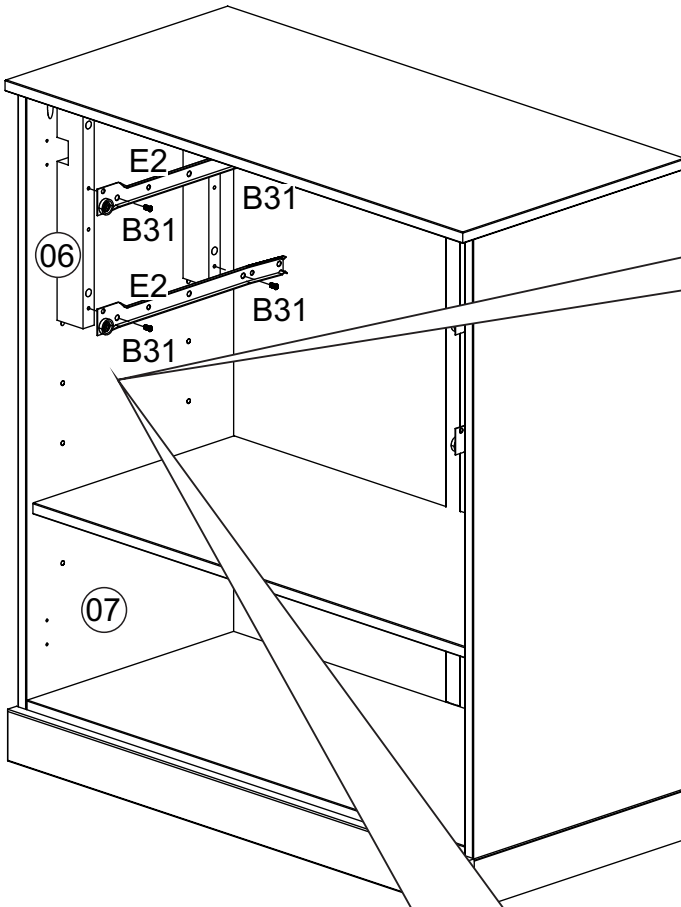
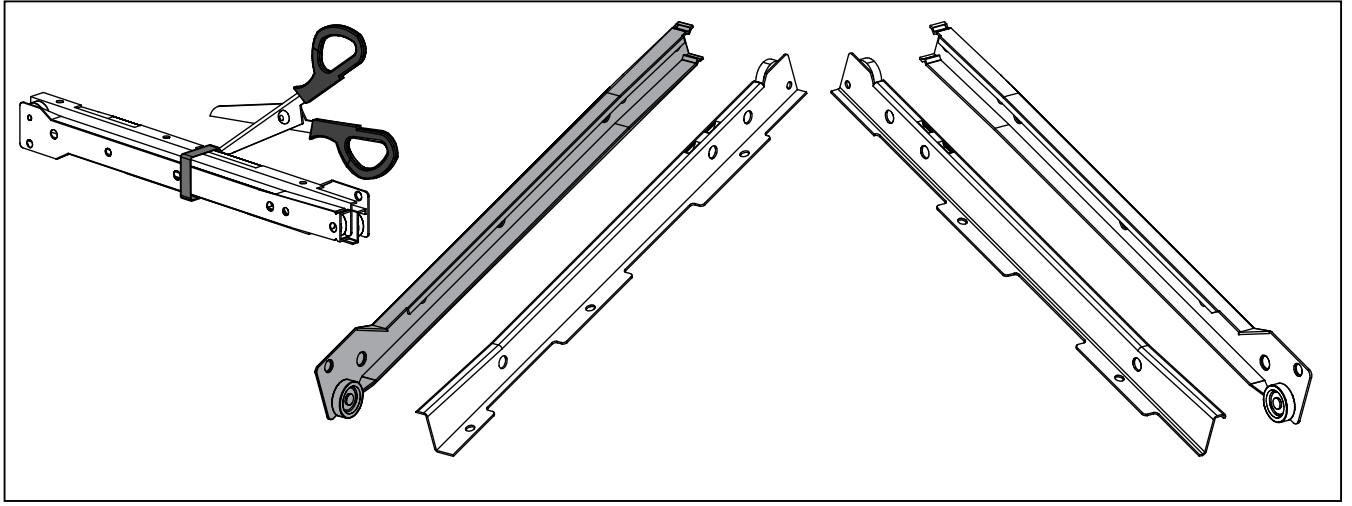
A1	 4.0x30	08
----	---	----


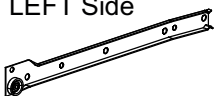
05)



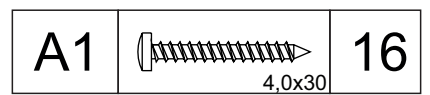
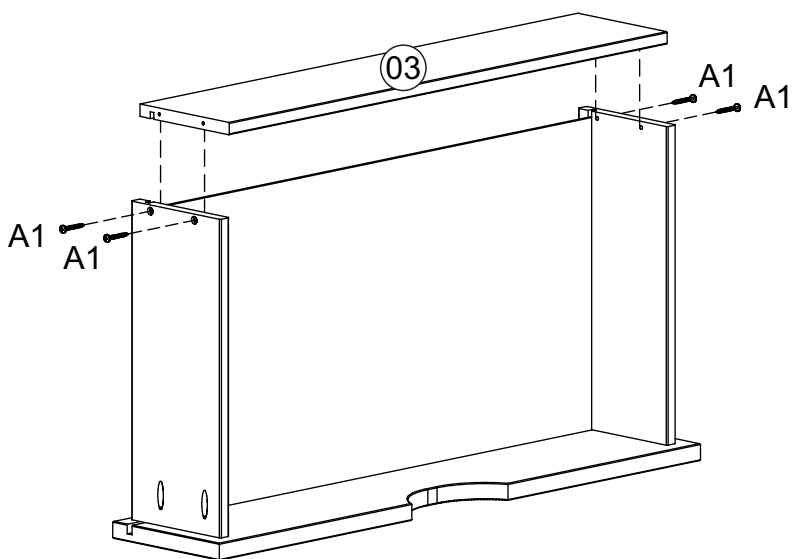
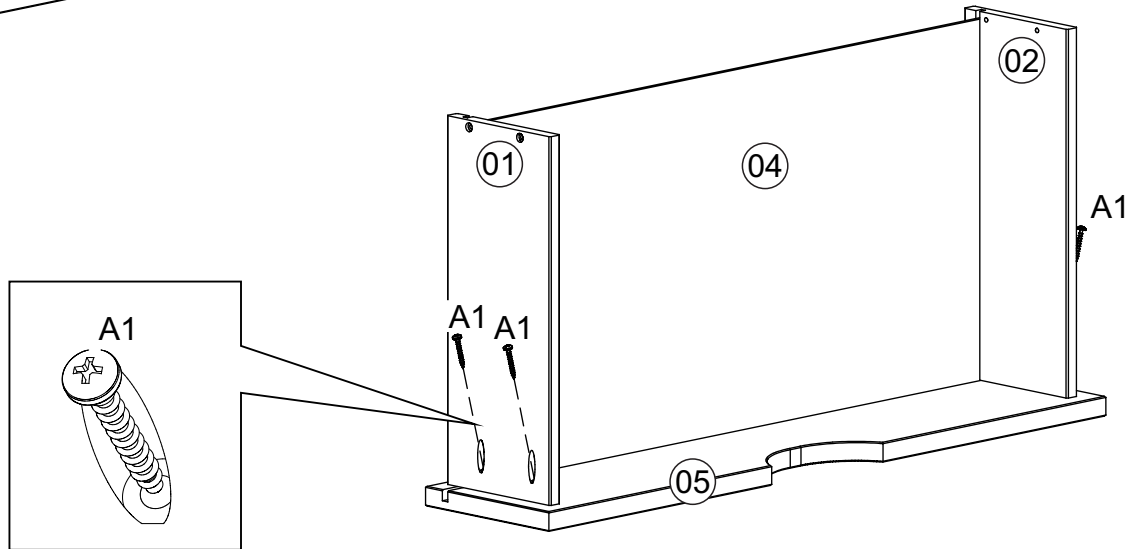
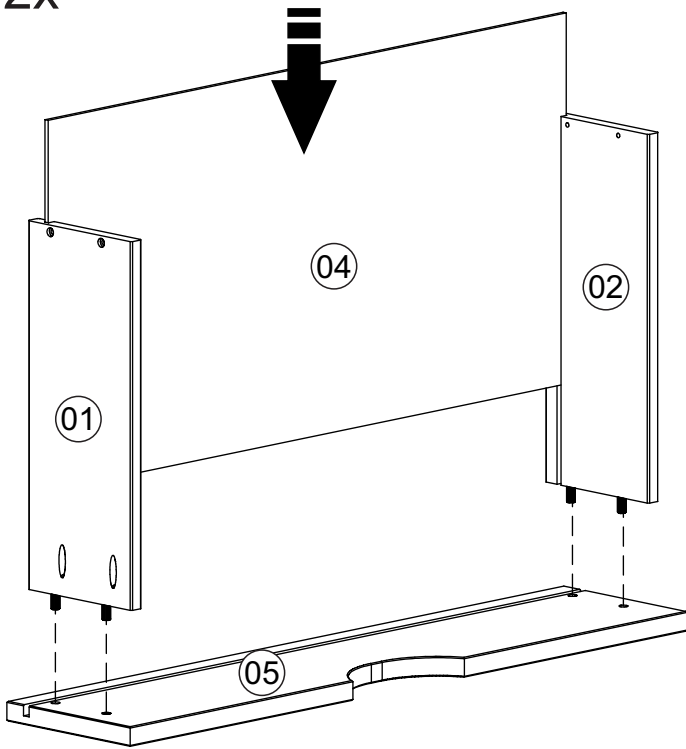
B31	 6,0x10	04
E1	 RIGHT Side	02

06)

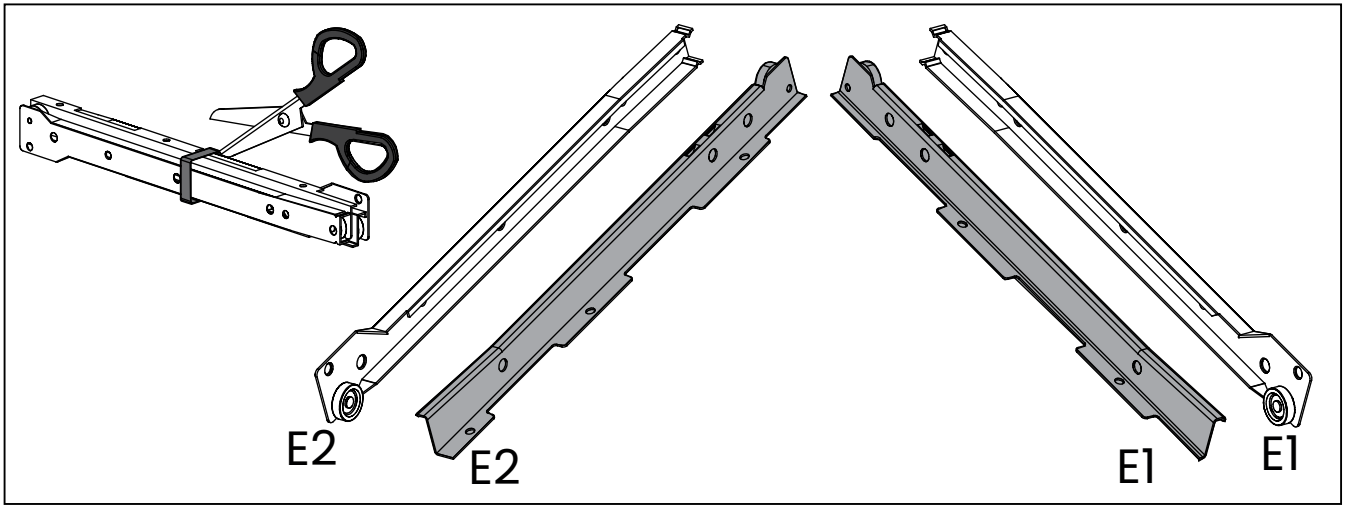


B31	 6,0x10	04
E2	LEFT Side 	02

07) 2x

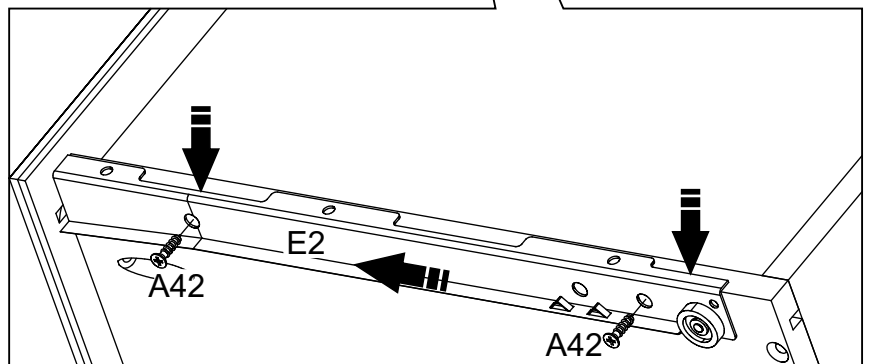
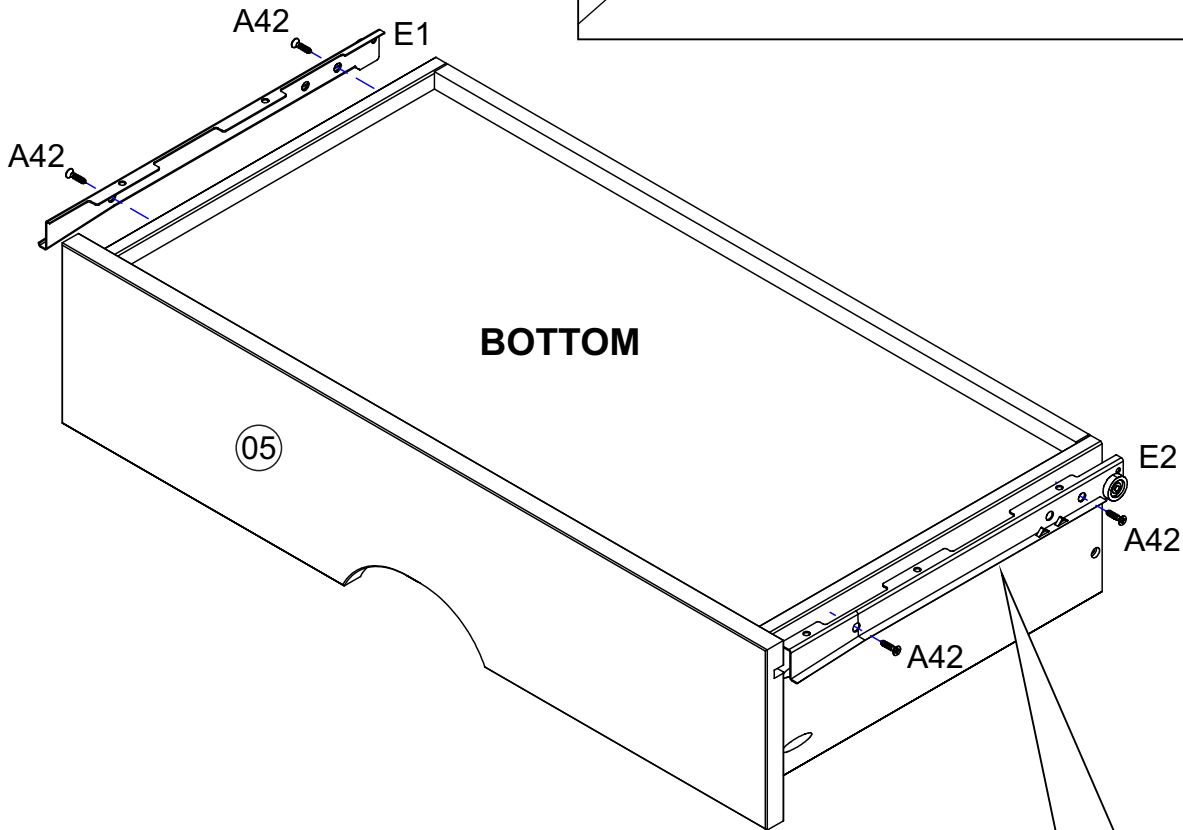
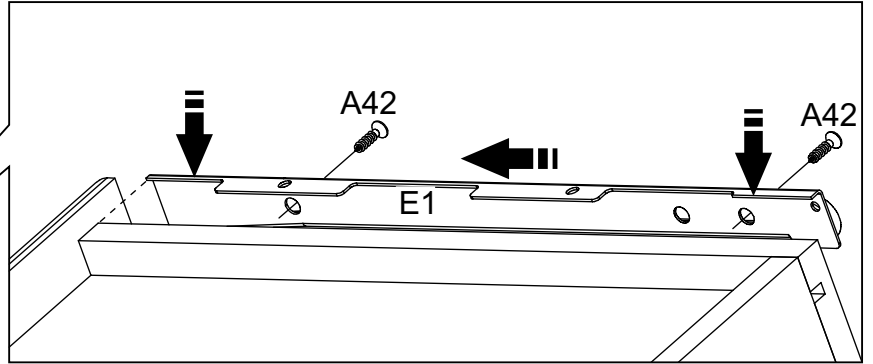



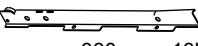

08)



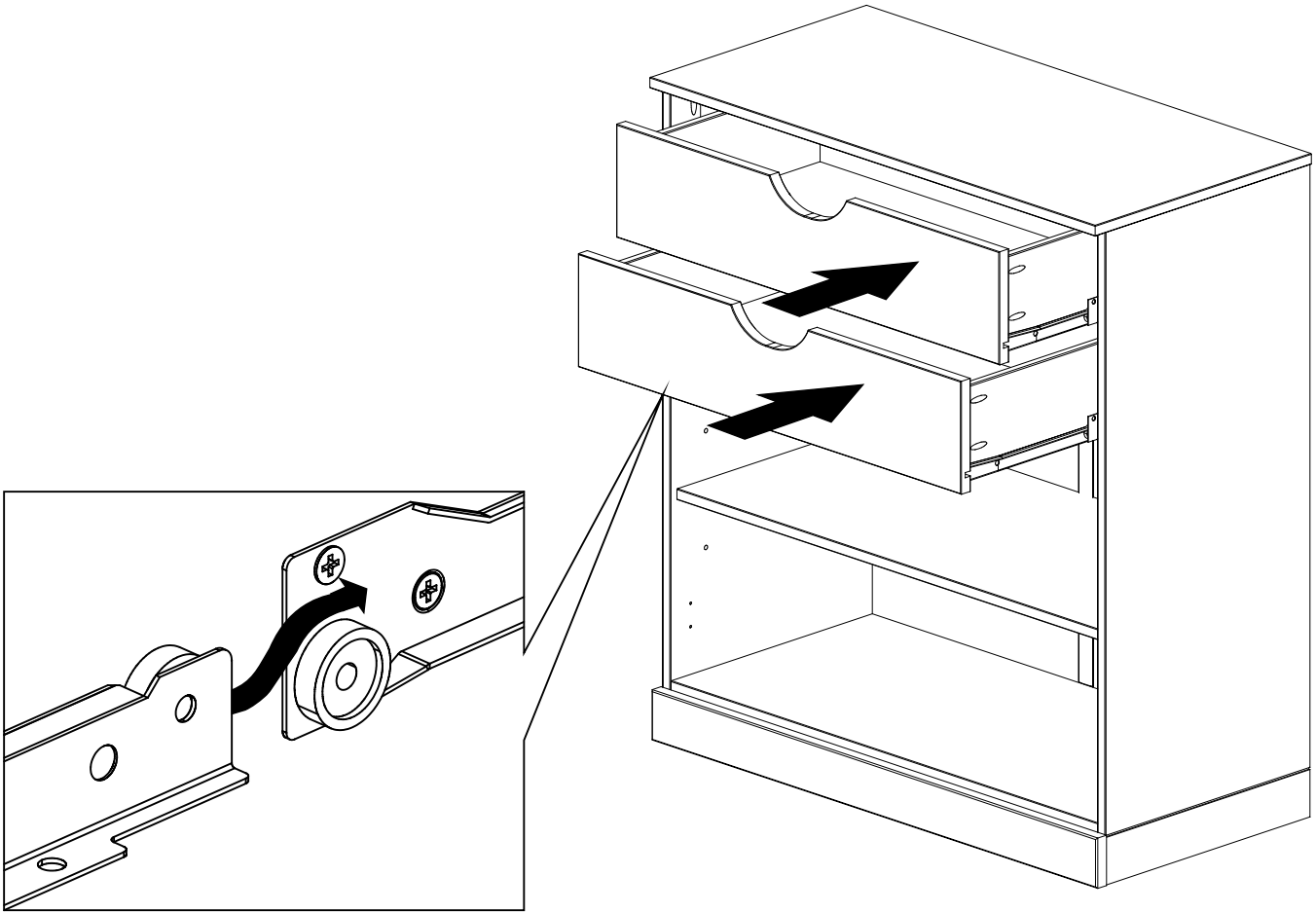
2x

Turn the assembled drawer
OVER to install glides

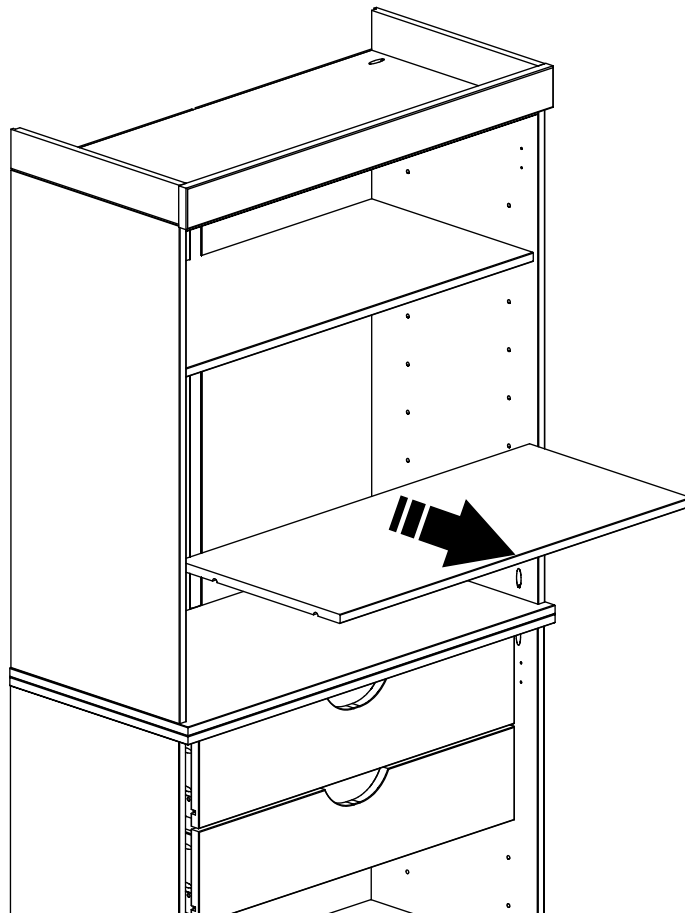


A42	 4.0x14	08
E1	 330mm - 13"	02
E2	 330mm - 13"	02

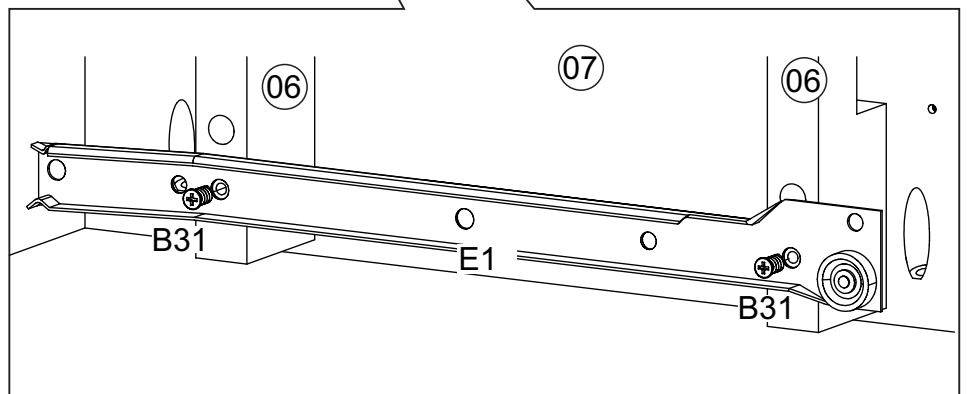
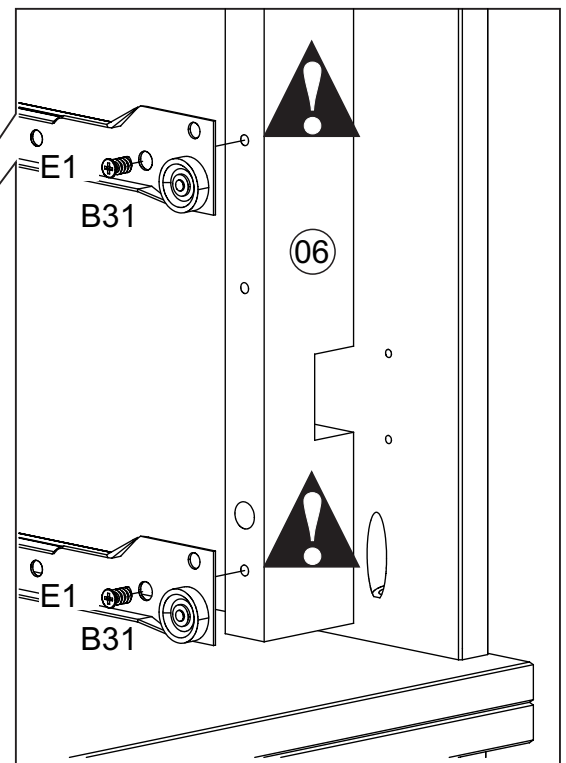
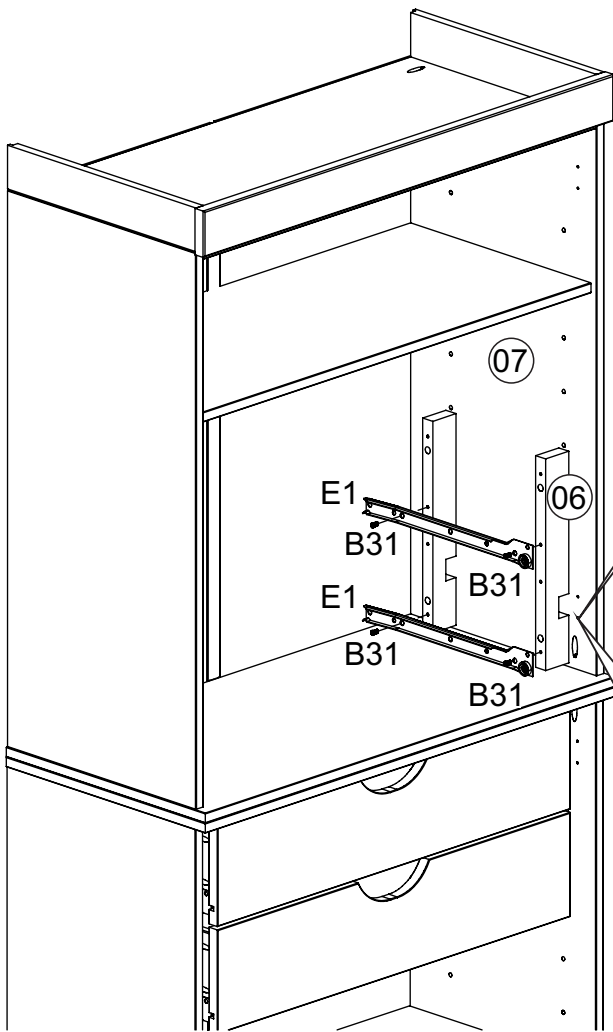
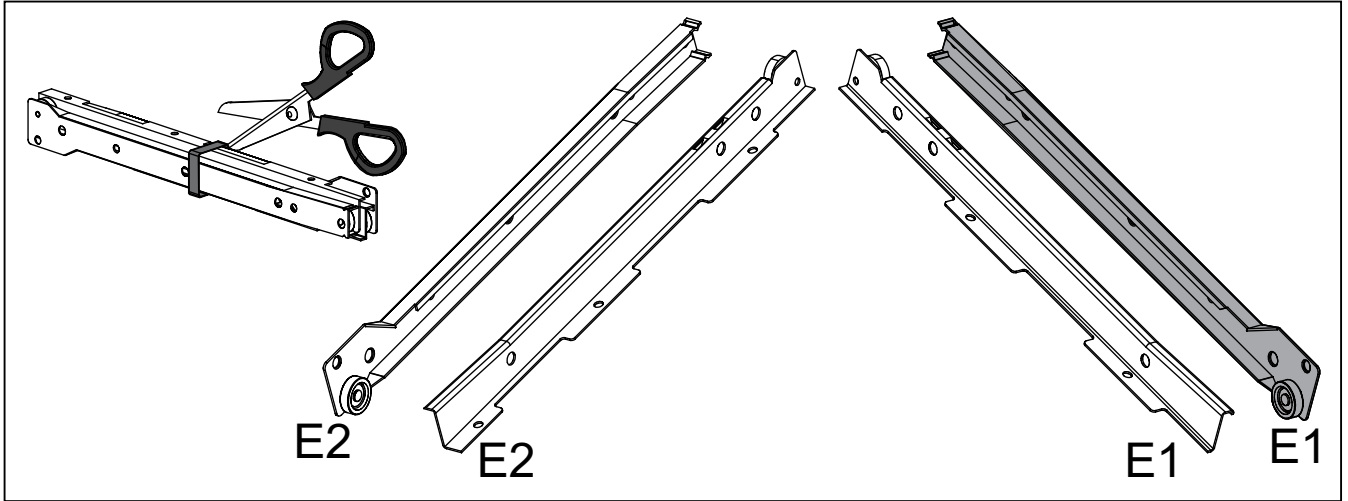
09)

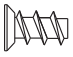
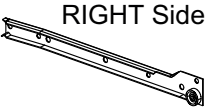


02) Adding second set of drawers for top cabinet (sold separately)

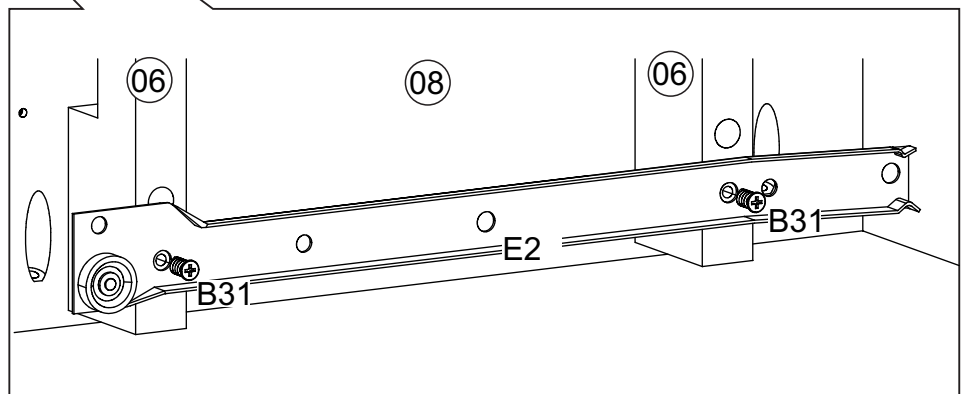
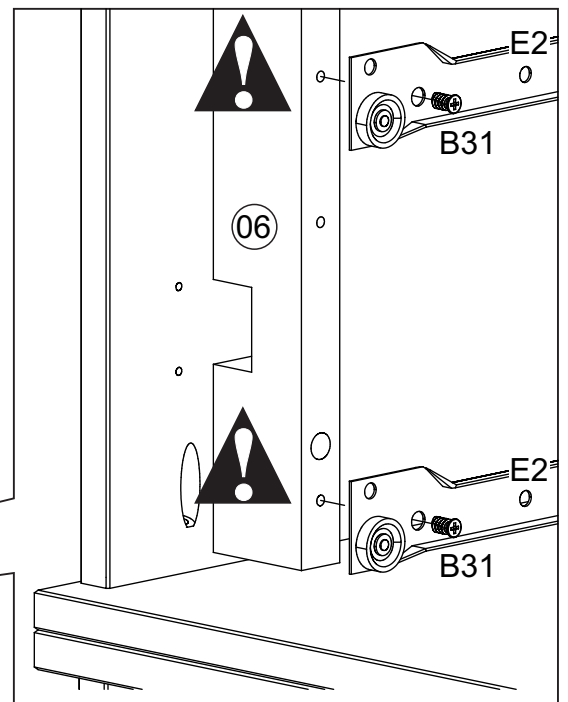
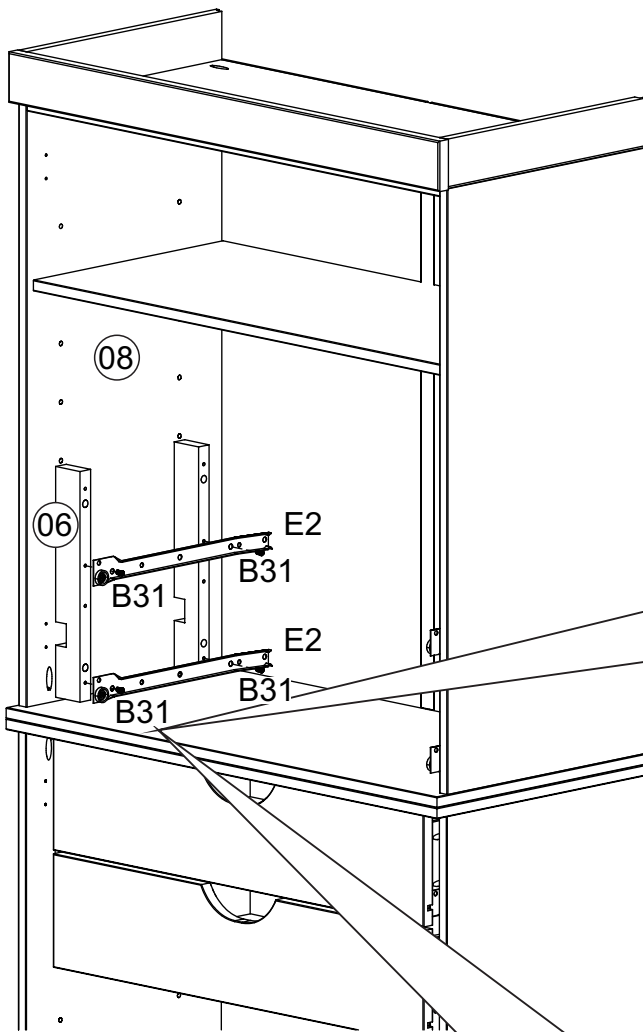
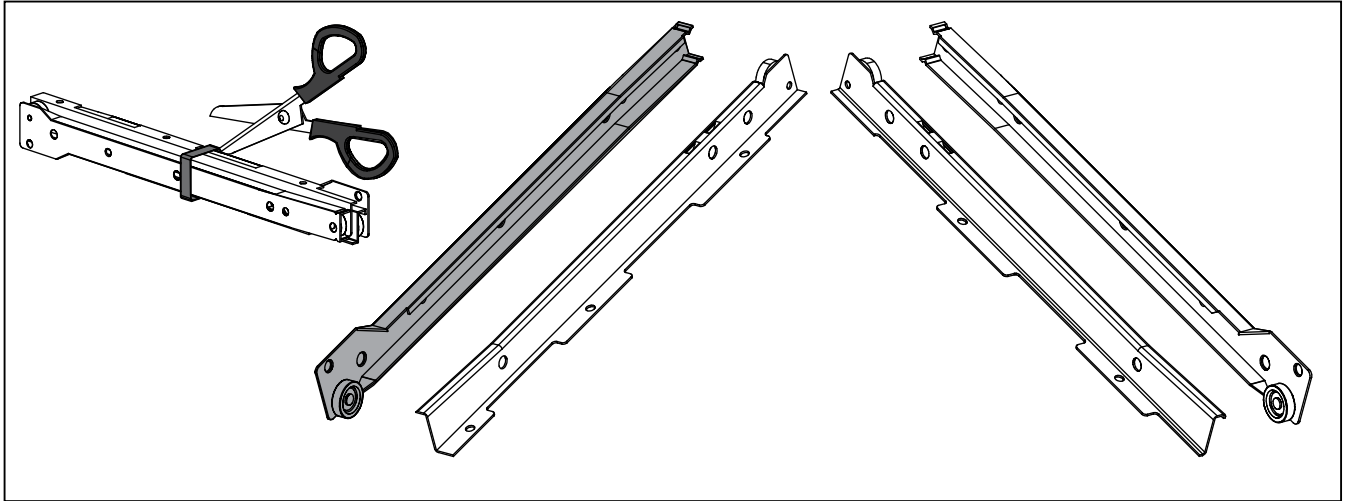



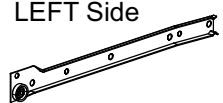
05) Adding second set of drawers for top cabinet (sold separately)



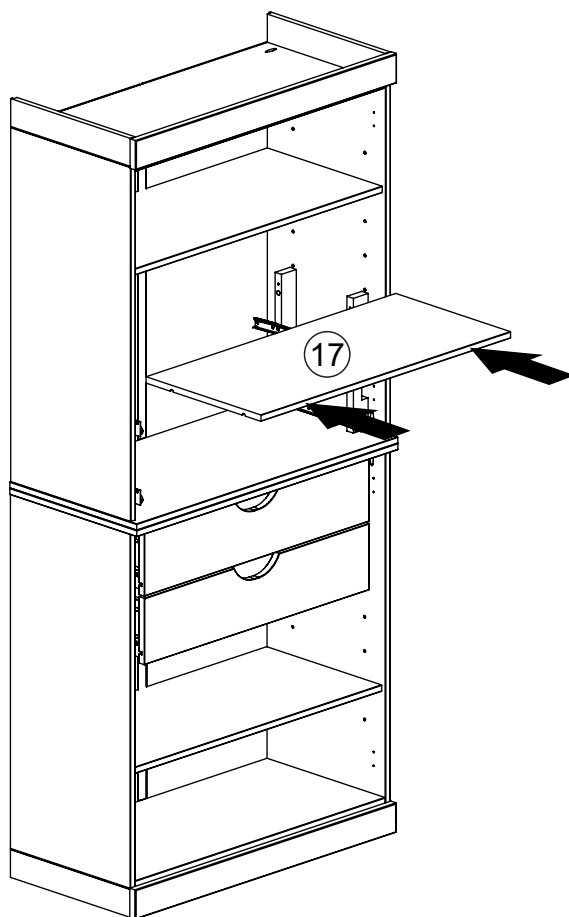
B31	 6,0x10	04
E1	 RIGHT Side	02

06) Adding second set of drawers for top cabinet (sold separately)



B31	 6,0x10	04
E2	LEFT Side 	02

07) Adding second set of drawers for top cabinet (sold separately)



08) Adding second set of drawers for top cabinet (sold separately)

