

ASSEMBLY INSTRUCTIONS

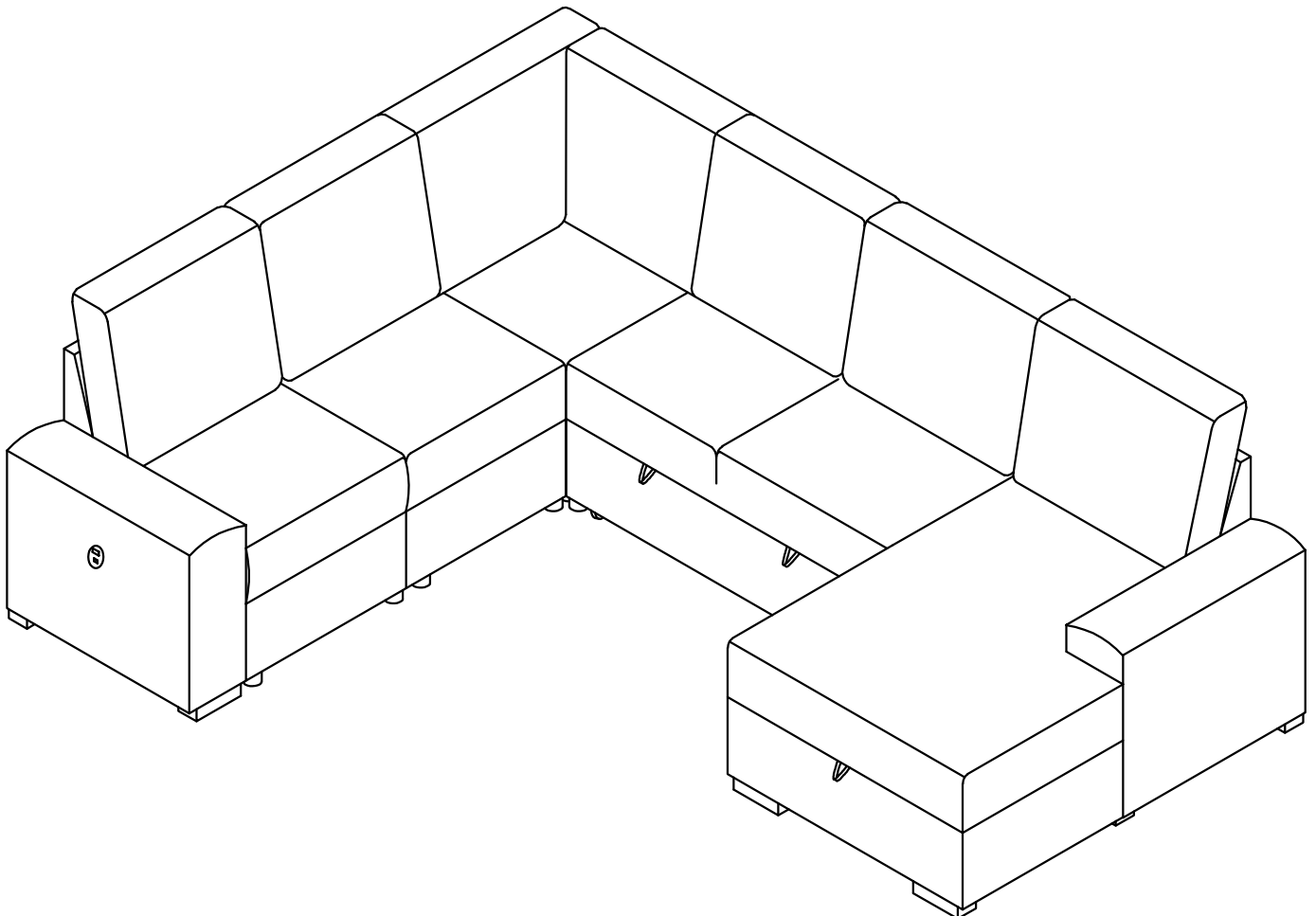
IMPORTANT NOTE

- ** Place all parts on a clean and smooth surface such as a rug or carpet to avoid the parts from being scratched.
- ** Before you begin, please review the assembly instruction step by step.

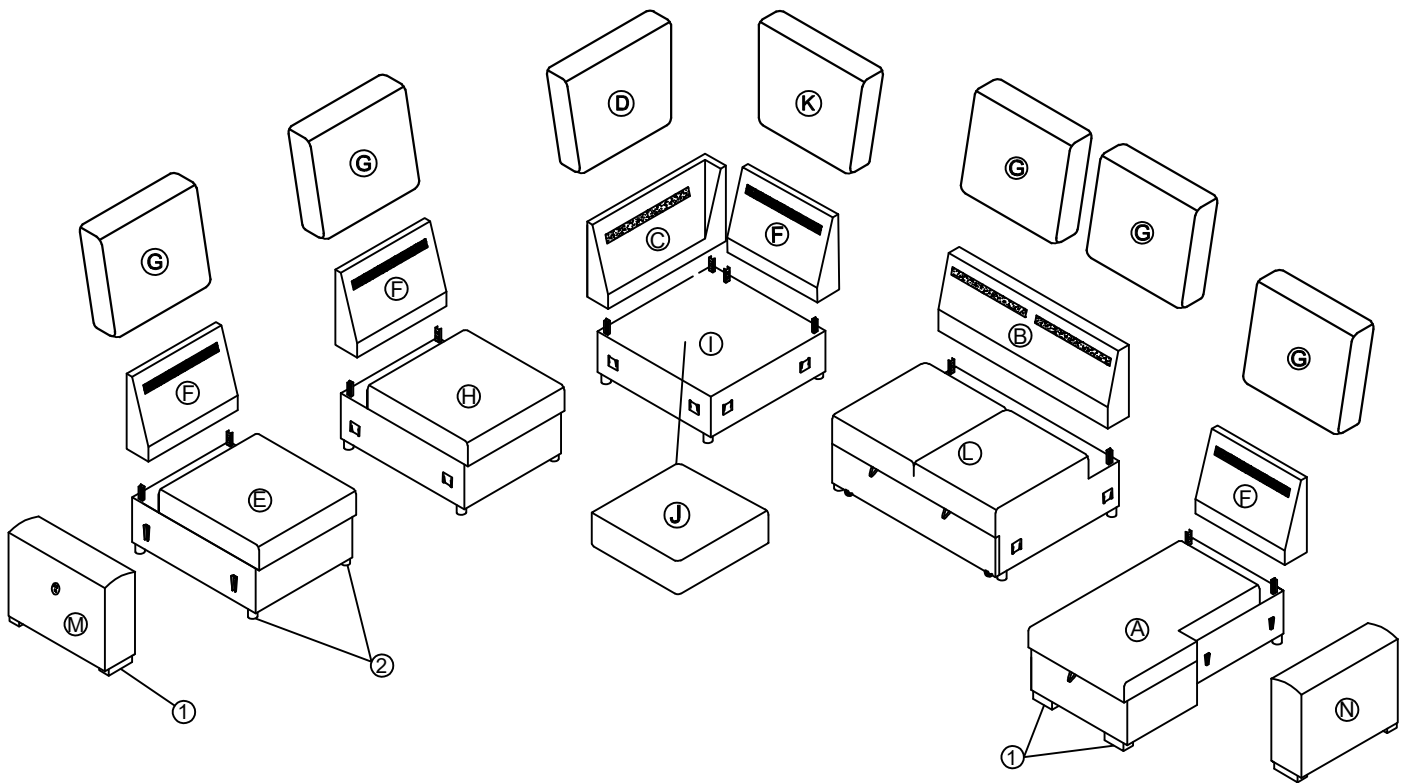
-We strive to offer the highest quality products. We also provide positive solutions with replacements or refund if needed.

-If the item is damaged or defective, please take photos to show the problem and email to the seller.

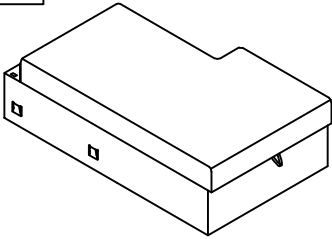
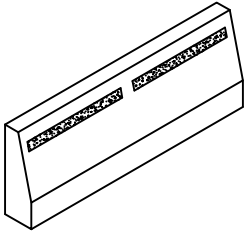
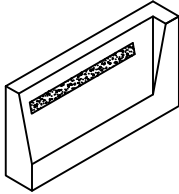

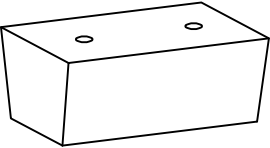
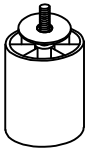



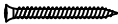


-Please do not return back the products before contact the seller.



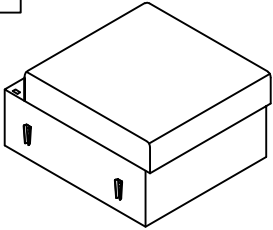
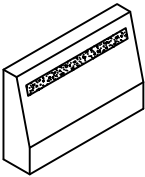

PART LIST



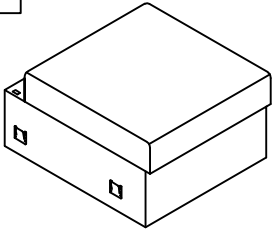
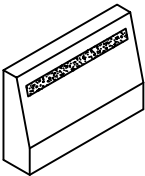
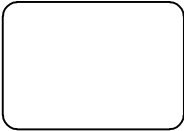
PART LISTS BOX 1

| | | | |
|---|--|--|--|
| A  CHAISE (1PC) | B  LOVESEAT BACKREST (1PC) | C  RIGHT ANGLE BACKREST (1PC) | D  RIGHT CORNER BACKREST CUSHION (1PC) |
| 1  LEG (6 PCS) | 2  LEG (18 PCS) | 3  WHEEL (4 PCS) | 4  PAS (12PCS) |
| 5  BOLT 5/16" x 50 mm (12 PSC) | 6  SCREW M4*30 (16PCS) | 7  ALLEN Ø5X100X30 MM (1PC) |  Phillips Screwdriver (Not included) |

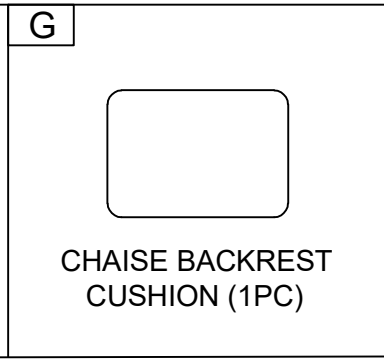
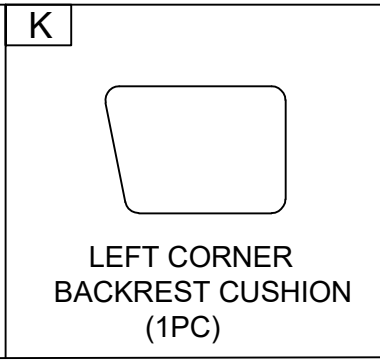
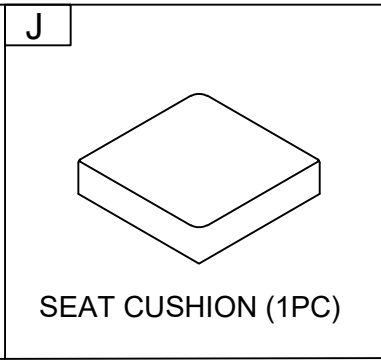
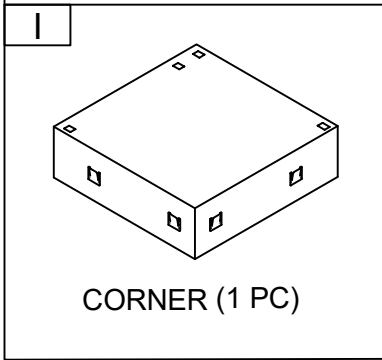
PART LISTS BOX 2

| | | |
|---|--|--|
| E  CHAIR WITH ARM (1 PC) | F  CHAIR BACKREST (2PCS) | G  CHAIR BACKREST CUSHION (1PC) |
|---|--|--|

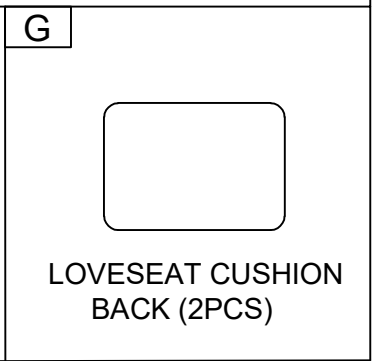
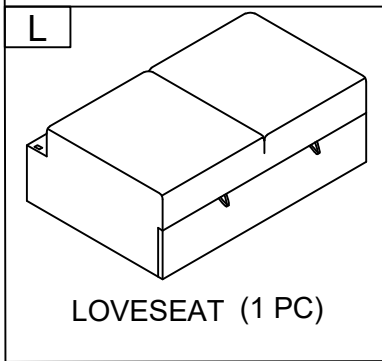
PART LISTS BOX 3

| | | |
|--|--|--|
| H  ARMLESS CHAIR (1 PC) | F  CHAIR BACKREST (2PCS) | G  CHAIR BACKREST CUSHION (1PC) |
|--|--|--|

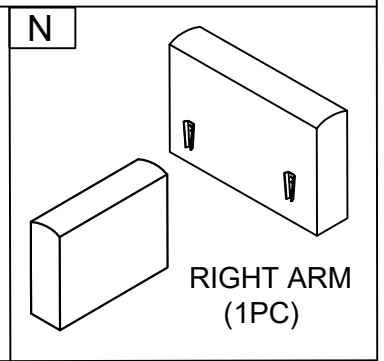
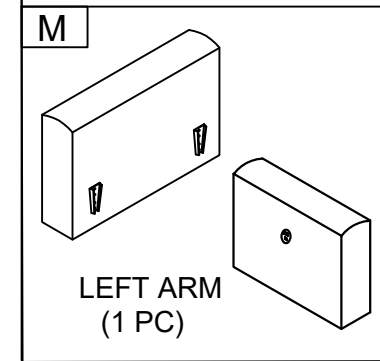
PART LISTS BOX 4



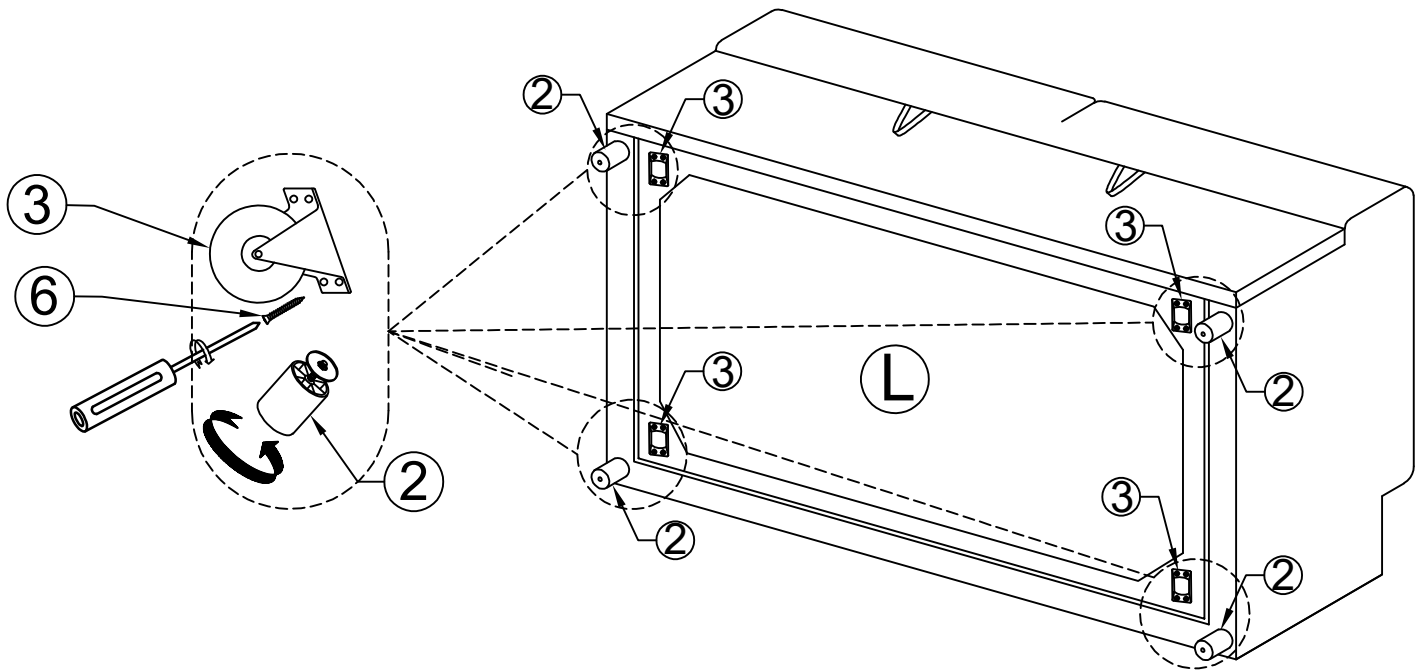
PART LISTS BOX 5



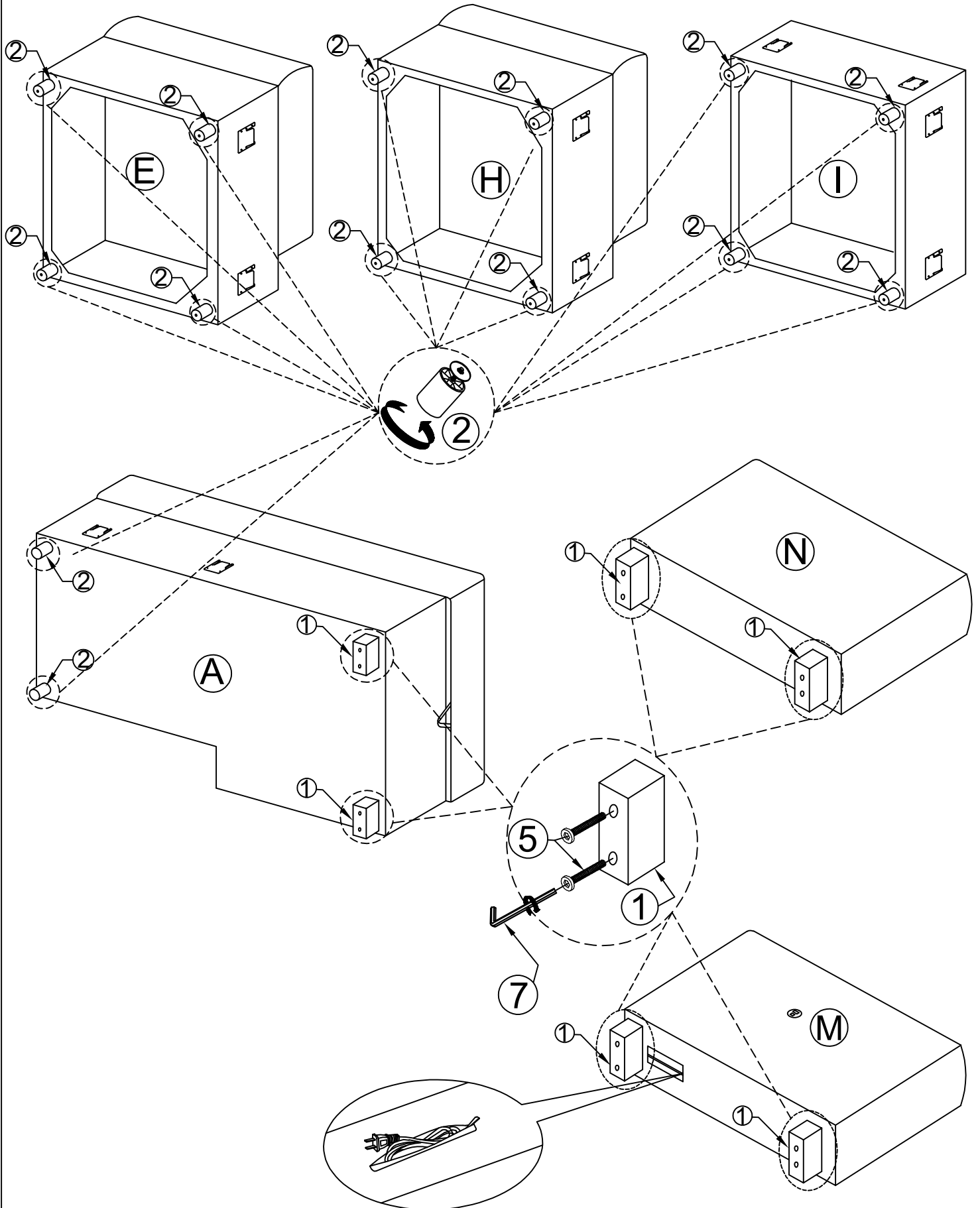
PART LISTS BOX 6



Step 1: ①*1,②*4,③*4,⑥*16

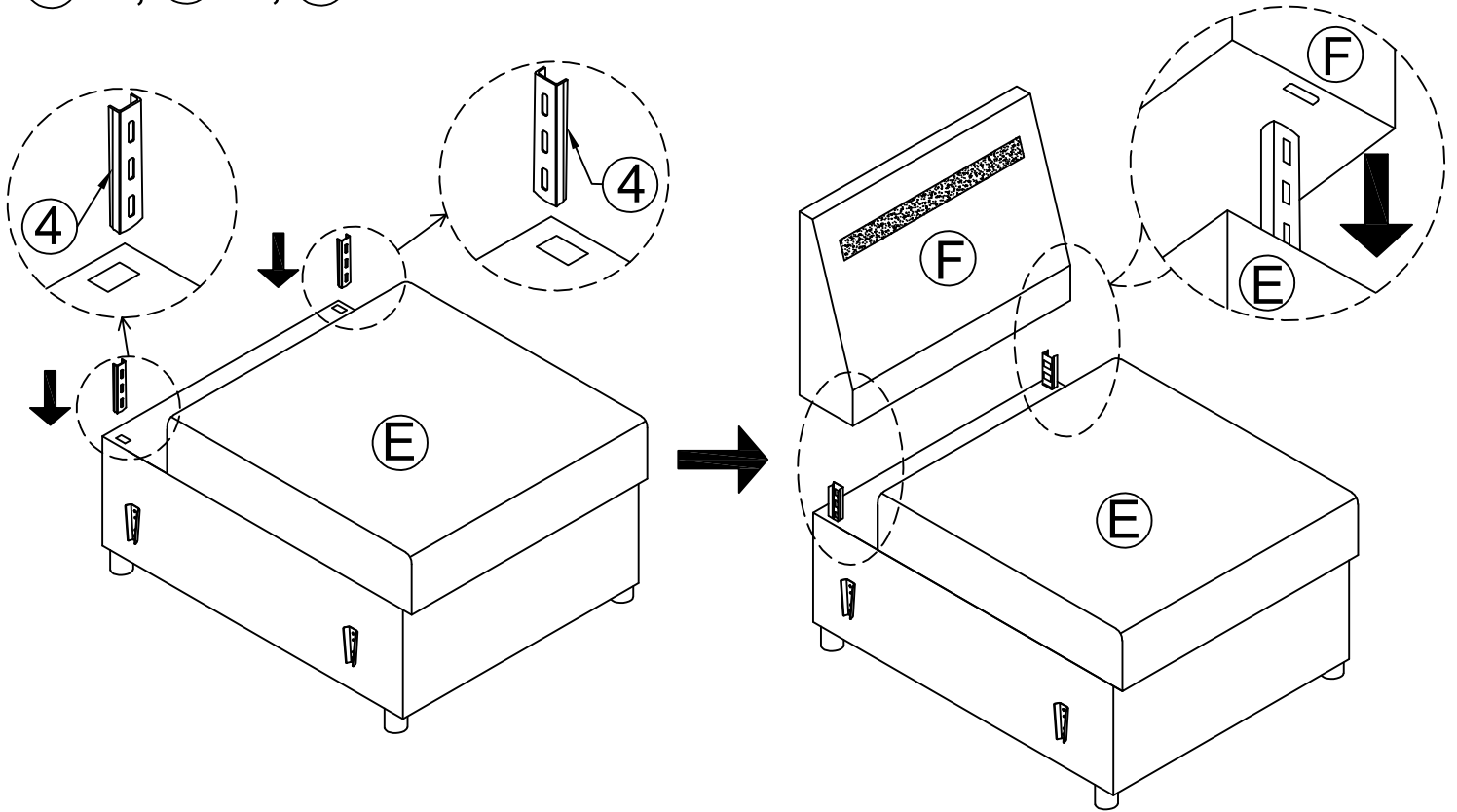


Step 2: (E)*1, (H)*1, (I)*1, (A)*1, (N)*1, (M)*1, (1)*6, (2)*14, (5)*12, (7)*1



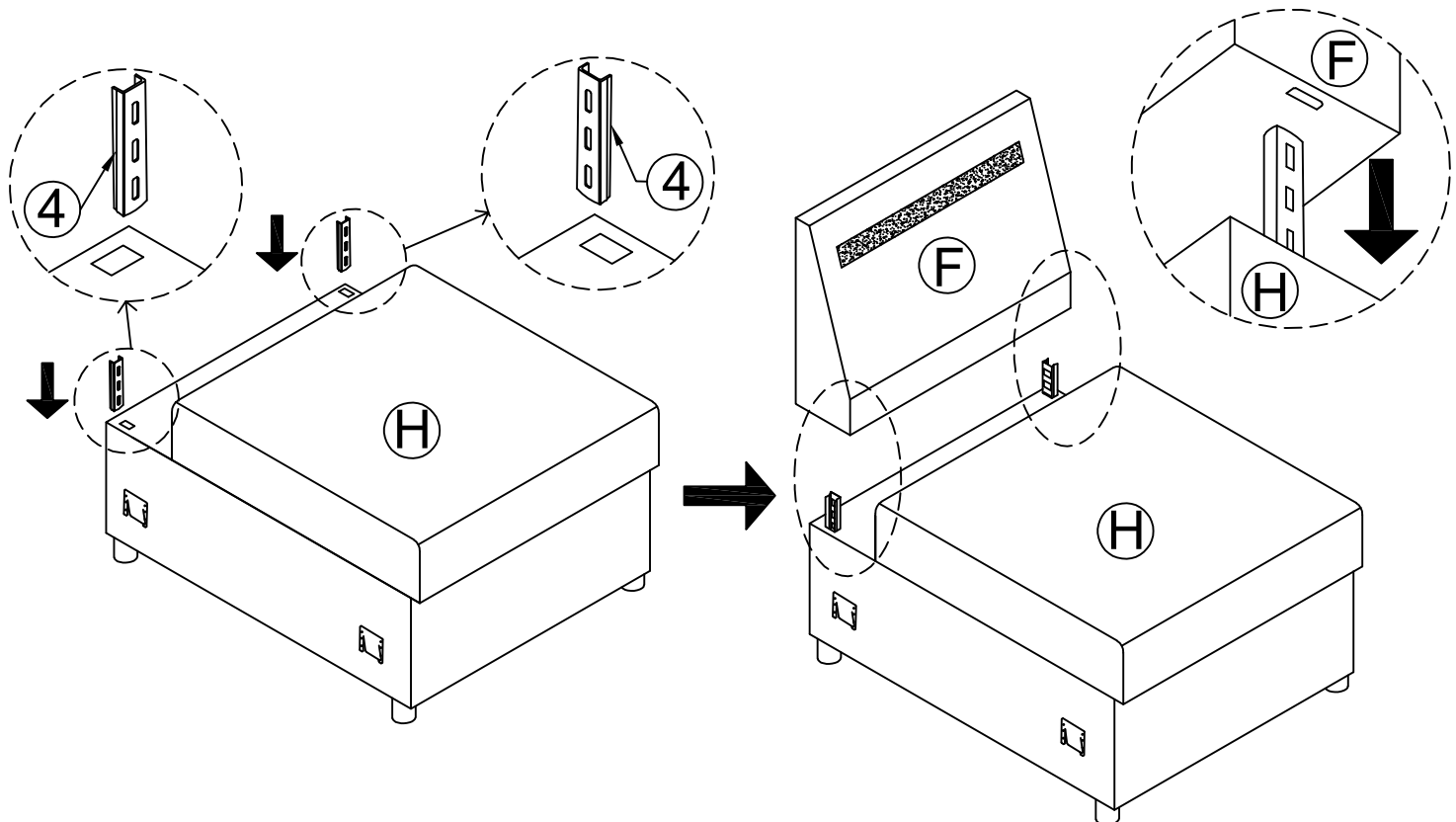
Step 3:

ⓔ*1, ⓕ*1, ④*2



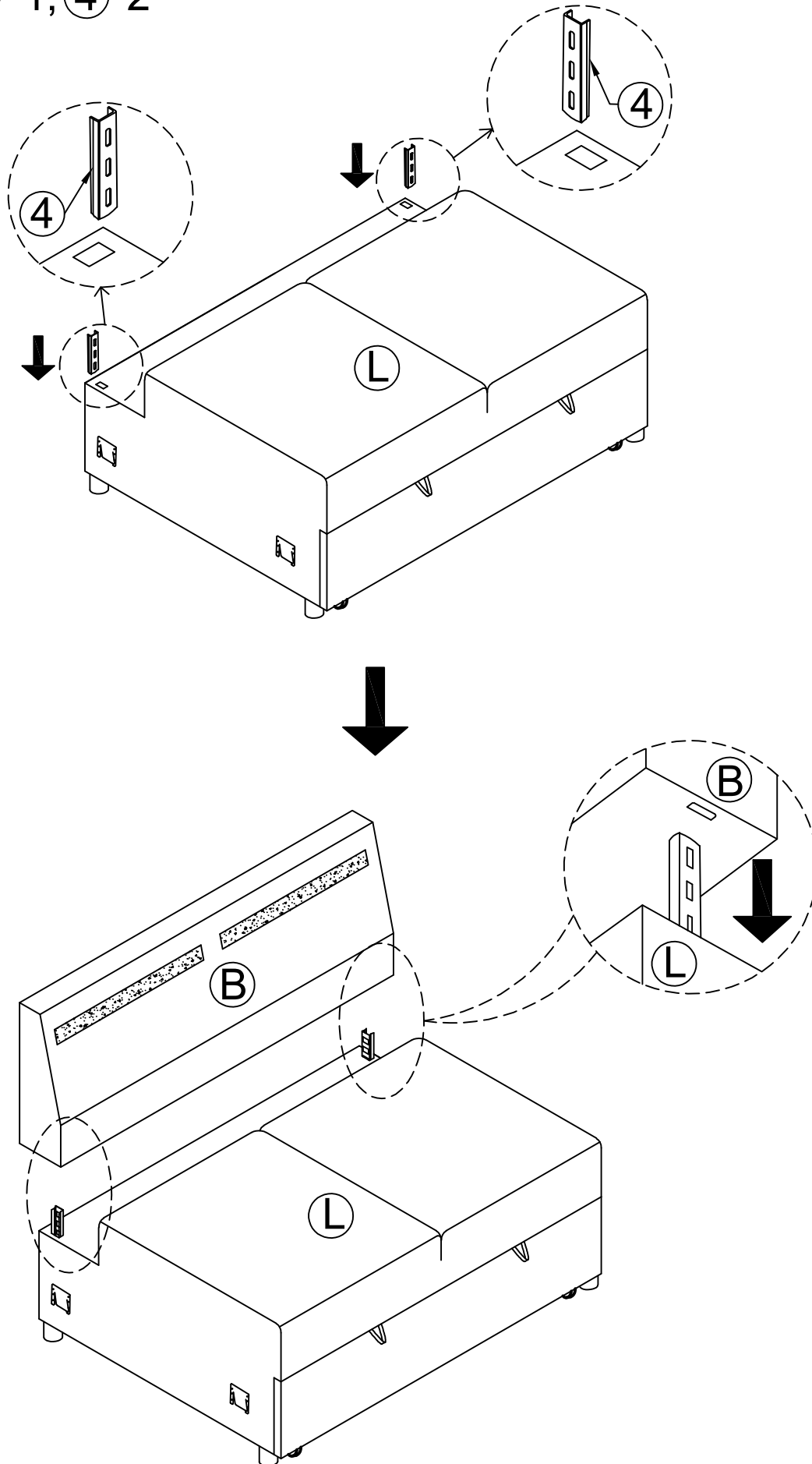
Step 4:

ⓓ*1, ⓕ*1, ④*2



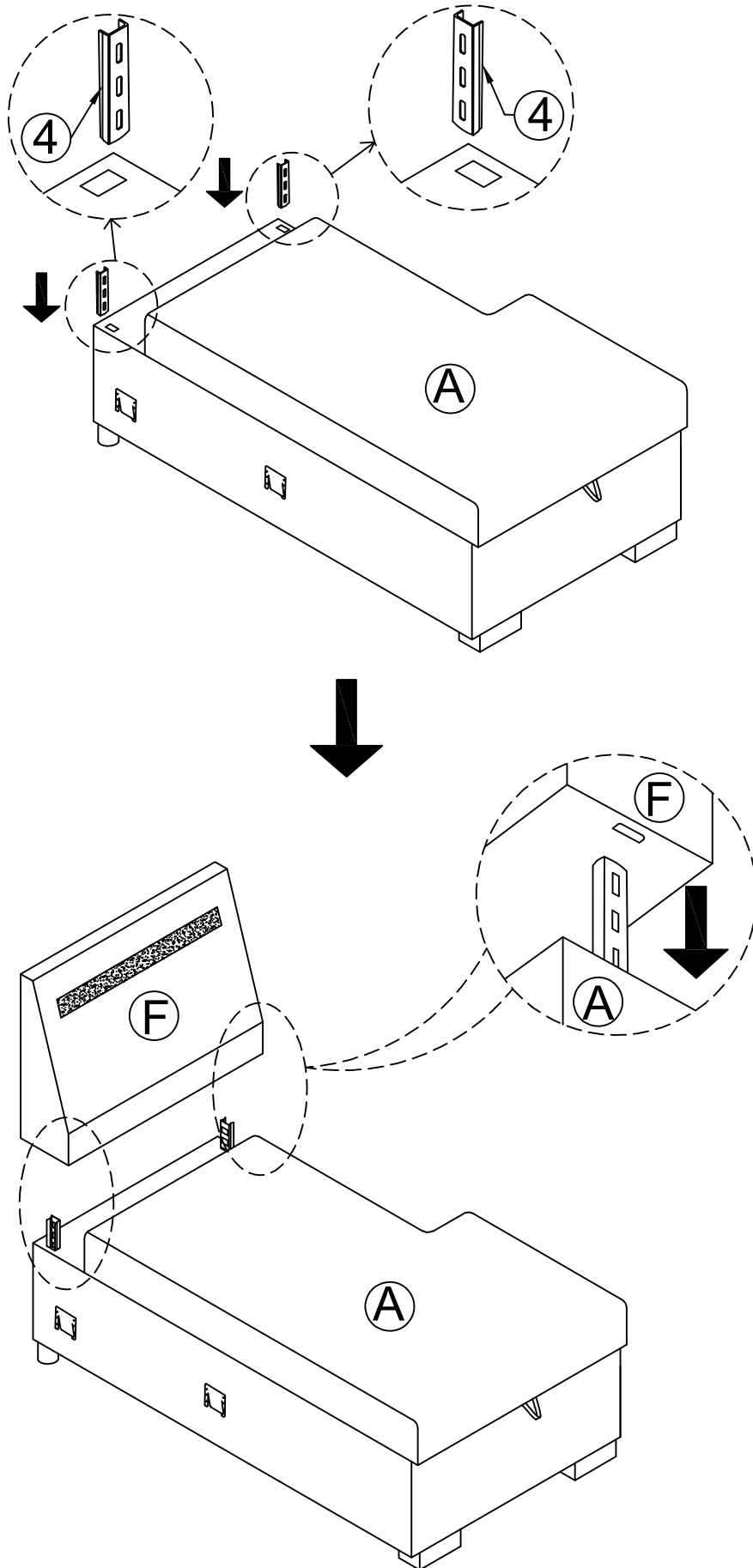
Step 5:

Ⓛ*1, ⓑ*1, ④*2



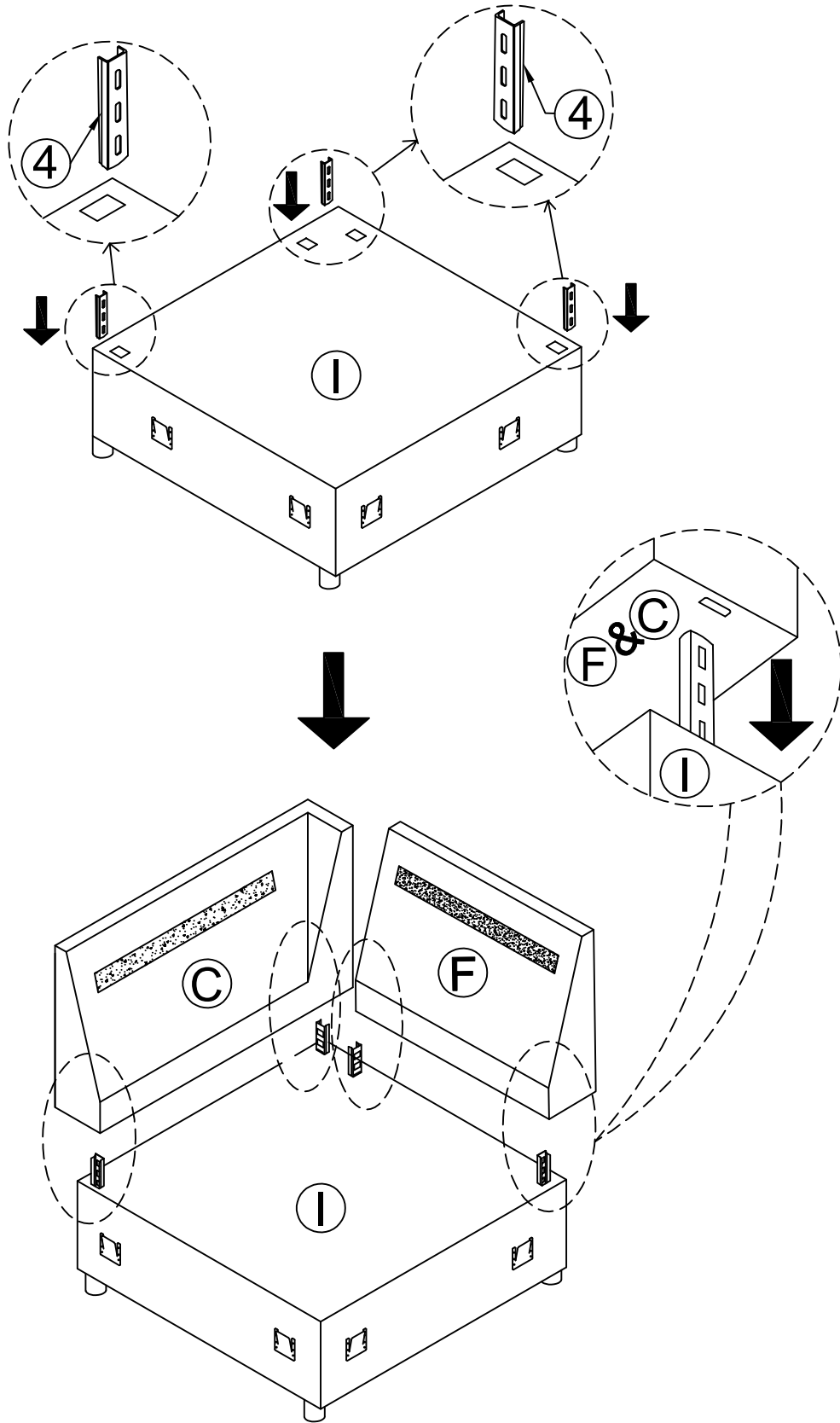
Step 6:

Ⓐ*1, Ⓕ*1, ④*2

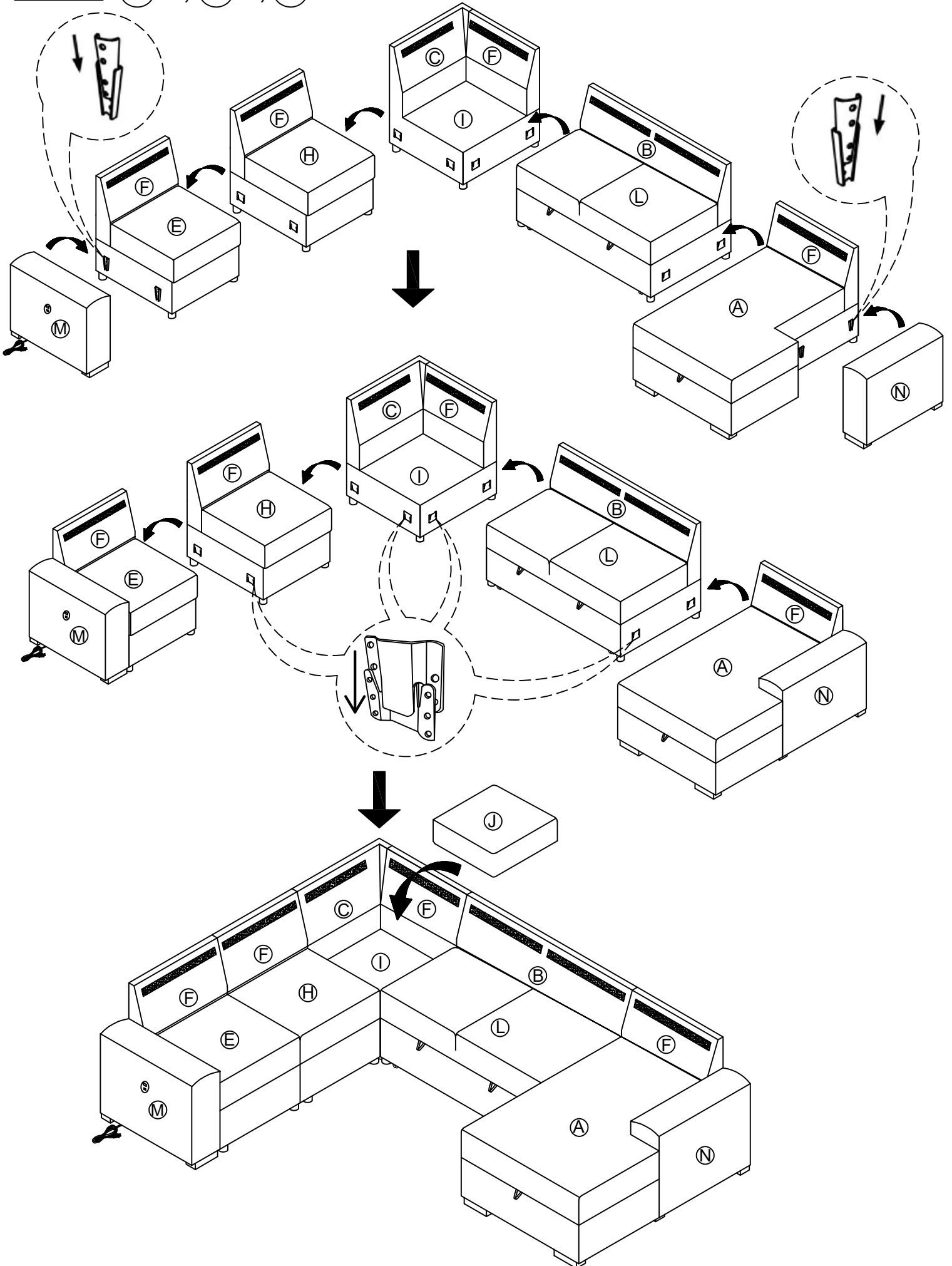


Step 7:

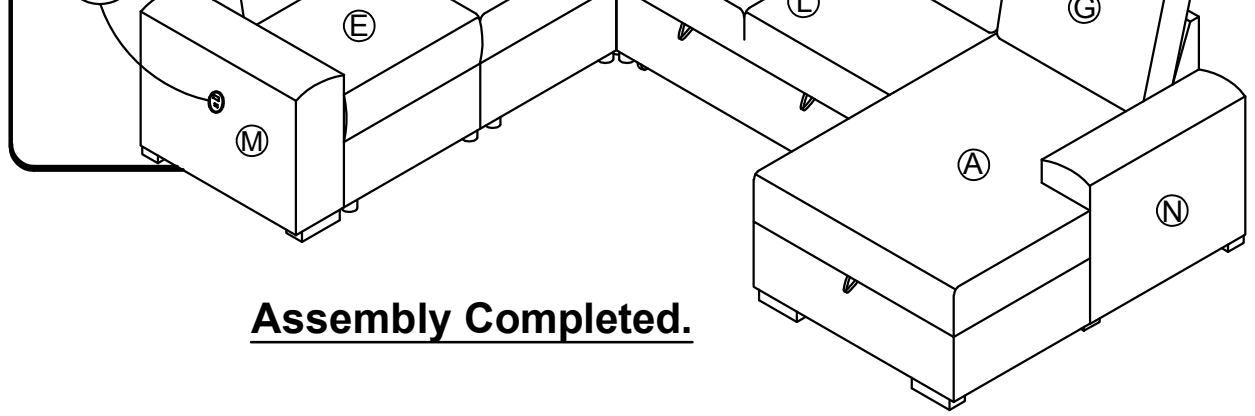
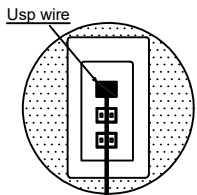
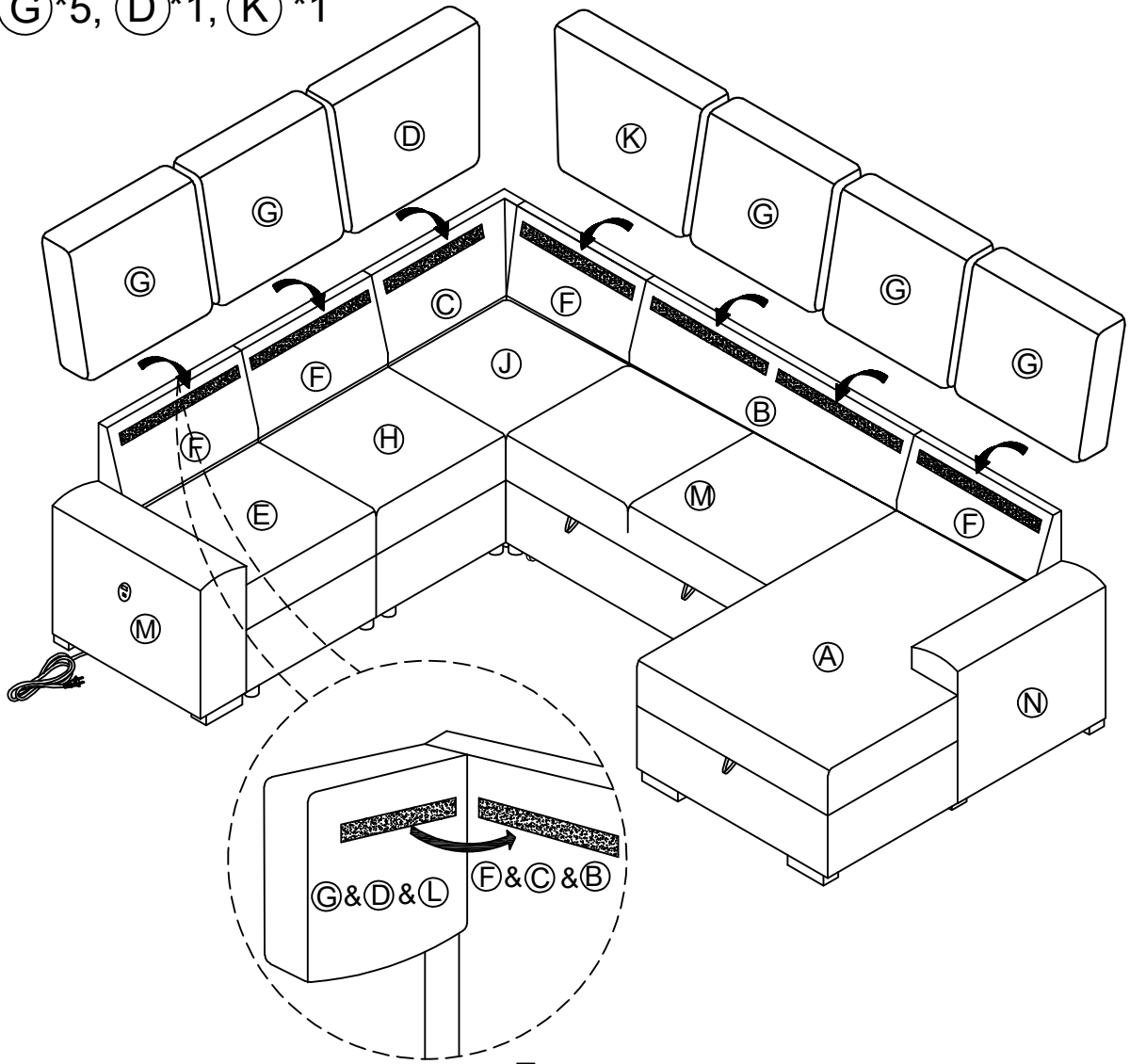
Ⓡ*1, Ⓡ*1, Ⓡ*1, ④*4



Step 8: (M)*1, (N)*1, (J)*1



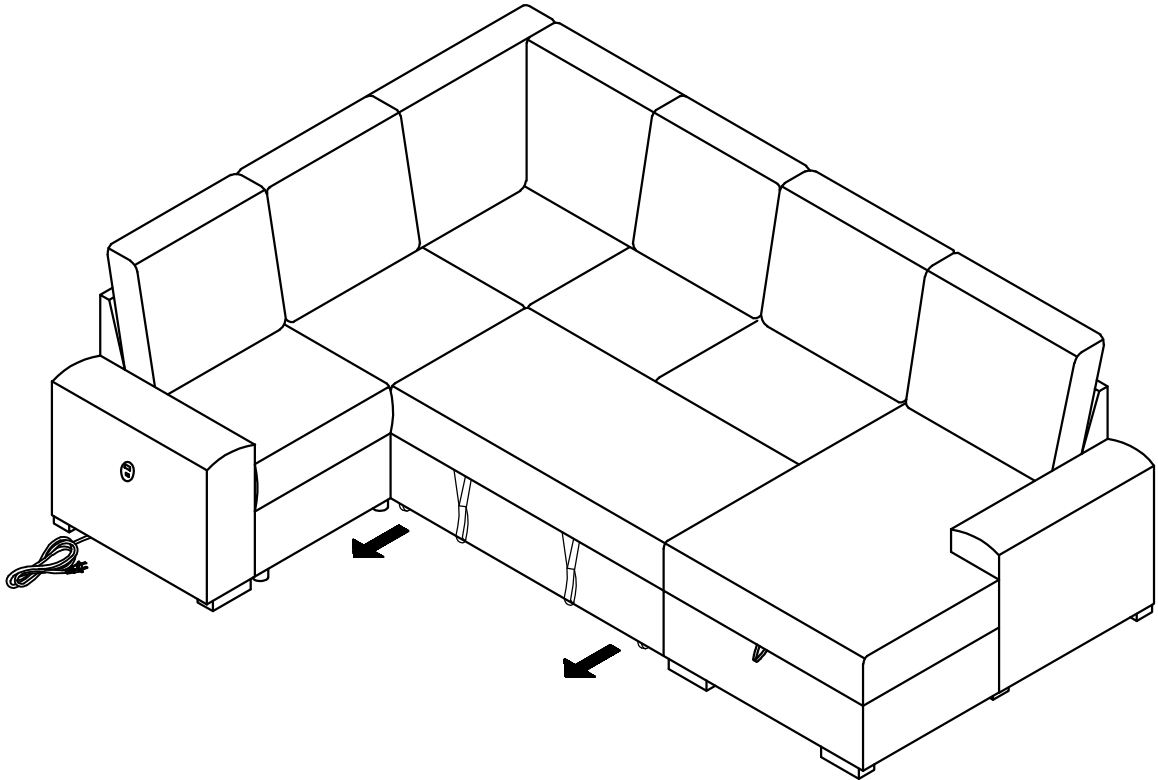
Step 9: (G)*5, (D)*1, (K)*1



Assembly Completed.

FUNCTIONS:

1



2

