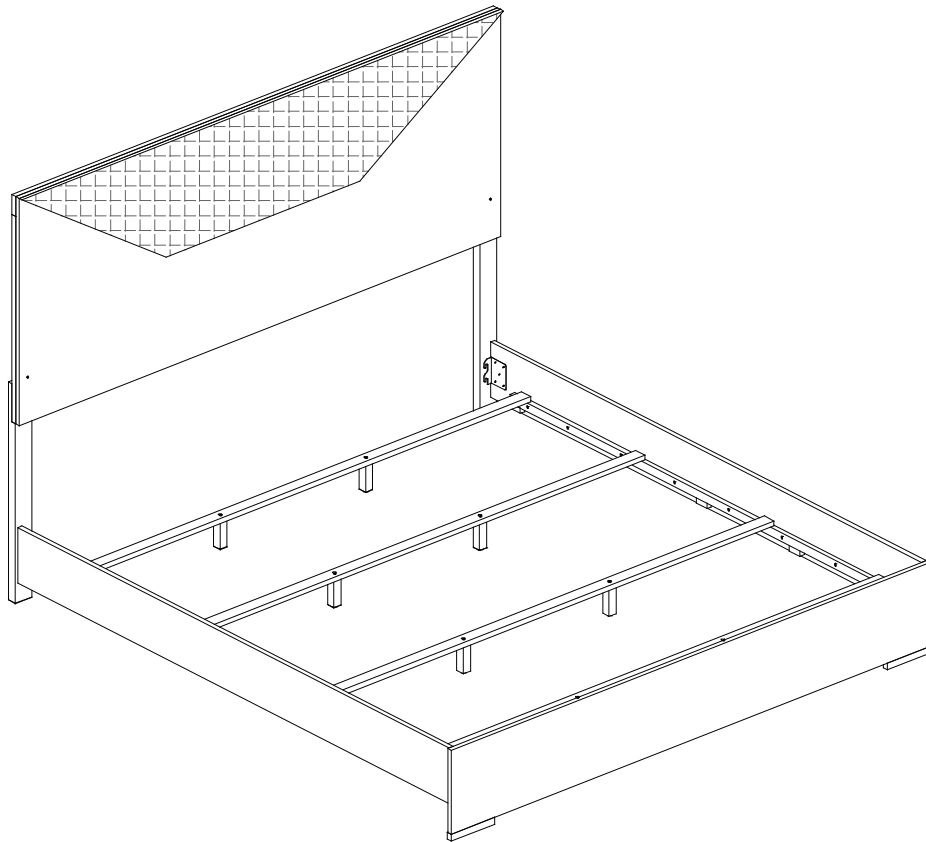


ASSEMBLY INSTRUCTIONS COASTER FINE FURNITURE



Fine Furniture for every stage of life

224941KE(B1&B2)
Eastern King Bed

ITEM: 224941KE(B1&B2)



ASSEMBLY INSTRUCTIONS

ASSEMBLY TIPS:

1. Remove hardware from box and sort by size.
2. Please check to see that all hardware and parts are present prior to start of assembly.
3. Please follow attached instructions in the same sequence as numbered to assure fast & easy assembly.



WARNING!

1. Don't attempt to repair or modify parts that are broken or defective. Please contact the store immediately.
2. This product is for home use only and not intended for commercial establishments.



ASSEMBLY TIME

25 MINUTES

PARTS IDENTIFICATION

B1 (BOX 1)

A HEADBOARD PANEL  1PC

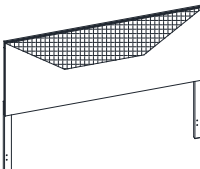
B LEFT HEADBOARD LEG (WITH "L" LABEL)  1PC

C RIGHT HEADBOARD LEG (WITH "R" LABEL)  1PC

D FOOTBOARD  1PC

B2 (BOX 2)

H BED RAIL  2PCS

HB 224941KE (B1) FROM BOX 1 HEADBOARD COMPLETE  1PC

E BED SLAT  4PCS

F BED SLAT SUPPORT WITH LEVELER  8PCS

G ADAPTER  1PC

D 224491KE (B1) FROM BOX 1 FOOTBOARD  1PC

ITEM: 224941KE(B1&B2)



ASSEMBLY INSTRUCTIONS

ASSEMBLY TIPS:

1. Remove hardware from box and sort by size.
2. Please check to see that all hardware and parts are present prior to start of assembly.
3. Please follow attached instructions in the same sequence as numbered to assure fast & easy assembly.









WARNING!

1. Don't attempt to repair or modify parts that are broken or defective. Please contact the store immediately.
2. This product is for home use only and not intended for commercial establishments.

HARDWARE IDENTIFICATION

Z-B1 (BOX 1) - HARDWARE PACK IS LOCATED IN 224941KE (B1)

1	SMALL ALLEN WRENCH (M4 x 65MM - BLK)		1PC	4	BOLT (M6 x 30mm - RBW)		6PCS
2	BIG ALLEN WRENCH (M5 x 65MM - BLK)		1PC	5	LOCK WASHER (1/4" x 12ø - RBW)		6 PCS
3	FLAT HEAD SCREW (M4 x 32MM - RBW)		8PCS	6	FLAT WASHER (1/4" x 19ø - RBW)		6 PCS

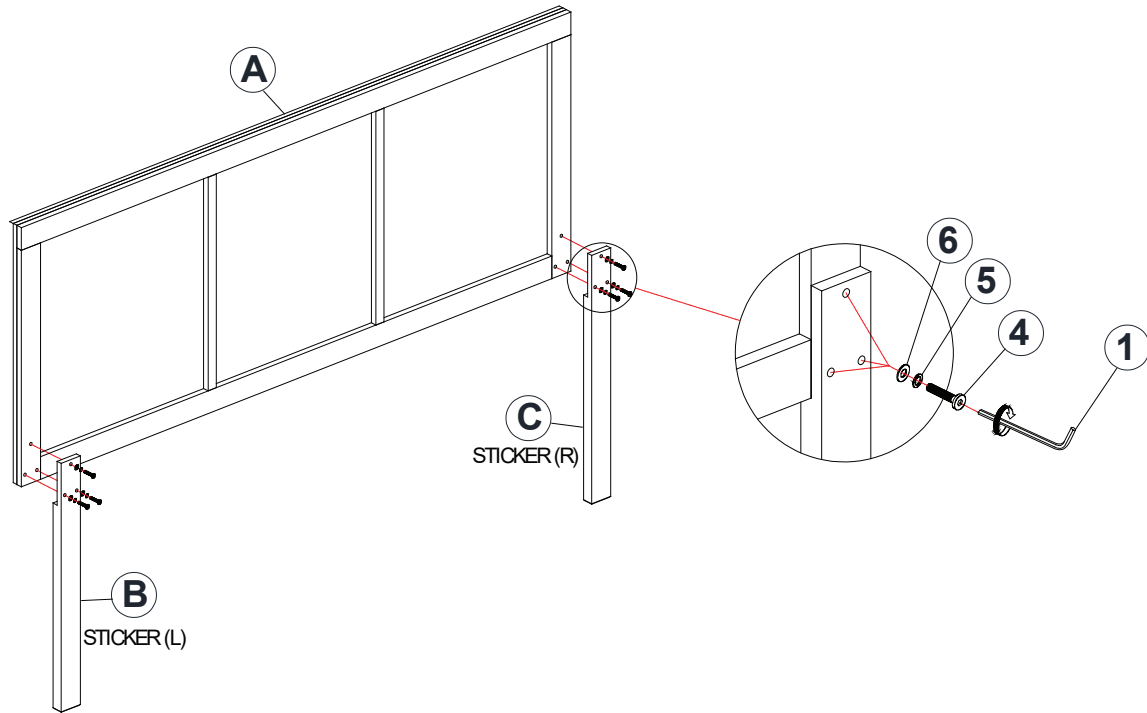
NOTE:

Phillips head screw driver is required in the assembly process; however, manufacturer does not provided this item.

ITEM: 224941KE(B1&B2)

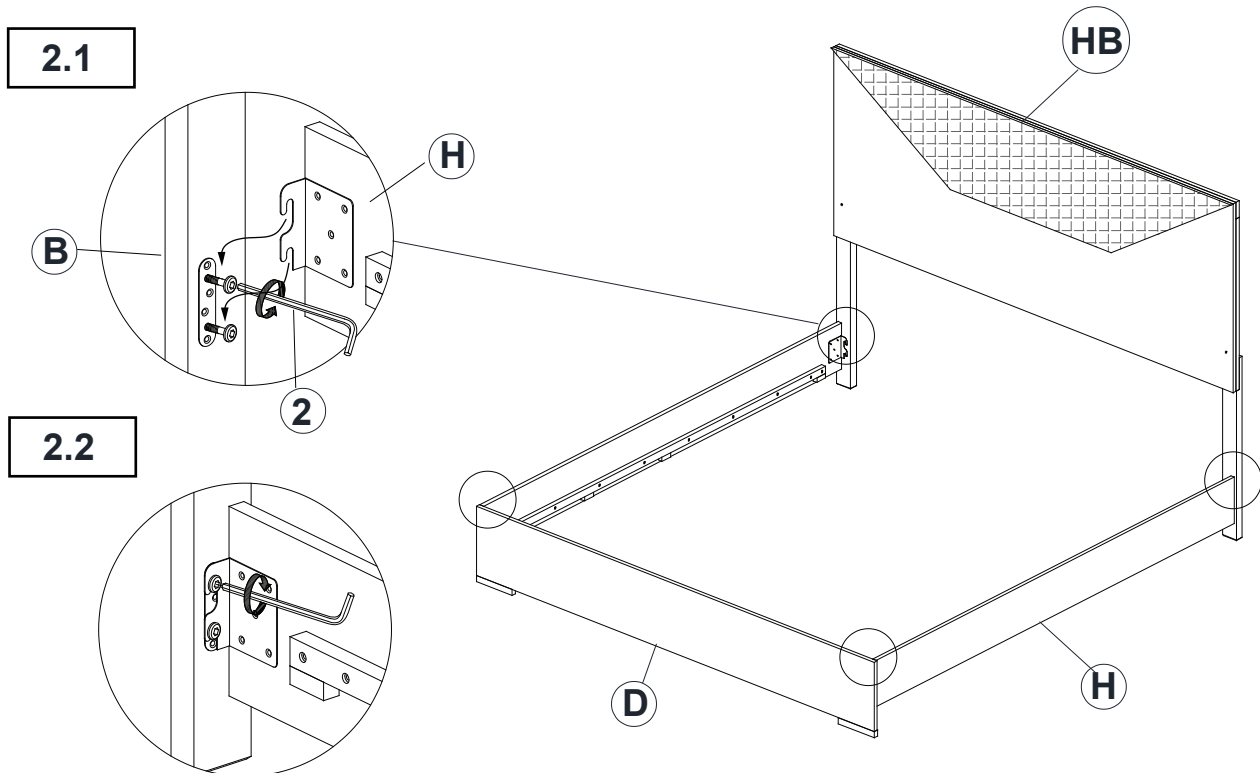
ASSEMBLY INSTRUCTIONS

STEP 1



**** BACK VIEW**

STEP 2

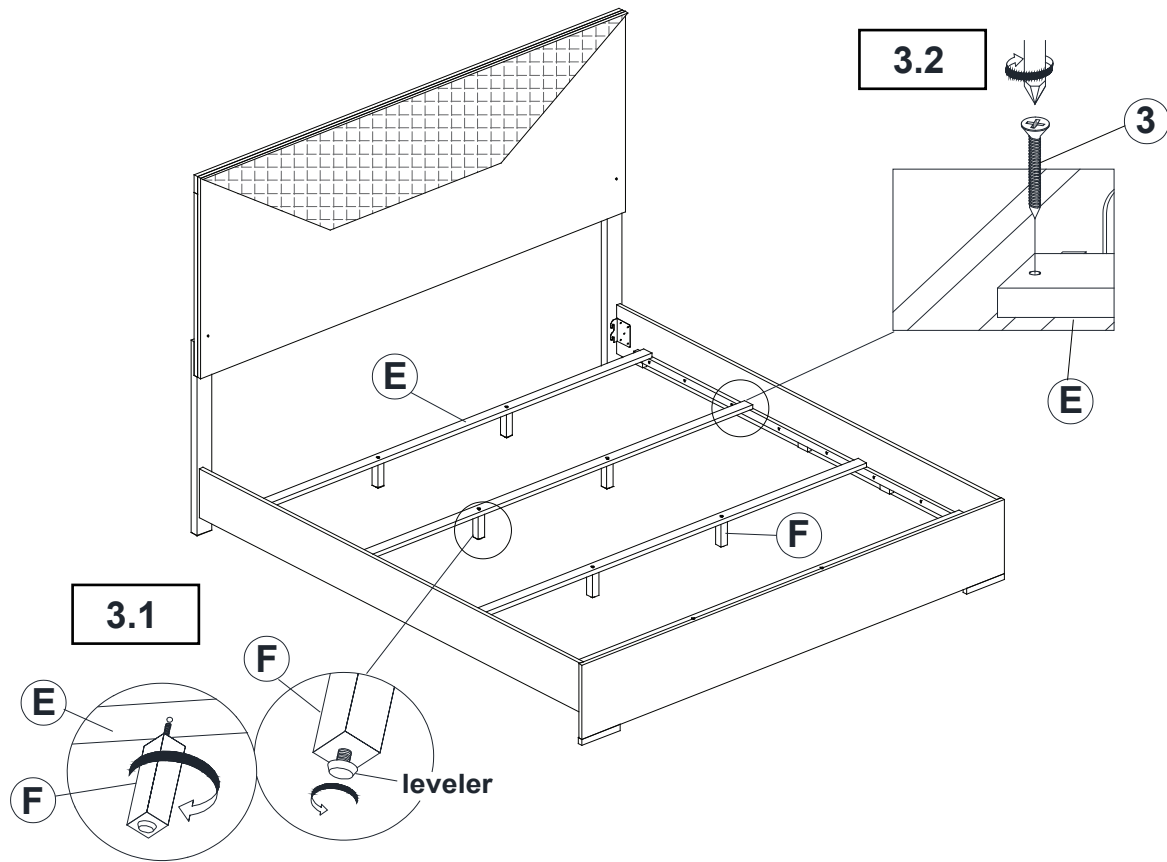


ITEM: 224941KE(B1&B2)

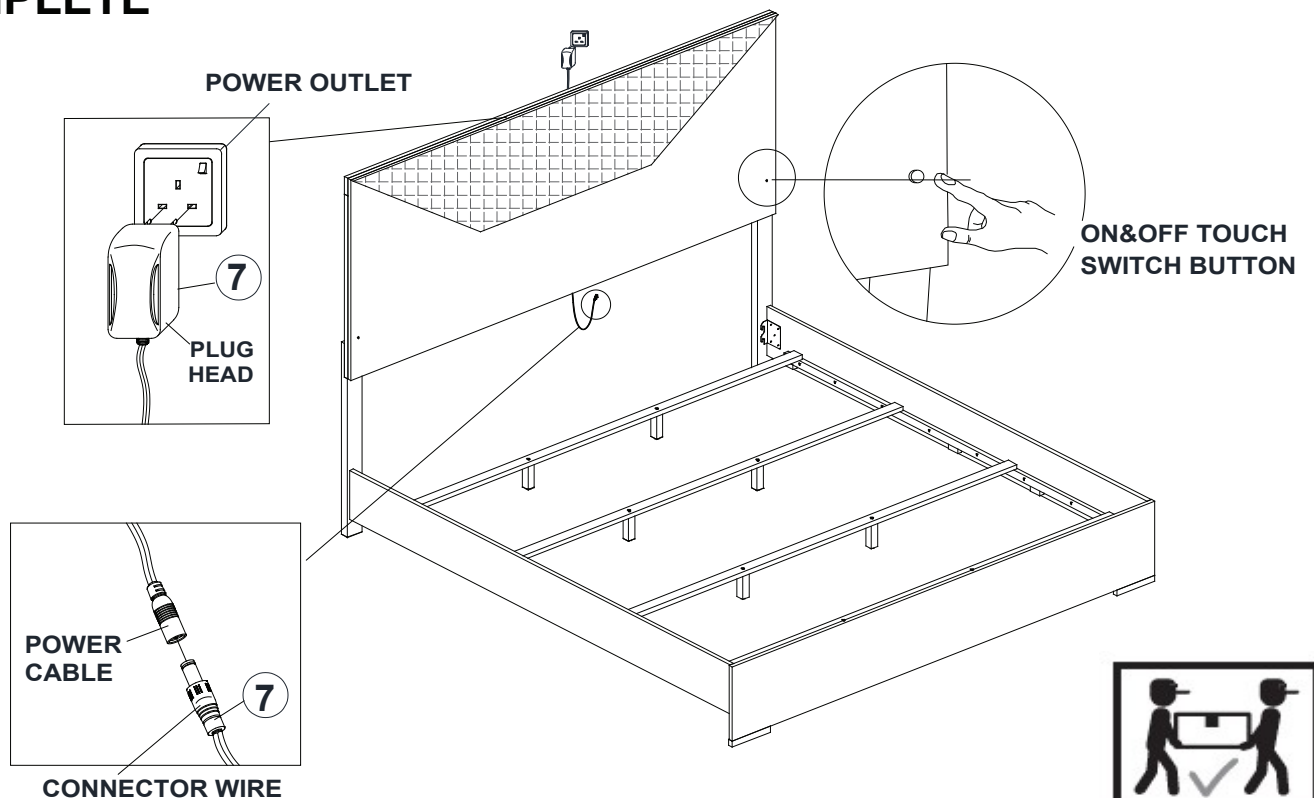


ASSEMBLY INSTRUCTIONS

STEP 3



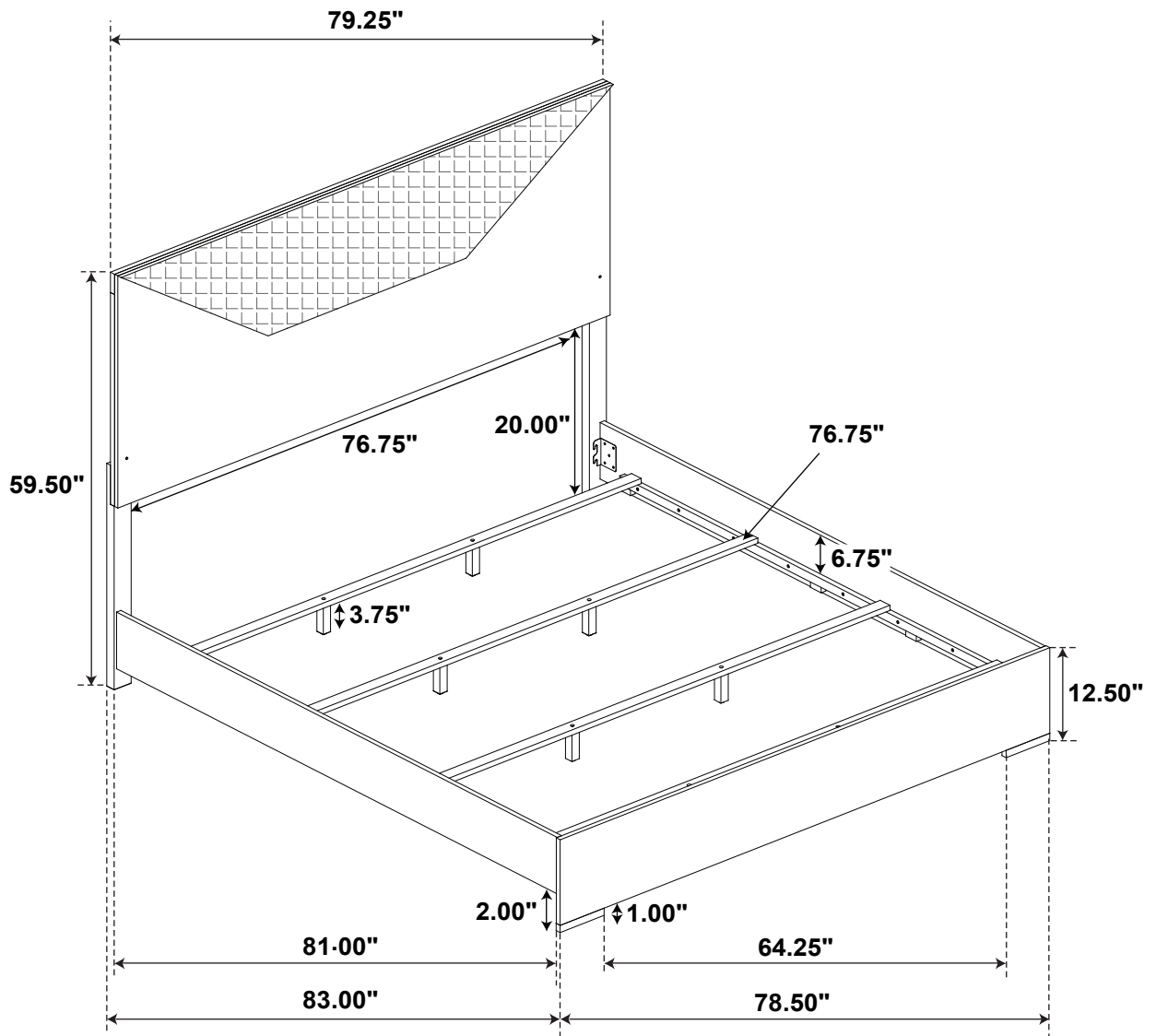
STEP 4 COMPLETE



ITEM: **224941KE(B1&B2)**

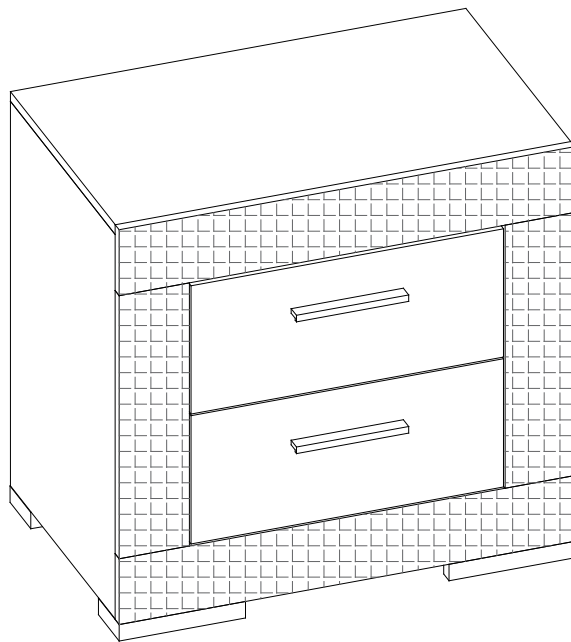


Inner Size : 77.00"W X 80.50"D



Note : Dimension tolerance $\pm 5\%$

ASSEMBLY INSTRUCTIONS
COASTER FINE FURNITURE



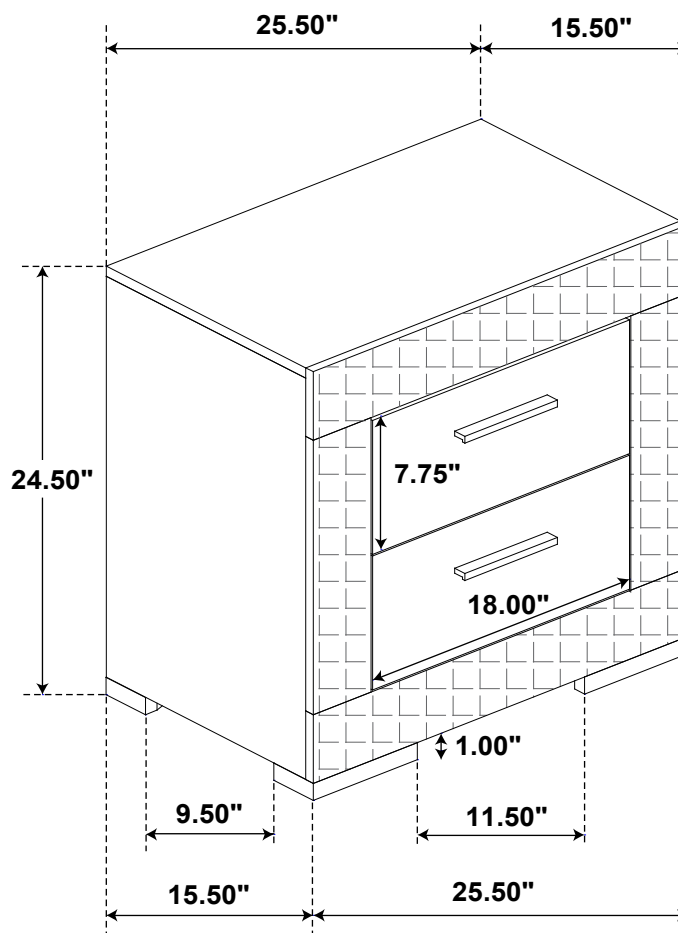
Fine Furniture for every stage of life

224942
Nightstand

ITEM: **224942**

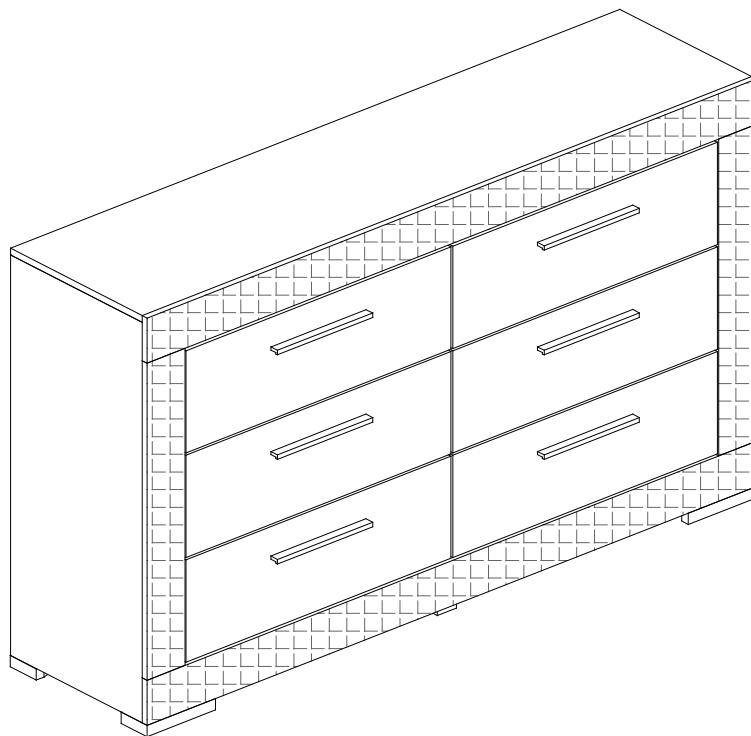


Inner Size of Drawer : 15.75"W X 12.75"D X 5.25"H X 0.25"T



Note : Dimension tolerance $\pm 5\%$

ASSEMBLY INSTRUCTIONS
COASTER FINE FURNITURE



Fine Furniture for every stage of life

224943
Dresser

ITEM: **224943**



ANTI-TIPPING INSTALLATION INSTRUCTIONS

FURNITURE TIPPING RESTRAINT

WARNING

Injury may result from tipping furniture.

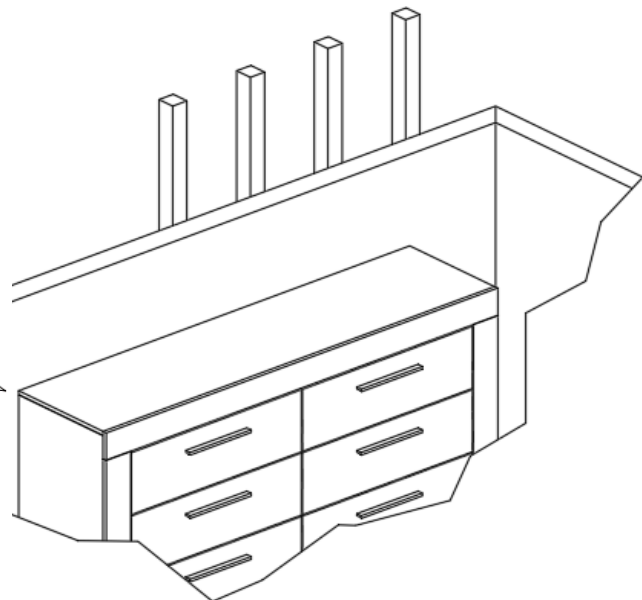
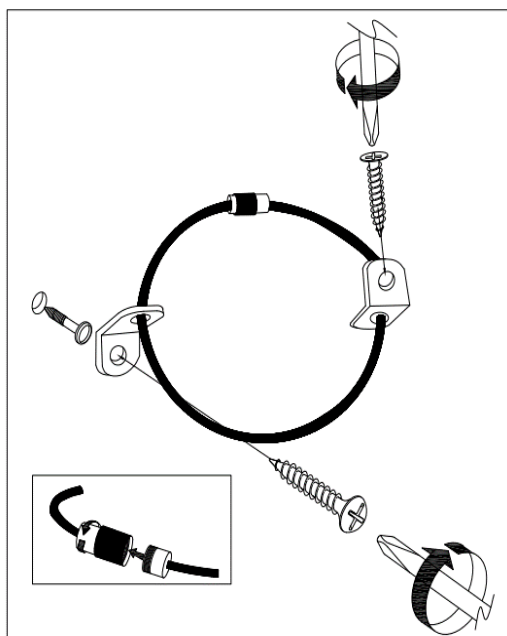
This restraint may protect against tipping furniture.

Do not allow children to climb on furniture.

This restraint is not a substitute for proper adult supervision.

Failure to detach this restraint before moving the furniture may result in injury and damage.

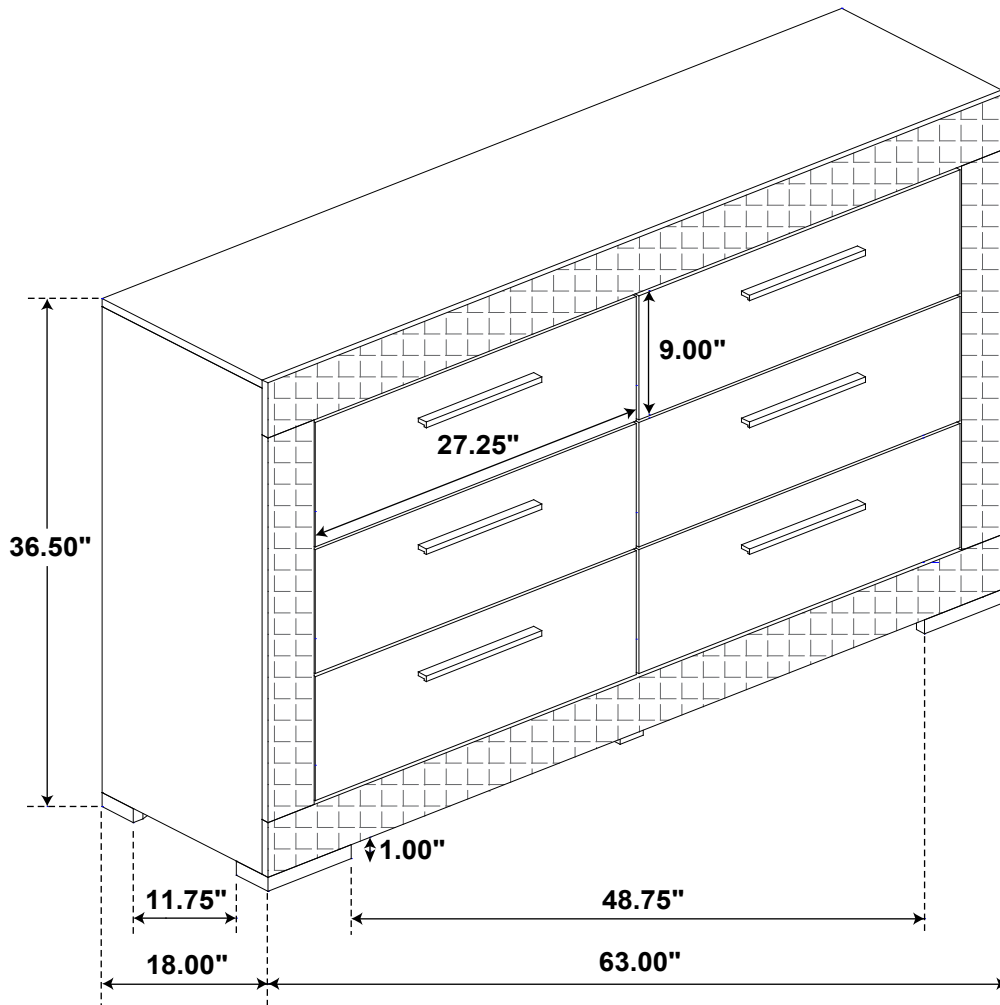
1. Attach one of the mounting brackets securely to the back edge of the unit, using the short screw.
2. Determine where the unit is to be placed, and mark the location on the wall for the other mounting bracket. The bracket on the wall needs to be approximately 2" below the bracket mounted to the edge of the unit.
3. Drill a hole in the wall. Insert the plastic wall anchor into the hole and if necessary, use a small block of wood and hammer to tap it in so that it's flush with the wall.
4. Attach the bracket over the plastic wall anchor using the long screw.
5. Place the unit against the wall, both brackets need to be facing each other.
6. Lace an end of the restraint strap through the hole in each bracket. Bring both ends together and rotate the thumb nut onto the threaded end until tight.
7. Ensure that the restraint strap is securely laced and locked.



ITEM: **224943**

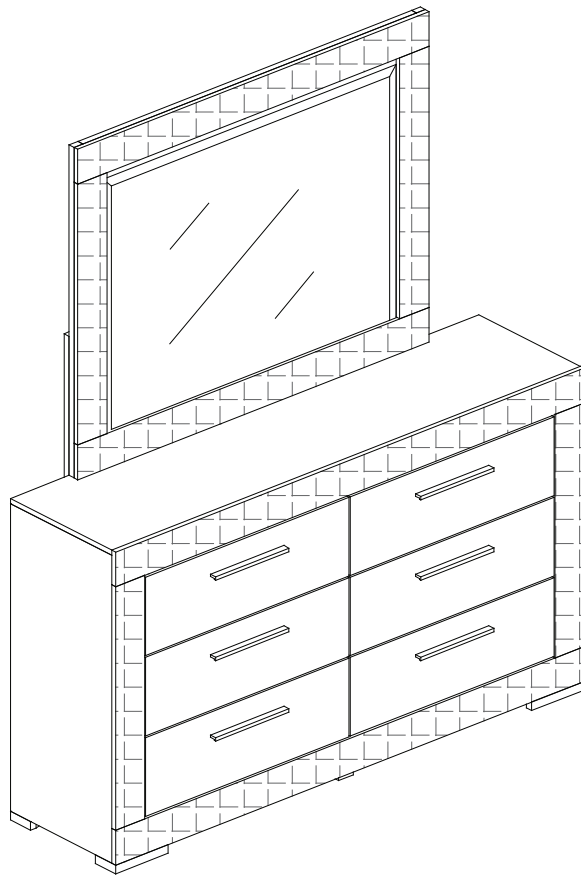


Inner Size of Drawer : 25.50"W X 12.75"D X 6.25"H X 0.25"T



Note : Dimension tolerance $\pm 5\%$

ASSEMBLY INSTRUCTIONS COASTER FINE FURNITURE



Fine Furniture for every stage of life

224944
Mirror

ITEM: **224944**



ASSEMBLY INSTRUCTIONS

ASSEMBLY TIPS:

1. Remove hardware from box and sort by size.
2. Please check to see that all hardware and parts are present prior to start of assembly.
3. Please follow attached instructions in the same sequence as numbered to assure fast & easy assembly.



WARNING!

1. Don't attempt to repair or modify parts that are broken or defective. Please contact the store immediately.
2. This product is for home use only and not intended for commercial establishments.

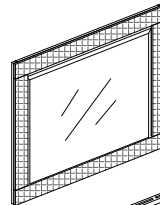


ASSEMBLY TIME

10 MINUTES

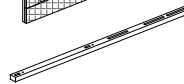
PARTS IDENTIFICATION

A MIRROR



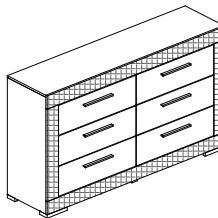
1PC

B MIRROR SUPPORT
(PACKED WITH MIRROR)



2PCS

C DRESSER
*FROM BOX ITEM 224943



1PC

HARDWARE IDENTIFICATION

1 ALLEN WRENCH
(M4 x 65MM - BLK)



1PC

2 BOLT
(M6 x 35MM - BLK)



8PCS

3 LOCK WASHER
(1/4" x 12Ø - BLK)



8PCS

4 FLAT WASHER
(1/4" x 19Ø - BLK)

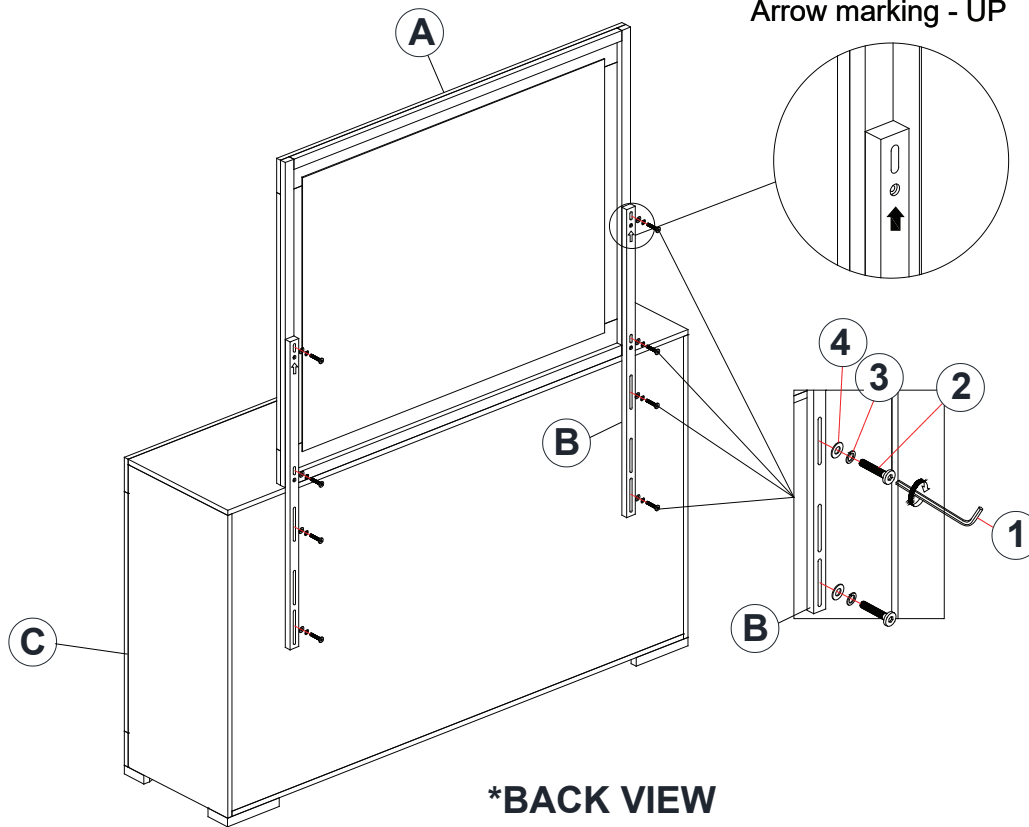


8PCS

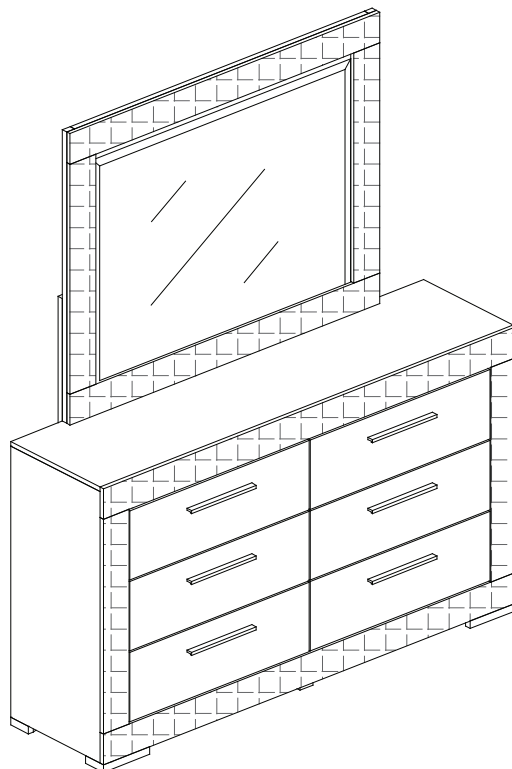
ITEM: **224944**

ASSEMBLY INSTRUCTIONS

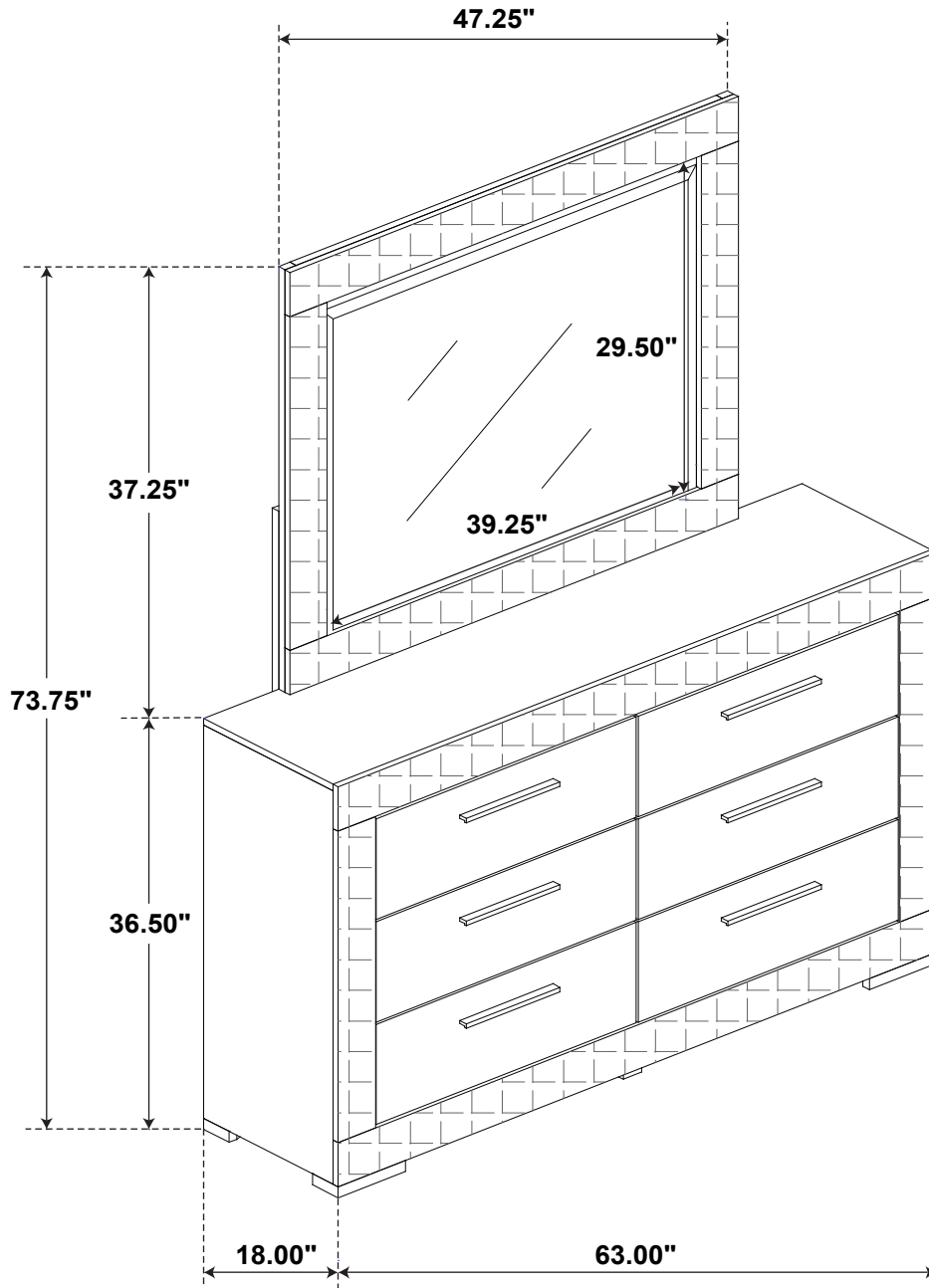
STEP 1



STEP 2
COMPLETE

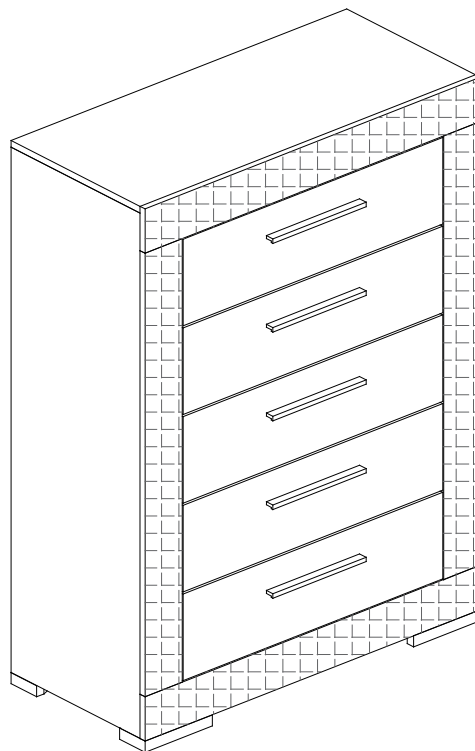


ITEM: **224944**



Note: Dimension tolerance $\pm 5\%$

ASSEMBLY INSTRUCTIONS
COASTER FINE FURNITURE



Fine Furniture for every stage of life

224945
Chest

ITEM: **224945**



ANTI-TIPPING INSTALLATION INSTRUCTIONS

FURNITURE TIPPING RESTRAINT

WARNING

Injury may result from tipping furniture.

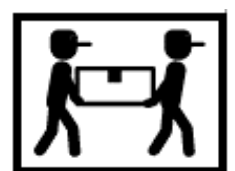
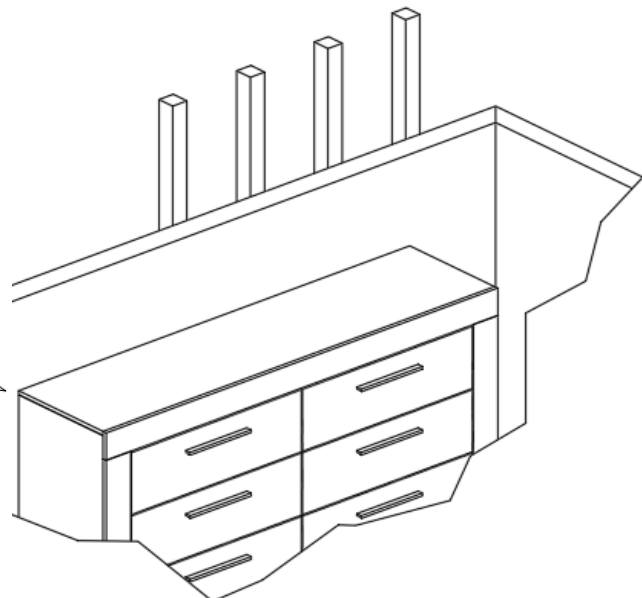
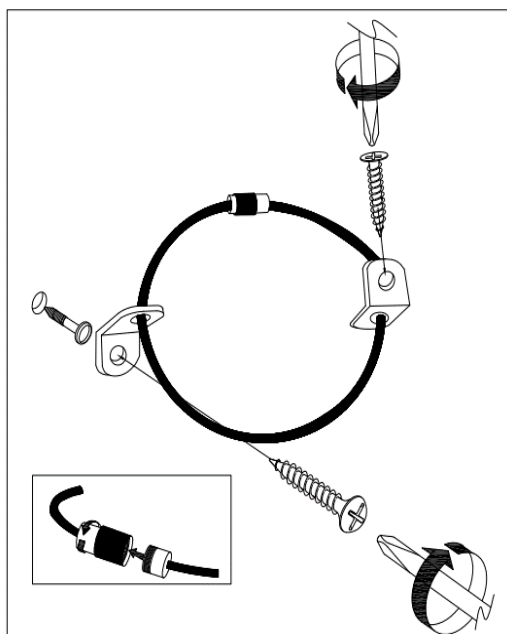
This restraint may protect against tipping furniture.

Do not allow children to climb on furniture.

This restraint is not a substitute for proper adult supervision.

Failure to detach this restraint before moving the furniture may result in injury and damage.

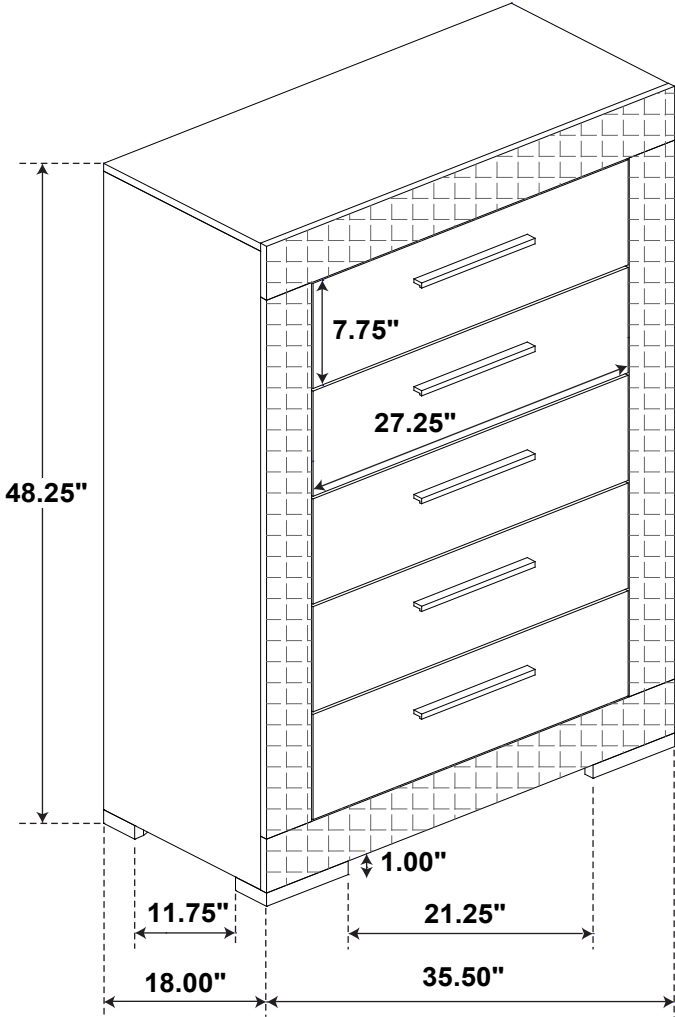
1. Attach one of the mounting brackets securely to the back edge of the unit, using the short screw.
2. Determine where the unit is to be placed, and mark the location on the wall for the other mounting bracket. The bracket on the wall needs to be approximately 2" below the bracket mounted to the edge of the unit.
3. Drill a hole in the wall. Insert the plastic wall anchor into the hole and if necessary, use a small block of wood and hammer to tap it in so that it's flush with the wall.
4. Attach the bracket over the plastic wall anchor using the long screw.
5. Place the unit against the wall, both brackets need to be facing each other.
6. Lace an end of the restraint strap through the hole in each bracket. Bring both ends together and rotate the thumb nut onto the threaded end until tight.
7. Ensure that the restraint strap is securely laced and locked.



ITEM: **224945**



Inner Size of Drawer : 25.75"W X 12.75"D X 5.25"H X 0.25"T



Note : Dimension tolerance $\pm 5\%$