




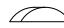





ASSEMBLY INSTRUCTIONS

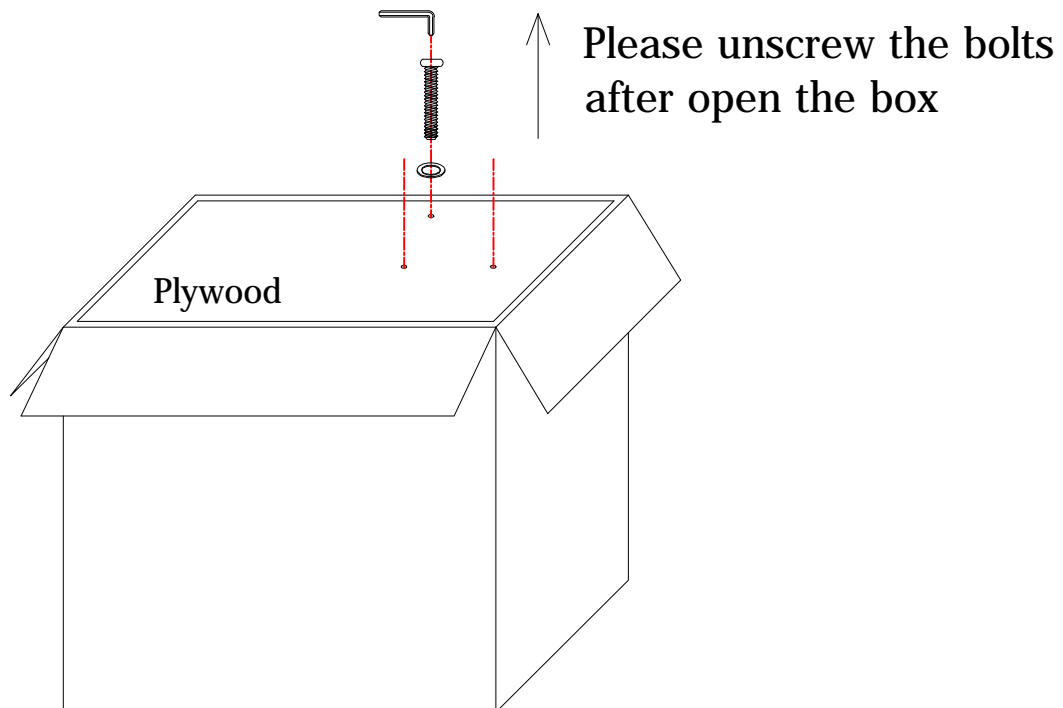
Shavano Grand Dining Table

PART LIST		
NO	DESCRIPTION	QTY
A	Top	1pc
B	Leg	2pcs

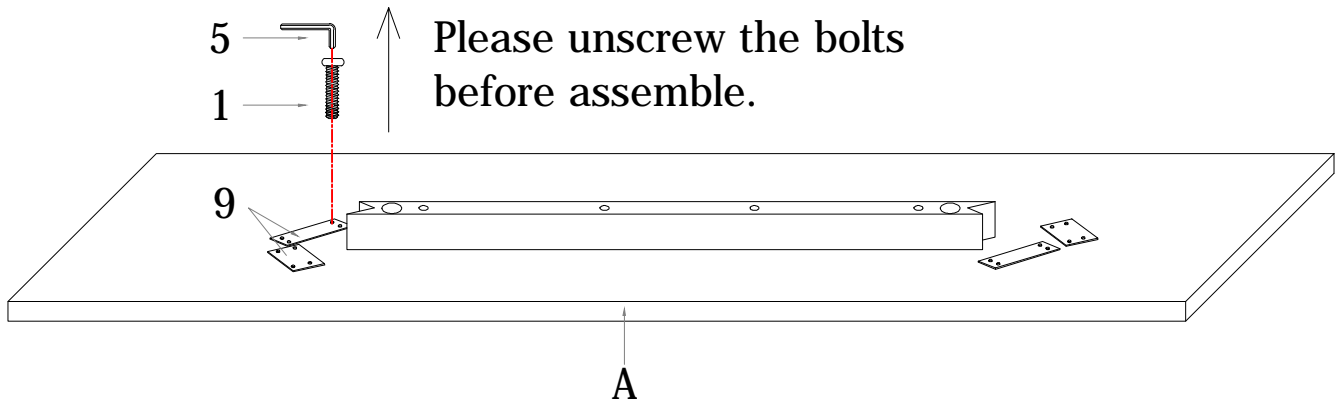
HARDWARE LIST			
NO	DESCRIPTION		QTY
1		Bolt M8x25	24pcs
2		Bolt M8x90	2pcs
3		Spring Washer ø8x12	24pcs
4		Flat Washer ø8x20	26pcs
5		Allen Key 5#	1pc
6		Sector	2pcs
7		Cross dowel	2pcs
8		Long Allen key	1pc
9		Metal Plate	4pcs

Assembly Steps

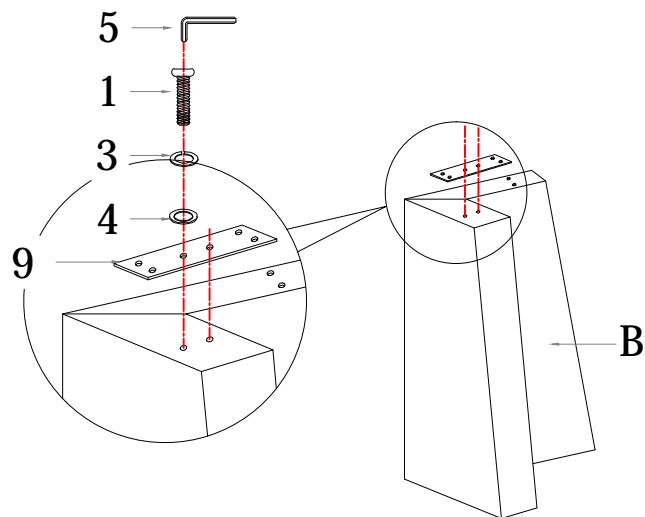
Step 1



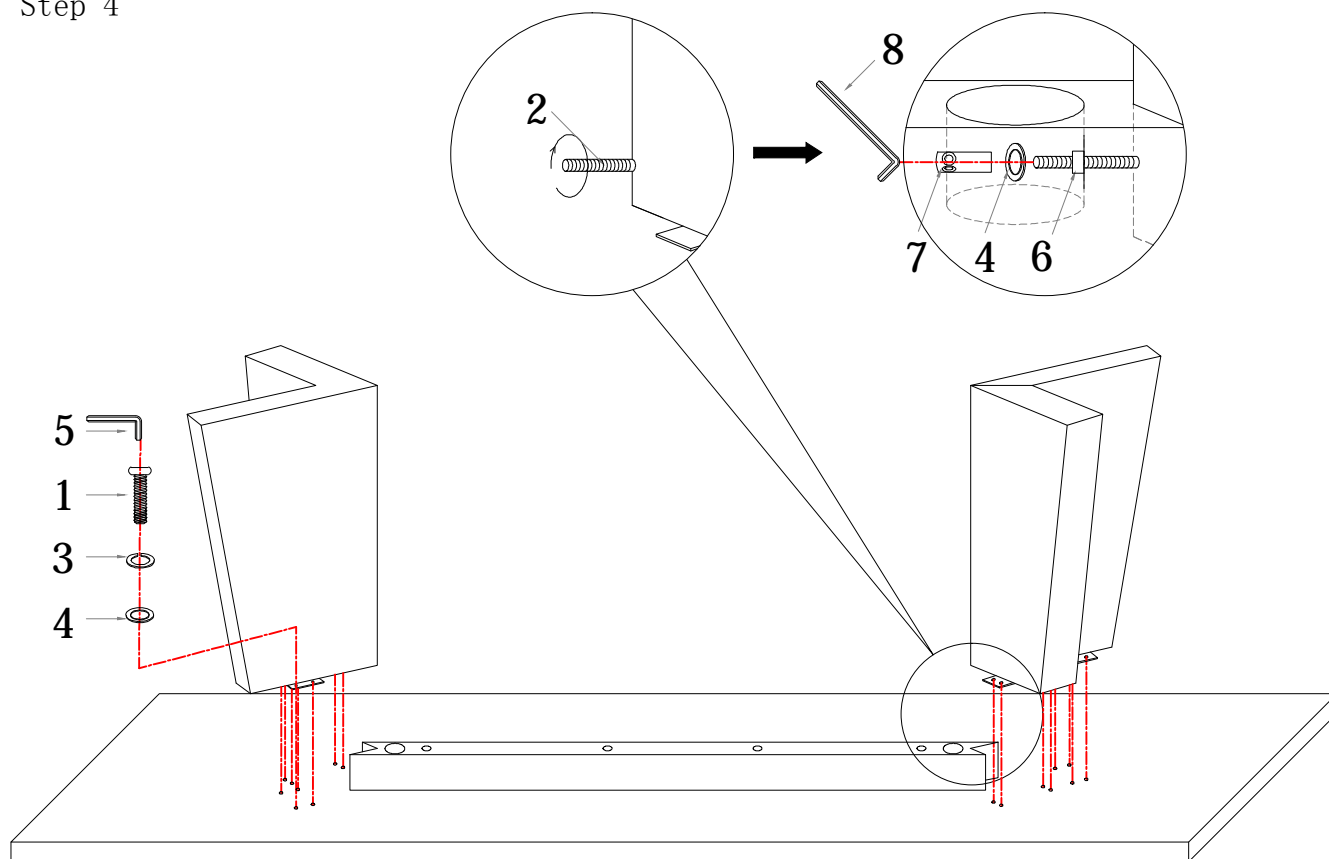
Step 2



Step 3



Step 4



Step 5

