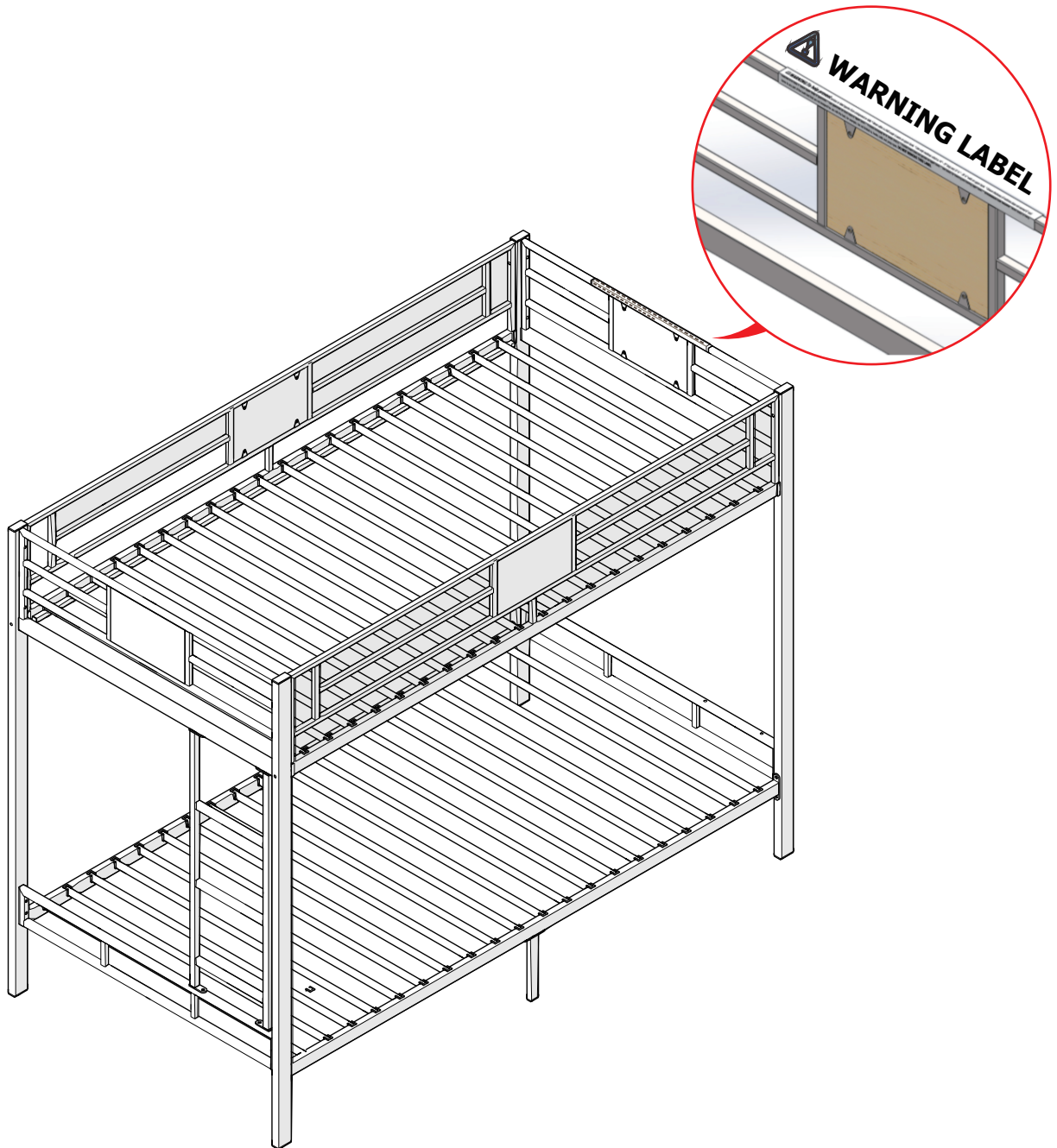


Twin-Twin BED LLG001

ORIGINAL INSTRUCTION MANUAL



DEAR CUSTOMER,

Thank you for choosing our product. Please read this manual carefully before assembling or using the product, to avoid damage caused by improper use. If the product is passed on to third parties, this manual has to be passed on along with the product. For any question don't hesitate to contact us.



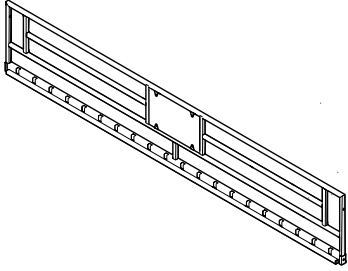
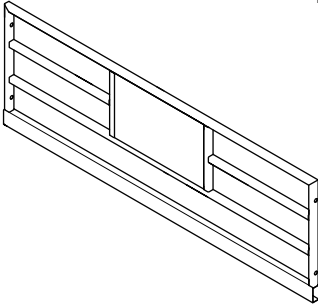
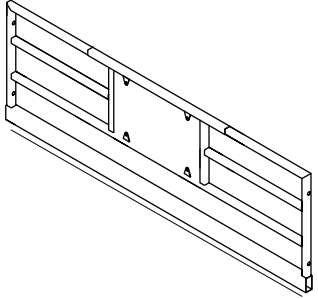
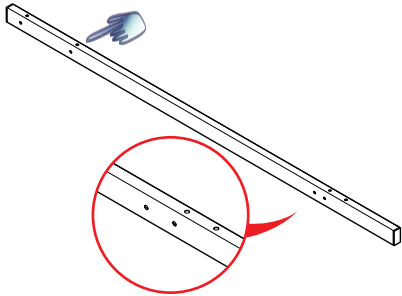
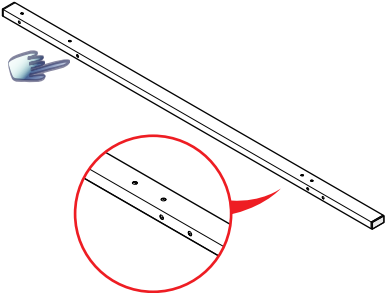
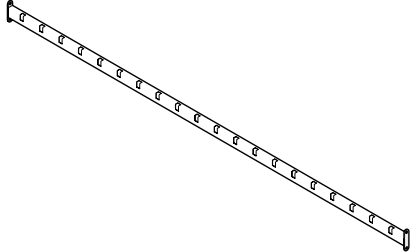
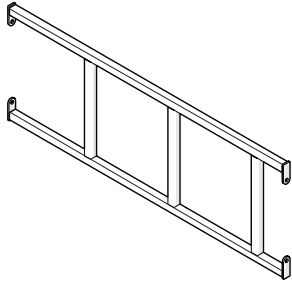
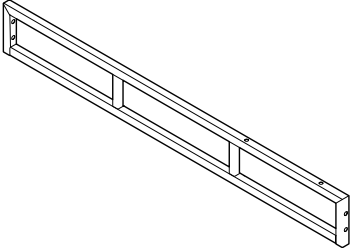
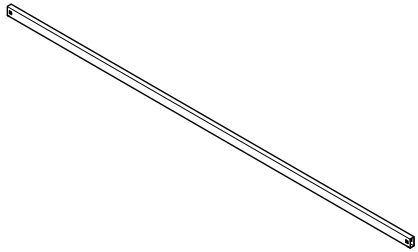
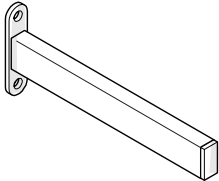
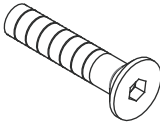
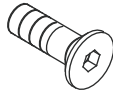
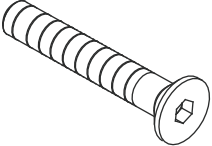
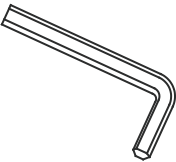

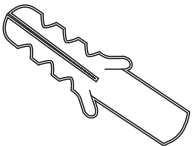
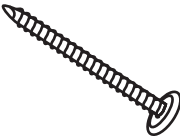
WARNING

To help prevent serious or fatal injuries from entrapment or falls:

- Follow the information on the warnings appearing on the upper bunk end structure and on the carton. Do not remove warning label from bed.
- Use only mattress which is 74" - 75" long and 37 ½" - 38 ½" wide on upper bunk and lower bed.
- Always use the recommended size mattresses or mattress supports, or both, to help prevent the likelihood of entrapment or falls.
- Surface of mattress must be at least 5 in. (127 mm) below the upper edge of guardrails.
- Do not allow children under 6 years of age to use the upper bunk.
- Periodically check and ensure that the guardrail, ladder, and other components are in their proper position, free from damage, and that all connectors are tight.
- Do not allow horseplay on or under the bed and prohibit jumping on the bed.
- Always use the ladder for entering and leaving the upper bunk.
- Keep these instructions for future reference.
- Do not use substitute parts. Contact the manufacturer or dealer for replacement parts.
- Use of a night light may provide added safety precaution for a child using the upper bunk.
- Always use guardrails on both long sides of the upper bunk. If the bunk bed will be placed next to the wall, the guardrail that runs the full length of the bed should be placed against the wall to prevent entrapment between the bed and wall.
- The use of water or sleep flotation mattresses is prohibited.

STRANGULATION HAZARD - Never attach or hang items to any part of the bunk bed that are not designed for use with the bed; for example, but not limited to, hooks, belts and jump ropes.

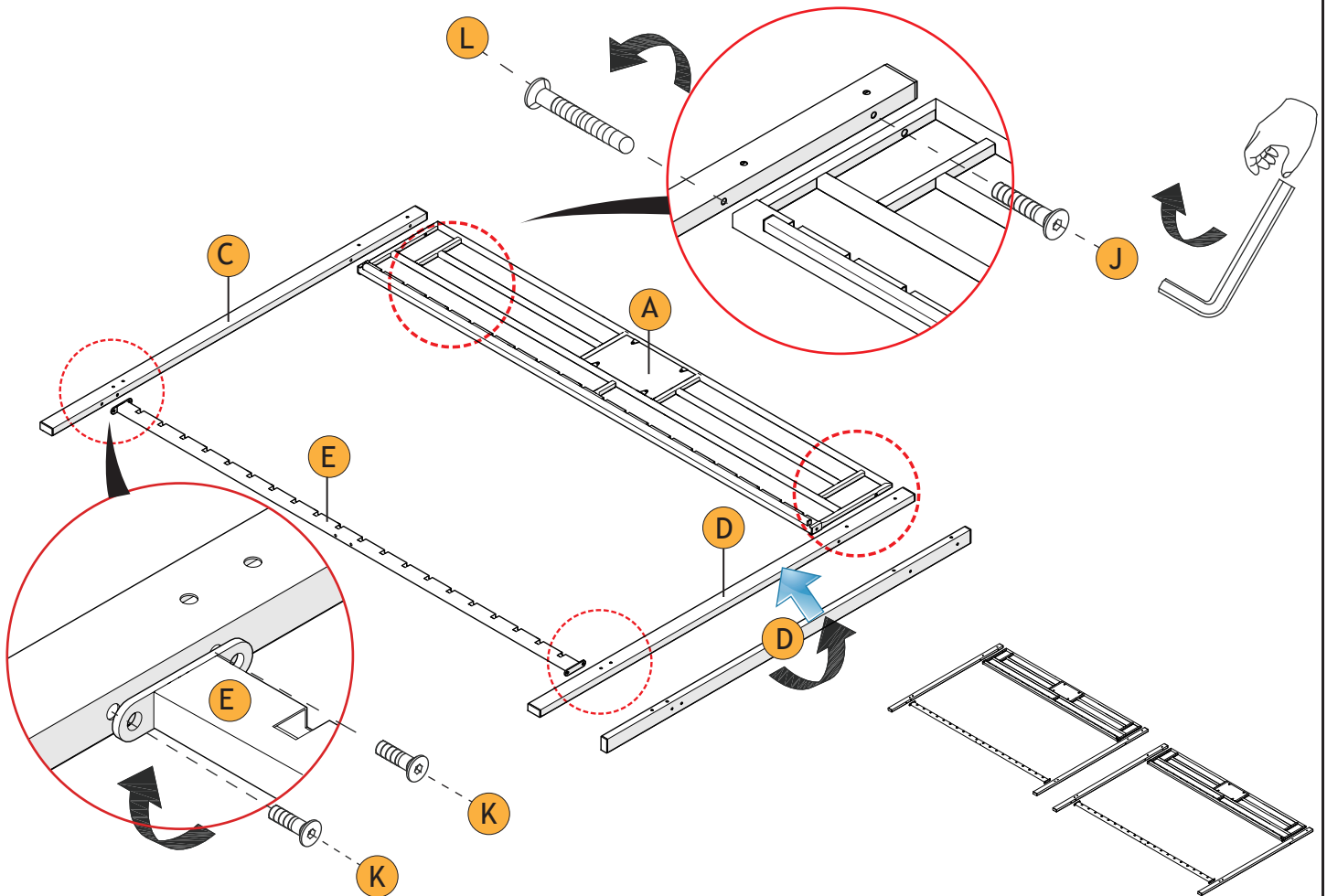
PARTS LIST

<p>A 2×</p> 	<p>B1 1×</p> 	<p>B2 1×</p> 
<p>C 2×</p> 	<p>D 2×</p> 	<p>E 2×</p> 
<p>F 1×</p> 	<p>G 2×</p> 	<p>H 40×</p> 
<p>I 2×</p> 	<p>J 20×</p>  <p>M8×35</p>	<p>K 16×</p>  <p>M8×20</p>
<p>L 4×</p>  <p>M8×70</p>	<p>M 1×</p>  <p>M8</p>	<p>N 2×</p> 
<p>O 2×</p> 	<p>P 2×</p> 	

ASSEMBLY

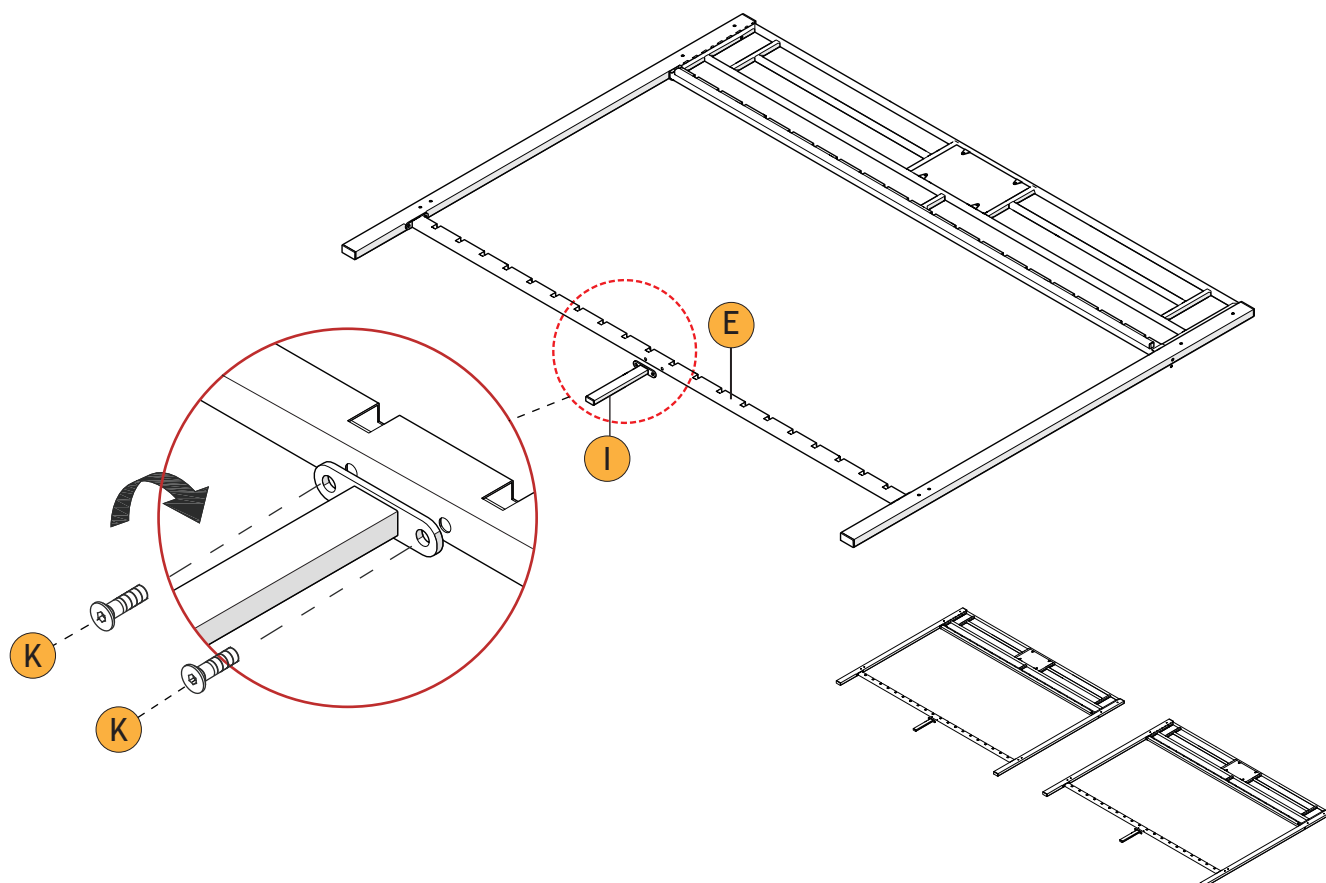
Please check that you have all the parts listed before you start assembling, if you do find that something is missing, do not continue assembly. please contact your supplier immediately

STEP 1

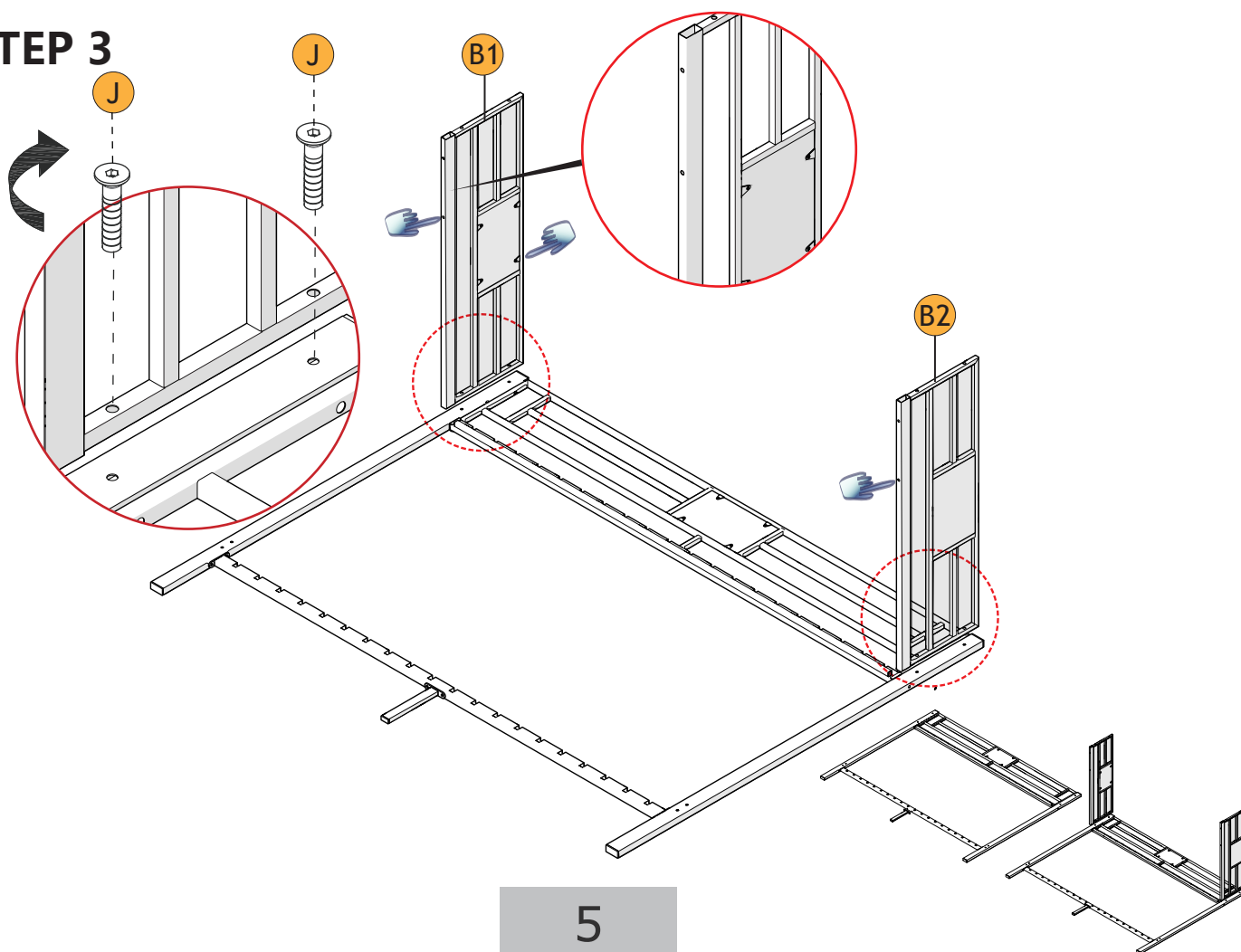


Pay attention to the orientation of C and D

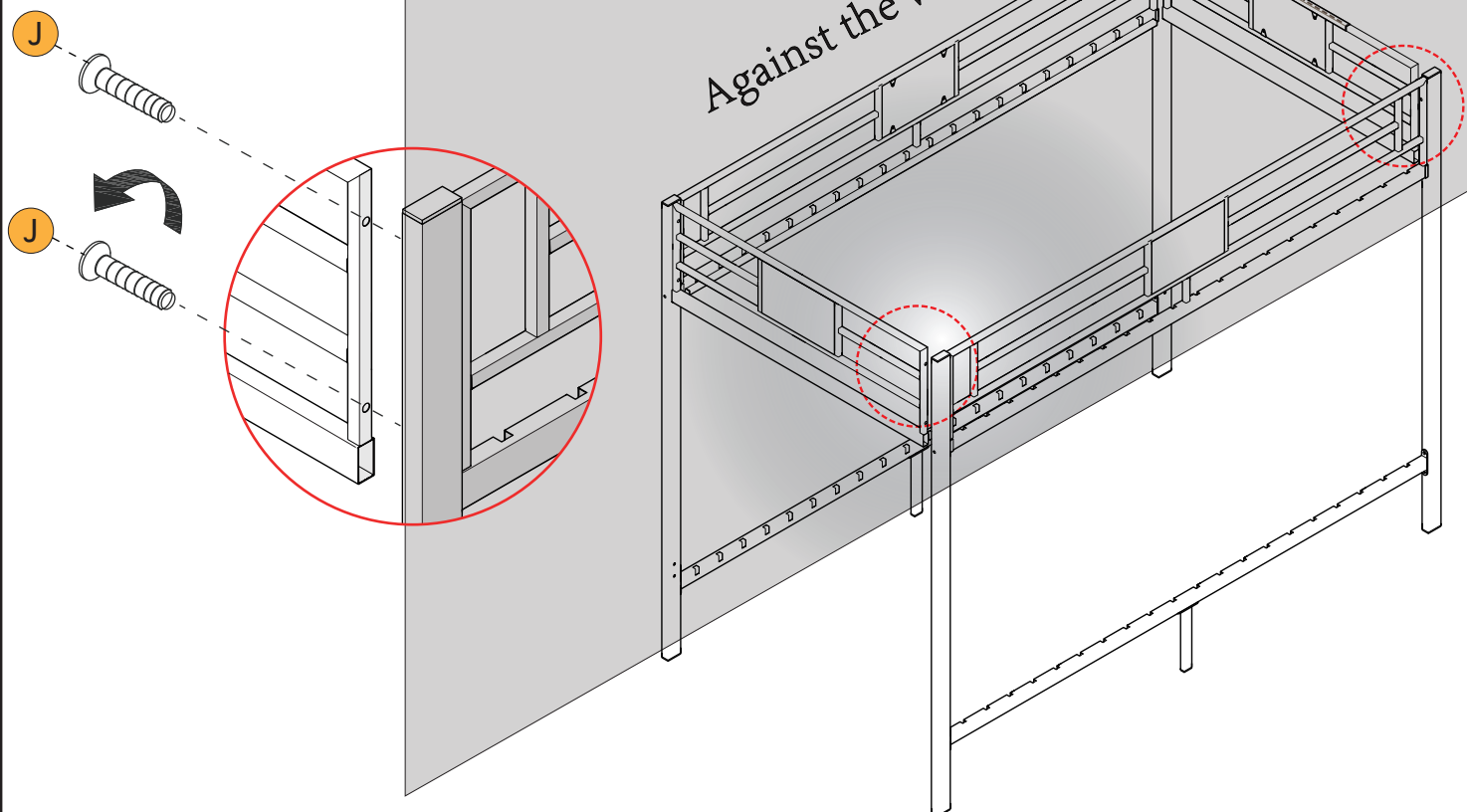
STEP 2



STEP 3

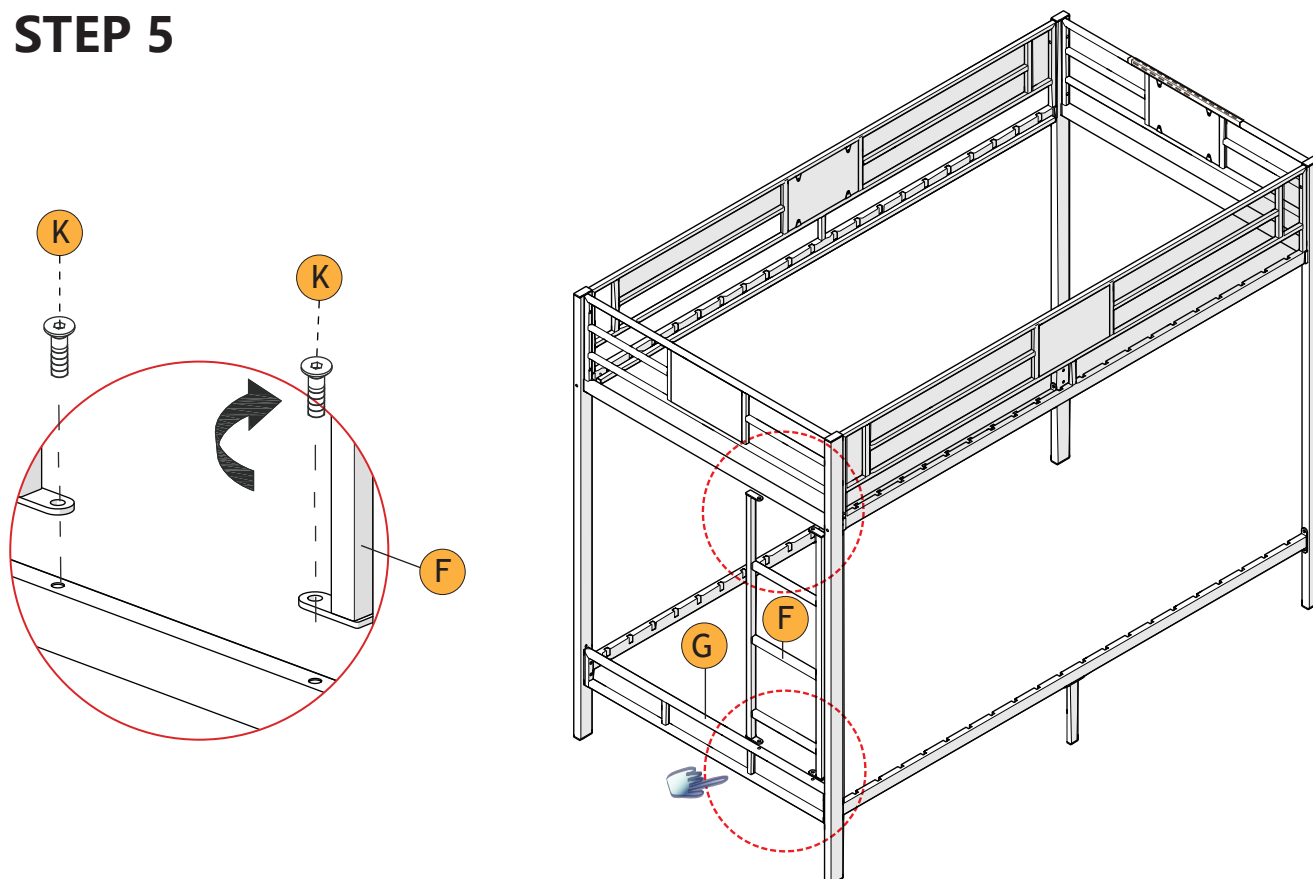


STEP 4



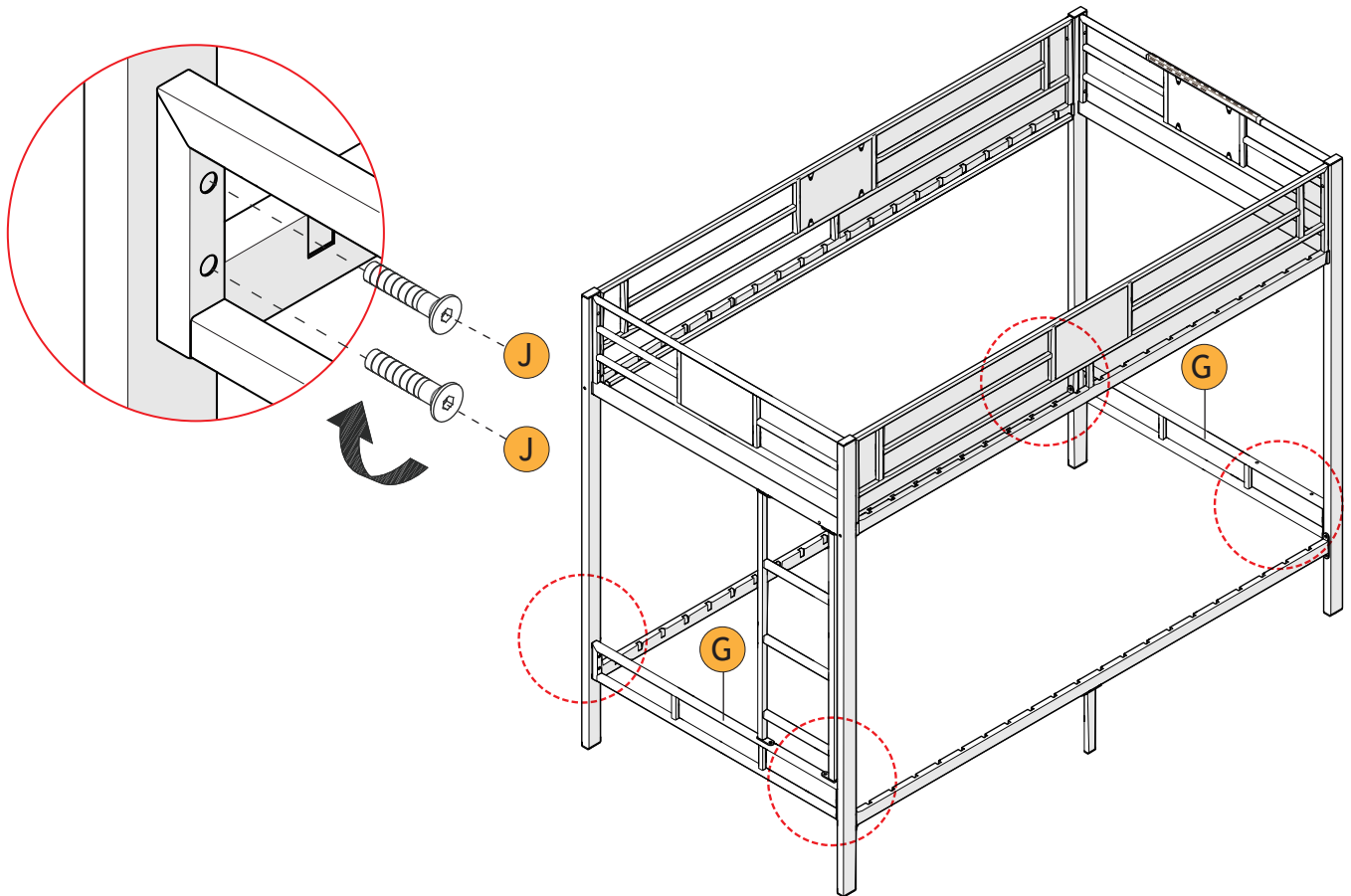
Note: Hold the product assembled by Step 3 up against the wall.
After stabilization, another person locks the screw

STEP 5

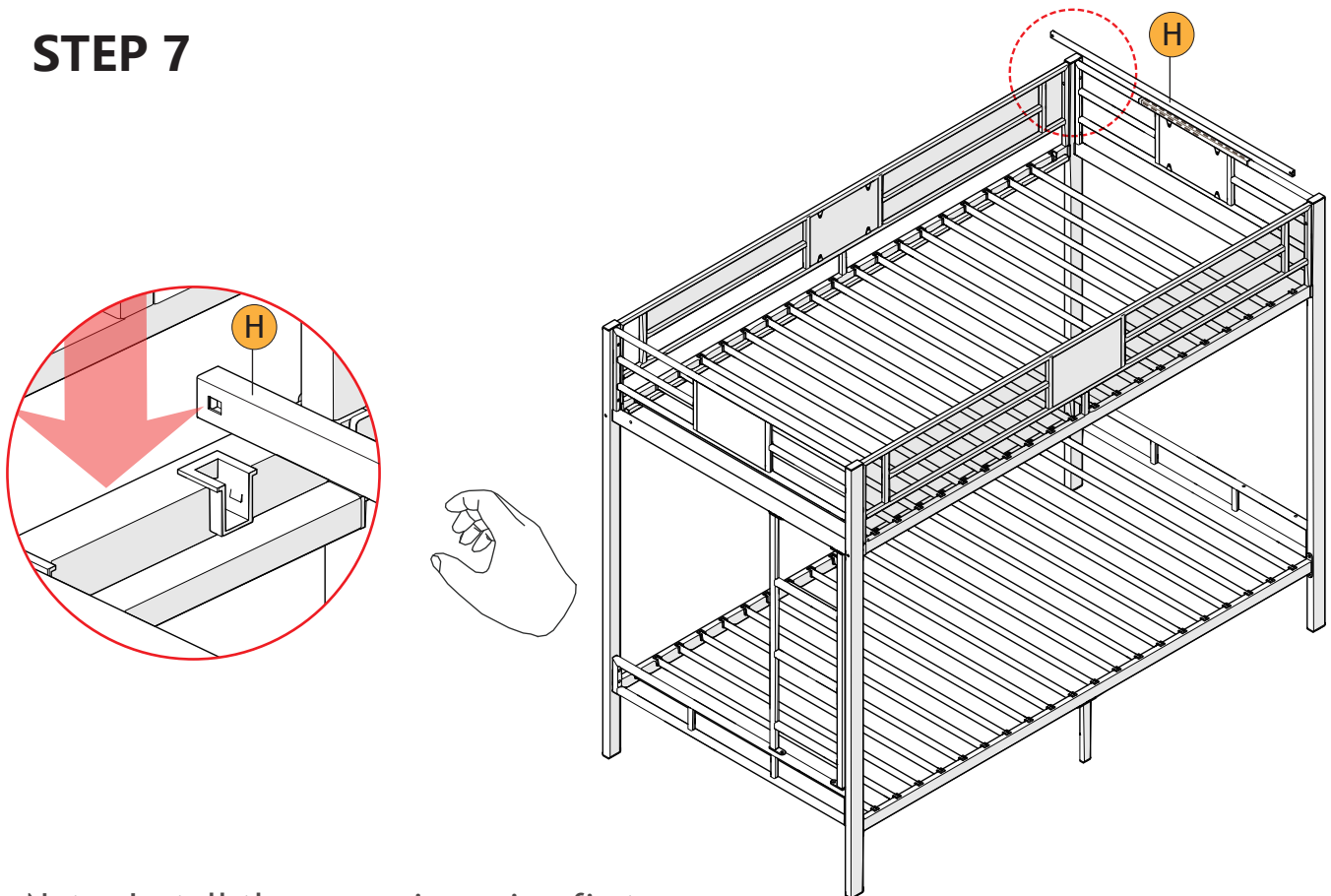


Note: Pay attention to the hole position when installing part G

STEP 6

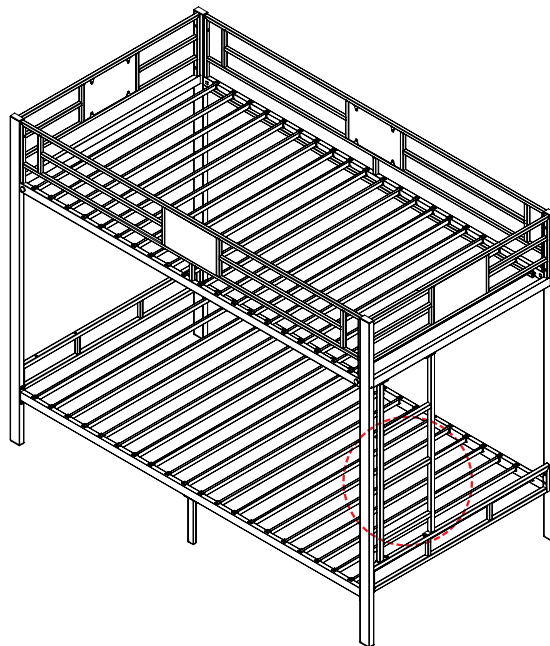
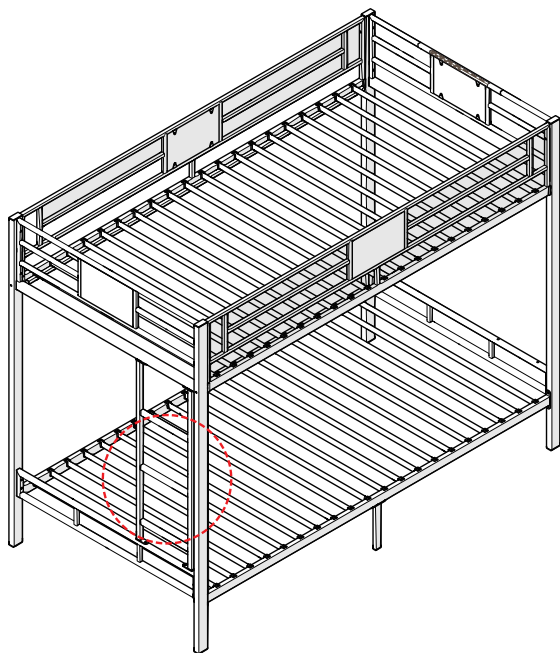


STEP 7



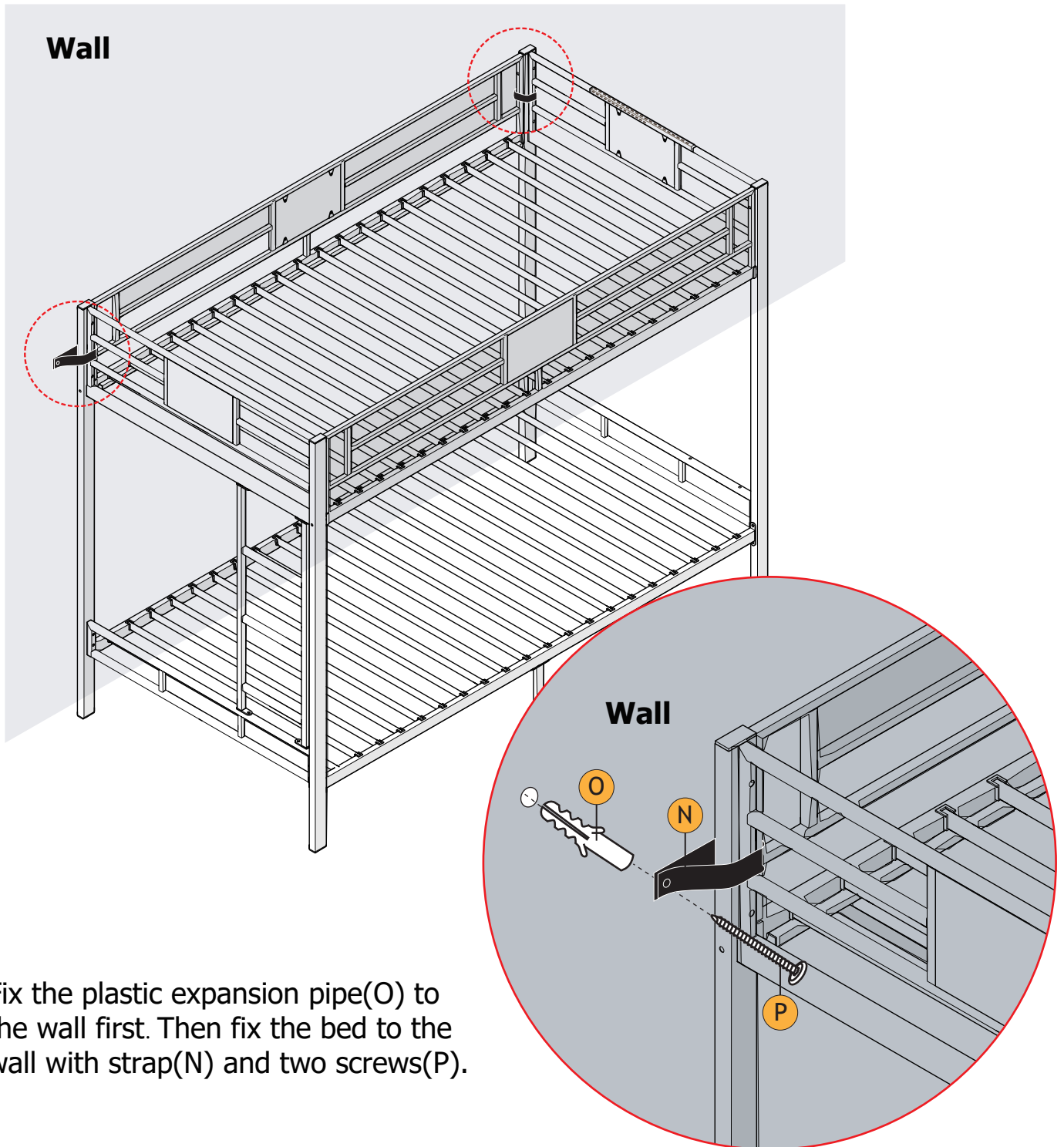
Note: Install the upper iron pipe first

Assembly complete



The escalator can also be installed on the other side

ANTI-DUMPING INSTALLATION



Fix the plastic expansion pipe(O) to the wall first. Then fix the bed to the wall with strap(N) and two screws(P).

ATTENTION!

You can fix the bed to the wall with two screws to prevent it from falling down!