

KINCAID

—SOLID WOOD SINCE 1946—

www.kincaidfurniture.com

phone :828-728-3261.

ASSEMBLY INSTRUCTION

161-830 Monte Buffet
161-831 Monte Buffet Hutch

HARDWARE LIST				
A		Screw	Ø8*3/4"	2 PCS

IMPORTANT NOTES

- . Place all wooden parts on clean and smooth surface such as rug or carpet to prevent the parts from being scratched.
- . Check to be sure that you have all parts and hardware.
- . Remove all wrapping materials, including staples and packing straps before you start to assemble.
- . Do not tighten all screws and bolts until completely assembled.
- . Keep all hardware out of the reach of children

Instruction:

- Put the deck onto the top of the base, back edge is flush with each other. Loosen but do not remove screw that attach the metal brackets on the deck. Swivel the bracket to cover the back edge of both the base and deck. Re-tighten the screw in edge of deck, and install the provided screw (A) in back edge of base top. SEE FIGURE 1.

- wood shelf frame is adjustable. To adjust the height of the shelf, place the shelf support bar in the desired position, then place the wood shelf frame on wooden dowel positioned in the center. SEE FIGURE 2.

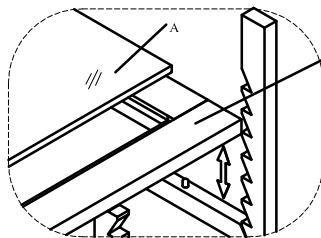
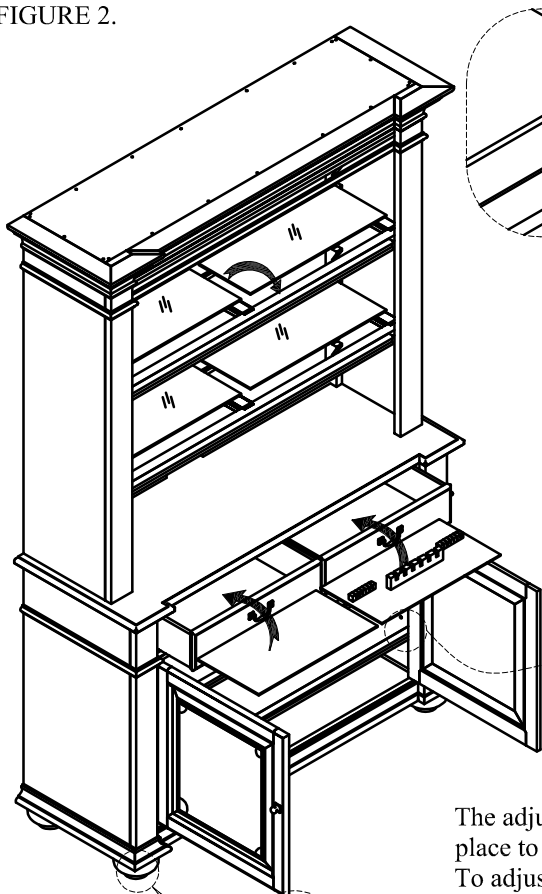
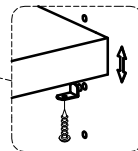


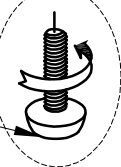
FIGURE 2

FIGURE 3



The adjustable shelves are screwed in place to avoid damage during transit. To adjust the shelf height, remove screws then place shelf pins in the desired level. SEE FIGURE 3.

Adjustable
Leveler



MADE IN VIETNAM

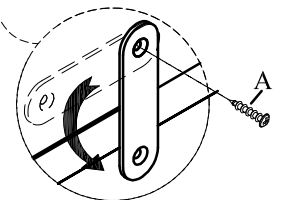
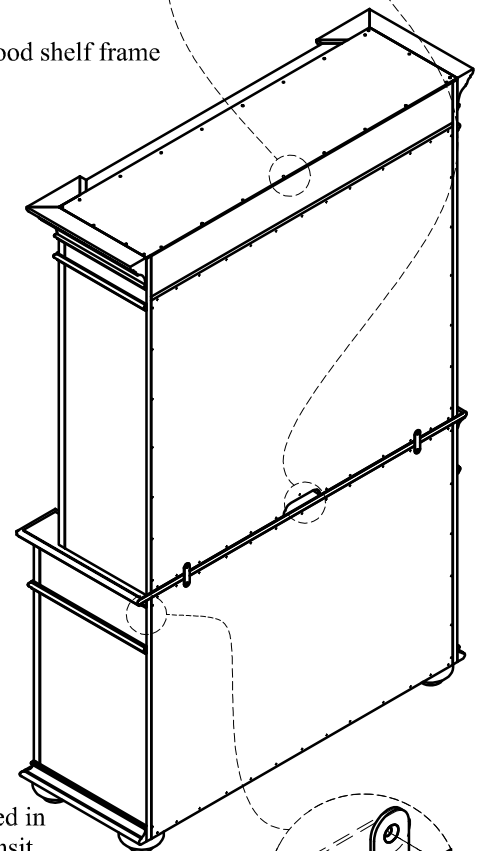
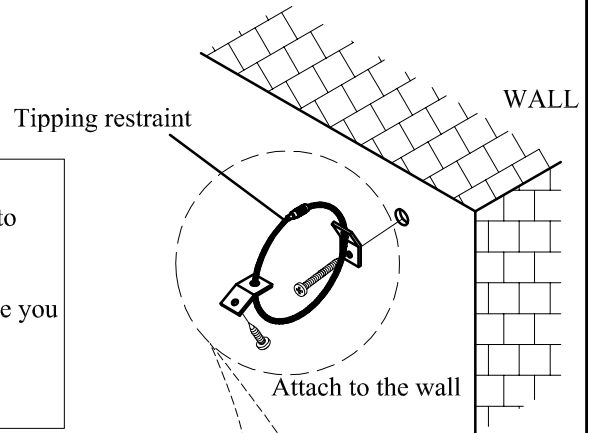


FIGURE 1