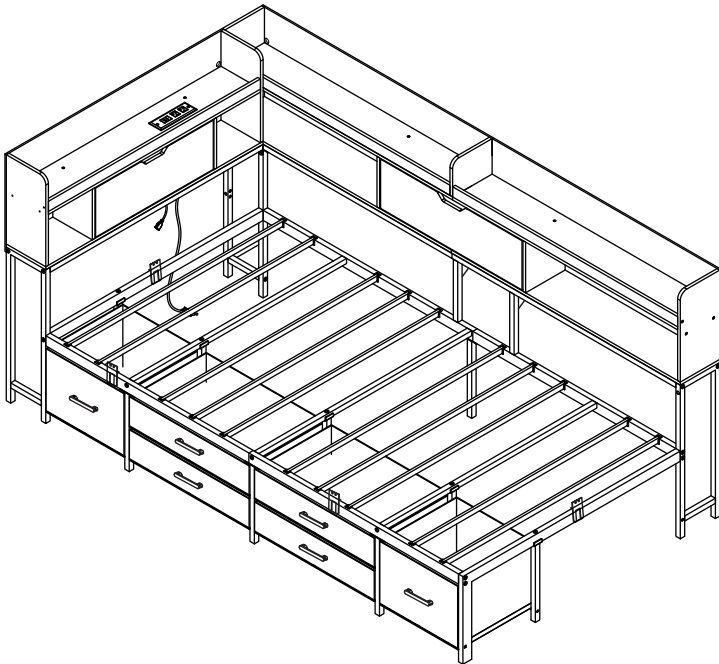
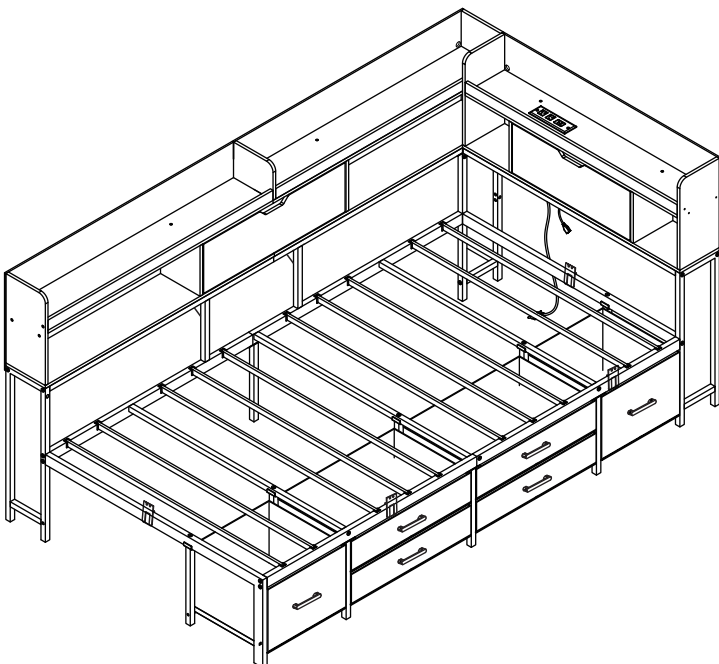


ASSEMBLY INSTRUCTION

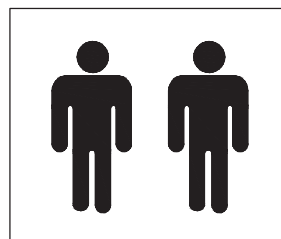
Version: 1.0



Assembly headboard at left side, please follow the assembly steps on page 6-35.



Assembly headboard at right side, please follow the assembly steps on page 36-66.

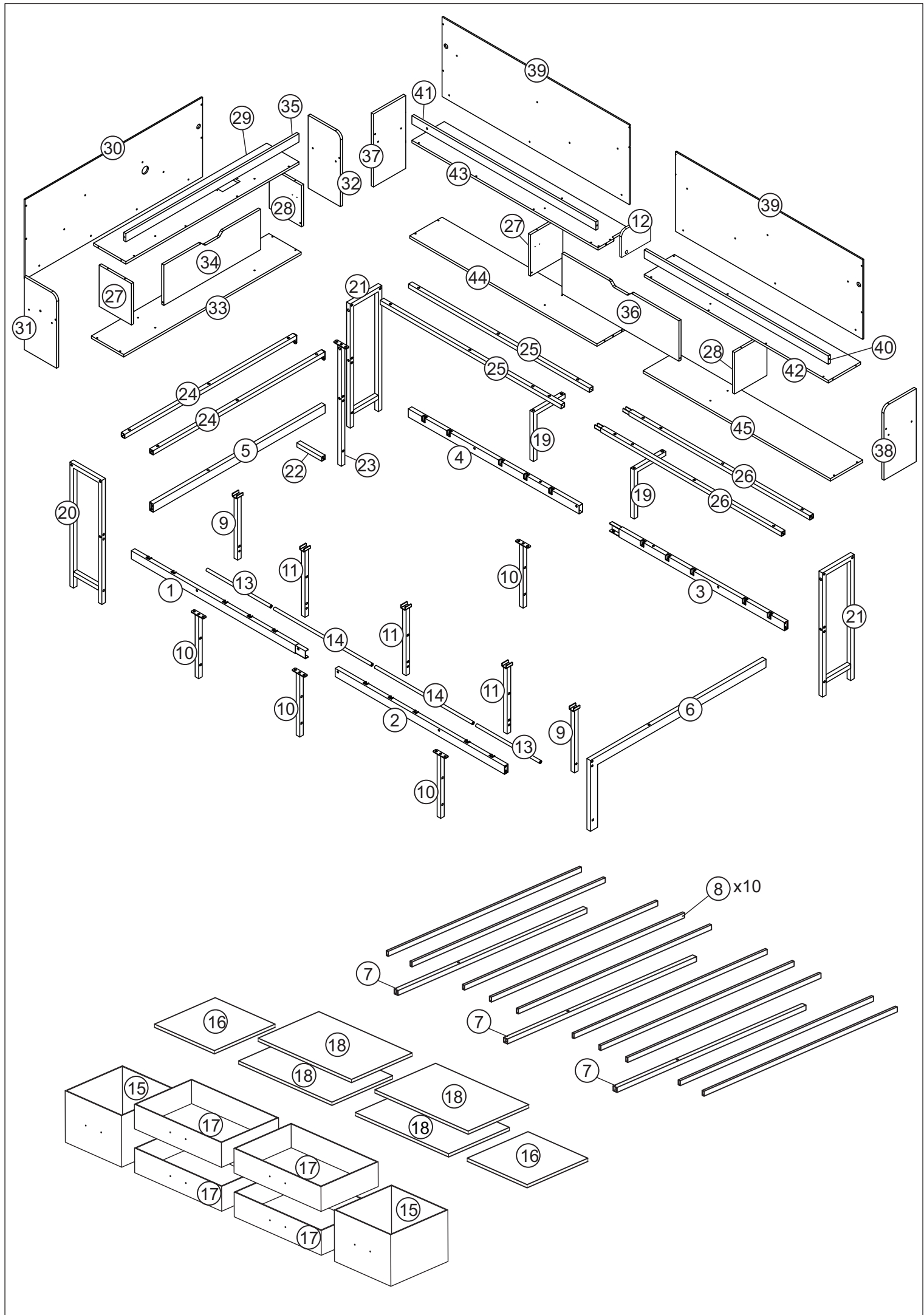


Note:

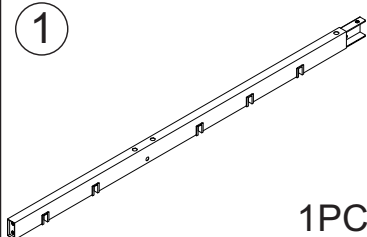
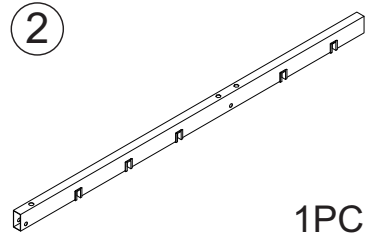
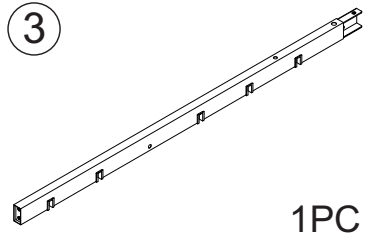
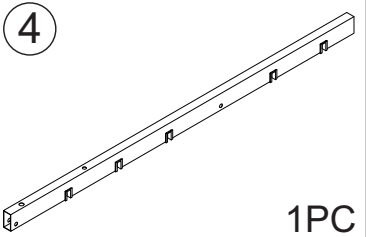
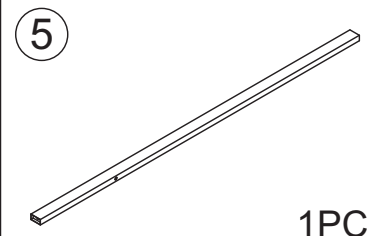
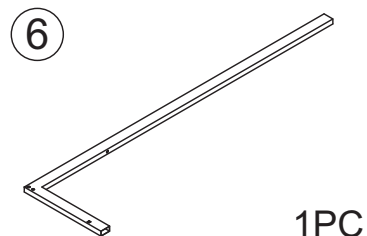
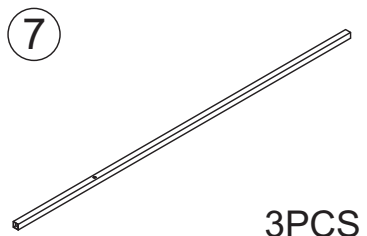
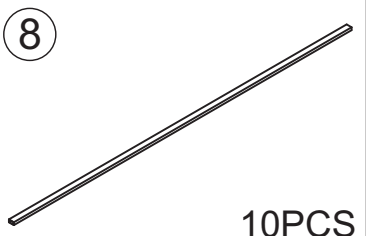
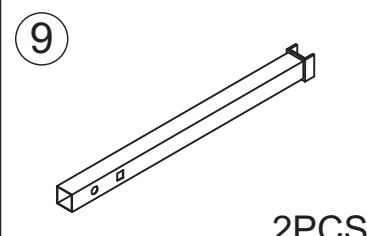
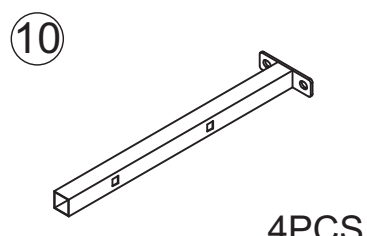
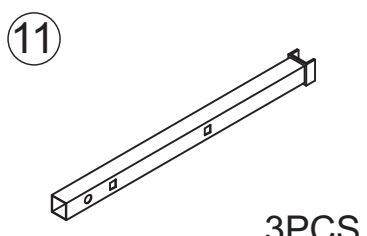
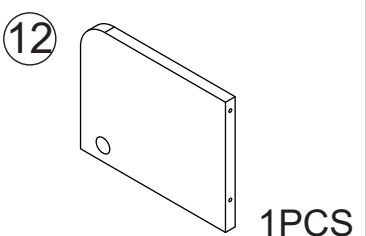
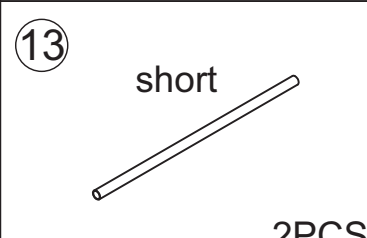
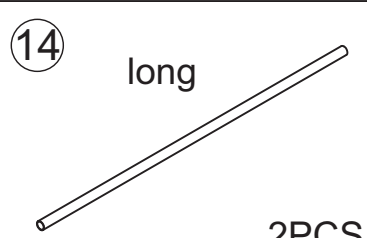
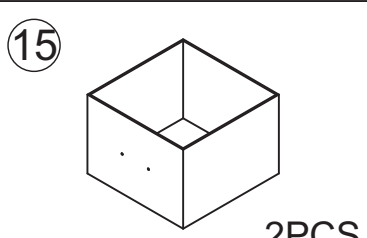
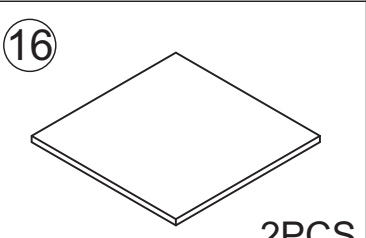
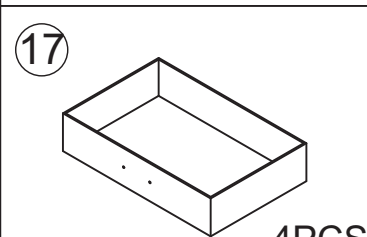
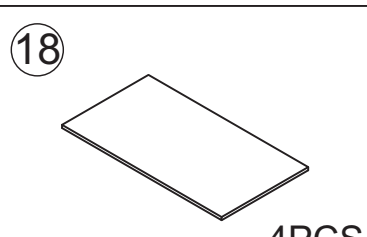
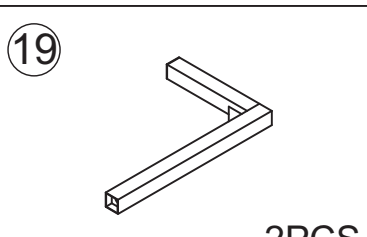
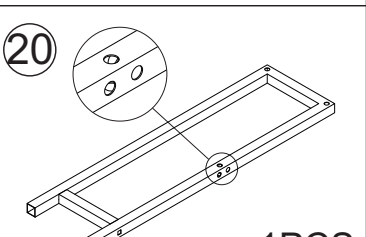
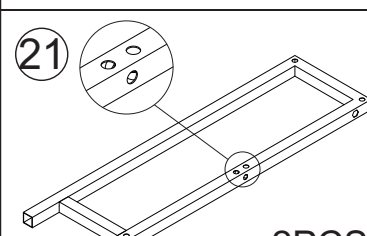
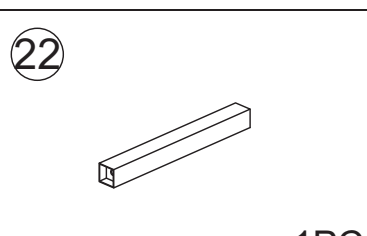
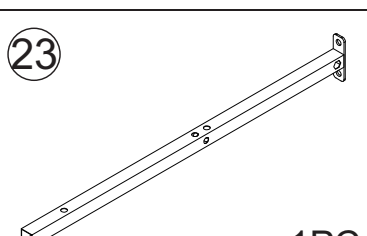
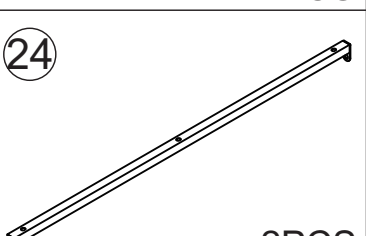
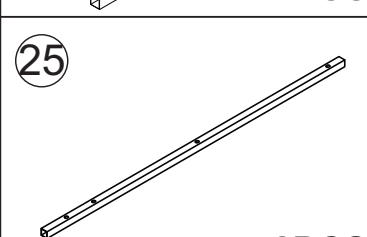
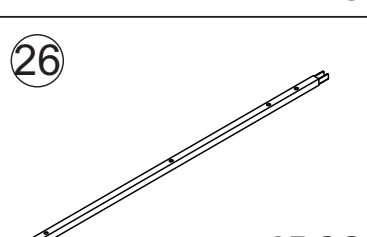
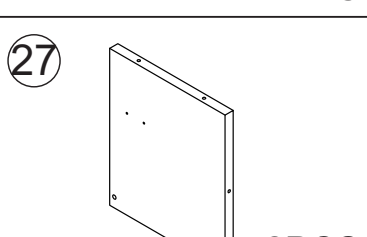
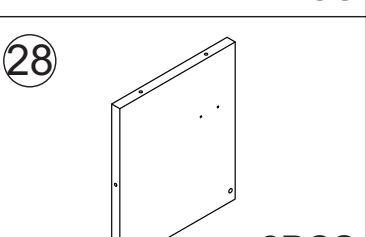
Should be assembled on flat ground to keep balance.

It needs at least two people to instal.

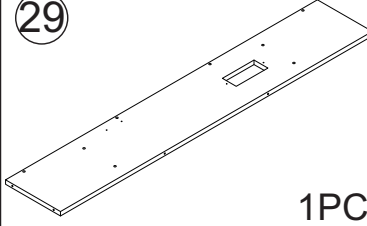
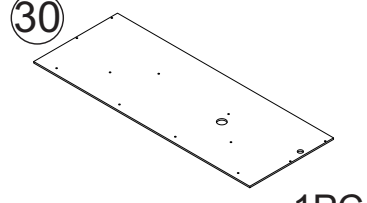
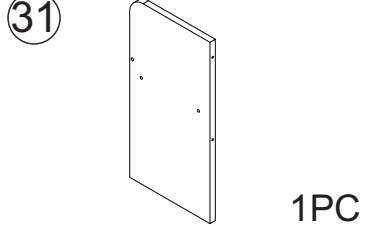
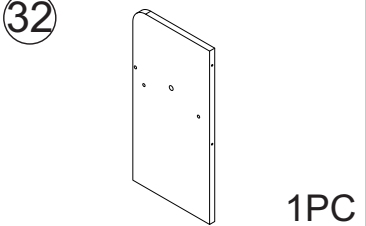
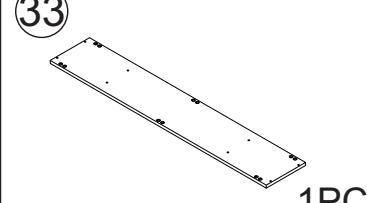
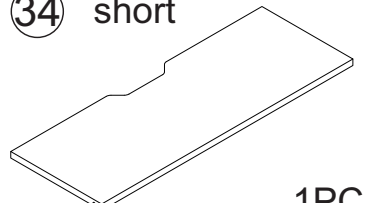
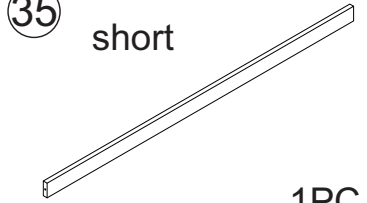
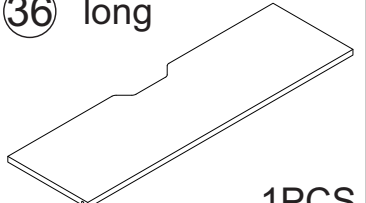
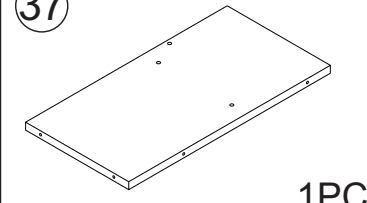
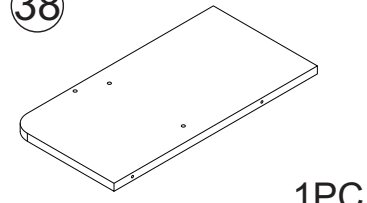
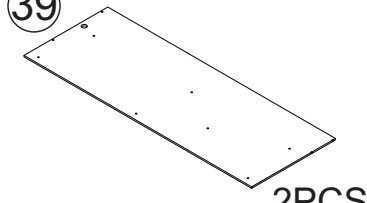
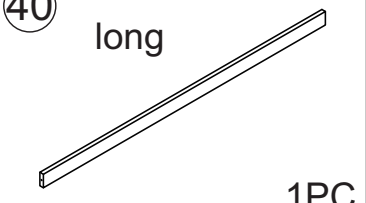
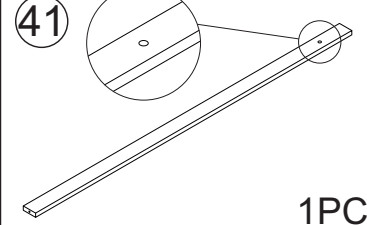
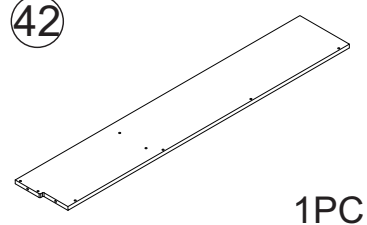
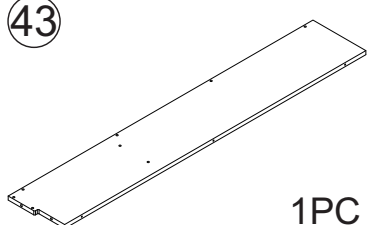
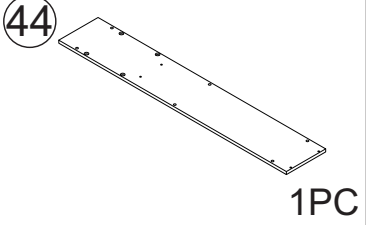
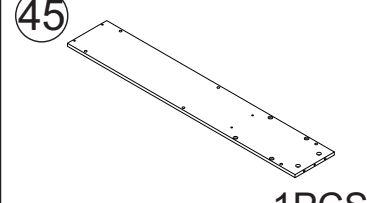
Before starting the assembly, you must read the whole manual and follow the instructions.




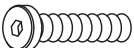
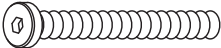
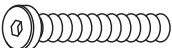
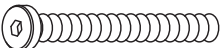



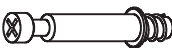




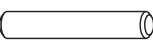
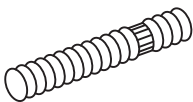
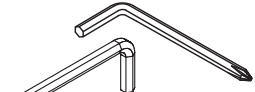
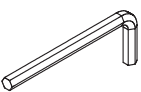
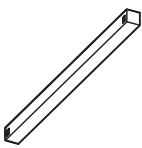
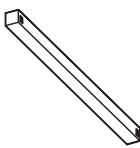

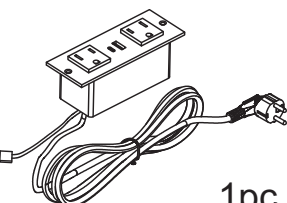

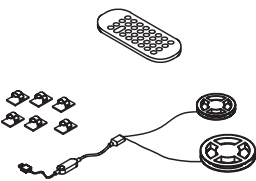

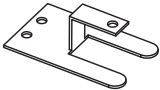


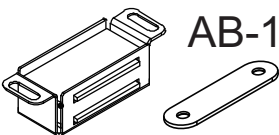

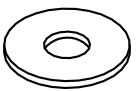
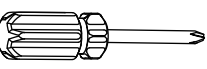
PARTS LIST

 <p>① 1PC</p>	 <p>② 1PC</p>	 <p>③ 1PC</p>	 <p>④ 1PC</p>
 <p>⑤ 1PC</p>	 <p>⑥ 1PC</p>	 <p>⑦ 3PCS</p>	 <p>⑧ 10PCS</p>
 <p>⑨ 2PCS</p>	 <p>⑩ 4PCS</p>	 <p>⑪ 3PCS</p>	 <p>⑫ 1PCS</p>
 <p>⑬ short 2PCS</p>	 <p>⑭ long 2PCS</p>	 <p>⑮ 2PCS</p>	 <p>⑯ 2PCS</p>
 <p>⑰ 4PCS</p>	 <p>⑱ 4PCS</p>	 <p>⑲ 2PCS</p>	 <p>⑳ 1PCS</p>
 <p>㉑ 2PCS</p>	 <p>㉒ 1PC</p>	 <p>㉓ 1PC</p>	 <p>㉔ 2PCS</p>
 <p>㉕ 2PCS</p>	 <p>㉖ 2PCS</p>	 <p>㉗ 2PCS</p>	 <p>㉘ 2PCS</p>

PARTS LIST

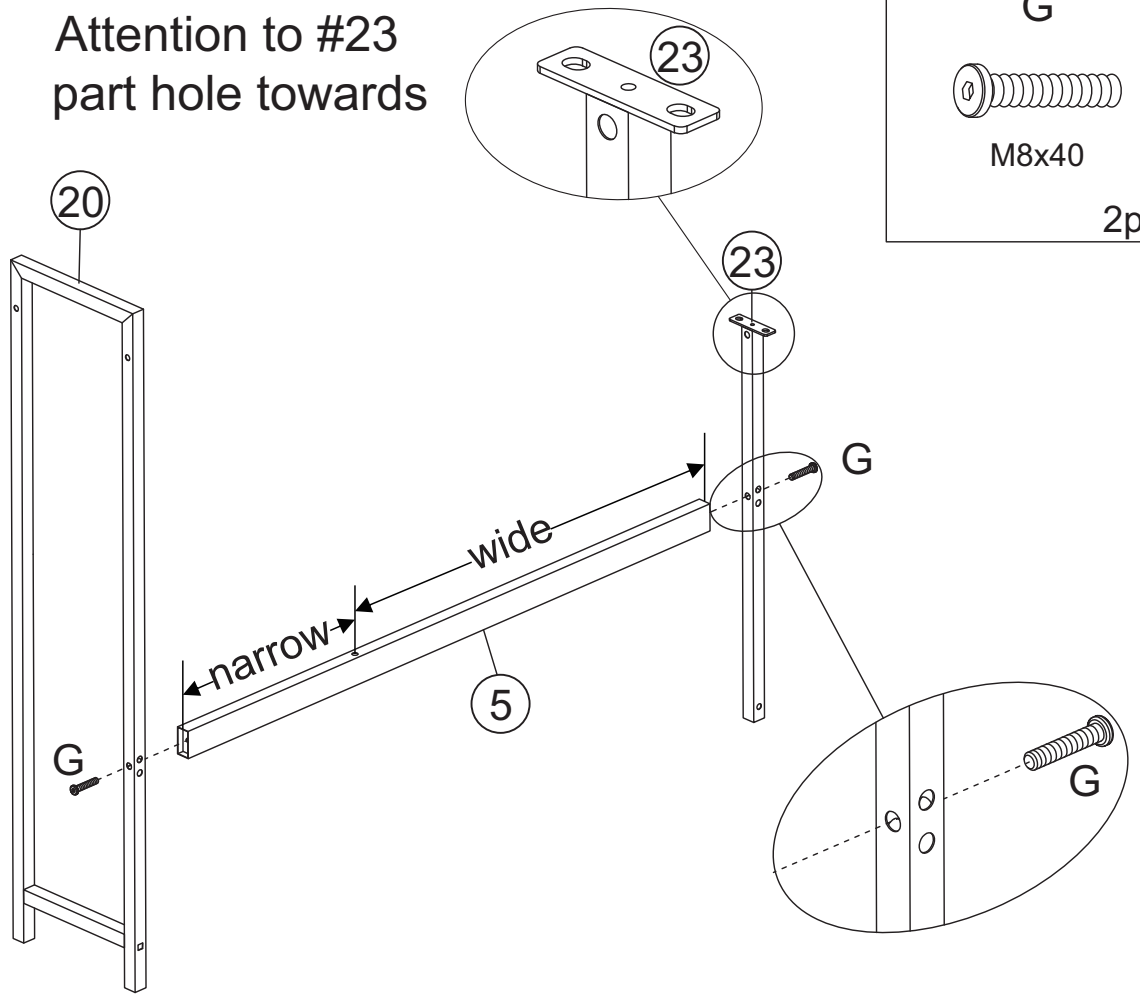
<p>29</p>  <p>1PC</p>	<p>30</p>  <p>1PC</p>	<p>31</p>  <p>1PC</p>	<p>32</p>  <p>1PC</p>
<p>33</p>  <p>1PC</p>	<p>34 short</p>  <p>1PC</p>	<p>35 short</p>  <p>1PC</p>	<p>36 long</p>  <p>1PCS</p>
<p>37</p>  <p>1PC</p>	<p>38</p>  <p>1PC</p>	<p>39</p>  <p>2PCS</p>	<p>40 long</p>  <p>1PC</p>
<p>41</p>  <p>1PC</p>	<p>42</p>  <p>1PC</p>	<p>43</p>  <p>1PC</p>	<p>44</p>  <p>1PC</p>
<p>45</p>  <p>1PCS</p>			

PARTS LIST

<p>A</p>  <p>M6x12</p> <p>2pcs+1</p>	<p>B</p>  <p>M6x28</p> <p>18pcs+1</p>	<p>C</p>  <p>M8x60</p> <p>2pcs+1</p>	<p>D</p>  <p>M6x38</p> <p>12pcs+1</p>	<p>E</p>  <p>M6x60</p> <p>2pcs+1</p>
<p>F</p>  <p>M8x15</p> <p>10pcs+1</p>	<p>G</p>  <p>M8x40</p> <p>22pcs+2</p>	<p>H</p>  <p>M5x35</p> <p>84pcs+4</p>	<p>I</p>  <p>Ø6x35</p> <p>2pcs+1</p>	<p>J</p>  <p>Ø15x10</p> <p>2pcs+1</p>
<p>K</p>  <p>M6x20</p> <p>1pc+1</p>	<p>L</p>  <p>M4x10</p> <p>12pcs+1</p>	<p>M</p>  <p>Ø3.5x10</p> <p>26pcs+2</p>	<p>N</p>  <p>Ø6x40</p> <p>3pc+1</p>	<p>O</p>  <p>M6x60</p> <p>3pcs+1</p>
<p>P</p>  <p>M5</p> <p>1+1pc</p>	<p>Q</p>  <p>M4</p> <p>2pcs</p>	<p>R</p>  <p>6pcs</p>	<p>S</p>  <p>6pcs</p>	<p>T</p>  <p>6pcs</p>
<p>U</p>  <p>1pc</p>	<p>V</p>  <p>M3</p> <p>2pcs</p>	<p>W</p>  <p>1pc</p>	<p>X</p>  <p>2pcs</p>	<p>Y</p>  <p>4pcs</p>
<p>Z</p>  <p>2pcs</p>	<p>AA</p>  <p>4pcs+1</p>	<p>AB</p>  <p>AB-1 AB-2</p> <p>2pcs</p>	<p>AC</p>  <p>2pc</p>	<p>AD</p>  <p>2pcs</p>
<p>AE</p>  <p>1pcs</p>				

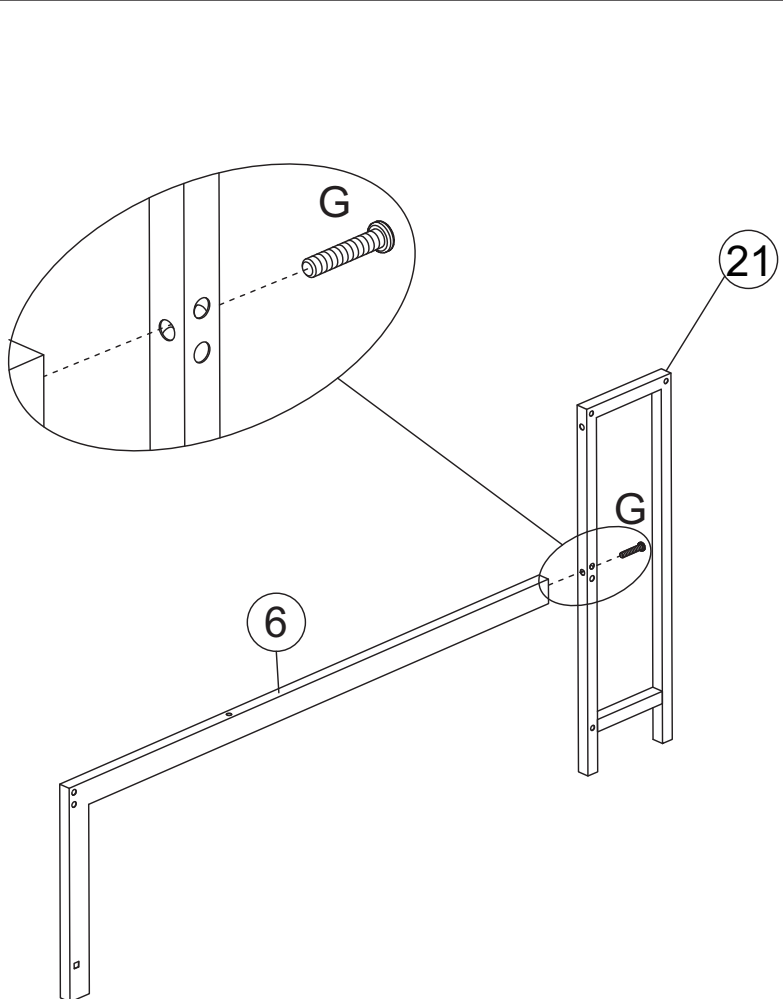
Step 1

Attention to #23
part hole towards



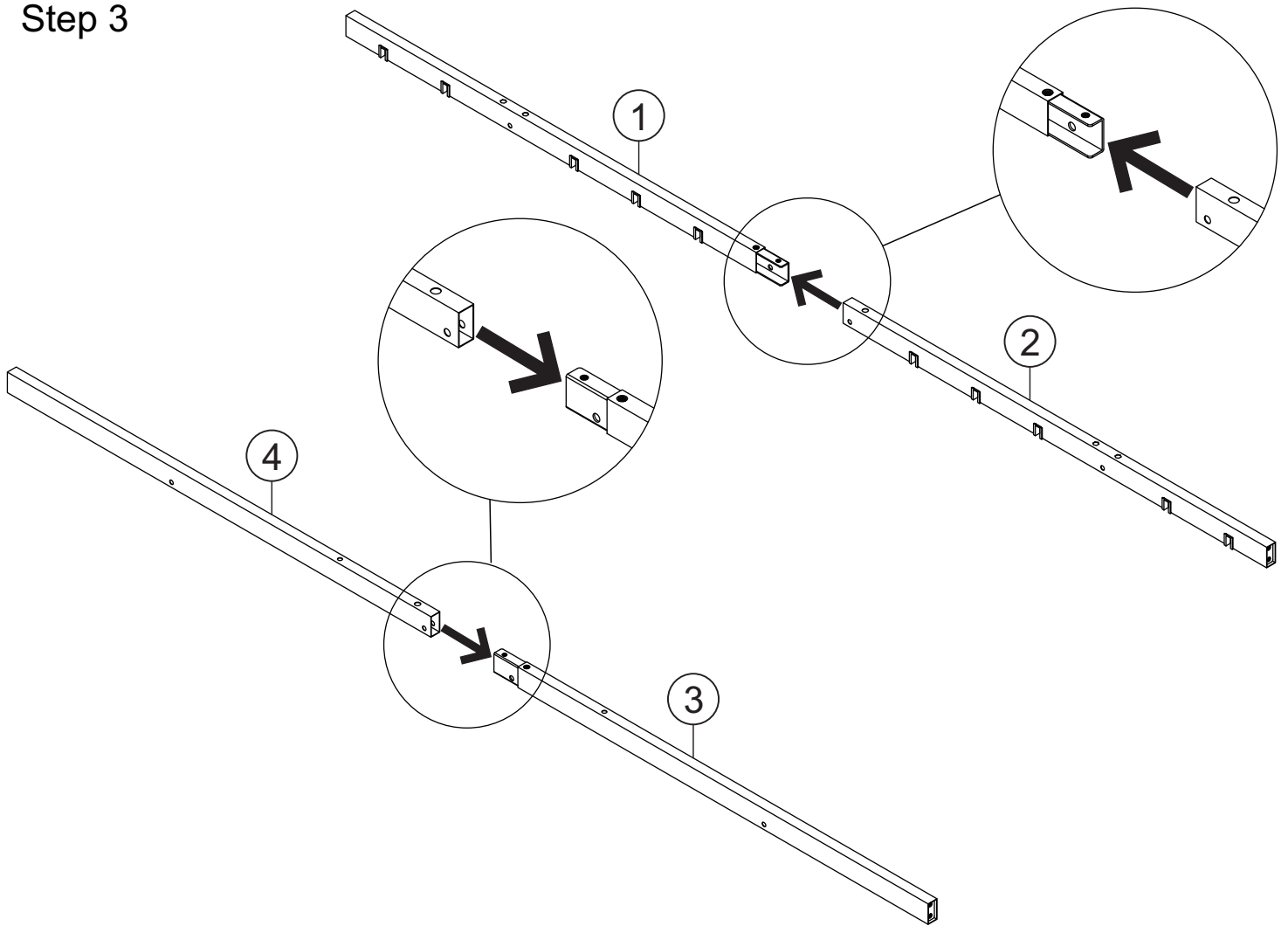
G
M8x40
2pcs

Step 2

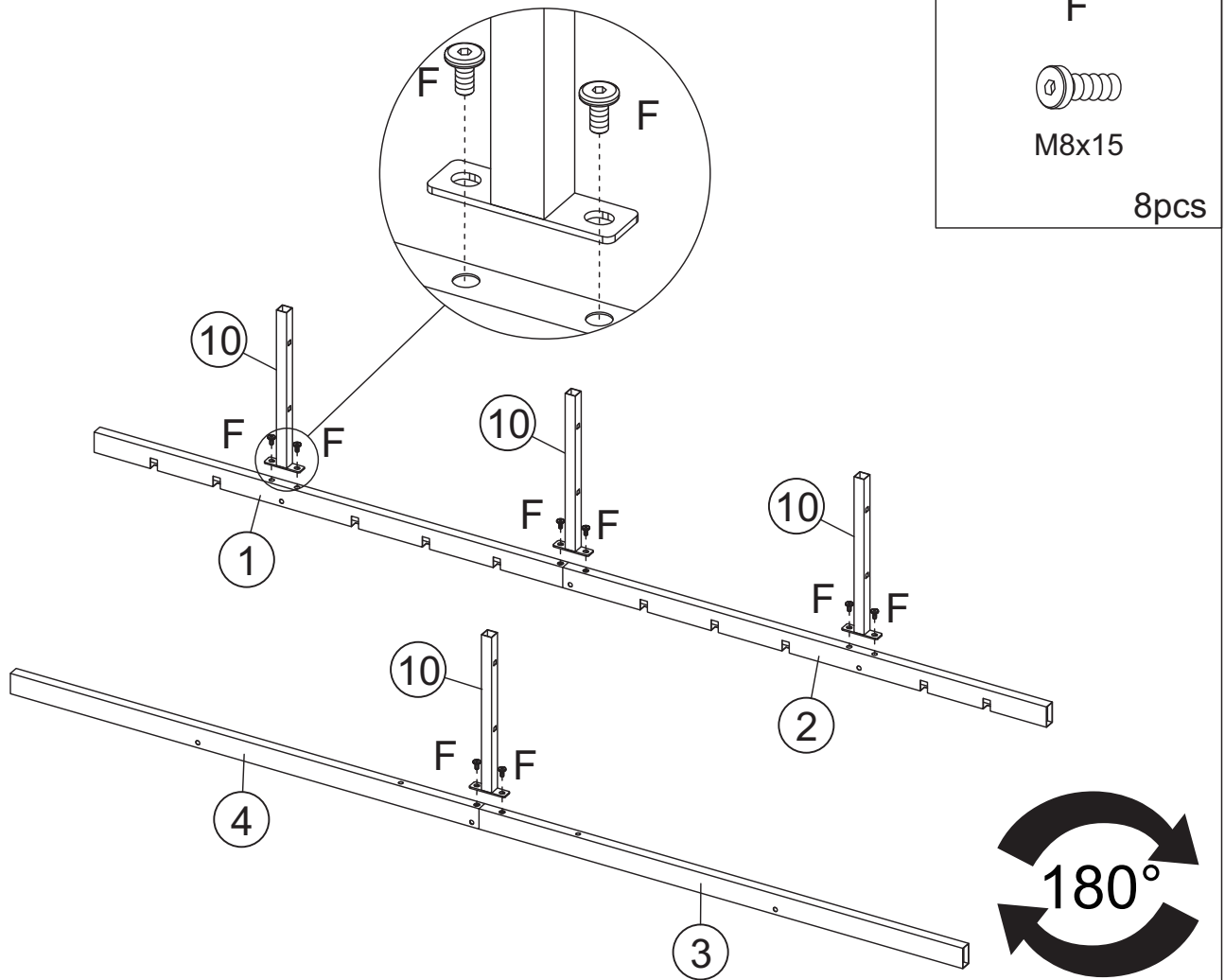


G
M8x40
1pc

Step 3

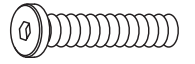


Step 4



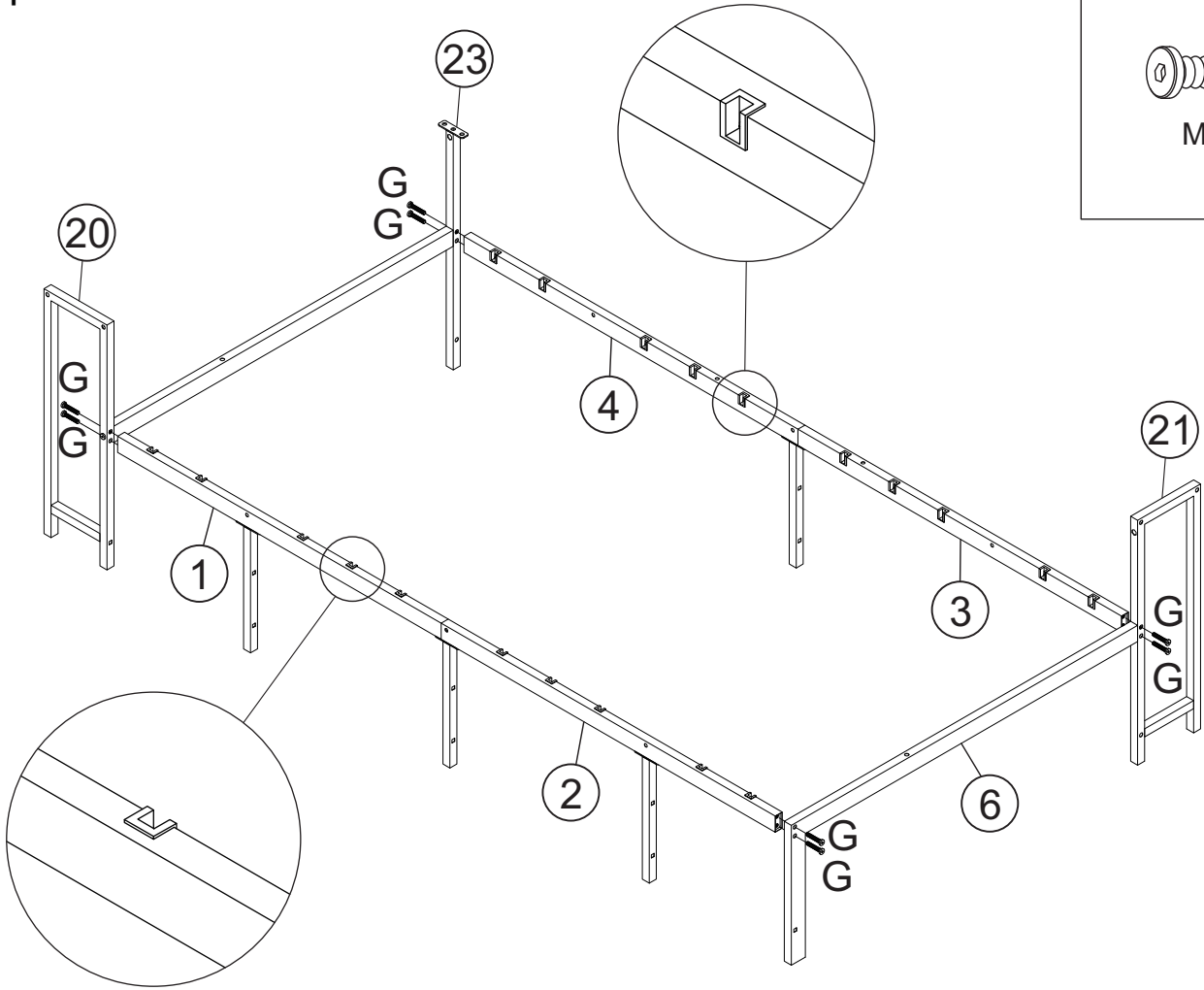
Step 5

G



M8x40

8pcs



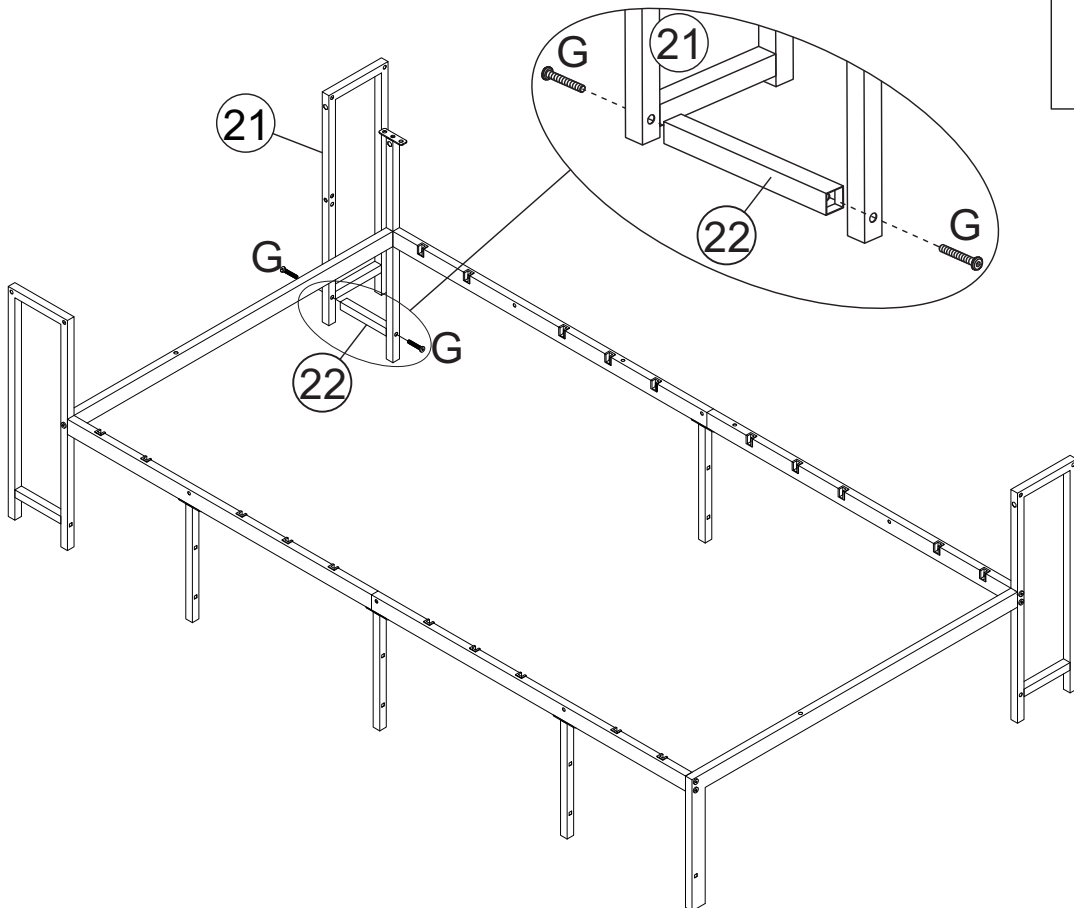
Step 6

G

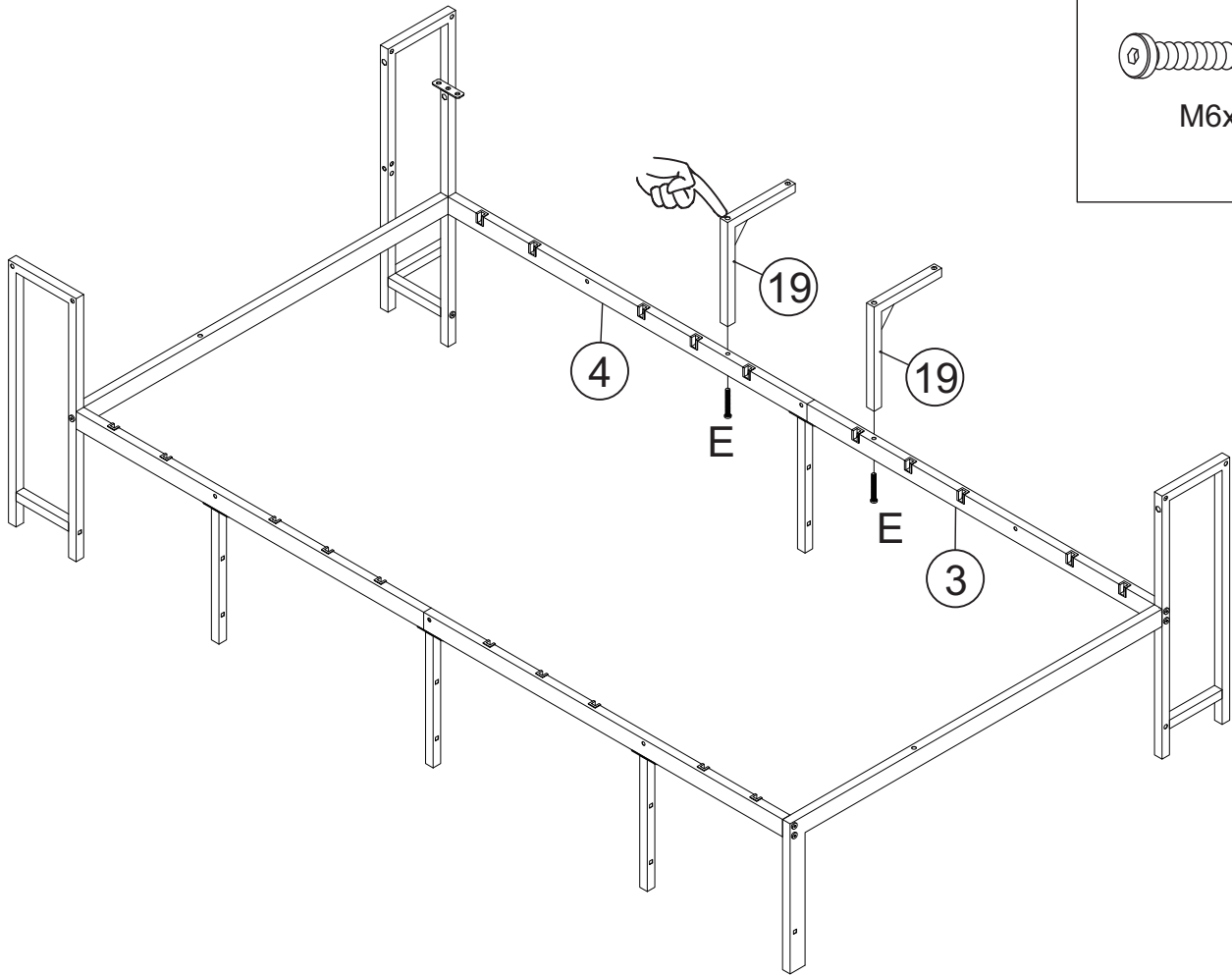


M8x40


2pcs



Step 7



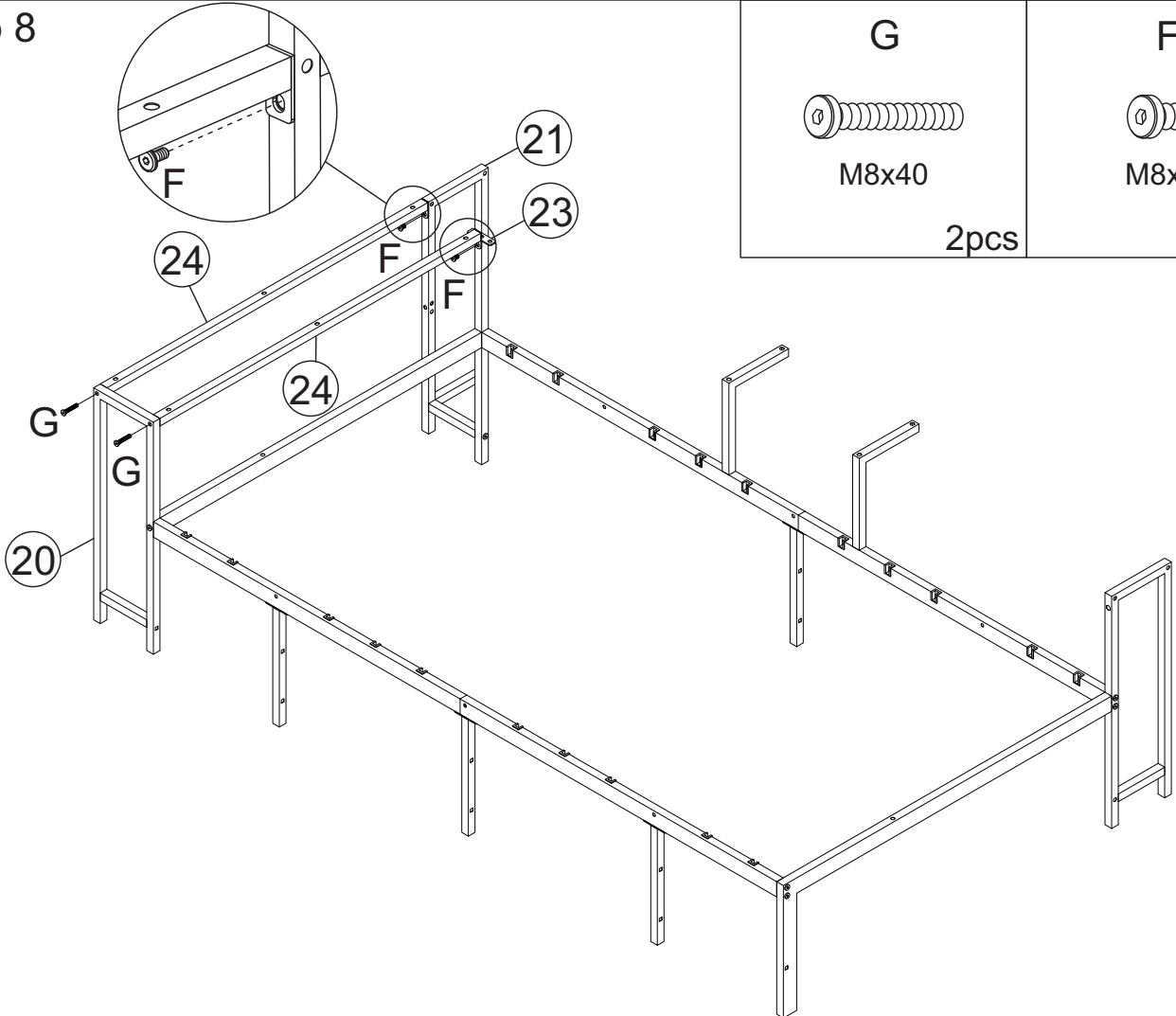
E



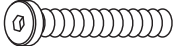
M6x60

2pcs

Step 8




G



M8x40

2pcs

F



M8x15

2pcs

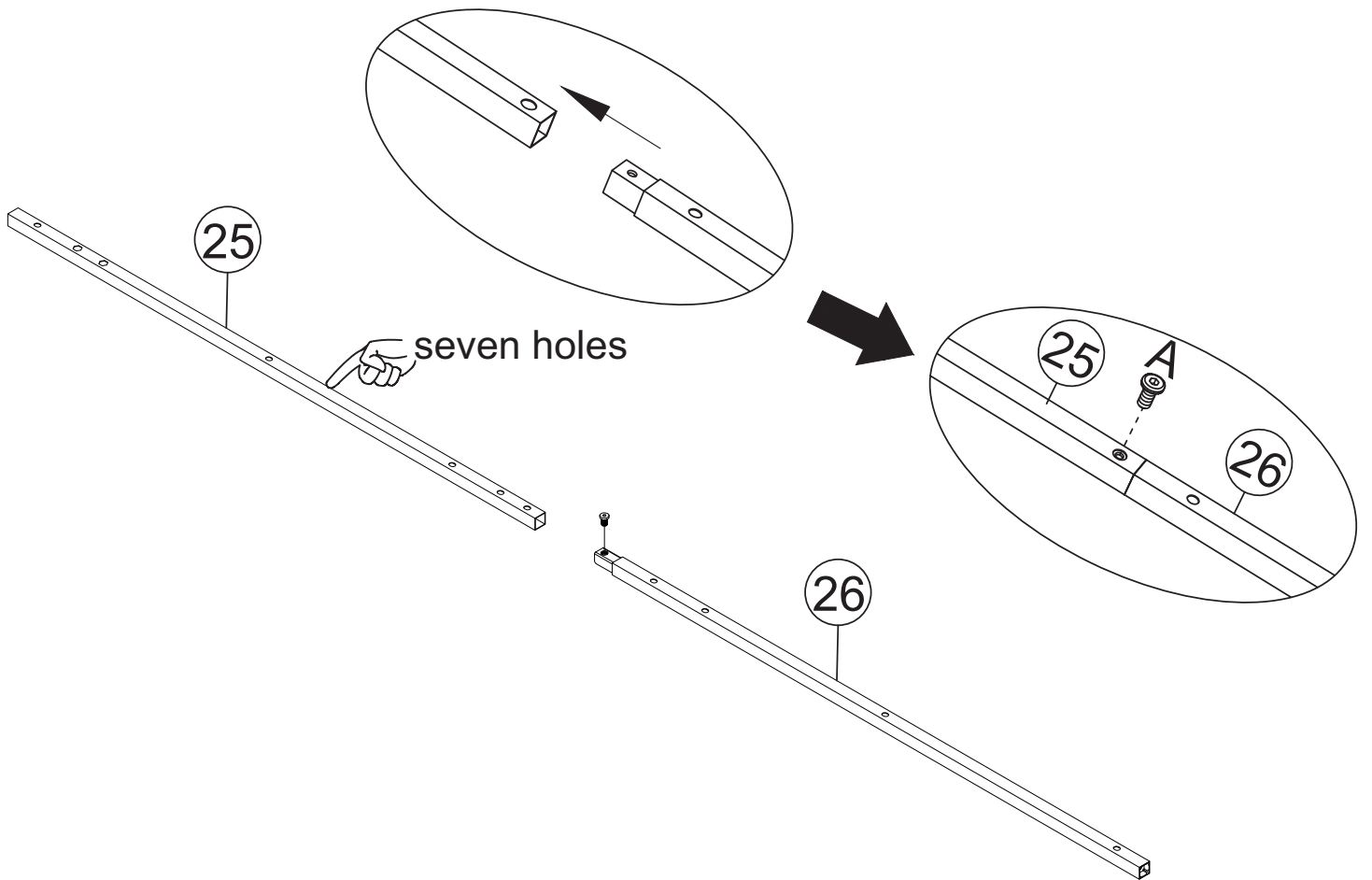
Step 9

A



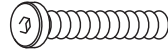

M6x12

2pcs

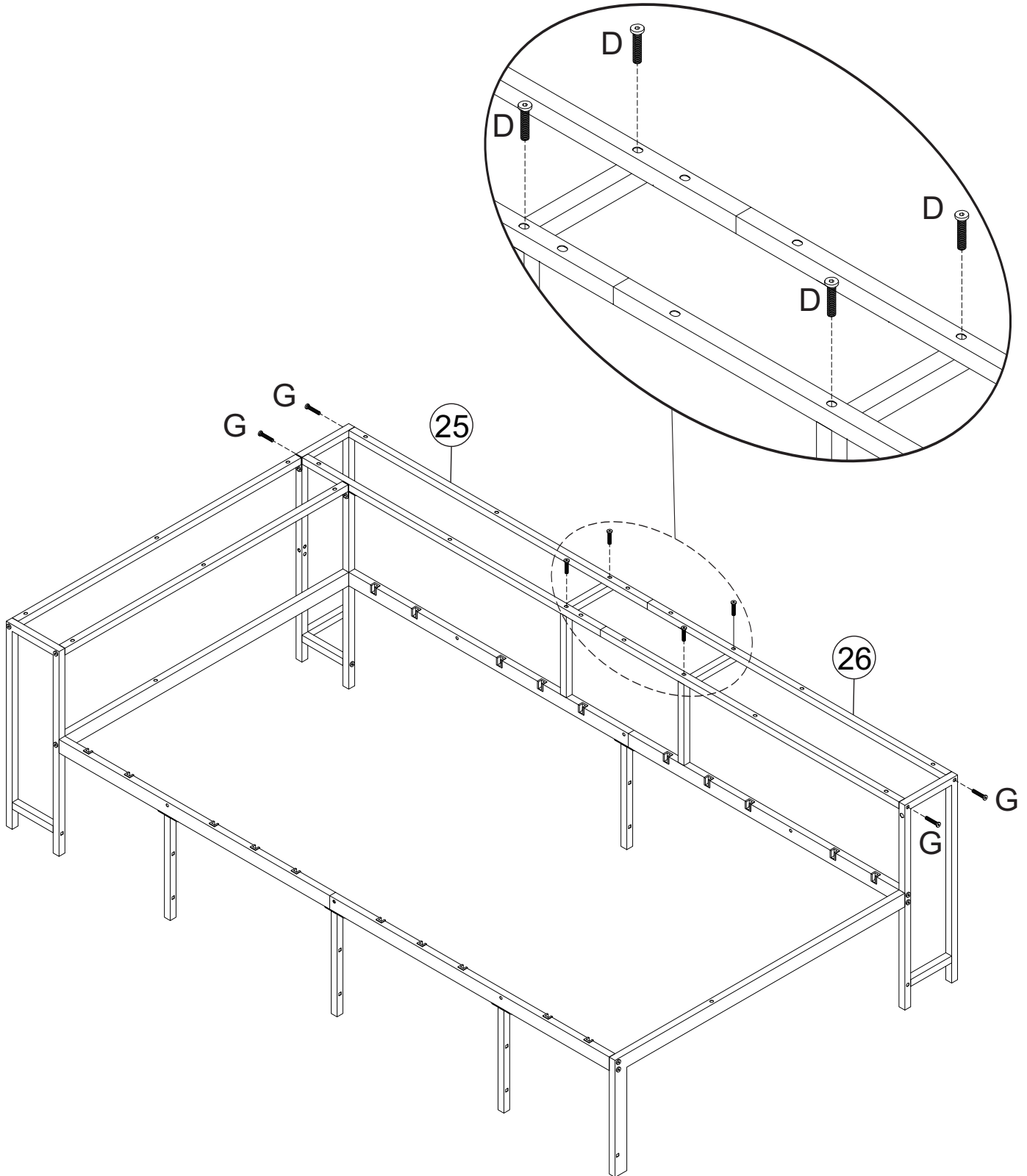


x2

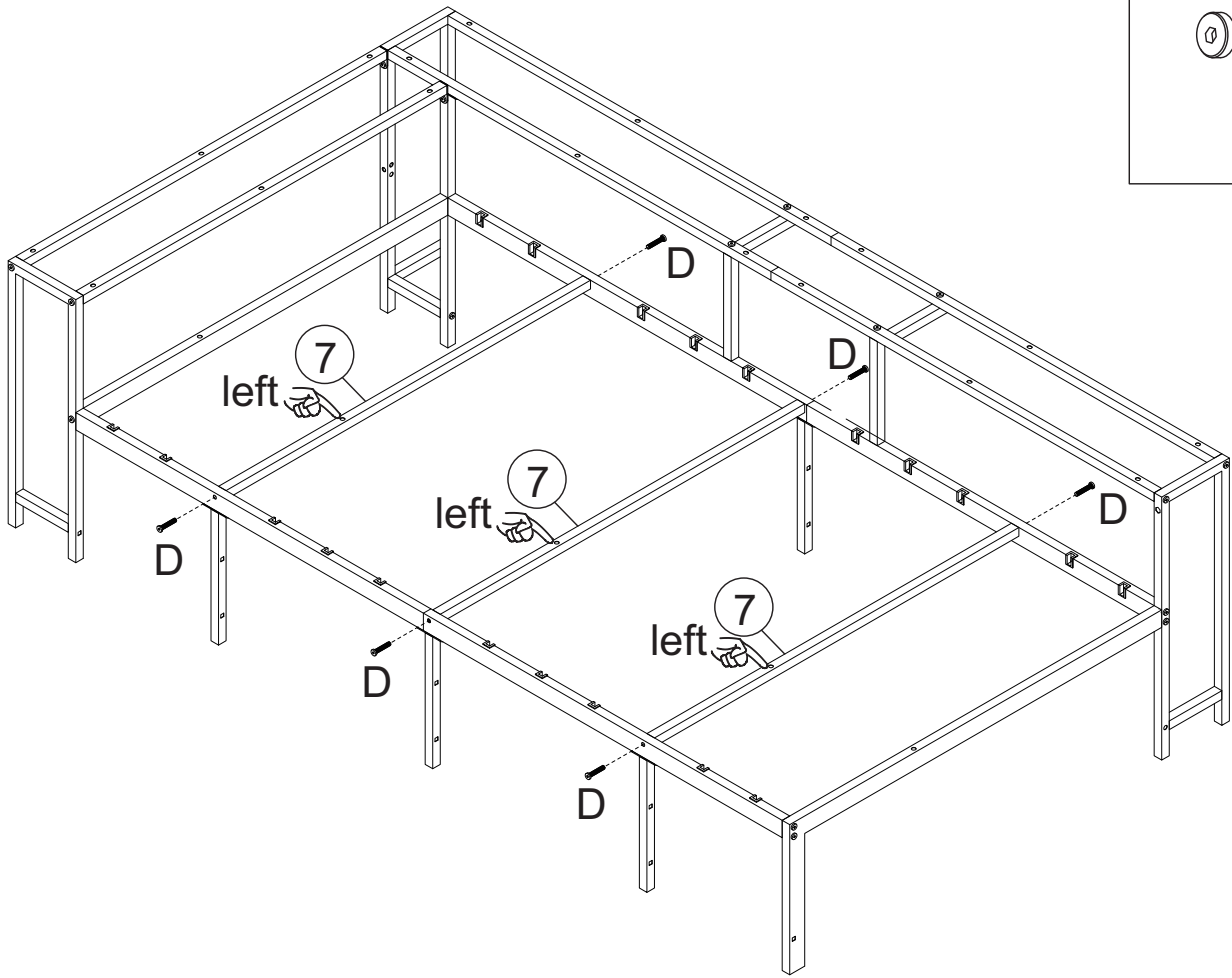
Step 10

D  M6x38 4pcs	G  M8x40 4pcs
--	--

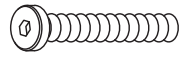
The screw faces downward.



Step 11



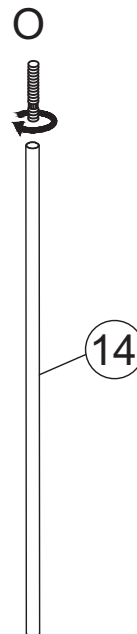
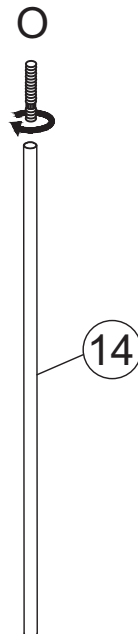
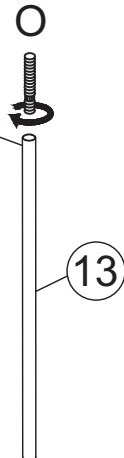
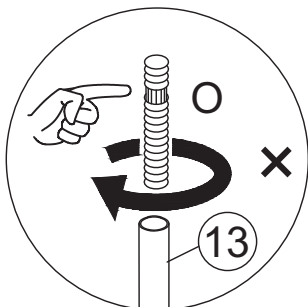
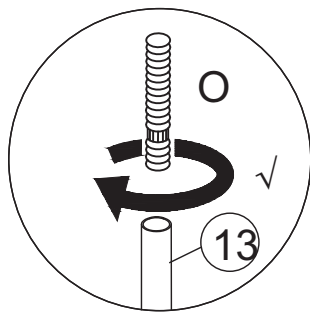
D



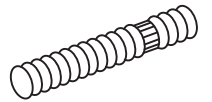
M6x38

6pcs

Step 12



O



M6x60

3pcs

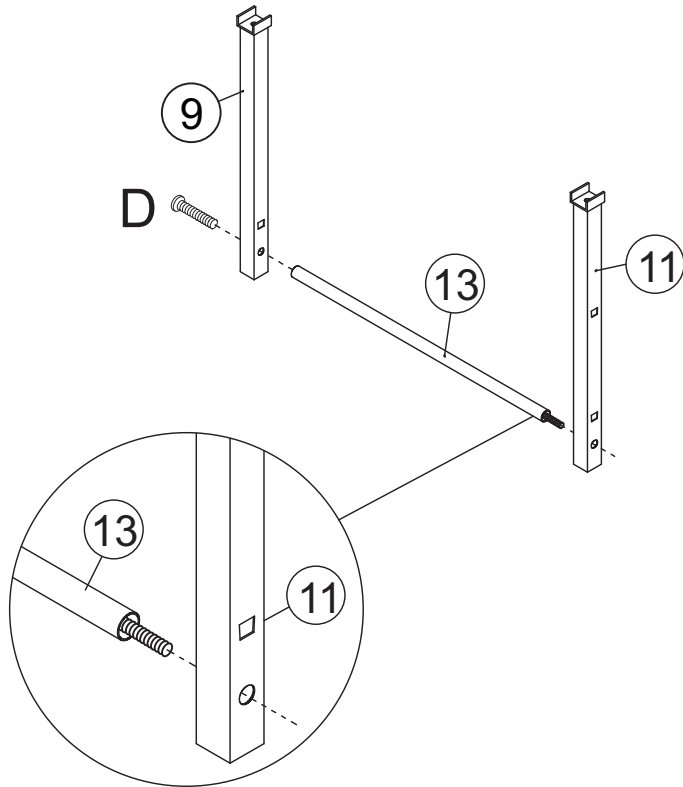
Step 13

D

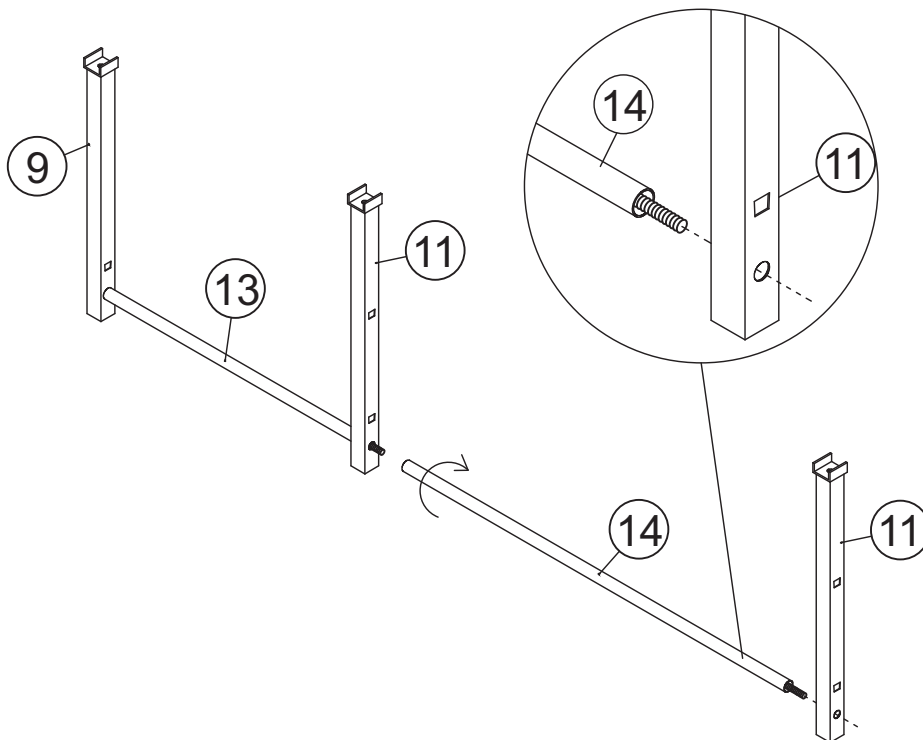


M6x38

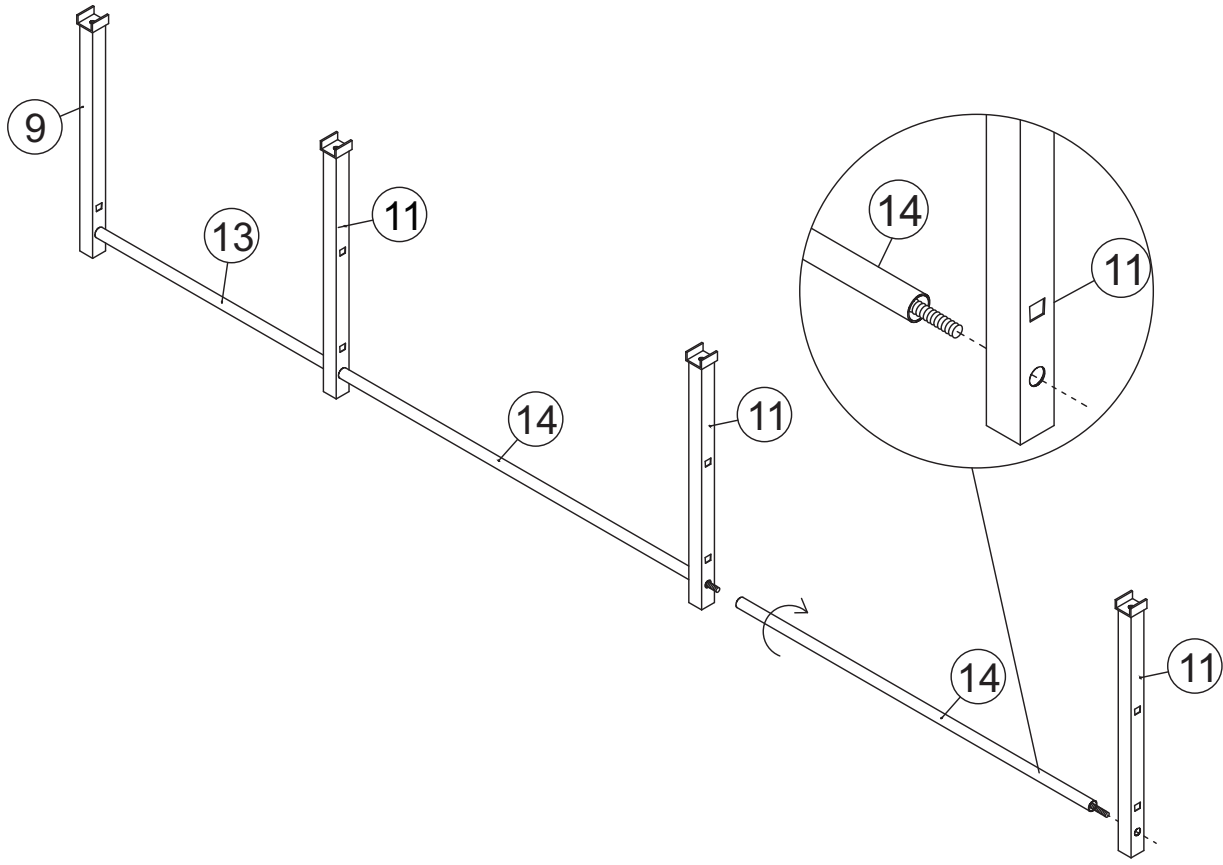
1pc



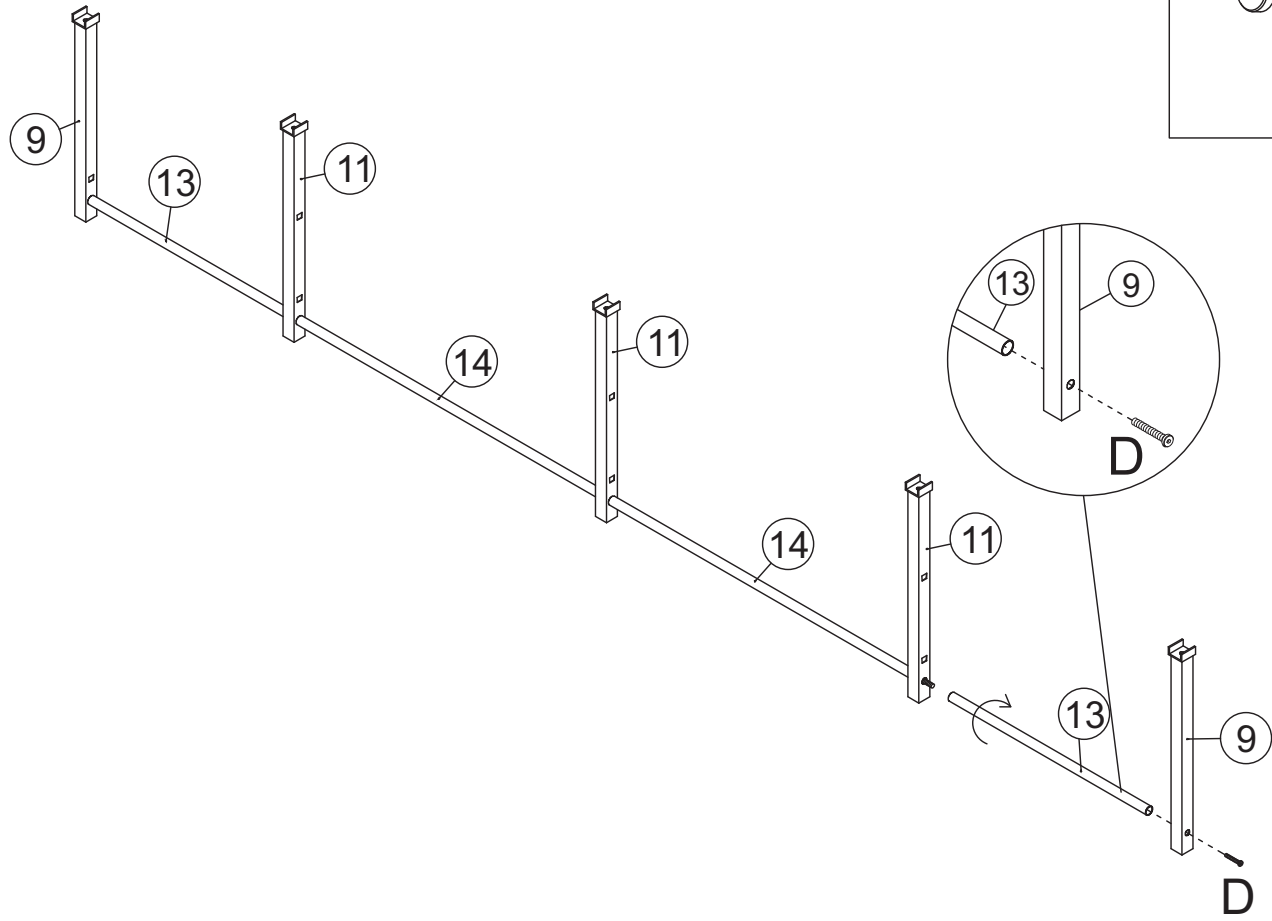
Step 14



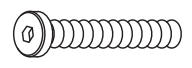
Step 15



Step 16



D

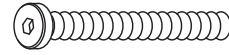


M6x38

1pc

Step 17

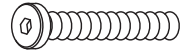
C



M8x60

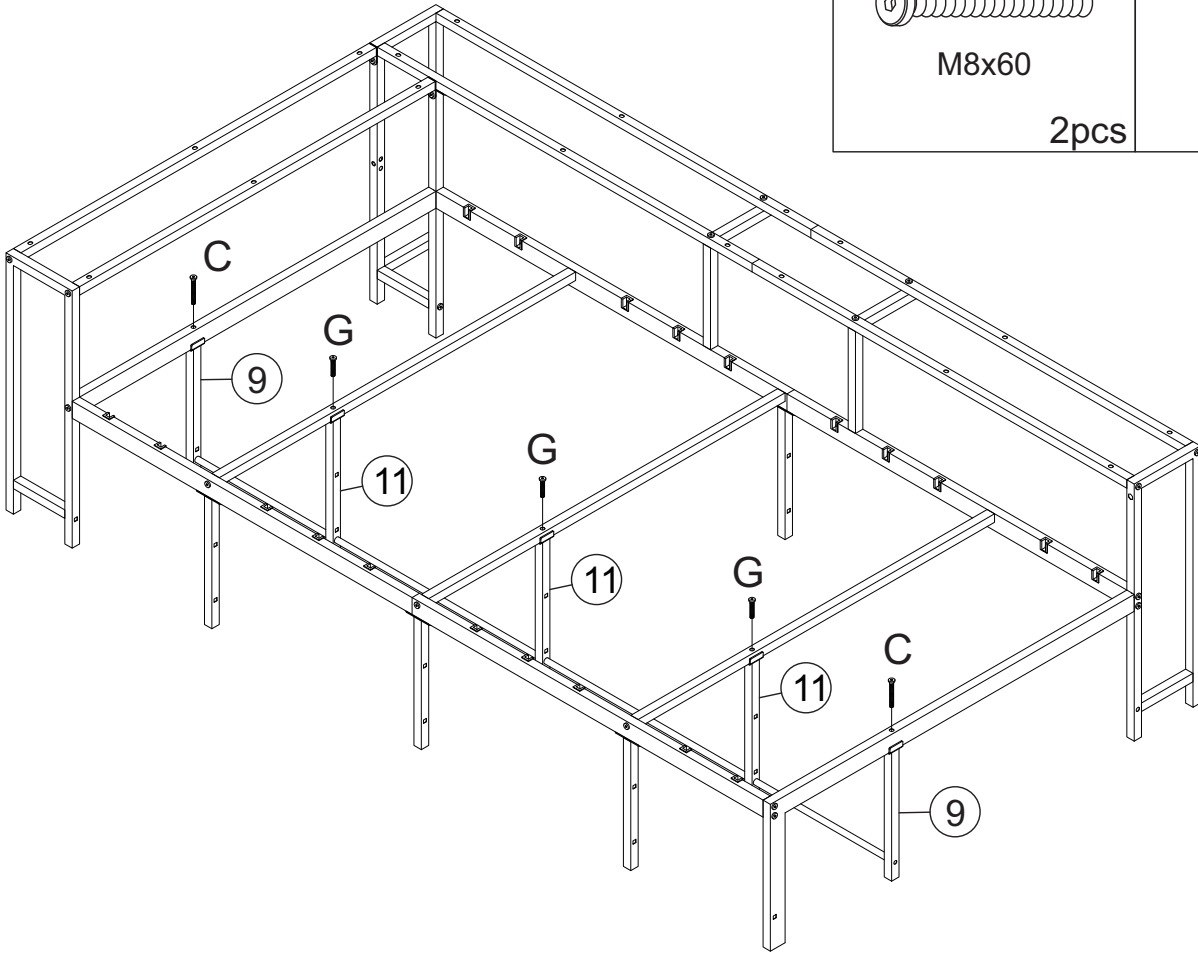
2pcs

G

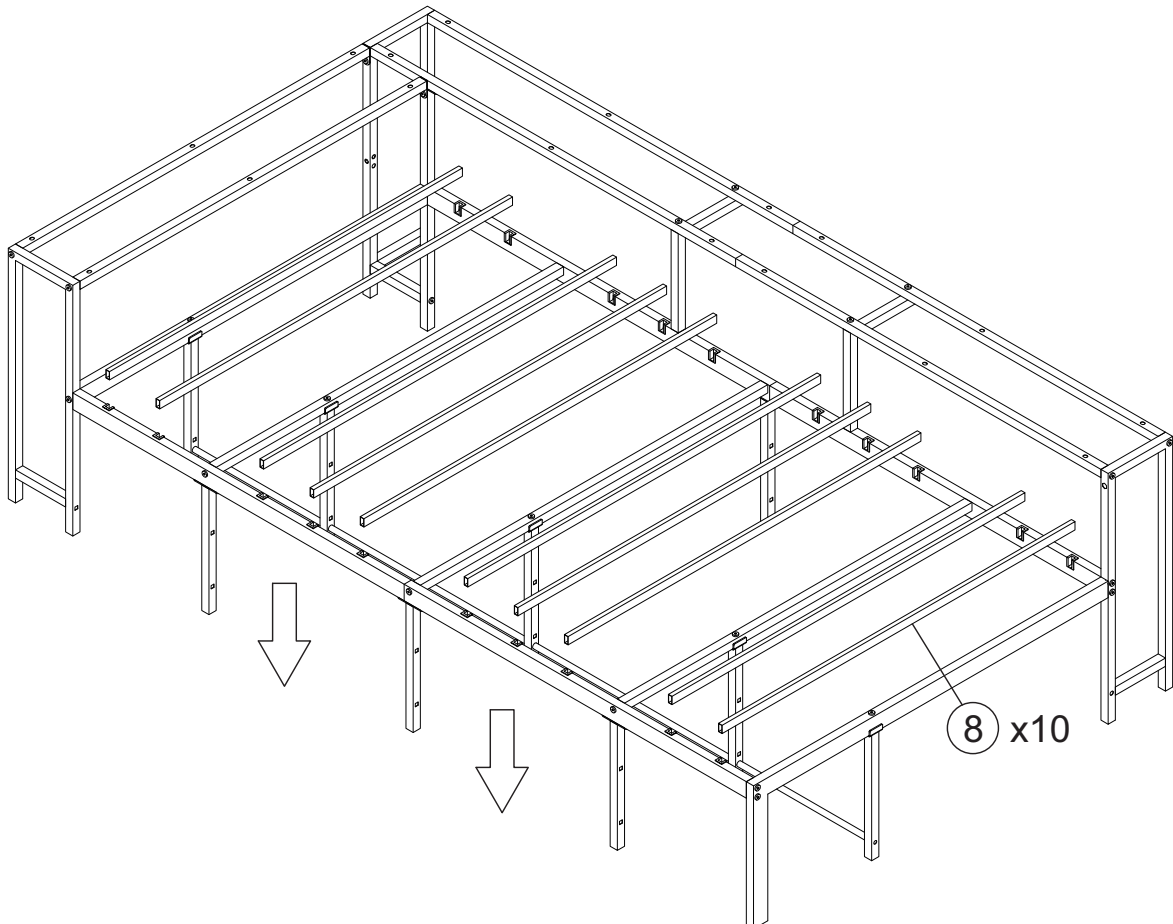


M8x40

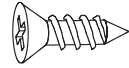
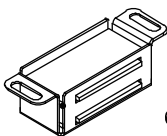
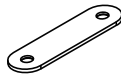
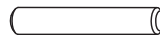
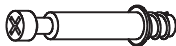
3pcs

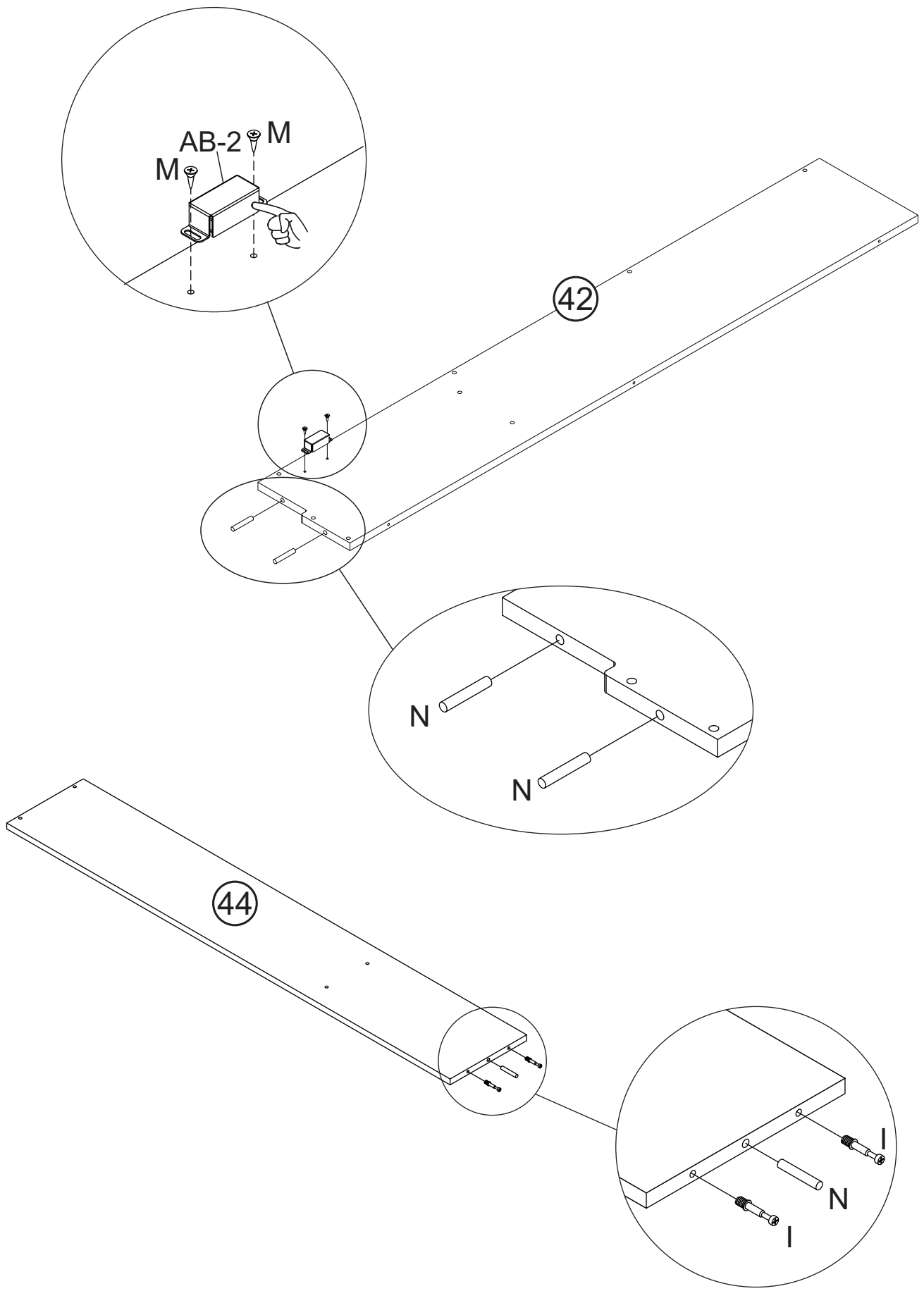


Step 18



Step 19

<p>M</p>  <p>Ø3.5x10</p> <p>2pcs</p>	<p>AB</p>  <p>AB-1</p>  <p>AB-2</p> <p>1pcs</p>	<p>N</p>  <p>Ø6x40</p> <p>3pc</p>	<p>I</p>  <p>Ø6x35</p> <p>2pcs</p>
--	--	---	--



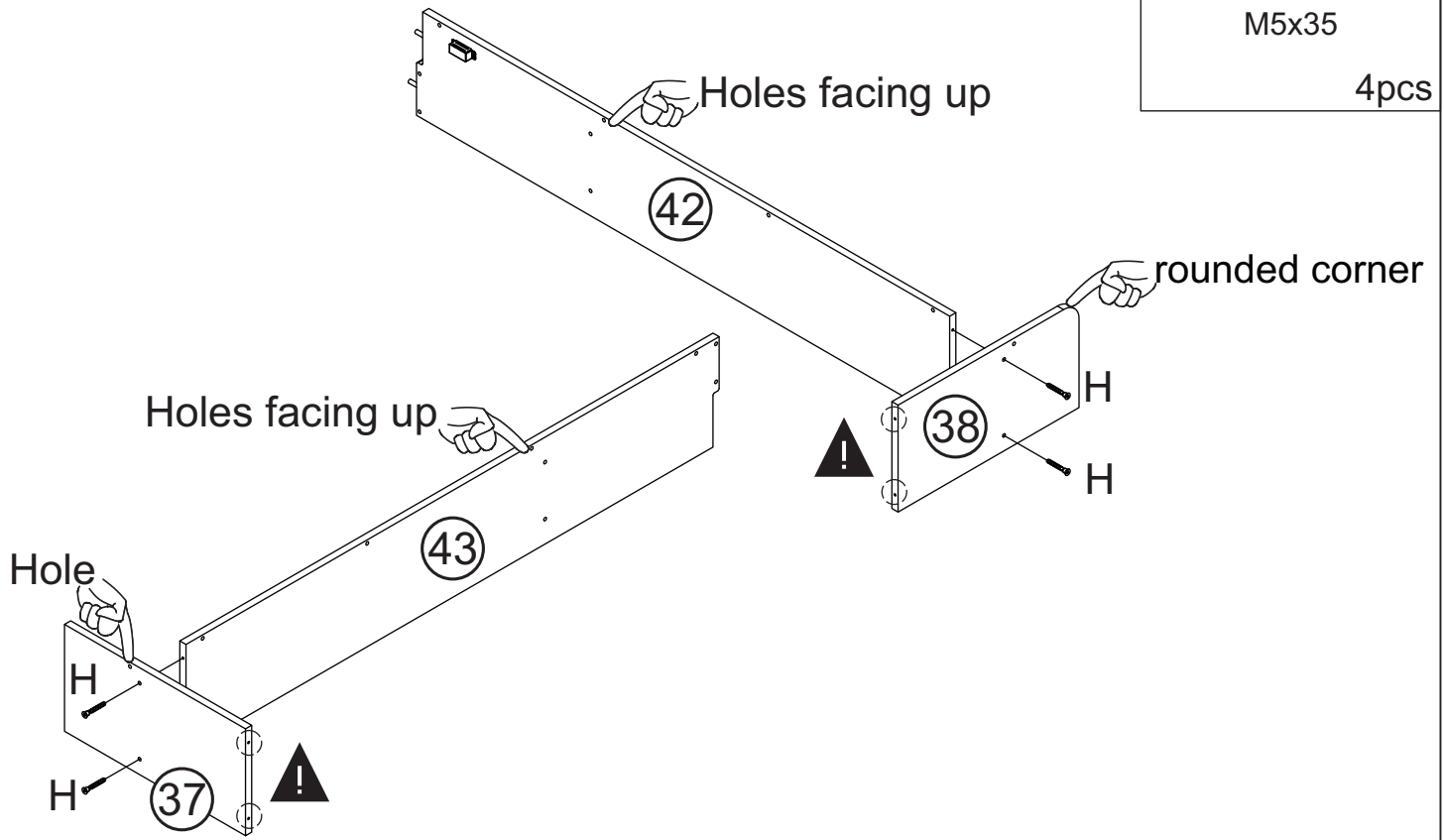
Step 20

H

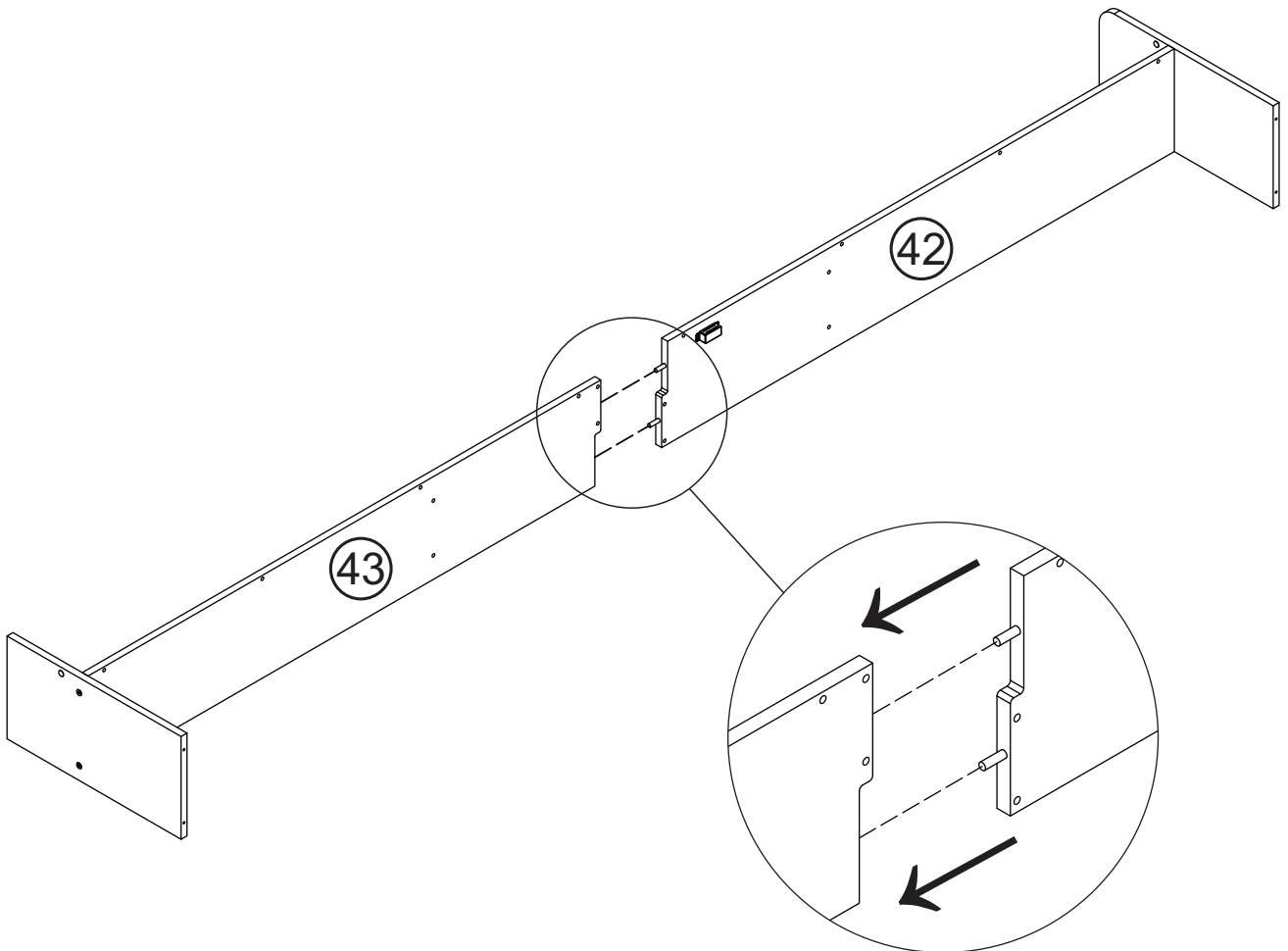


M5x35

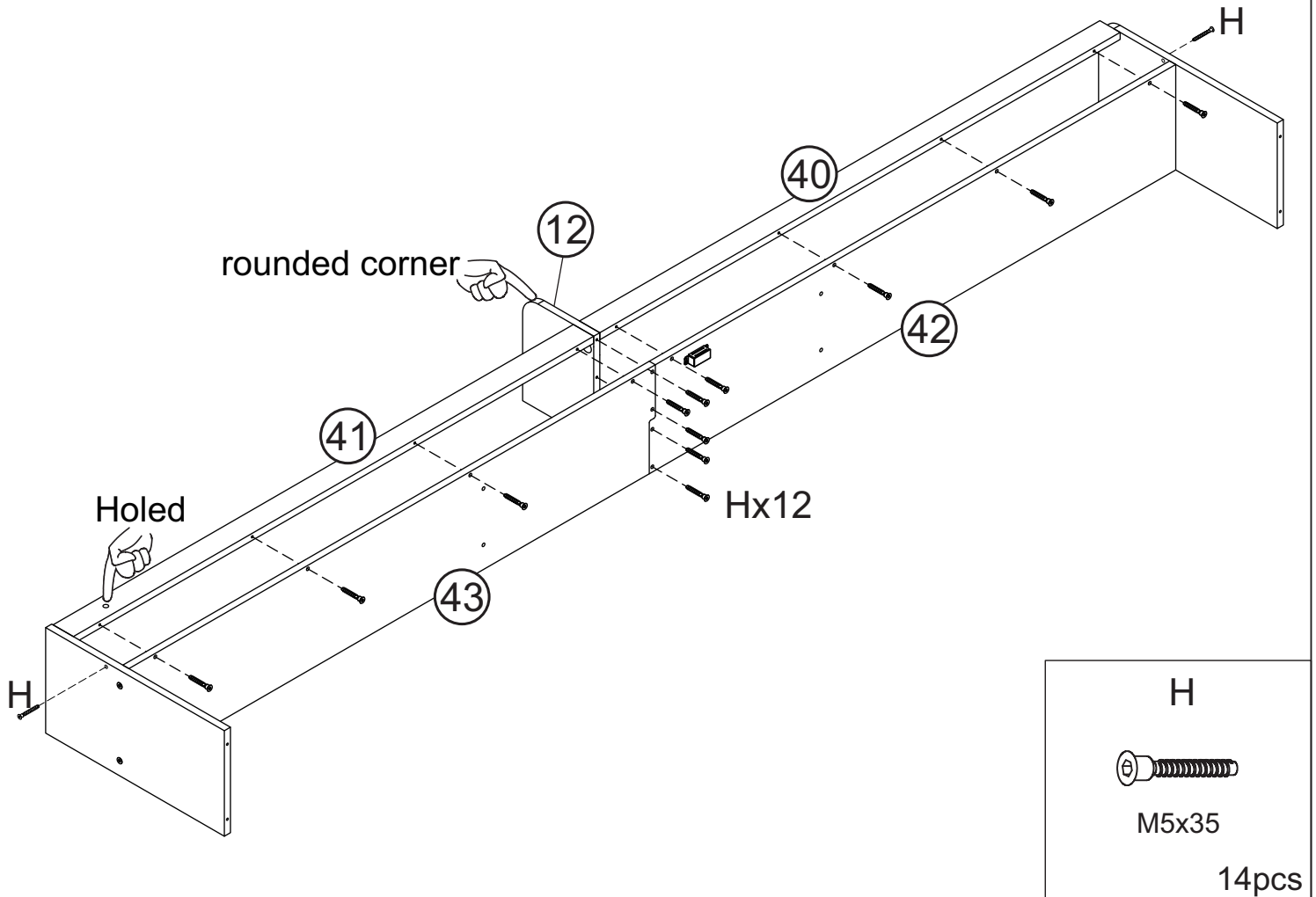
4pcs



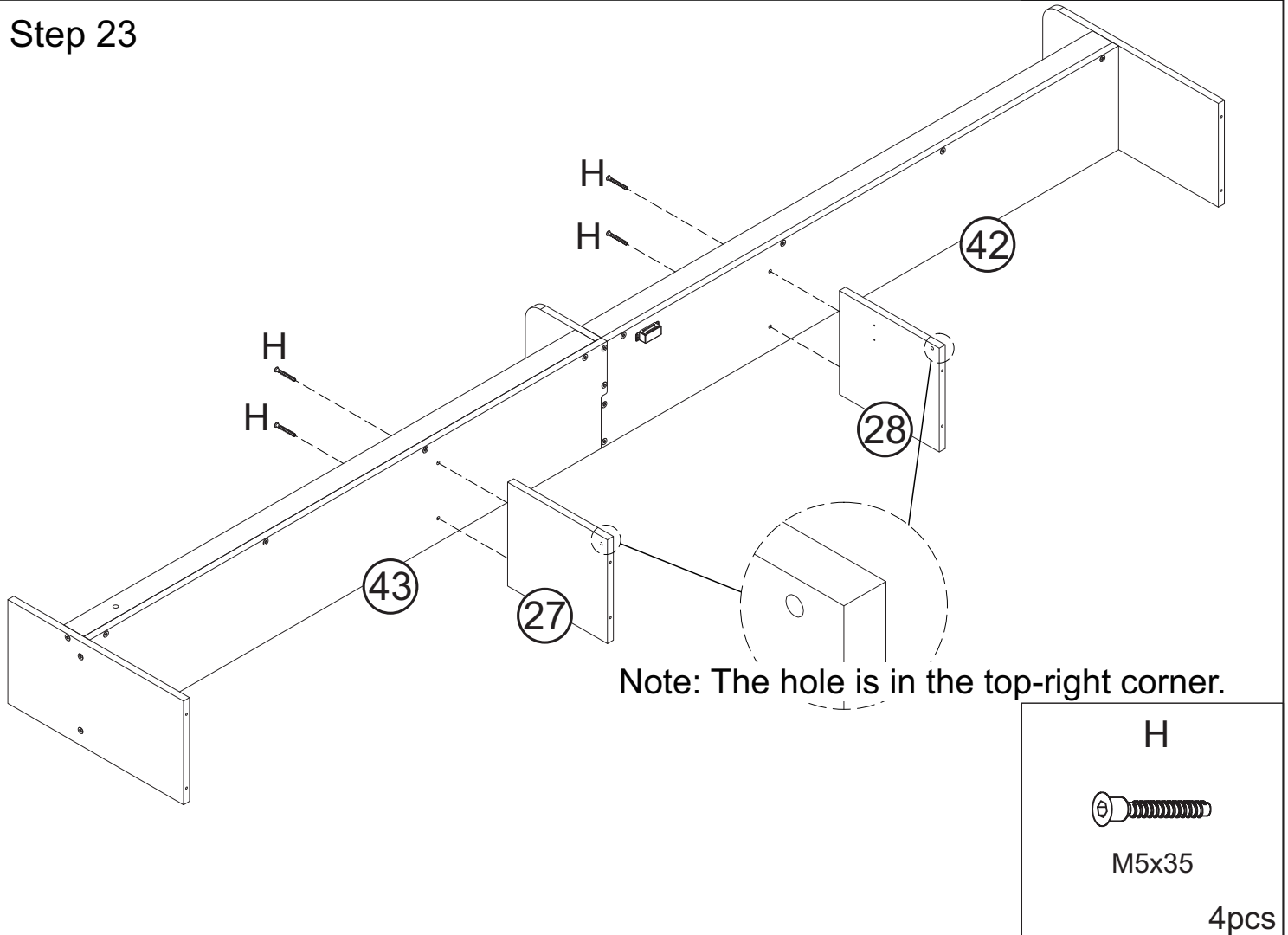
Step 21



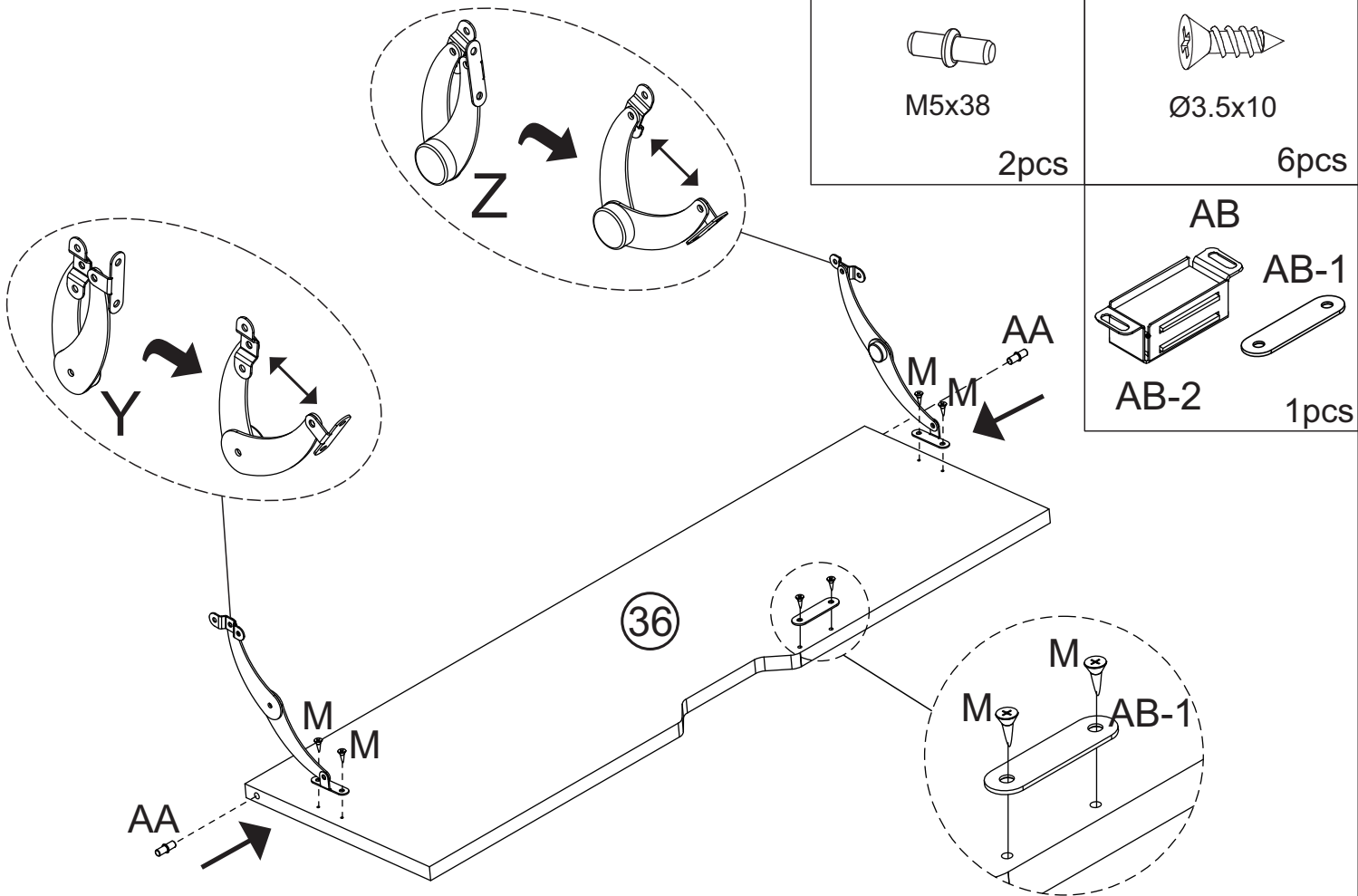
Step 22



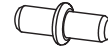
Step 23



Step 24



AA



M5x38

2pcs

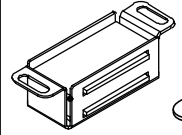
M



Ø3.5x10

6pcs

AB

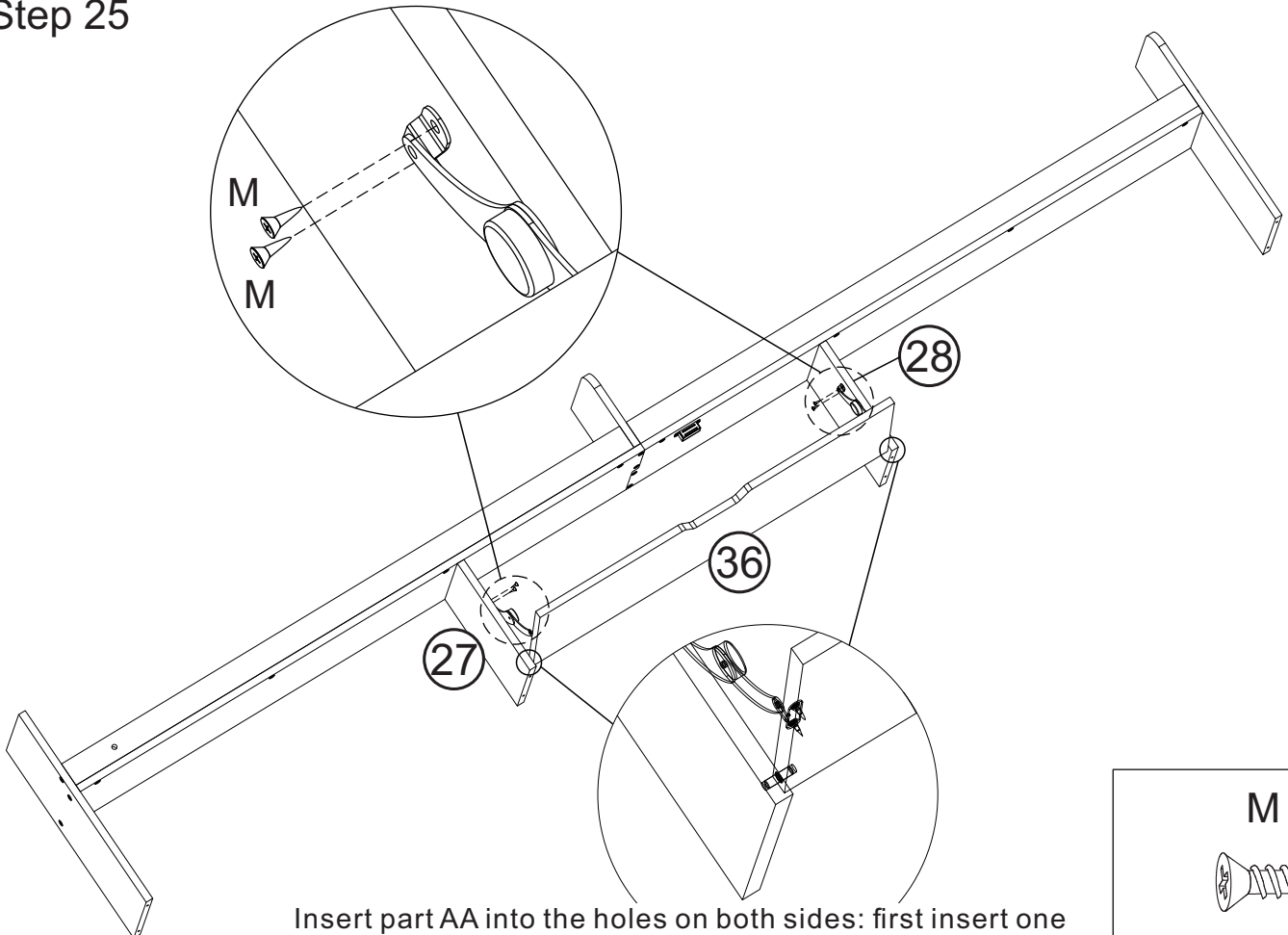


AB-1

AB-2

1pcs

Step 25



M



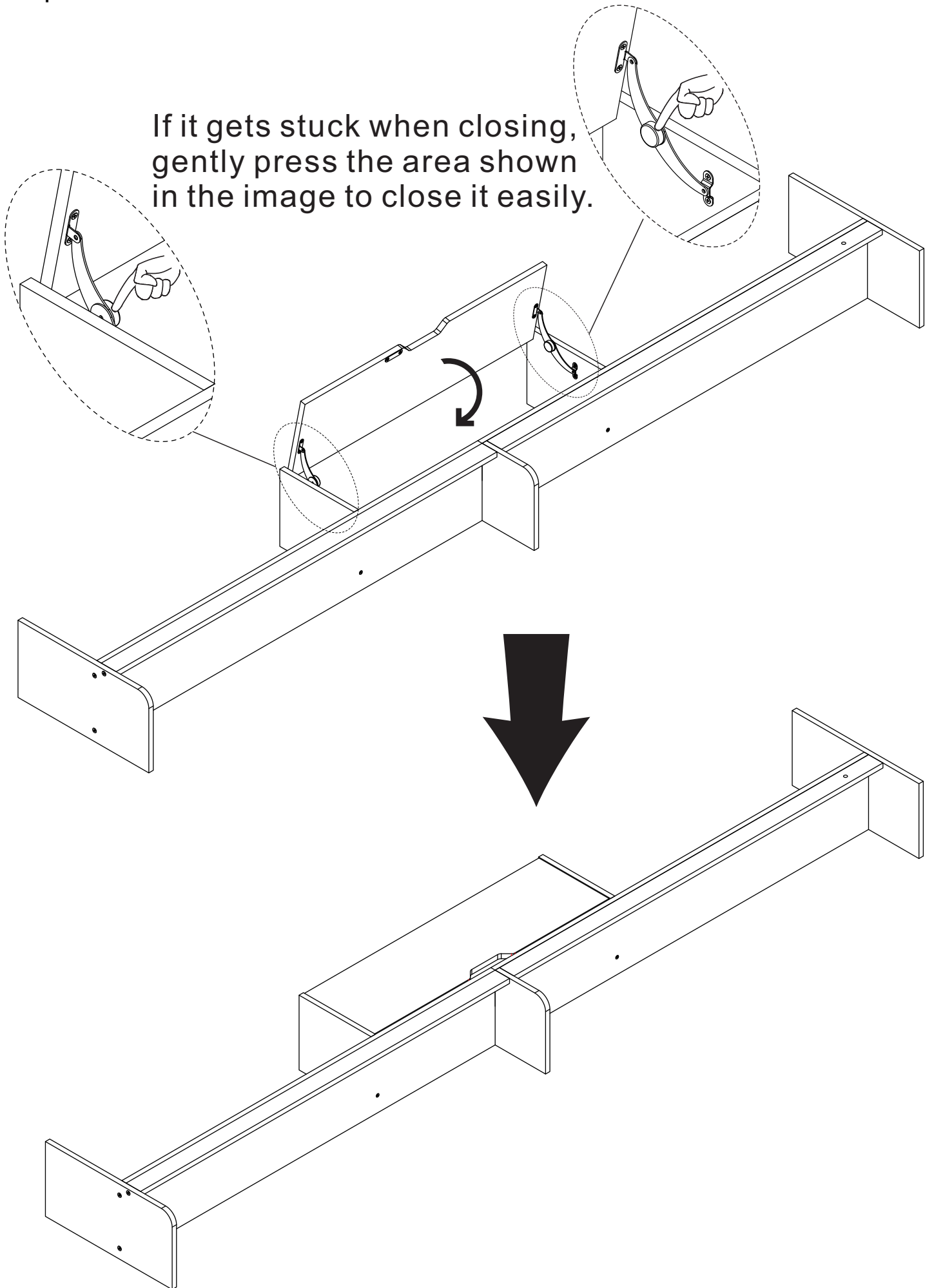
Ø3.5x10

4pcs

Insert part AA into the holes on both sides: first insert one side, then carefully insert the other—this sequence makes installation easier.

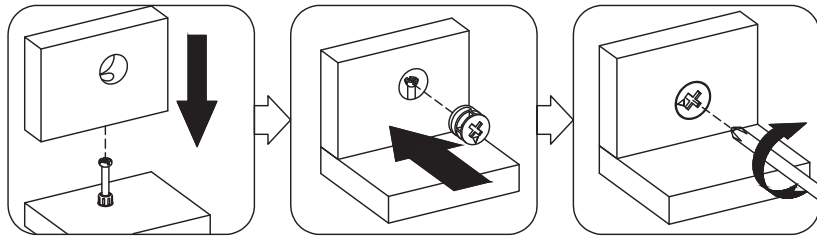
Step 26

If it gets stuck when closing, gently press the area shown in the image to close it easily.



⚠: Please do not operate violently.

Step 27

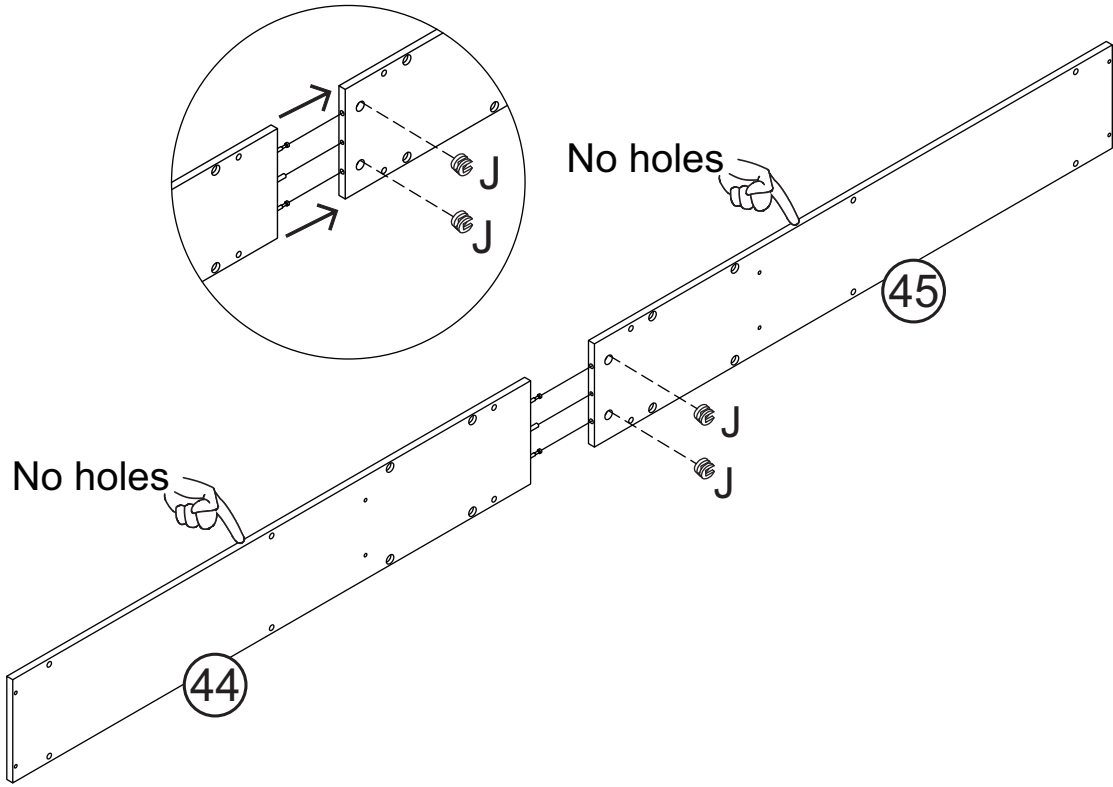


J

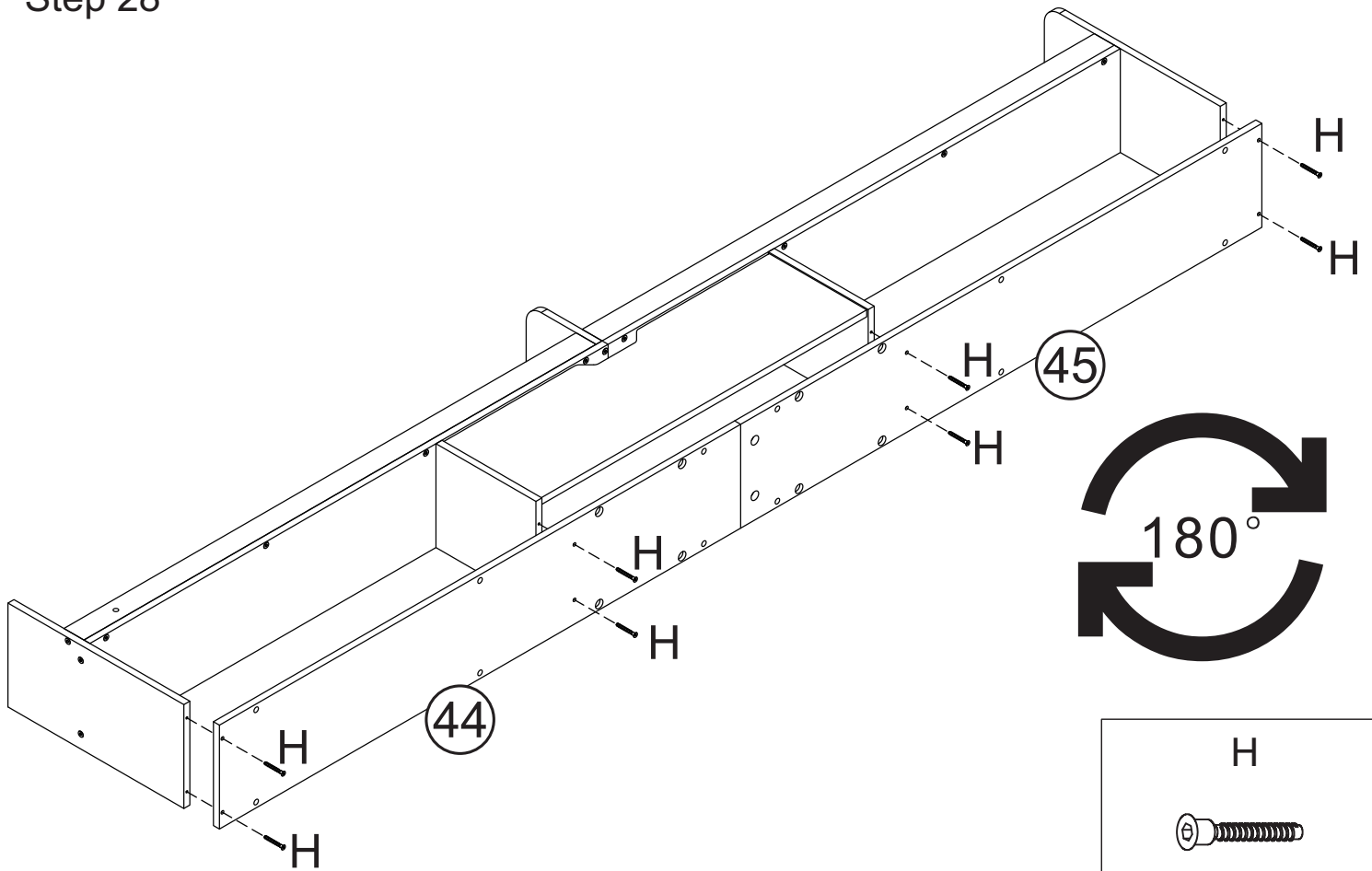


Ø15x10

2pcs



Step 28



H

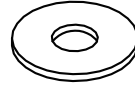


M5x35

8pcs

Step 29

AD



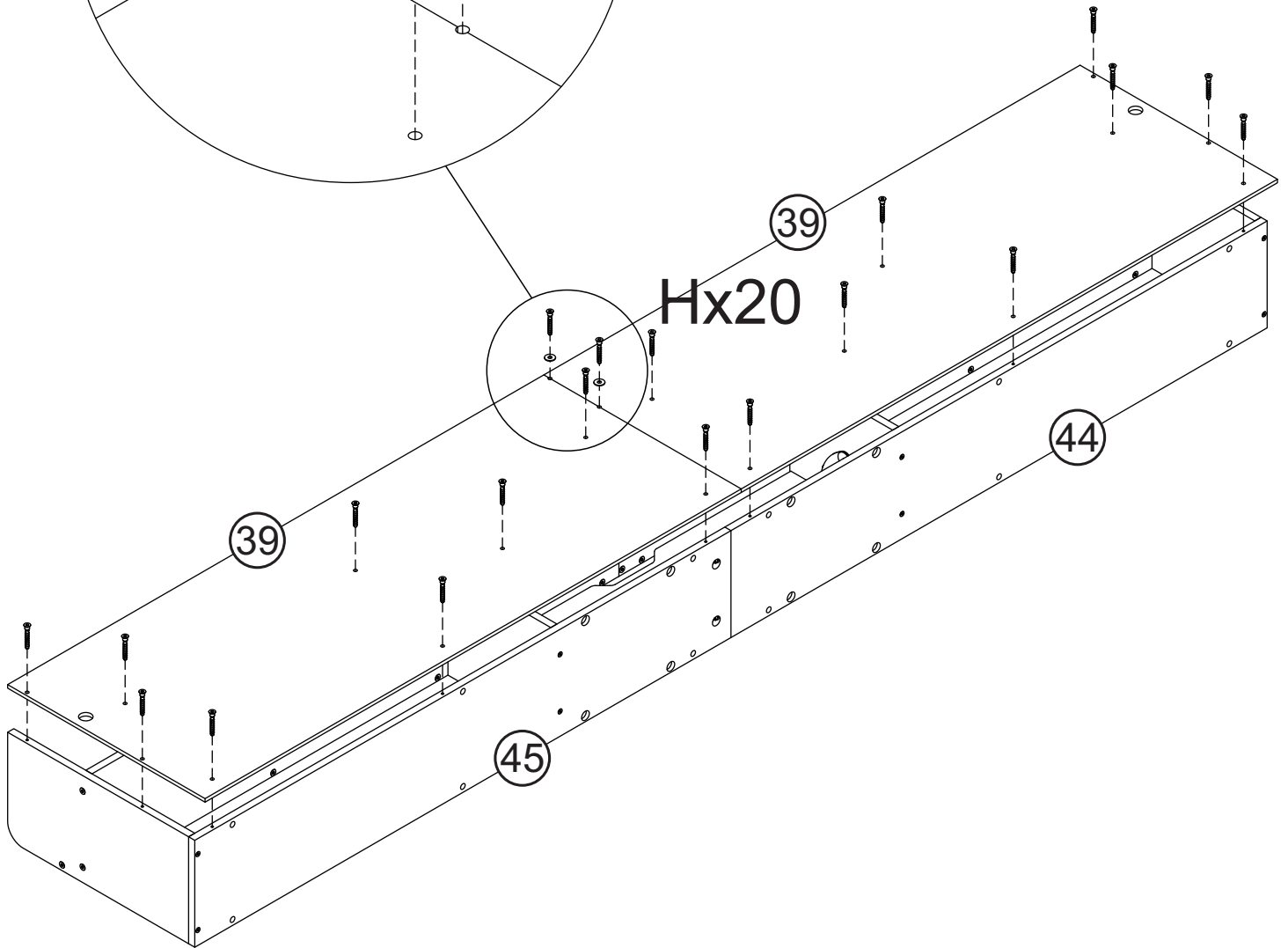
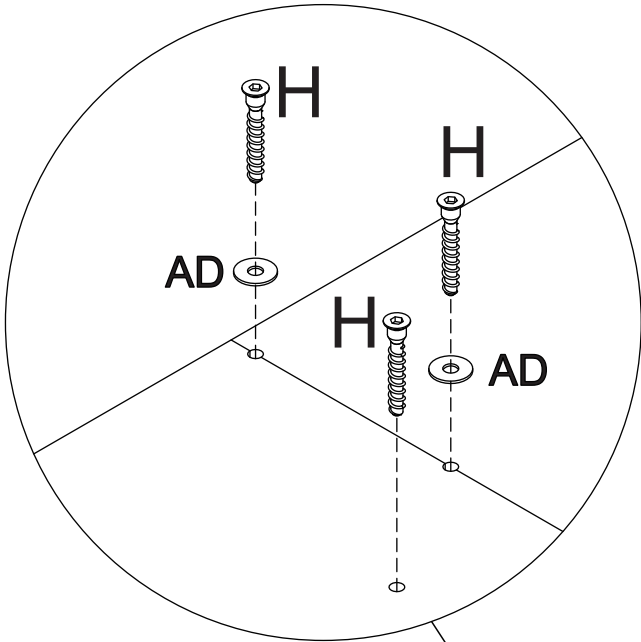
2pcs

H

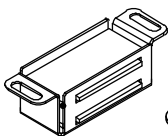




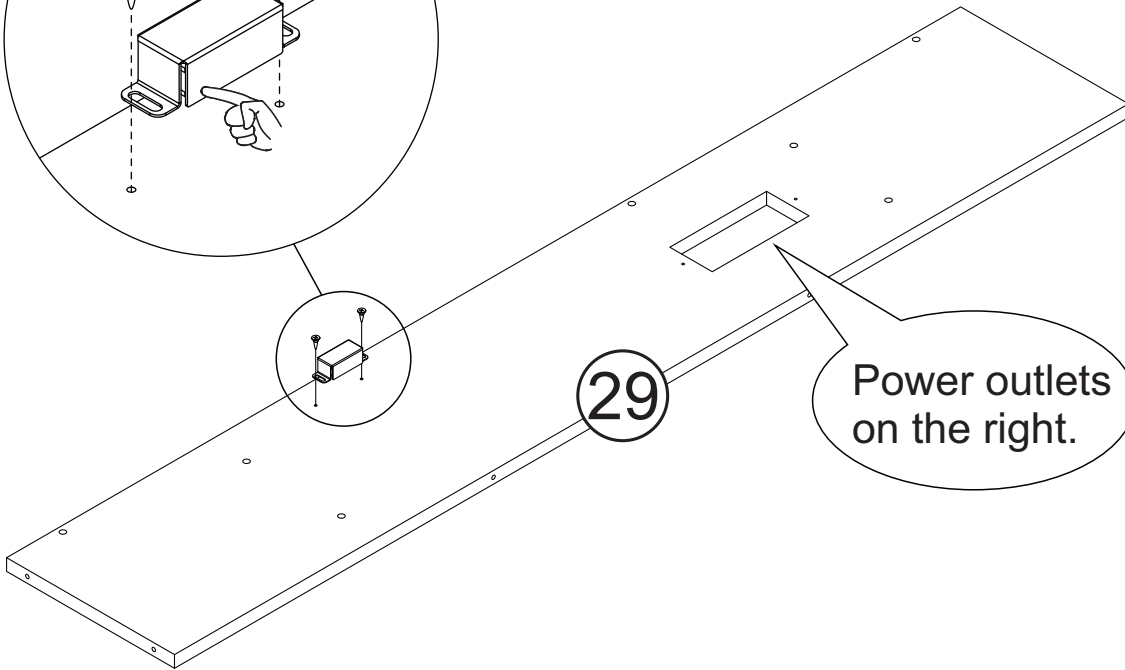
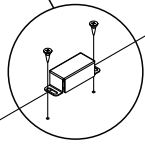
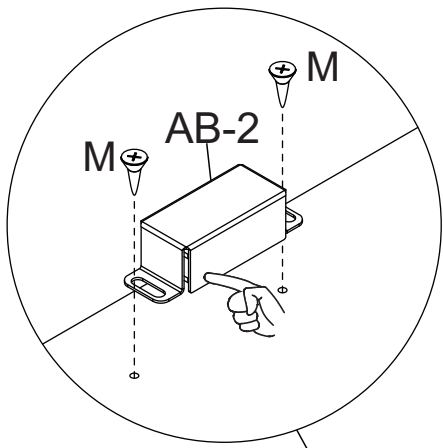
M5x35

20pcs



Step 30

AB	M
	
AB-2	Ø3.5x10
AB-1	1pcs
	2pcs

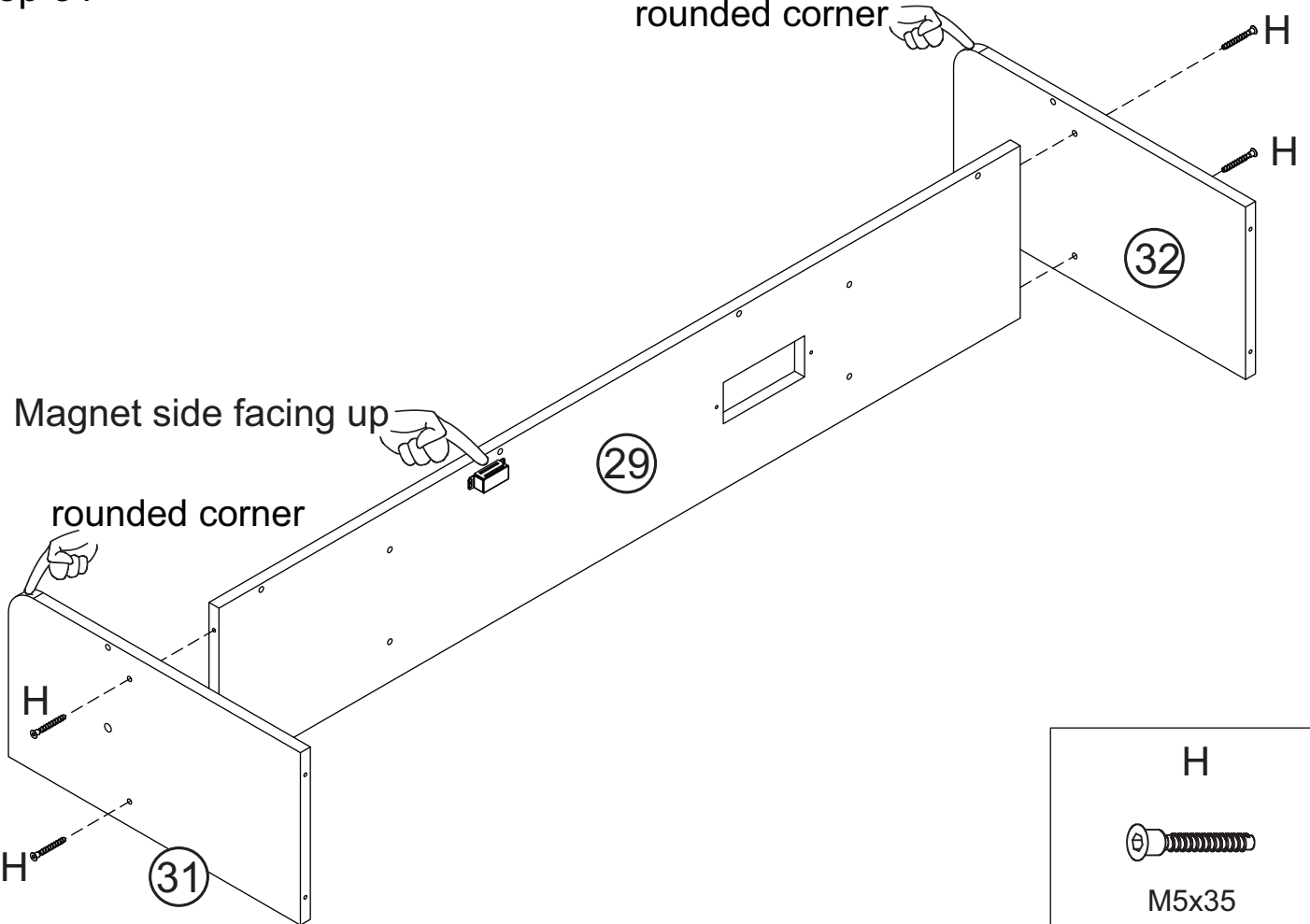



Step 31

rounded corner

Magnet side facing up

rounded corner



H

M5x35
4pcs

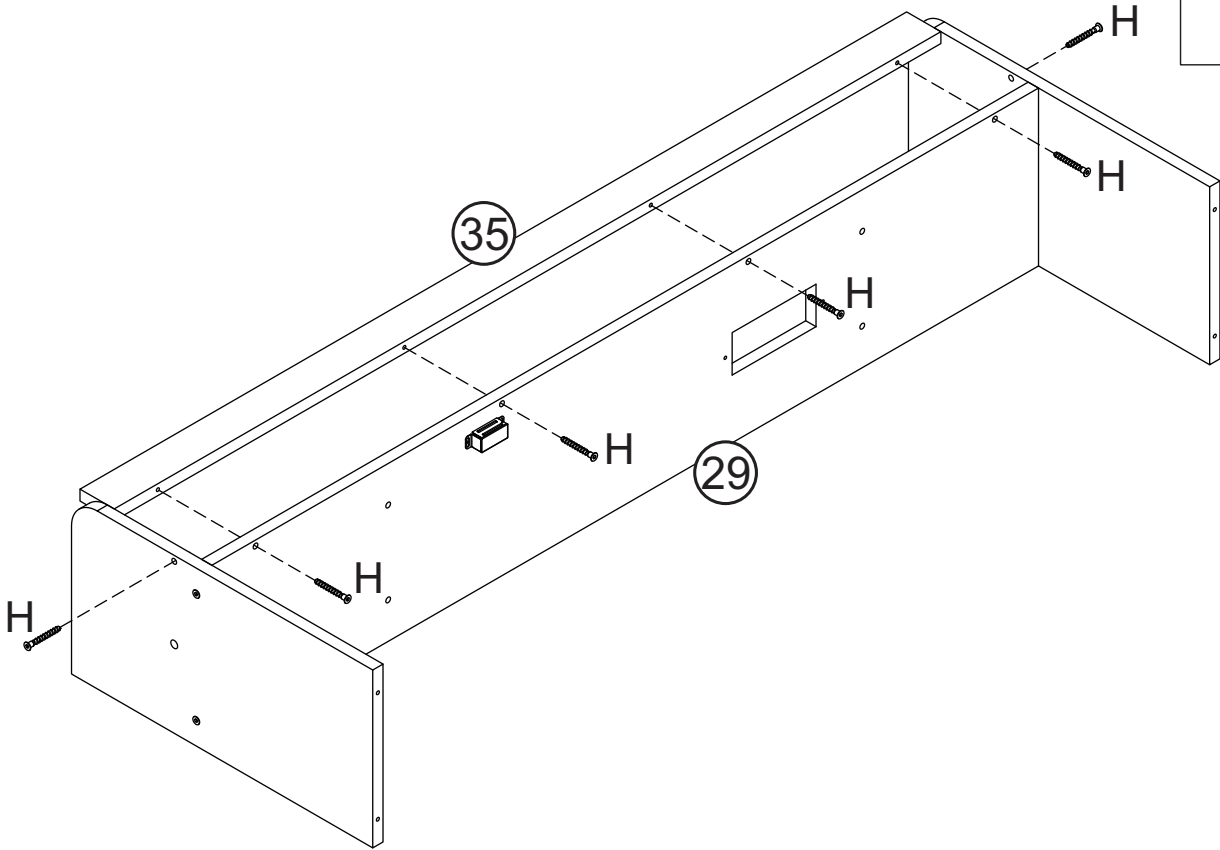
Step 32

H



M5x35

6pcs



Step 33

H

H

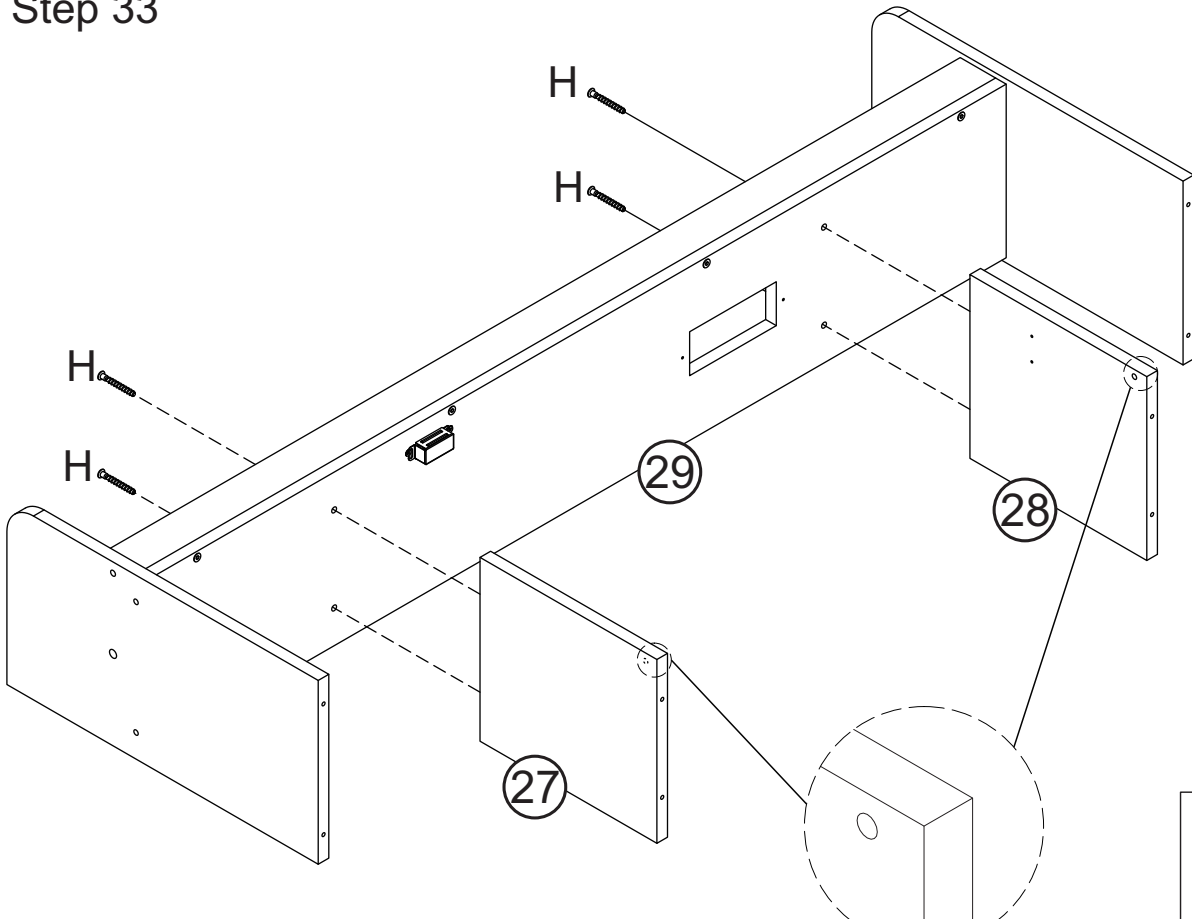
H

H

29

28

27



Note: The hole is in the top-right corner.

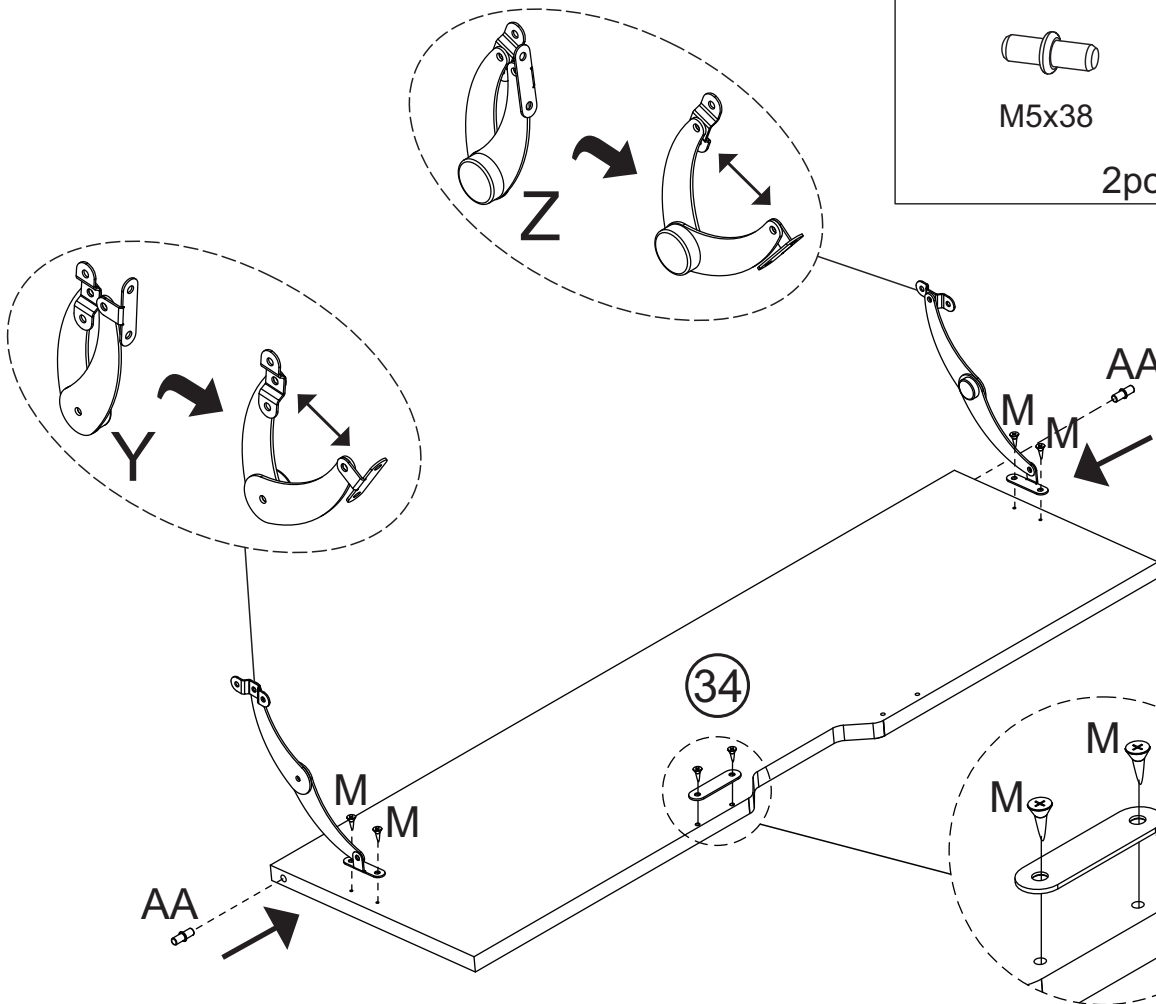
H

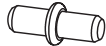



M5x35

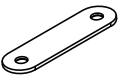
4pcs

Step 34



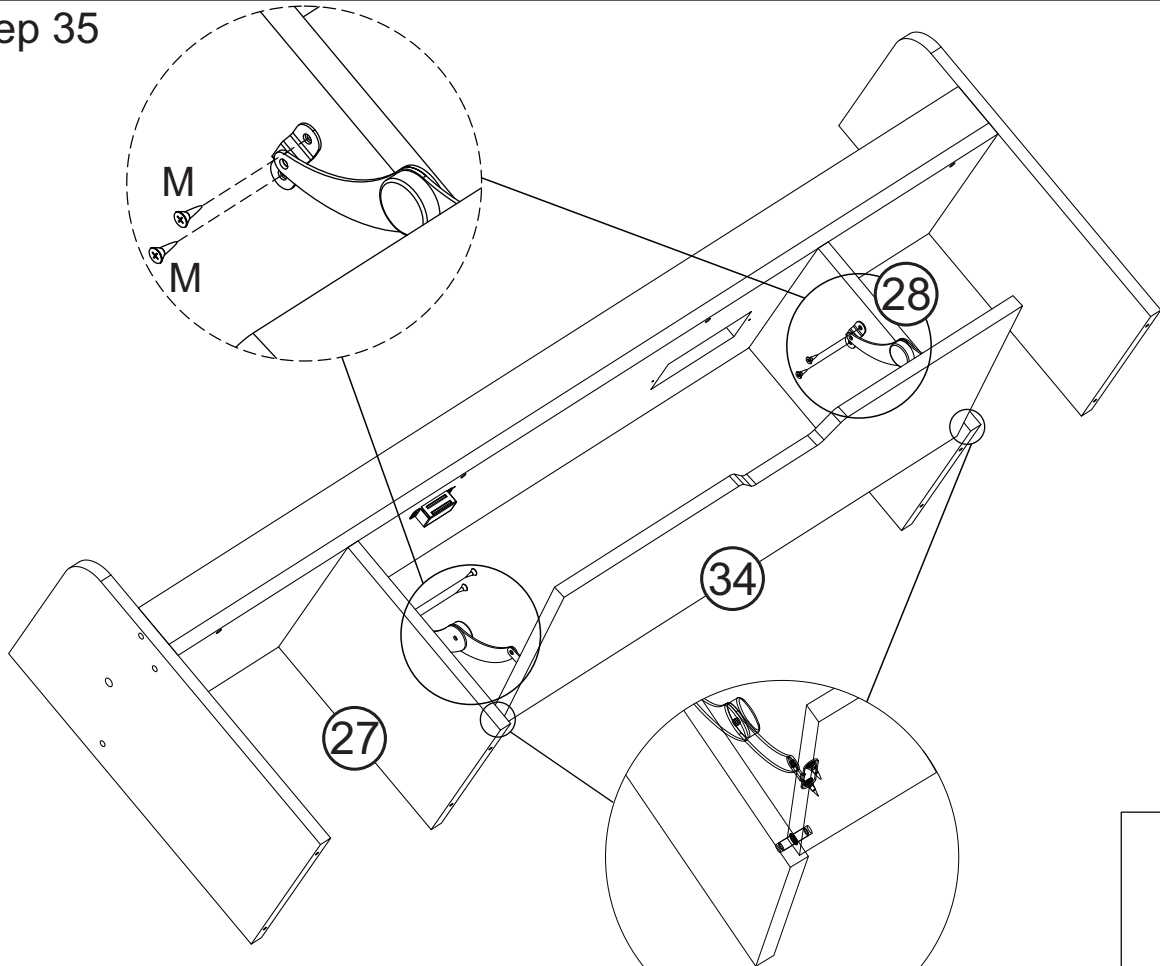
AA	
M5x38	
2pcs	

M	
Ø3.5x10	
6pcs	


AB	
AB-2	1pcs

Install AB-1 on the left side.

Step 35

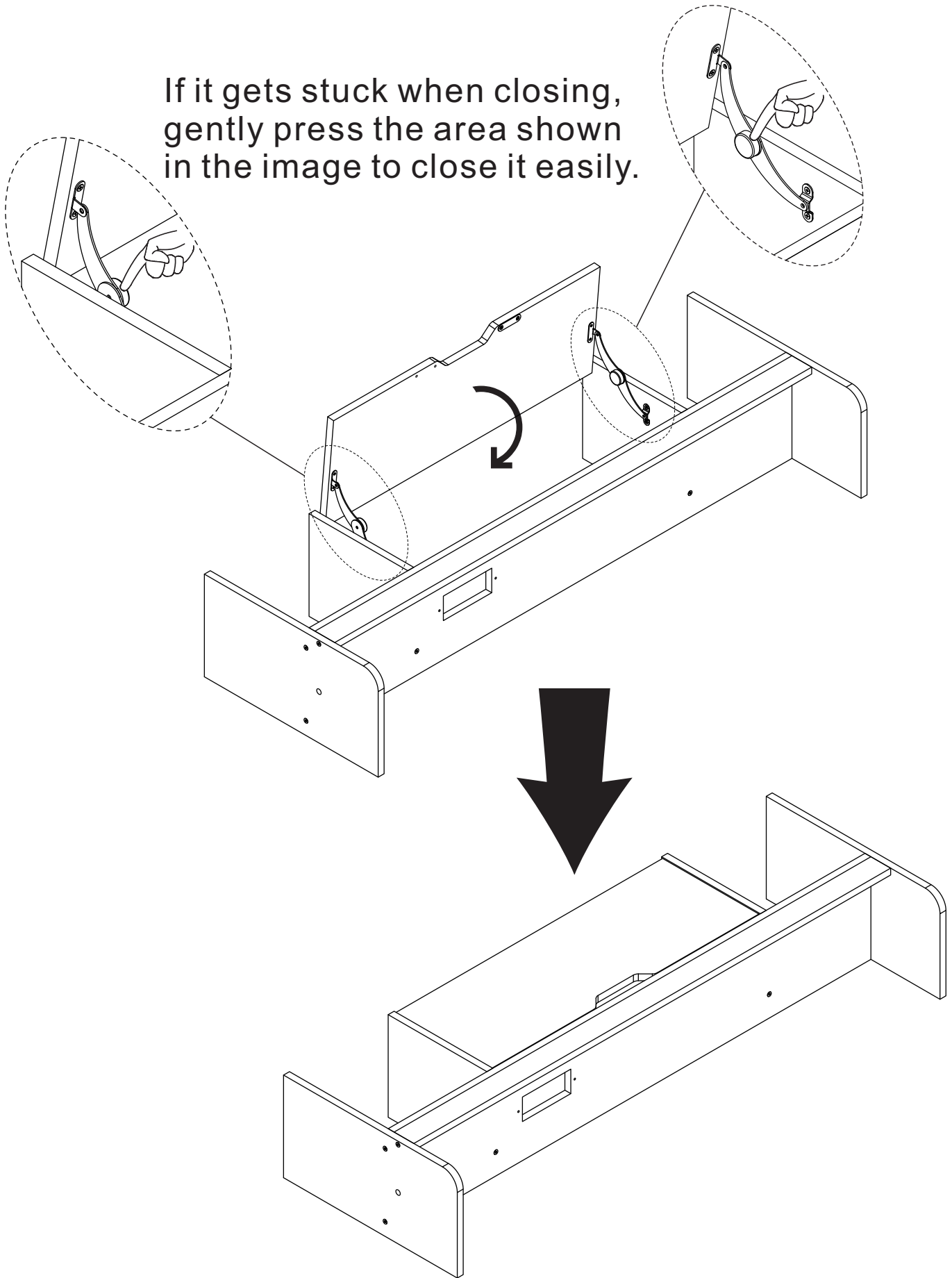


Insert part AA into the holes on both sides: first insert one side, then carefully insert the other—this sequence makes installation easier.

M	
Ø3.5x10	
4pcs	

Step 36

If it gets stuck when closing, gently press the area shown in the image to close it easily.



!: Please do not operate violently.

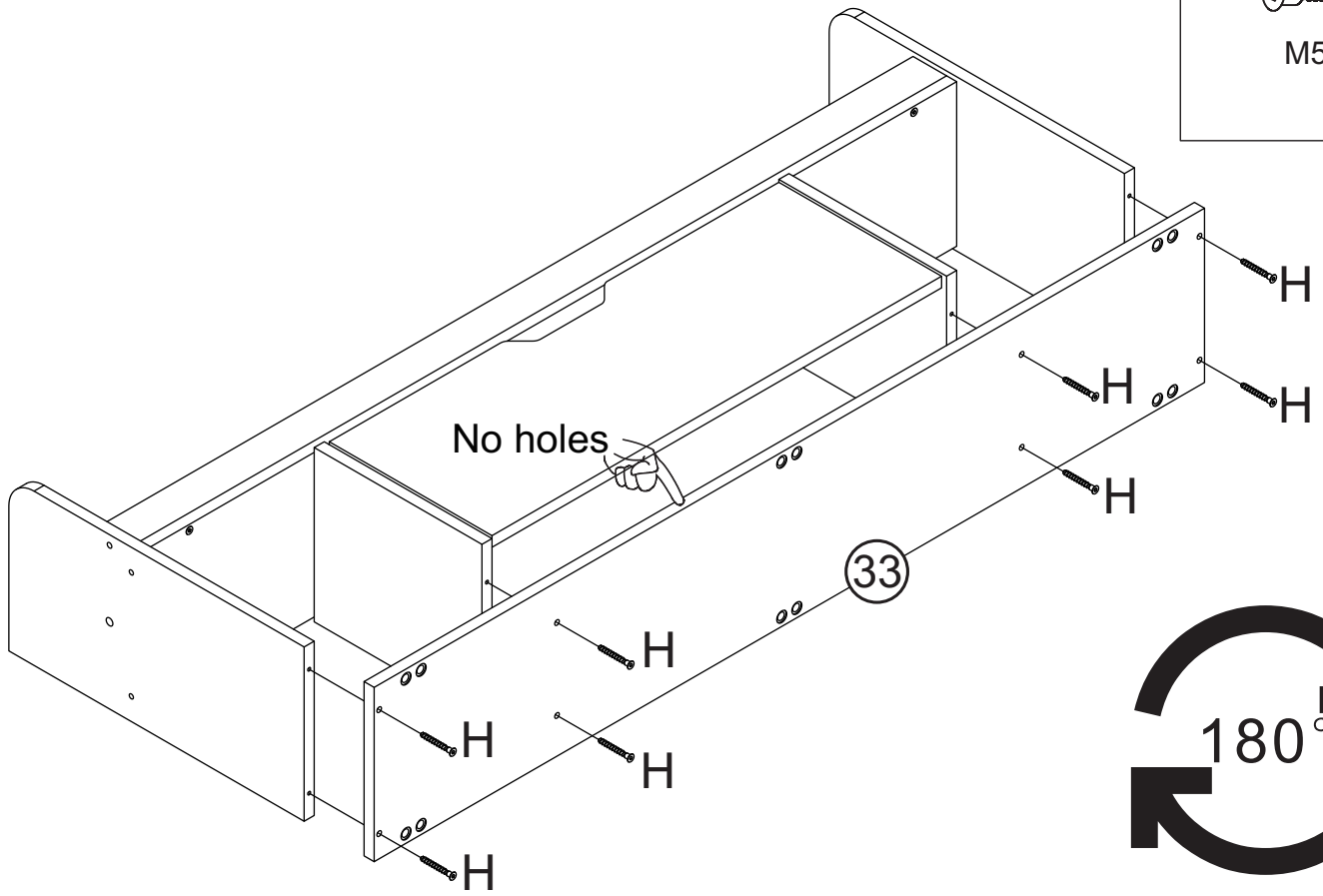
Step 37

H



M5x35

8pcs



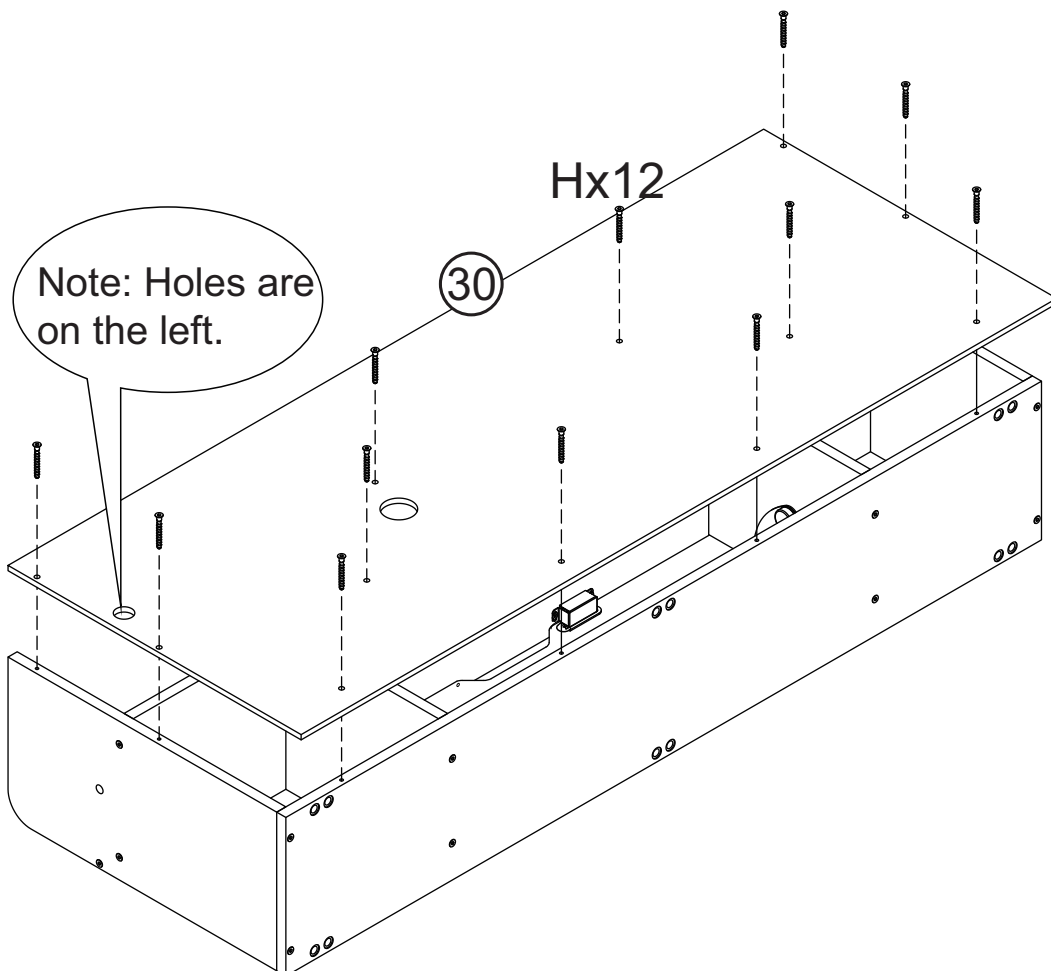
Step 38

H



M5x35

12pcs



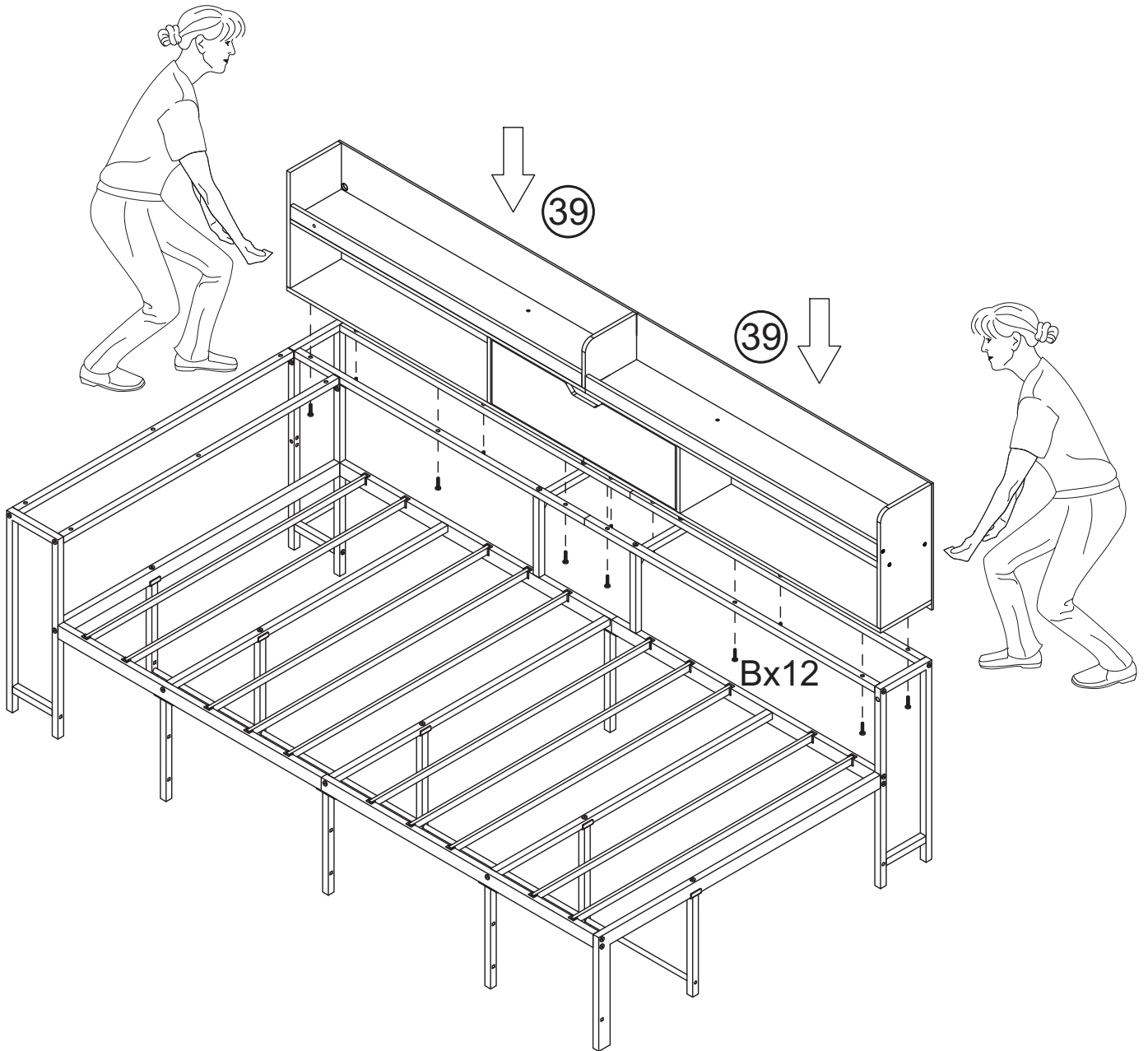
Step 39

B



M6x28

12pcs



Tip: If the screws are hard to align with the holes, slightly loosen the two outermost screws on the left and right, start by securing the middle ones, and do not fully tighten any screw until all of them are aligned; tighten completely only after everything is in place.

Step 40

B

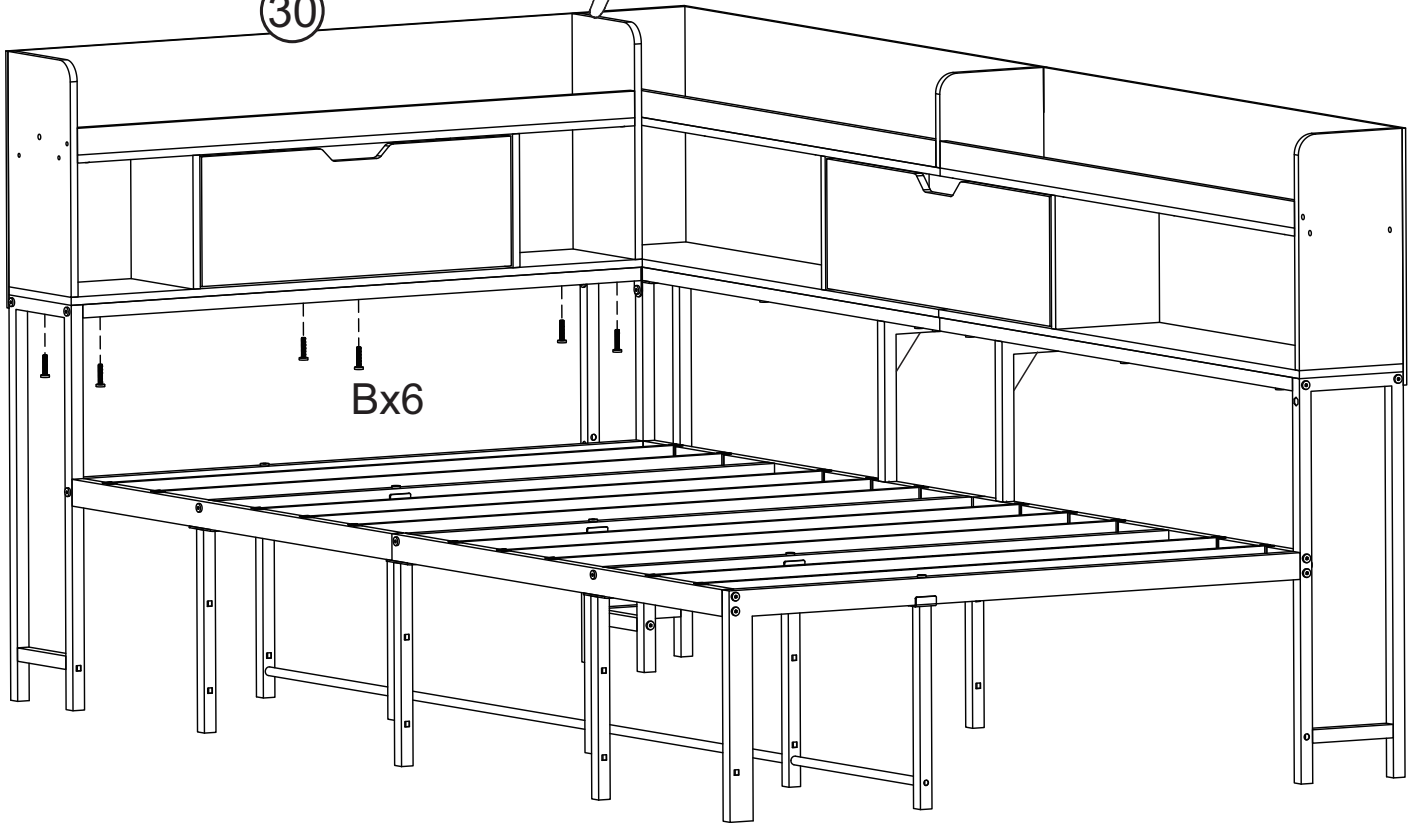


M6x28

6pcs

After alignment, secure the screws in the corresponding positions.

30



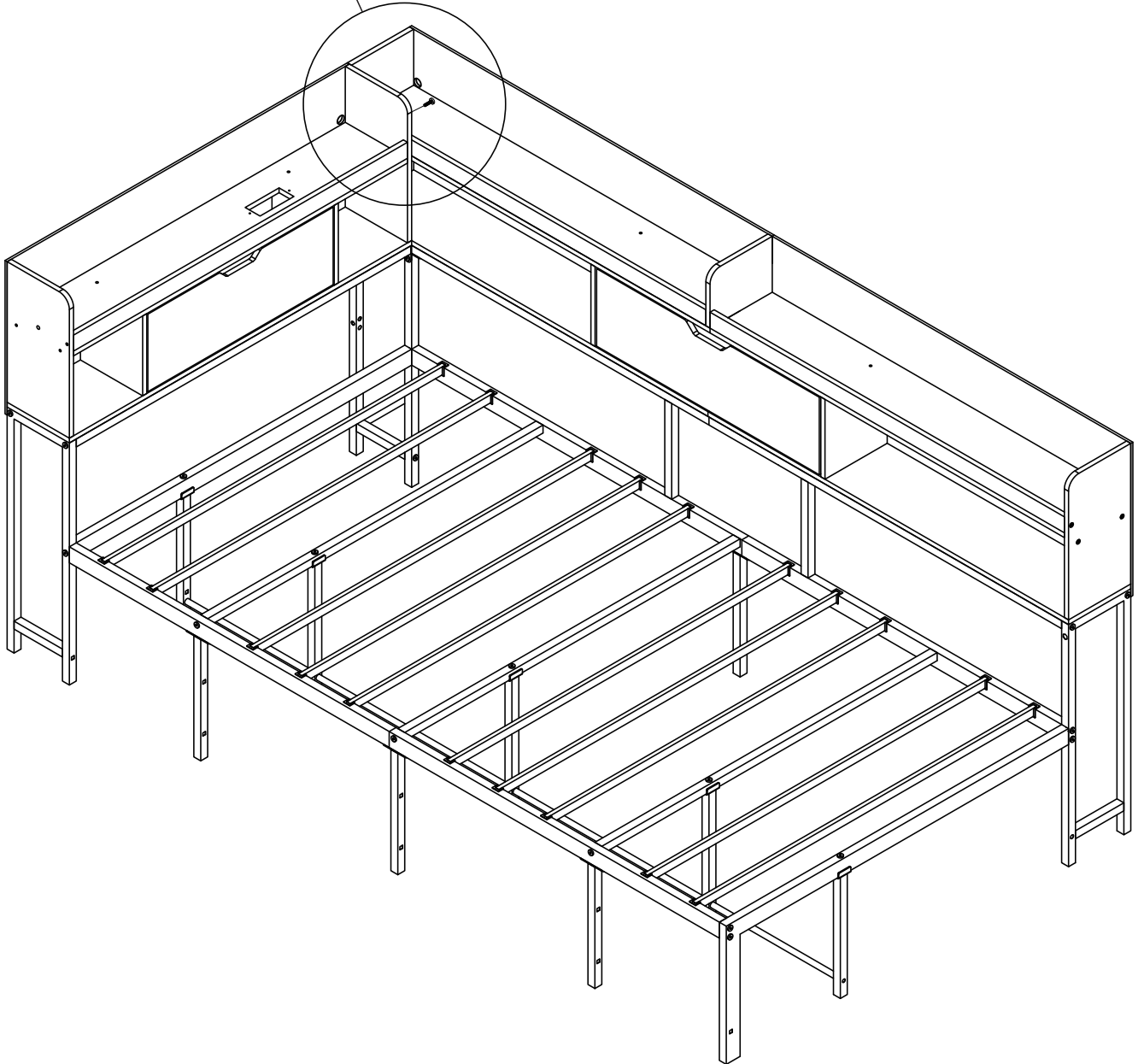
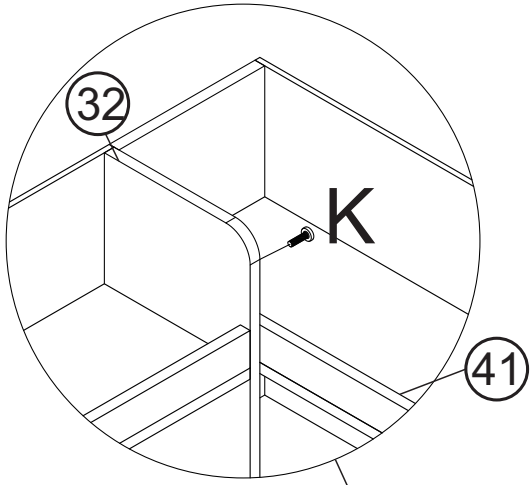
Step 41

K

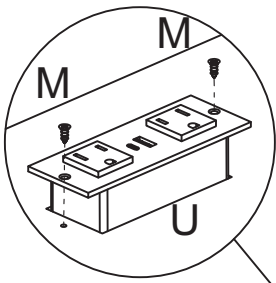


M6x20

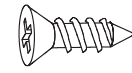
1pc



Step 42



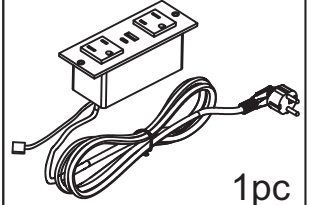
M



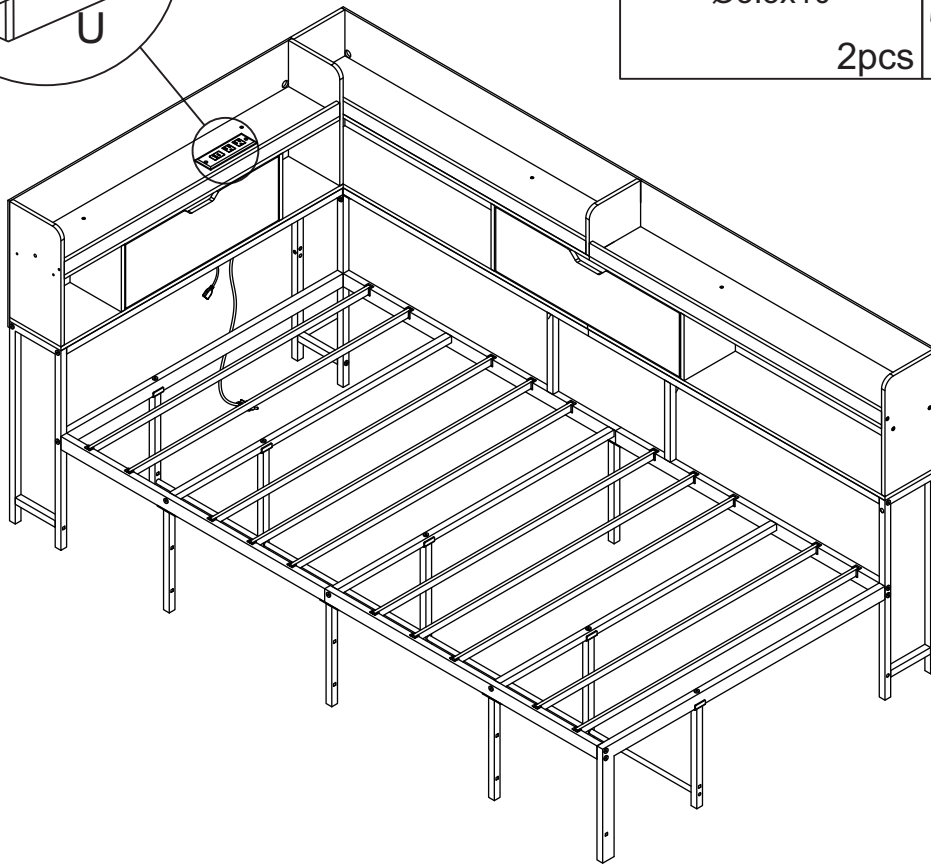
Ø3.5x10

2pcs

U



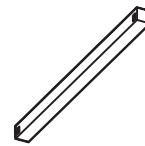
1pc



Step 43

It can snap directly into place.

R

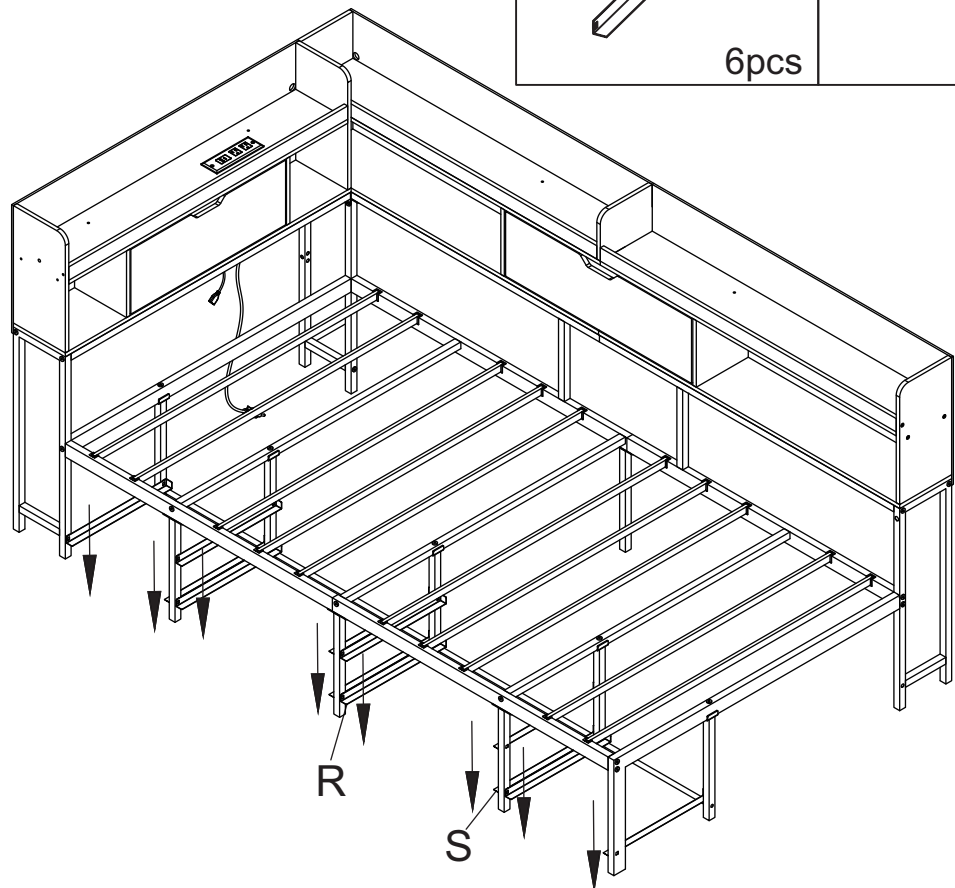
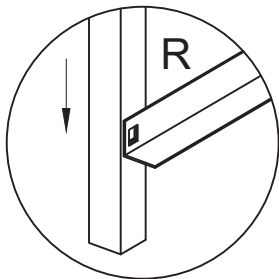
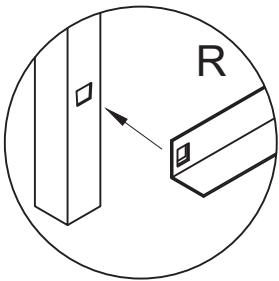
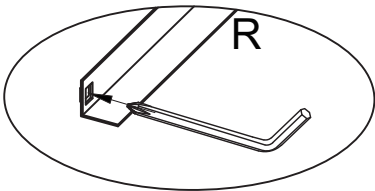


6pcs

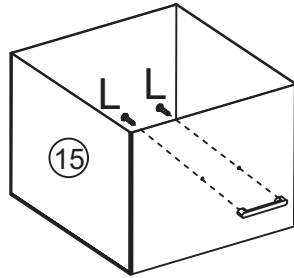
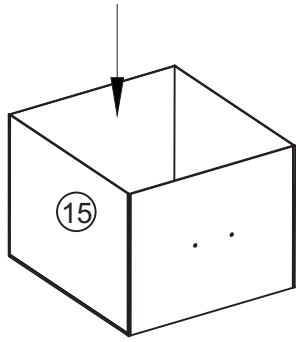
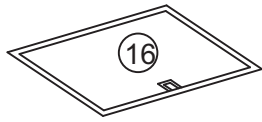
S





6pcs

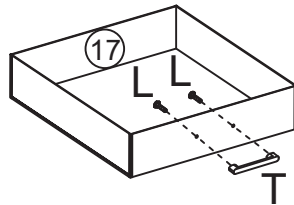
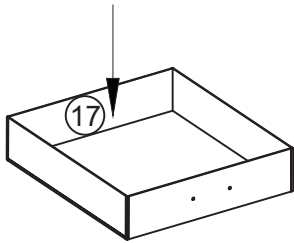
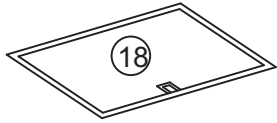


Step 44



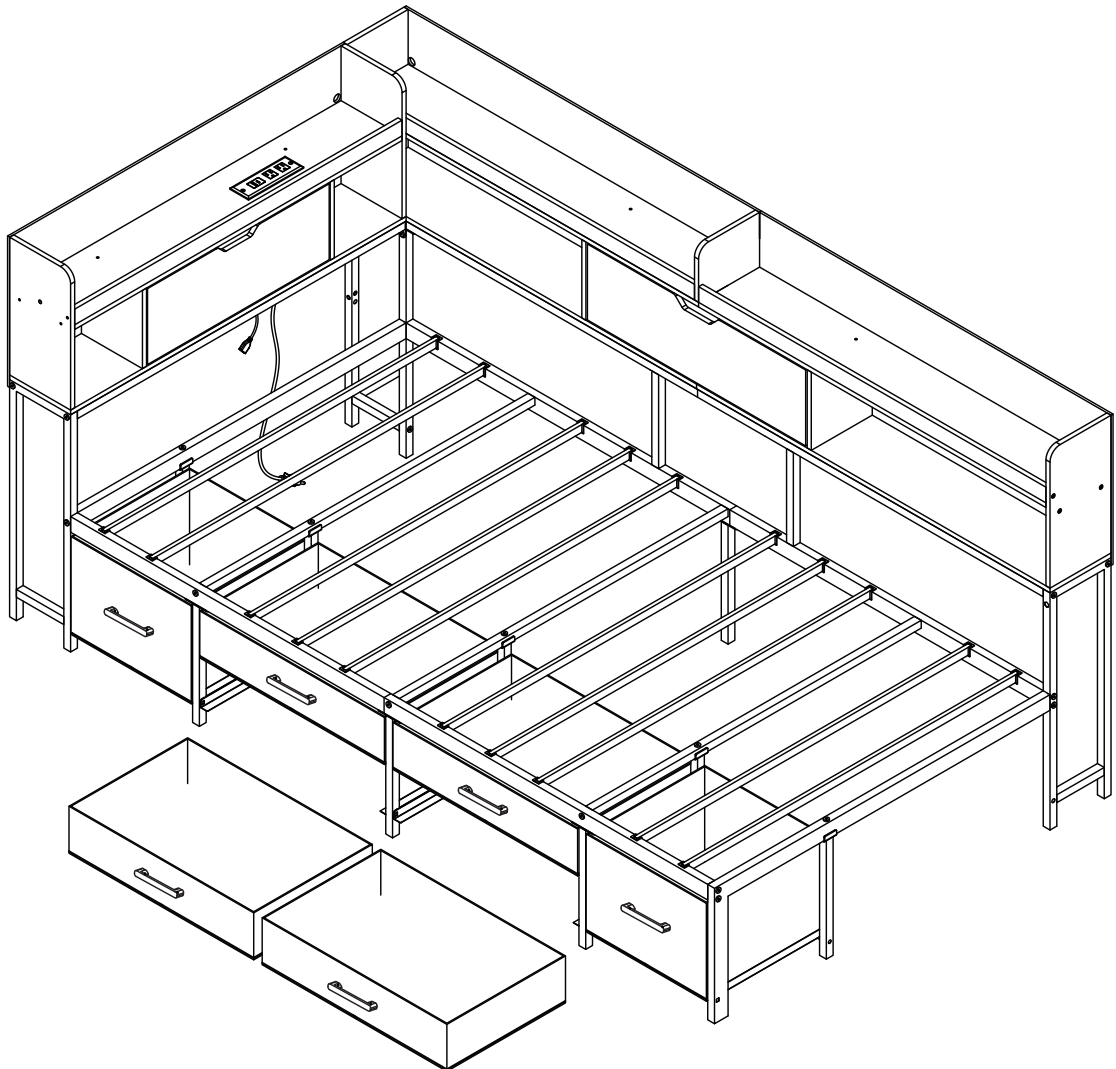
T x2

L  M4x10 12pcs	T  6pcs
---	---



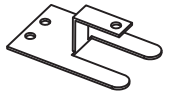
x4

Step 45

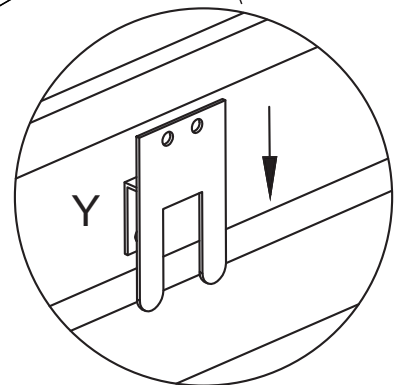
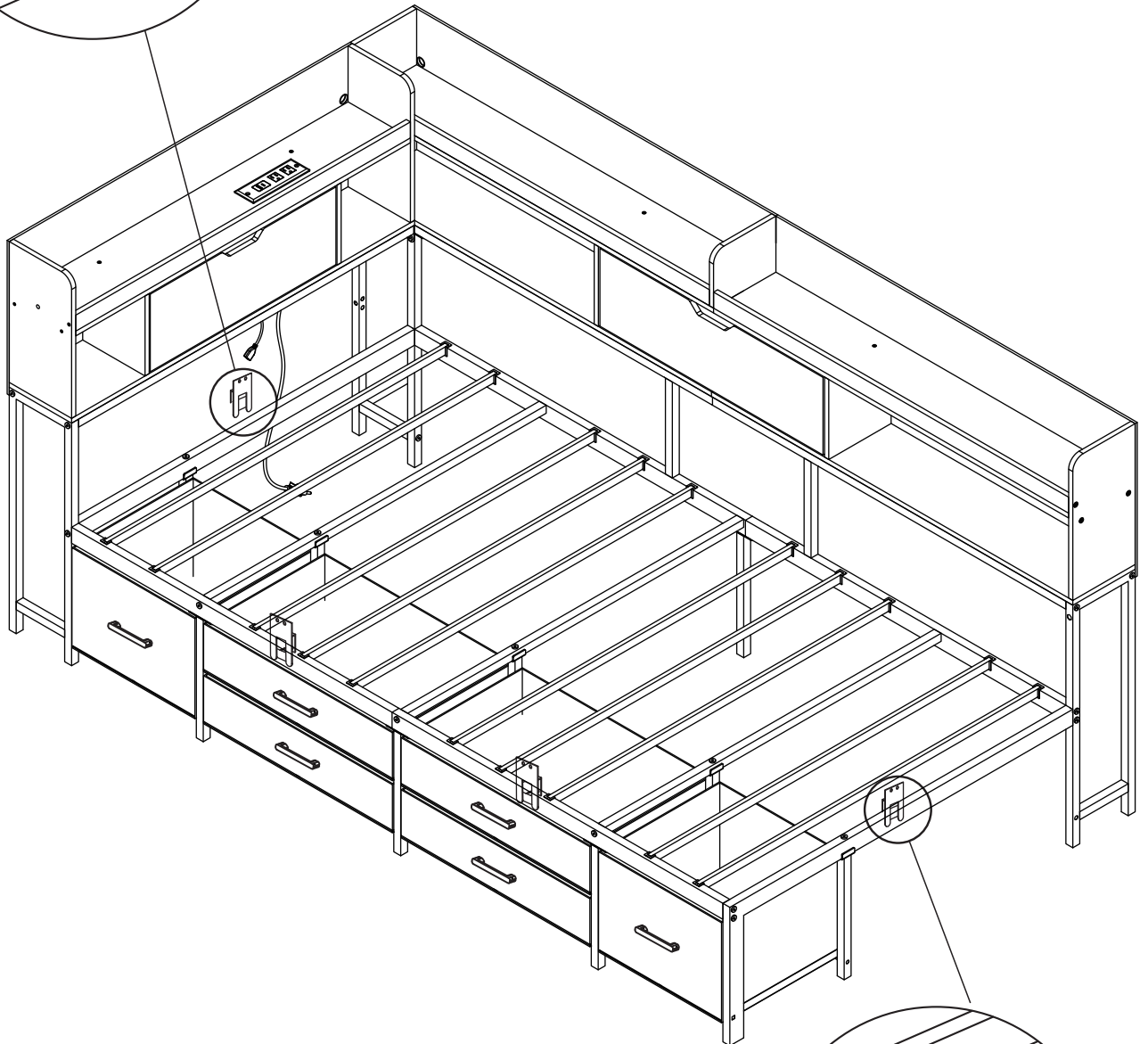
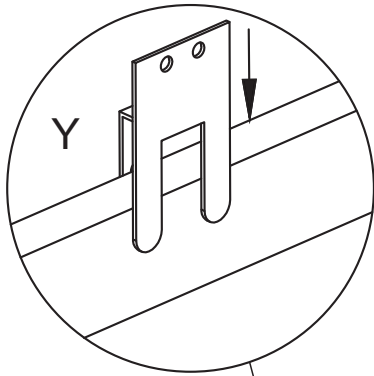


Step 46

Y



4pcs

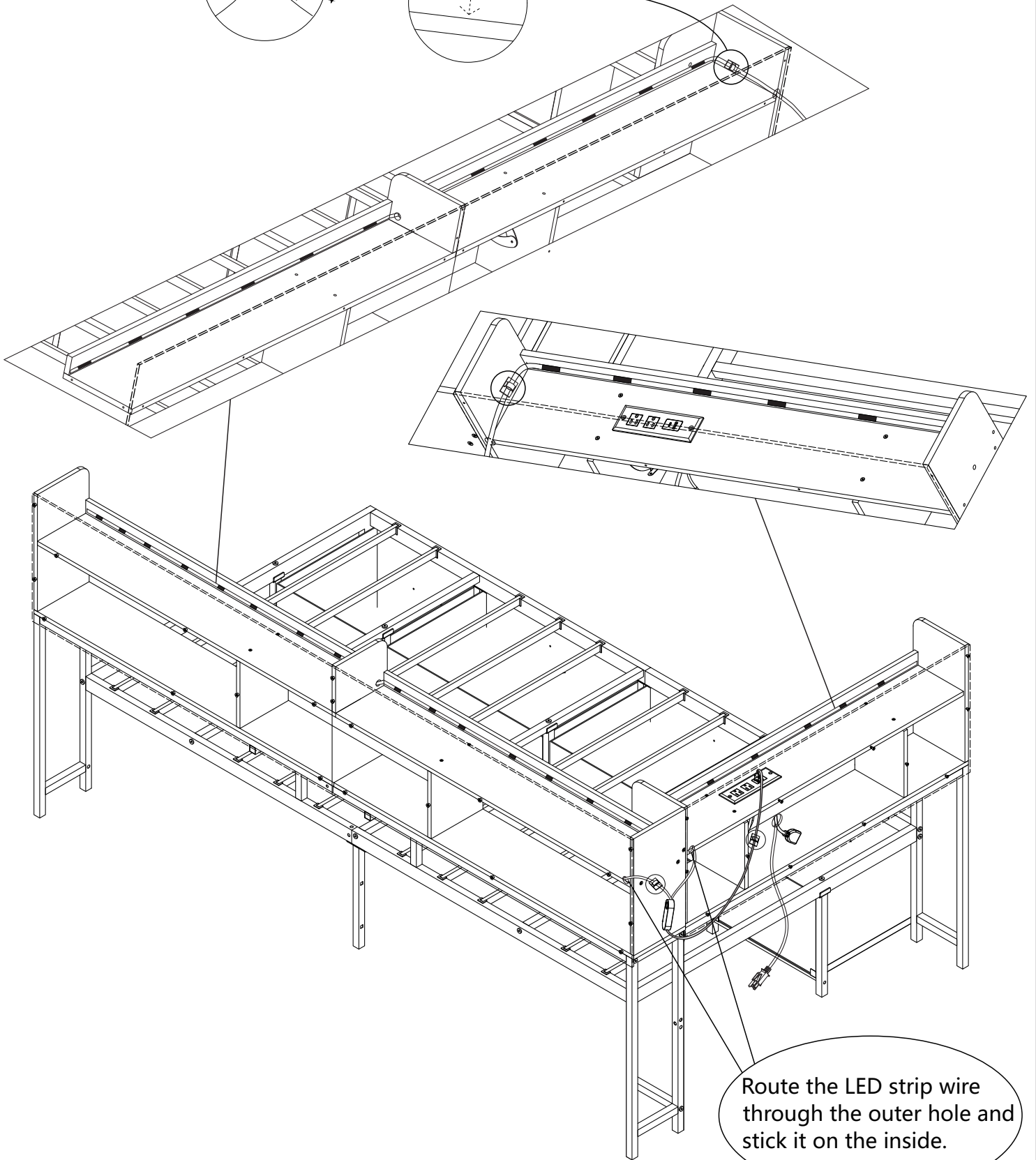
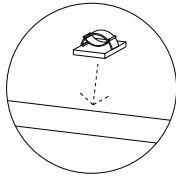
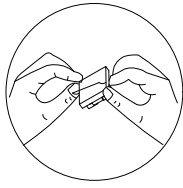
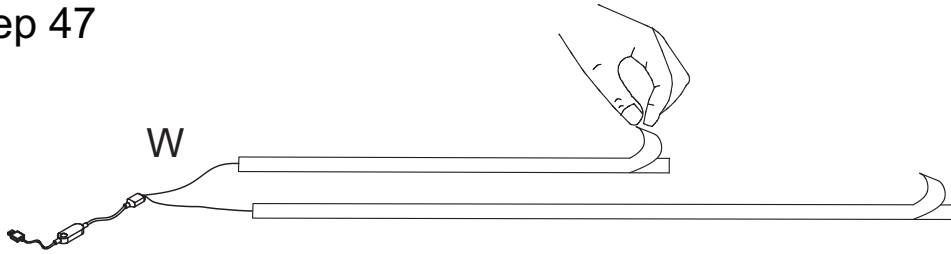


Step 47

W



1pc



Route the LED strip wire through the outer hole and stick it on the inside.

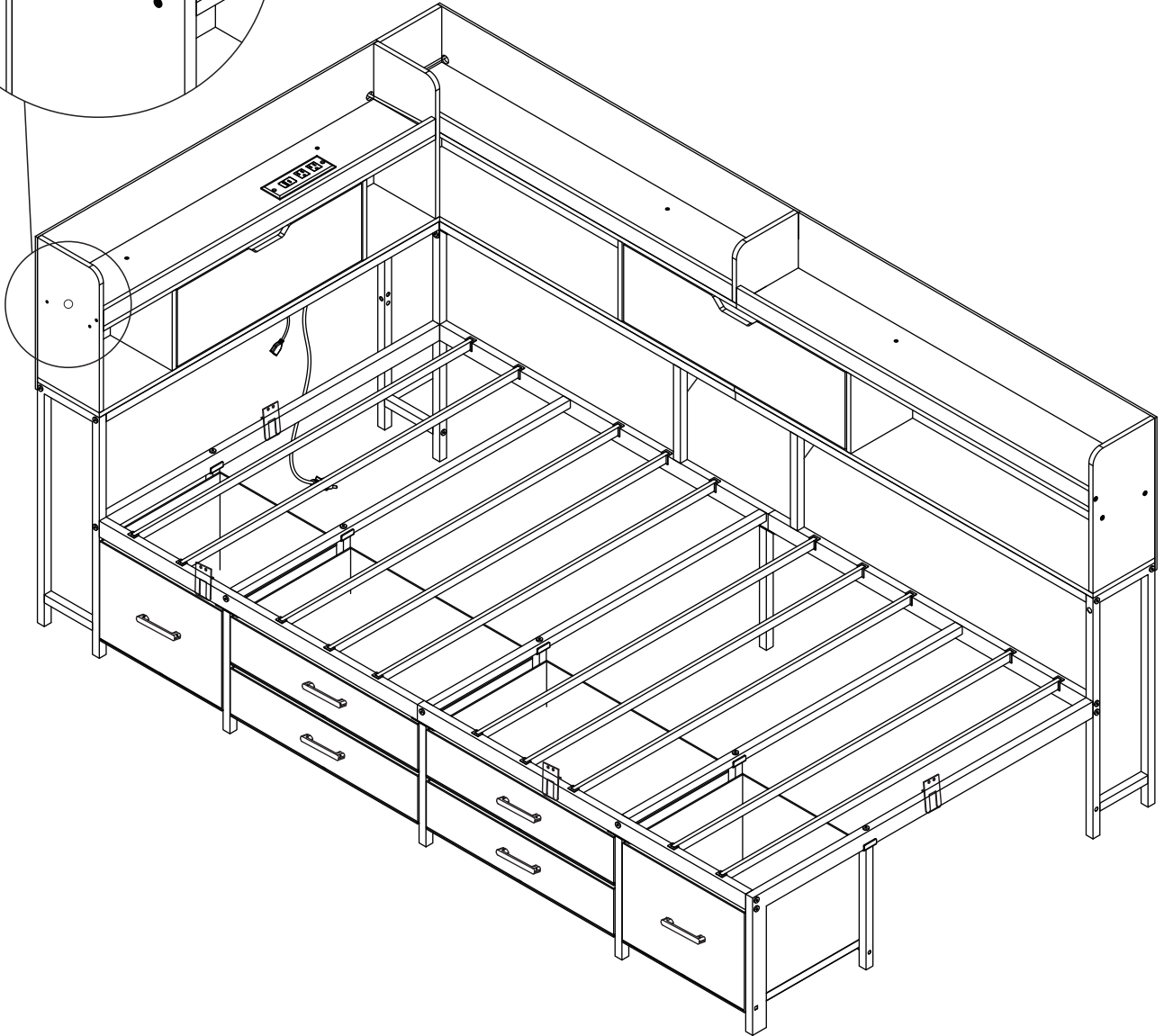
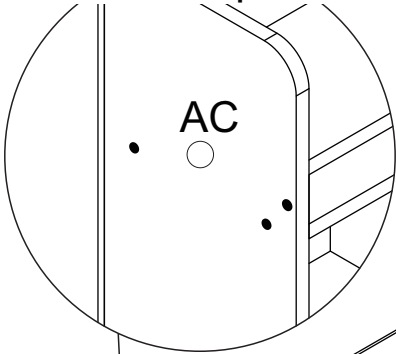
Step 48

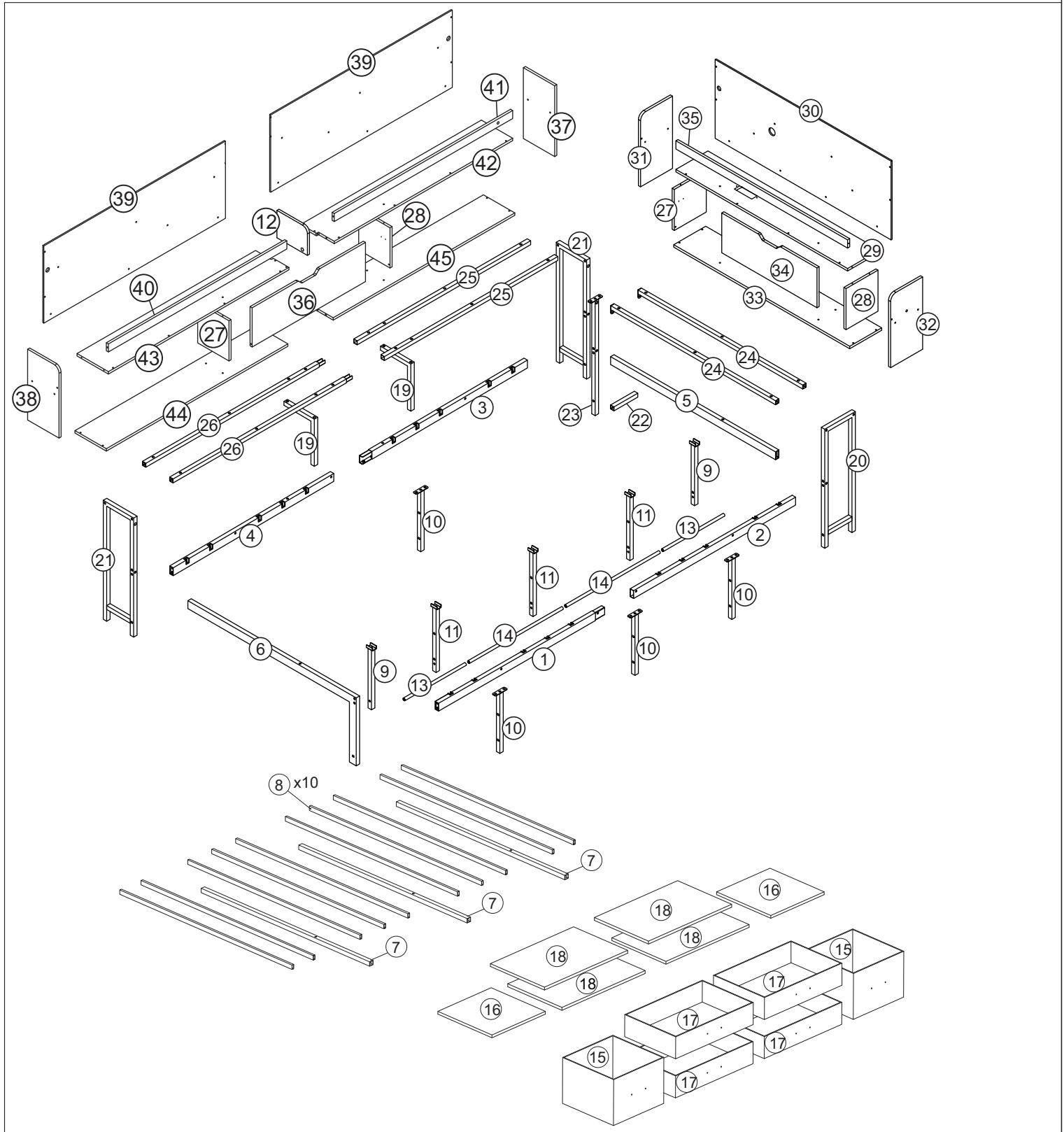
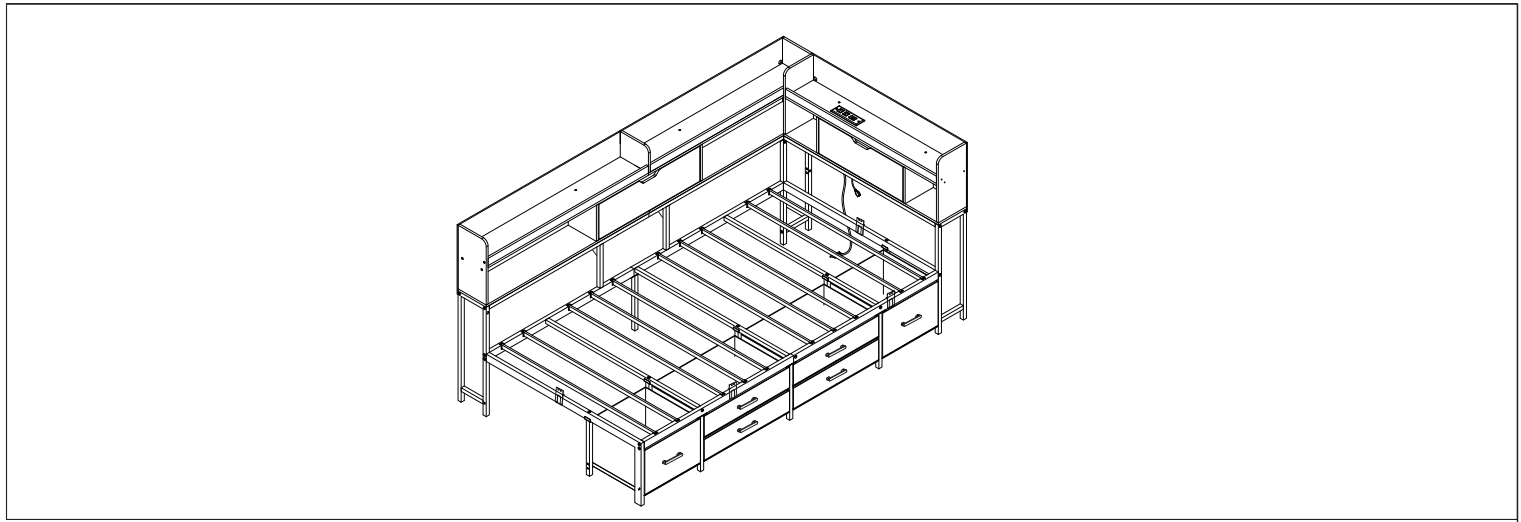
AC



1pcs

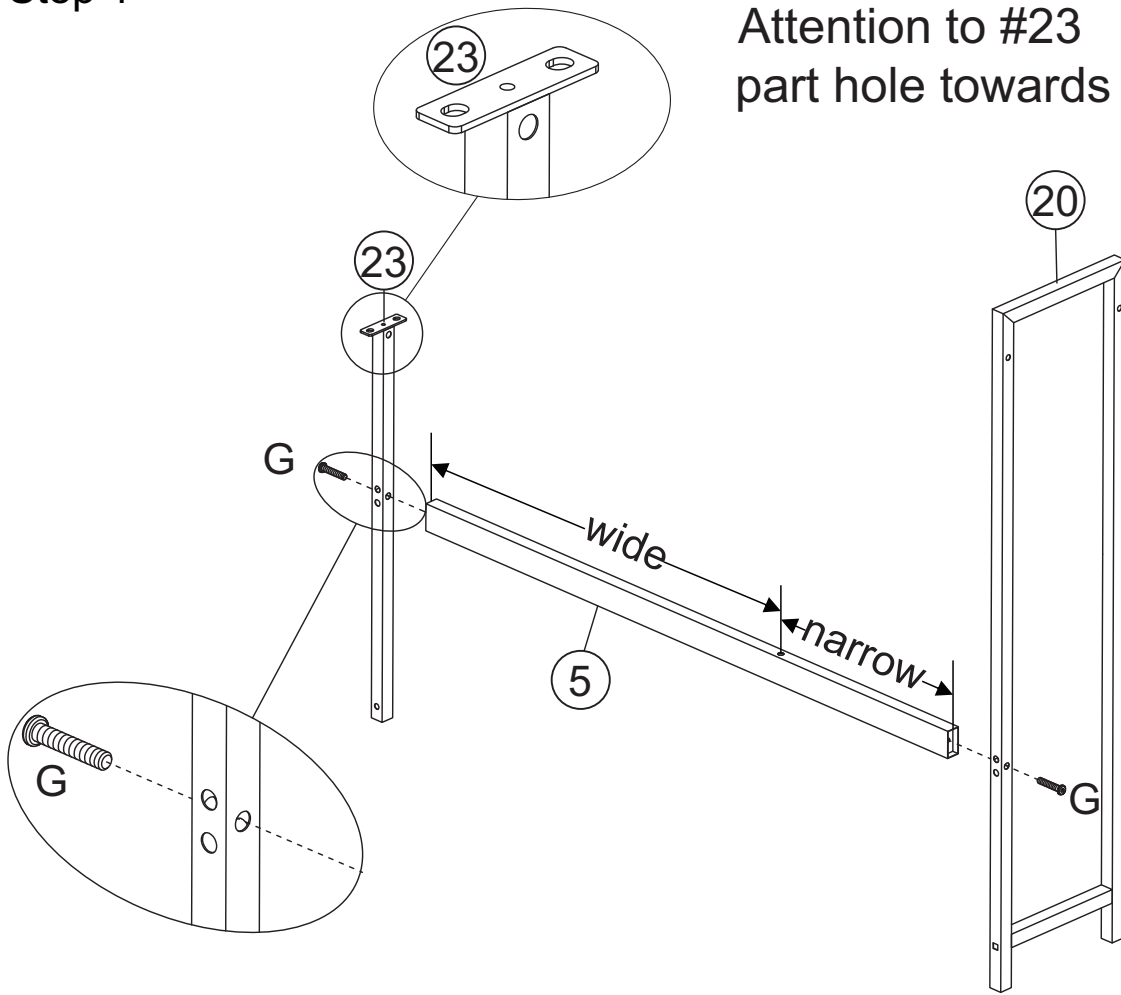
Stick the cap stickers (AC) on the holes.



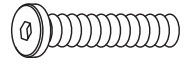


Step 1

Attention to #23
part hole towards



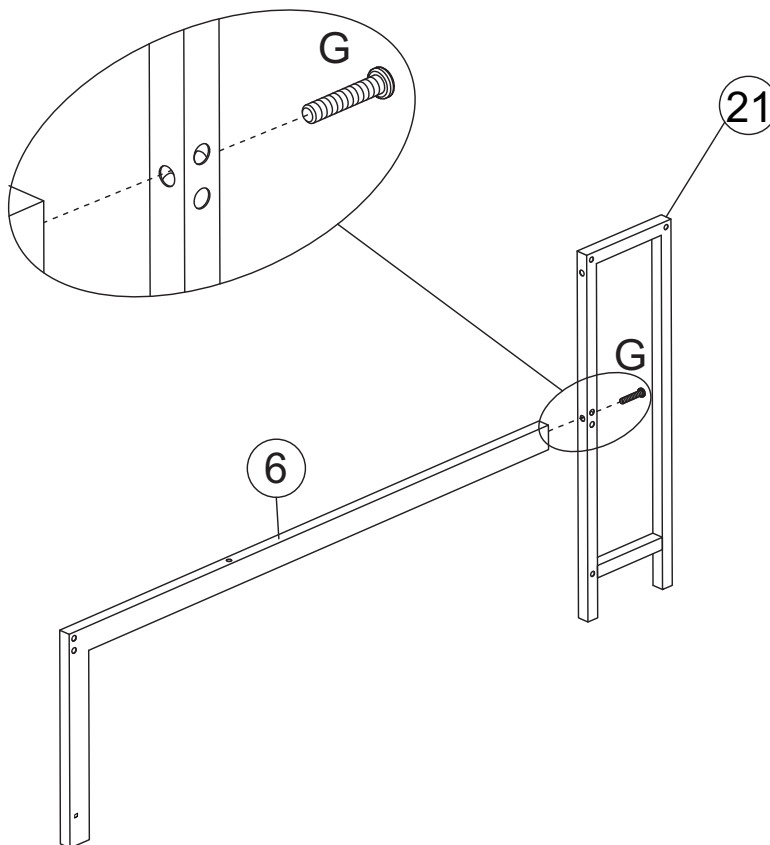
G



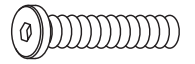
M8x40

2pcs

Step 2



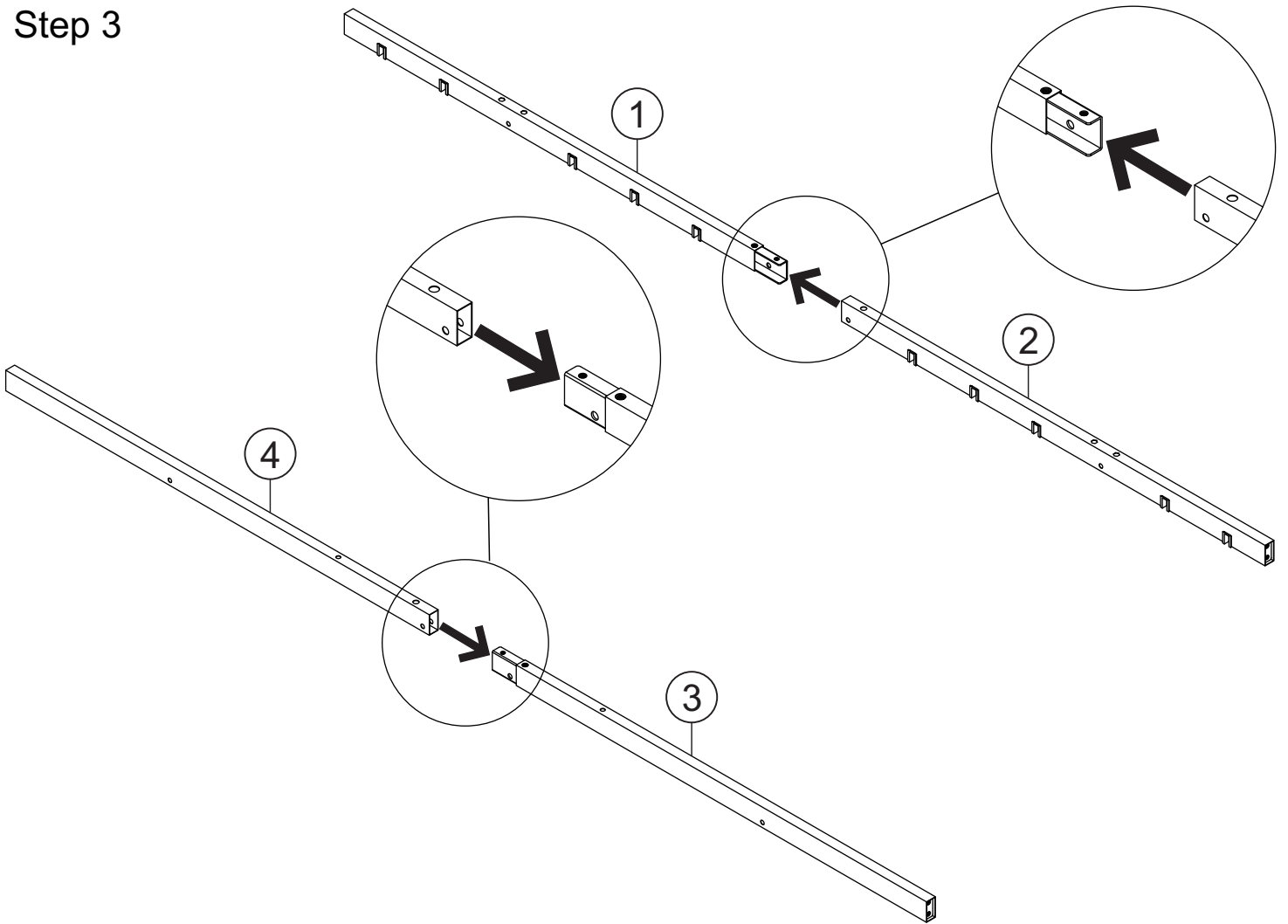
G



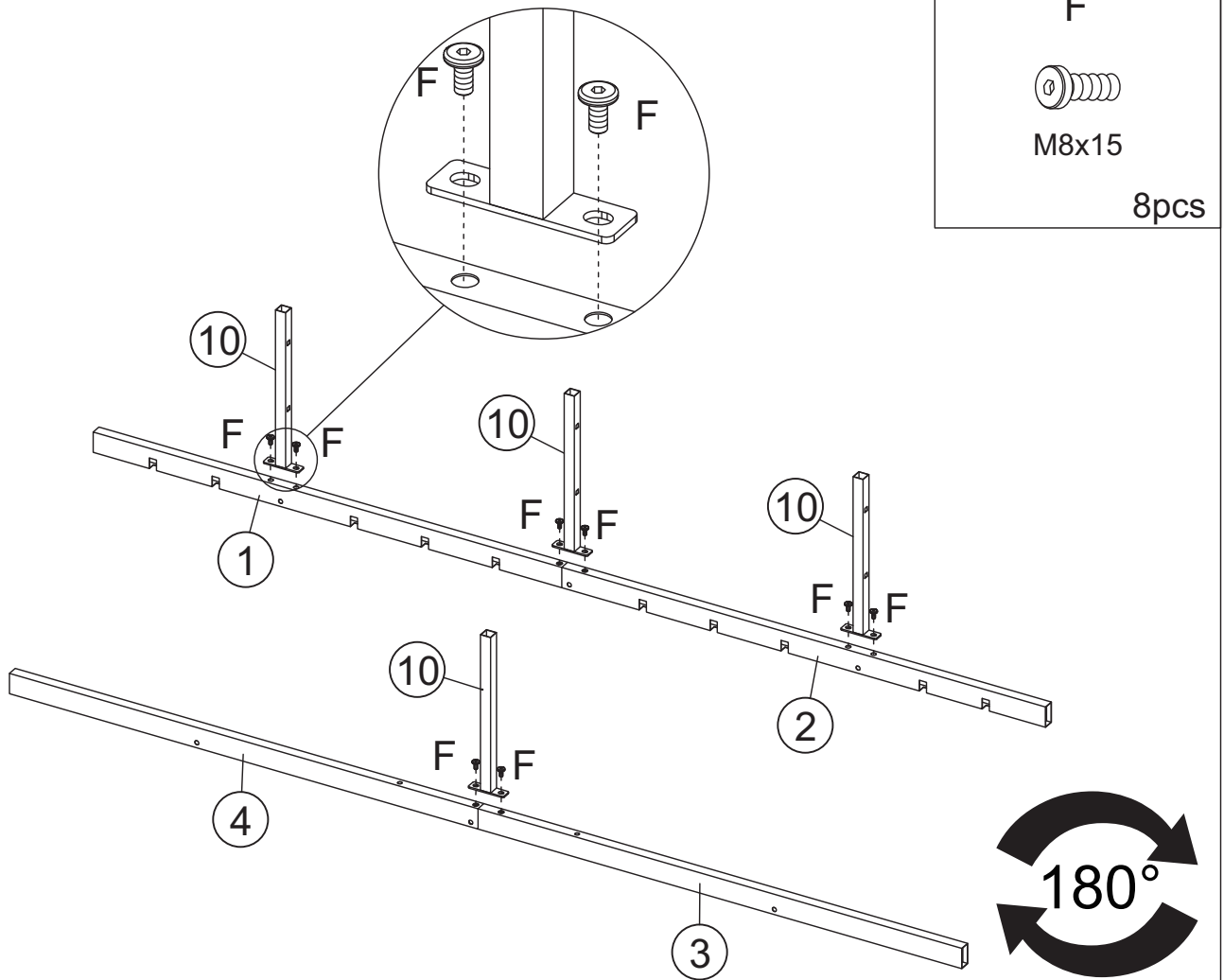
M8x40

1pc

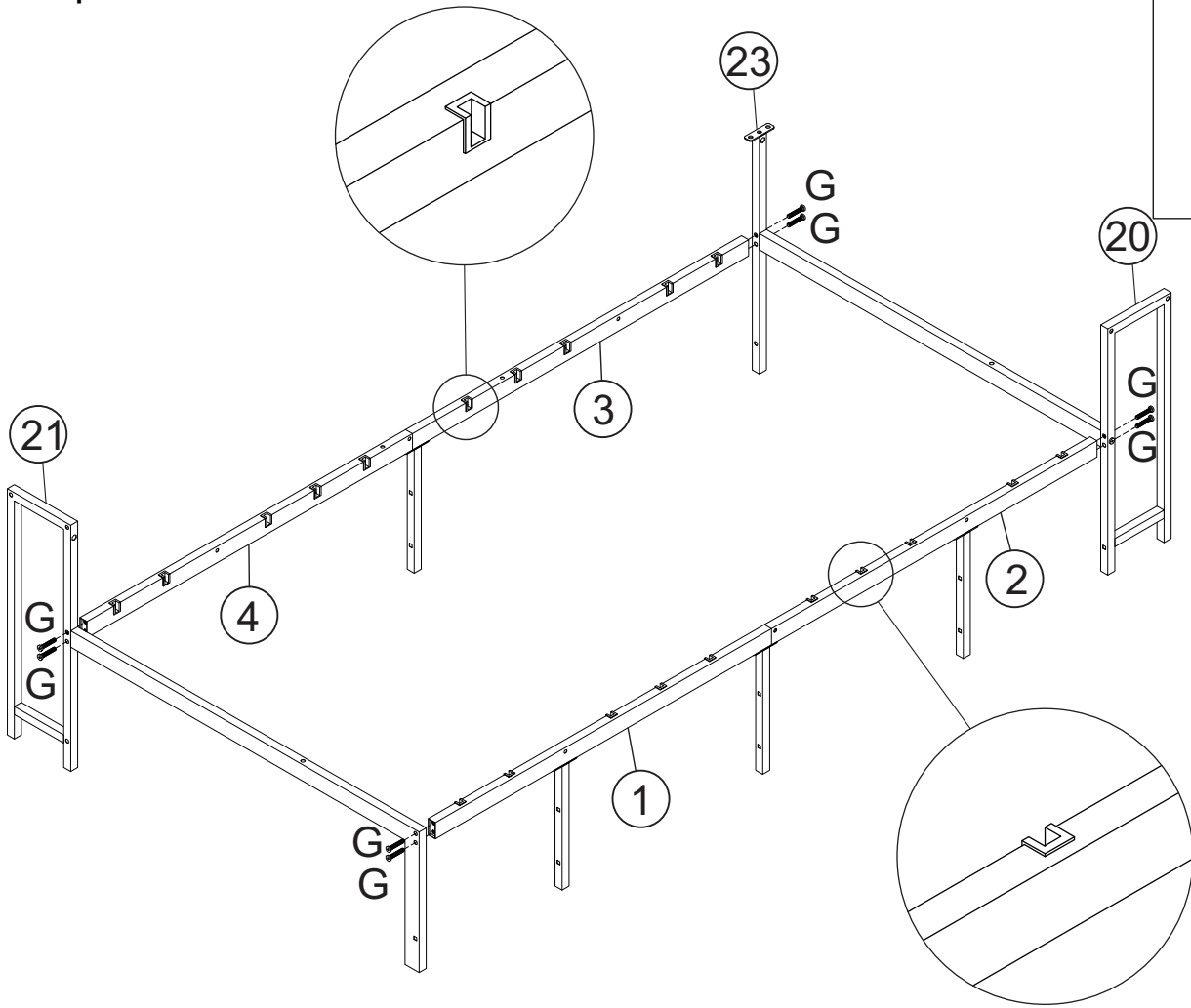
Step 3



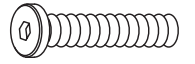
Step 4



Step 5



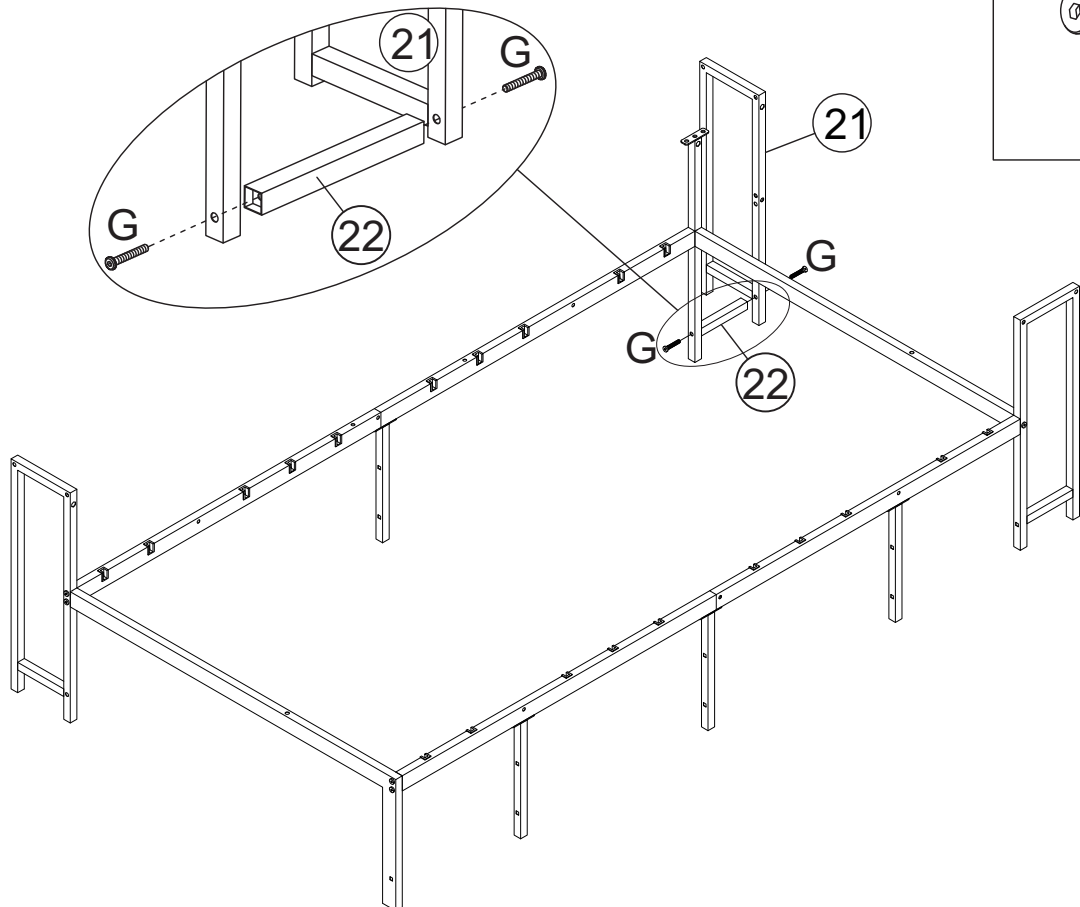
G



M8x40

8pcs

Step 6



G




M8x40

2pcs

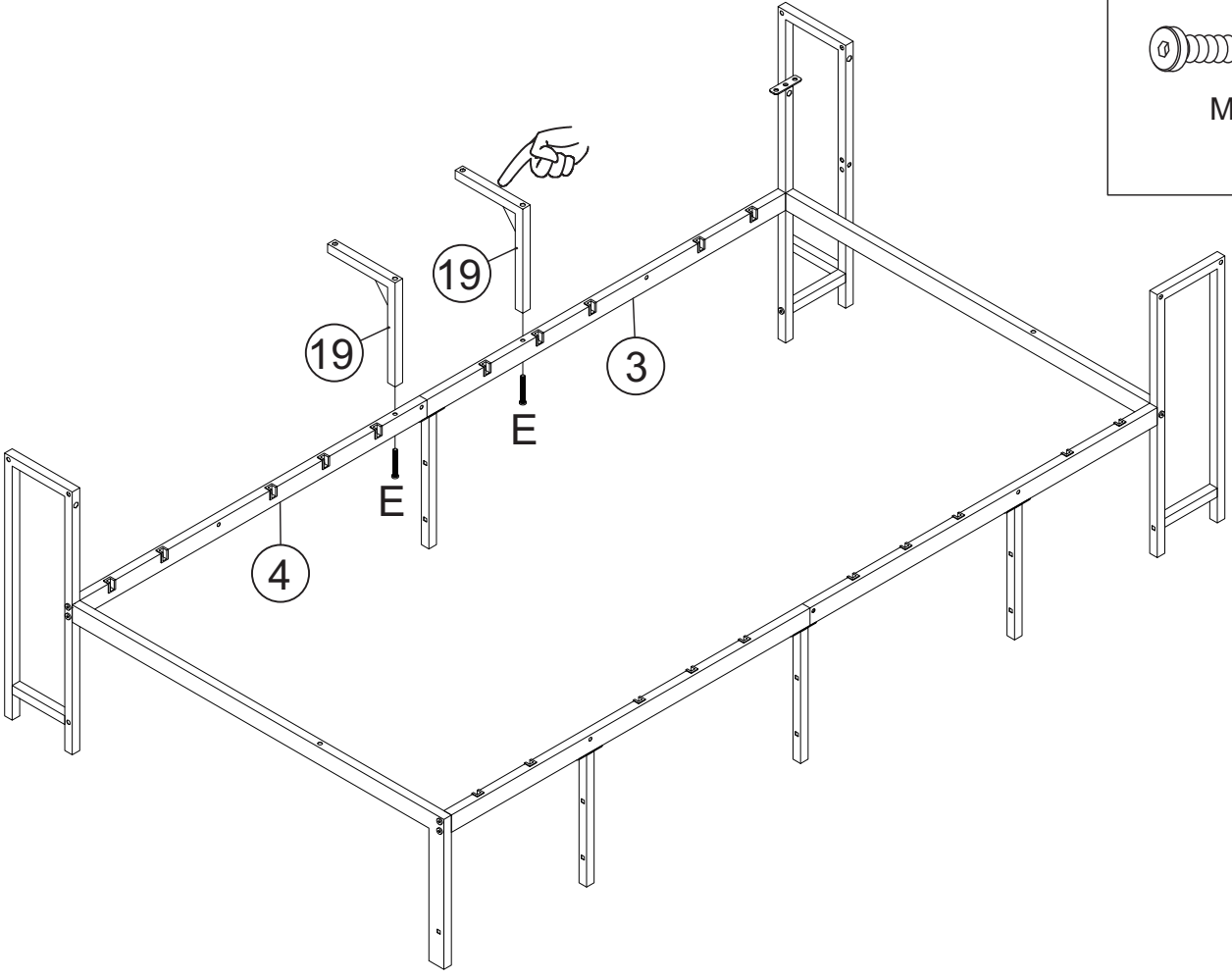
Step 7

E

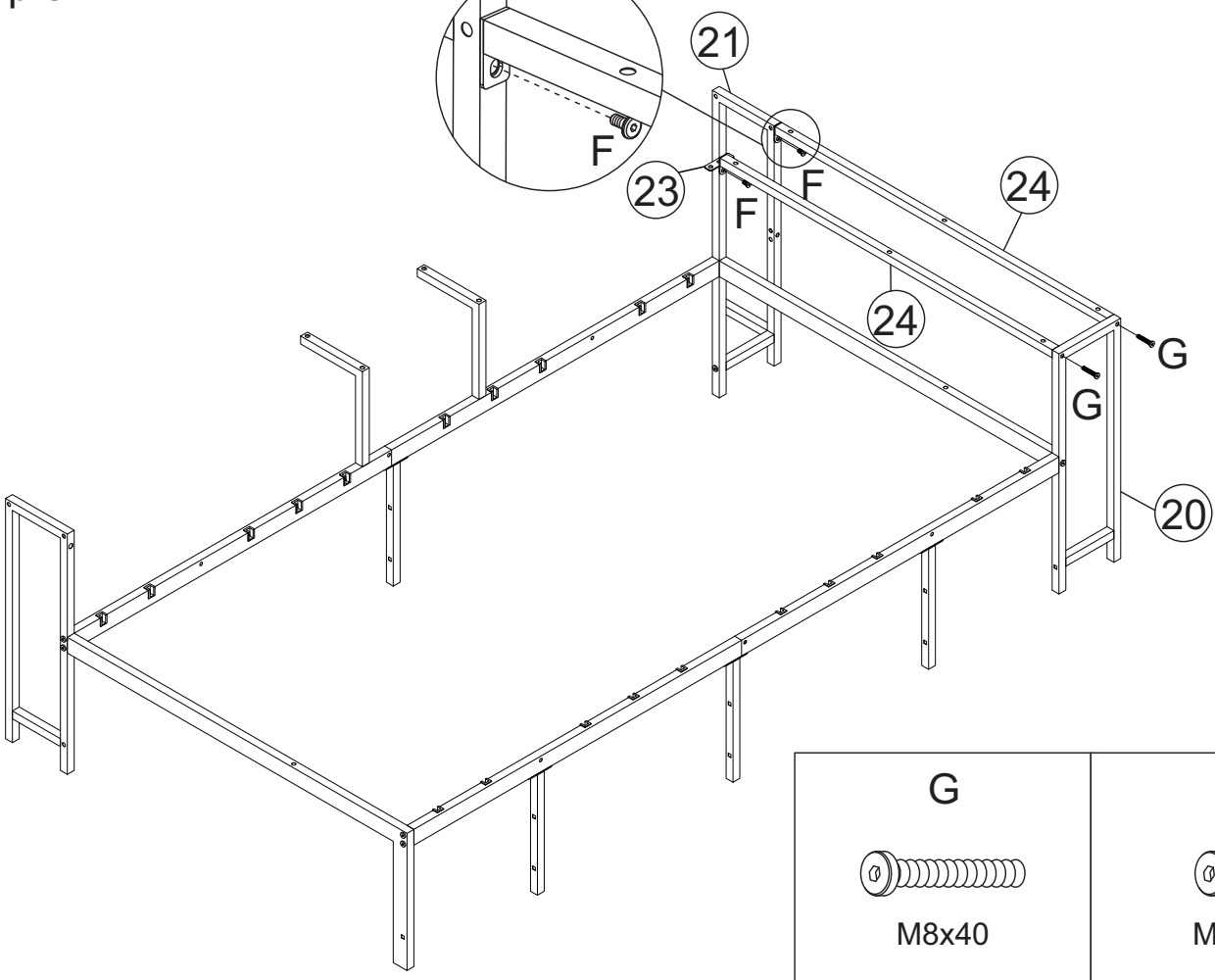
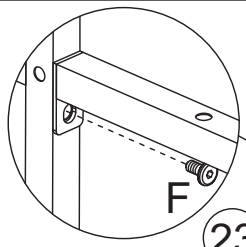


M6x60

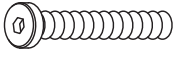
2pcs



Step 8



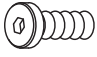
G



M8x40

2pcs

F

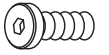


M8x15

2pcs

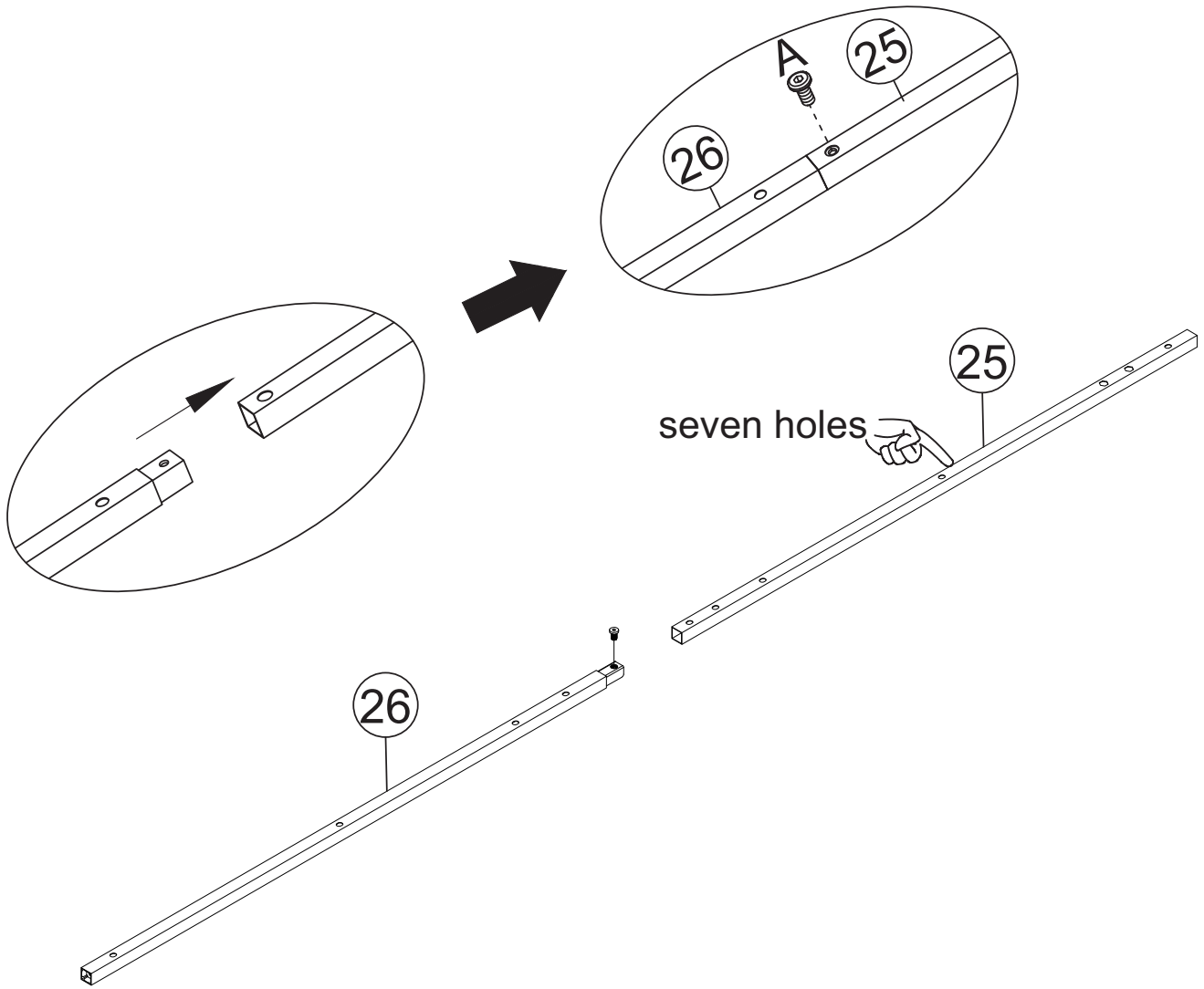
Step 9

A



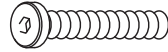
M6x12

2pcs

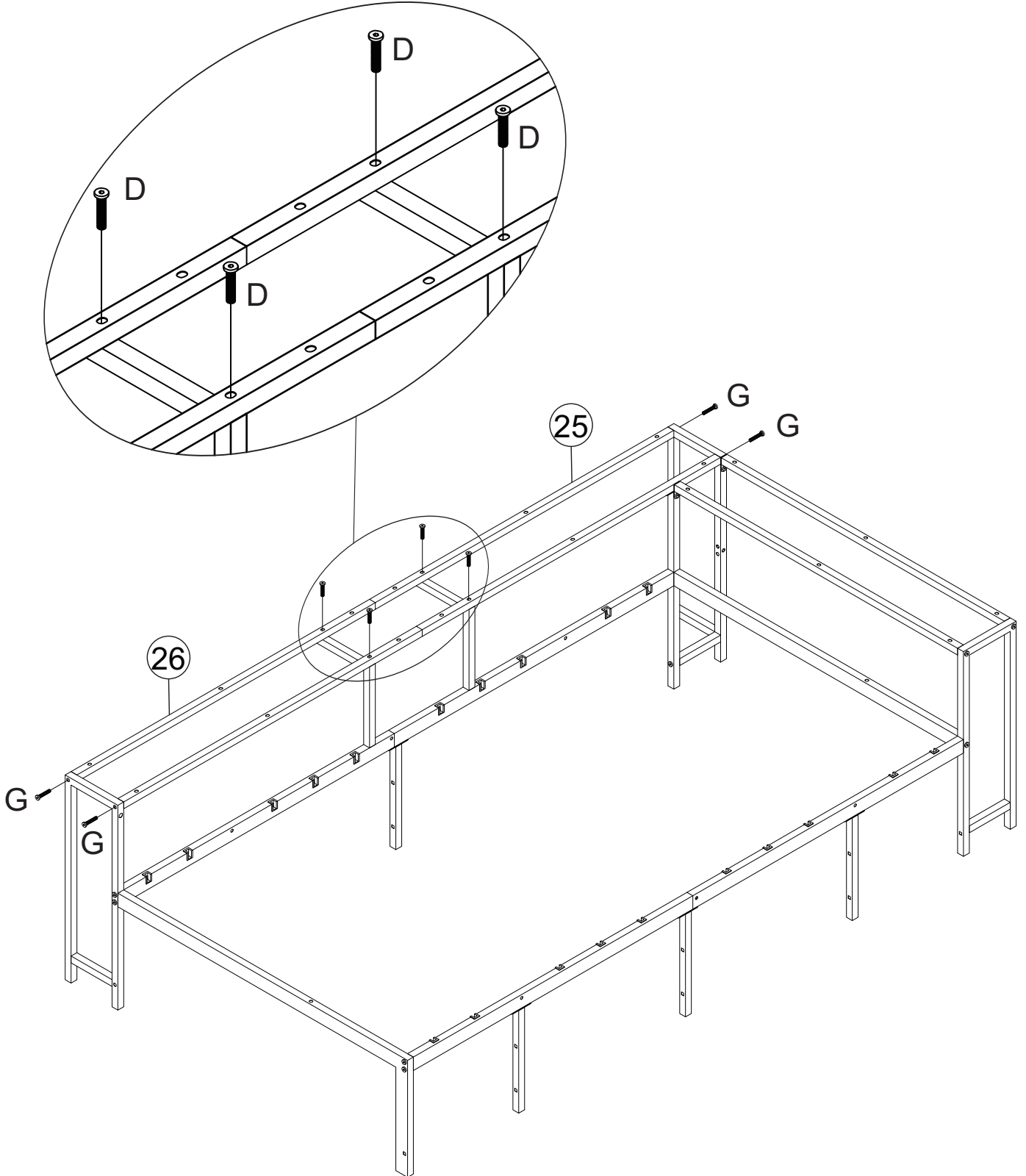


x2

Step 10

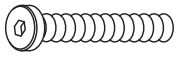
D  M6x38 4pcs	G  M8x40 4pcs
--	--

The screw faces downward.



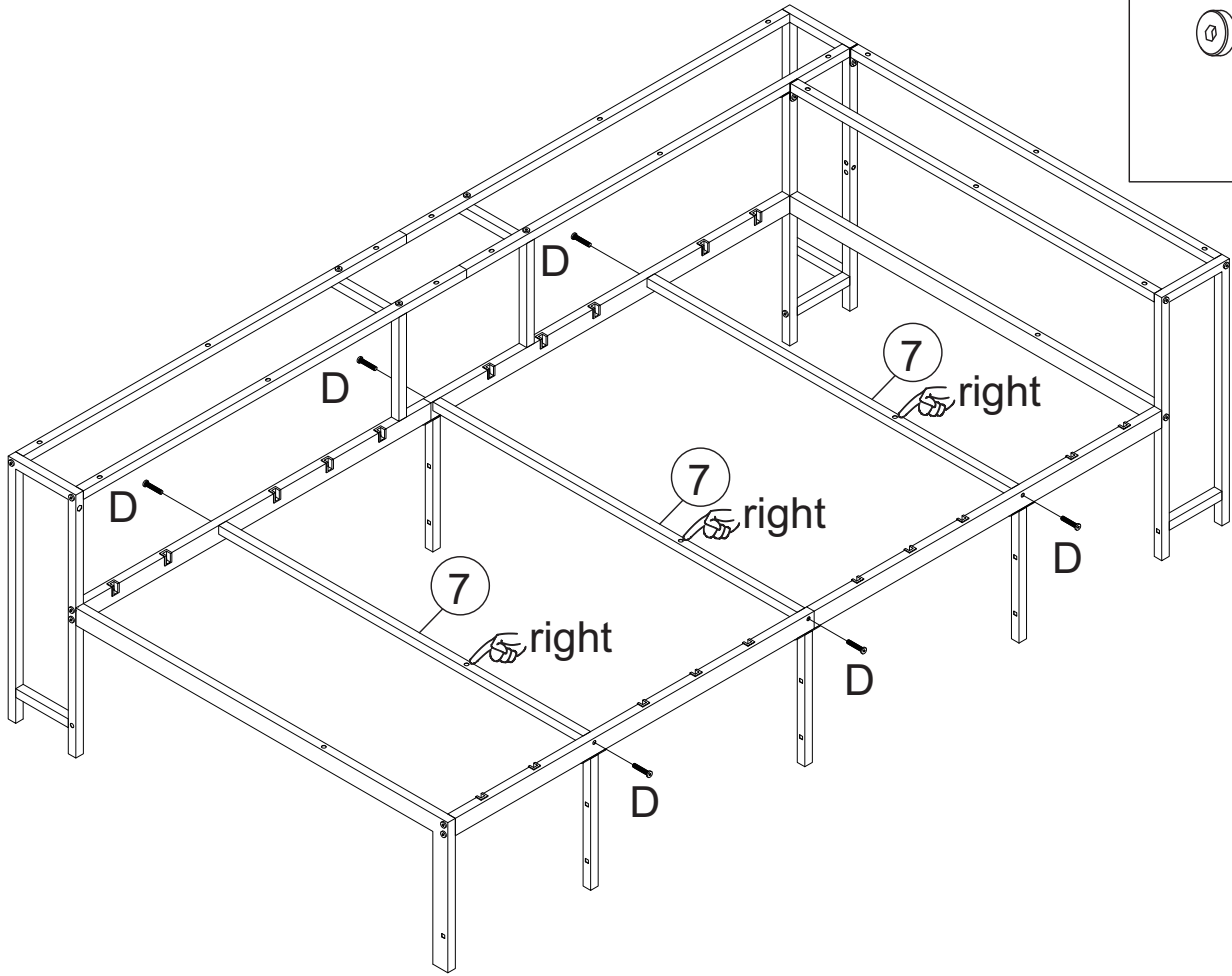
Step 11

D



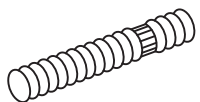
M6x38

6pcs



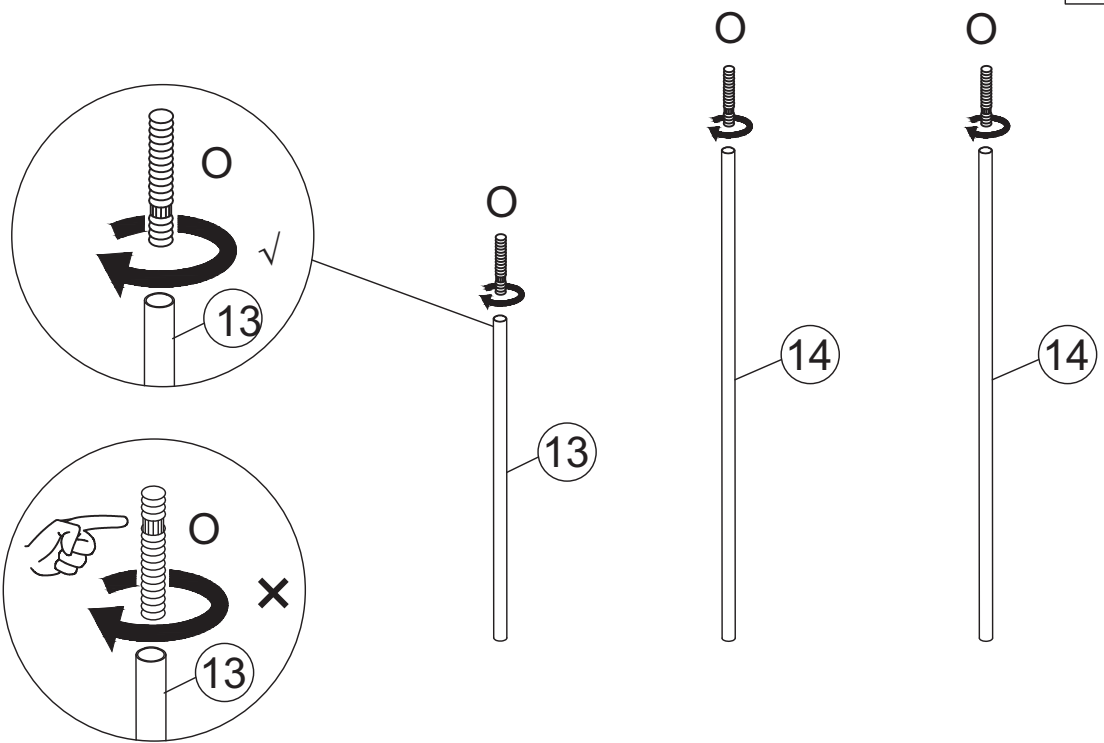
Step 12

O



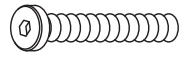
M6x60

3pcs



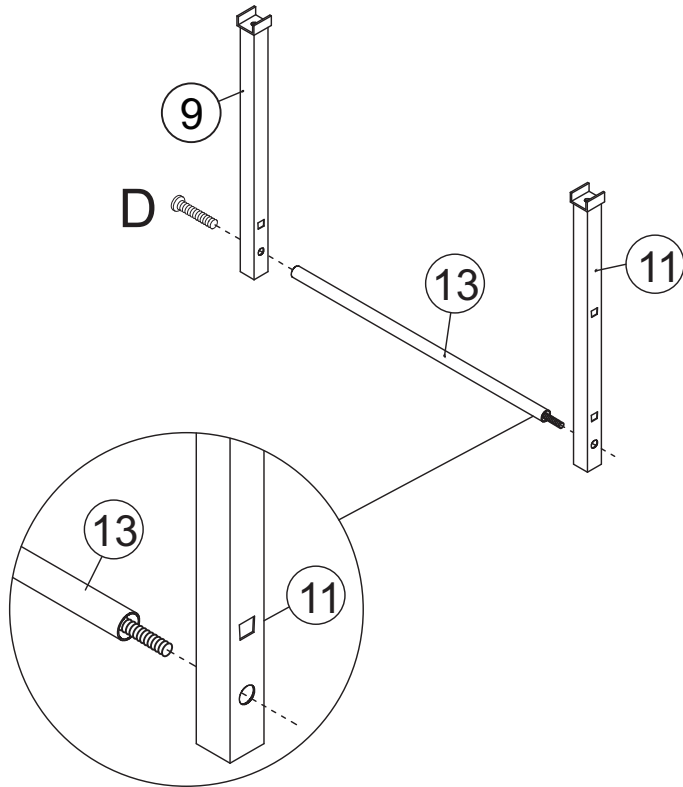
Step 13

D

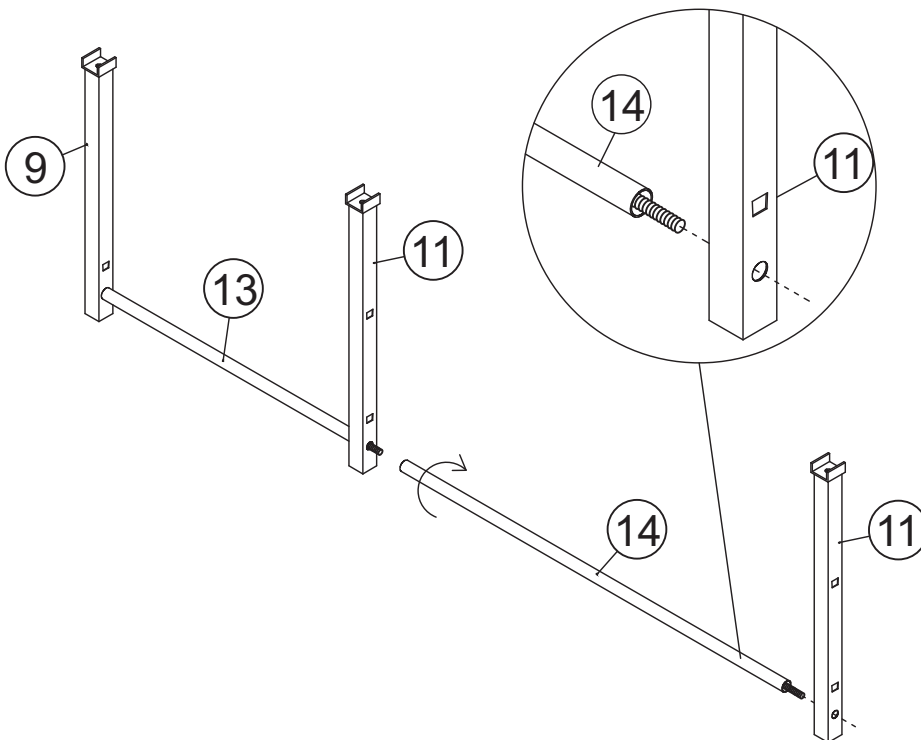


M6x38

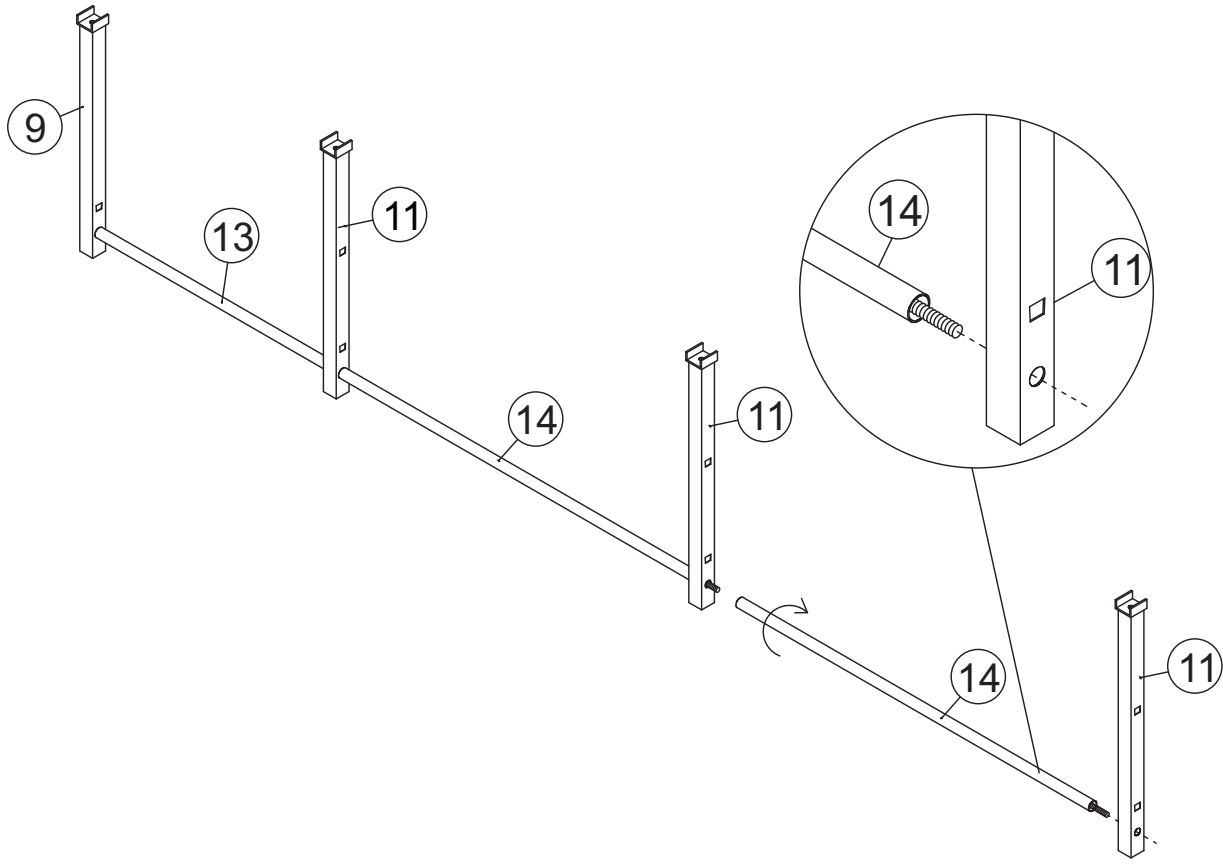
1pc



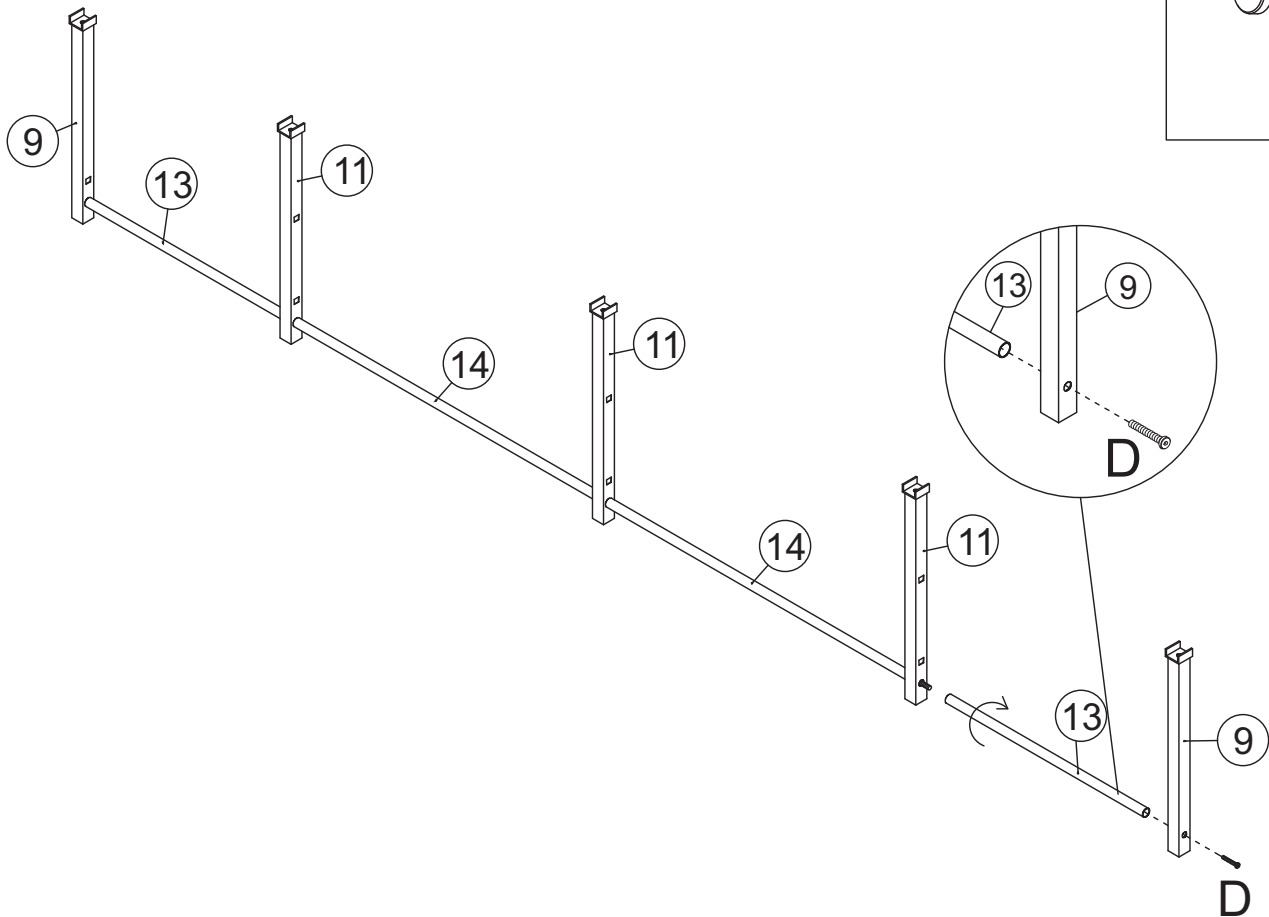
Step 14




Step 15



Step 16



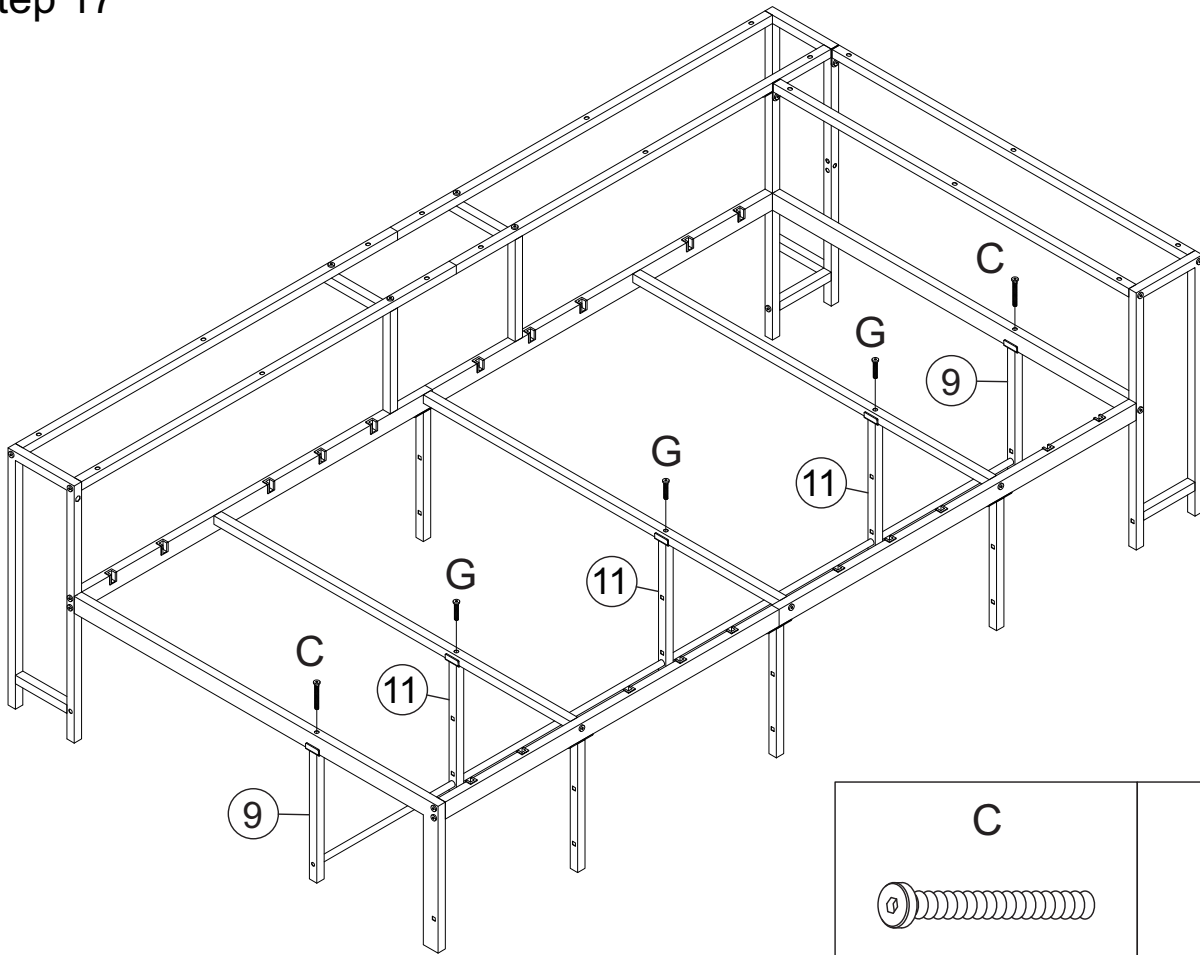
D


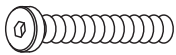


M6x38

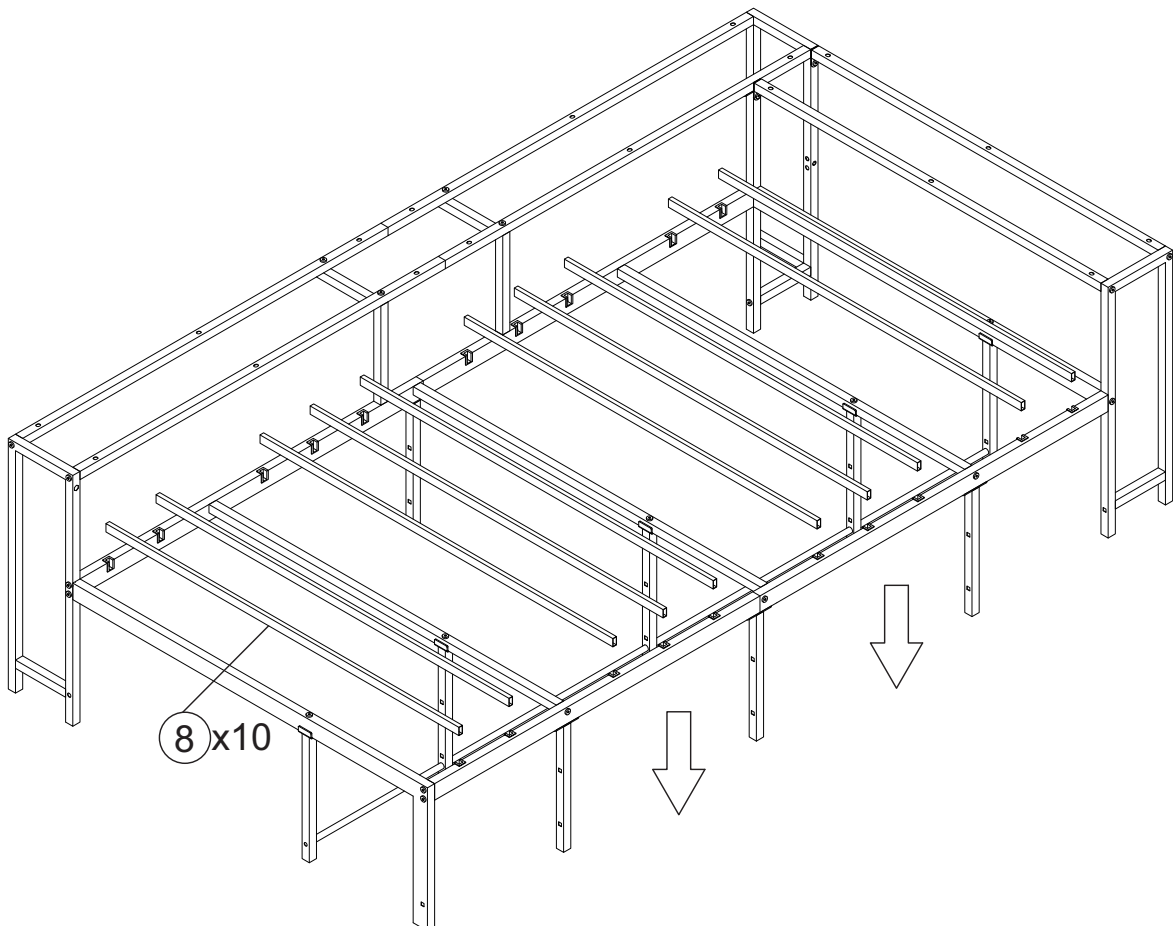
1pc

Step 17

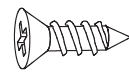
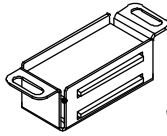
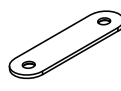
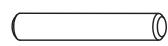
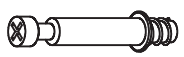


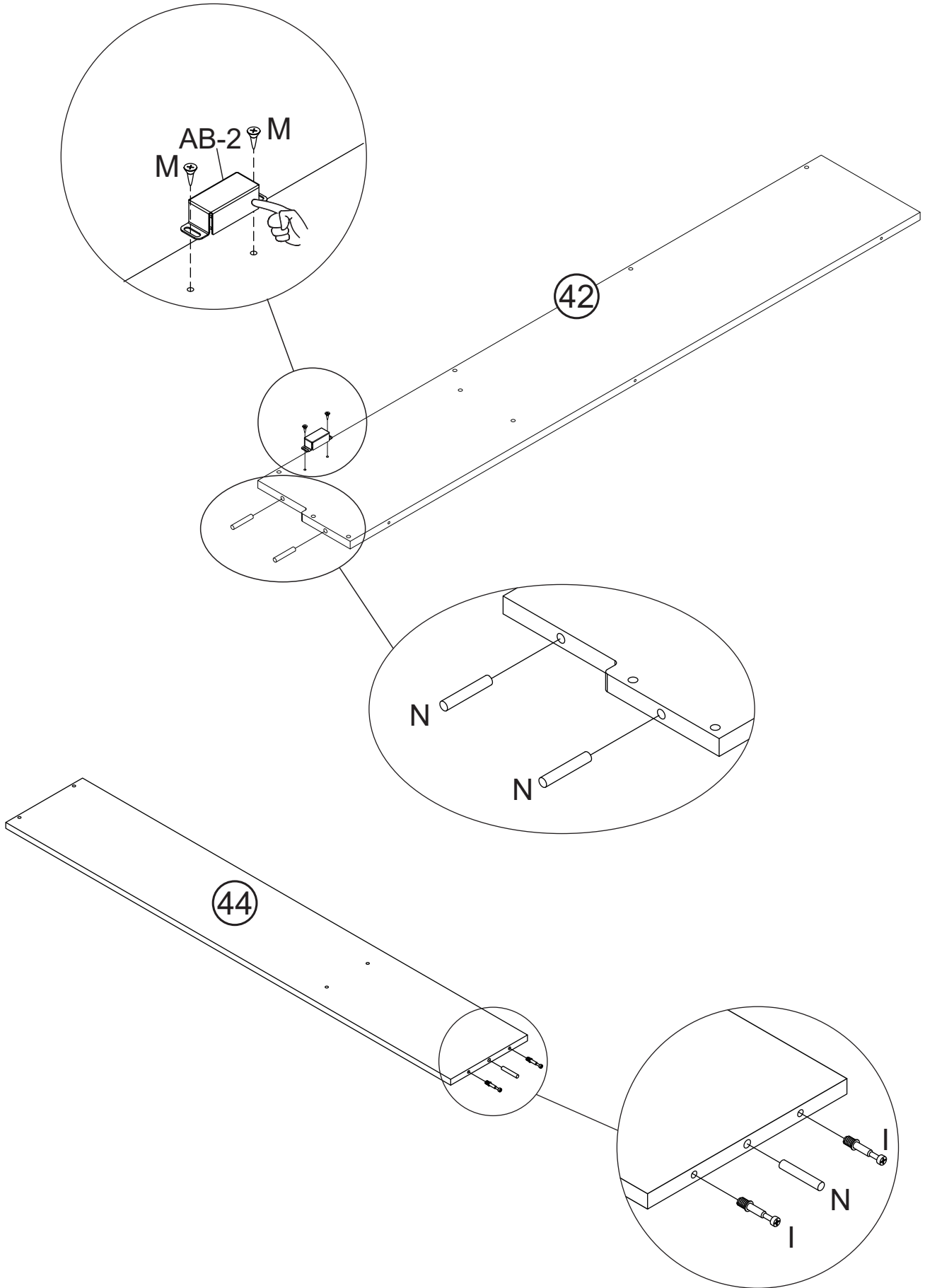
C	G
	
M8x60	M8x40
2pcs	3pcs

Step 18



Step 19

<p>M</p>  <p>Ø3.5x10</p> <p>2pcs</p>	<p>AB</p>  <p>AB-2</p>  <p>AB-1</p> <p>1pcs</p>	<p>N</p>  <p>Ø6x40</p> <p>3pc</p>	<p>I</p>  <p>Ø6x35</p> <p>2pcs</p>
--	--	---	--



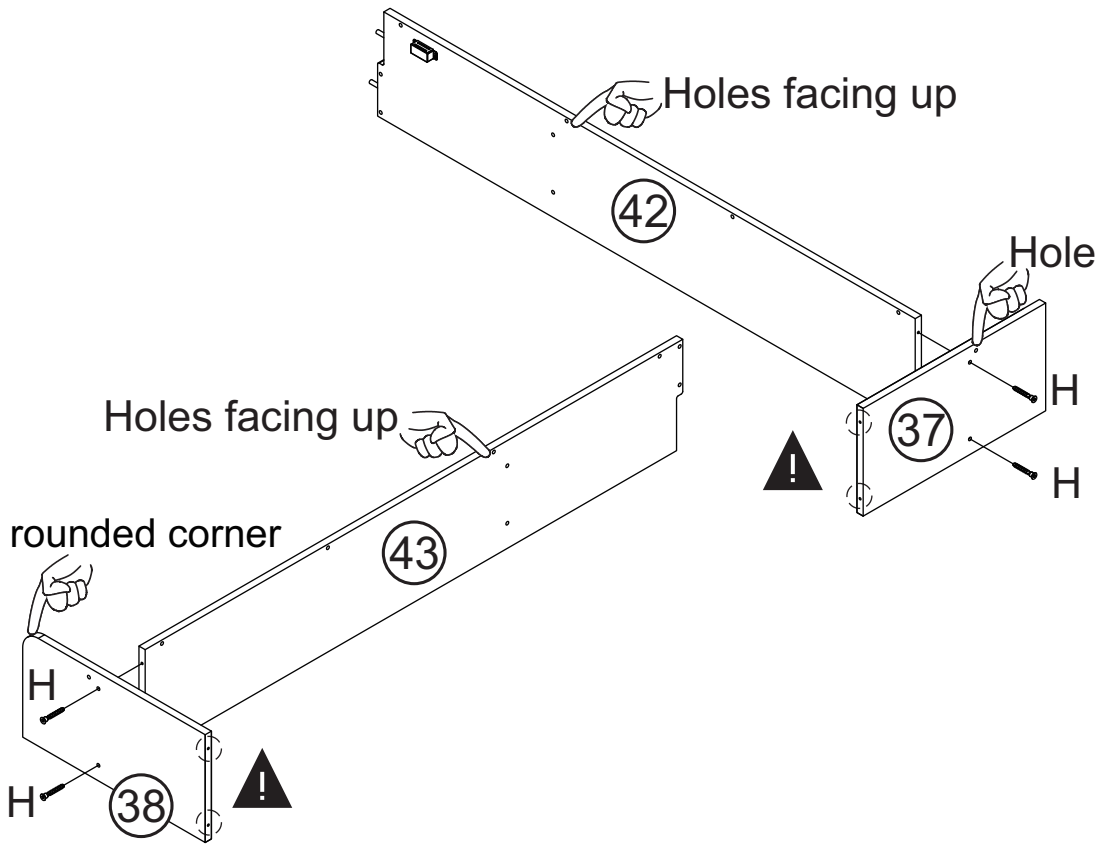
Step 20

H

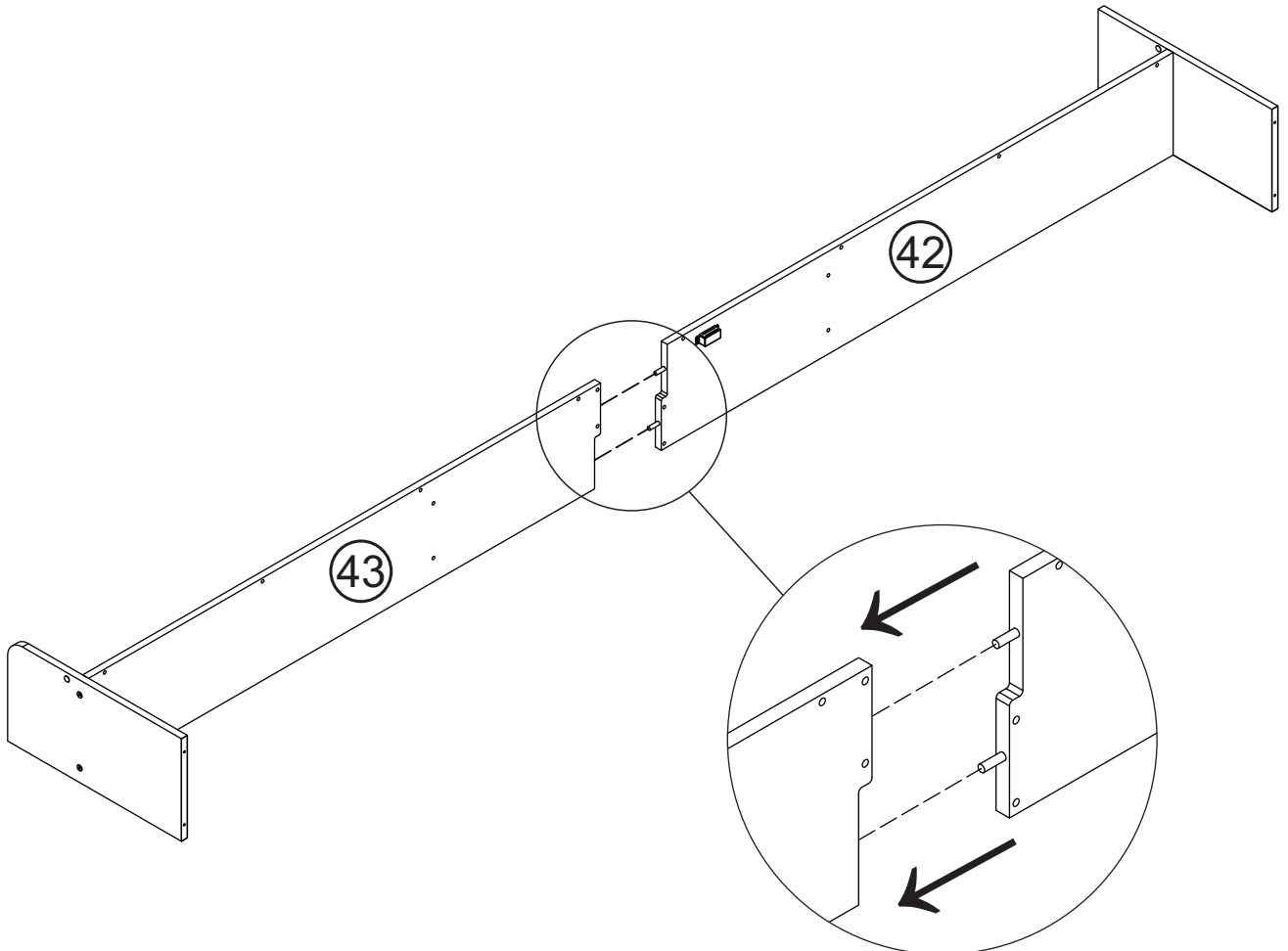


M5x35

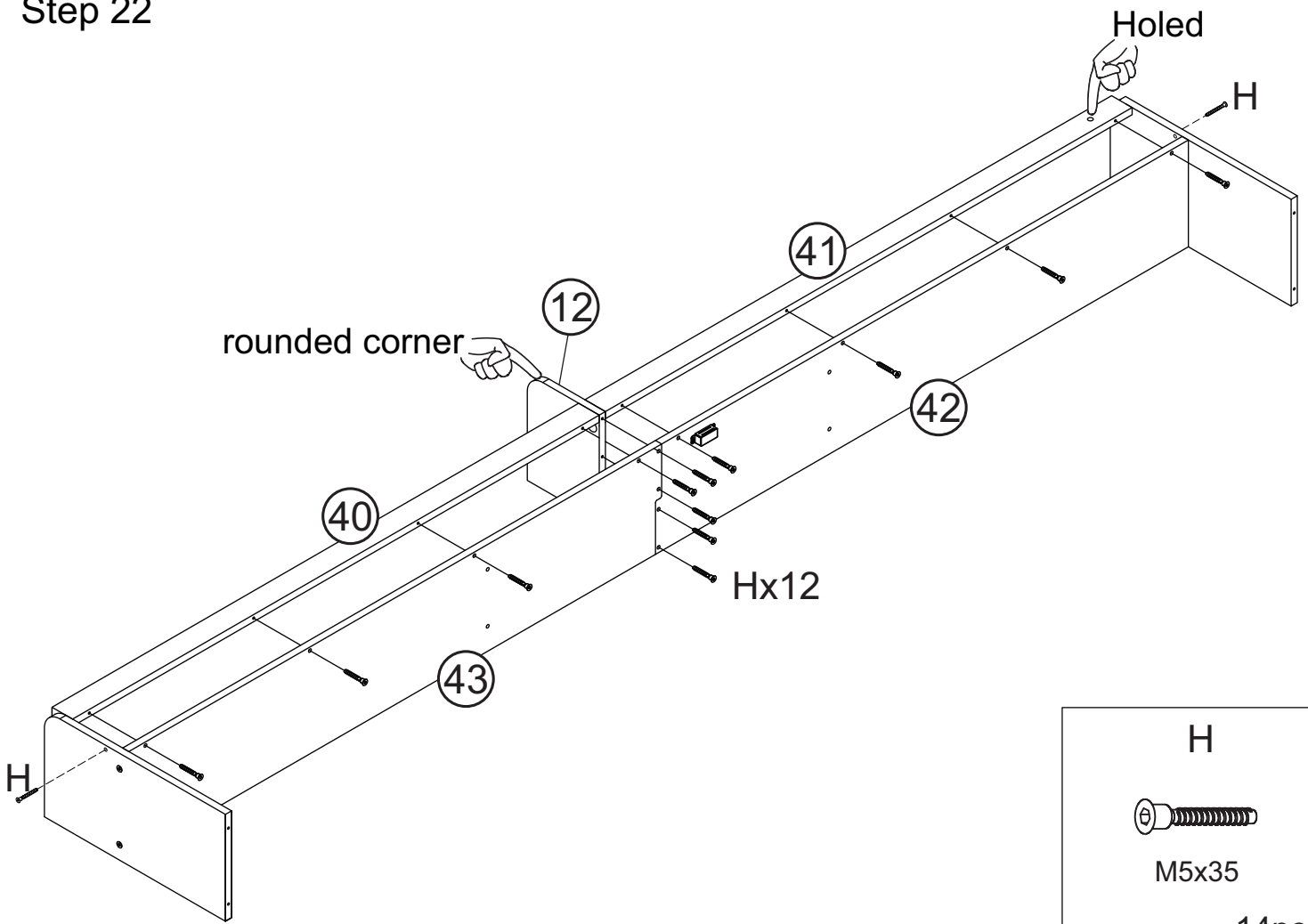
4pcs



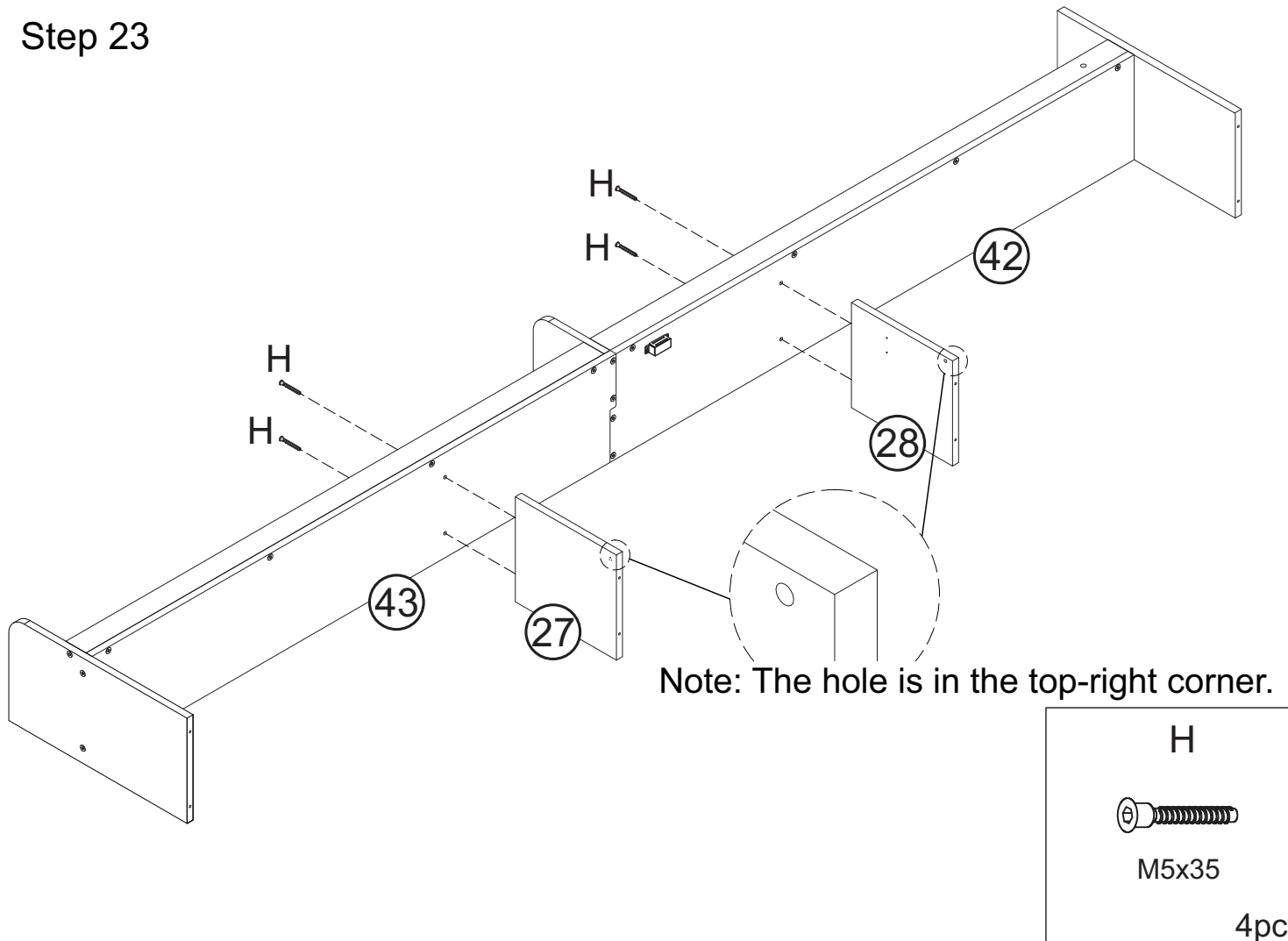
Step 21



Step 22

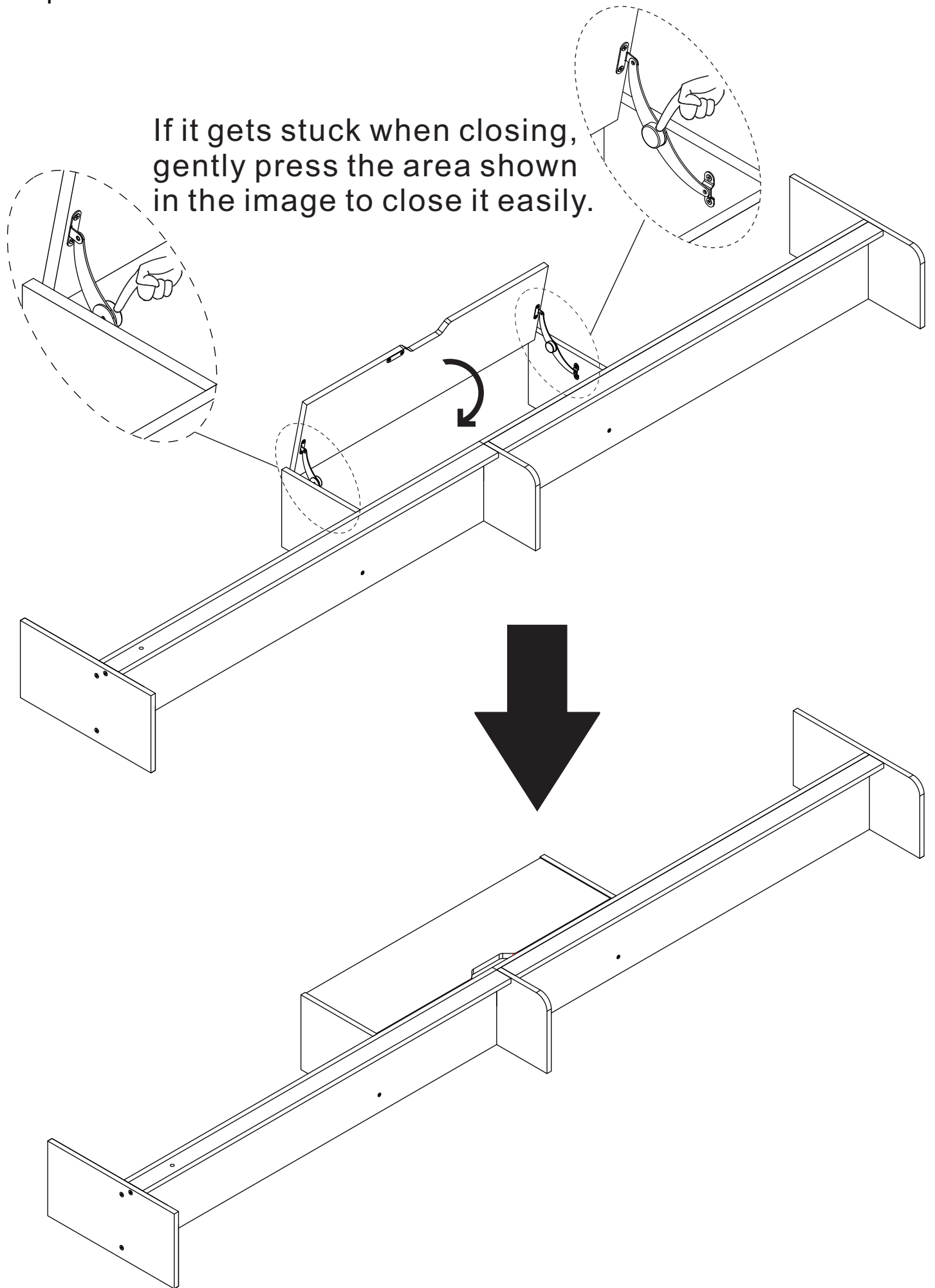


Step 23



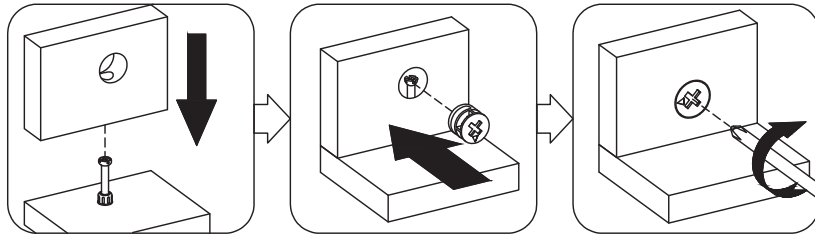
Step 26

If it gets stuck when closing, gently press the area shown in the image to close it easily.



⚠: Please do not operate violently.

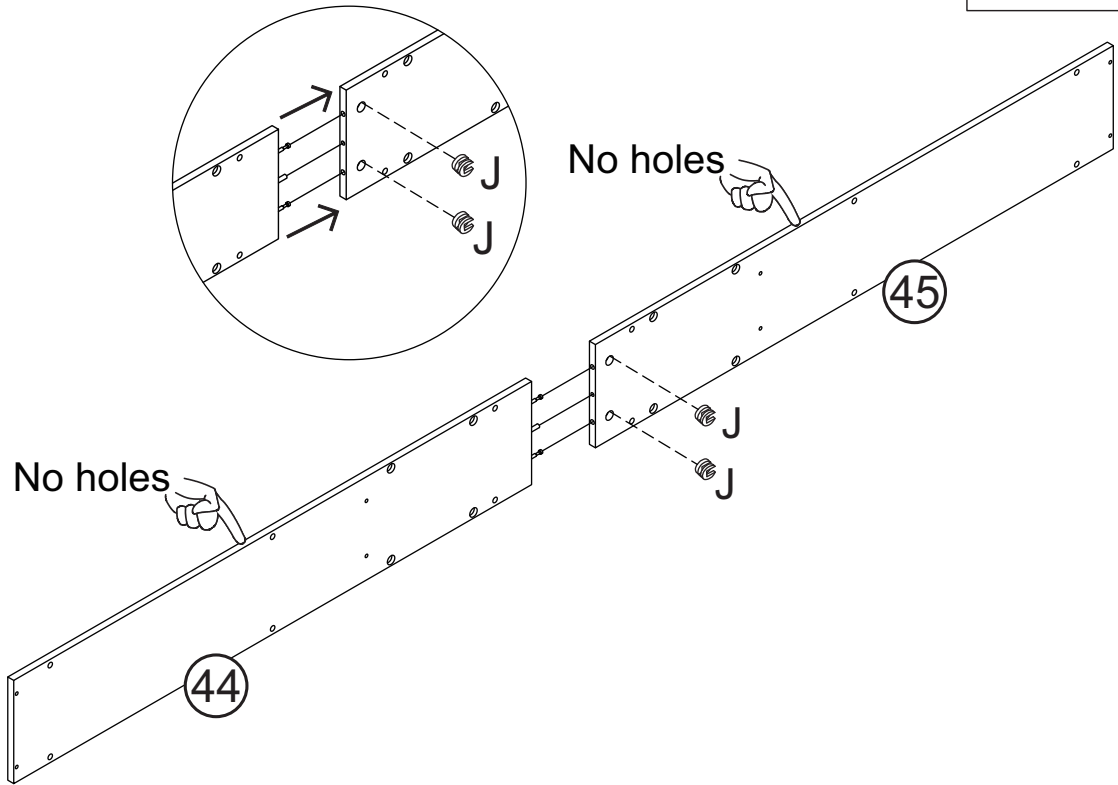
Step 27



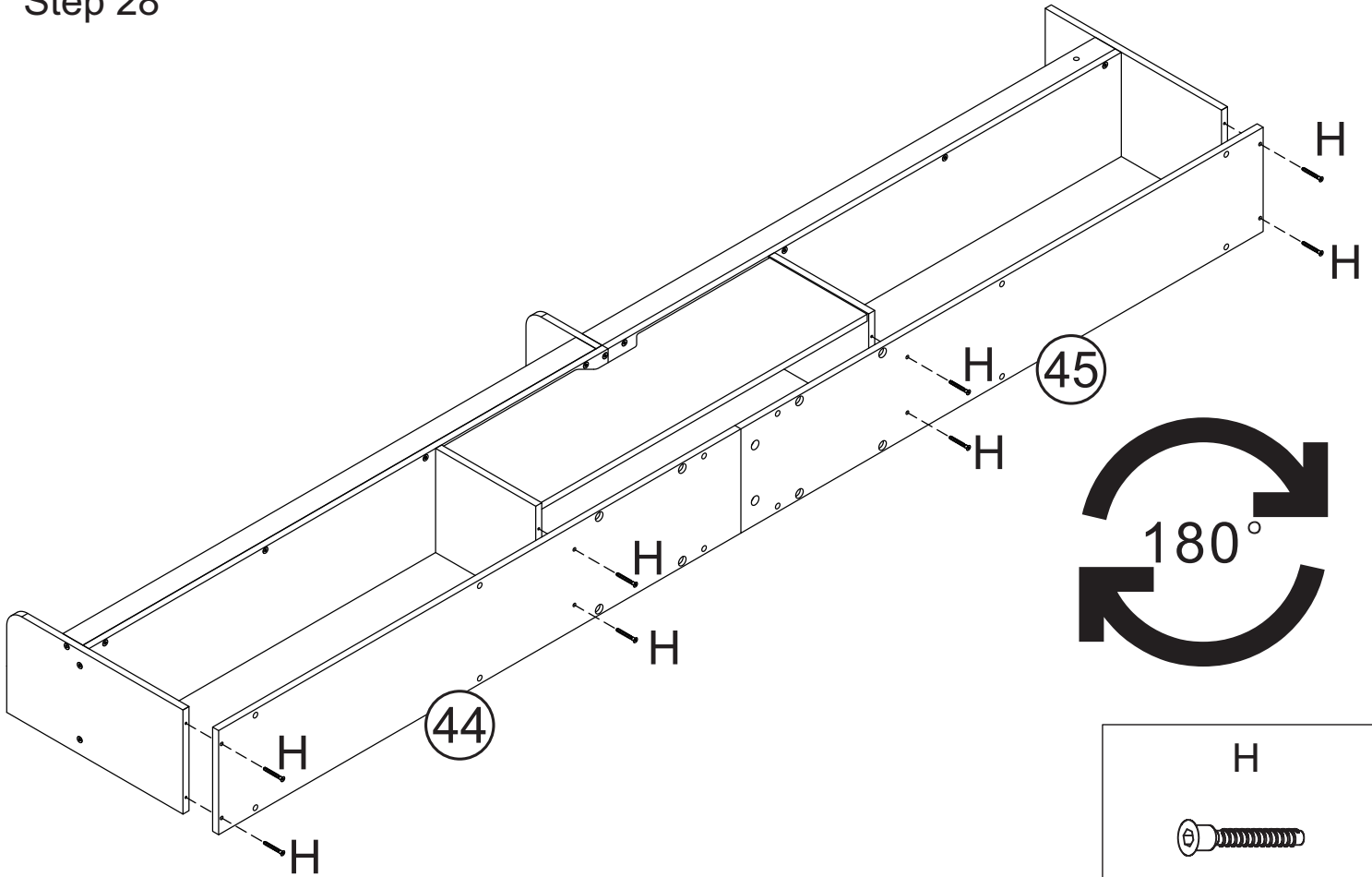
J



2pcs



Step 28



H

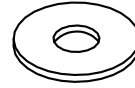


M5x35

8pcs

Step 29

AD



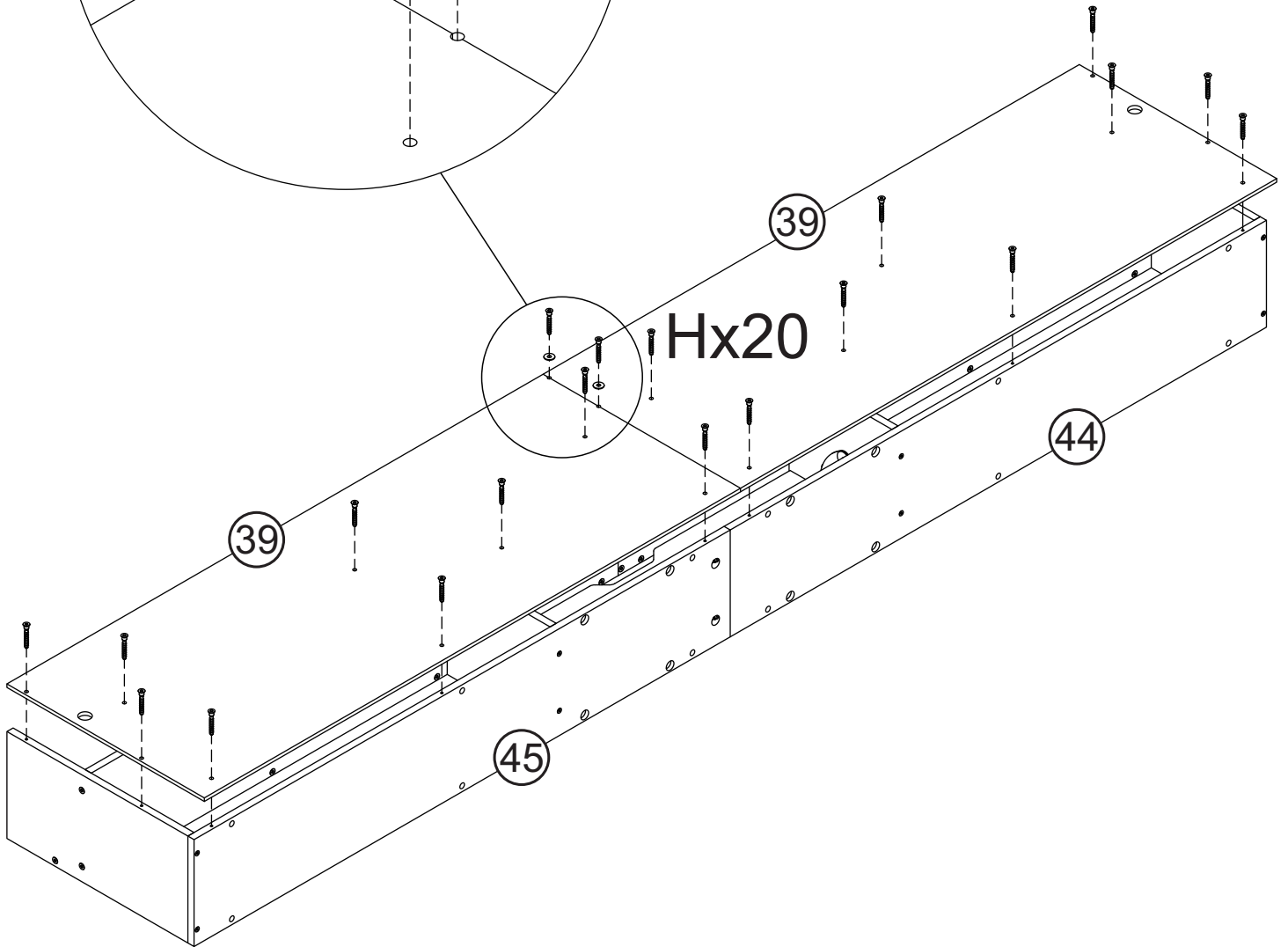
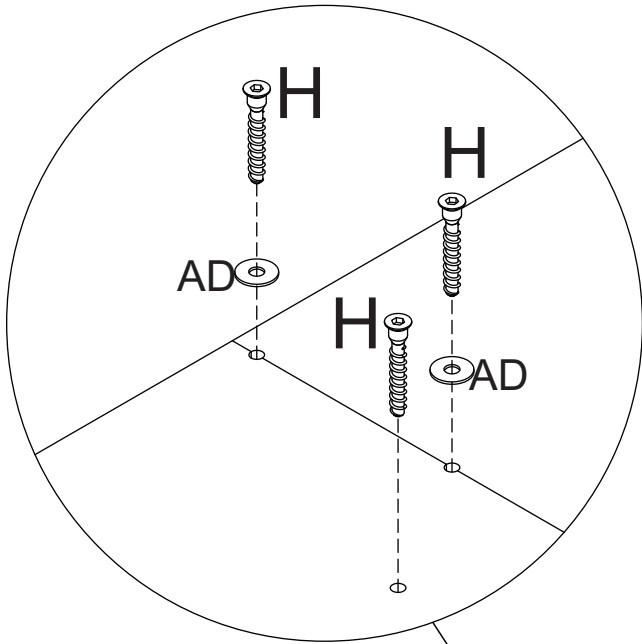
2pcs

H

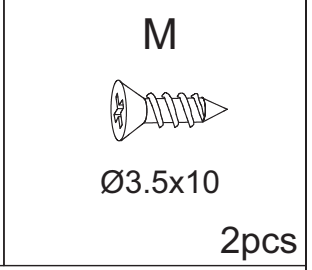
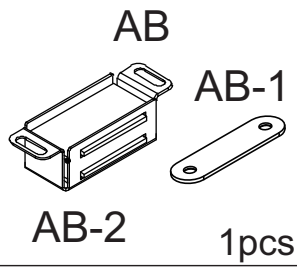
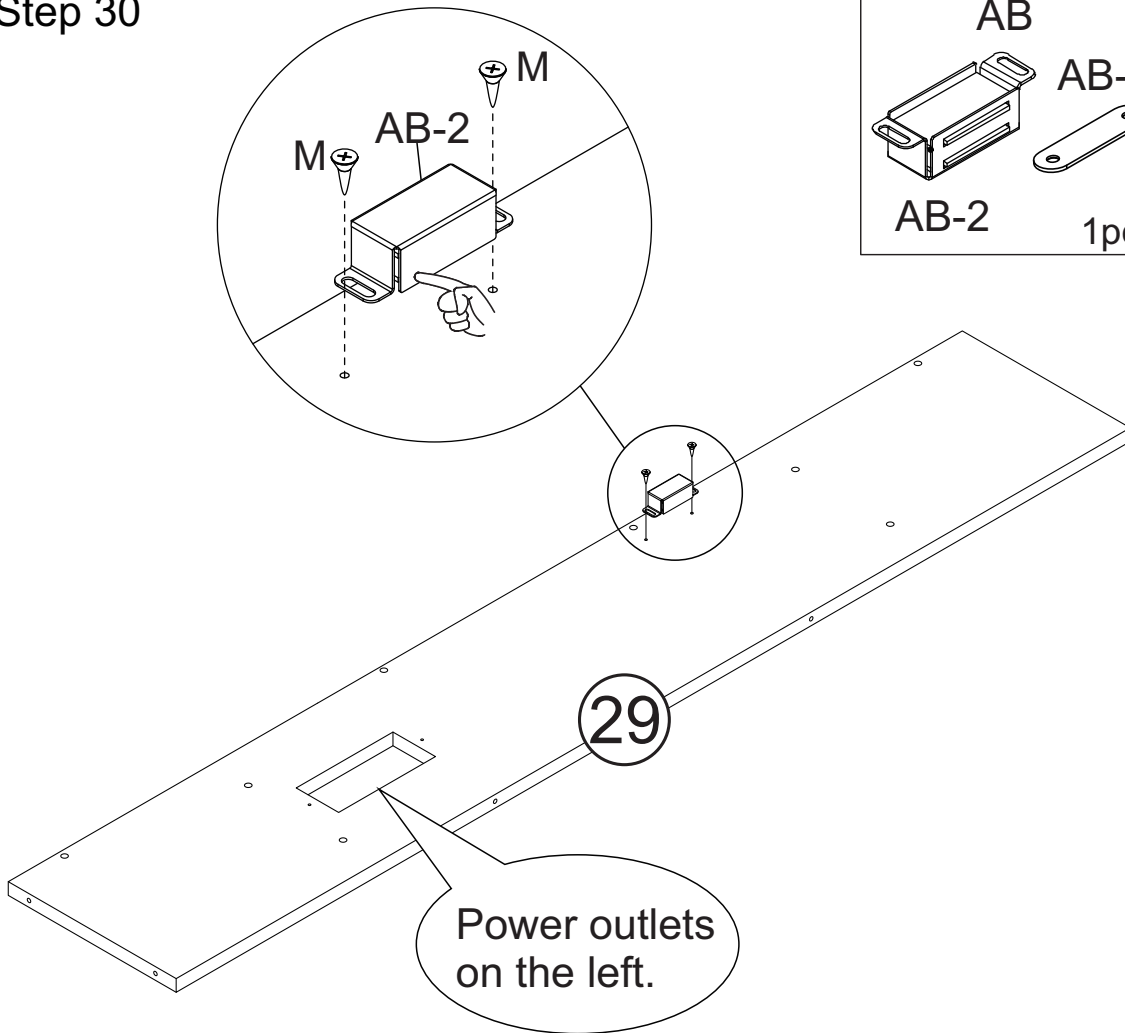


M5x35

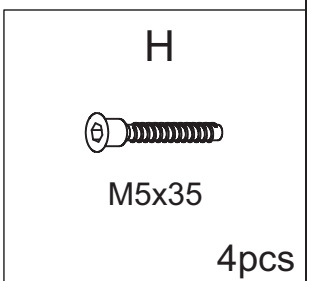
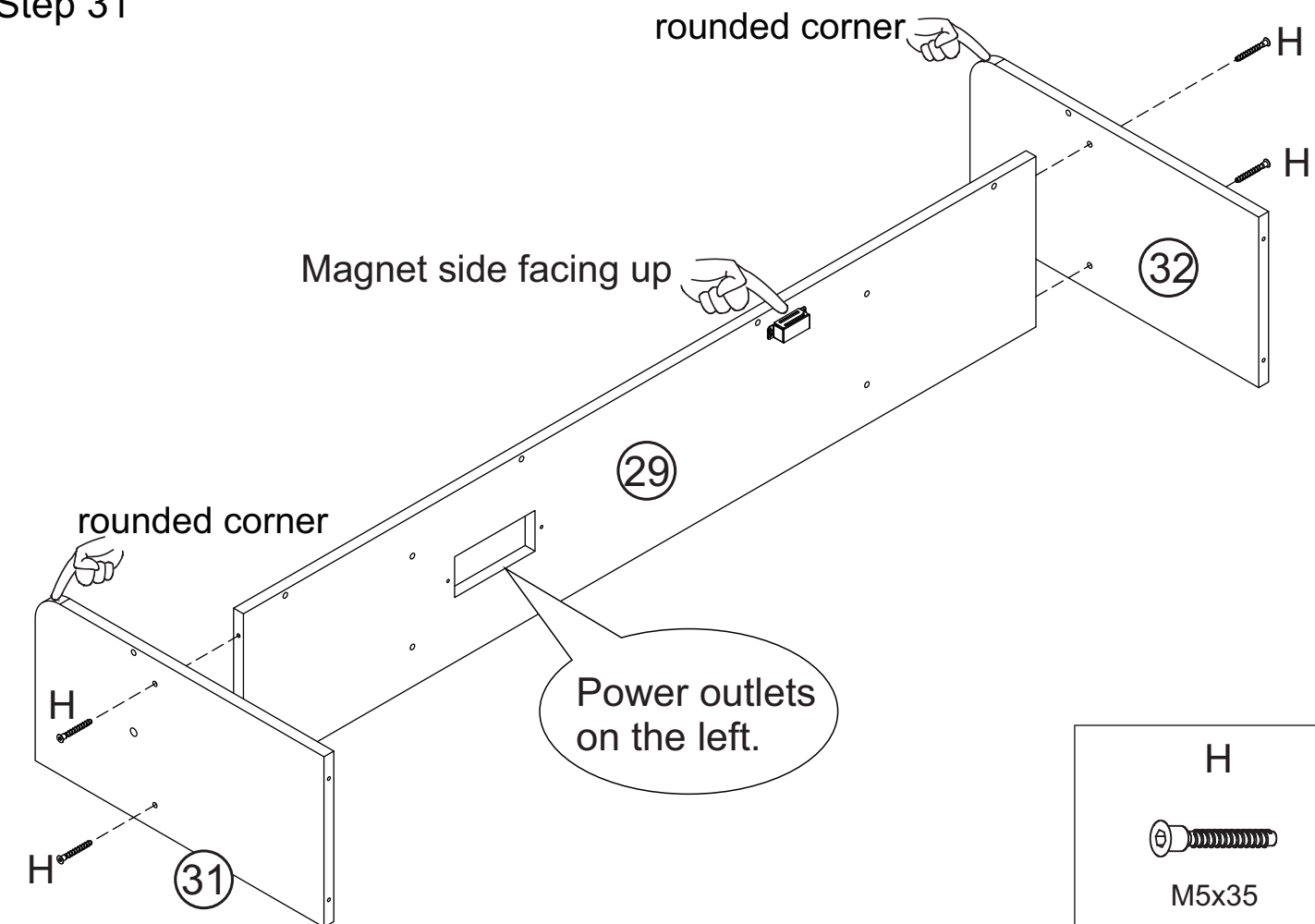
20pcs



Step 30



Step 31



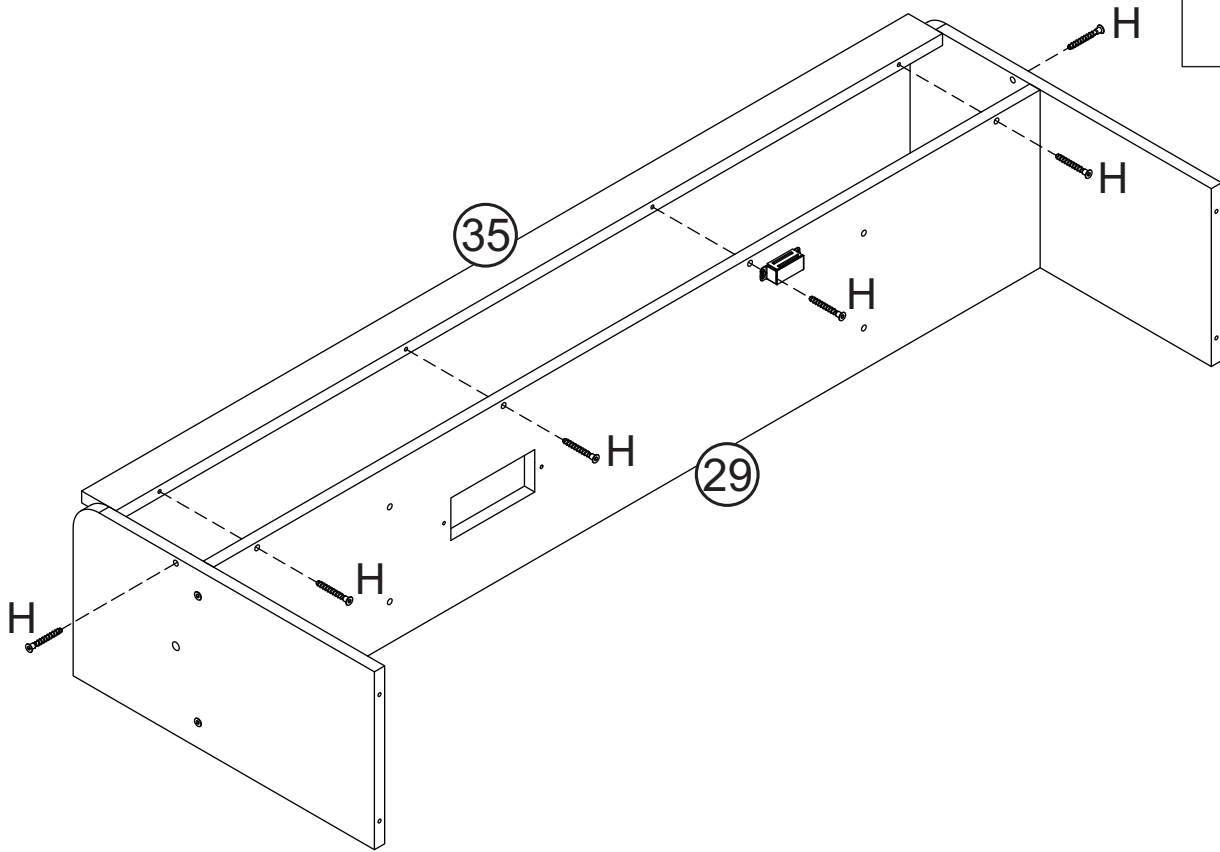
Step 32

H



M5x35

6pcs



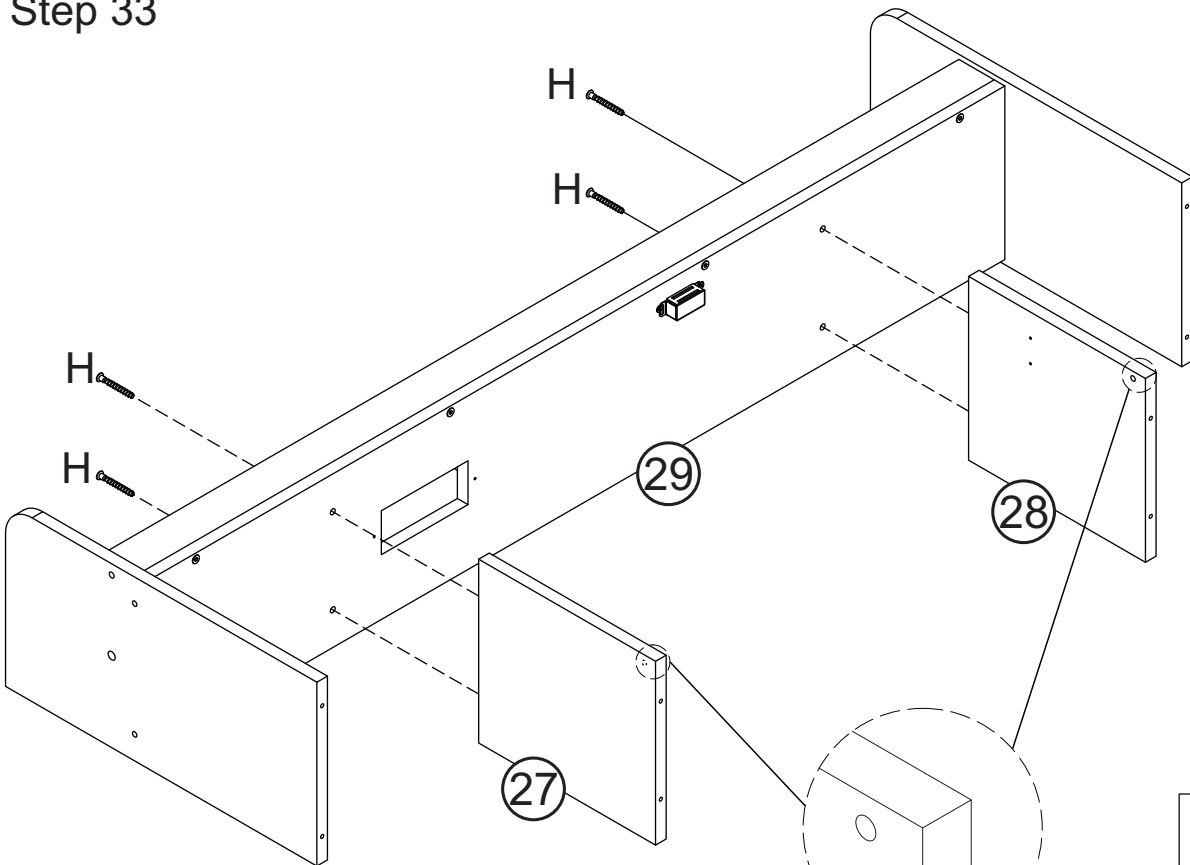
Step 33

H

H

H

H



Note: The hole is in the top-right corner.

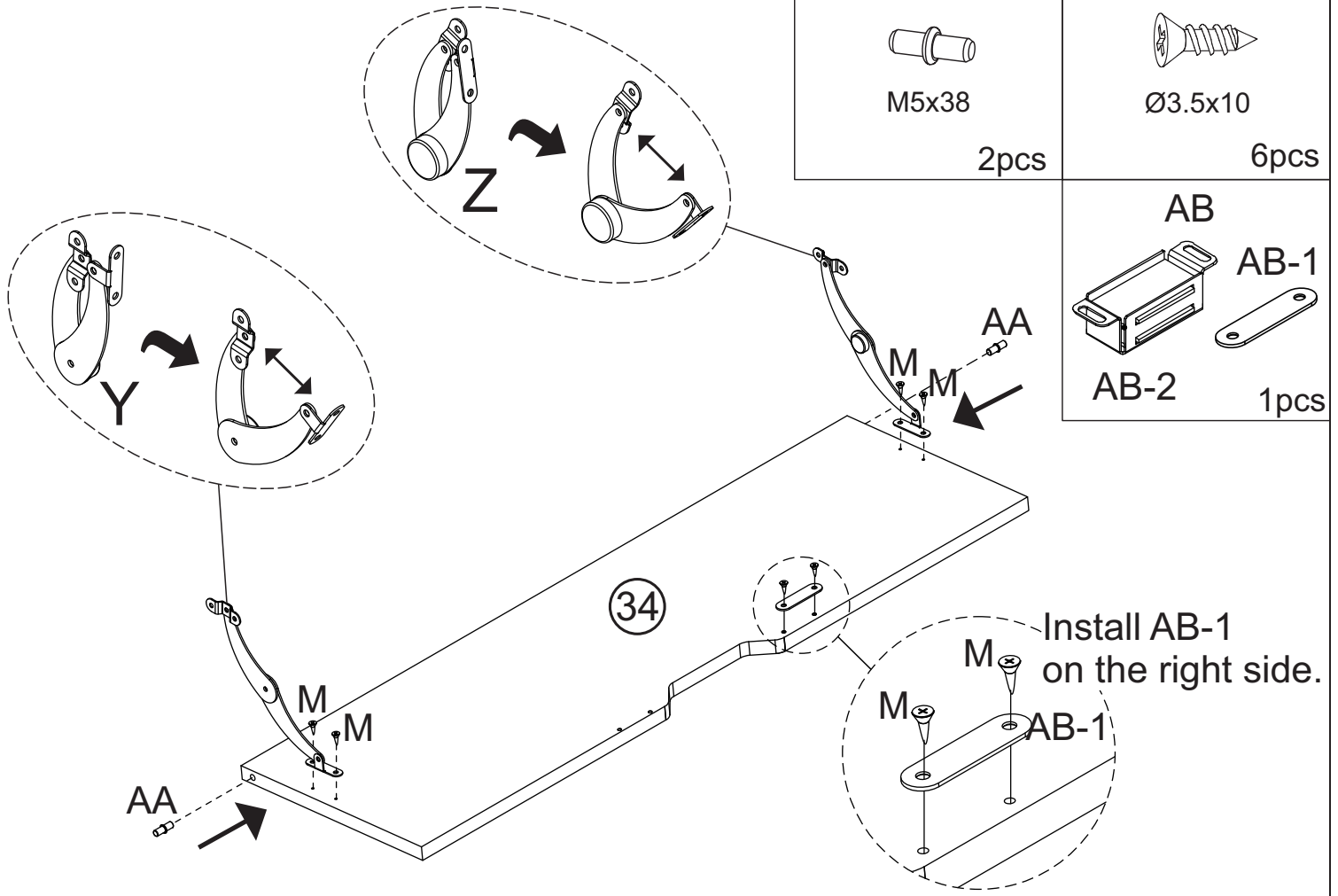
H



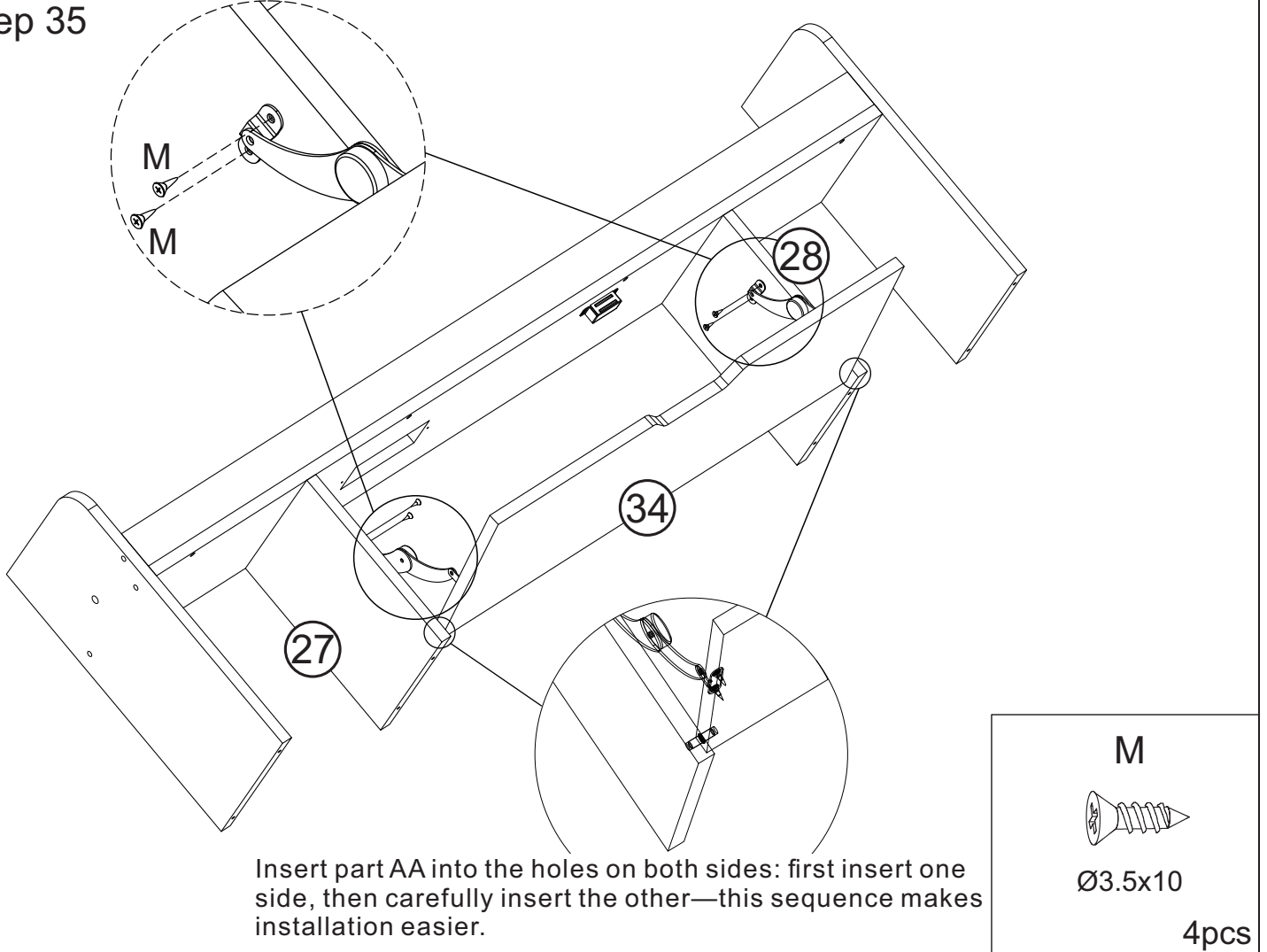
M5x35

4pcs

Step 34

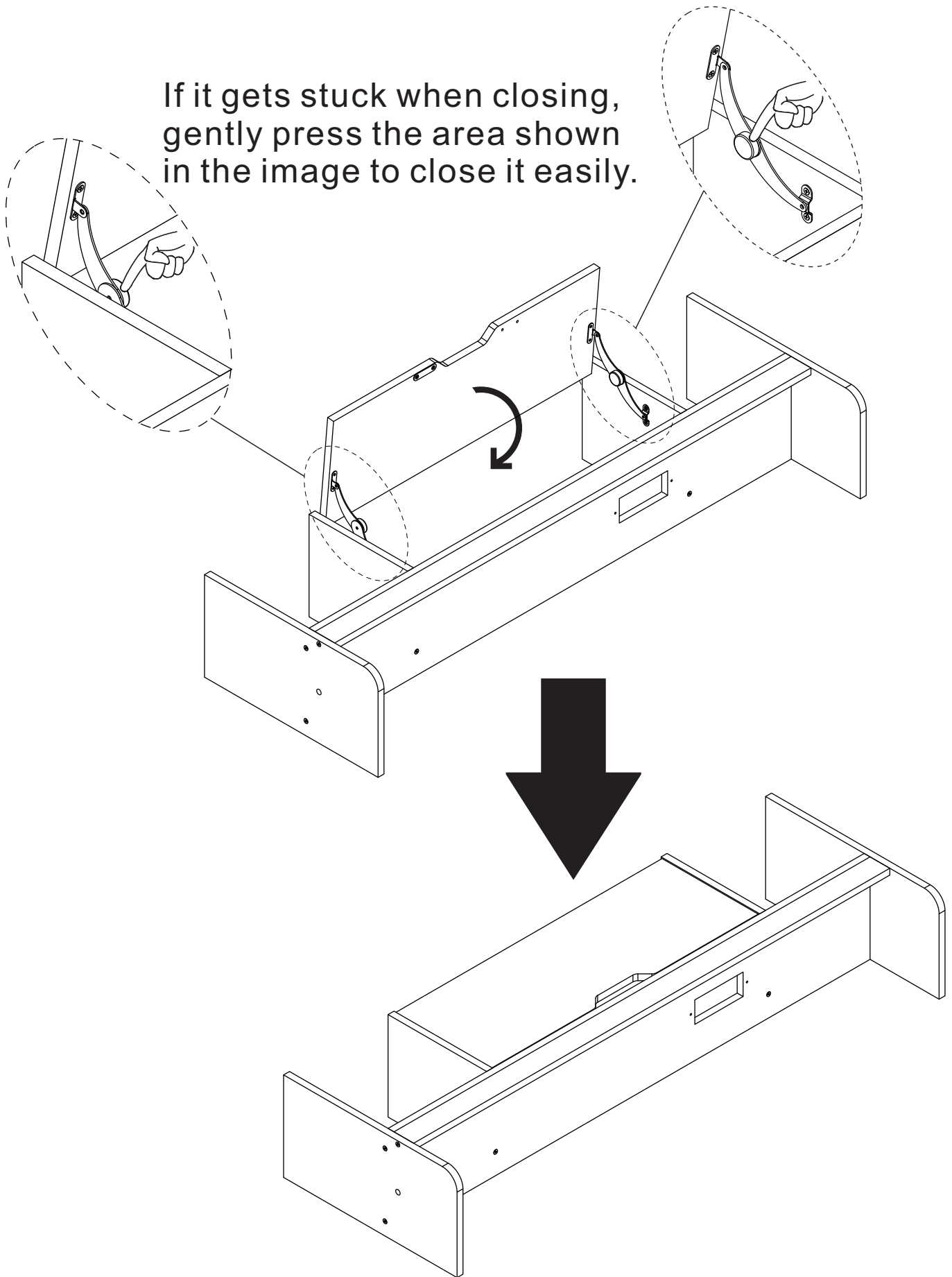


Step 35



Step 36

If it gets stuck when closing,
gently press the area shown
in the image to close it easily.



⚠: Please do not operate violently.

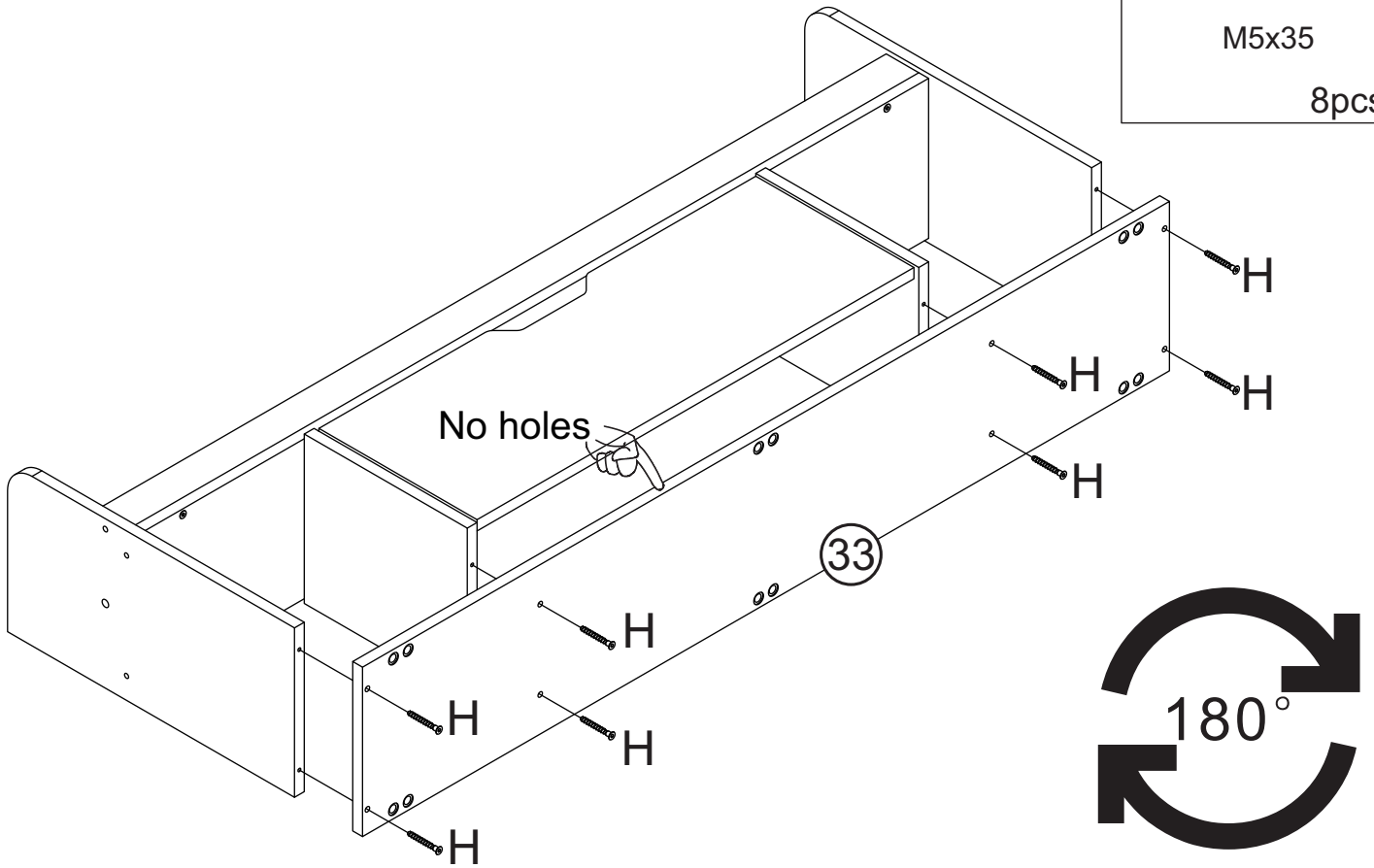
Step 37

H



M5x35

8pcs



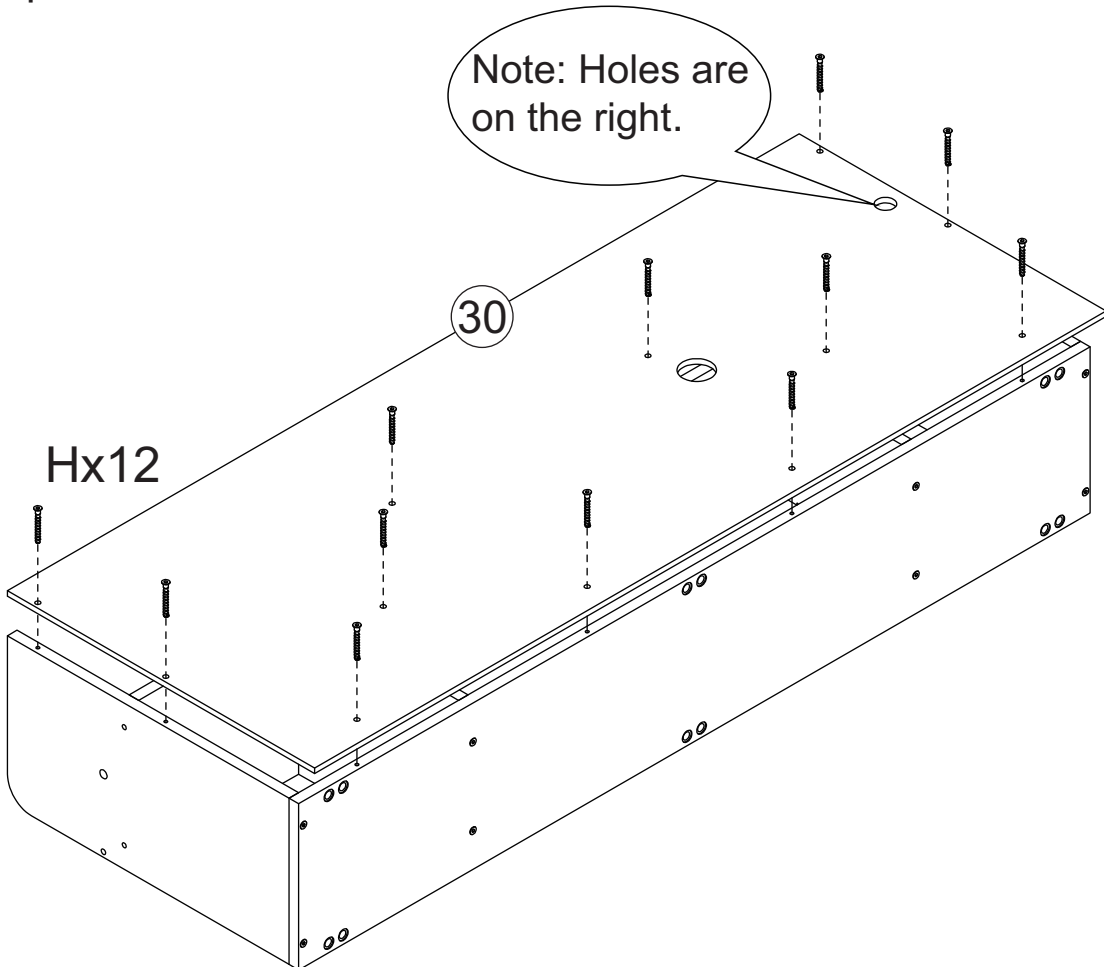
Step 38

H



M5x35

12pcs



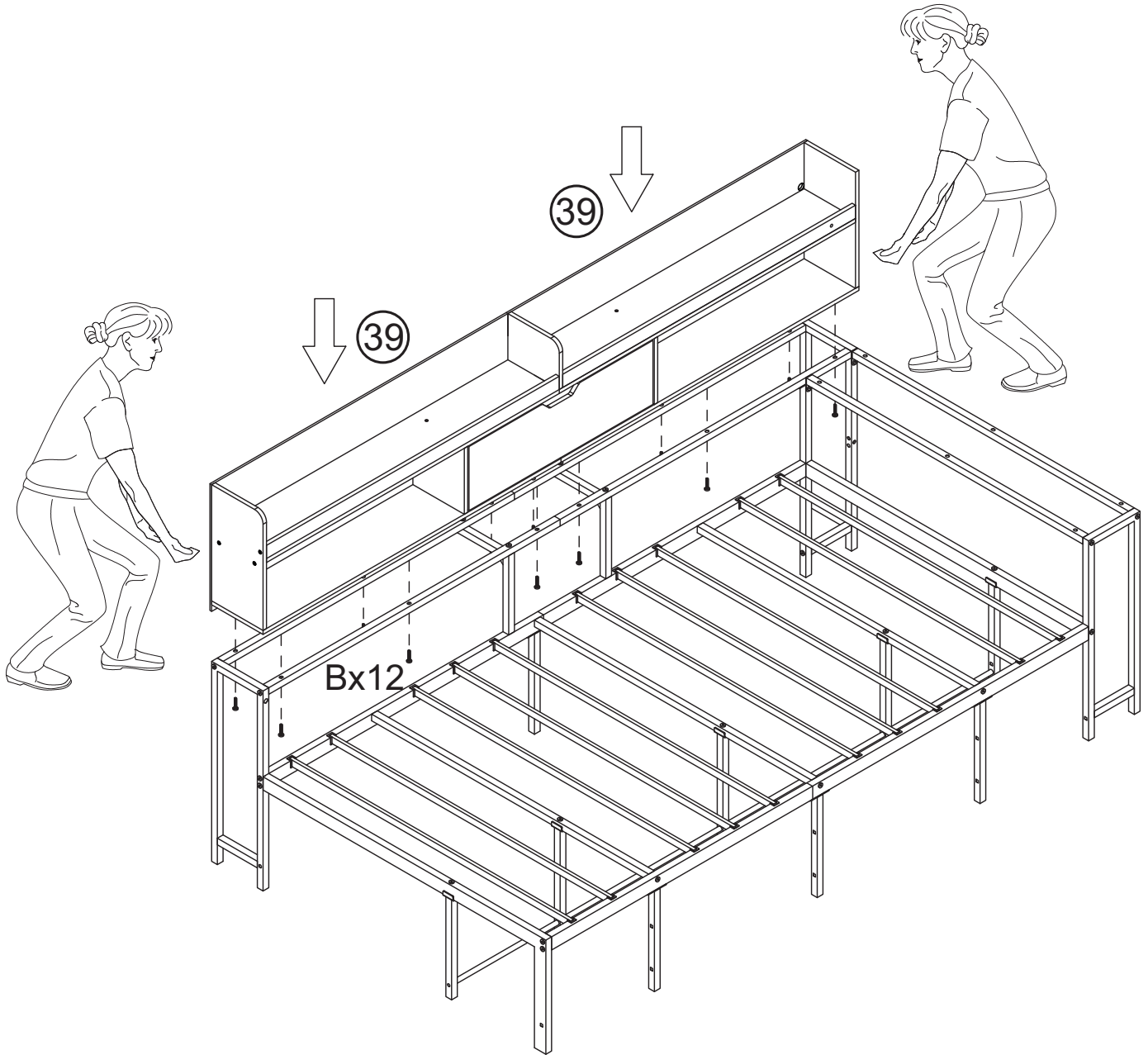
Step 39

B



M6x28

12pcs



Tip: If the screws are hard to align with the holes, slightly loosen the two outermost screws on the left and right, start by securing the middle ones, and do not fully tighten any screw until all of them are aligned; tighten completely only after everything is in place.

Step 40

B



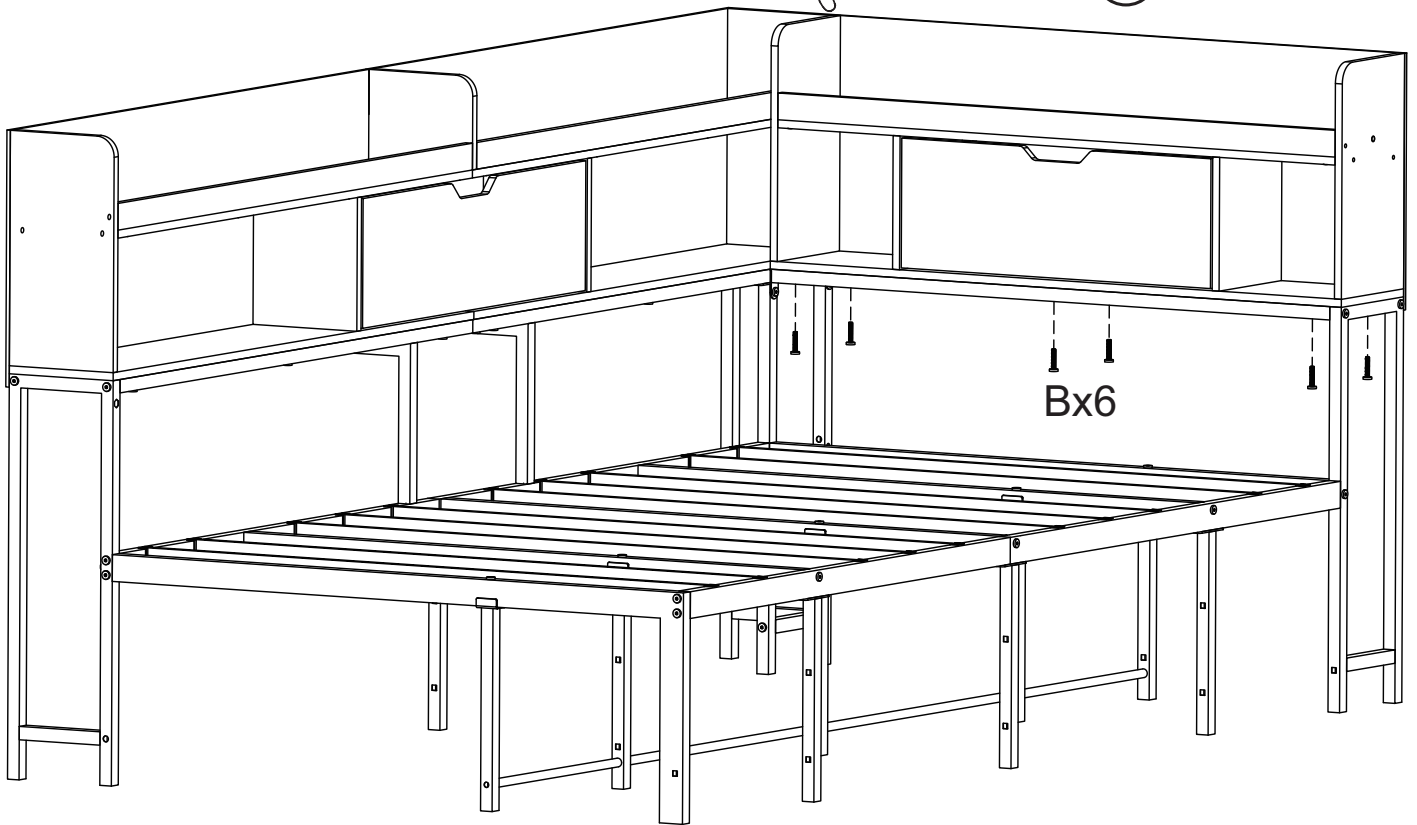
M6x28

6pcs

After alignment, secure the screws in the corresponding positions.



30



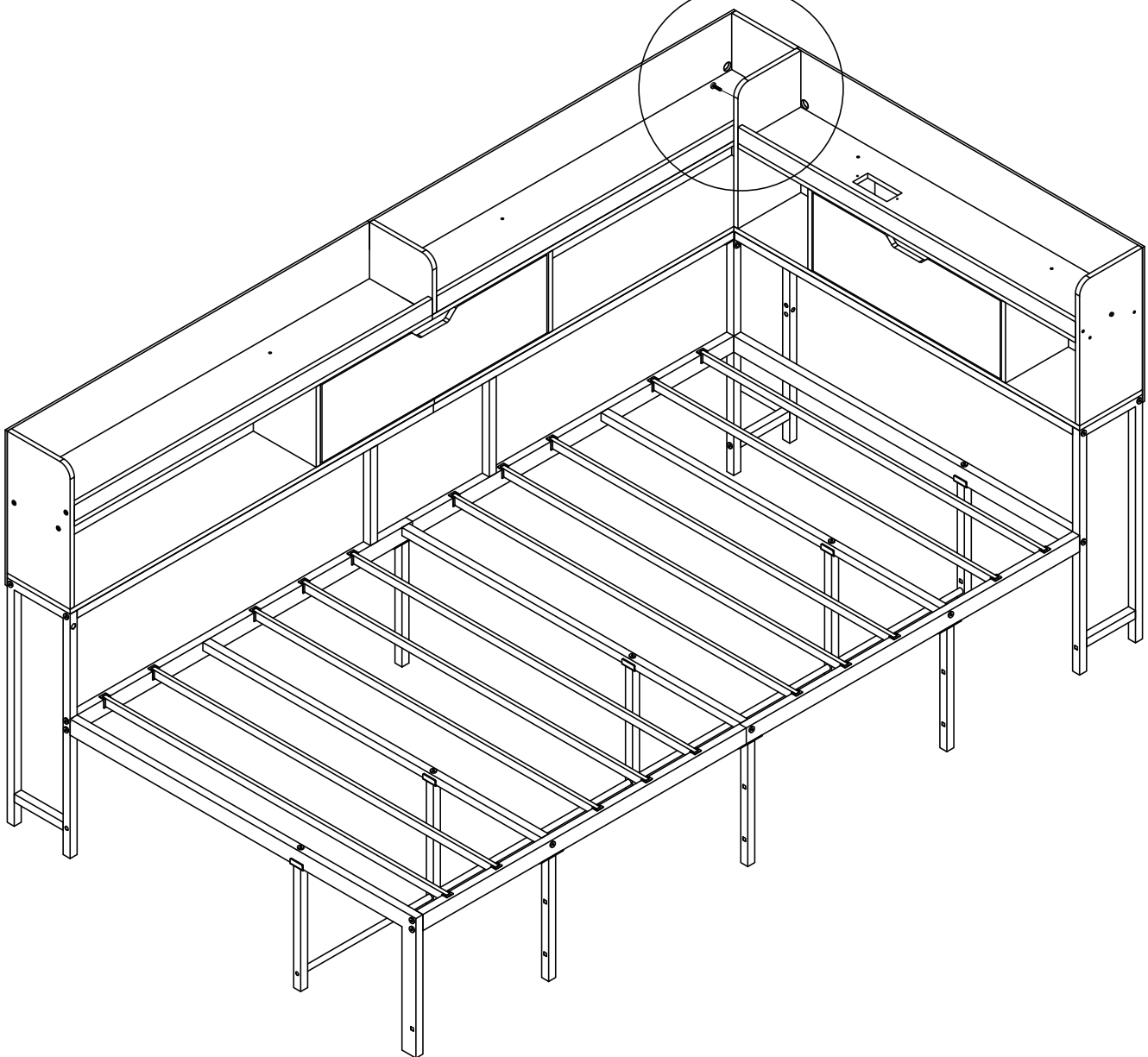
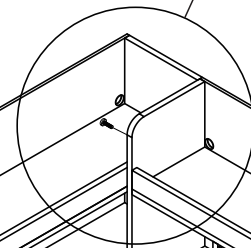
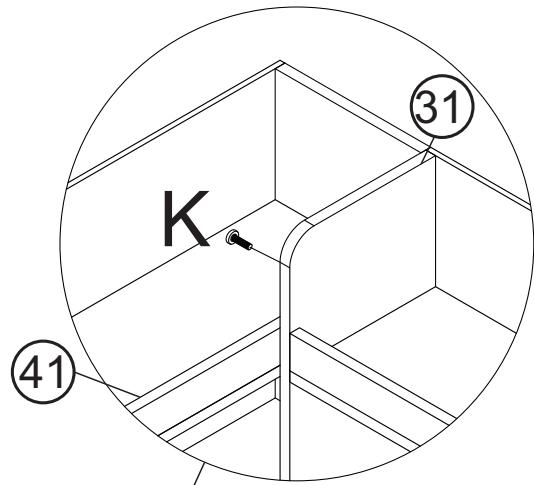
Step 41

K

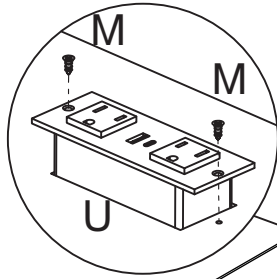


M6x20

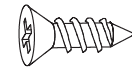
1pc



Step 42



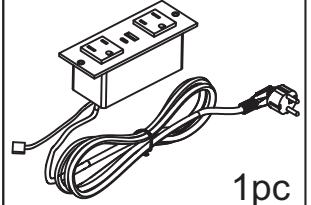
M



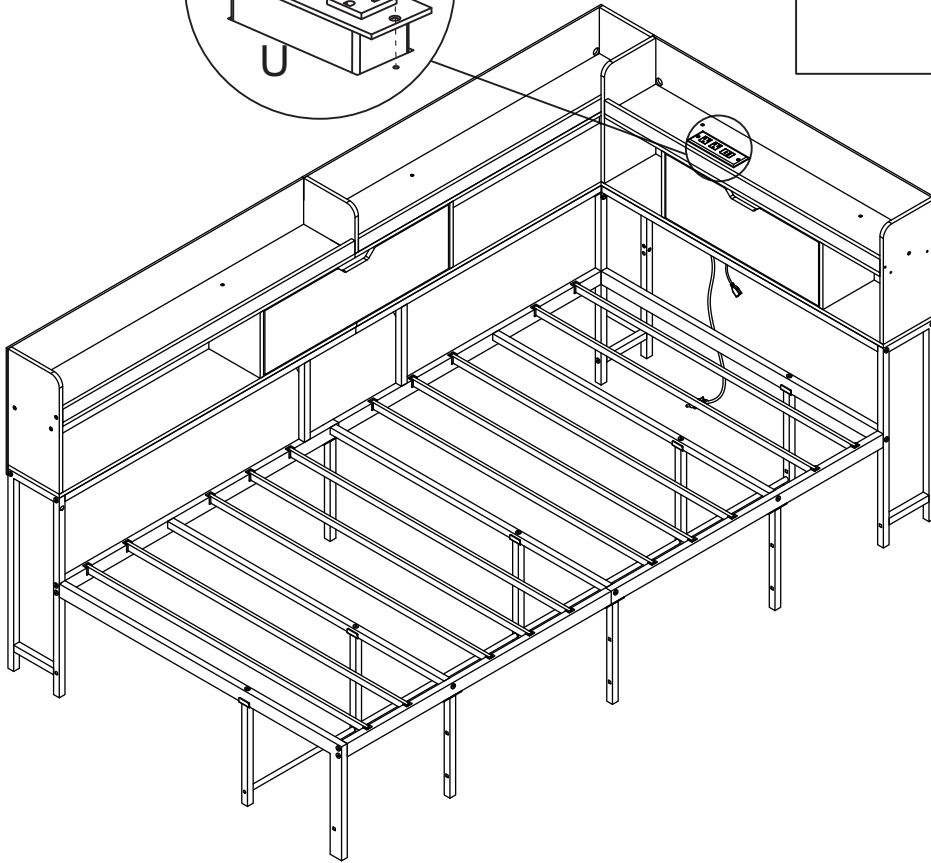
Ø3.5x10

2pcs

U



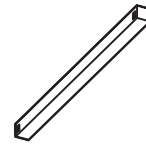
1pc



Step 43

It can snap directly into place.

R

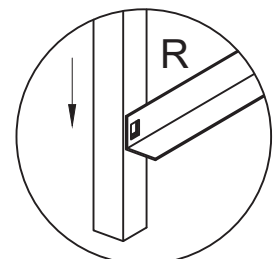
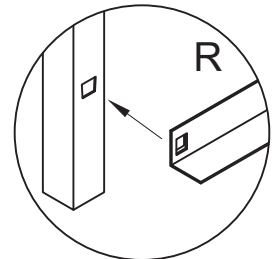
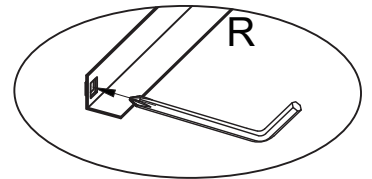
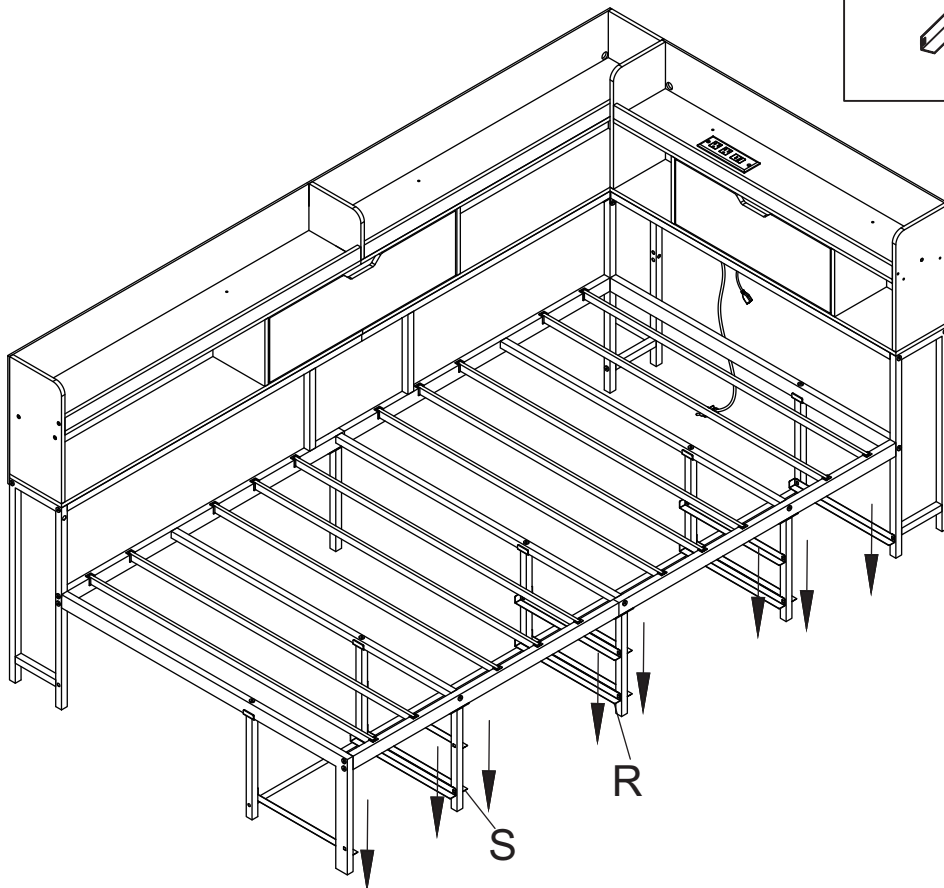


6pcs

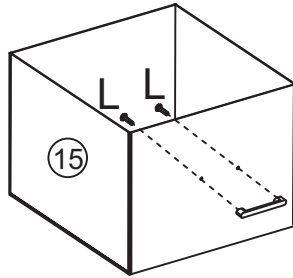
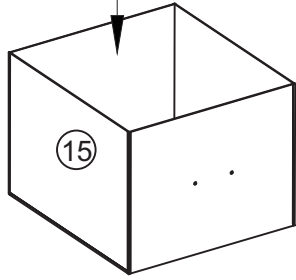
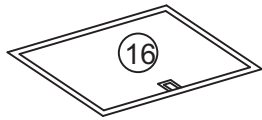
S



6pcs



Step 44



L



M4x10

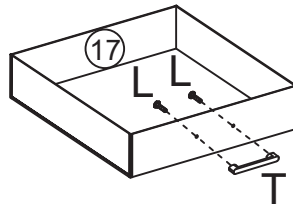
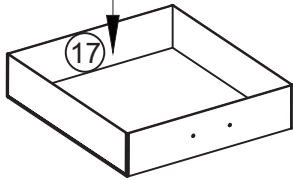
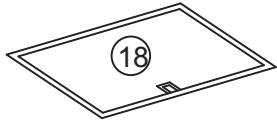
12pcs

T



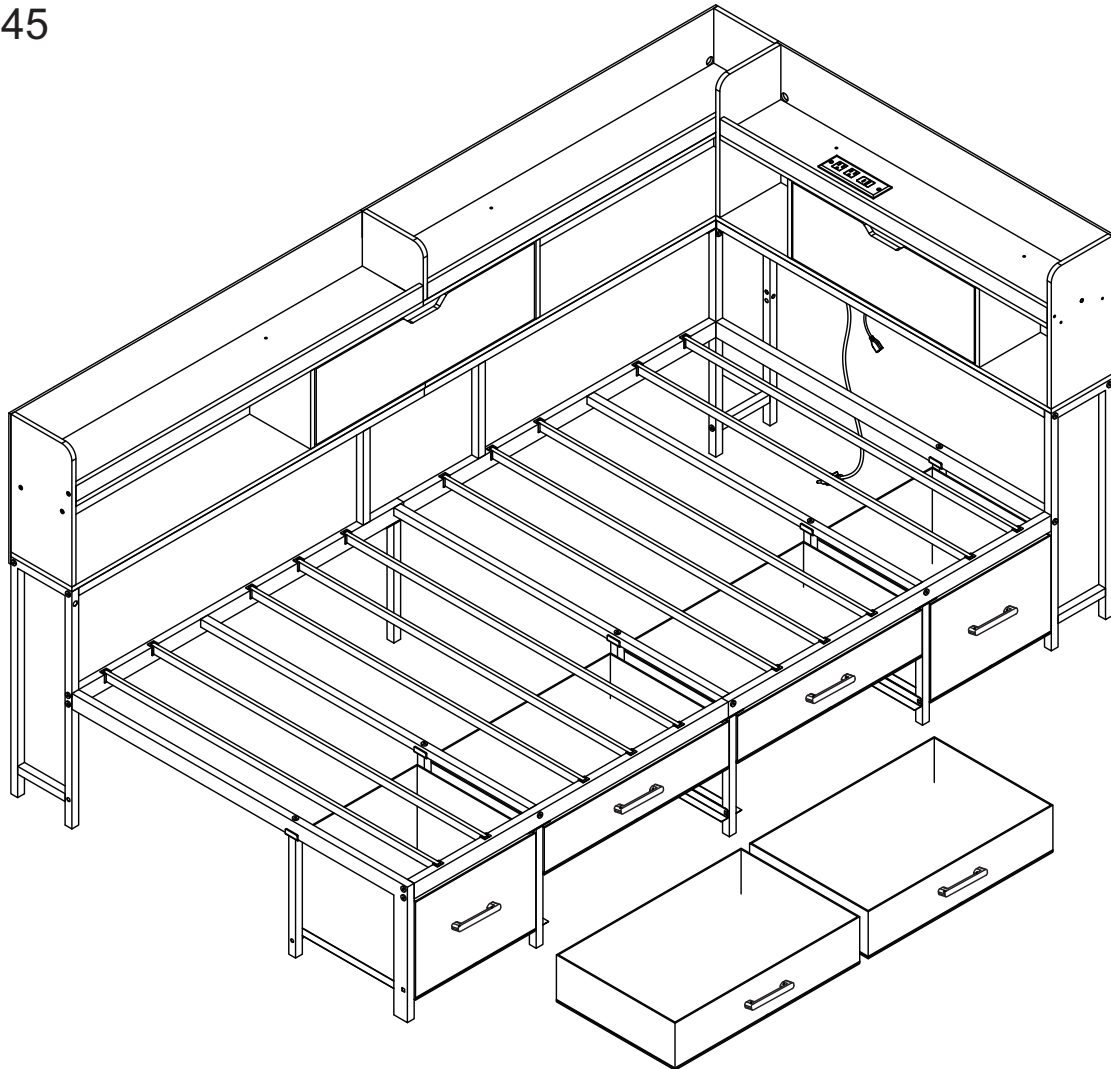
6pcs

T x2



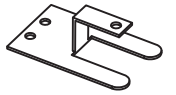
x4

Step 45

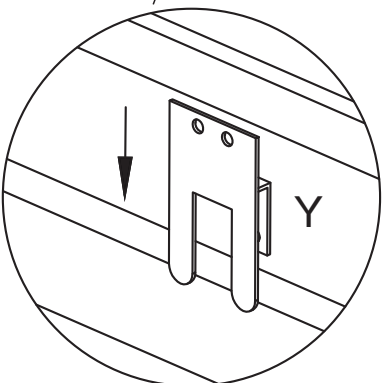
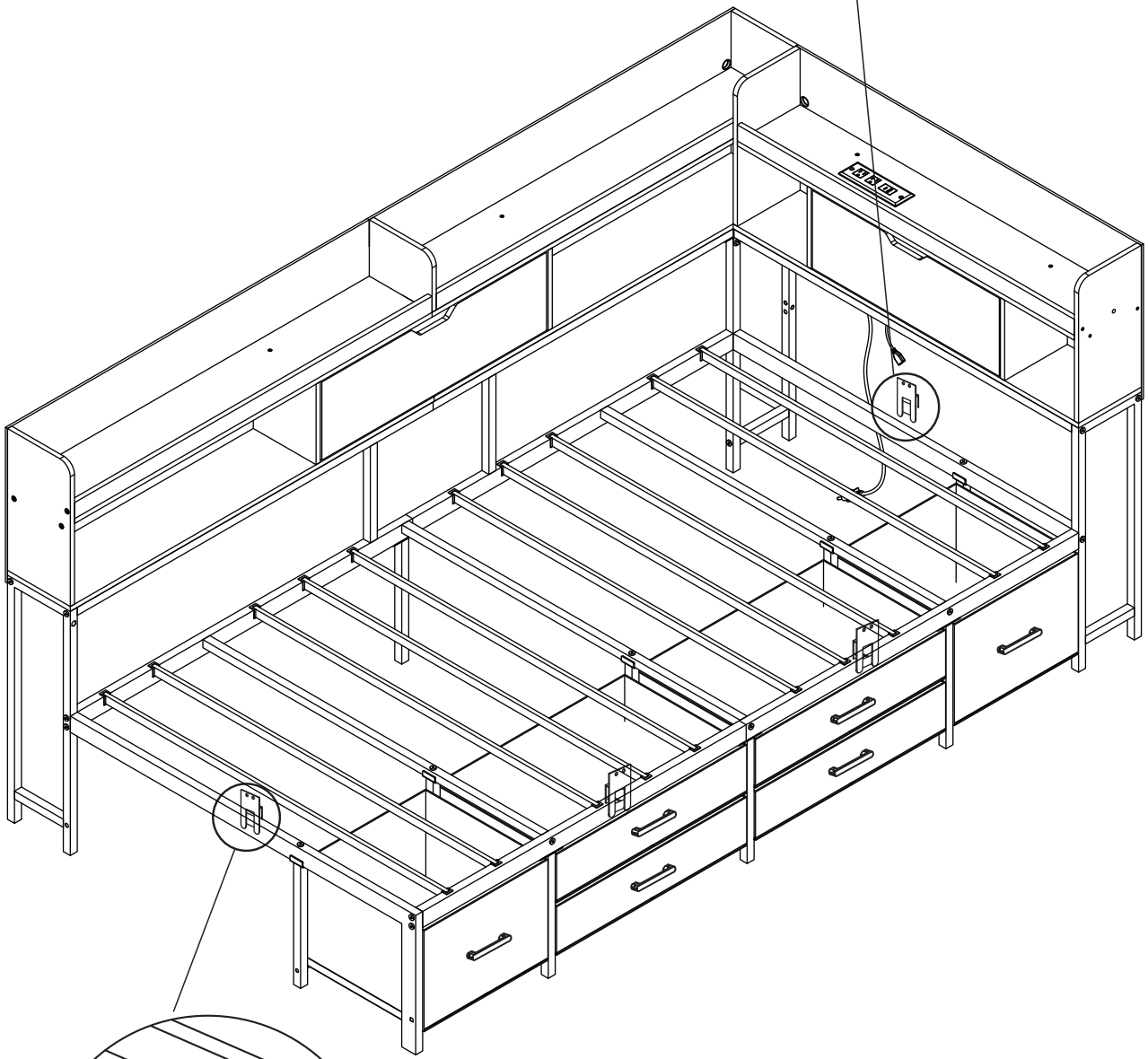
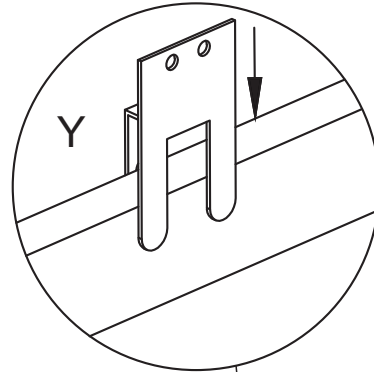


Step 46

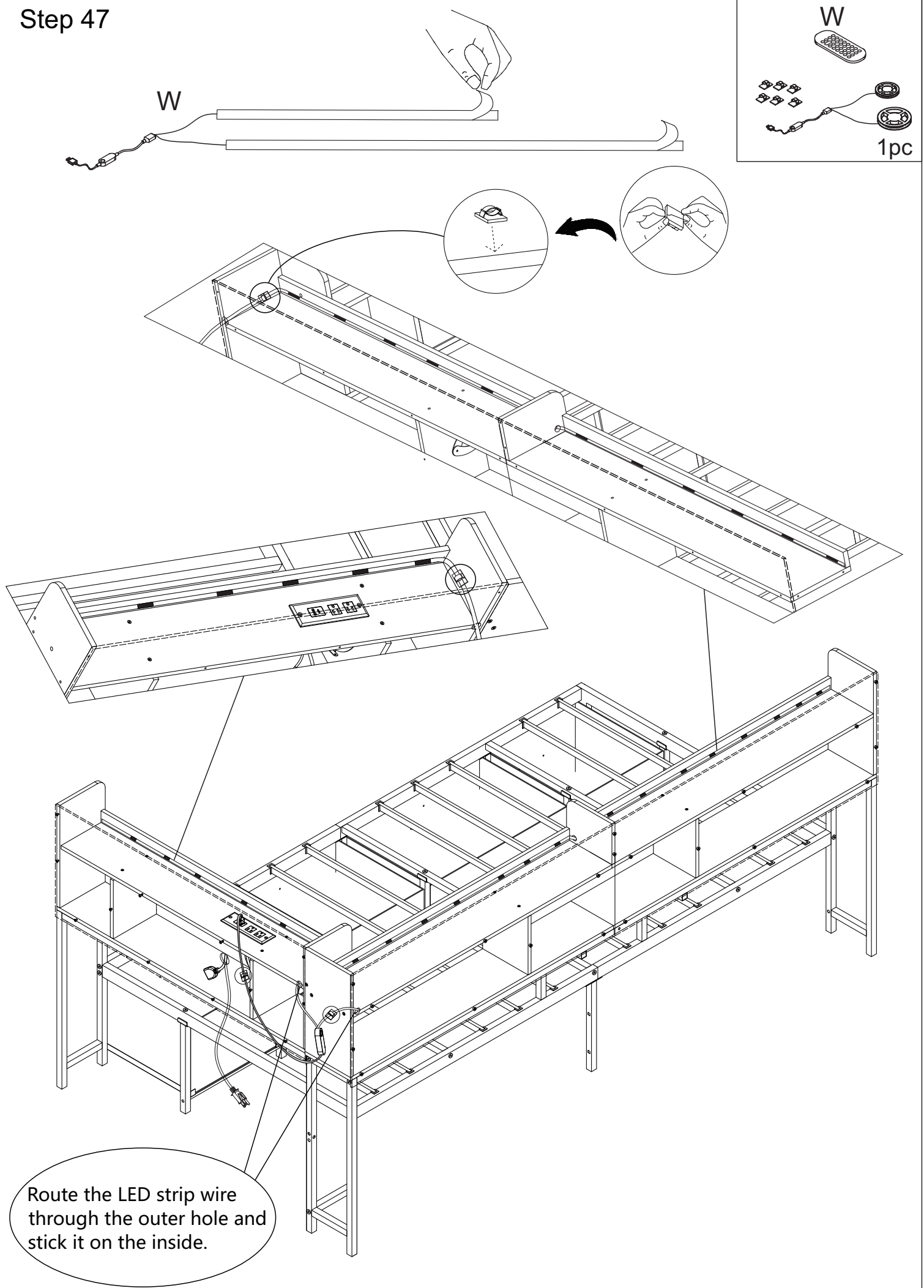
Y



4pcs



Step 47



Step 48

AC



1PCS

Stick the cap stickers (AC) on the holes.

