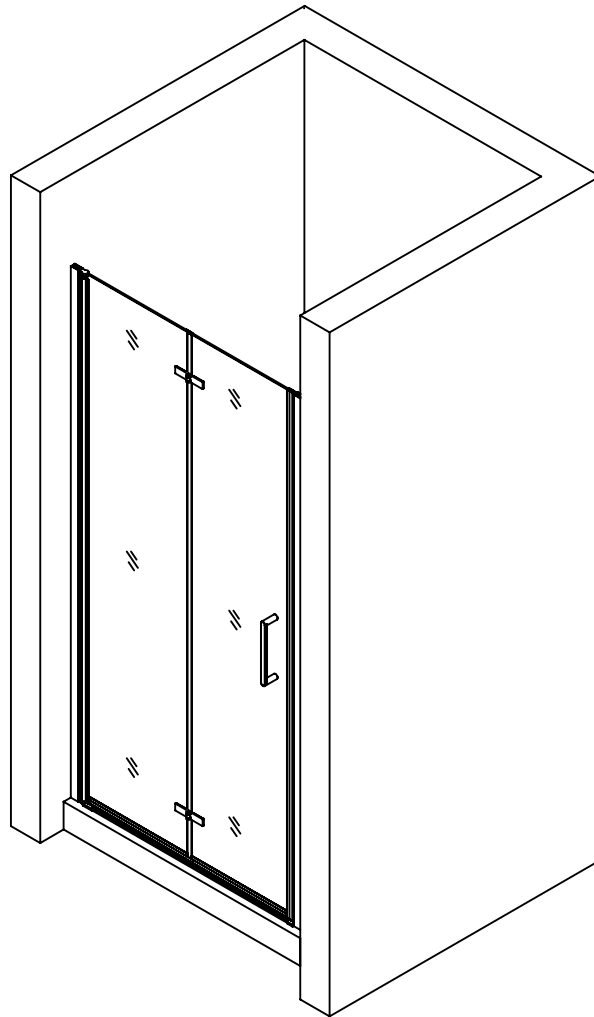


Shower Door Installation Guide

DS02C-2



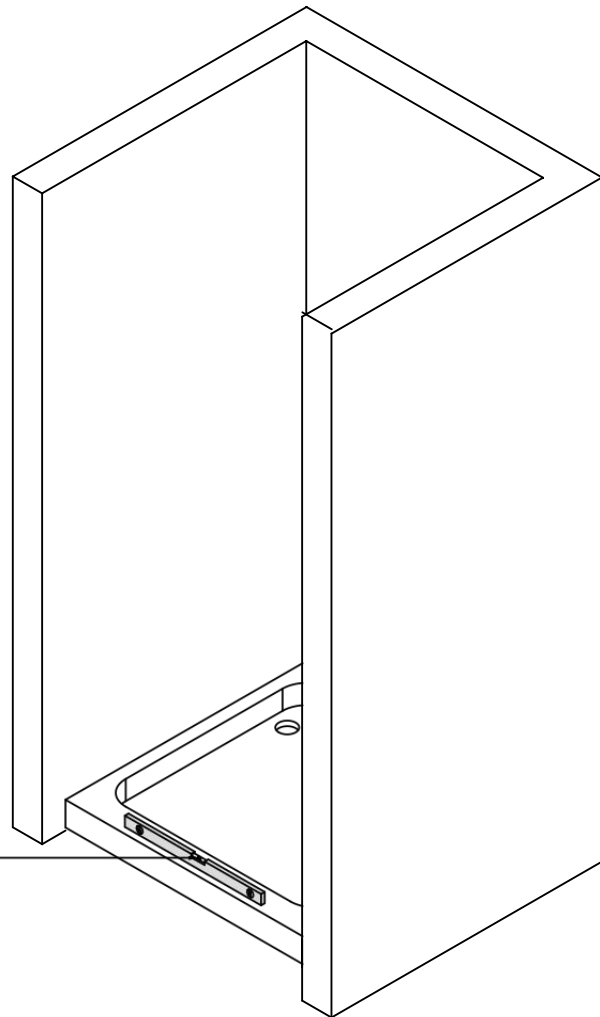
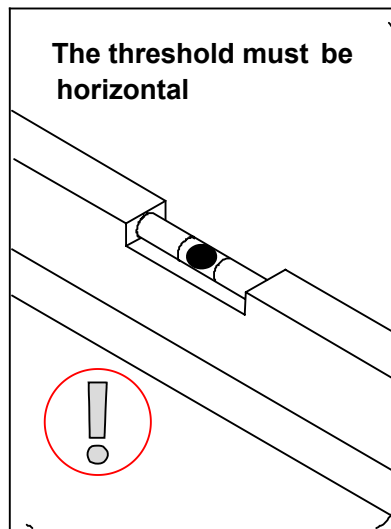
Plz do not just return when meeting difficulties in installation, just contact your seller for help.

Model Specific Preparation

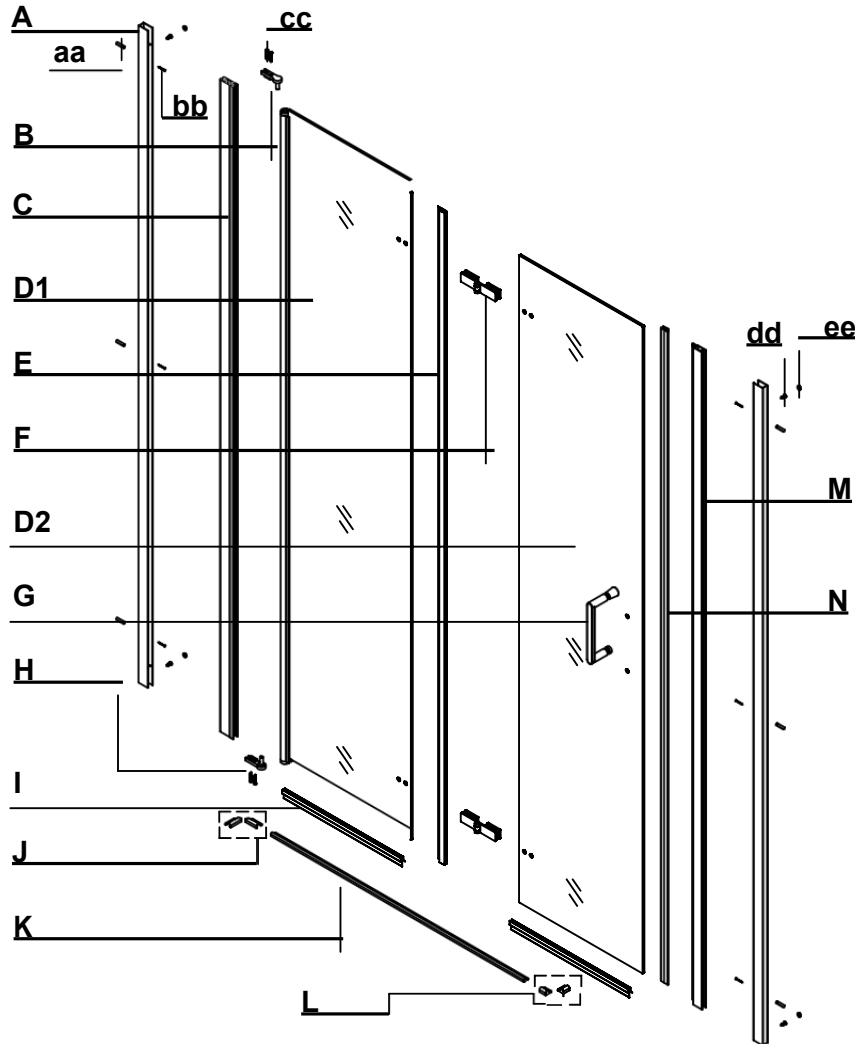


REQUIRED:

Verify that the threshold is level by using a straight edge or a level tool. Adjust the threshold as necessary to ensure it is perfectly horizontal



PACKAGE CONTENT

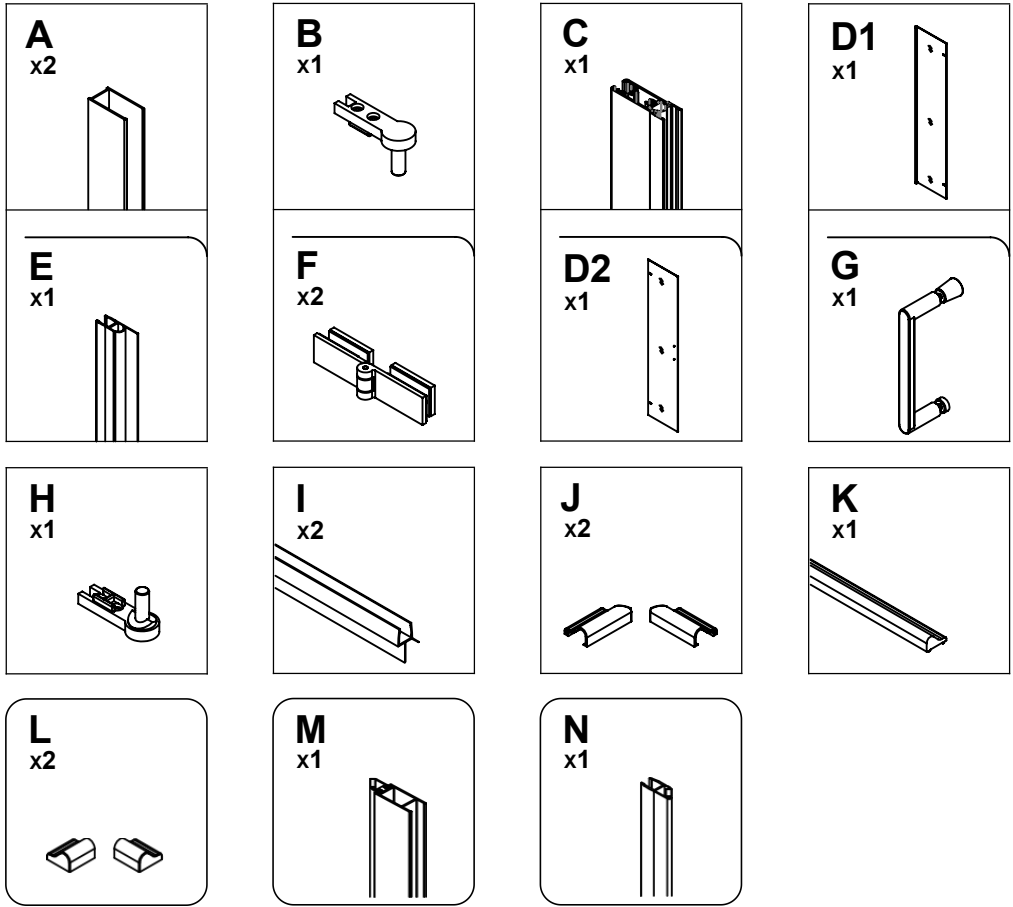


PACKAGE CONTENT

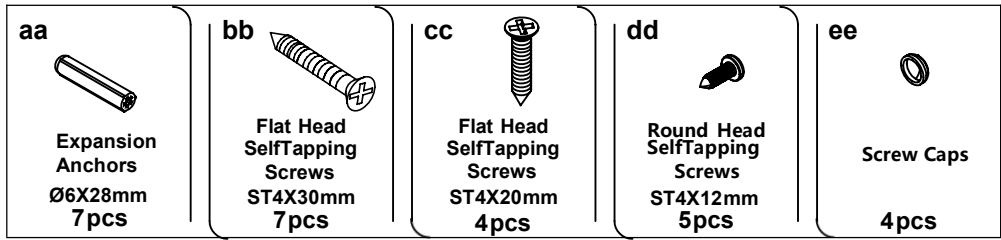
PART#	DESCRIPTION	QTY	PART#	DESCRIPTION	QTY
A	Wall Jamb 1	2	H	Adjustable Pivot Bracket	1
B	Top Pivot Bracket	1	I	Bottom Water Seal Gasket	2
C	Wall Jamb 2	1	J	Water Dam Connector	2
D1	Pivot Panel	1	K	Water Dam Aluminum Strip	1
E	Side Water Seal Gasket	1	L	Water Dam End Cap	2
F	Folding Hinge	2	M	Magnetic Seal Aluminum Channel	1
D2	Swing Panel	1	N	Magnetic Profile Seal	1
G	Handle	1			

NOTE Please inspect all parts for missing items before installation. If any part is missing, please contact us.

PACKAGE CONTENT



HARDWARE CONTENT



Additional spare parts are included.



**Inspect all parts for any missing items prior to installation!
Contact us if any parts are missing.**


TOOLS REQUIRED

Drill Bits



Ø1/4" & Ø5/16" (6 & 8mm) dia.
HSS


Screw Driver



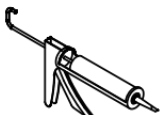
Drill



Level



Silicone




Measuring Tape



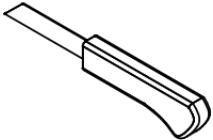
Soft Head Hammer



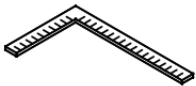
Pencil



Knife



Carpenter's Squarer



**Masonry Drill Bit For Tile
Ø6mm**



Safety Glasses



Gloves



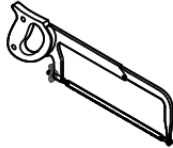
Glass suction Cup



Masking or Painter's Tape



Hack Saw



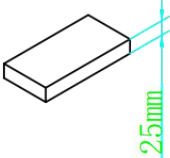
Metal File



**Drill Bit
Ø3mm**



wooden pad



SAFETY INFORMATION

CAUTION

Please carefully read the following important safety information before handling or installing this shower door. There is a risk of serious injury while handling this product.

To minimize these risks, please note:

- Always wear safety glasses and gloves while handling.
- Always follow the installation instructions.
- Inspect the glass for damage before installation.
- Extreme caution should be taken while handling the glass during installation, as the tempered glass may shatter if it comes into contact with a hard surface.
- Do not cut or modify the tempered glass, as it will shatter if cut.
- Carefully remove the product from its packaging and keep the packaging until the installation is complete.
- Inspect all parts for damage or missing items. If there is any damage or missing parts prior to installation, please contact your seller for help.
- Cover the drain with tape to prevent the loss of small parts.
- The shower base and finished walls should be installed before beginning the shower door installation.
- During installation, protect the shower floor with a drop cloth to prevent damage.
- This product should be installed by two people who are familiar with construction requirements. Professional installation is recommended!
- Keep this installation manual for future reference.

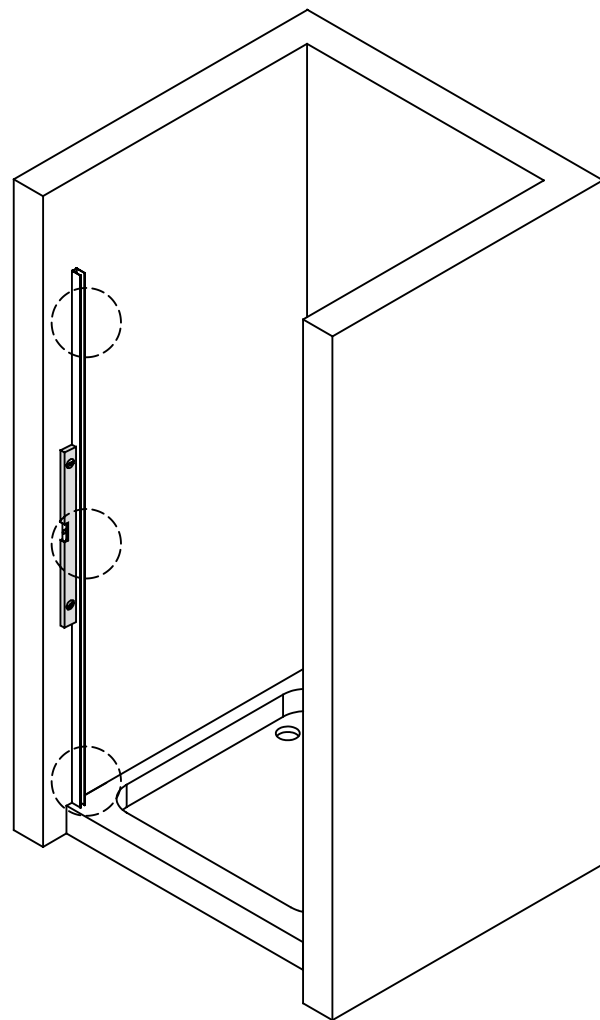
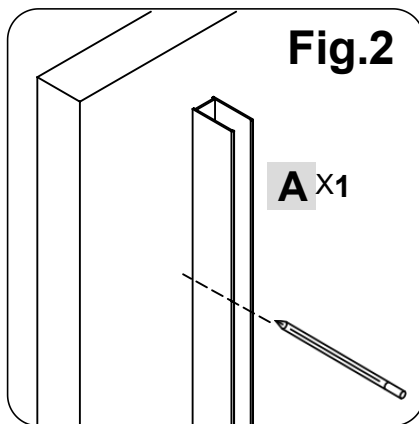
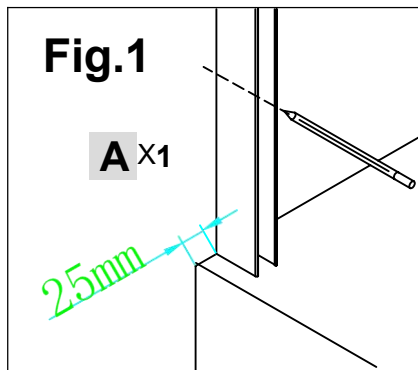
NOTE: Two people should perform this installation.



1 Install **Wall Jamb 1 (A)**

NOTE

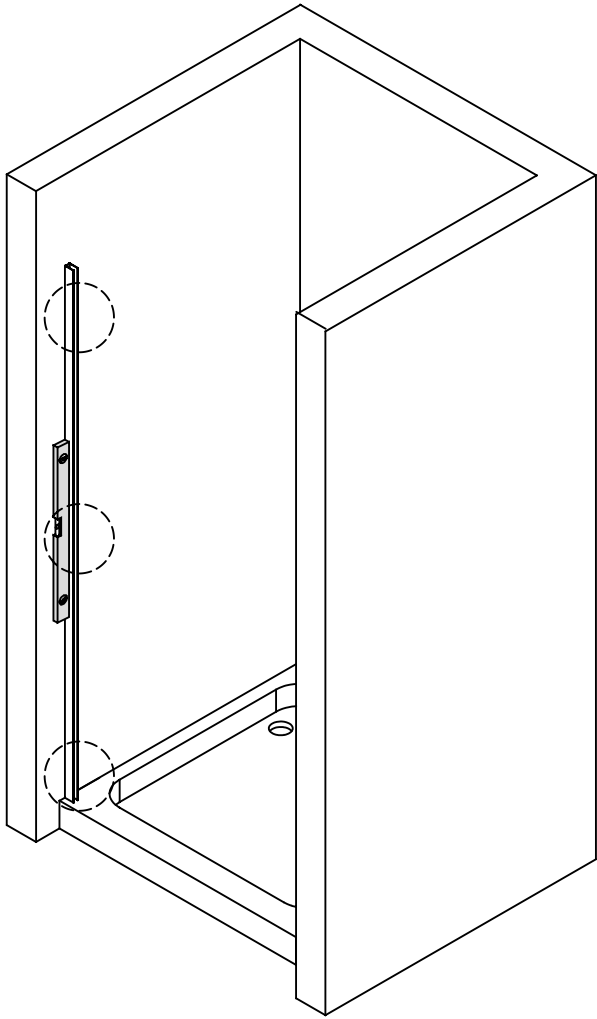
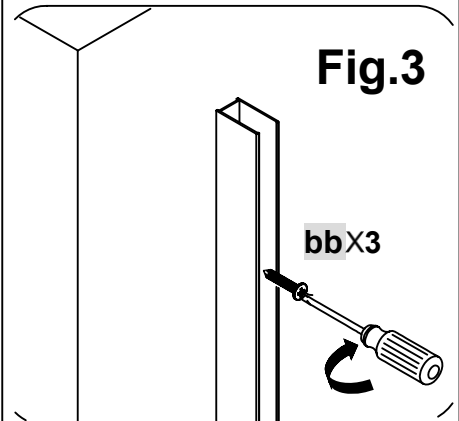
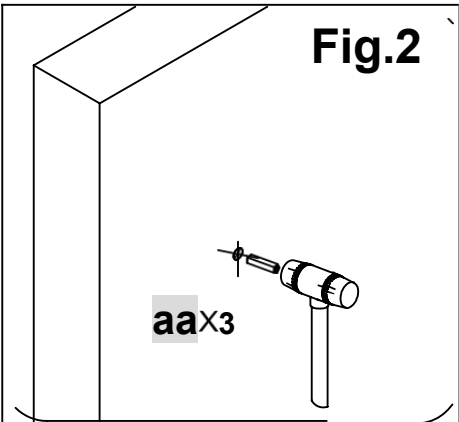
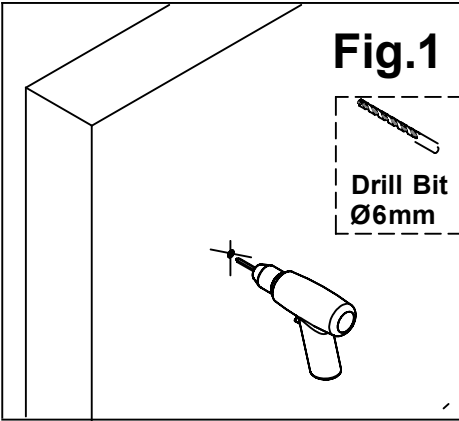
1. Position **Wall Jamb 1 (A)** 1" (25mm) from the edge. Use a level to ensure vertical alignment.
2. Mark drilling points on the wall through the **Wall Jamb 1 (A)** holes.



2 Secure Wall Jamb 1 (A)

NOTE

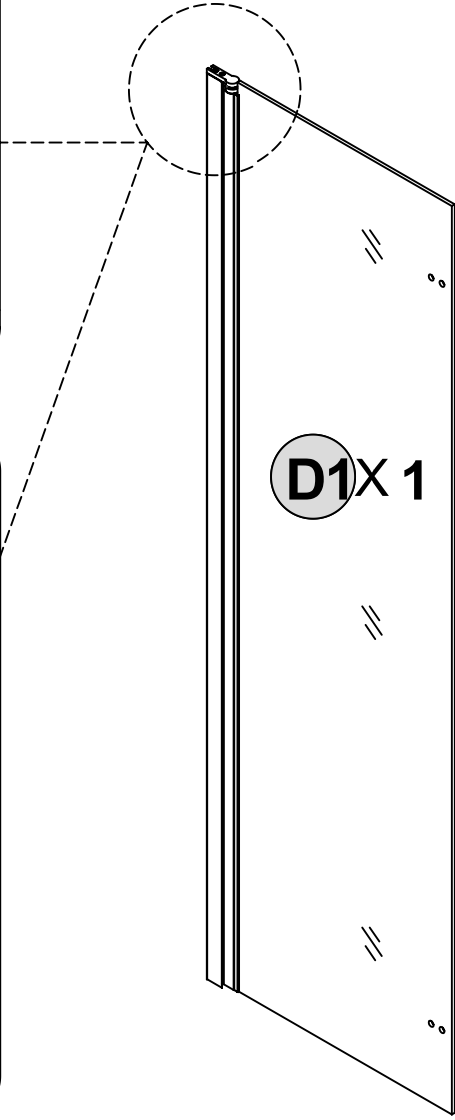
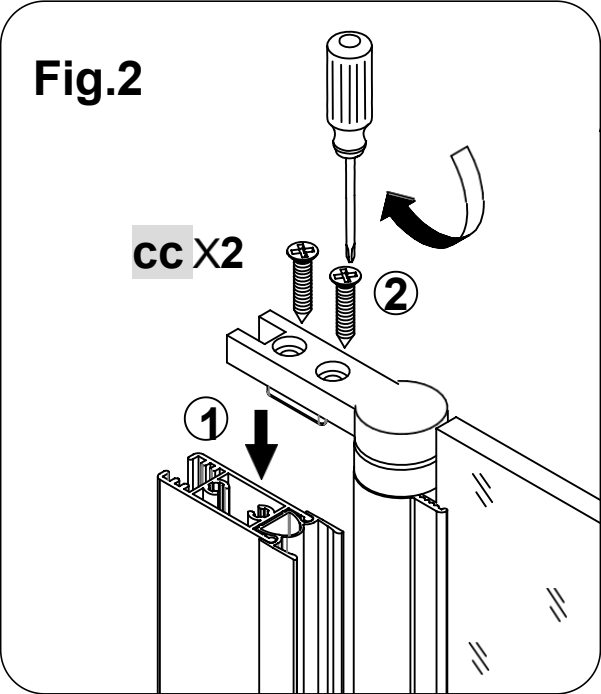
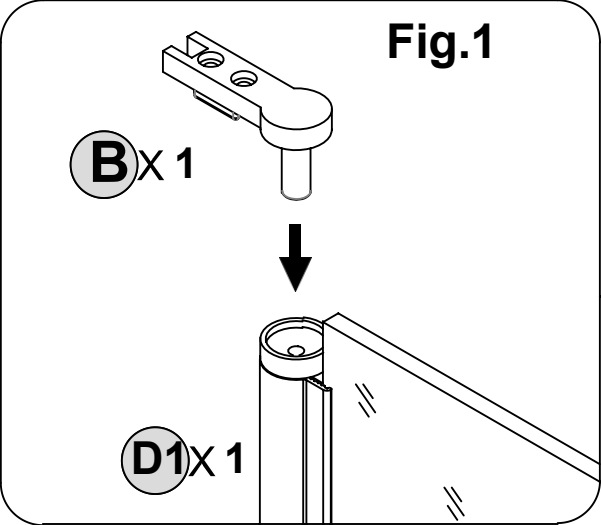
- 1.Remove the **Wall Jamb 1 (A)** and drill $\text{\O}6\text{mm}$ holes at marked points.
- 2.Insert **expansion anchors (aa)** into the holes using a softhead hammer.
- 3.Secure **Wall Jamb 1 (A)** with **flat head selftapping screws (bb)**.
Ensure vertical alignment.



3 Install **Top Pivot Bracket (B)**

NOTE

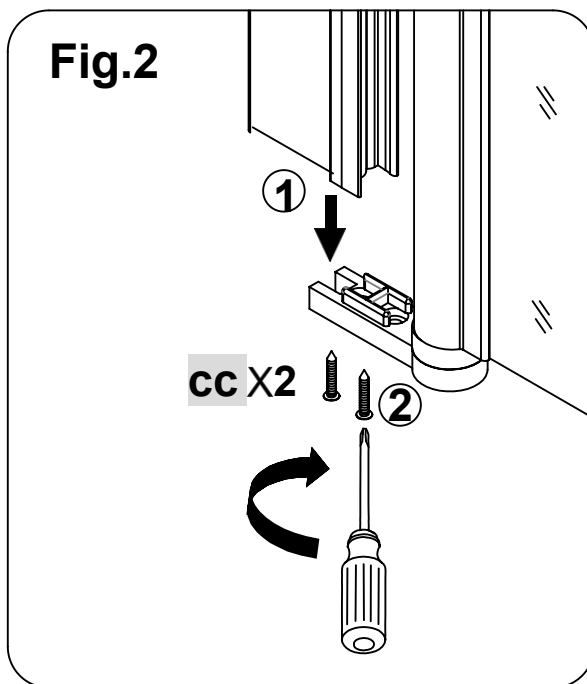
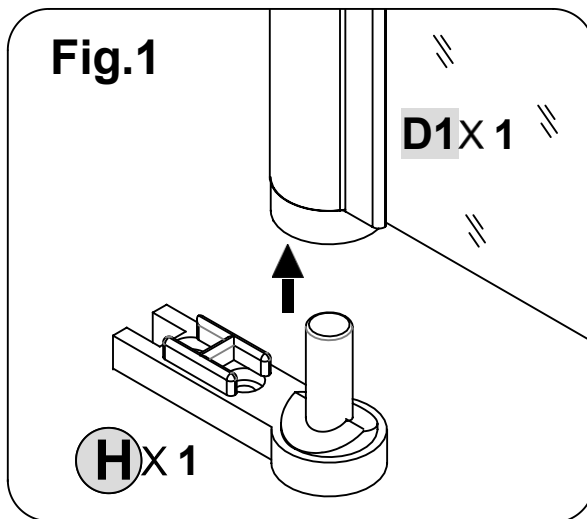
- 1. Insert **Top Pivot Bracket (B)** into the upper hole of **Pivot Panel (D1)**. Pay attention to distinguish the **Top Pivot Bracket (B)** and **Adjustable Pivot Bracket (H)**.
- 2. Attach the **Pivot Bracket (B)** slot with **Wall Jamb 2 (C)** and secure using **flat head selftapping screws (cc)**.



4 Install Adjustable Pivot Bracket (H)

NOTE

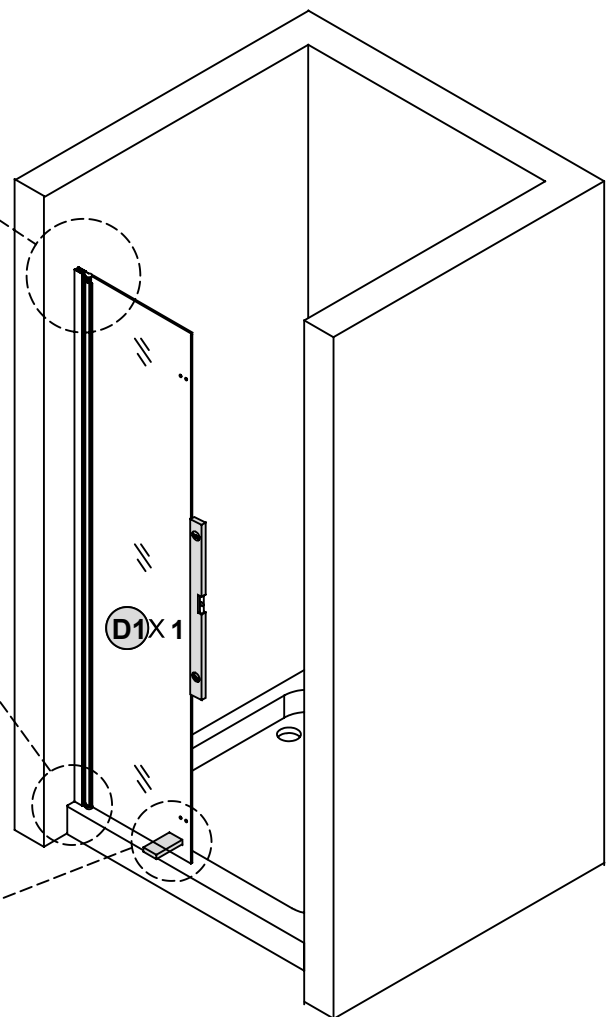
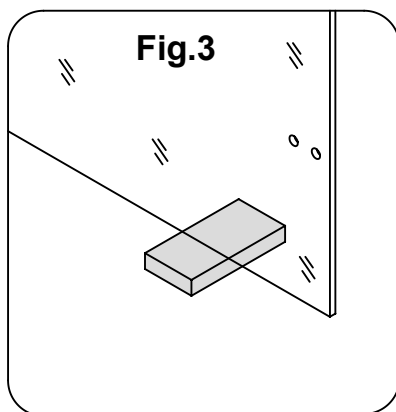
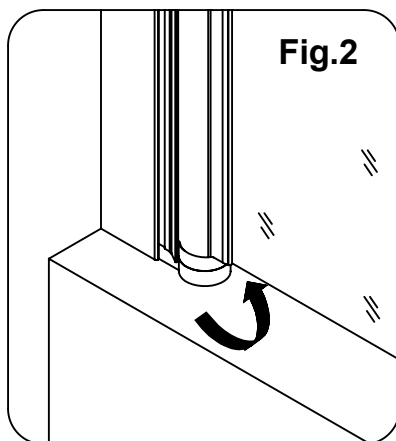
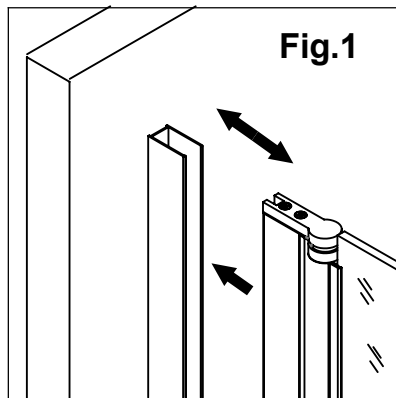
1. Insert **Adjustable Pivot Bracket (H)** into the bottom hole of **Pivot Panel (D1)**.
2. Attach the **Adjustable Pivot Bracket (H)** slot with **Wall Jamb 2 (C)** and secure using **flat head selftapping screws (cc)**.



5 Install **Pivot Panel (D1)**

NOTE

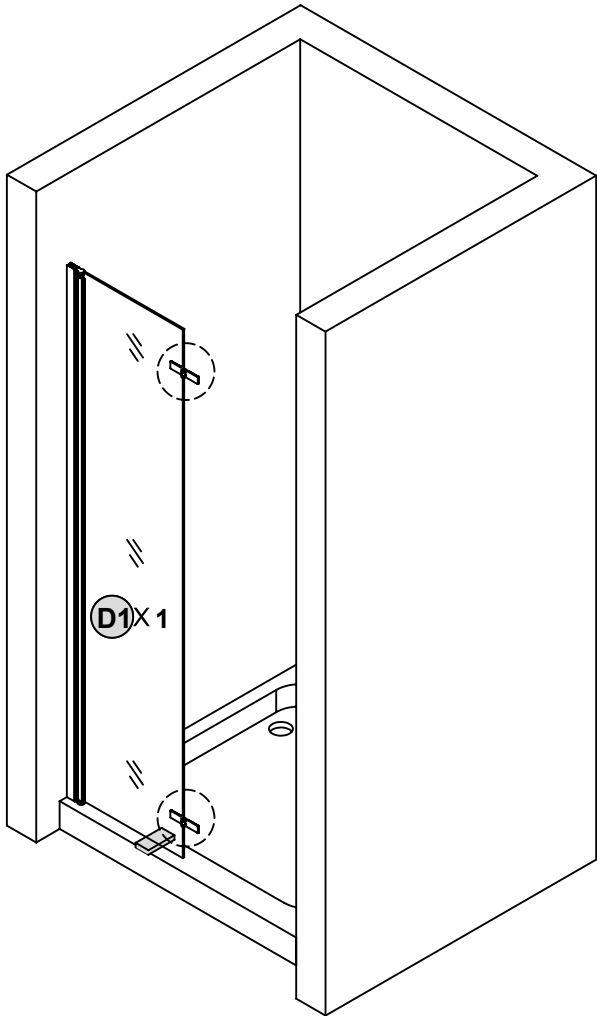
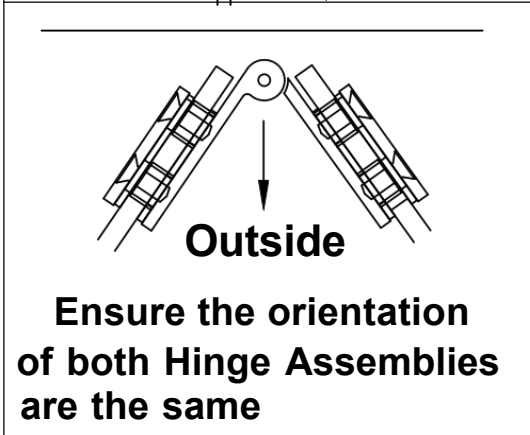
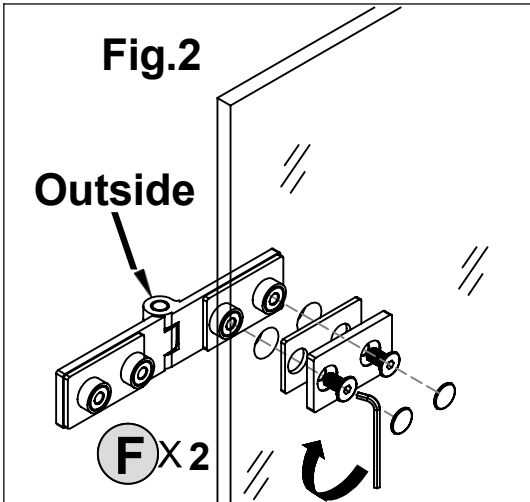
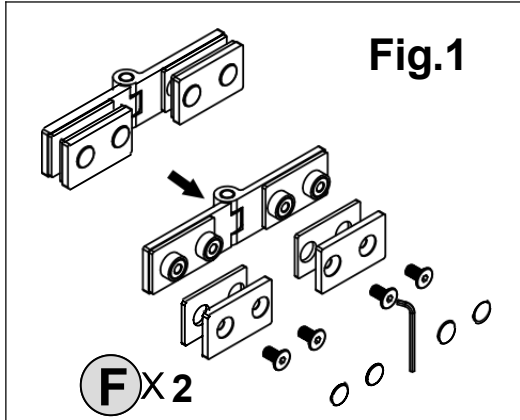
1. Lift **Pivot Panel (D1)** into **Wall Jamb 1 (A)**. Adjust panel width as needed.
2. Rotate the **Pivot Panel (D1)** 180° to align with the opening.
3. Place wooden shims under the **Pivot Panel (D1)** for clearance. Adjust to ensure level and vertical alignment.



6 Attach **Folding Hinges (F)**

NOTE

- 1. Loosen **Folding Hinges (F)** components using a hex key.
- 2. Install **Folding Hinges (F)** on **Pivot Panel (D1)** and secure with flat head screws. Attach decorative caps. Use all rubber washers to protect the glass from scratches during the installation.

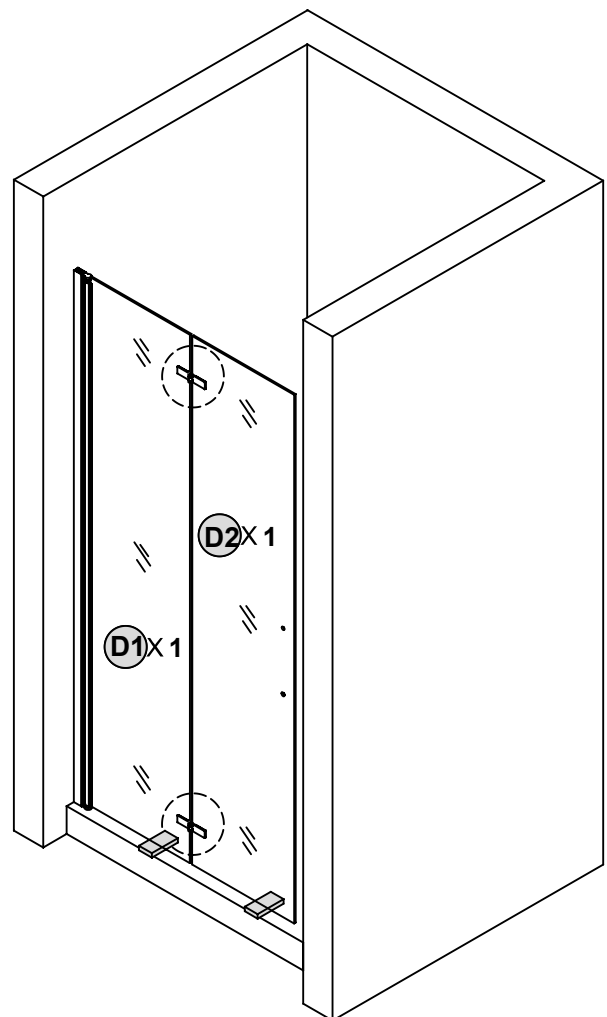
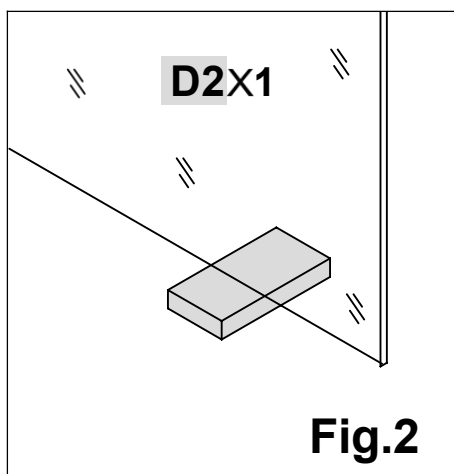
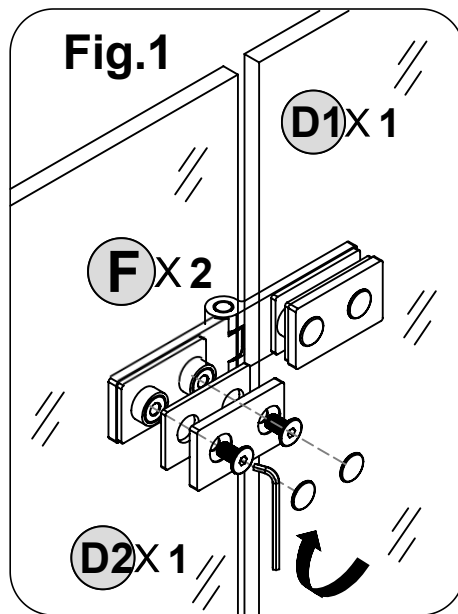


NOTE

7 Install **Swing Panel (D2)**

NOTE

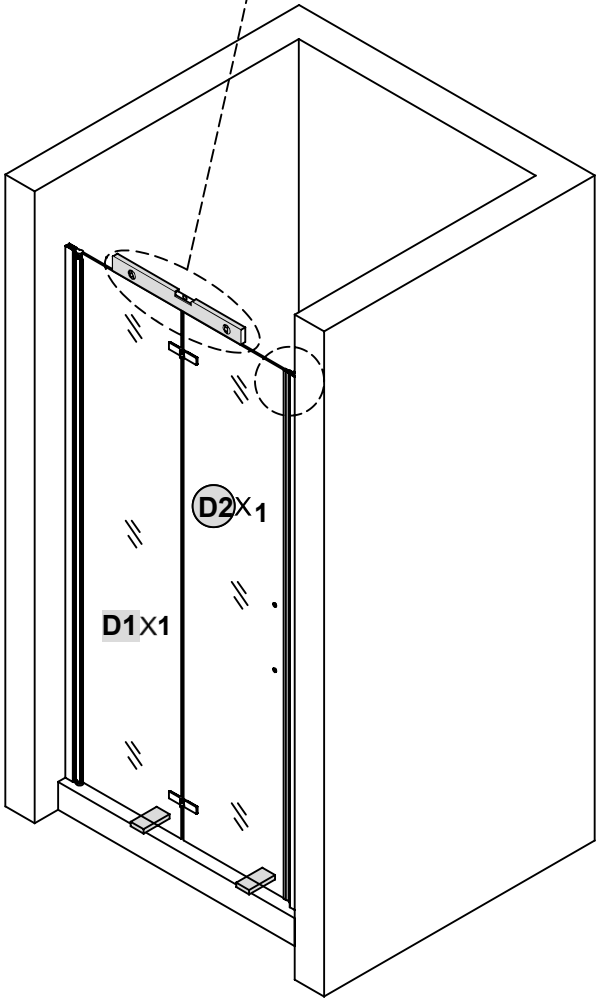
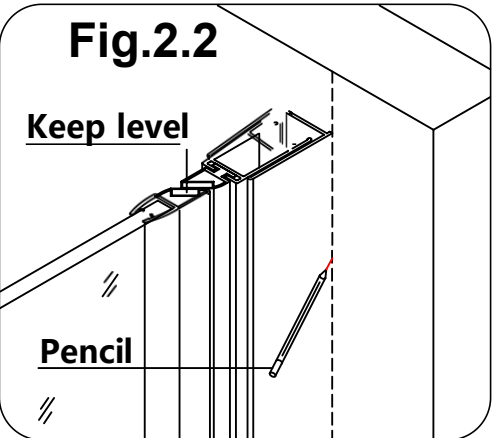
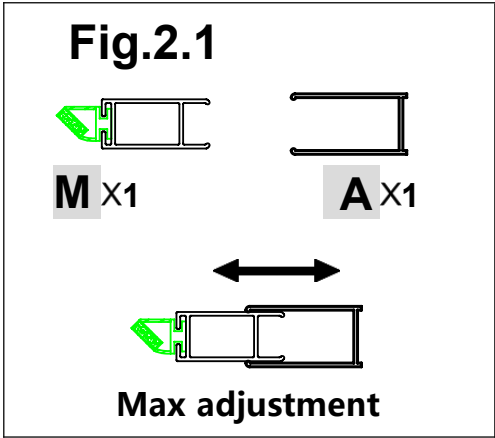
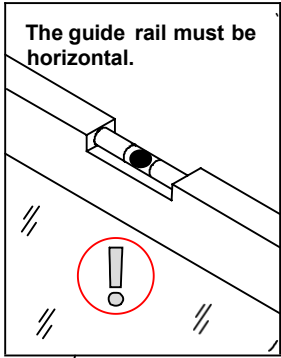
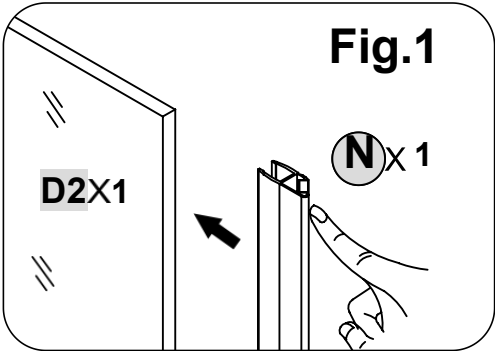
1. Lift **Swing Panel (D2)** to align with **Folding Hinges (F)**. Secure using a hex key. Attach decorative caps. Use all rubber washers to protect the glass from scratches during the installation.
2. Place wooden shims under the **Swing Panel (D2)** for clearance and adjust alignment.



8 Install Magnetic Profile Seal (N)

NOTE

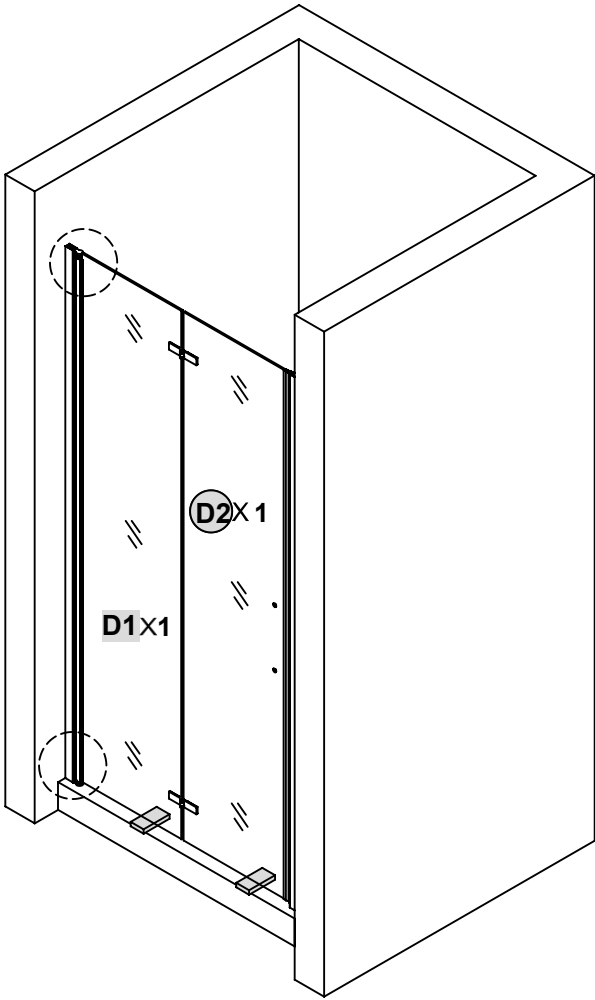
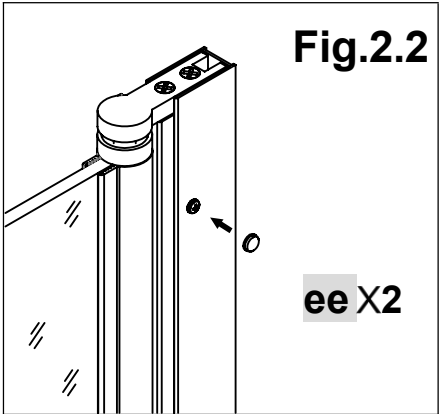
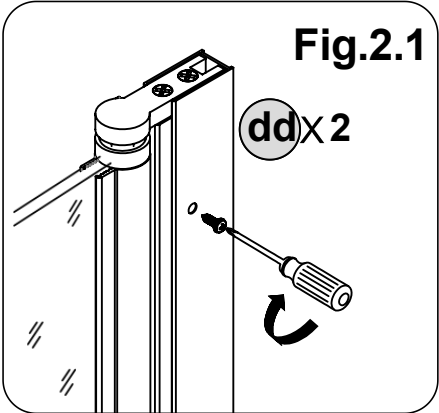
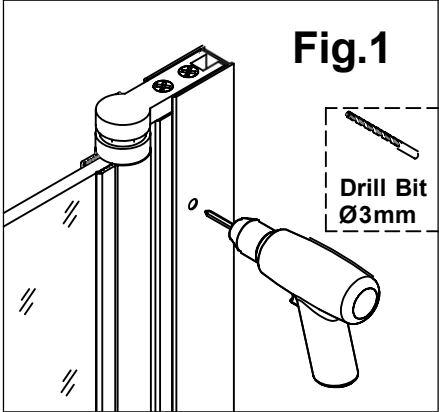
- 1. Attach **Magnetic Profile Seal (N)** to **Swing Panel (D2)**.
- 2. Before fixing the **Pivot Panel (D1)**, combine the **Wall Jamb 1 (A)** with **Magnetic Seal Aluminum Channel (M)**. Make sure all sections are level and smooth, then mark the edge of **Wall Jamb 1 (A)** with a pencil.



9 Connect **Wall Jamb 1 (A)** and **Pivot Panel (D1)**

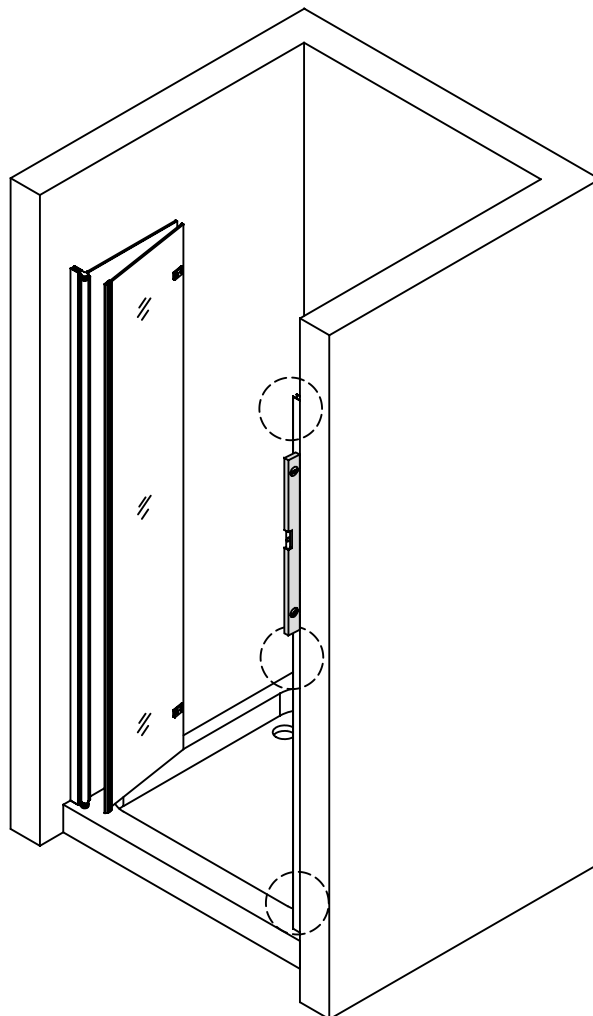
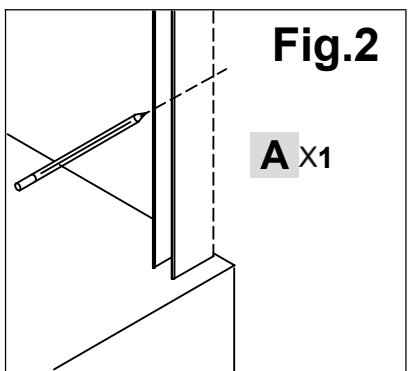
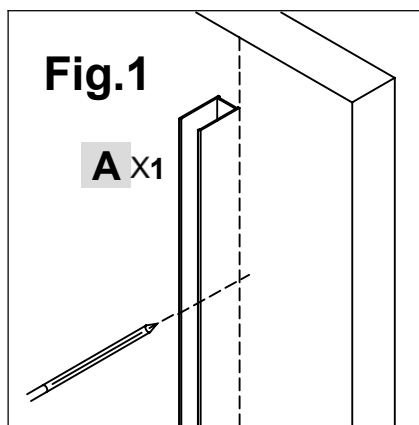
NOTE

- 1. Drill $\varnothing 3\text{mm}$ holes through **Wall Jamb 1 (A)**.
- 2. Secure using **round head selftapping screws (dd)**. Attach **screw caps (ee)**.



10 Install **Wall Jamb 1 (A)****NOTE**

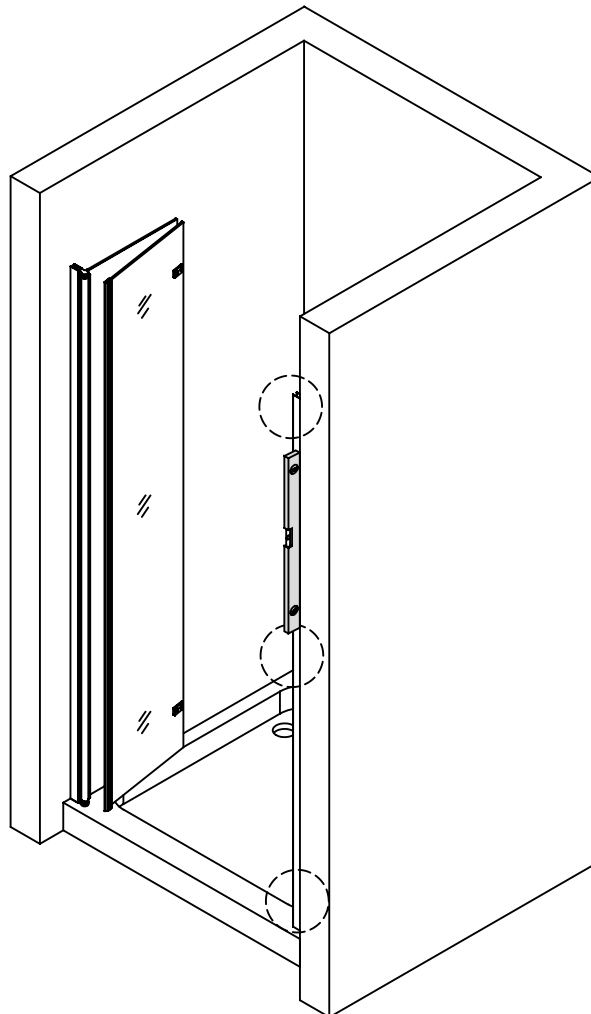
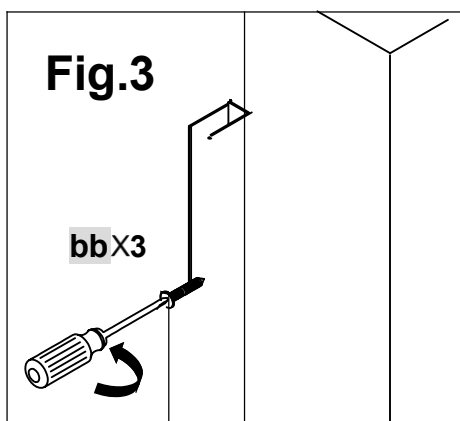
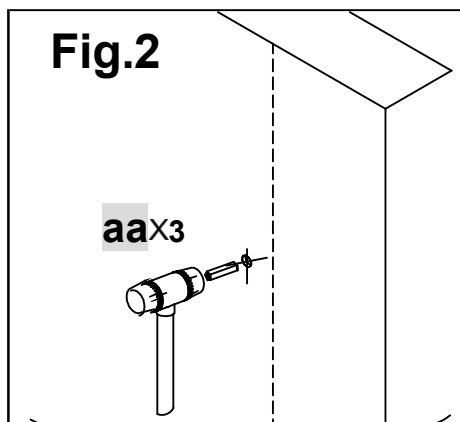
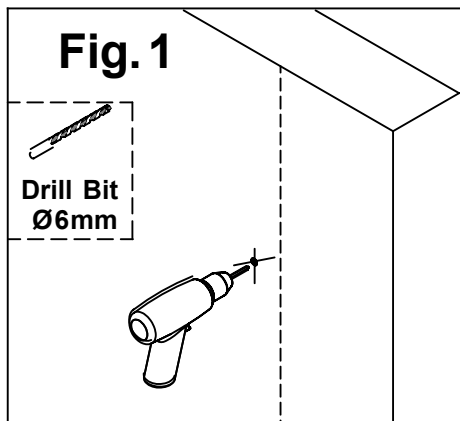
1. Align the **Wall Jamb 1 (A)** with the marked position. Use a level to ensure vertical alignment.
2. Mark drilling points on the wall through the **Wall Jamb 1 (A)** holes.



11 Secure Wall Jamb 1 (A)

NOTE

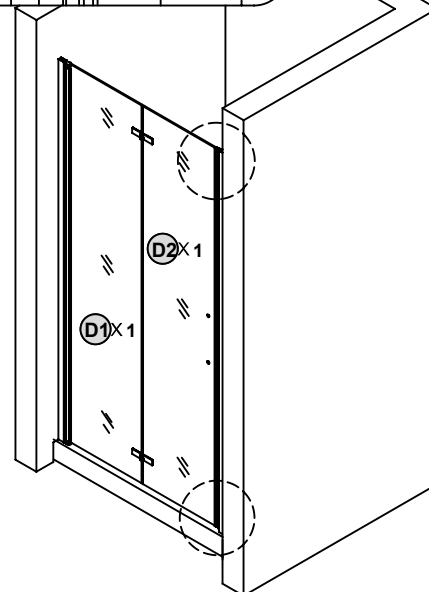
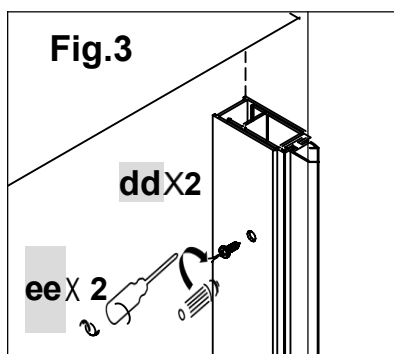
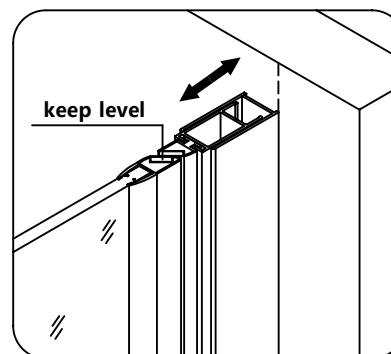
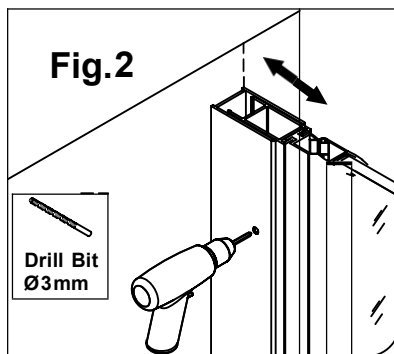
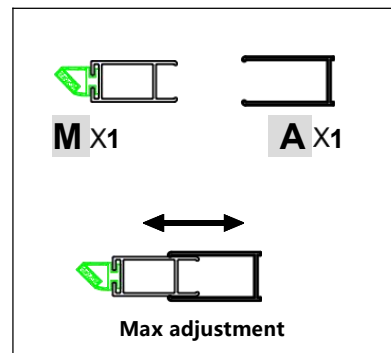
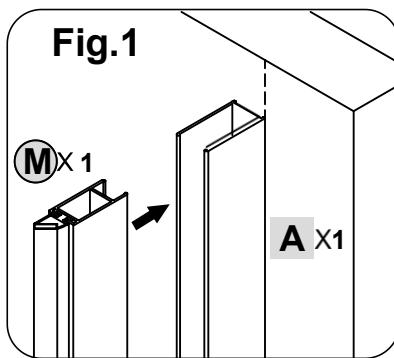
1. Remove the **Wall Jamb 1 (A)** and drill $\text{\O}6\text{mm}$ holes at marked points.
2. Insert **expansion anchors (aa)** into the holes using a softhead hammer.
3. Secure **Wall Jamb 1 (A)** with **flat head selftapping screws (bb)**.
Ensure vertical alignment.



12 Install the **Magnetic Seal Aluminum Channel (M)**, and connect the **Wall Jamb 1 (A)** and the (M)

NOTE

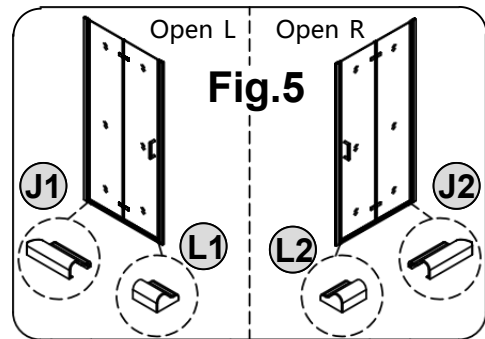
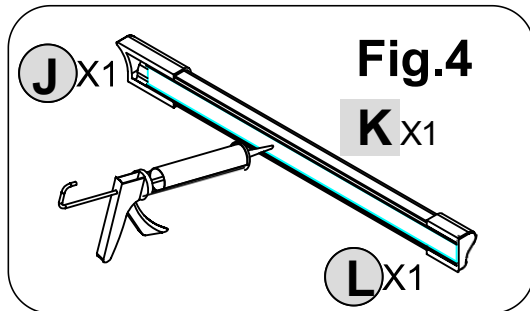
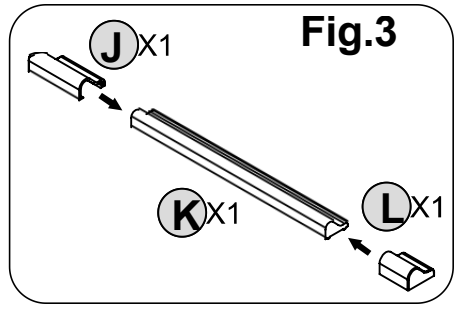
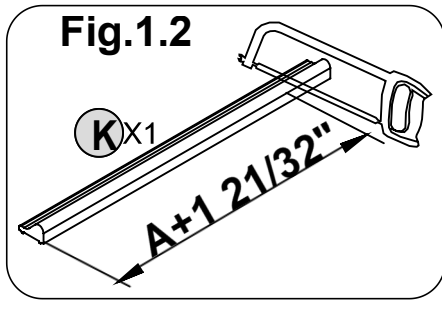
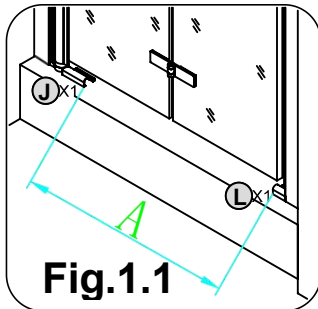
1. Clip the **Magnetic Seal Aluminum Channel (M)** into **Wall Jamb 1 (A)**.
2. Drill $\varnothing 3\text{mm}$ holes through **Wall Jamb 1 (A)**.
3. Secure using **round head selftapping screws (dd)**. Attach **screw caps (ee)**.



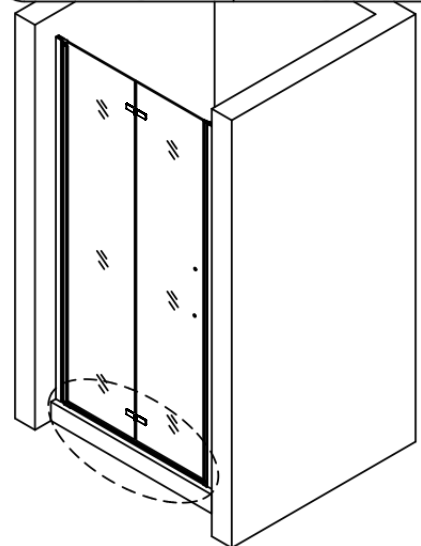
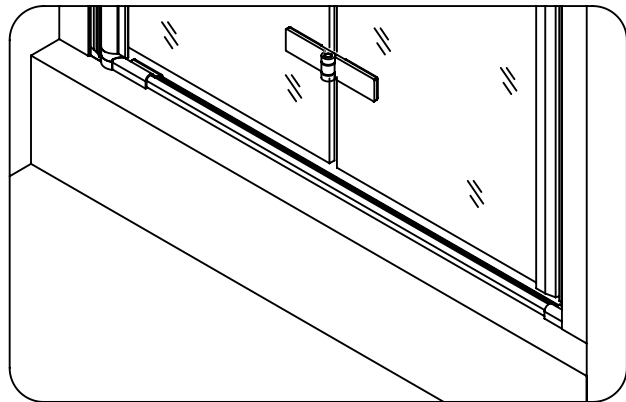
13 Install Water Dam Aluminum Strip (K)

NOTE

1. Place **Water Dam Connectors (J)** and **End Caps (L)** at both ends of the **Aluminum Strip (K)**.
2. Measure and cut the **Water Dam Aluminum Strip (K)** excess ($A+121/32''$) (42mm).
3. Put **Water Dam Connectors (J)** and **End Caps (L)** into the both ends of **Water Dam Aluminum Strip (K)**.
4. Apply silicone sealant to the bottom of **Water Dam Connectors (J)** **Water Dam Aluminum Strip (K)** and **End Caps (L)**.
(Note: The **Water Dam Connectors (J)** and the **End Caps (L)** are divided into left and right types. The **Water Dam Connectors (J)** and the **End Caps (L)** is selected on site according to the installation method. As shown in Figure 5.



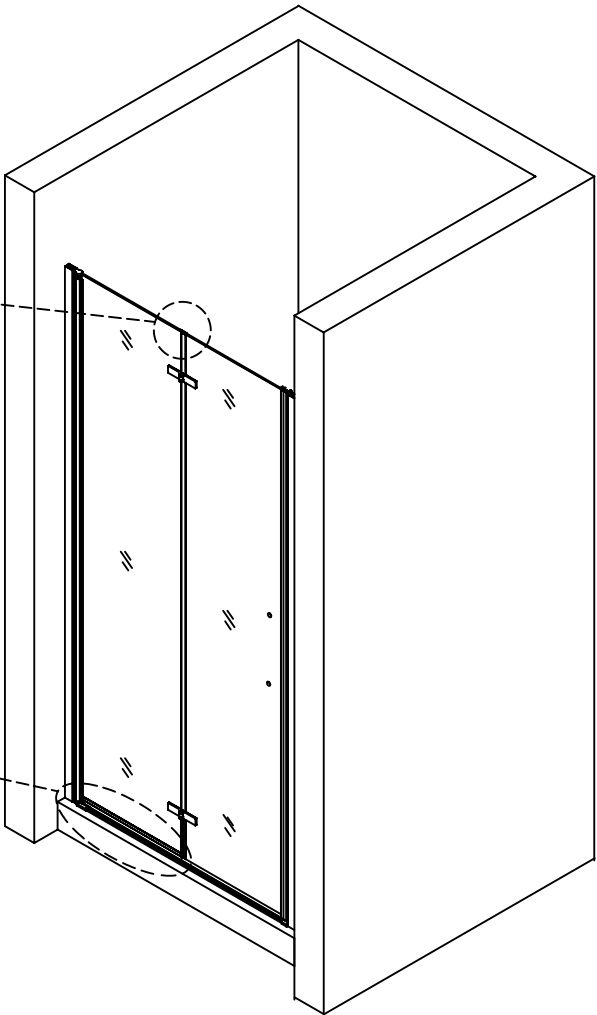
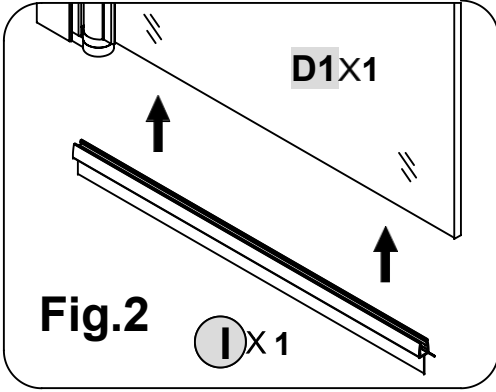
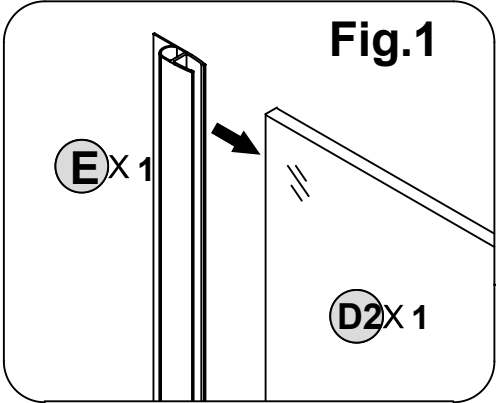
2. Place the **(J)** and **(L)** at each end of the **(K)** are placed against the profile.



14 Attach **Water Seal Gaskets (E) and (I)**

NOTE

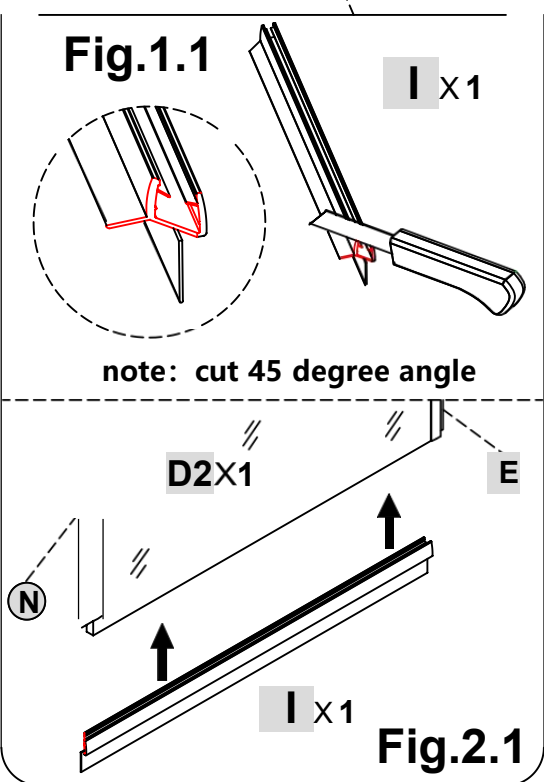
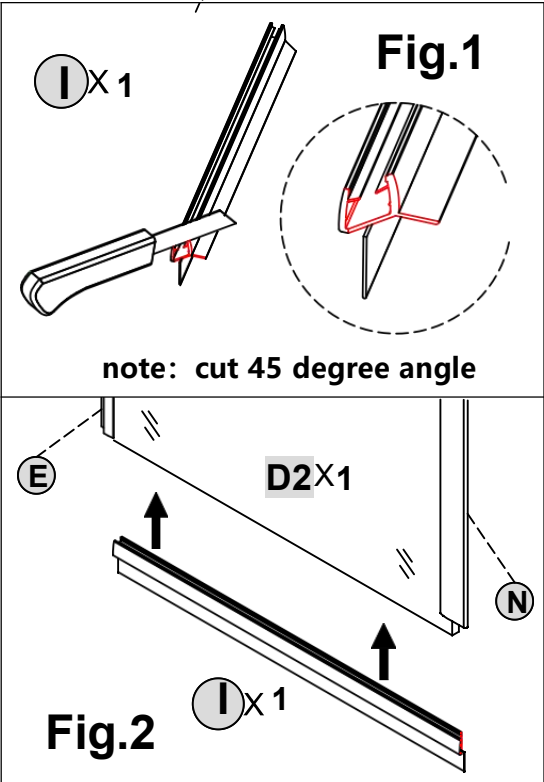
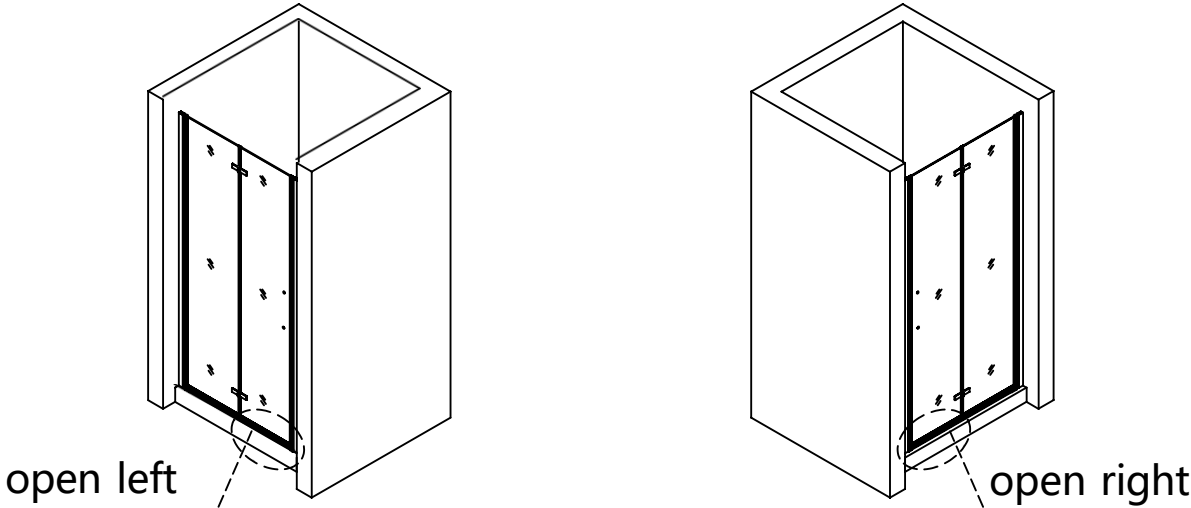
- 1. Install **Side Water Seal Gasket (E)** on **Swing Panel (D2)**.
- 2. Install **Bottom Water Seal Gasket (I)** on **Pivot Panel (D1)**.



15 Attach the **Bottom Water Seal Gasket (I)**

NOTE

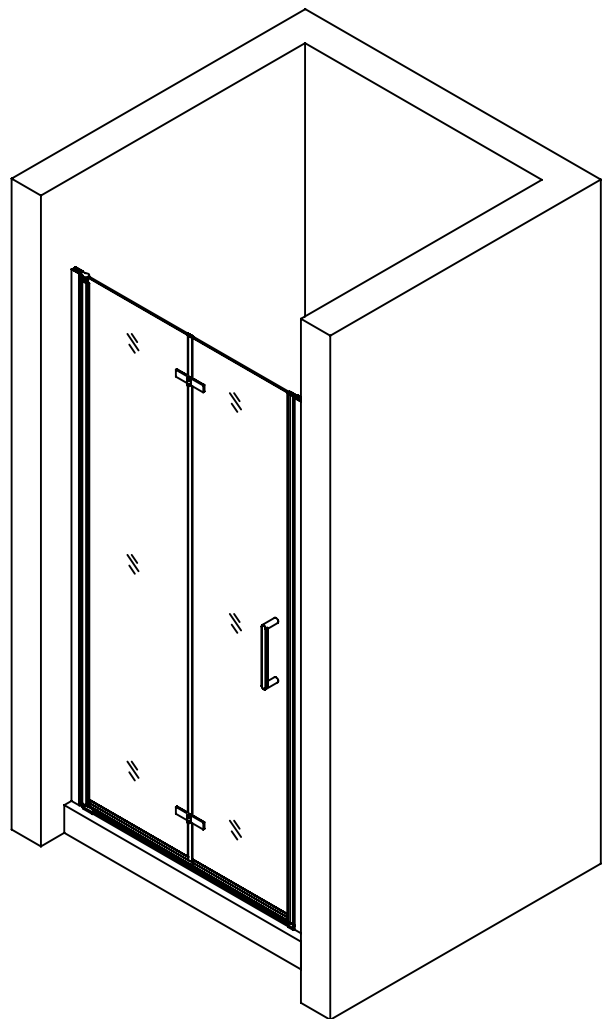
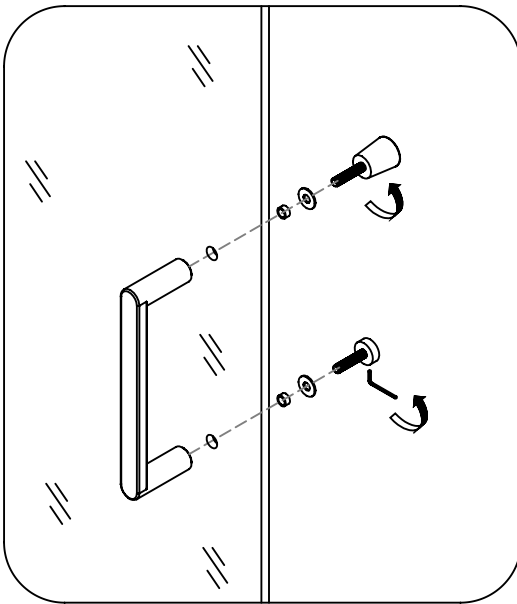
- 1. Cut the **Bottom Water Seal Gasket (I)** at a 45 degree Angle towards the **Magnetic Profile Seal (N)**.
- 2. Attach the **Bottom Water Seal Gasket (I)** to **Swing Panel (D2)**, 45 degree angle align with **Magnetic Profile Seal (N)**.
(Note: When the housing is install at the right side, cut the 45 degree angle as **Fig1.1,2.1**).



16 Install **Handle (G)**

NOTE

Install **Handle (G)** on **Swing Panel (D2)**.
Use all plastic washers to protect the glass.



17 SEALING

NOTE The surfaces need to be clean and free of debris before applying silicone.

NOTE Make sure the shower door is tightly closed and opens smoothly. Apply high-quality silicone sealant along the bottom of the fixed glass and the bottom of the lower water barrier.

! Allow 24 hours for the silicone to cure before using the shower.



! Apply Silicone Sealant, (not supplied).

Apply silicone to the wall position on the outside of the wall material.

