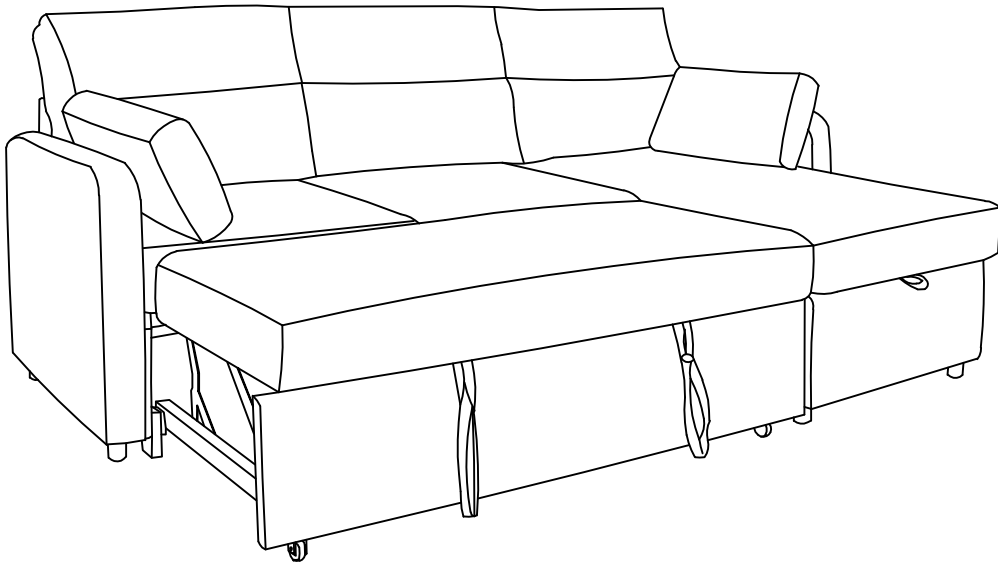


# Instruction Manual





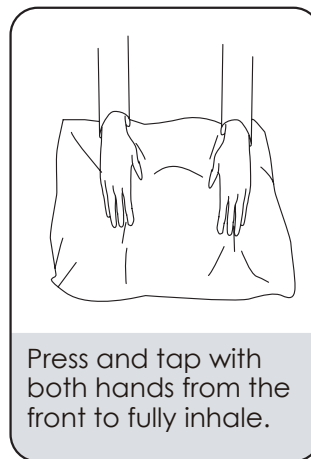
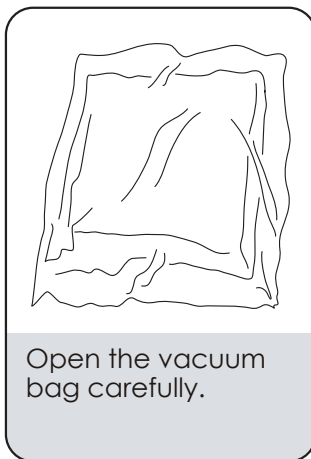
# Safety and Care Advice

**Important - Please read these instructions fully before starting assembly**

**Thanks for your purchase. Before assembling, please follow the instructions to check if all the spare parts and screws are intact.**

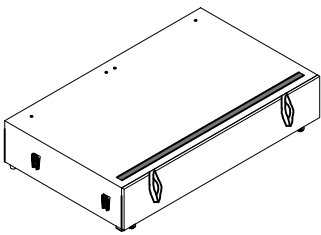
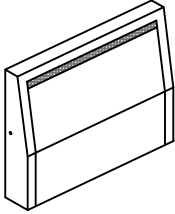
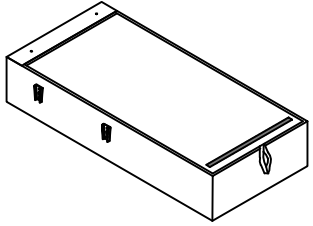
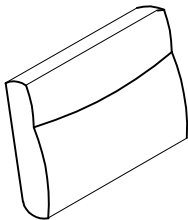
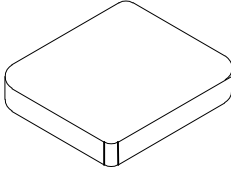
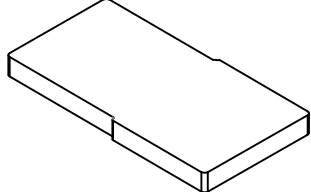
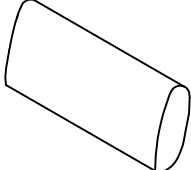
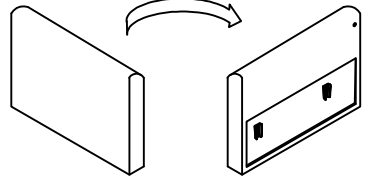
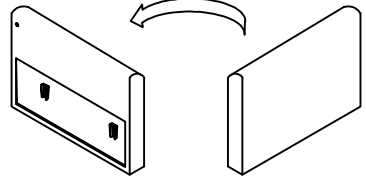
- Considering the size and weight of the sofa, we recommend two adults to assemble the sofa, on a carpeted or padded area, in the room that it is intended for. Approximate assembly time: 30 minutes.
- Please do not throw away any of the packaging or the instruction until you have checked all the components and hardware and the furniture is fully assembled. Please ensure that the packaging is disposed in a safe and environmentally friendly way.
- Keep all components and packaging out of reach of children or animals to avoid the risk of choking or suffocation.
- Please do not take off the cover, and do not wash.

**Your cushions come vacuum packed and sealed for shipping. To restore the cushion's original shape, follow the steps below.**

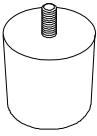
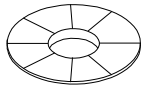
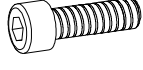
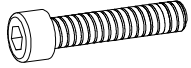
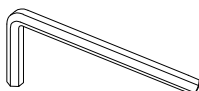


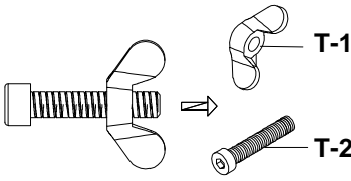
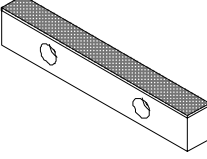


**Recovery takes 48 hours and requires tapping the backrest.**

# Main Structure Accessories

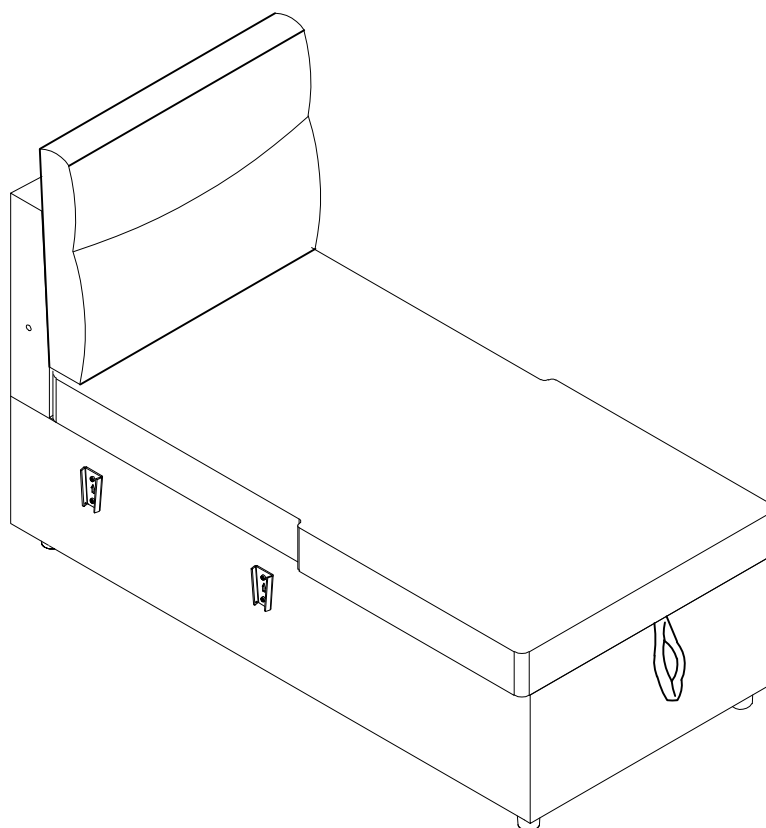
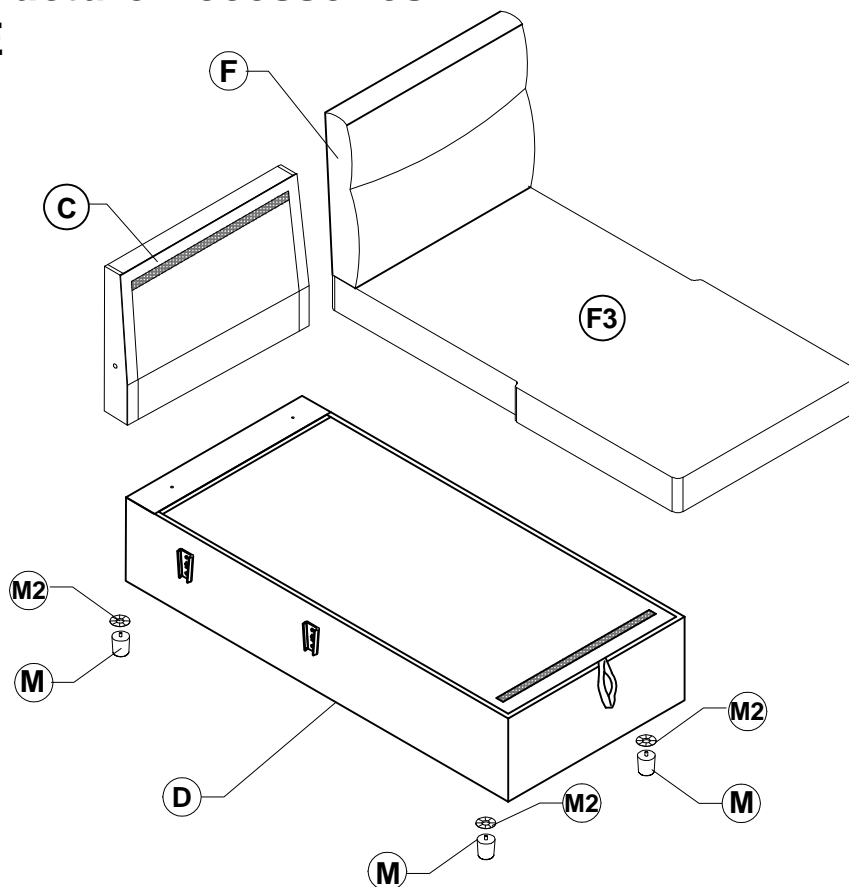
<p><b>B</b></p>  <p>1PC</p>	<p><b>C</b></p>  <p>3PC</p>	<p><b>D</b></p>  <p>1PC</p>
<p><b>F</b></p>  <p>3PC</p>	<p><b>F1</b></p>  <p>2PC</p>	<p><b>F3</b></p>  <p>1PC</p>
<p><b>F5</b></p>  <p>2PC</p>	<p><b>R1</b></p>  <p>1PC</p>	<p><b>R2</b></p>  <p>1PC</p>

# Main Structure Accessories

<p><b>M</b></p>  <p>8PCS</p>	<p><b>M2</b></p>  <p>8PCS</p>	<p><b>N</b></p>  <p>M8×30mm</p> <p>6PCS</p>
<p><b>N1</b></p>  <p>M8×45mm</p> <p>8PCS</p>	<p><b>P</b></p>  <p>1PCS</p>	<p><b>P1</b></p>  <p>Small</p> <p>6PCS</p>
<p><b>P2</b></p>  <p>Big</p> <p>12PCS</p>	<p><b>T</b></p>  <p>M8×50mm</p> <p>2SET</p>	<p><b>Z2</b></p>  <p>3PCS</p>

# Assembly Steps(EN) / Montageschritte(DE)

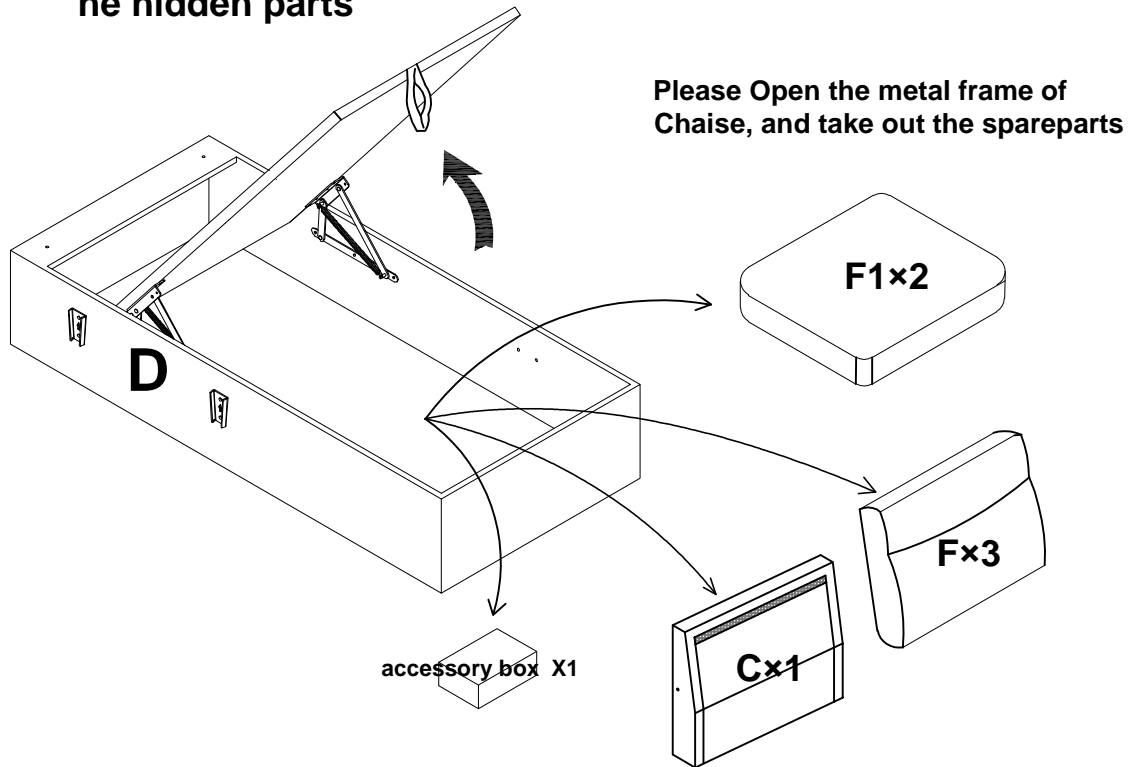
## Main Structure Accessories CHAISE



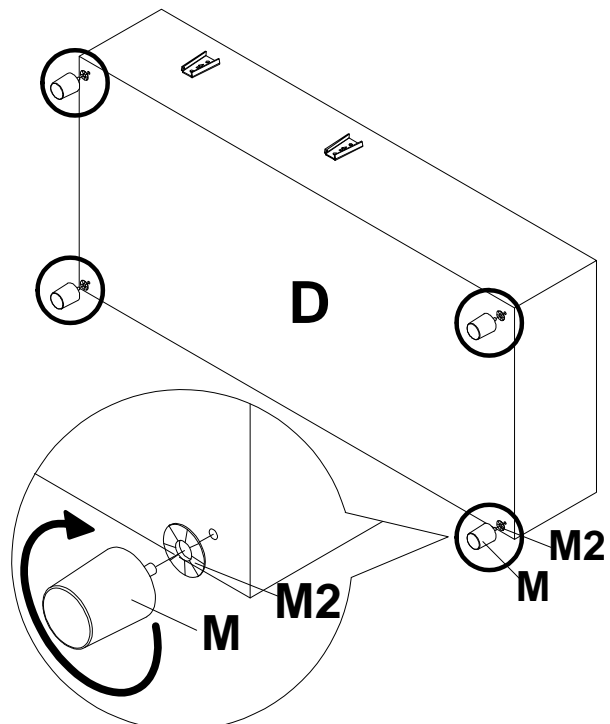
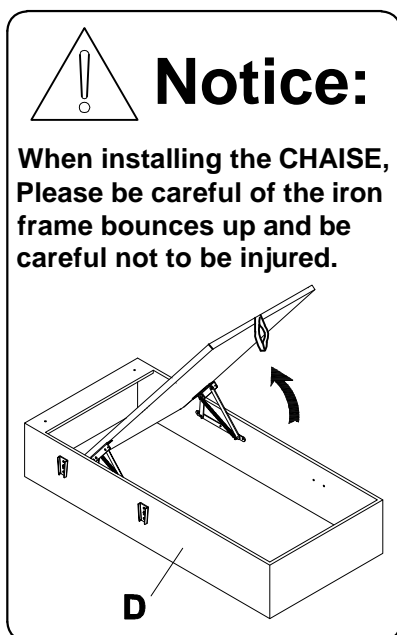
# Assembly Steps(EN) / Montageschritte(DE)

## STEP 1

How to find out  
the hidden parts

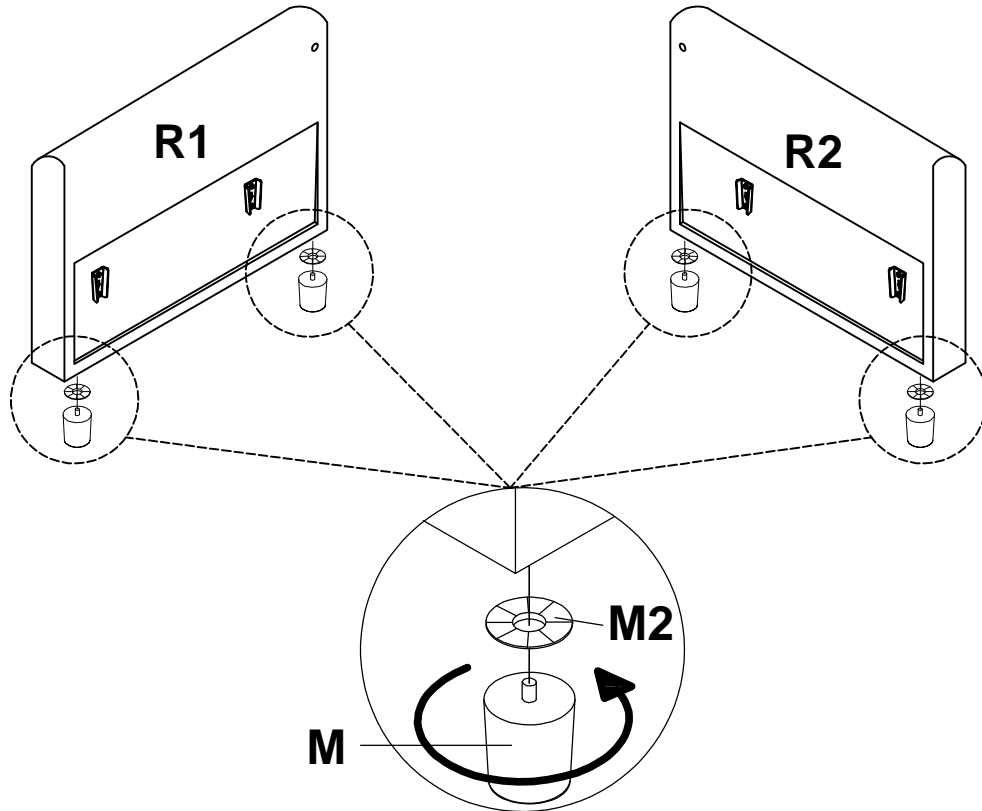


## STEP 2

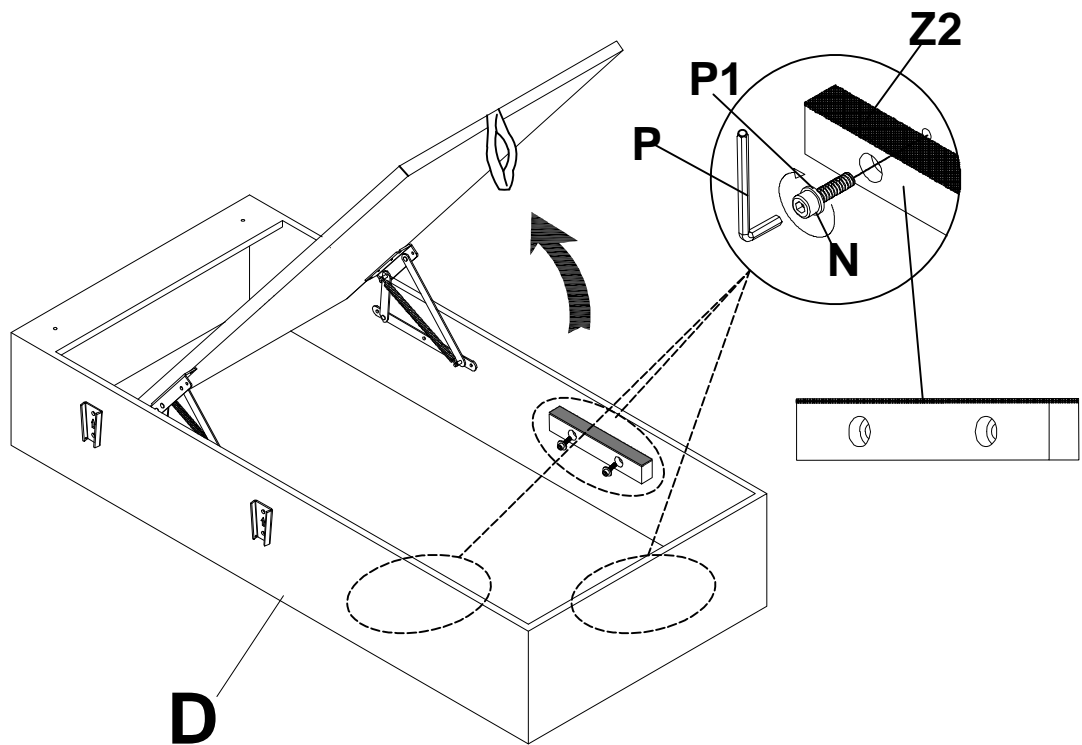


# Assembly Steps(EN) / Montageschritte(DE)

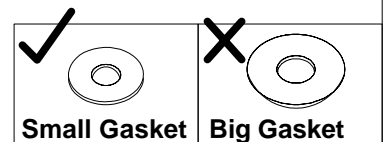
## STEP 3



## STEP 4



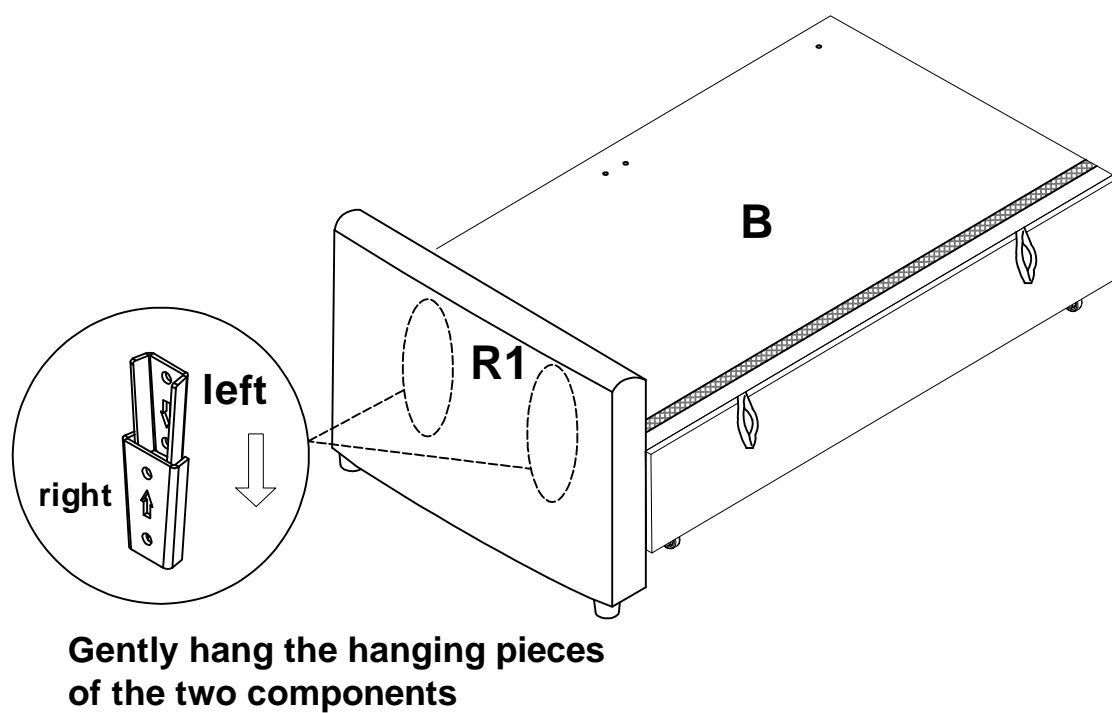
<b>N</b>	 M8x30mm
	Nx 6PCS
	P1 x 6PCS
	P x 1PC



## STEP 5



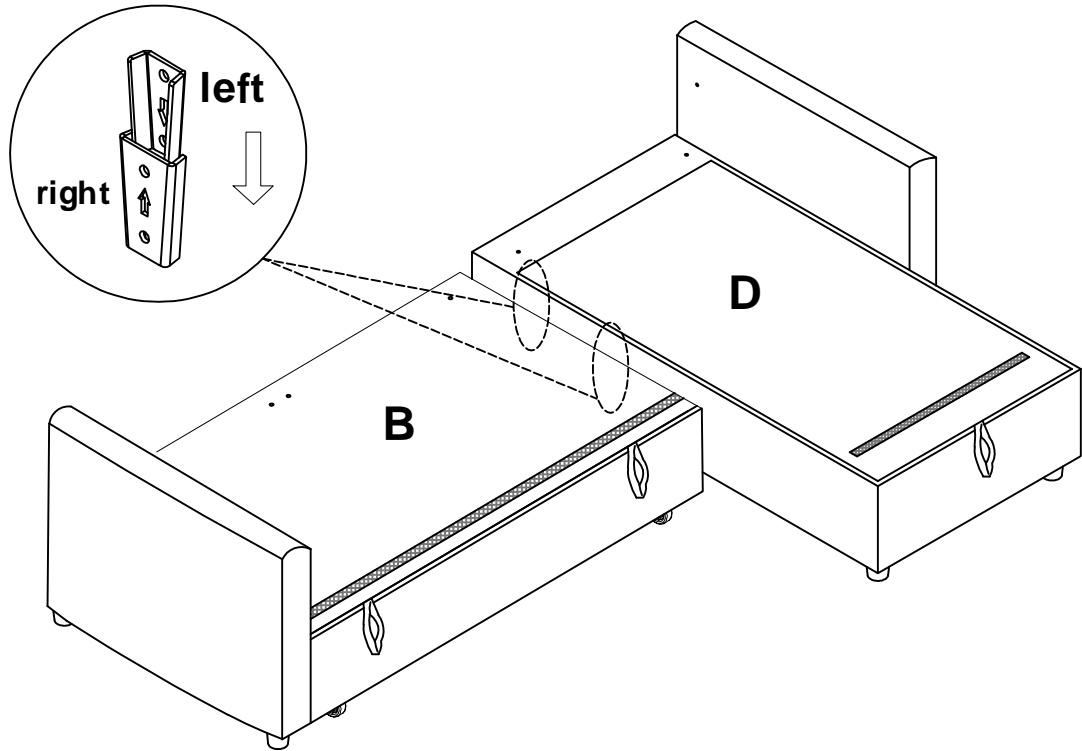
## STEP 6



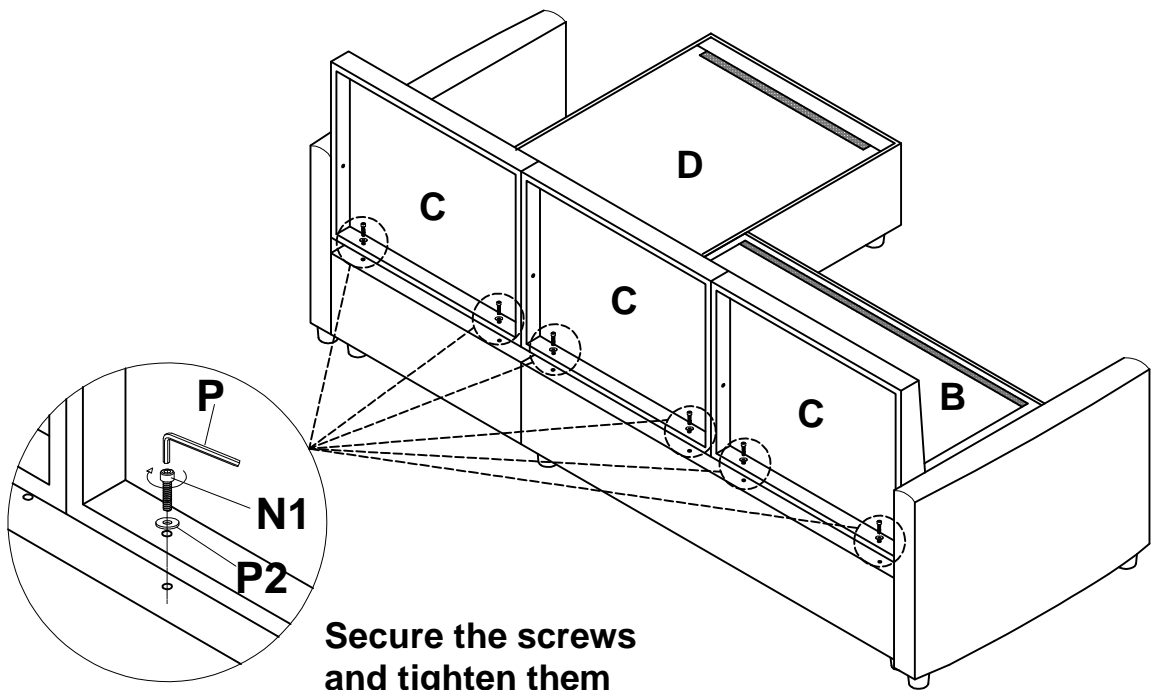
# Assembly Steps(EN) / Montageschritte(DE)

## STEP 7

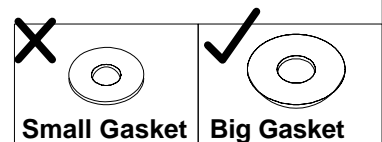
Gently hang the hanging pieces of the two components



## STEP 8

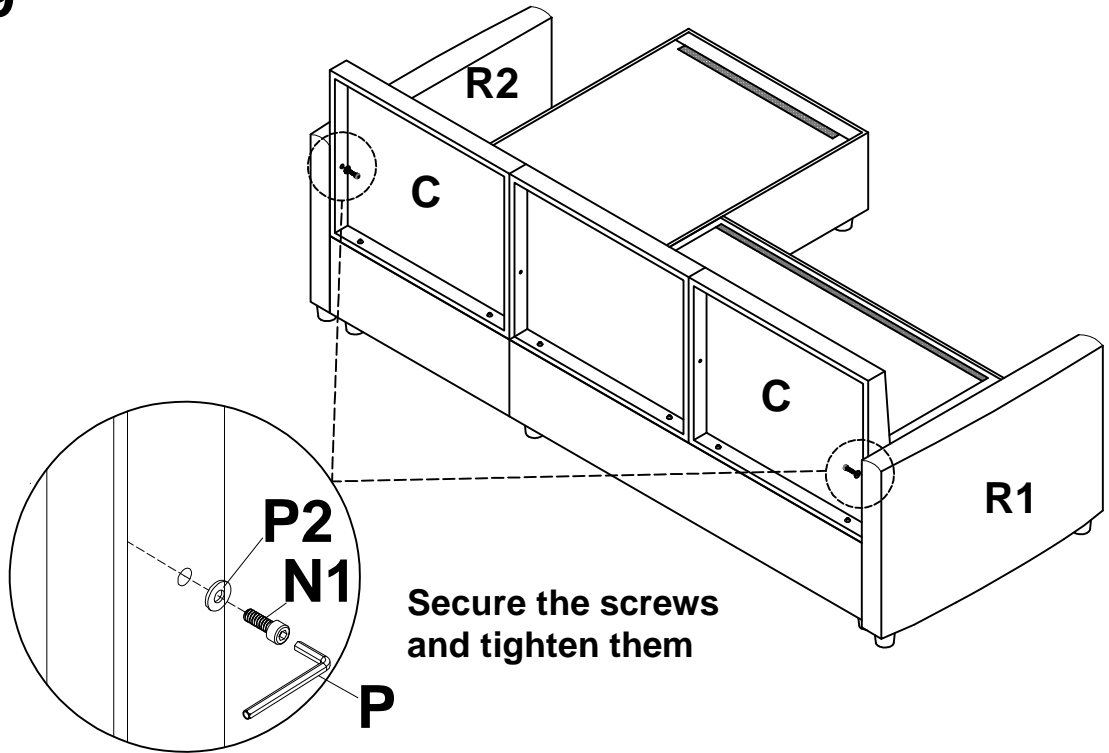



<b>N1</b>	 M8×45mm
	N1x 6PCS
	P2 x 6PCS
	P x 1PC

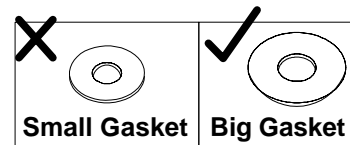


# Assembly Steps(EN) / Montageschritte(DE)

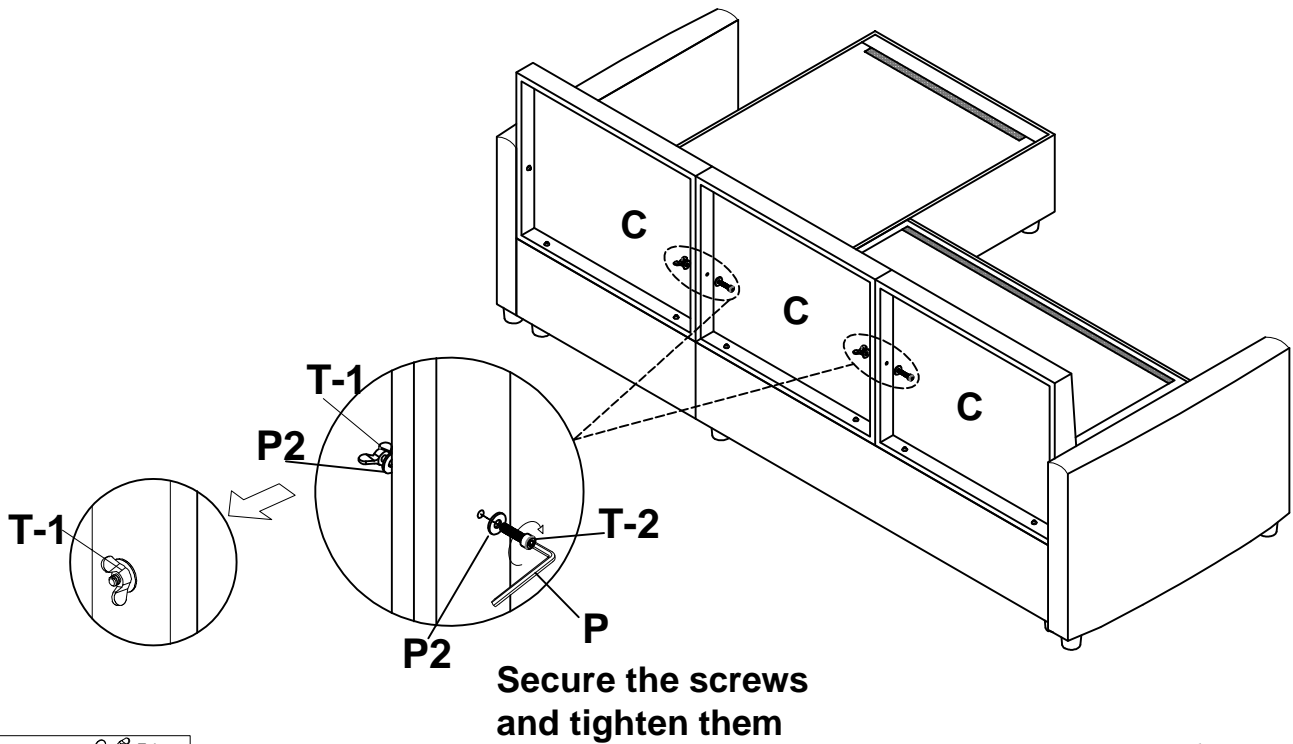
## STEP 9

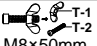





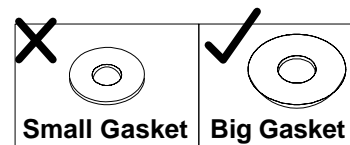
<b>N1</b>	 M8x45mm
	N1x 2PCS
	P2 x 2PCS
	P x 1PC



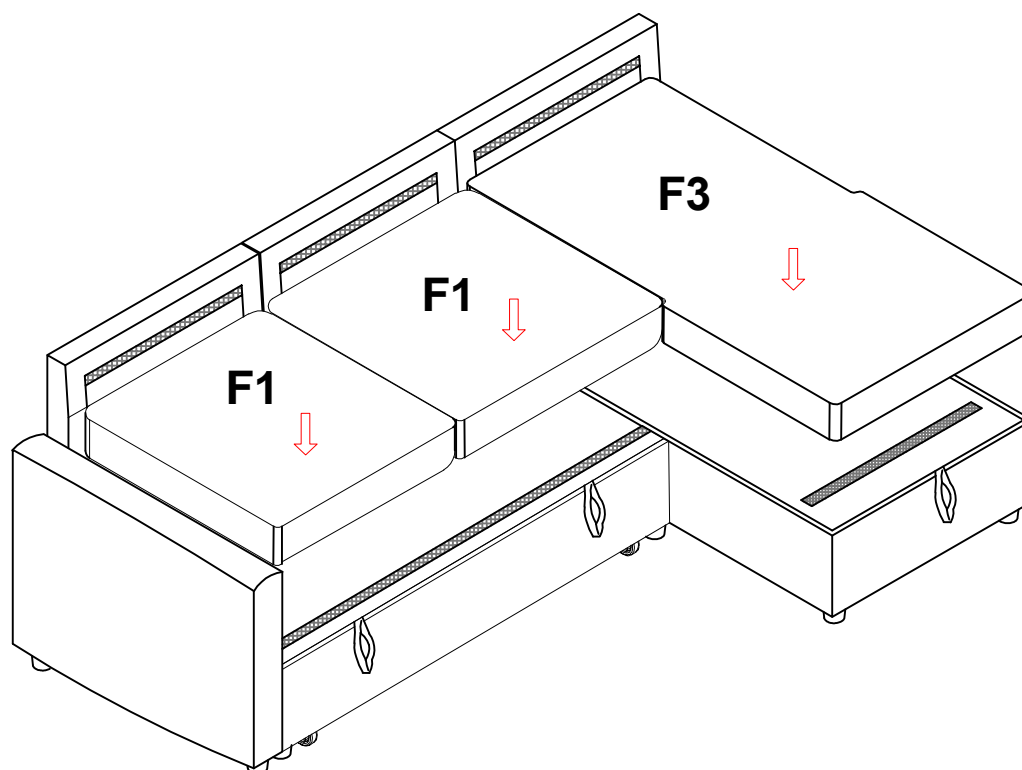
## STEP 10



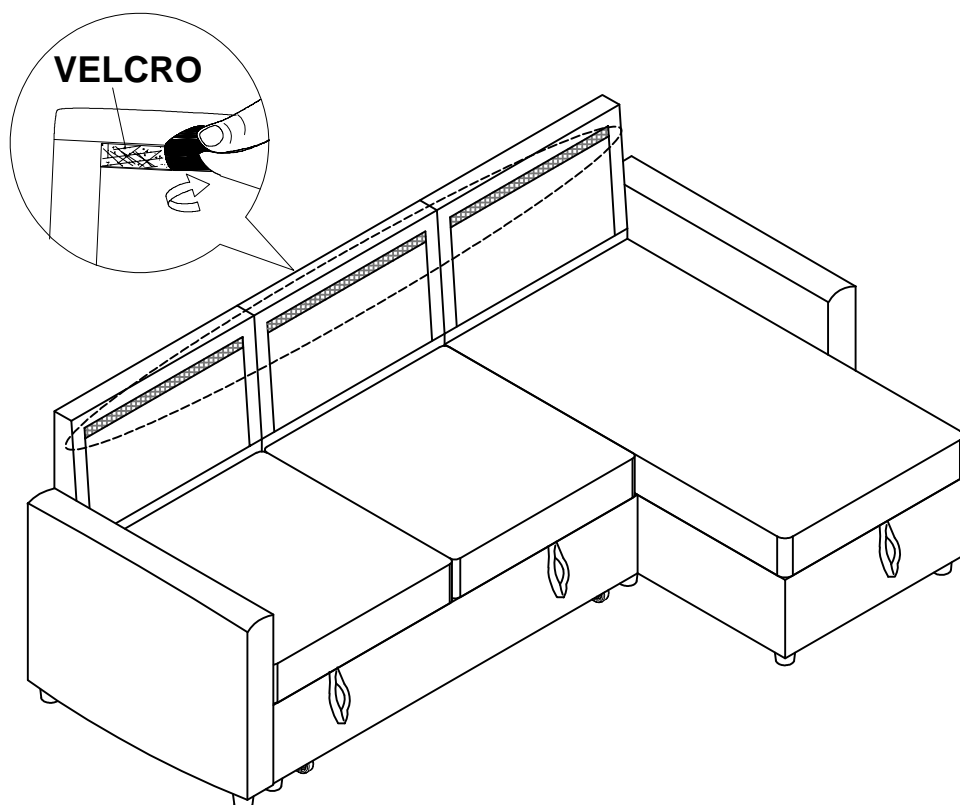
<b>T</b>	 M8x50mm
	T x 2SET
	P2 x 4PCS
	P x 1PC



## STEP 11

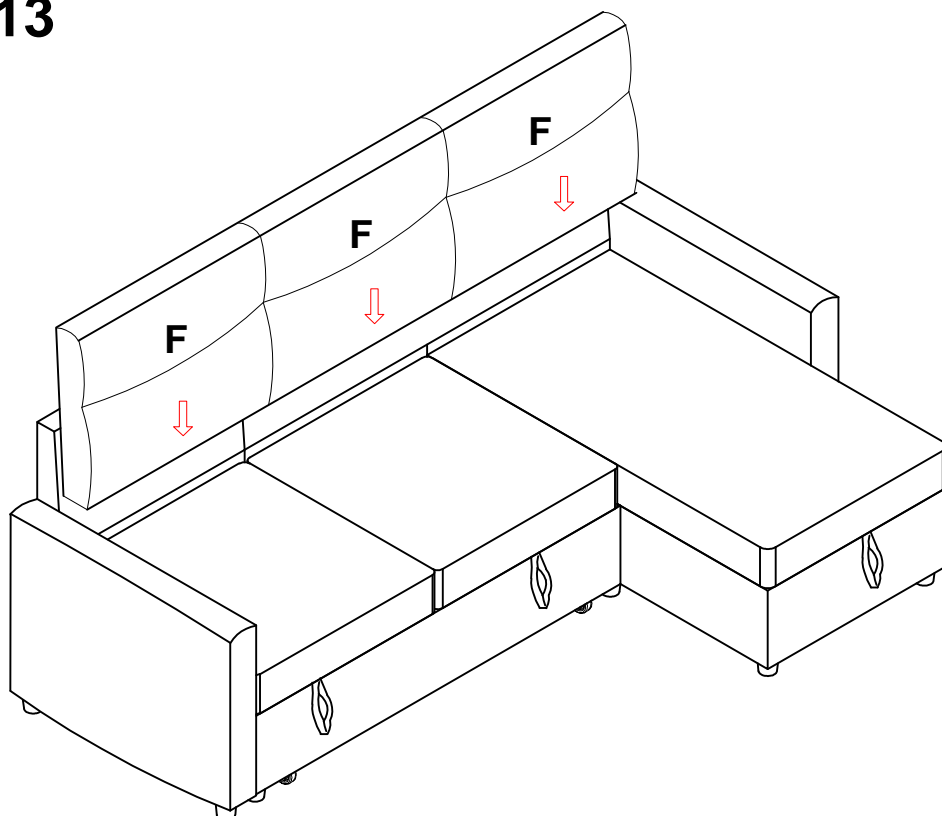


## STEP 12

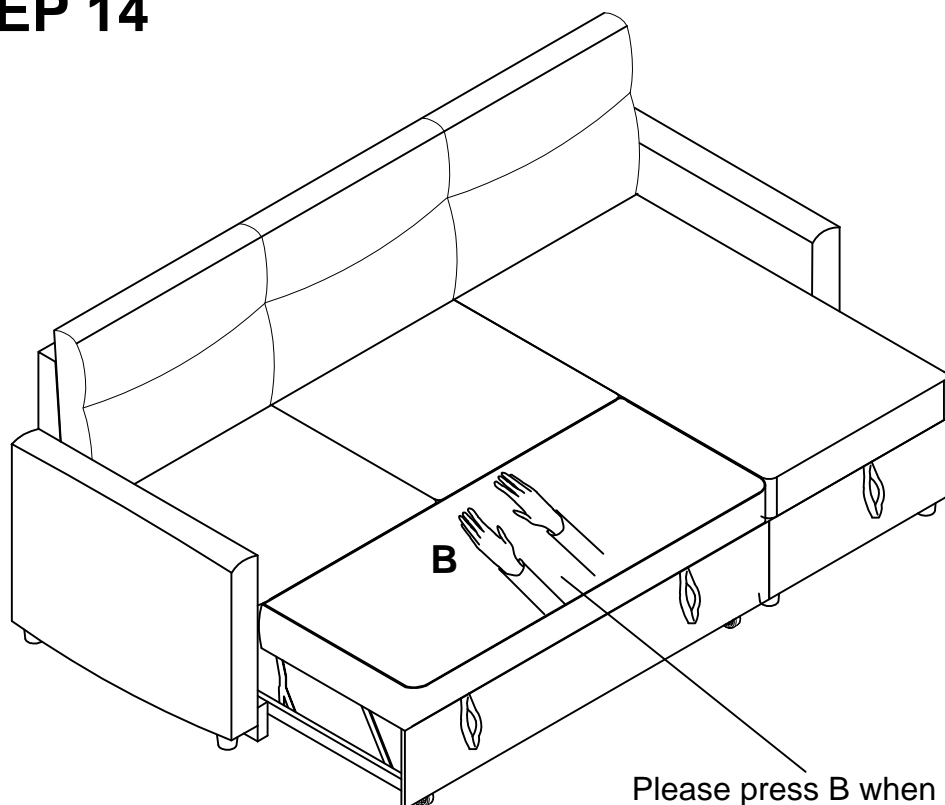


## Assembly Steps(EN) / Montageschritte(DE)

### STEP 13

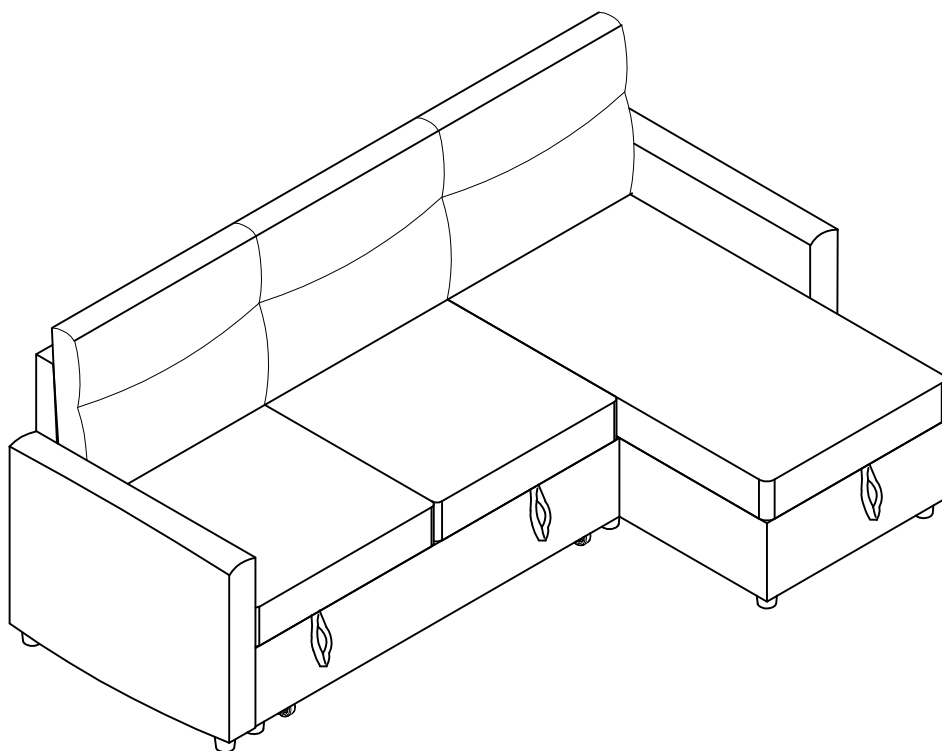


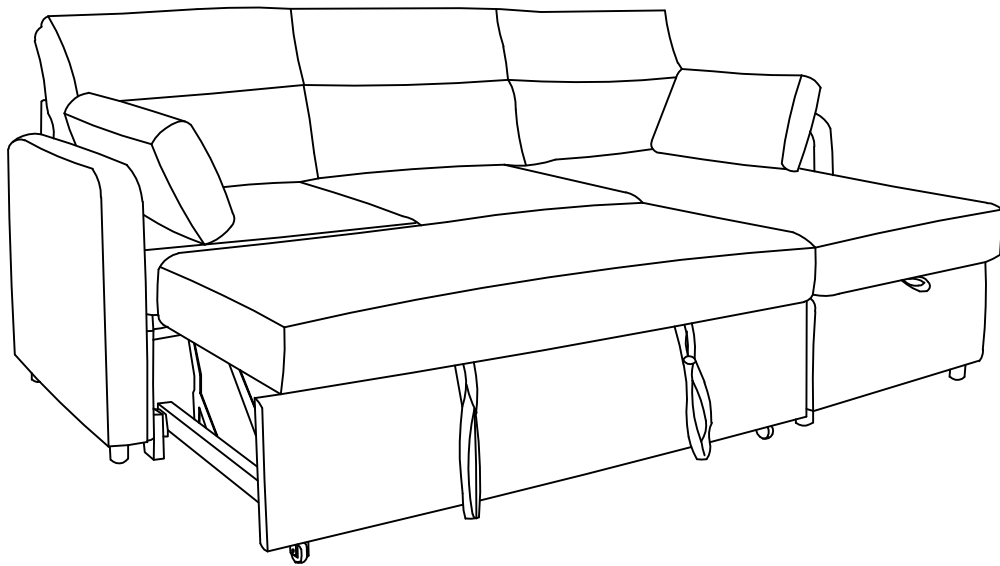
### STEP 14



Please press B when lowering the roll away bed.

## STEP 15



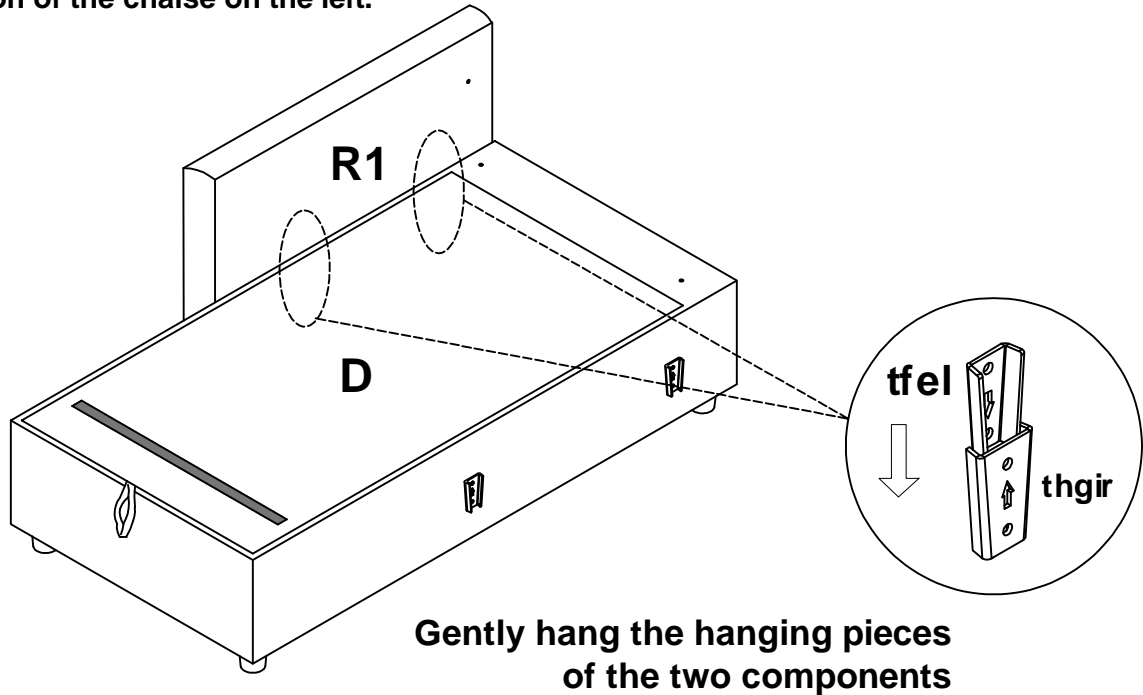


Installation completed

## Assembly Steps(EN) / Montageschritte(DE)

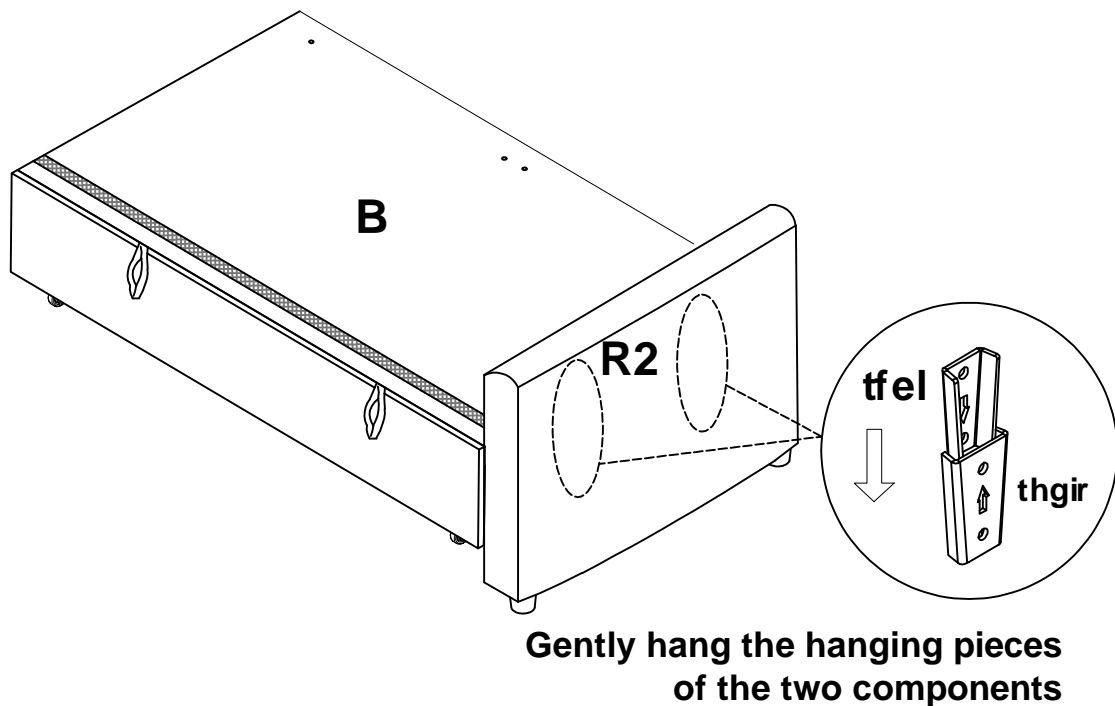
### STEP 16

Installation guidelines for the location of the chaise on the left.



### STEP 17

Installation guidelines for the location of the chaise on the left.

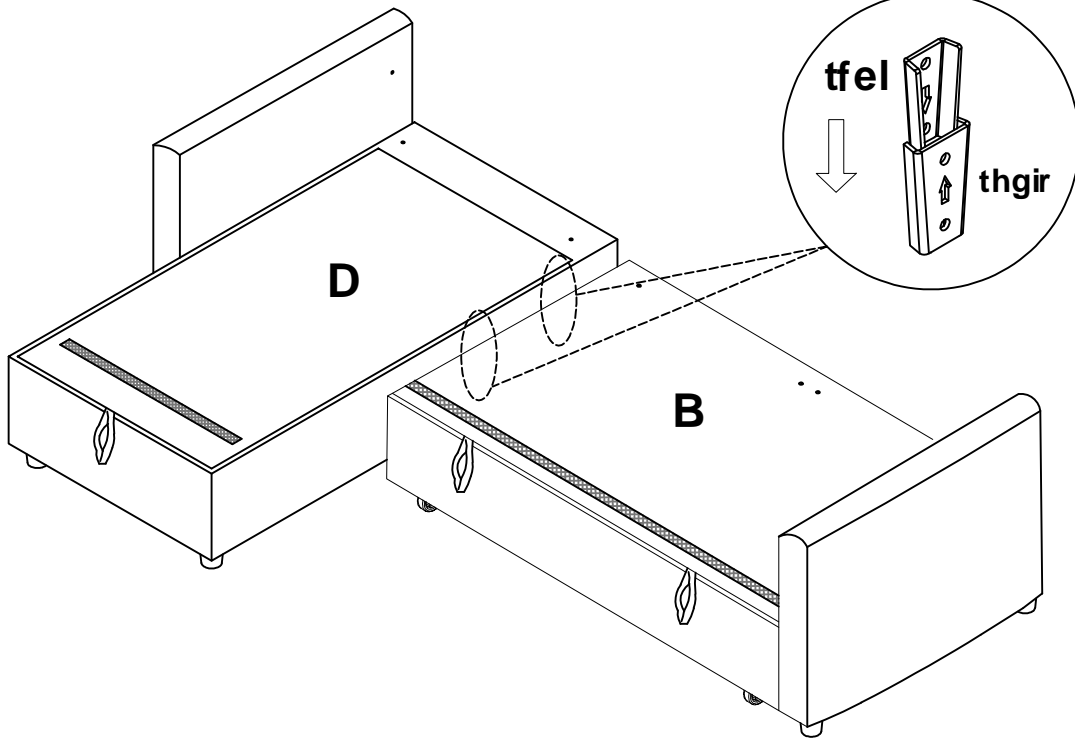


# Assembly Steps(EN) / Montageschritte(DE)

## STEP 18

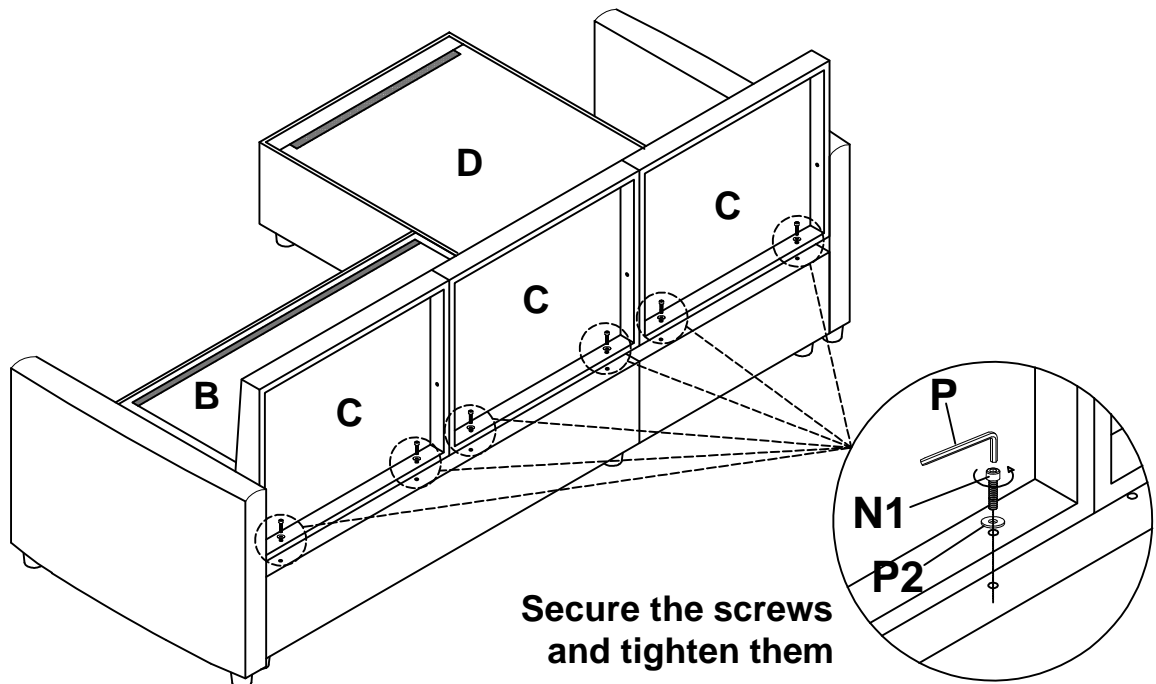
Installation guidelines for the location of the chaise on the left.

Gently hang the hanging pieces of the two components



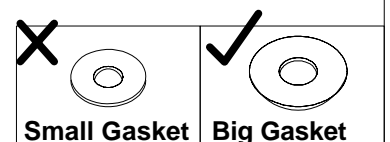
## STEP 19

Installation guidelines for the location of the chaise on the left.



Secure the screws and tighten them

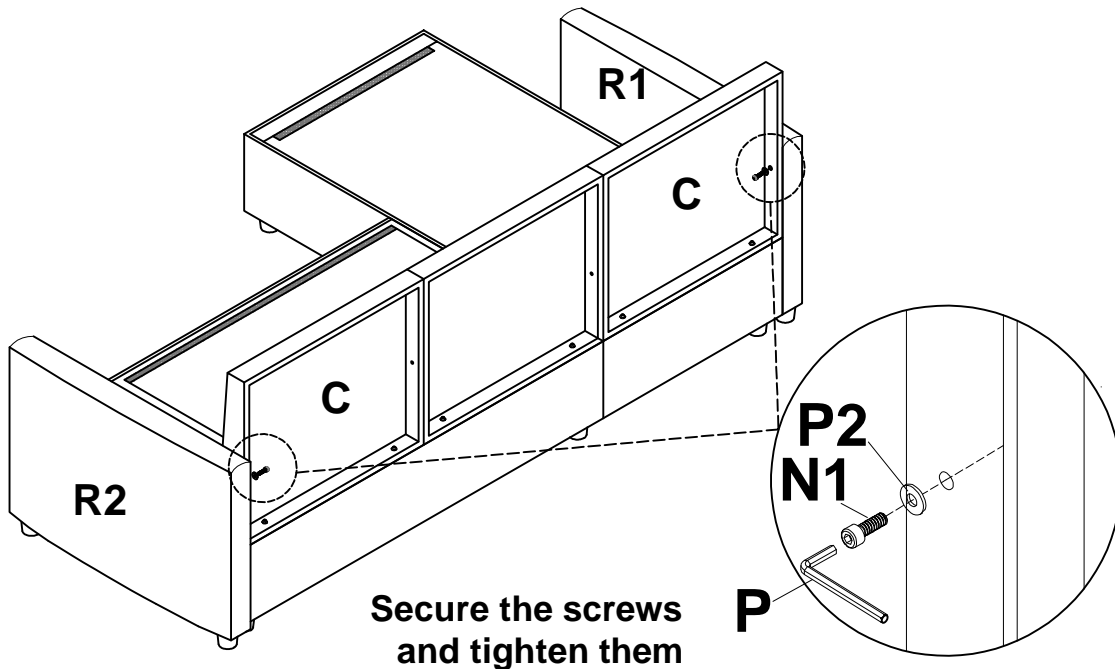
<b>N1</b>		M8x45mm
	N1 x 6PCS	
	P2 x 6PCS	
	P x 1PC	

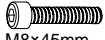





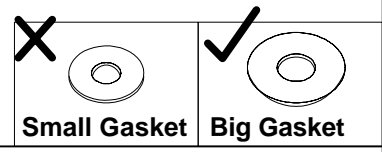
# Assembly Steps(EN) / Montageschritte(DE)

## STEP 20

Installation guidelines for the location of the chaise on the left.

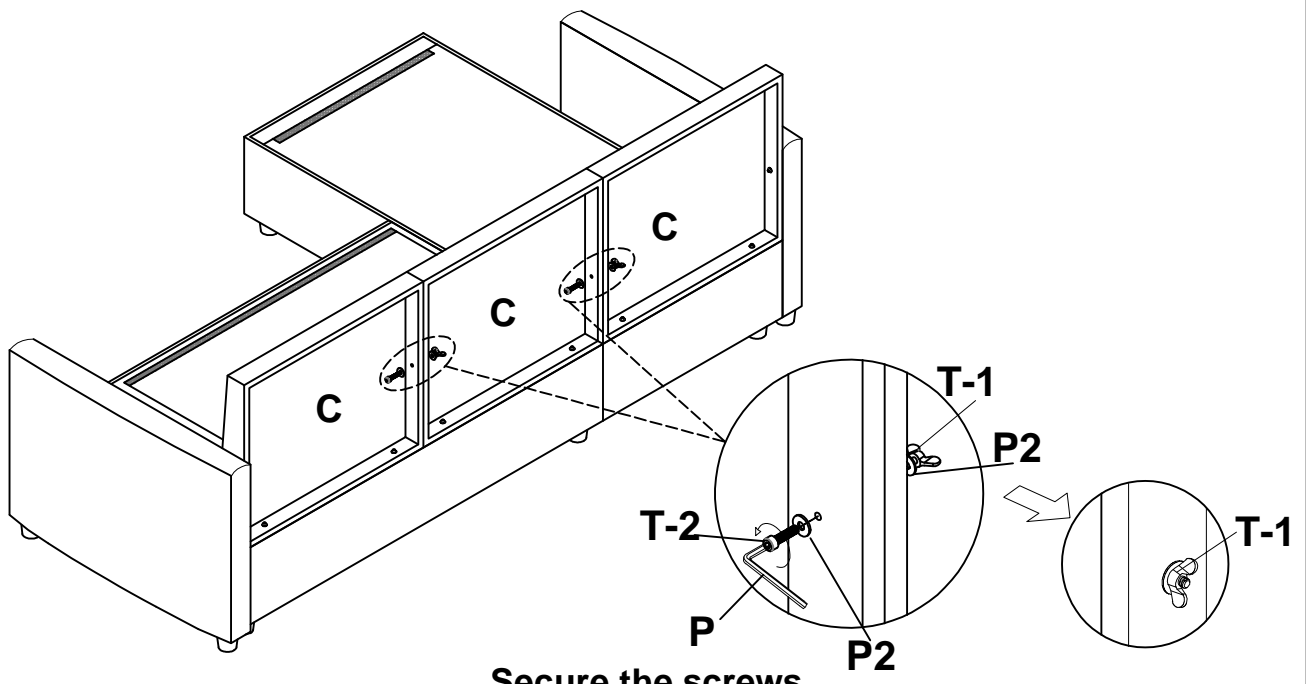



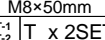
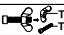

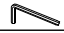
<b>N1</b>	 M8x45mm
	N1 x 2PCS
	P2 x 2PCS
	P x 1PC

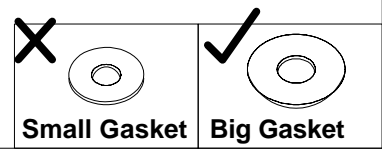


## STEP 21

Installation guidelines for the location of the chaise on the left.



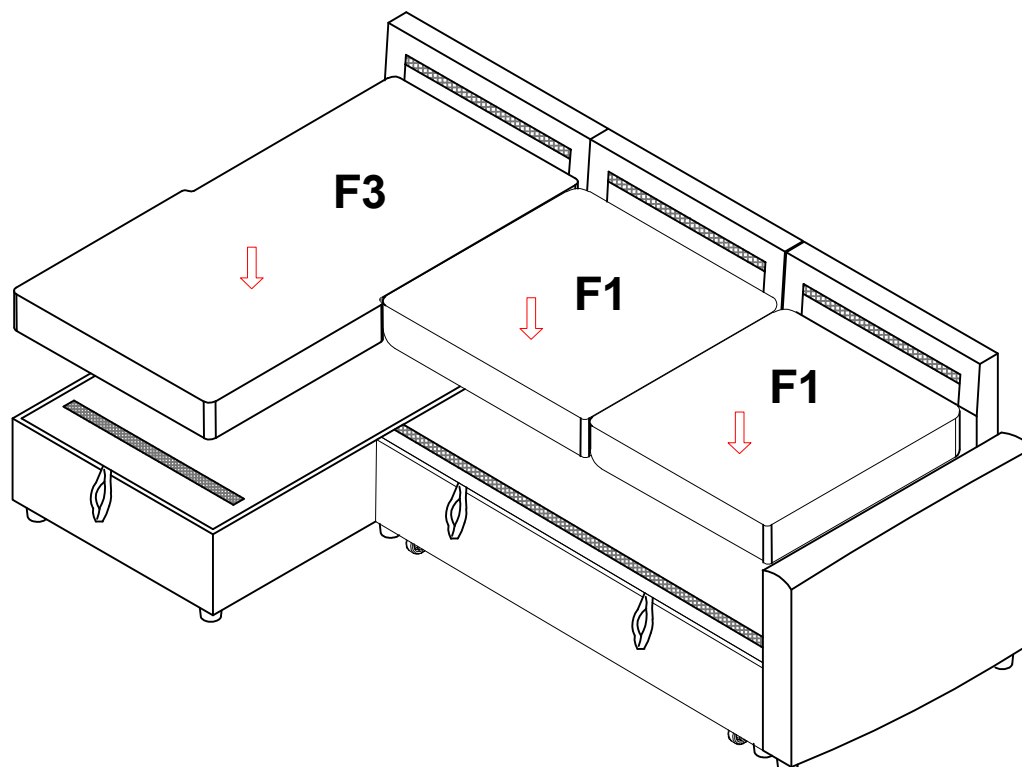
<b>T</b>	 T-1  T-2 M8x50mm
	T x 2SET
	P2 x 4PCS
	P x 1PC



## Assembly Steps(EN) / Montageschritte(DE)

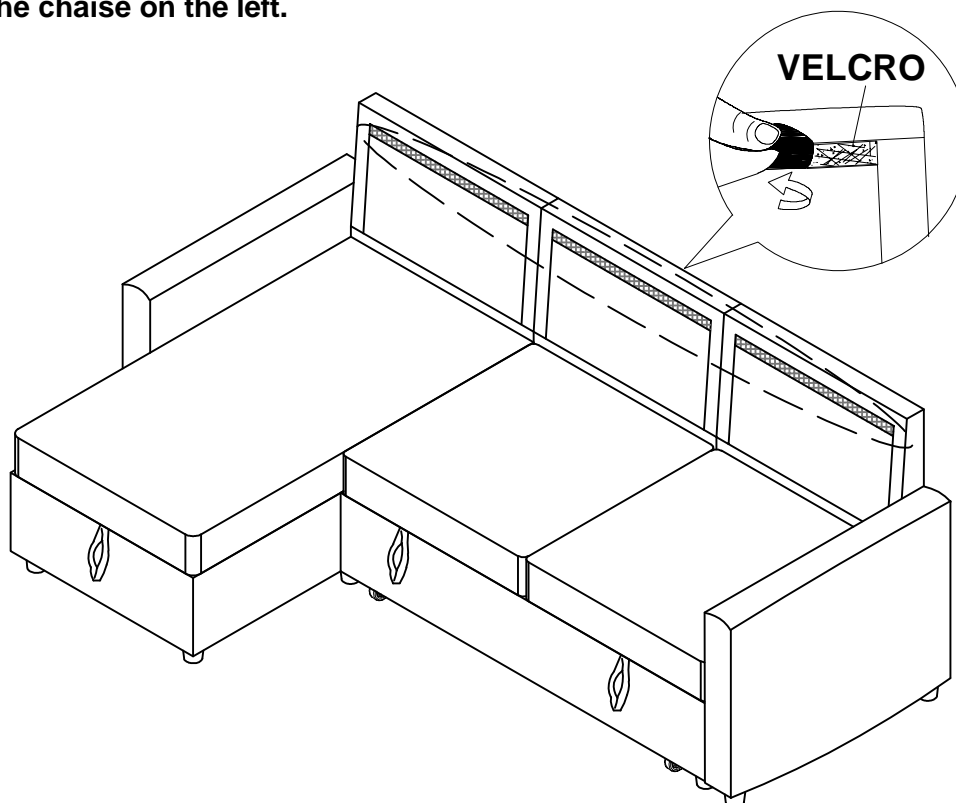
### STEP 22

Installation guidelines for the location of the chaise on the left.



### STEP 23

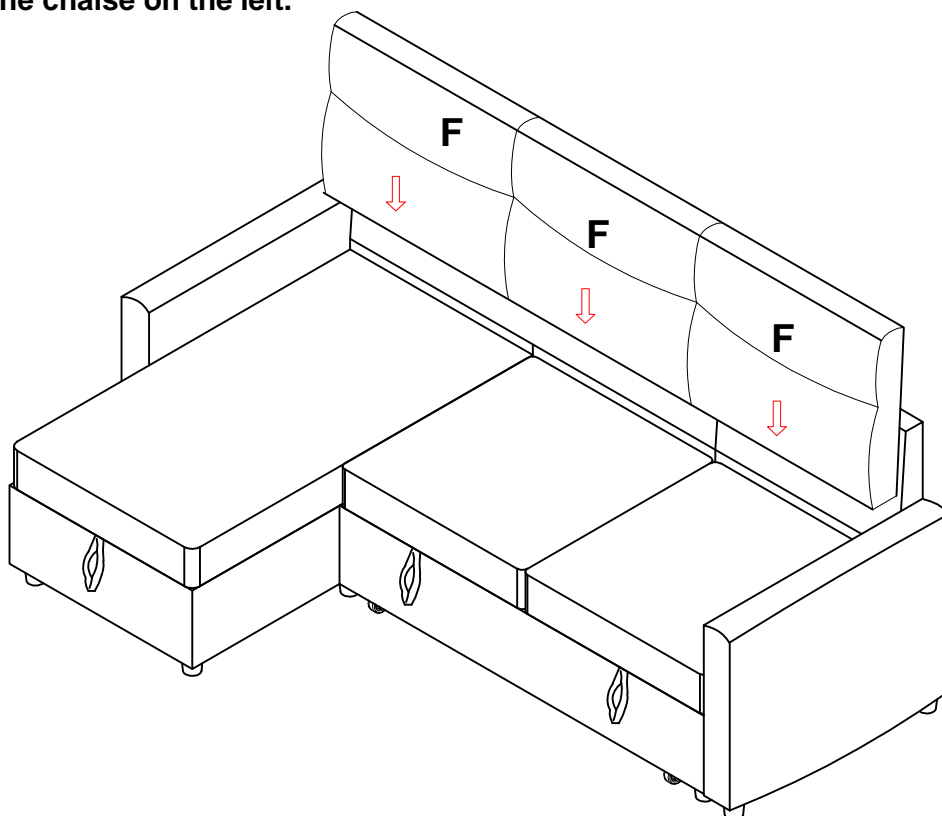
Installation guidelines for the location of the chaise on the left.



## Assembly Steps(EN) / Montageschritte(DE)

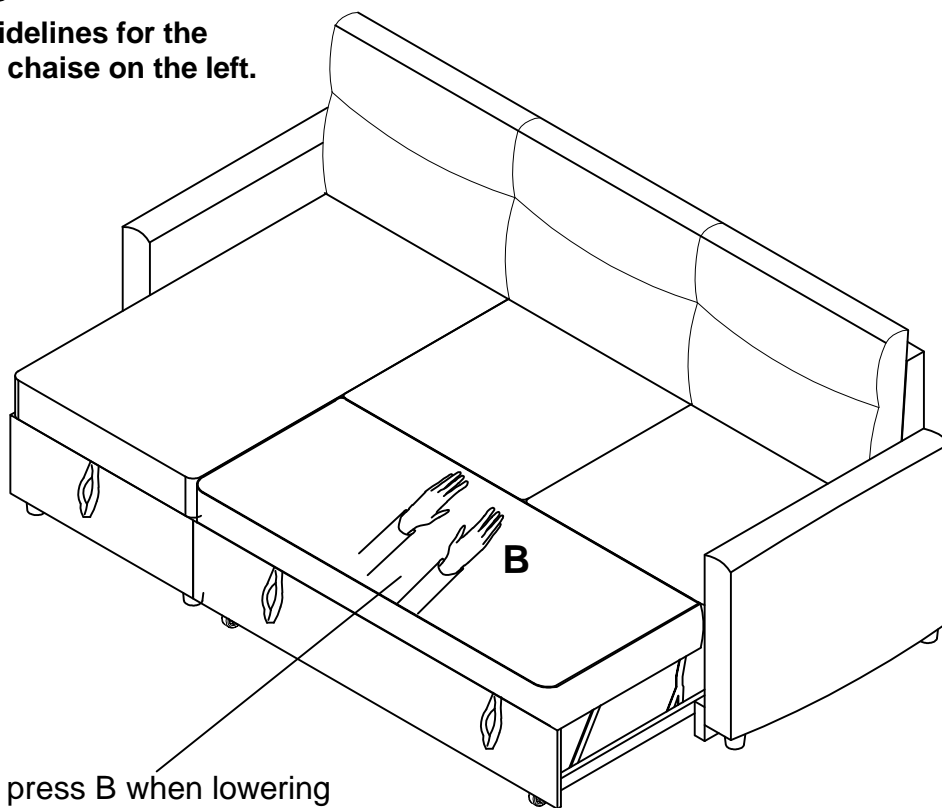
### STEP 24

Installation guidelines for the location of the chaise on the left.



### STEP 25

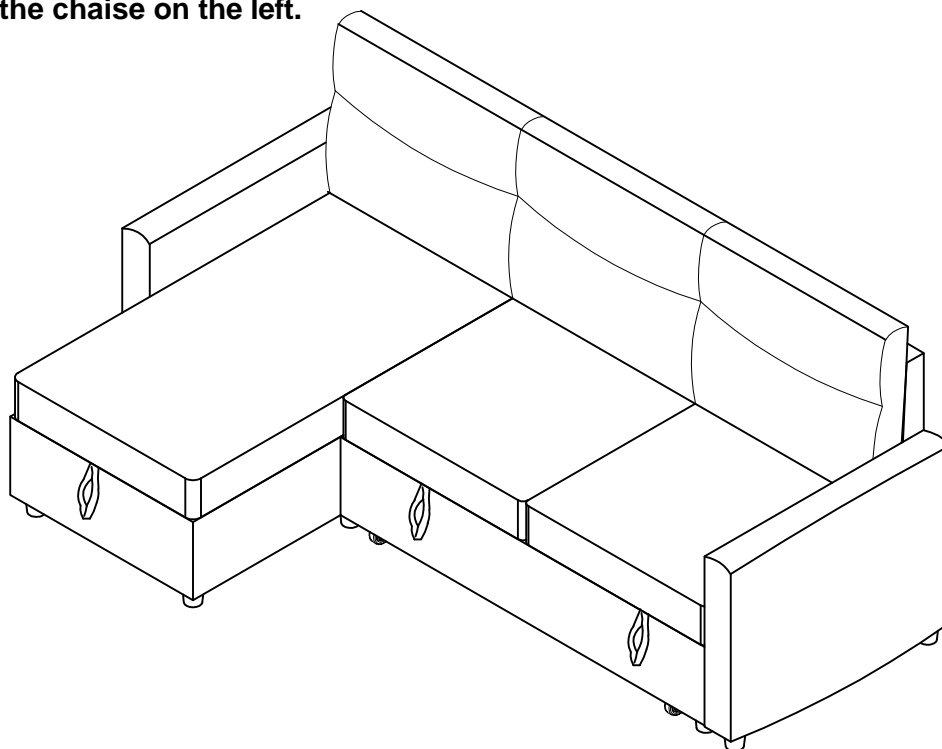
Installation guidelines for the location of the chaise on the left.

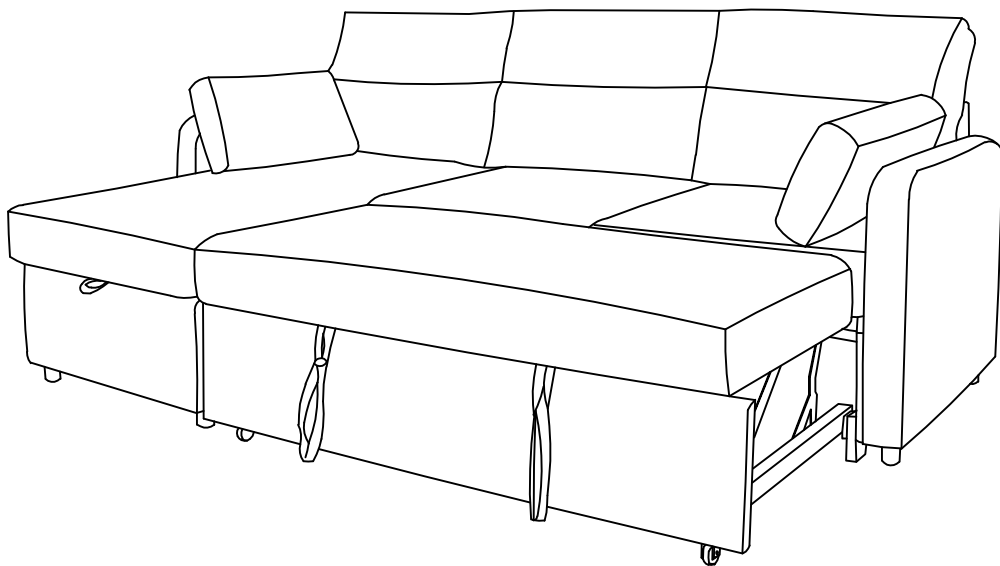


Please press B when lowering the roll away bed.

## STEP 26

Installation guidelines for the location of the chaise on the left.





Installation completed