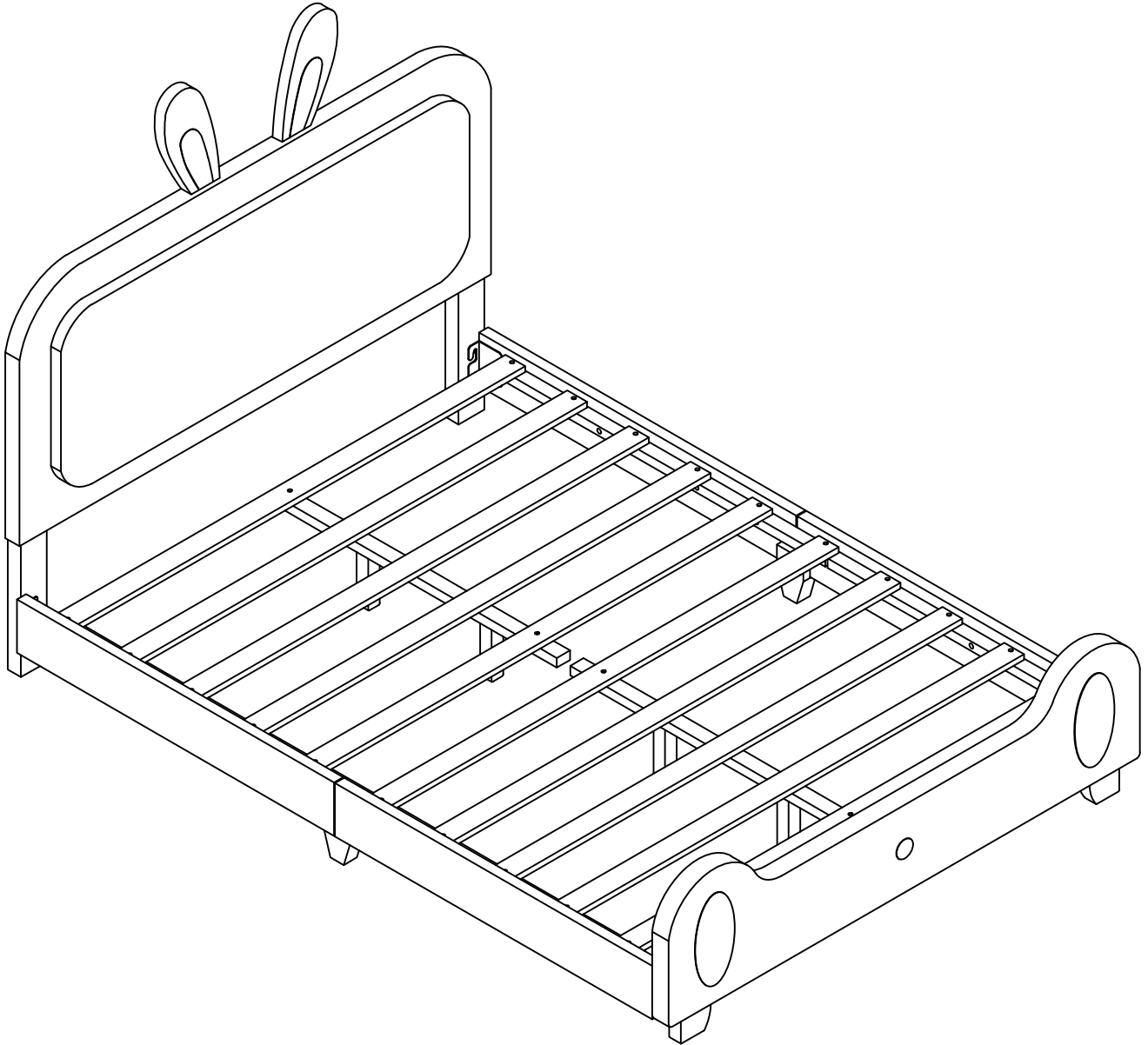


ASSEMBLY INSTRUCTIONS

WF307327



IMPORTANT NOTE

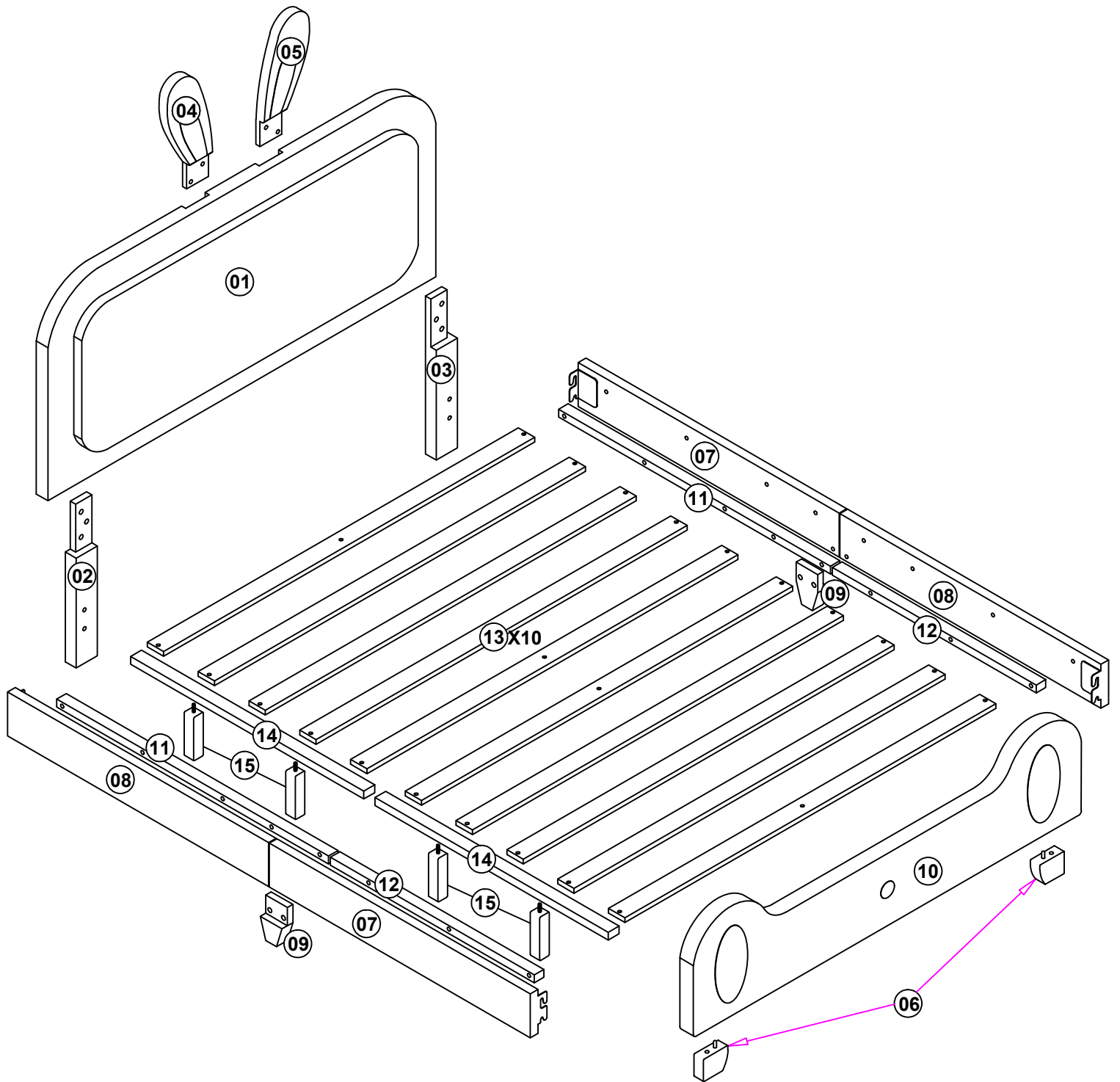
****PLACE ALL PARTS ON A CLEAN AND SMOOTH SURFACE SUCH AS A RUG OR CARPET TO AVOID THE PARTS FROM BEING SCRATCHED**

**** BEFORE YOU BEGIN , KINDY FOLLOW THE ASSEMBLY INSTRUCTIONS STEP BY STEP**

****DO NOT TIGHTEN ALL SCREWS AND BOLTS UNTIL THE BED IS FULLY SET-UP**

ASSEMBLY INSTRUCTIONS

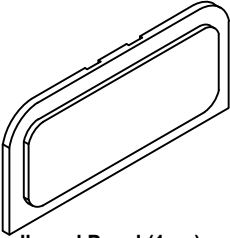
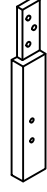



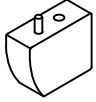
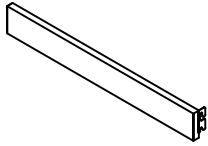
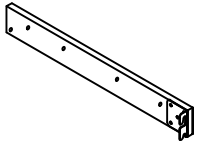
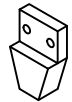
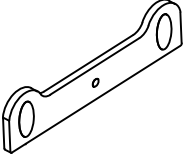

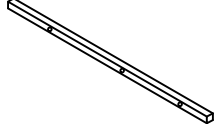

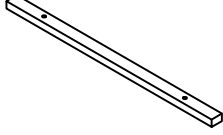
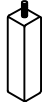
WF307327



ASSEMBLY INSTRUCTION

WF307327

PART LIST BOX 1:

<p>1</p>  <p>Headboard Panel (1 pc)</p>	<p>2</p>  <p>Left Headboard leg (1 pc)</p>	<p>3</p>  <p>Right Headboard Leg (1 pc)</p>
<p>4</p>  <p>Left Headboard Ear (1 pc)</p>	<p>5</p>  <p>Right Headboard Ear (1 pc)</p>	<p>6</p>  <p>Leg (4 pcs)</p>
<p>7</p>  <p>Left Side Rail (2 pcs)</p>	<p>8</p>  <p>Right Side Rail (2 pcs)</p>	<p>9</p>  <p>Rail support legs (2 pcs)</p>
<p>10</p>  <p>Footboard Panel (1 pc)</p>	<p>11</p>  <p>Long Support Bar (2 pcs)</p>	<p>12</p>  <p>Short Support Bar (2 pcs)</p>
<p>13</p>  <p>Slat Roll (10 pcs)</p>	<p>14</p>  <p>Center Rail (2 pcs)</p>	<p>15</p>  <p>Support leg (4 pcs)</p>

ASSEMBLY INSTRUCTIONS

WF307327

HARDWARE LIST IN

A

Short Bolt (8 pcs)
(Ø 5/16 "X25mm)

B

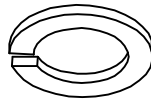
Long Bolt (10 pcs)
(Ø 5/16 "X38mm)

C

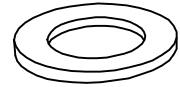
Long Bolt (4 pcs)
(Ø 5/16 "X32mm)

D

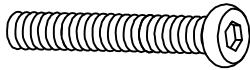
Allen Wrench (1 pc)
(M4x75mm x32mm)

E

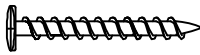
Spring Washer (40 pcs)
(Ø 5/16 "-RBW)

F

Flat Washer (40 pcs)
(Ø 5/16 "-RBW)

G

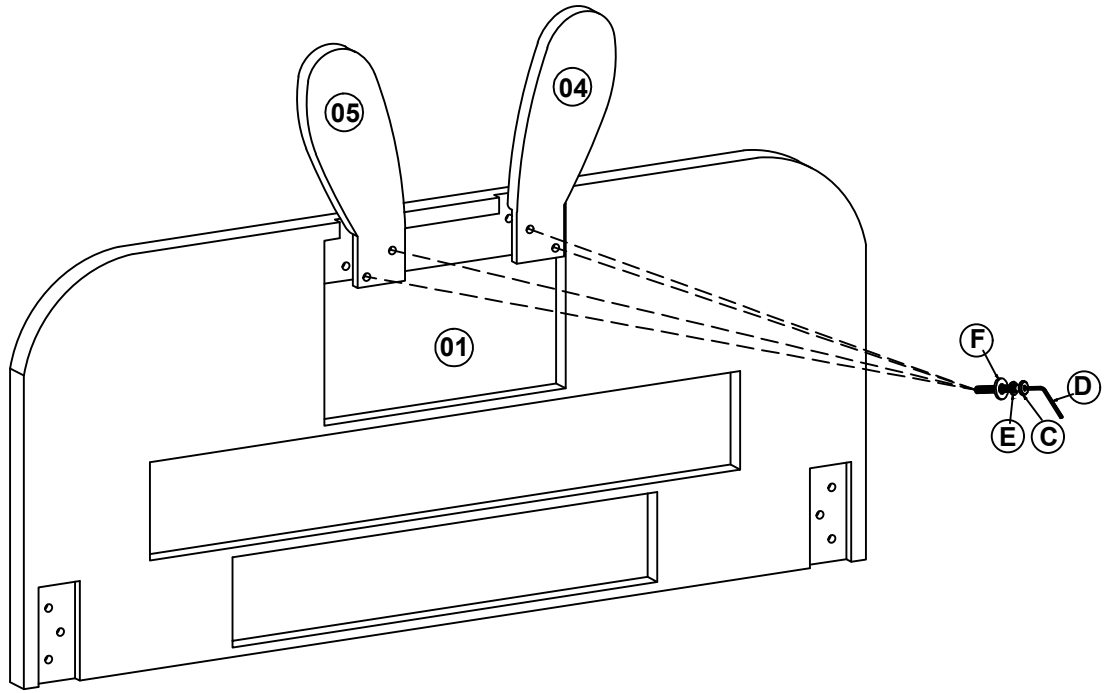
Long Bolt (18 pcs)
(Ø 5/16 "X50mm)





H

Flat Head Screw (24 pcs)
(m4x30mm-RBW)

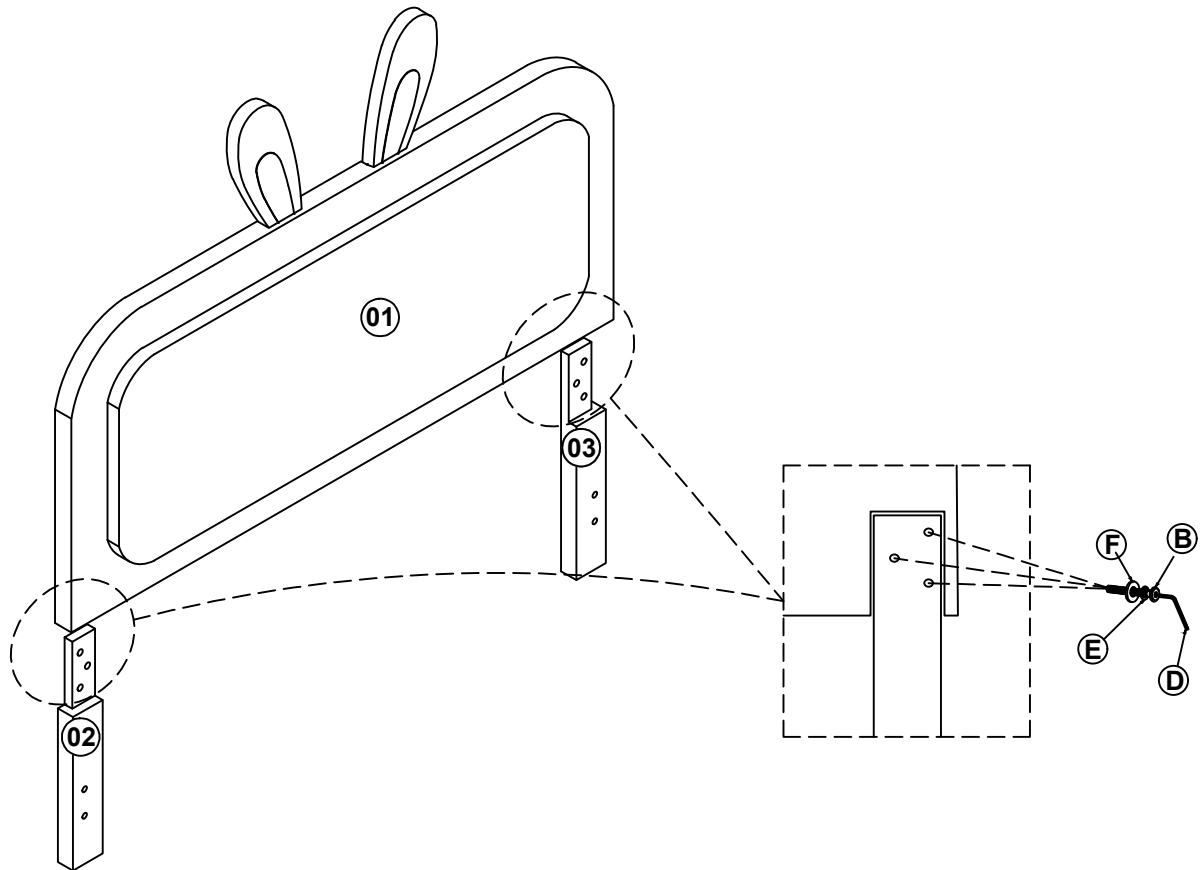
ASSEMBLY INSTRUCTIONS





STEP 1



C	Bolt (Ø 5/16 "X32mm)		4pcs	E	Spring Washer (Ø 5/16 "-RBW)		4pcs
D	Allen Wrench (M4x75mm x32mm)		1pc	F	Flat Washer (Ø 5/16 "-RBW)		4pcs

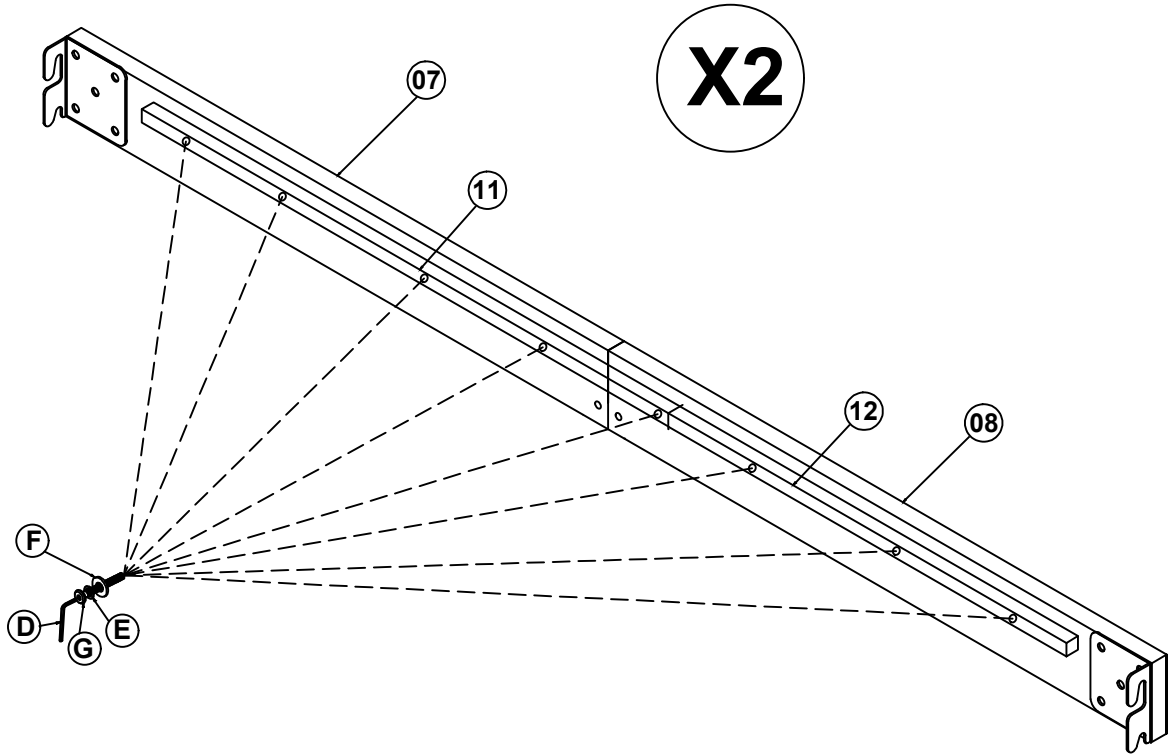
STEP 2







B		(Ø 5/16 "X38mm)	6pcs	E	Spring Washer (Ø 5/16 "-RBW)		6pcs
D		(M4x75mm x32mm)	1pc	F	Flat Washer (Ø 5/16 "-RBW)		6pcs

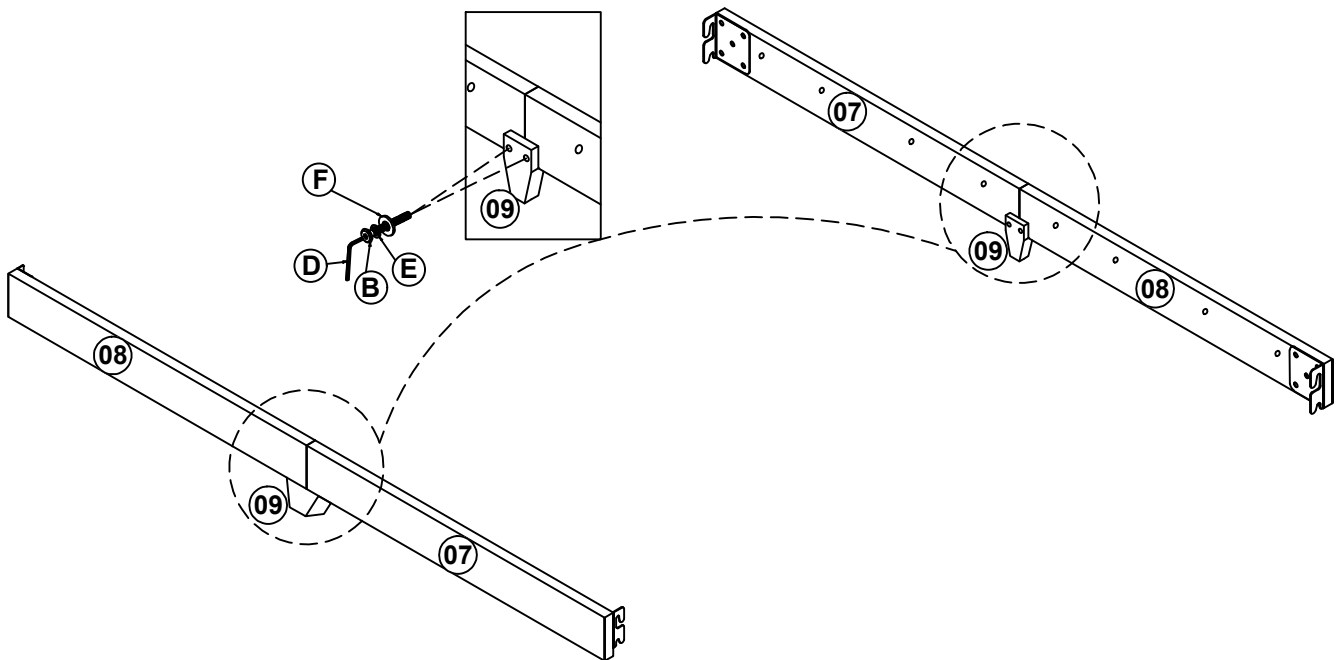
ASSEMBLY INSTRUCTIONS





STEP 3



G	Bolt (Ø 5/16 "X50mm)		16pcs	E	Spring Washer (Ø 5/16 "-RBW)		16pcs
D	Allen Wrench (M4x75mm x32mm)		1pc	F	Flat Washer (Ø 5/16 "-RBW)		16pcs

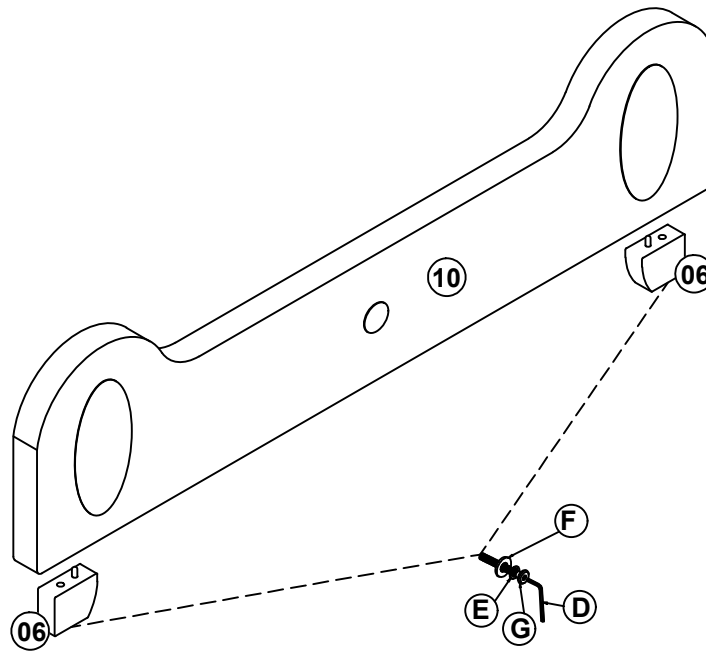
STEP 4







B	Bolt (Ø 5/16 "X38mm)		4pcs	E	Spring Washer (Ø 5/16 "-RBW)		4pcs
D	Allen Wrench (M4x75mm x32mm)		1pc	F	Flat Washer (Ø 5/16 "-RBW)		4pcs

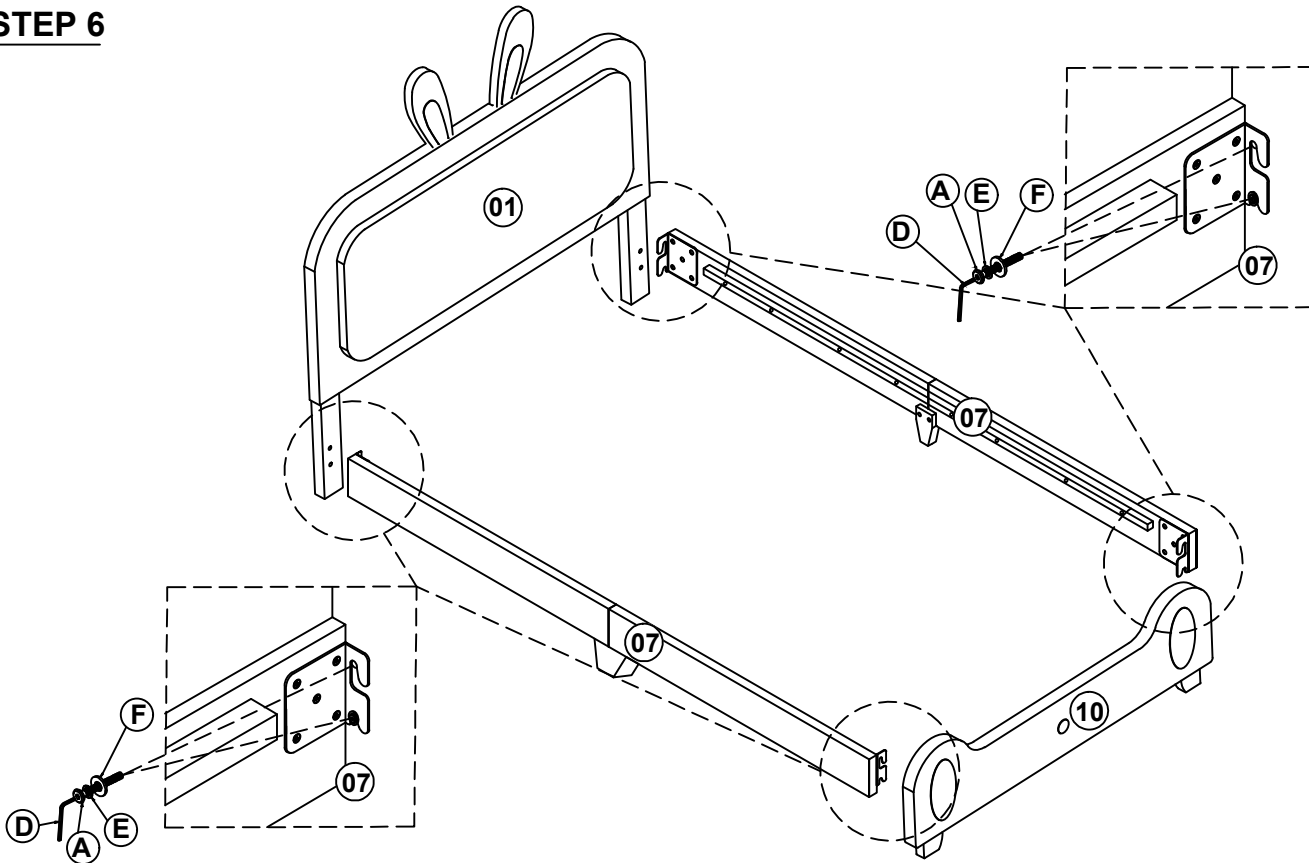
ASSEMBLY INSTRUCTIONS





STEP 5



G	Bolt (Ø 5/16 "X50mm)		2pcs	E	Spring Washer (Ø 5/16 "-RBW)		2pcs
D	Allen Wrench (M4x75mm x32mm)		1pc	F	Flat Washer (Ø 5/16 "-RBW)		2pcs

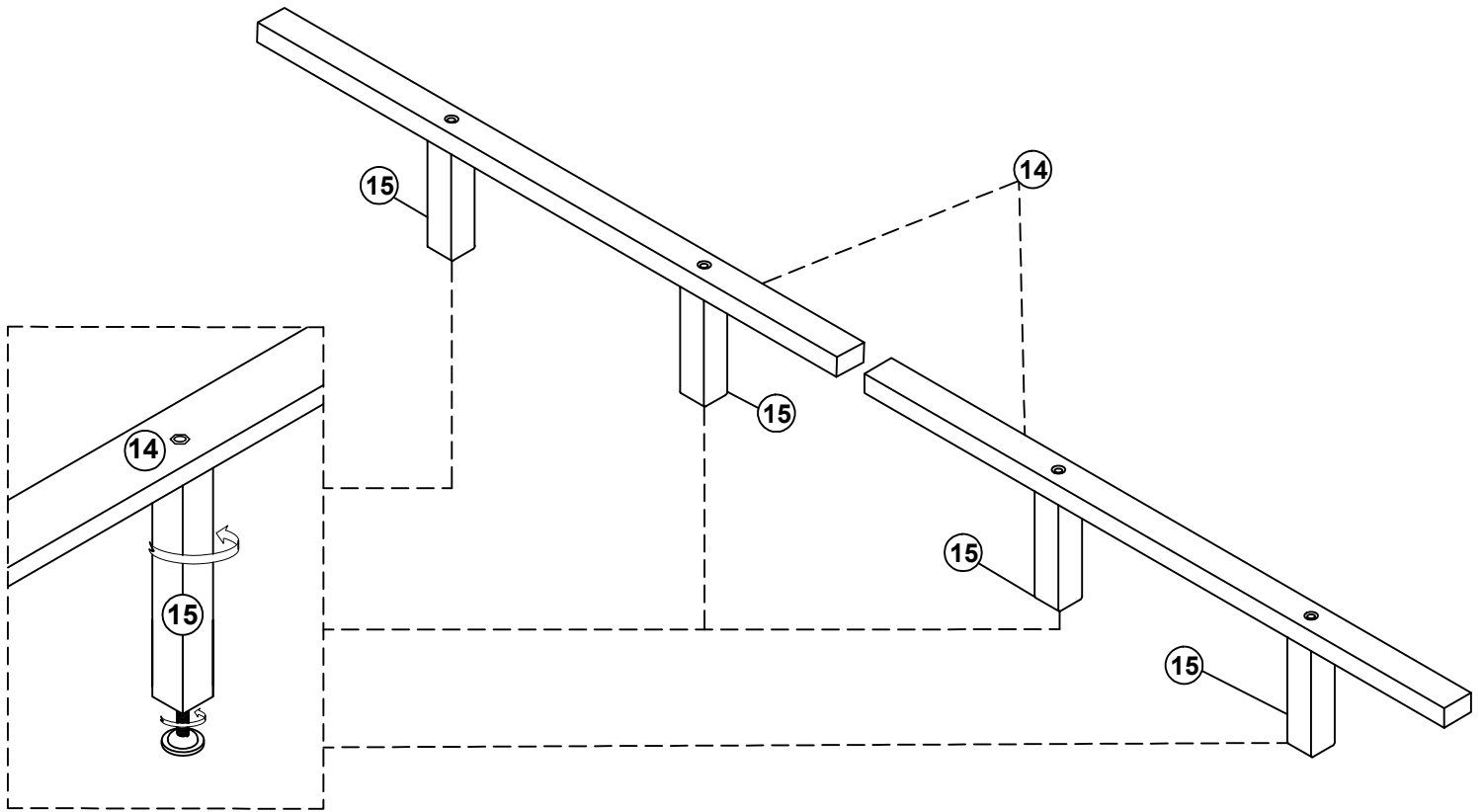
STEP 6



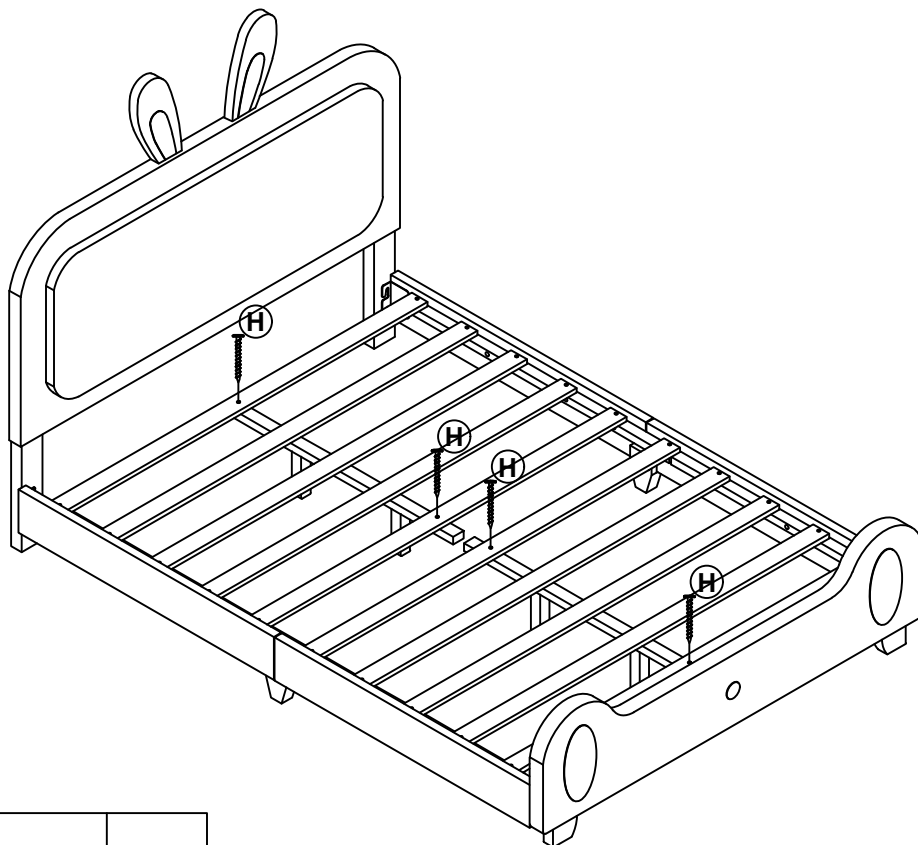
A	Bolt (Ø 5/16 "X25mm)		8pcs	E	Spring Washer (Ø 5/16 "-RBW)		8pcs
D	Allen Wrench (M4x75mm x32mm)		1pc	F	Flat Washer (Ø 5/16 "-RBW)		8pcs

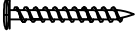
ASSEMBLY INSTRUCTIONS

STEP 7



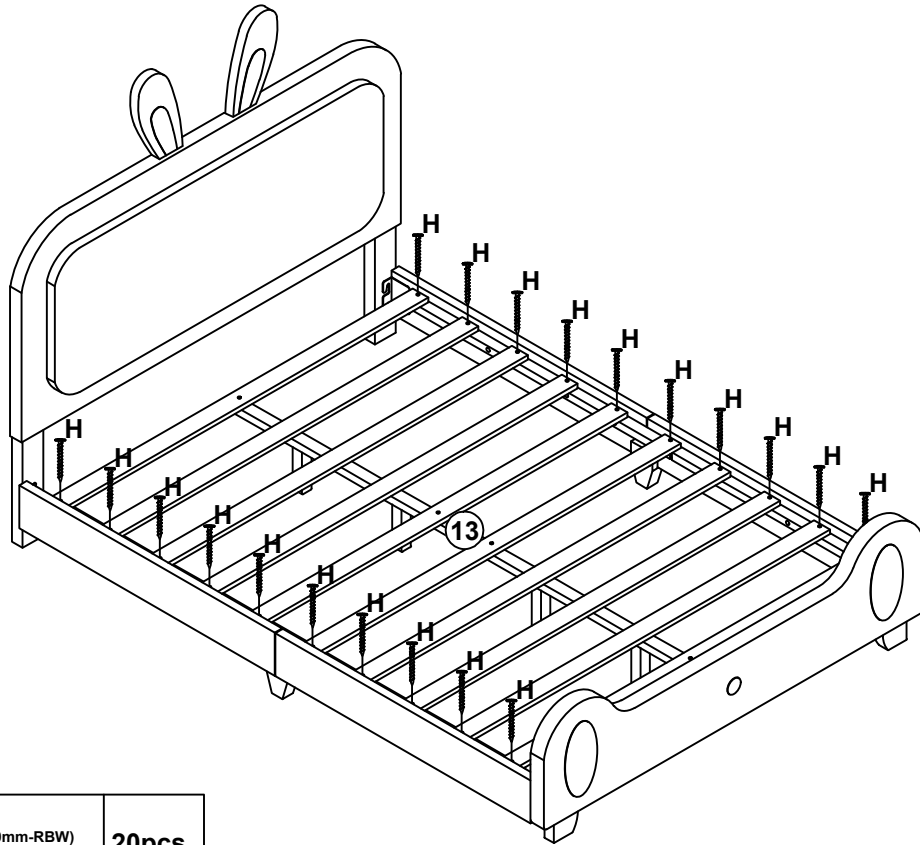
STEP 8



E		(m4x30mm-RBW)	4pcs
---	---	---------------	------

ASSEMBLY INSTRUCTIONS

STEP 9



E		(m4x30mm-RBW)	20pcs
---	---	---------------	-------

STEP 10

COMPLETE

