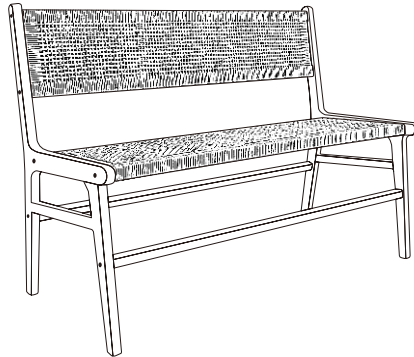


Assembly Instructions

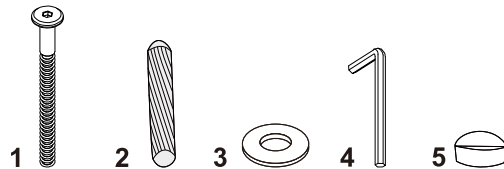
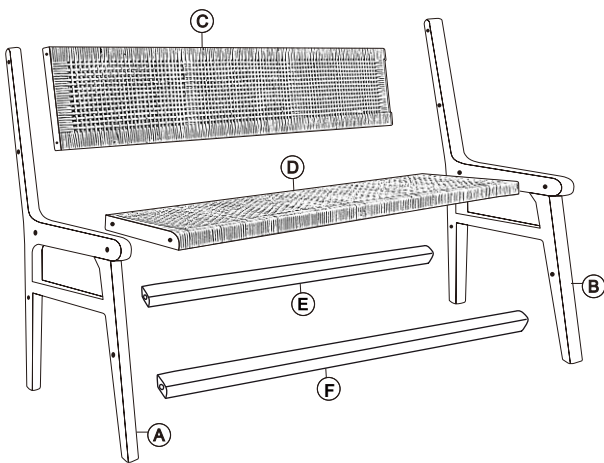


PARTS LIST :

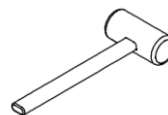
A : RIGHT SIDE FRAME	1 PCS
B : LEFT FRAME	1 PCS
C : BACKSTAND FRAME	1 PCS
D : SEATING FRAME	1 PCS
E : SUPPORT BAR	2 PCS

HARDWARE LIST :

1 : BOLT - M6 x 50 mm	12 PCS
2 : WOODEN DOWEL x 50 mm	8 PCS
3 : BOLT RING - M6	12 PCS
4 : L KEY	1 PCS
5 : WOOD BUTTON	12 PCS



TOOLS REQUIRED (NOT INCLUDED) :



Mallet

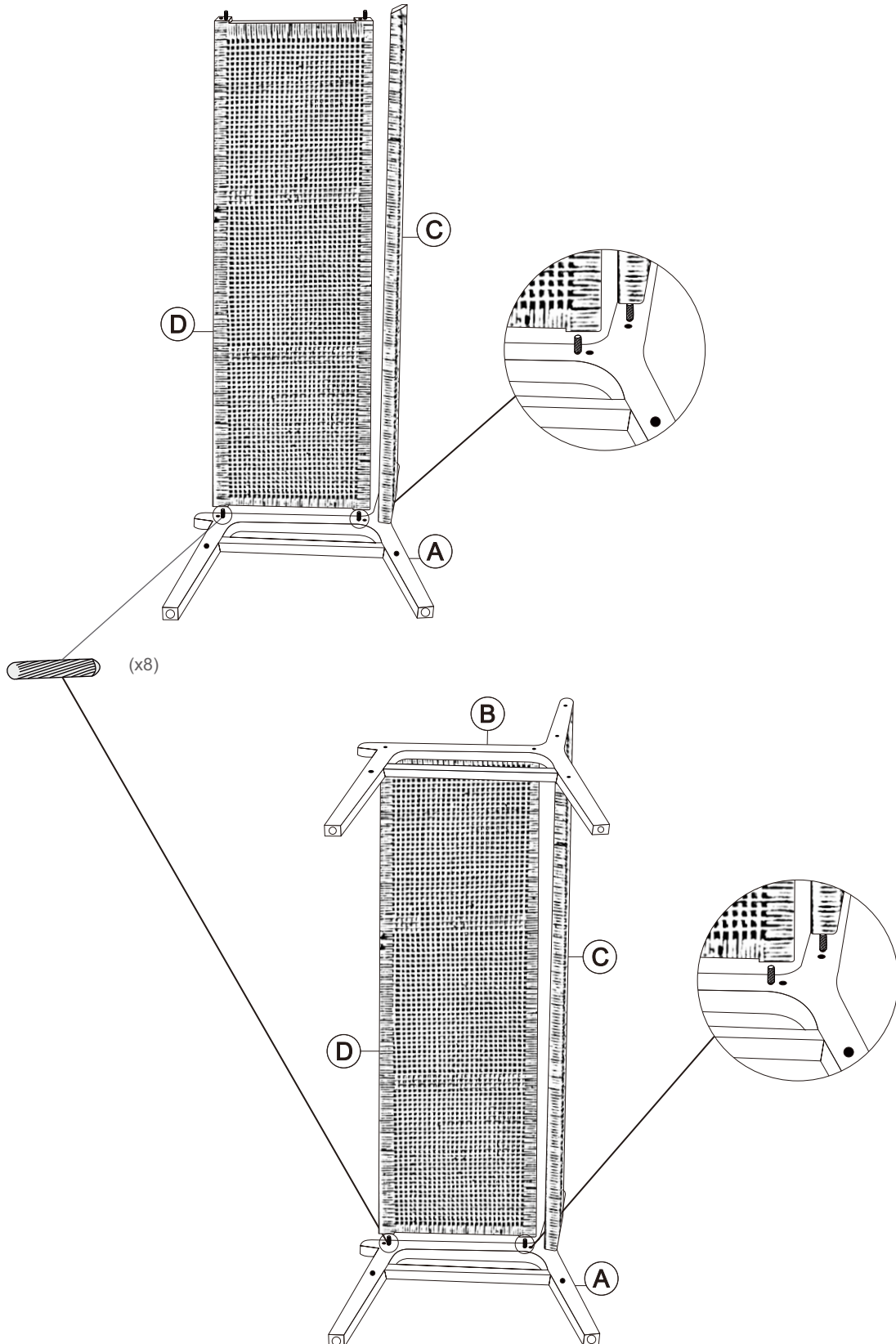
IMPORTANT NOTE :

- Place all wooden parts on a clean and smooth surface such as a rug or carpet to avoid the parts from being scratched. Check to be sure that you have all parts and hardware. Remove all wrapping materials before you start to assemble. Do not tighten all screws/bolts until all completely assembled.
- Keep all hardware parts out of reach of children.
- **DO NOT TIGHTEN BOLTS/SCREWS UNTIL ALL COMPLETELY ASSEMBLED.**

Assembly Instructions

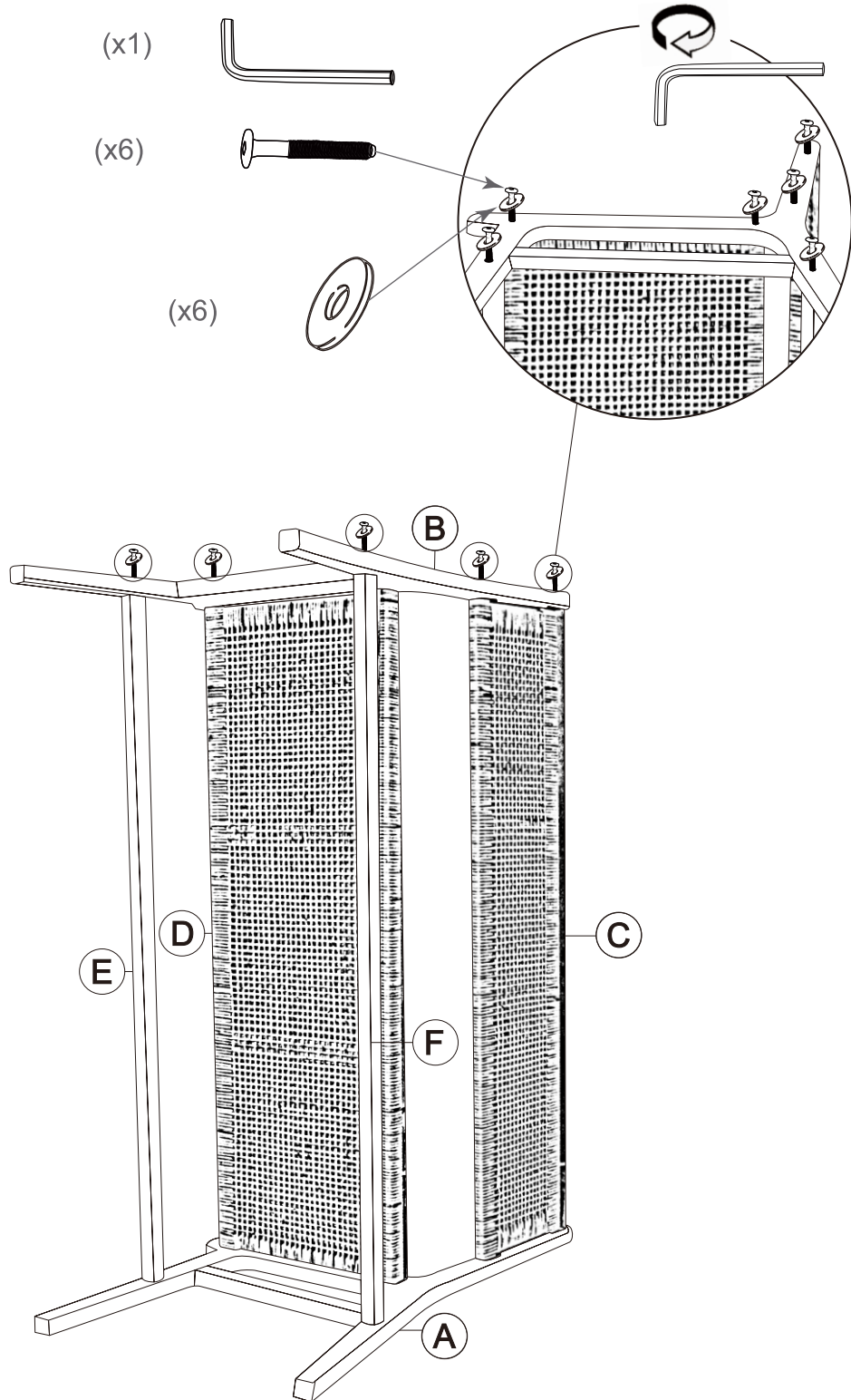
1

Do not tighten connections all the way



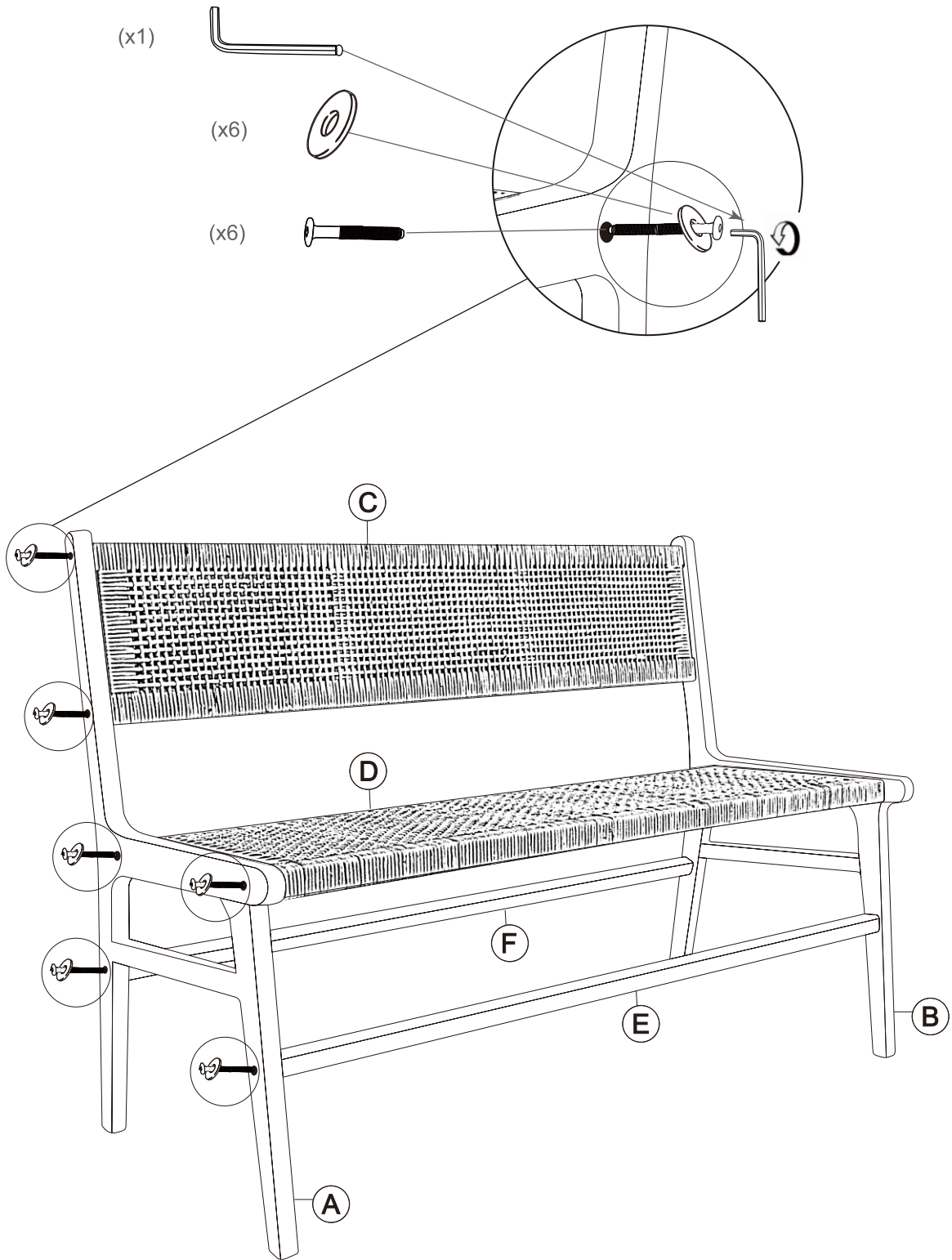
Assembly Instructions

2



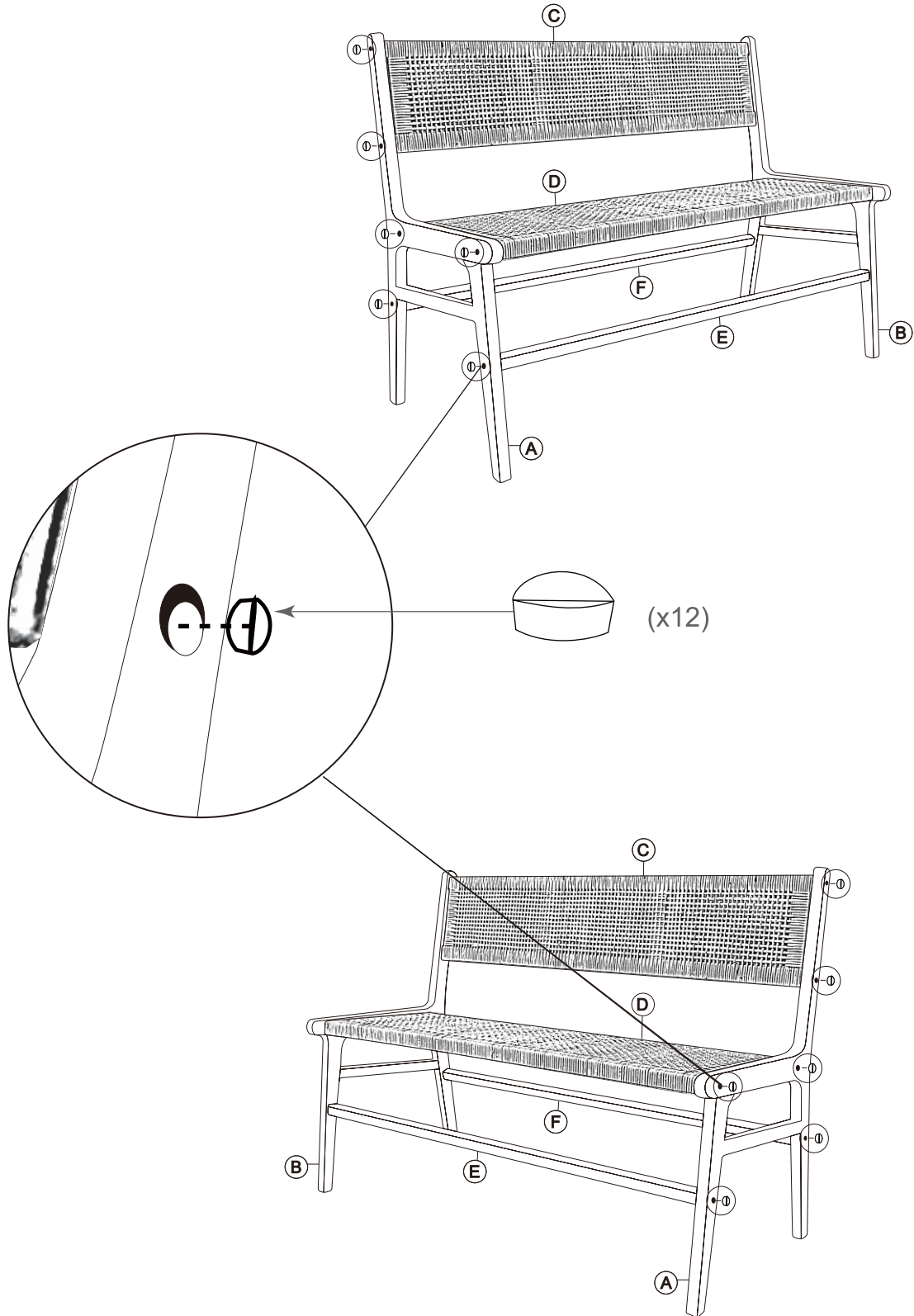
Assembly Instructions

3



Assembly Instructions

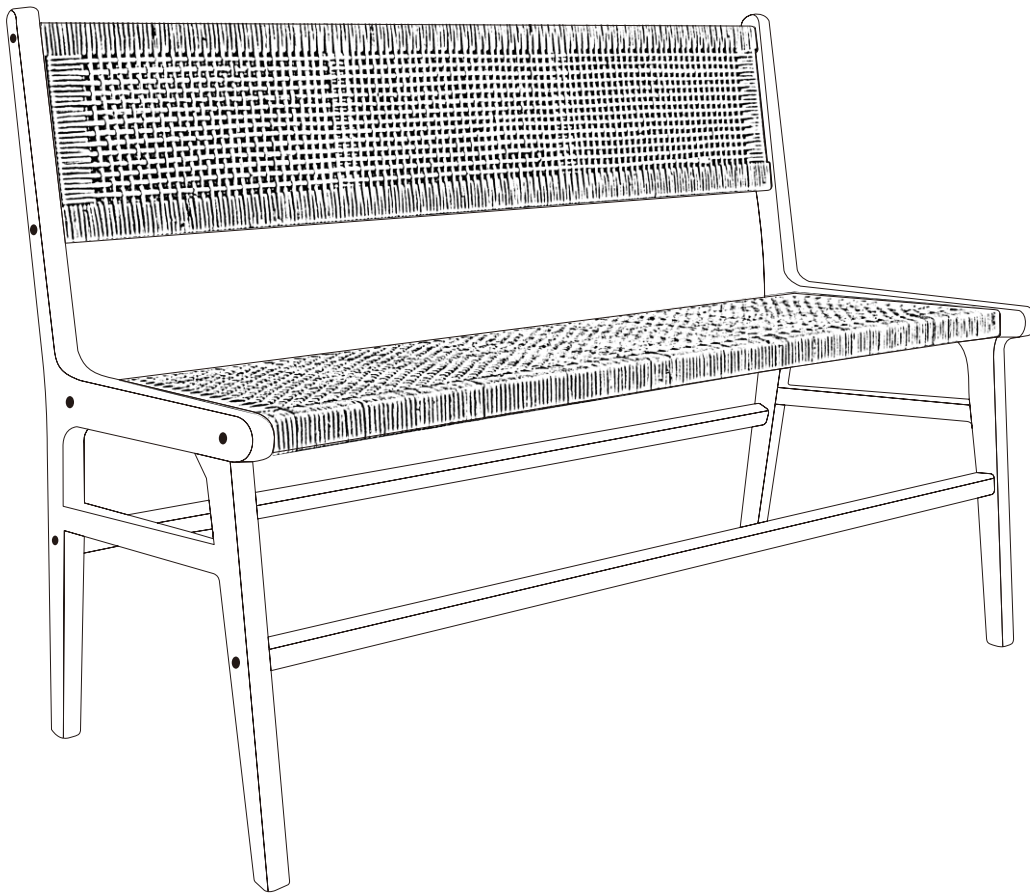
4



Assembly Instructions

5

Make sure all connections are tightened 100%



CARE AND MAINTENANCE

- The touch of a soft cloth is all the maintenance your wood pieces will ever need. Never use harsh chemical or abrasive cleaners, as they could mark or destroy finish.
- Bolts, screws, and nuts may loosen during everyday use. They should be periodically inspected and re-tightened. Always visually check that all hardware on the list is attached and kept tightened.