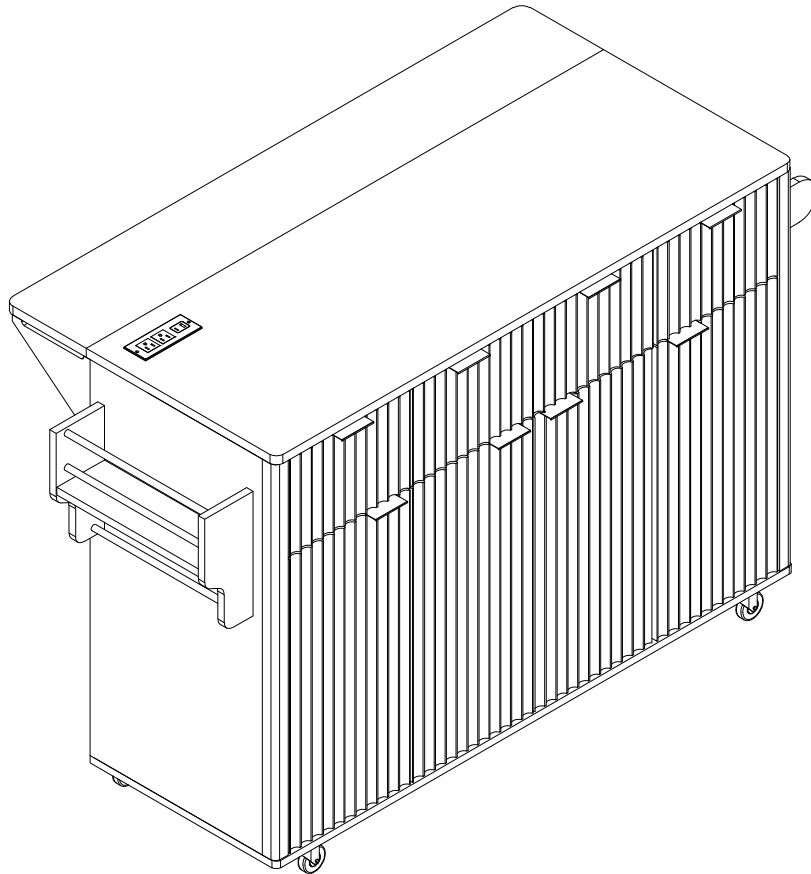


# Kitchen Island Carts

**Assembly Instructions - Please keep for future reference**



## Dimensions

Width-55.5inch

Depth-17.75inch+11inch

Height-35.9inch

**Important – Please read these instructions fully before starting assembly**

Issue 1 - 08/23/25



# Safety and Care Advice

**Important – Please read these instructions fully before starting assembly**

- Check you have all the components and tools listed on the following pages.
- Remove all fittings from the plastic bags and separate them into their groups.
- Keep children and animals away from the work area, small parts could choke if swallowed.
- Make sure you have enough space to layout the parts before starting.

- During assembly do not stand or put weight on the product, this could cause damage.
- Assemble the item as close to its final position (in the same room) as possible.
- Assemble on a soft level surface to avoid damaging the unit or your floor.
- Parts of the assembly will be easier with 2 people.



power drill is set on a low torque setting.

- To reduce the likelihood of damaging your product please ensure that your

## Care and maintenance

• Only clean using a damp cloth and mild detergent, do not use bleach or abrasive cleaners.

• From time to time check that there are no loose screws on this unit.

• This product should not be discarded with household waste. Take to your local authority waste disposal centre.

## Handy Hints

• Assemble all parts and bolts loosely during assembly, only once the product is complete should you fully tighten the bolts

• Regularly check and ensure That all bolts and fittings are tightened properly.

## **WARNING** In order to help prevent overturning – please follow these instructions

To help prevent product toppling over please follow the below steps:-

Use the anti tip strap or wall fixing method provided (if applicable)  
Do not allow children to climb or hang on the furniture  
Do not open more than one drawer at a time  
Do not place heavy items in the top drawers  
Do not place heavy items on top of the furniture, unless the furniture has been designed for this purpose

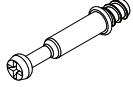

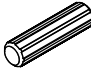

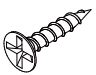
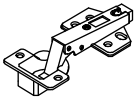
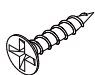
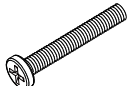

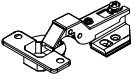
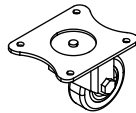
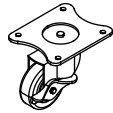
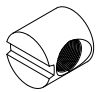
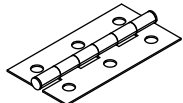
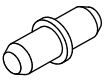
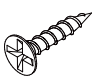
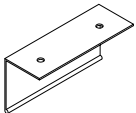
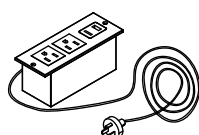
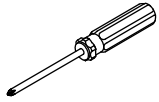
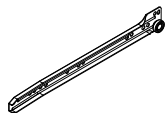

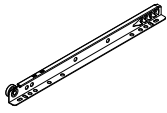
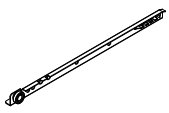
Please note that only the anti tip strap is provided.

You will need to provide wall plugs and screws applicable for your wall type

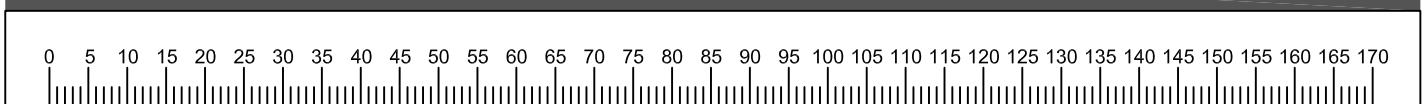
# Components - Fittings

Please check you have all the panels listed below

Note: The quantities below are the correct amount to complete the assembly. In some cases more fittings may be supplied than are required.

 (A) Cam Bolt x 43	 (B) Cam lock x 43	 (C) 6*30mm Dowel x 22	 (D) 4*35mm Screw x 25
 (E) 3*12mm Screw x 36	 (F) Hinge x 4	 (G) 3.5*12mm Screw x 2	 (H) 6*50mm Screw x 4
 (I) 6*14mm Screw x 20	 (J) Hinge x 4	 (K) Caster x 3	 (L) Locking caster x 2
 (M) Nut x 4	 (N) hinge x 7	 (O) Pivot x 12	 (P) 3.5*12mm Screw x 106
 (Q) Hold hands x 8	 (R) x 1	 (T) Screwdriver x 1	
 (CR) Runner 300mm x 3	 (CL) Runner 300mm x 3	 (DR) Runner 300mm x 3	 (DL) Runner 300mm x 3

Ruler - Use this ruler to help correctly identify the screws



The screws length is measured from the head to the point (35mm screw shown).

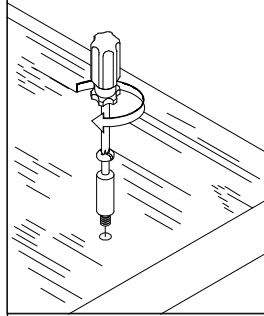
# Using Camlocks

## Step 1

Connect the male camlock as directed in the assembly instructions using a screwdriver.

1

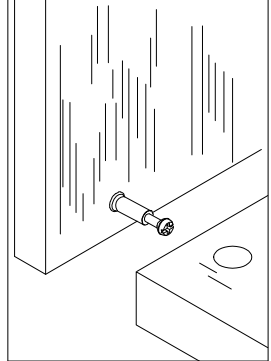
DO NOT OVER TIGHTEN.  
NE PAS SERRER EXCESSIVEMENT.



## Step 2

Push the male camlock into the entry hole.

2

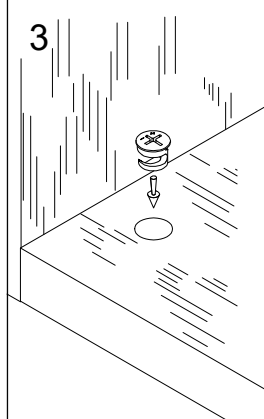


## Step 3

Insert the female camlock as shown in the instruction.

Note: ensure that the arrow on the top of the camlock points towards the entry hole for the male camlock.

3



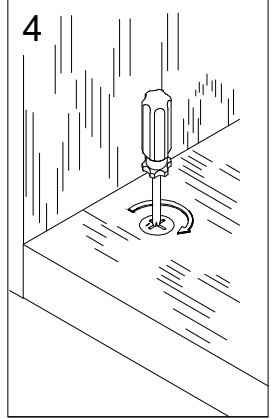
## Step 4

Turn the female camlock clockwise with a screwdriver.

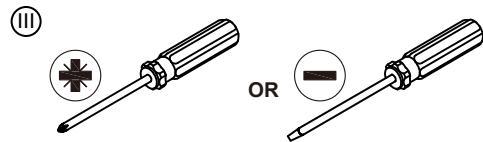
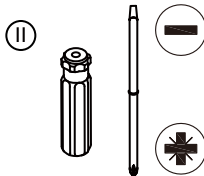
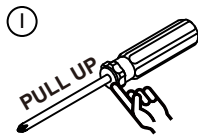
You should feel a click when the camlock is locked in place.

The joint is now secure.

4

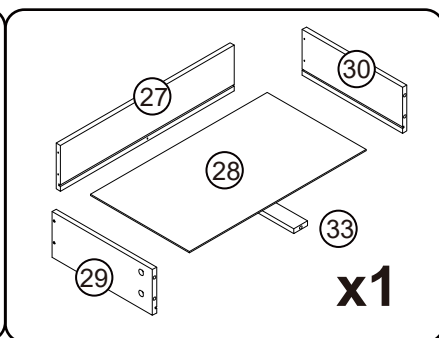
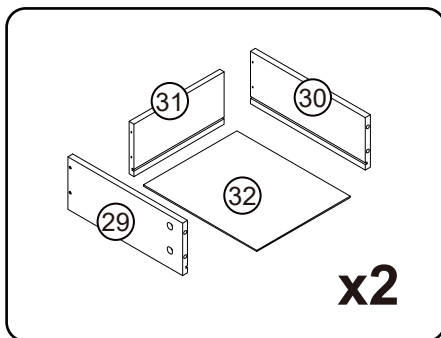
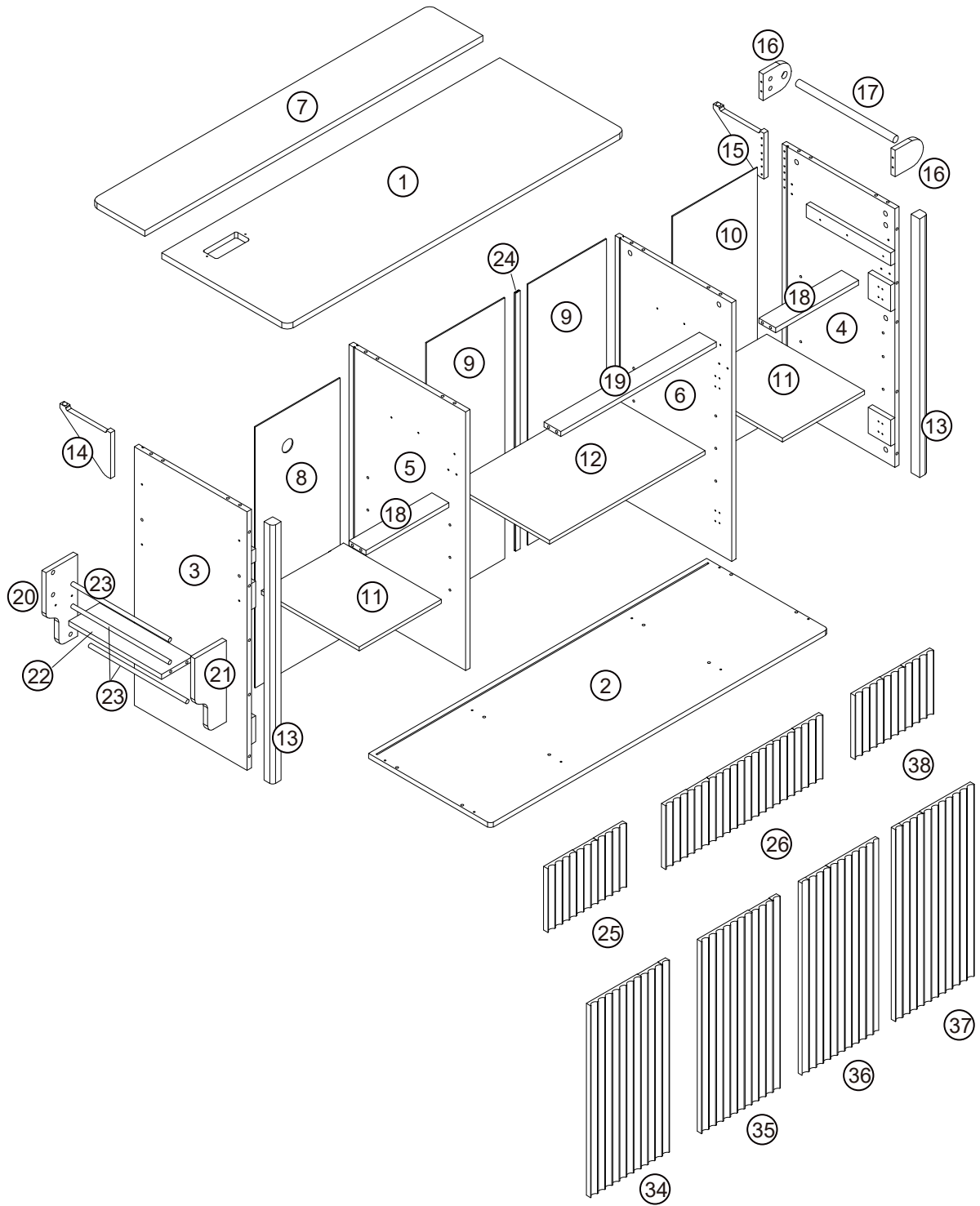


## Tools required

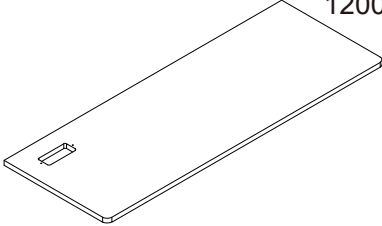
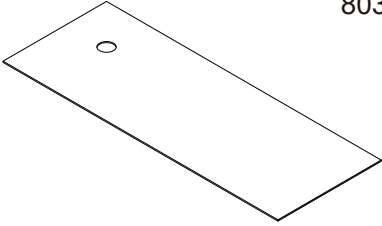
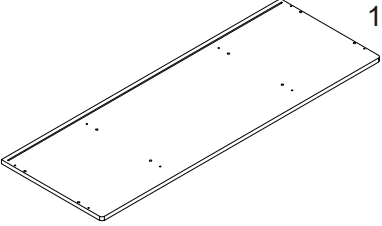
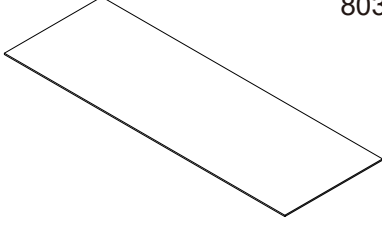
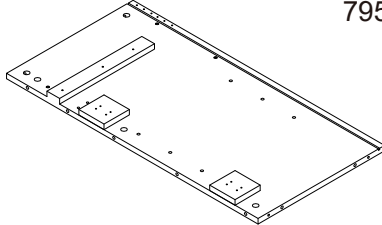
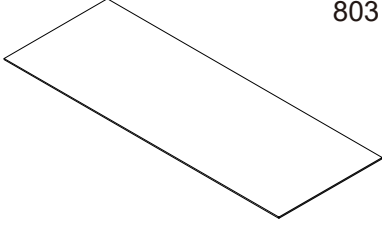
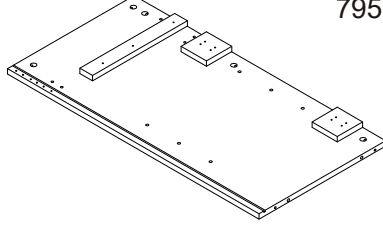
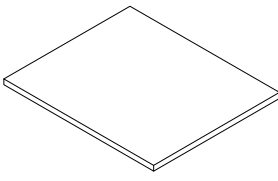
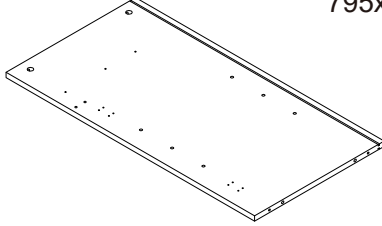
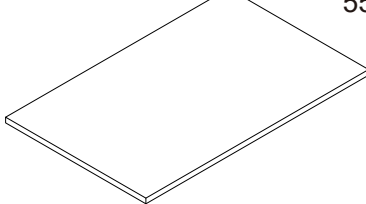
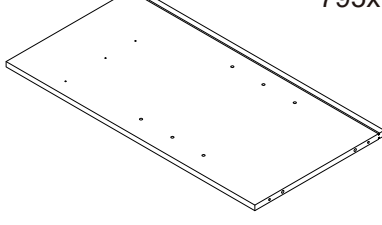
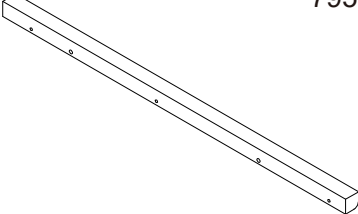
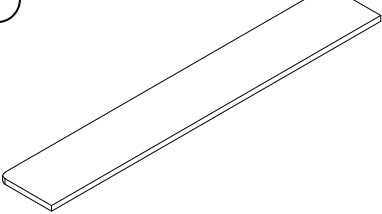
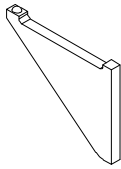


Screwdrivers can be converted to Phillips and Slotted.

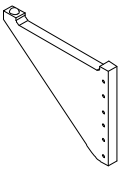
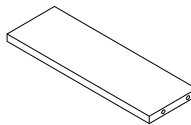
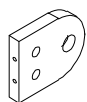
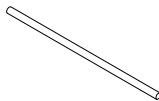
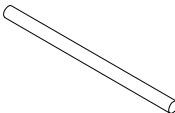
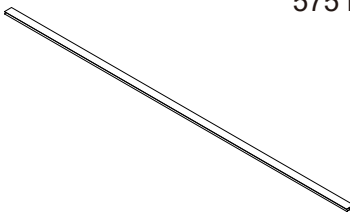
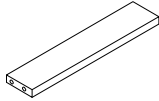
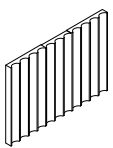
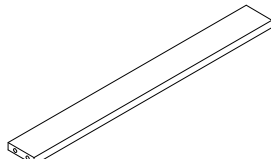
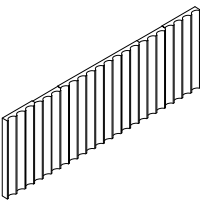

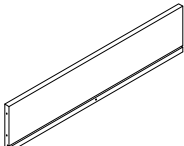
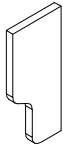
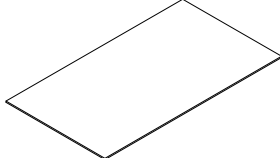
# Assembly Instructions



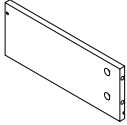
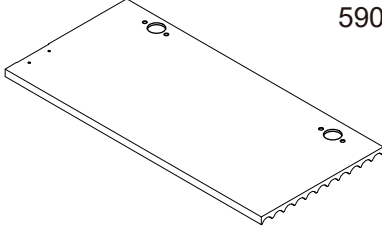
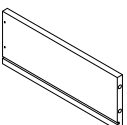
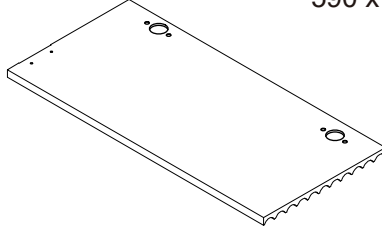
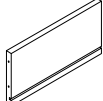
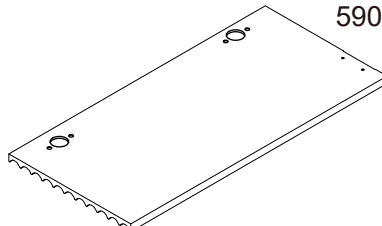
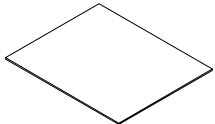
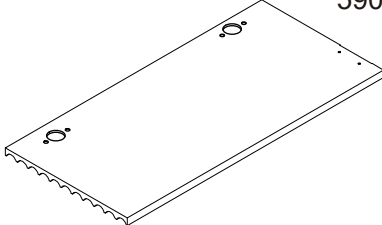
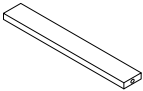
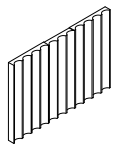
# Assembly Instructions

<p>① 1200 x 450 x 18 mm</p>  <p><b>1</b></p>	<p>⑧ 803 x 300 x 3 mm</p>  <p><b>1</b></p>
<p>② 1200 x 432 x 15 mm</p>  <p><b>1</b></p>	<p>⑨ 803 x 280 x 3 mm</p>  <p><b>2</b></p>
<p>③ 795 x 400 x 30 mm</p>  <p><b>1</b></p>	<p>⑩ 803 x 300 x 3 mm</p>  <p><b>1</b></p>
<p>④ 795 x 400 x 30 mm</p>  <p><b>1</b></p>	<p>⑪ 292 x 347 x 12 mm</p>  <p><b>2</b></p>
<p>⑤ 795x 414 x 15 mm</p>  <p><b>1</b></p>	<p>⑫ 552 x 347 x 12 mm</p>  <p><b>1</b></p>
<p>⑥ 795x 414 x 15 mm</p>  <p><b>1</b></p>	<p>⑬ 795 x 31x 30 mm</p>  <p><b>2</b></p>
<p>⑦ 1200 x 280 x 18 mm</p>  <p><b>1</b></p>	<p>⑭ 180 x 150 x 15 mm</p>  <p><b>1</b></p>

# Assembly Instructions

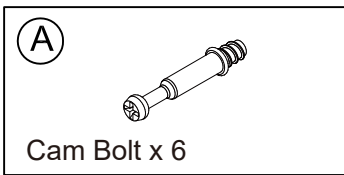
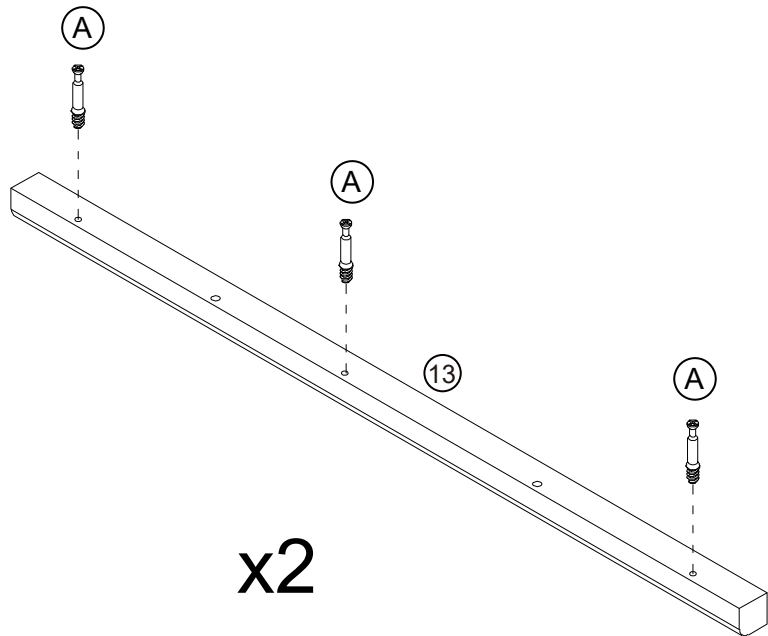
<p>15</p>  <p>180 x 150 x 15 mm</p> <p><b>1</b></p>	<p>22</p>  <p>330 x 110 x 15 mm</p> <p><b>1</b></p>
<p>16</p>  <p>100 x 81 x 15 mm</p> <p><b>2</b></p>	<p>23</p>  <p>346 x 12 x 12 mm</p> <p><b>3</b></p>
<p>17</p>  <p>346 x 20 x 20 mm</p> <p><b>1</b></p>	<p>24</p>  <p>575 mm</p> <p><b>1</b></p>
<p>18</p>  <p>292 x 60 x 15 mm</p> <p><b>2</b></p>	<p>25</p>  <p>280 x 165 x 15 mm</p> <p><b>1</b></p>
<p>19</p>  <p>552 x 60 x 15 mm</p> <p><b>1</b></p>	<p>26</p>  <p>563 x 165 x 15 mm</p> <p><b>1</b></p>
<p>20</p>  <p>250 x 112 x 15 mm</p> <p><b>1</b></p>	<p>27</p>  <p>504 x 115 x 12 mm</p> <p><b>1</b></p>
<p>21</p>  <p>250 x 112 x 15 mm</p> <p><b>1</b></p>	<p>28</p>  <p>512 x 295 x 3 mm</p> <p><b>1</b></p>

# Assembly Instructions

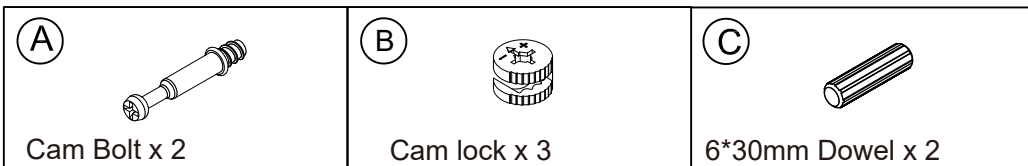
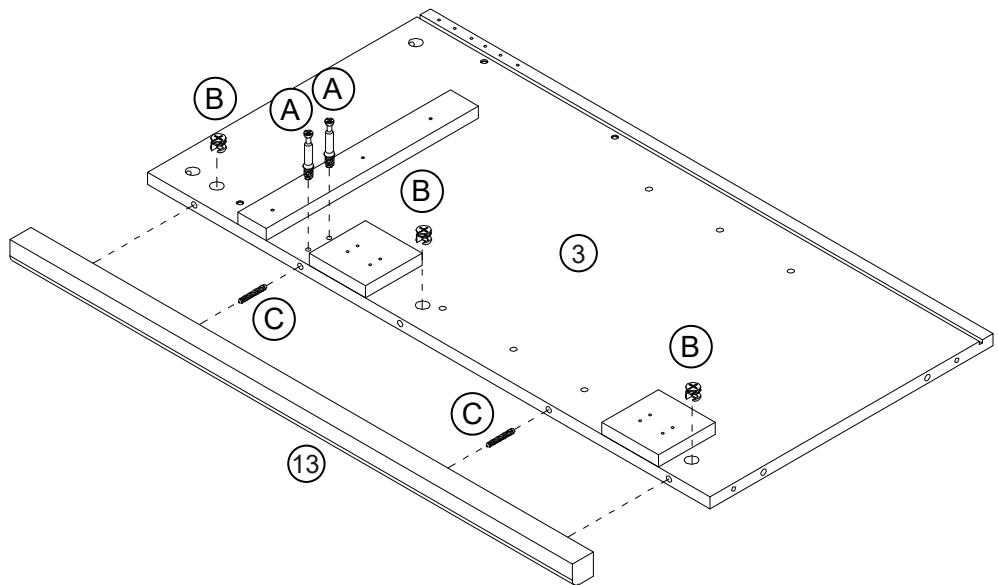
<p>②⑨</p> <p>300 x 115 x 12mm</p>  <p><b>3</b></p>	<p>③④</p> <p>590 x 280 x 15 mm</p>  <p><b>1</b></p>
<p>③⑩</p> <p>300 x 115 x 12 mm</p>  <p><b>3</b></p>	<p>③⑤</p> <p>590 x 280 x 15 mm</p>  <p><b>1</b></p>
<p>③①</p> <p>229 x 115 x 12 mm</p>  <p><b>2</b></p>	<p>③⑥</p> <p>590 x 280 x 15 mm</p>  <p><b>1</b></p>
<p>③②</p> <p>237 x 295 x 3 mm</p>  <p><b>2</b></p>	<p>③⑦</p> <p>590 x 280 x 15 mm</p>  <p><b>1</b></p>
<p>③③</p> <p>286 x 40 x 12 mm</p>  <p><b>1</b></p>	<p>③⑧</p> <p>280 x 165 x 15 mm</p>  <p><b>1</b></p>

# Assembly Instructions

## Step 1

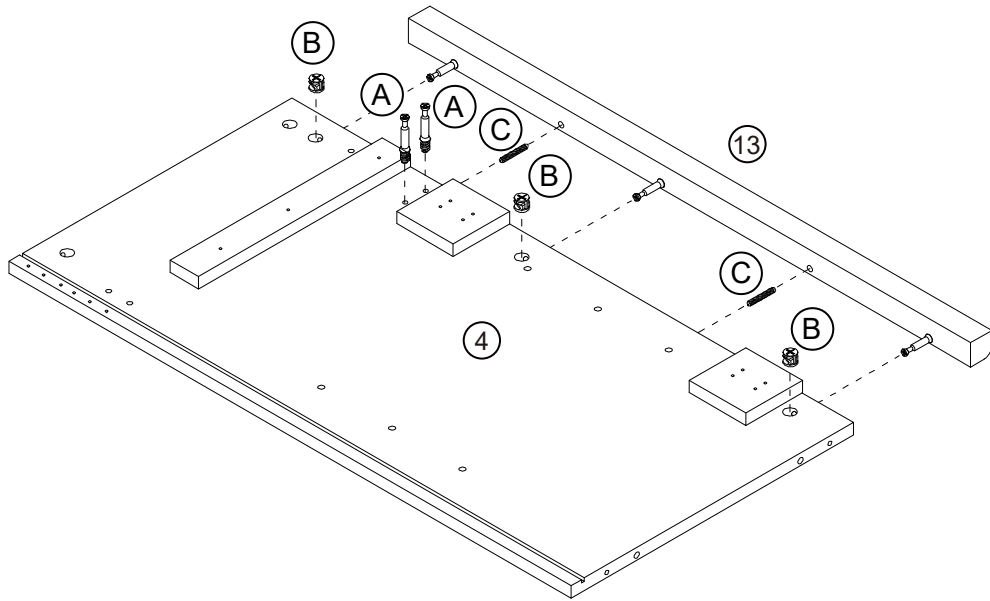


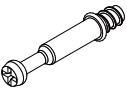

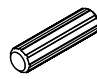
## Step 2



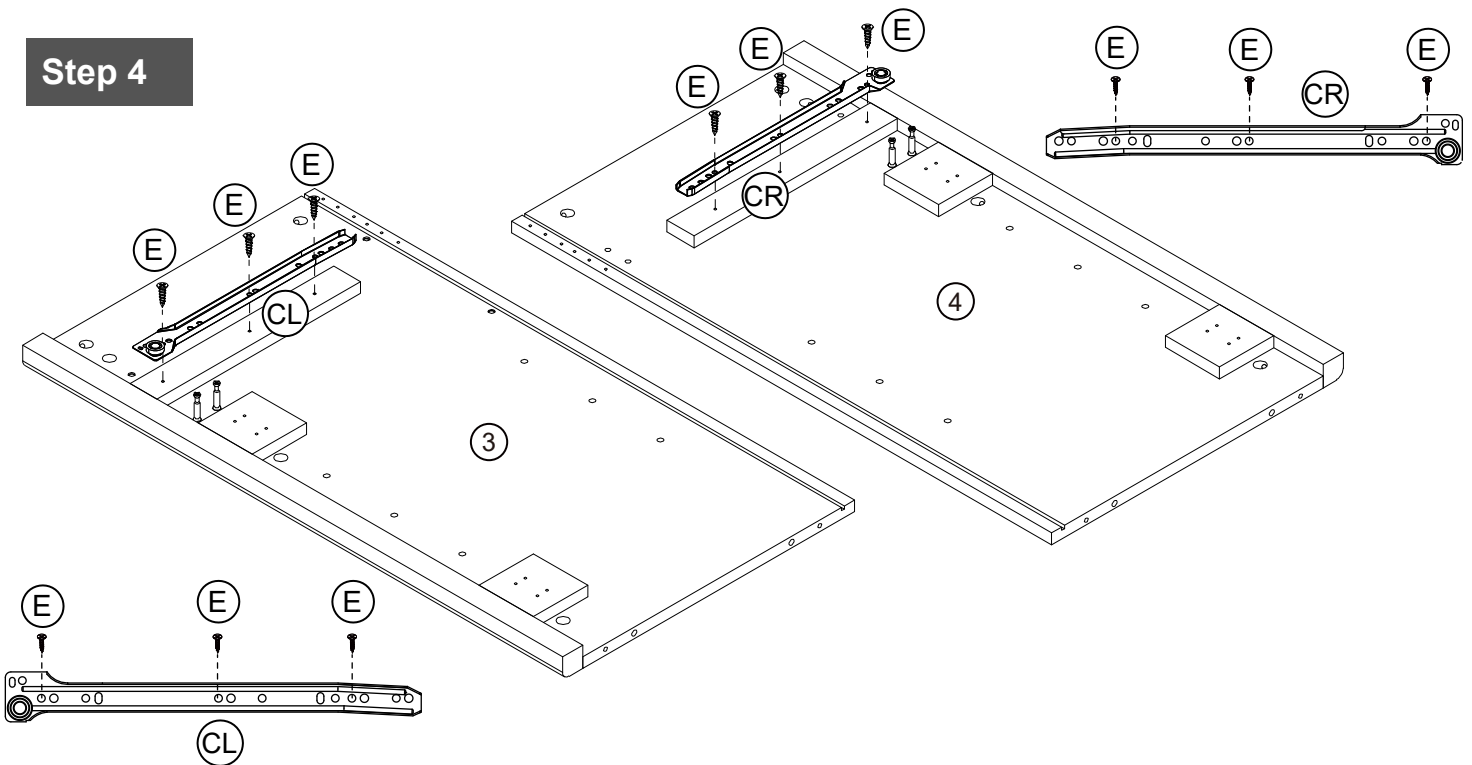
# Assembly Instructions

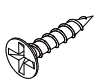

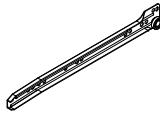
## Step 3



<p><b>(A)</b></p>  <p>Cam Bolt x 2</p>	<p><b>(B)</b></p>  <p>Cam lock x 3</p>	<p><b>(C)</b></p>  <p>6*30mm Dowel x 2</p>
--	--	--

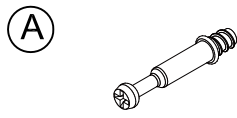
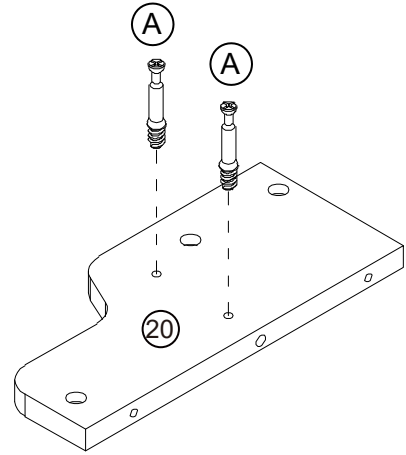
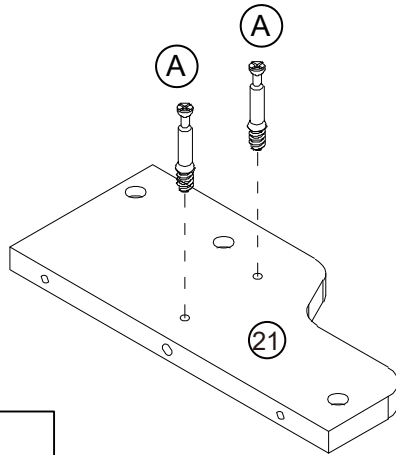
## Step 4



<p><b>(E)</b></p>  <p>3*12mm Screw x 6</p>	<p><b>(CL)</b></p>  <p>Runner 300mm x 1</p>	<p><b>(CR)</b></p>  <p>Runner 300mm x 1</p>
---	--	---

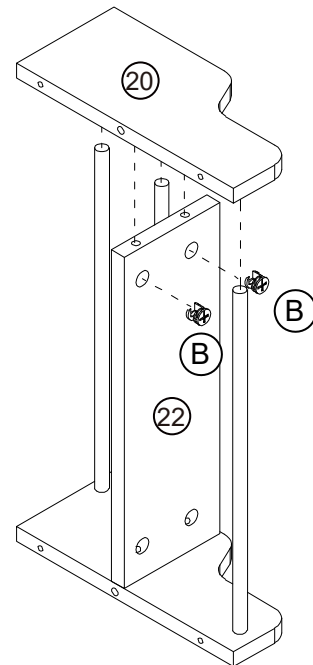
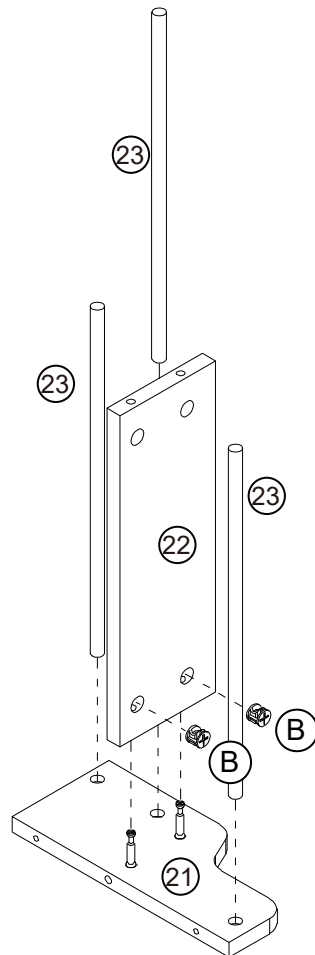
# Assembly Instructions

## Step 5



Cam Bolt x 4

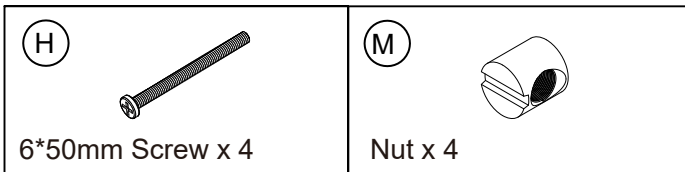
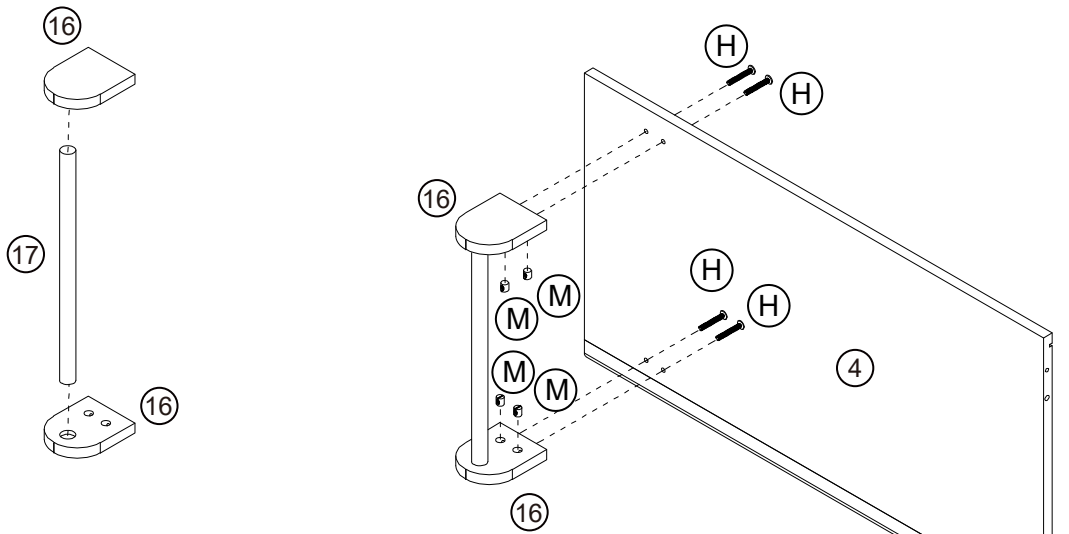
## Step 6



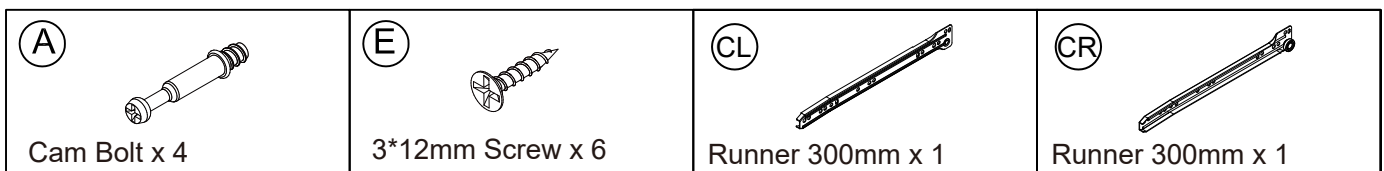
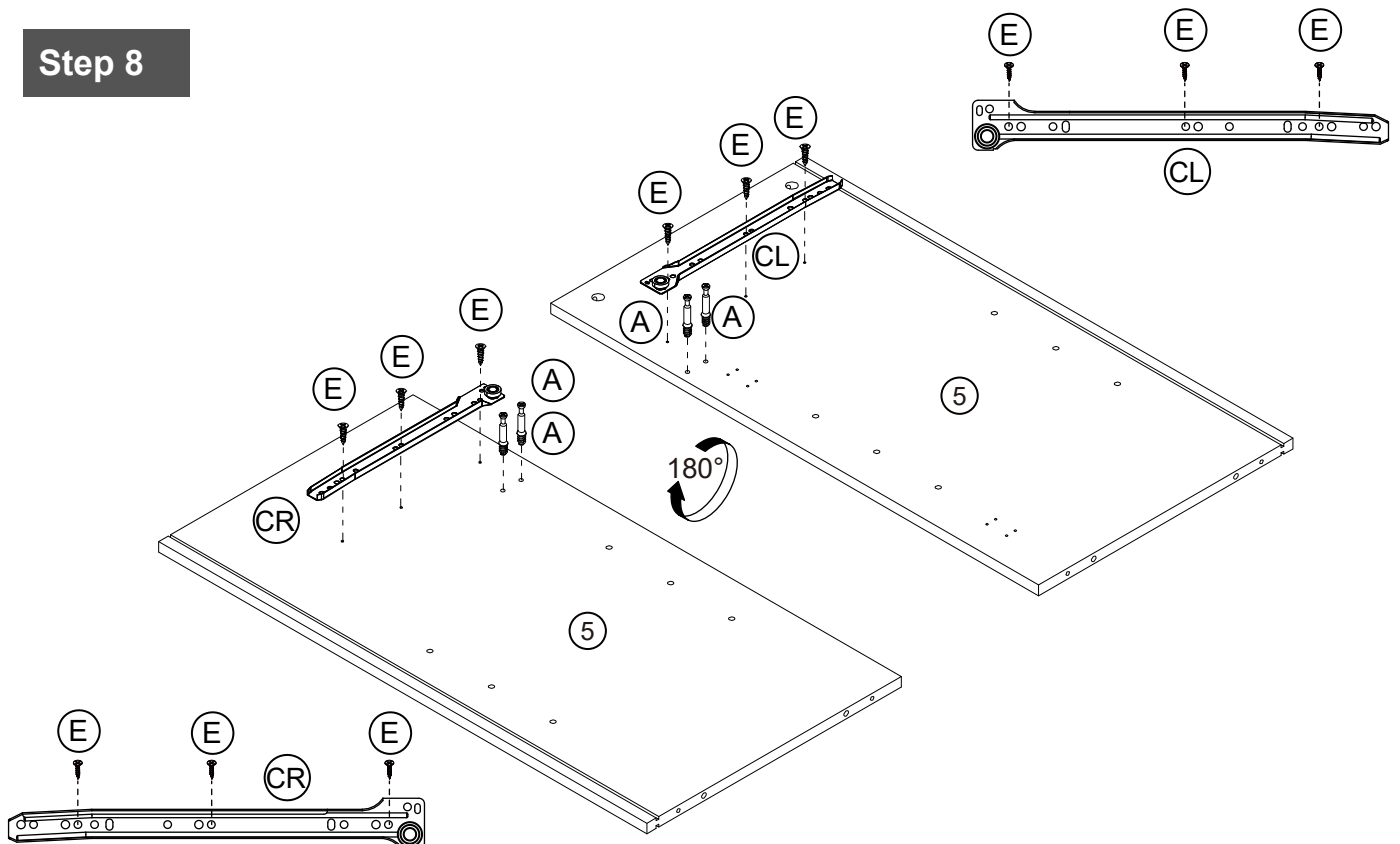
Cam lock x 4

# Assembly Instructions

## Step 7

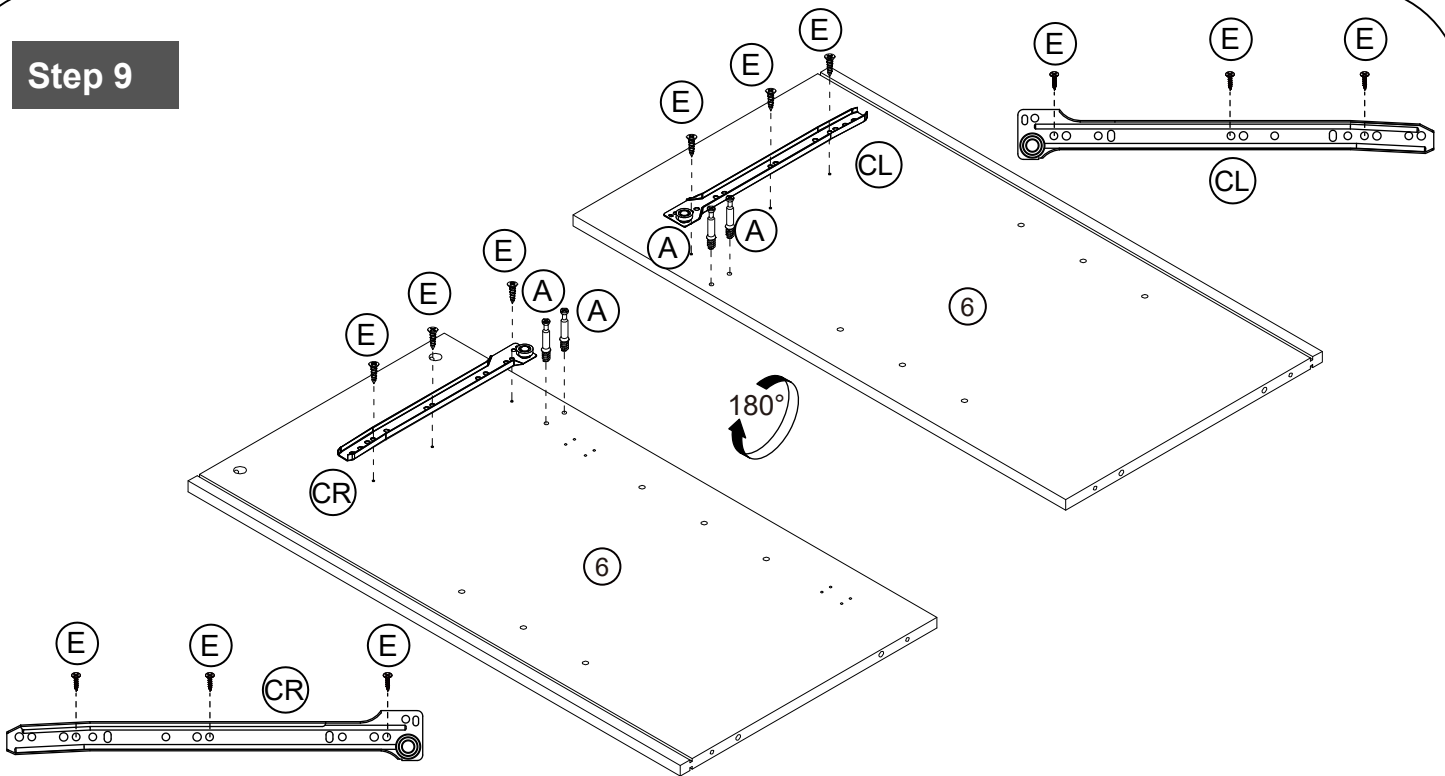


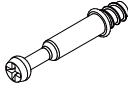


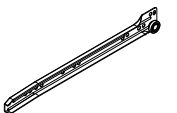
## Step 8



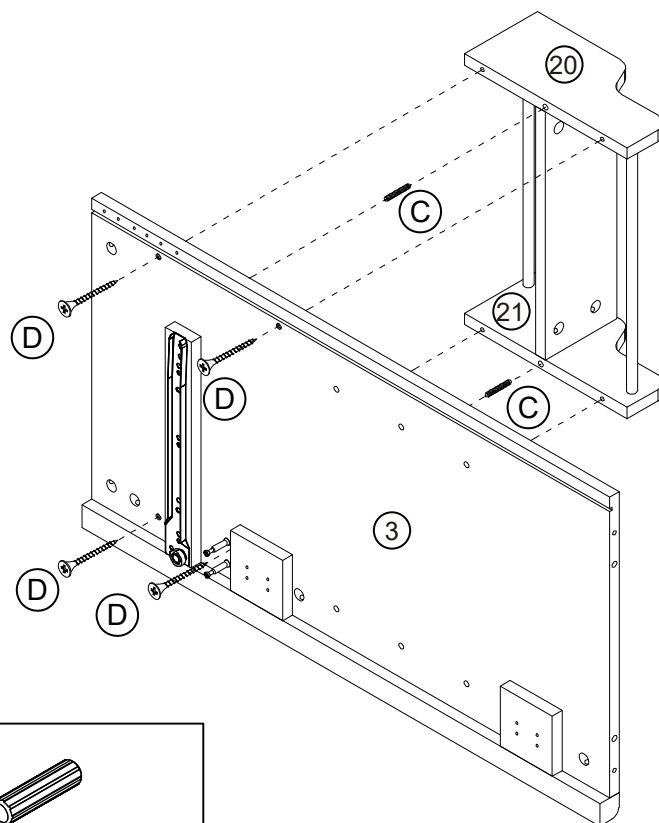
# Assembly Instructions


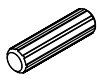
## Step 9



 <p><b>A</b> Cam Bolt x 4</p>	 <p><b>E</b> 3*12mm Screw x 6</p>	 <p><b>CL</b> Runner 300mm x 1</p>	 <p><b>CR</b> Runner 300mm x 1</p>
--	--	--	---

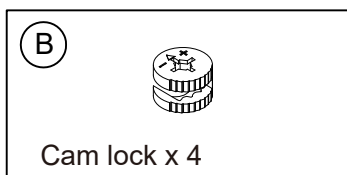
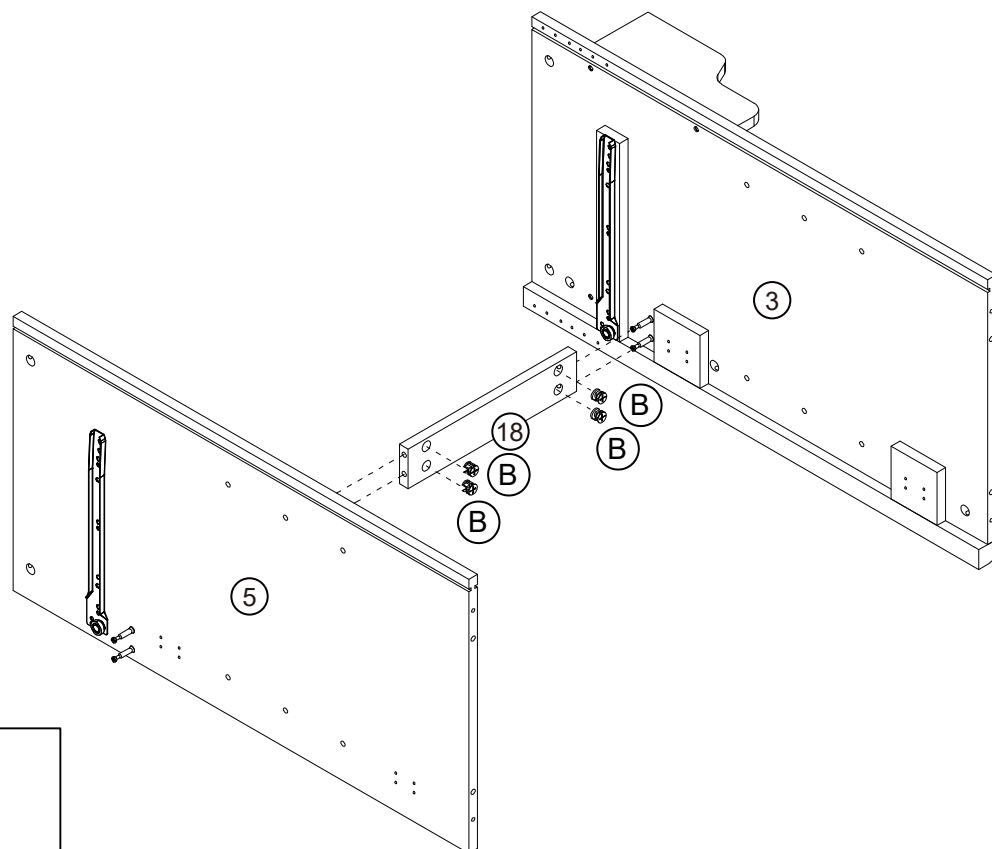
## Step 10



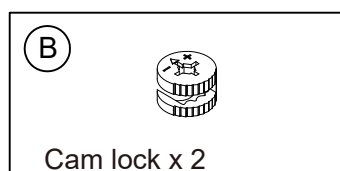
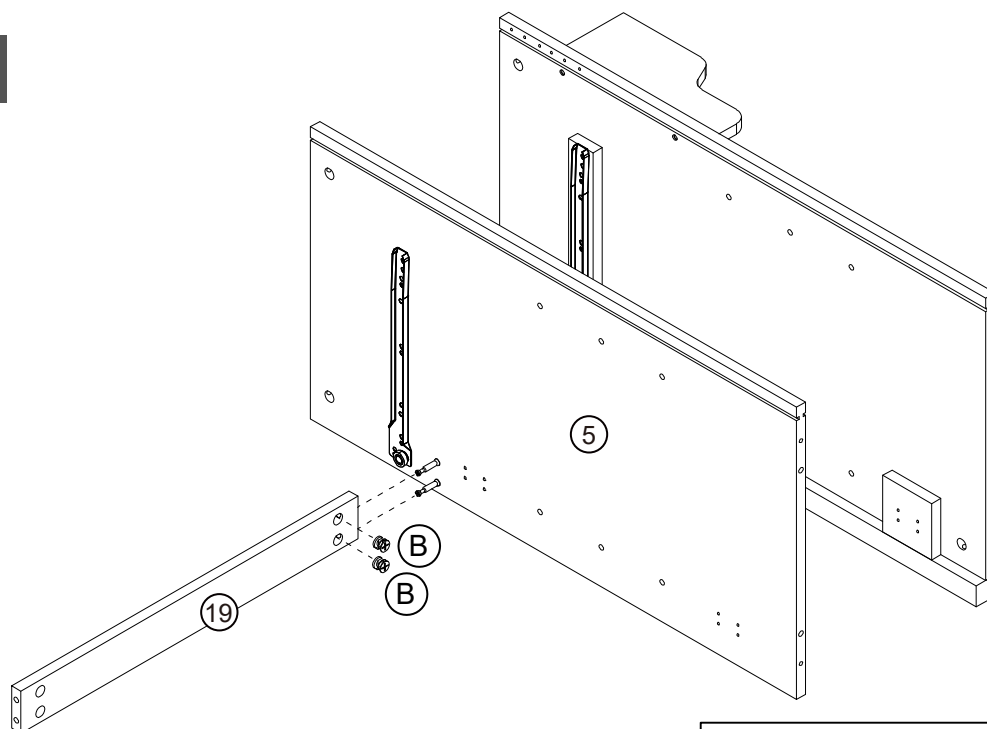
 <p><b>D</b> 4*35mm Screw x 4</p>	 <p><b>C</b> 6*30mm Dowel x 2</p>
--	--

# Assembly Instructions

## Step 11

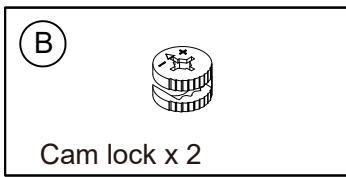
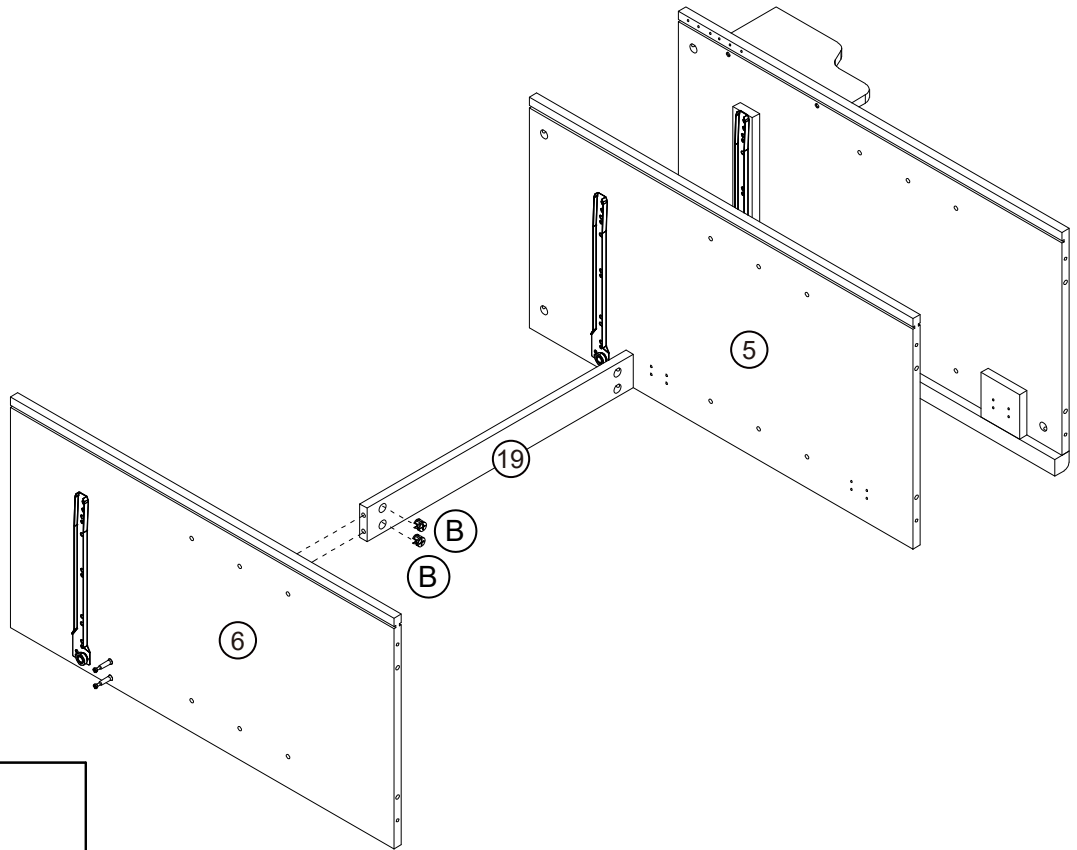


## Step 12

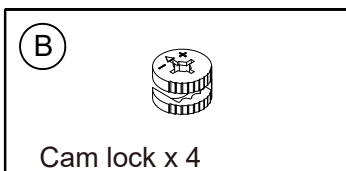
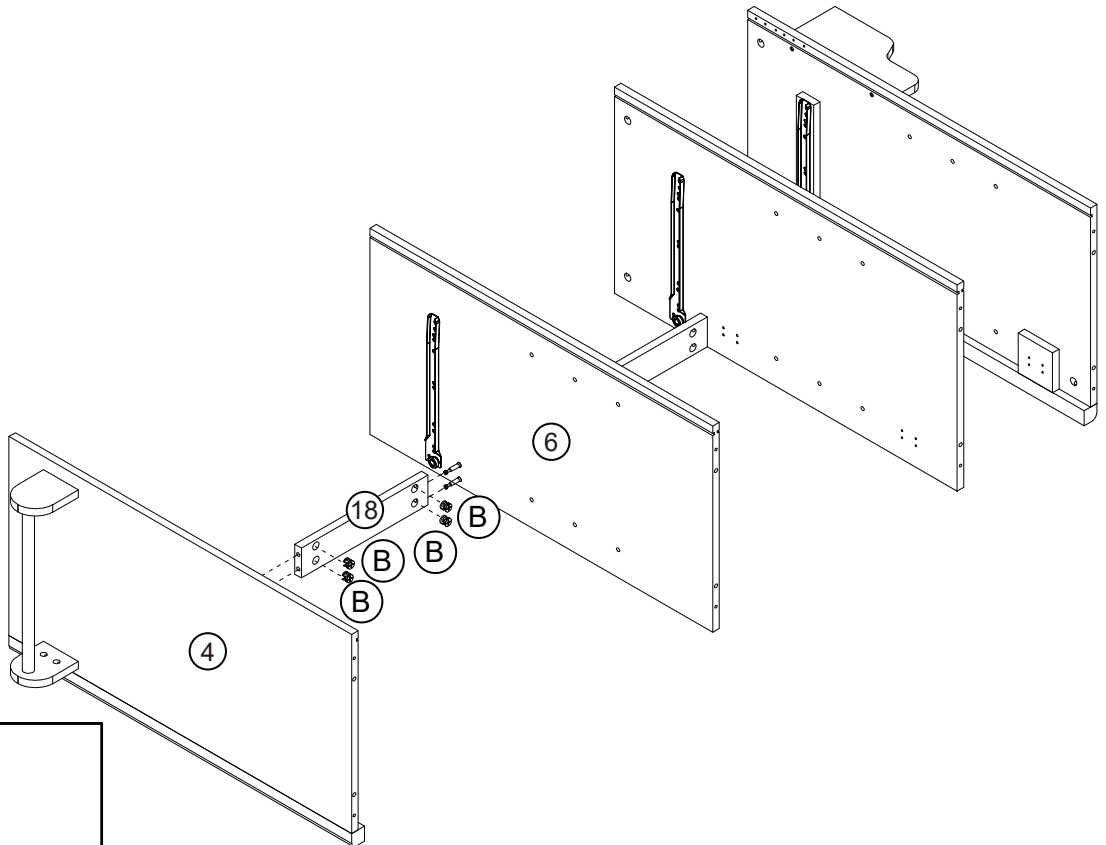


# Assembly Instructions

## Step 13

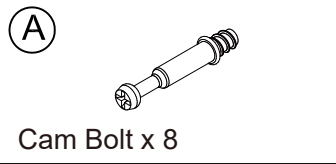
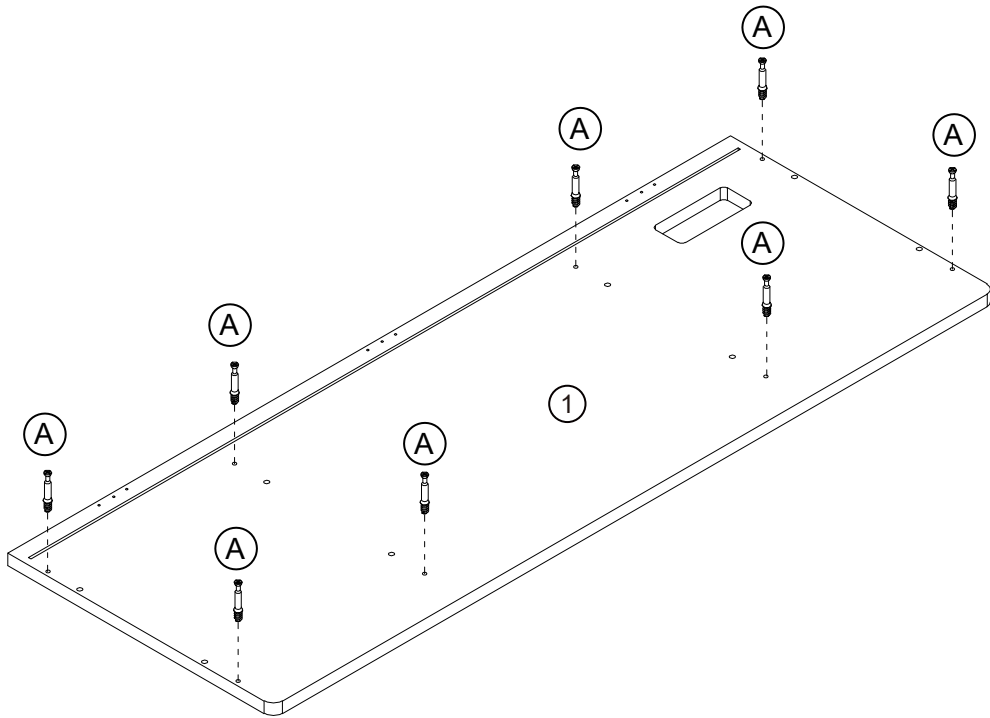


## Step 14

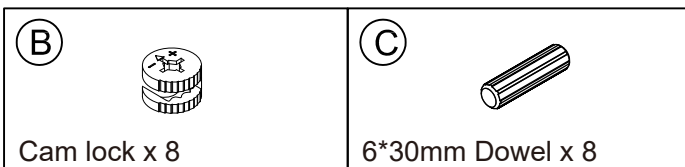
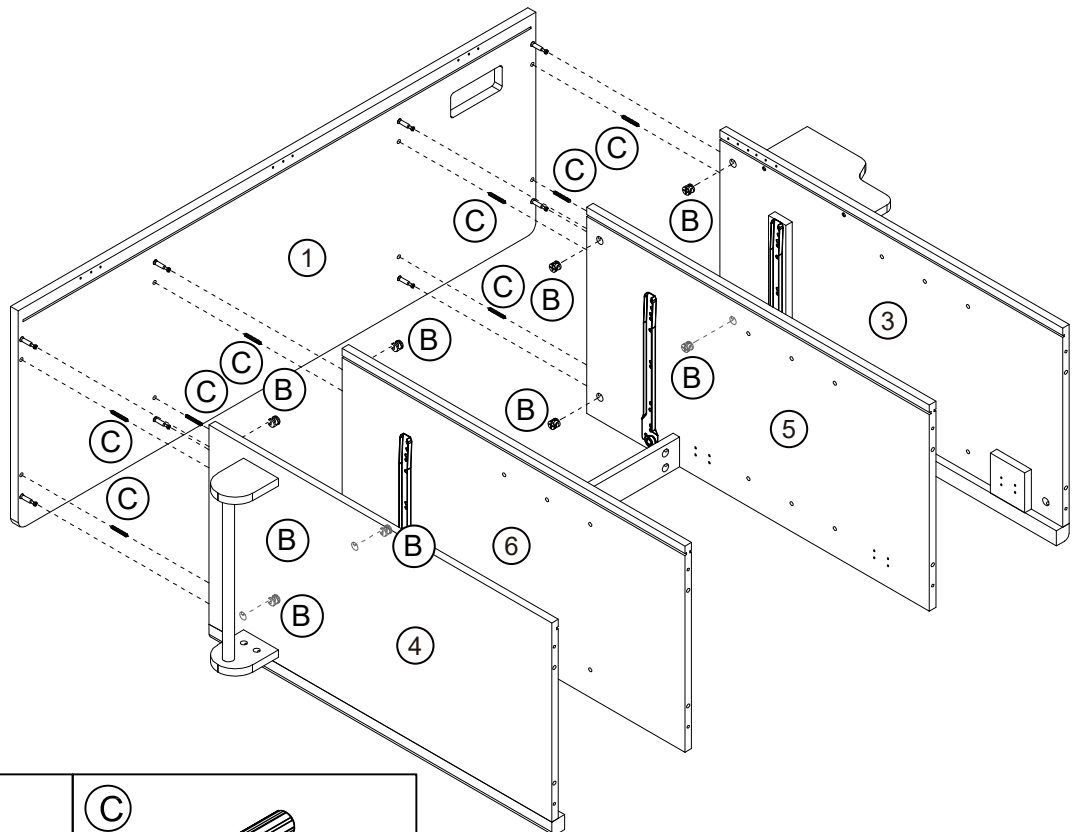


# Assembly Instructions

## Step 15

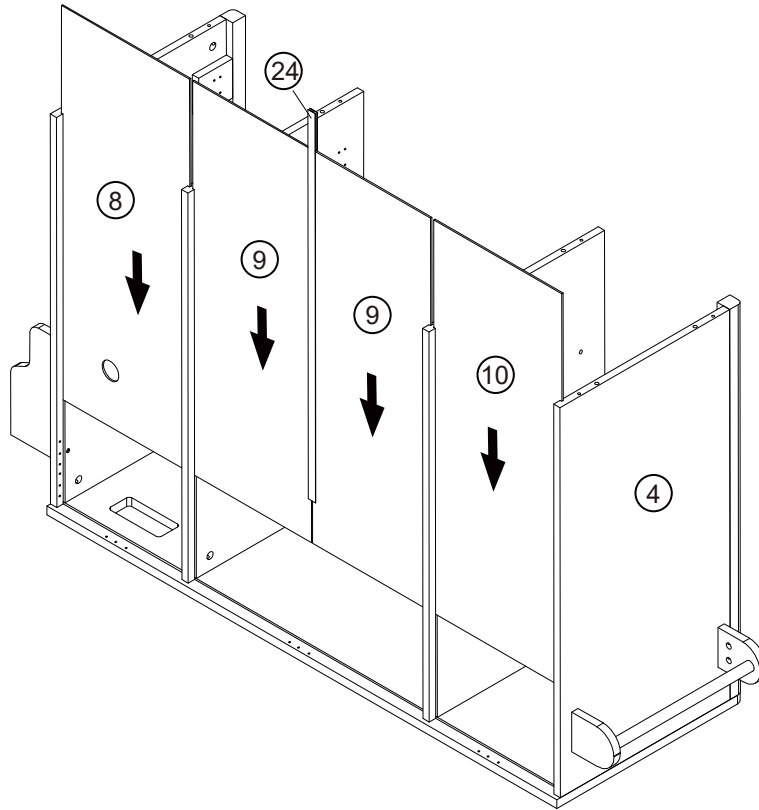


## Step 16

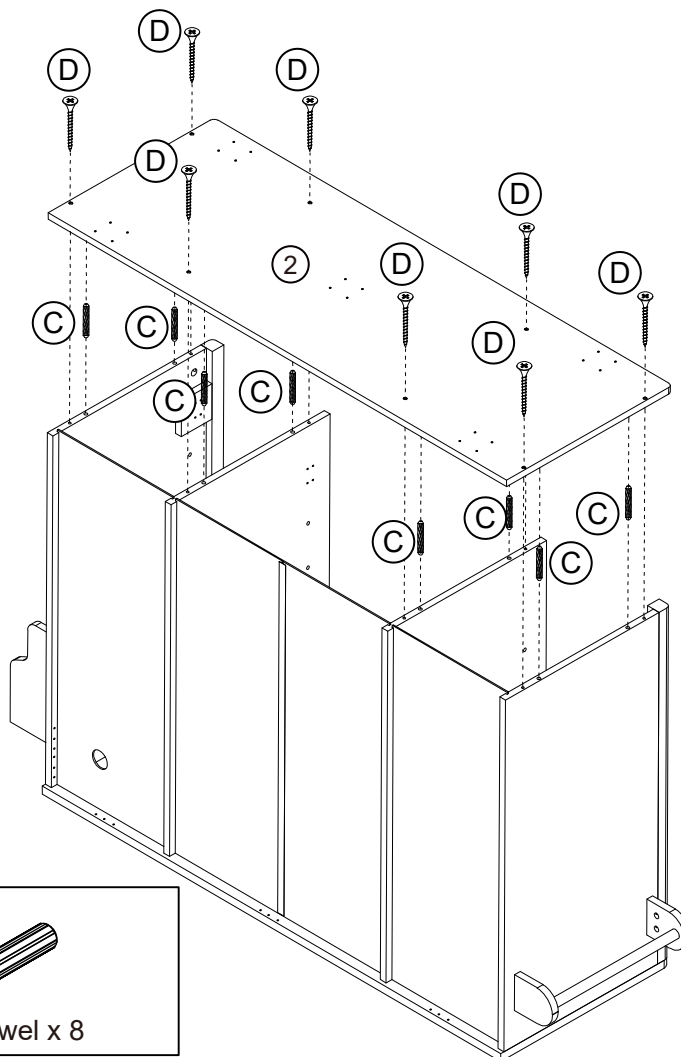



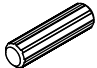
# Assembly Instructions

## Step 17



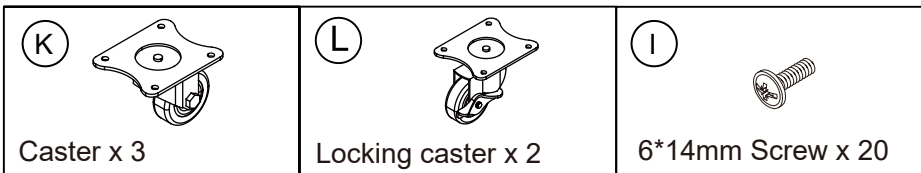
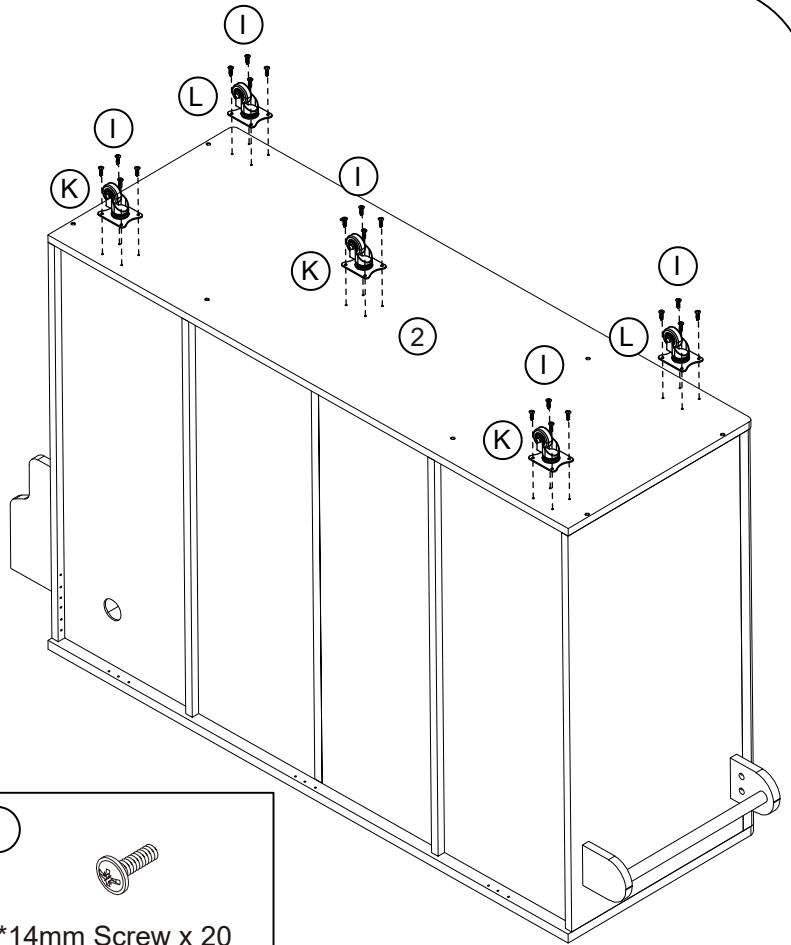
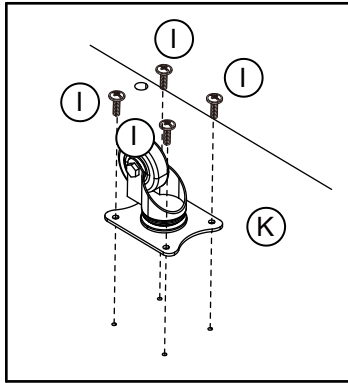
## Step 18



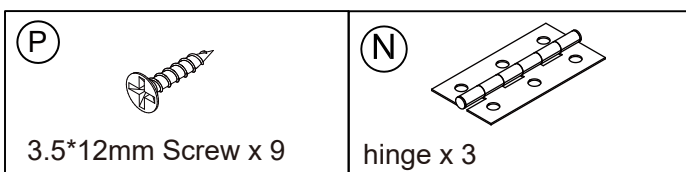
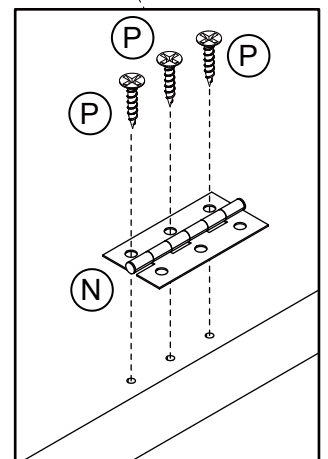
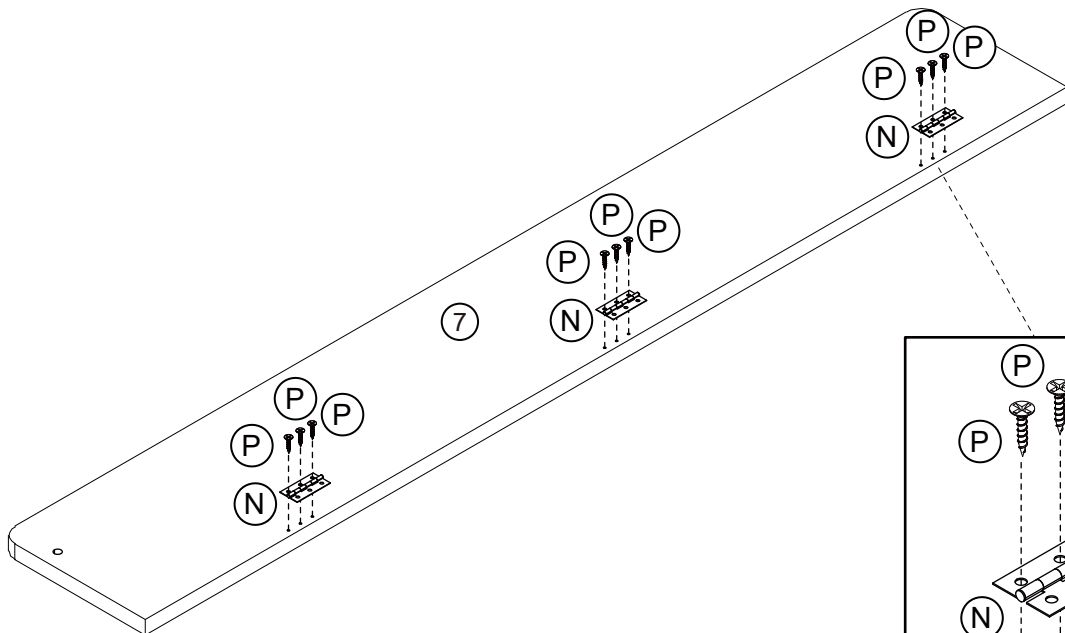
 <b>D</b>	 <b>C</b>
4*35mm Screw x 8	6*30mm Dowel x 8

# Assembly Instructions

## Step 19

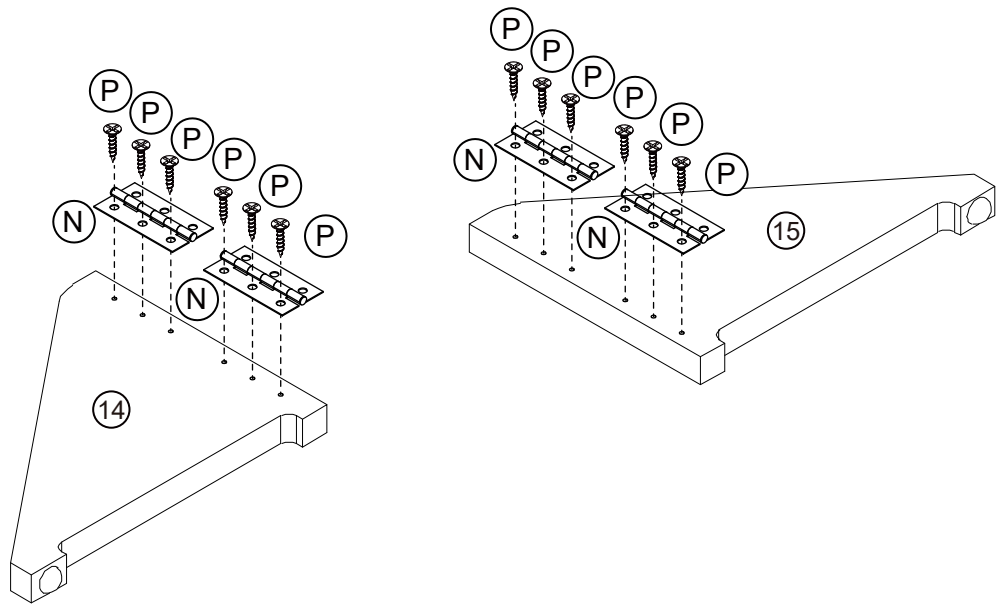


## Step 20



# Assembly Instructions

## Step 21

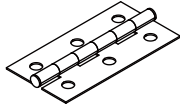


(P)



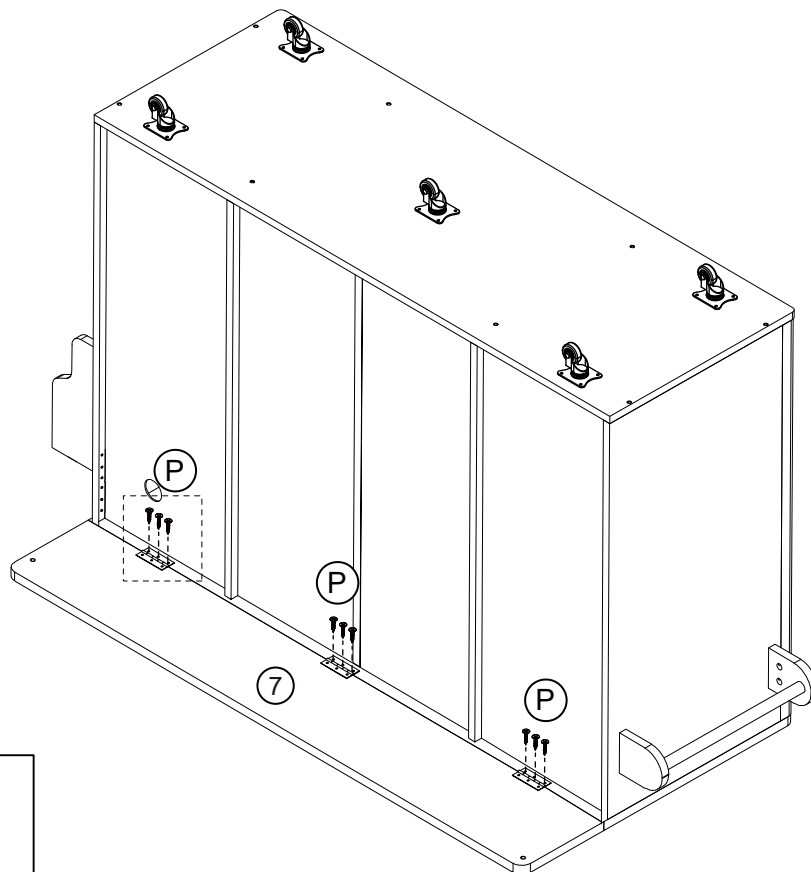
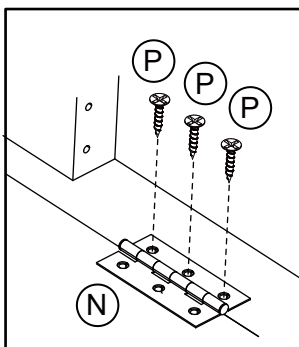
3.5\*12mm Screw x 12

(N)



hinge x 4

## Step 22



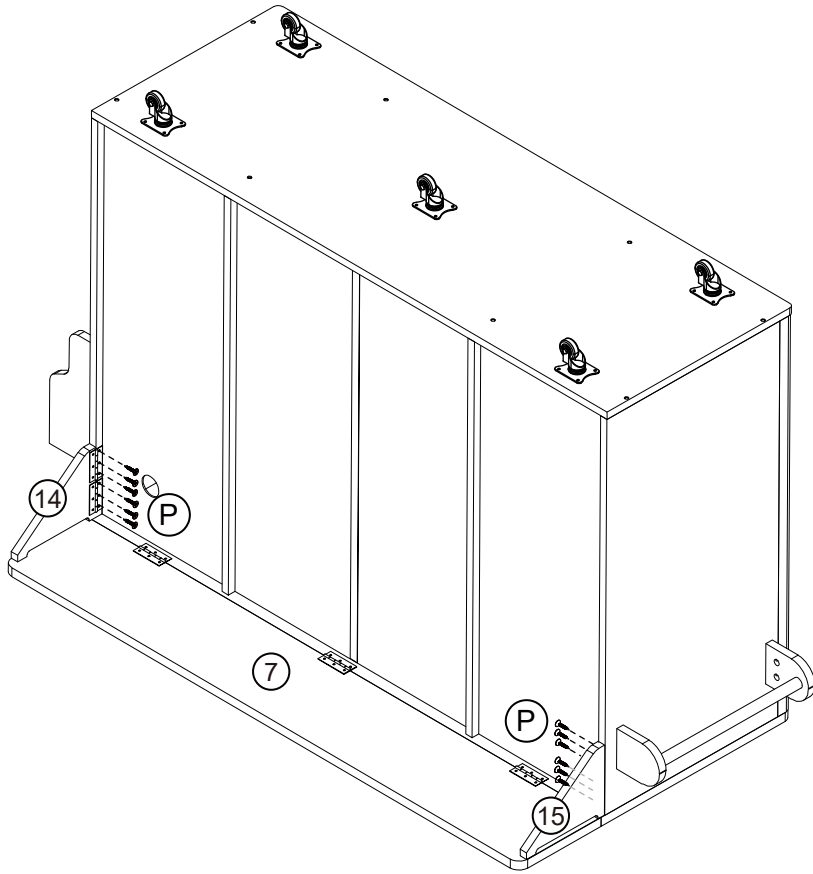
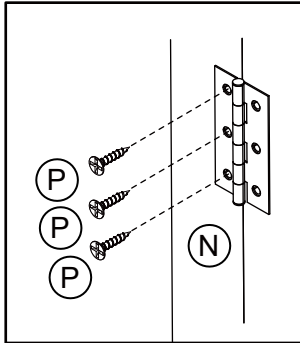
(P)



3.5\*12mm Screw x 9

# Assembly Instructions

## Step 23

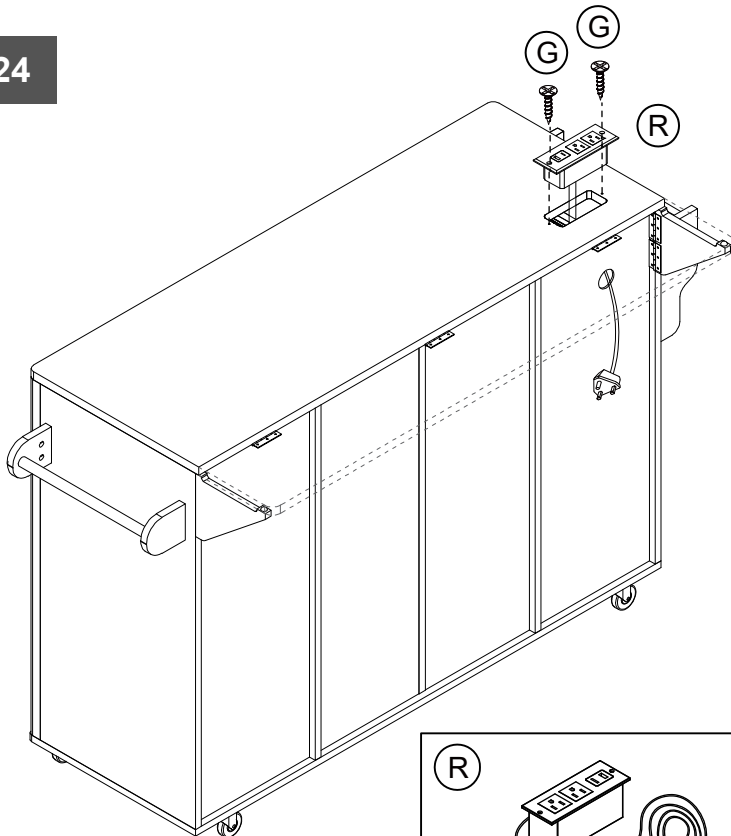


(P)

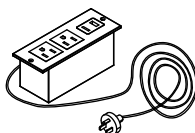


3.5\*12mm Screw x 12

## Step 24



(R)



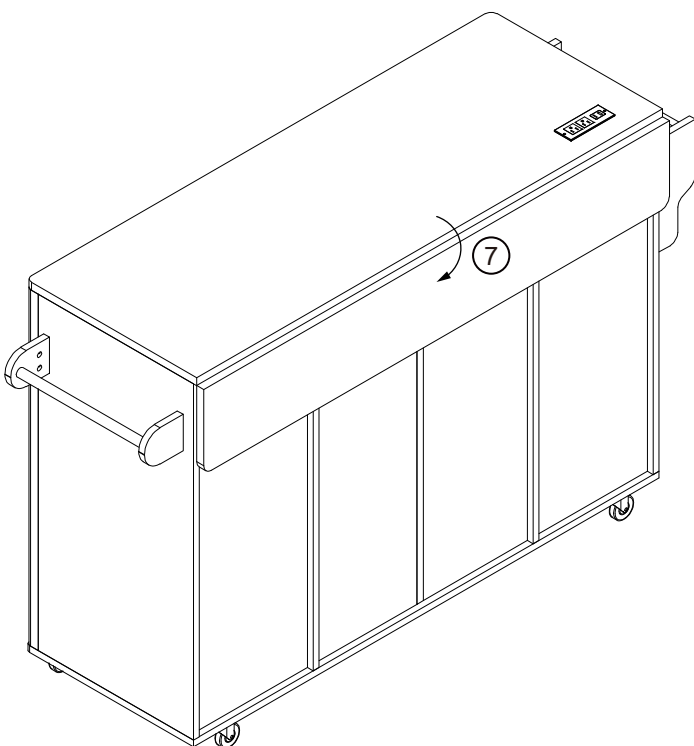
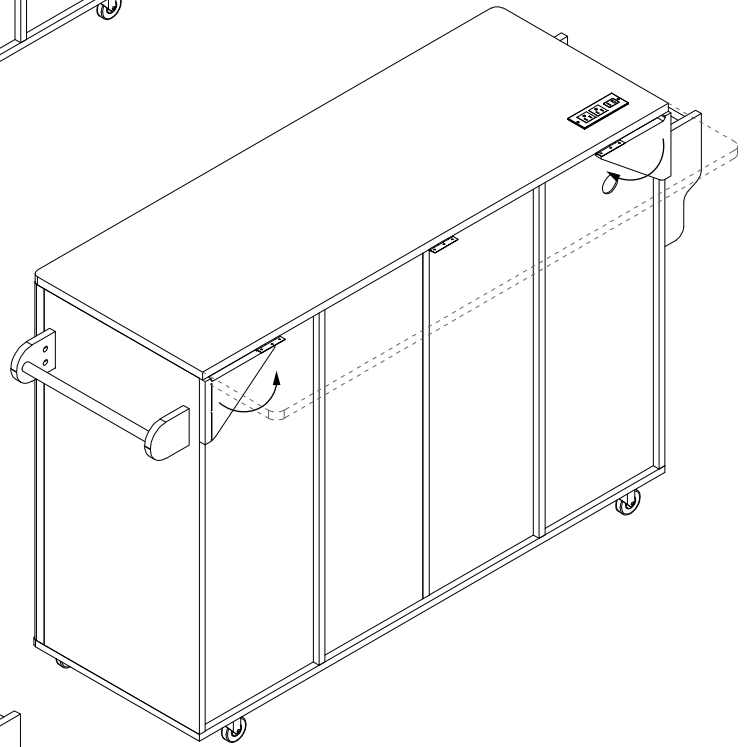
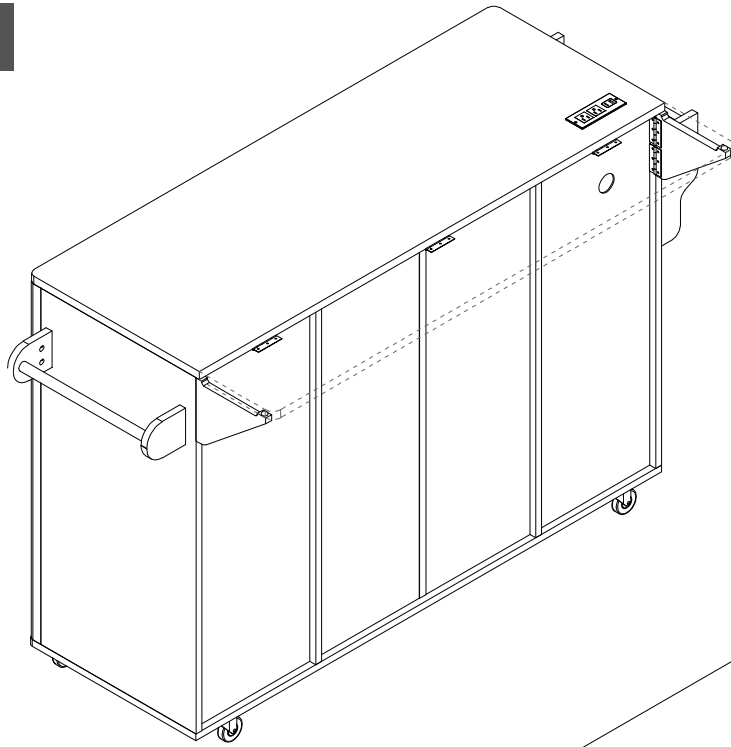
(G)



3\*12mm Screw x 2

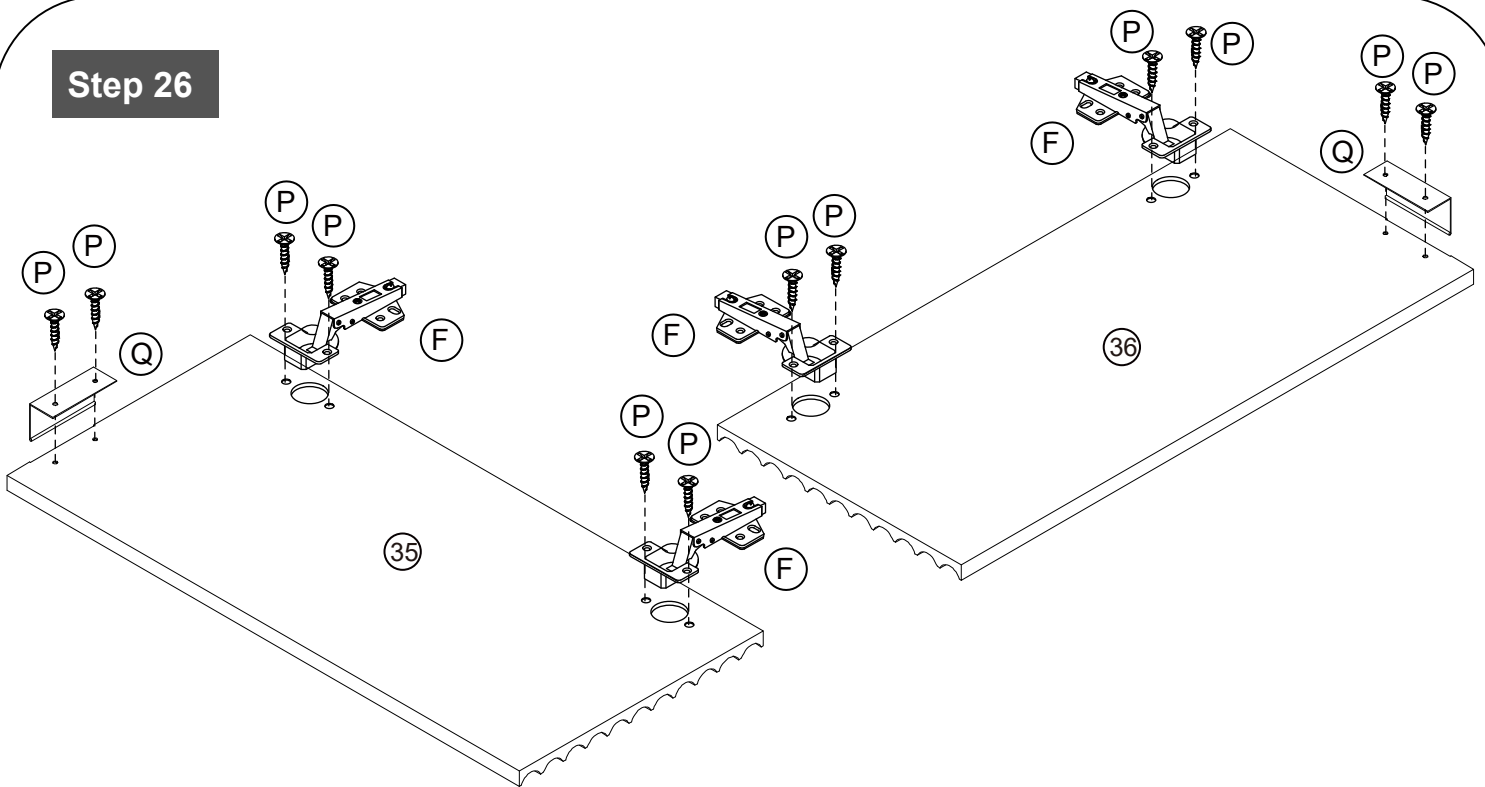
# Assembly Instructions

## Step 25



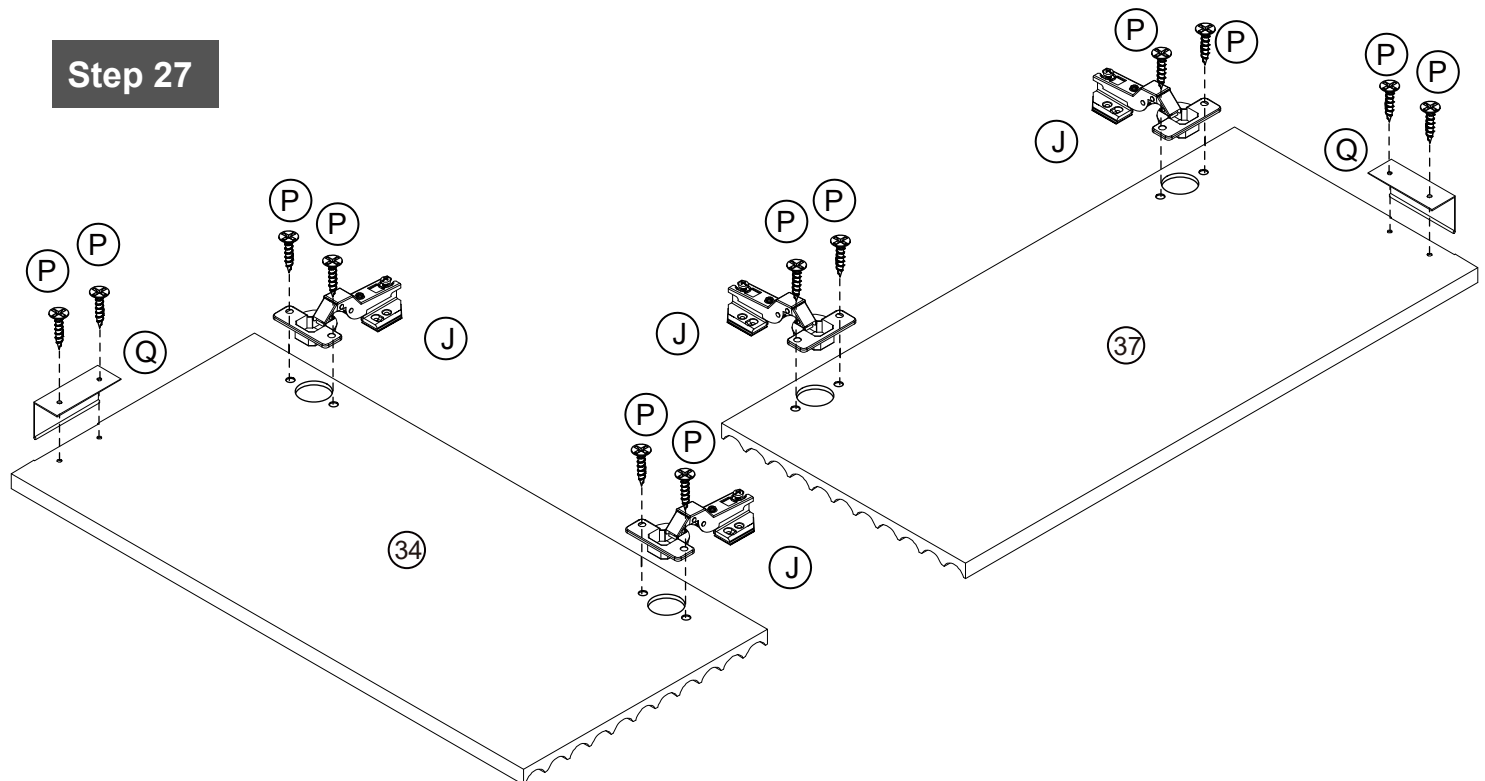
# Assembly Instructions

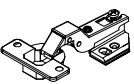
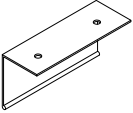
## Step 26



 <p>(F) Hinge x 4</p>	 <p>(P) 3.5*12mm Screw x 12</p>	 <p>(Q) Hold hands x 2</p>
--	--	--

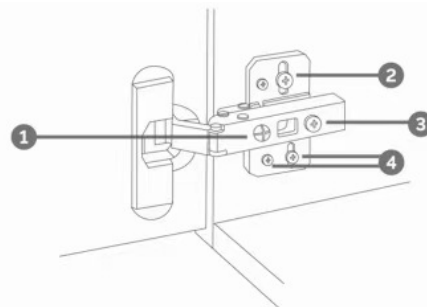
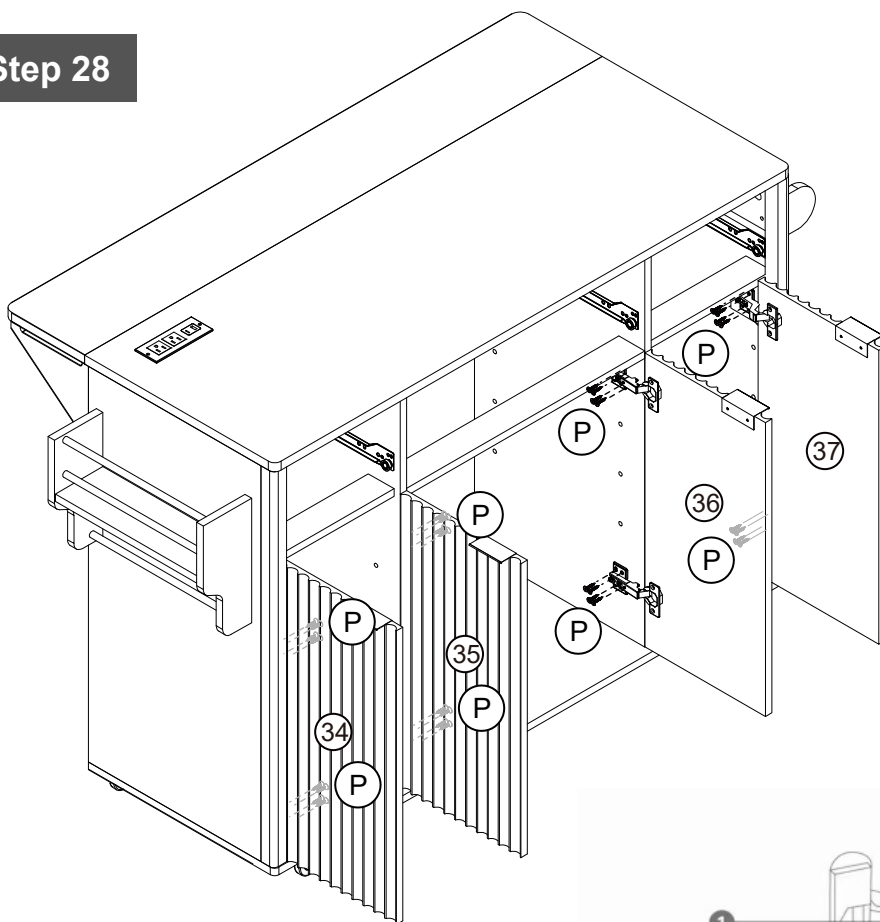
## Step 27



 <p>(J) Hinge x 4</p>	 <p>(P) 3.5*12mm Screw x 12</p>	 <p>(Q) Hold hands x 2</p>
--	--	--

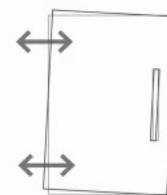
# Assembly Instructions

## Step 28



### 1 Sideways / Tilt adjustment

Turn the screw **clockwise** to move the door further away from the side of the cabinet  
**anticlockwise** to move the door closer to the side of the cabinet



### 2 4 Height adjustment

While supporting the weight of the door, turn the screws **clockwise** to move the door up  
**anticlockwise** to move the door down



### 3 Forward and back adjustment

If the gap between the back of the door and the cabinet is too small, and the door may not close fully. Turn the screw **clockwise** to decrease the gap between the door and the cabinet  
**anticlockwise** to increase the gap between the door and the cabinet



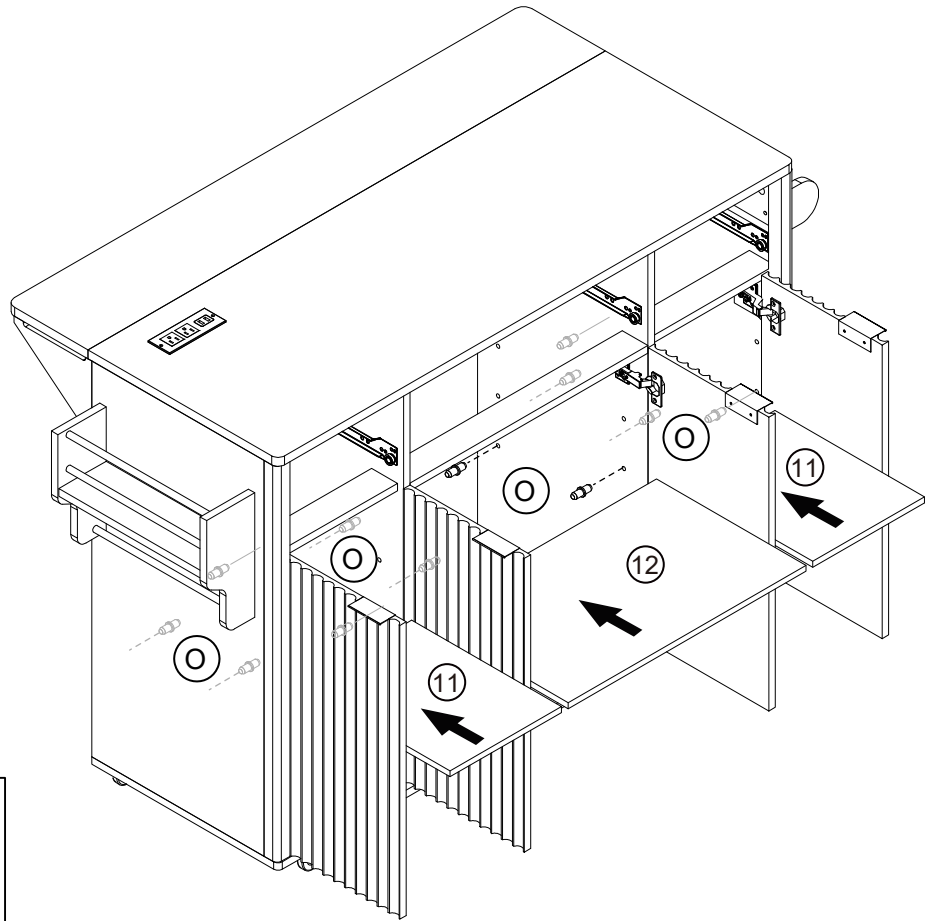
P



3.5\*12mm Screw x 32

# Assembly Instructions

## Step 29

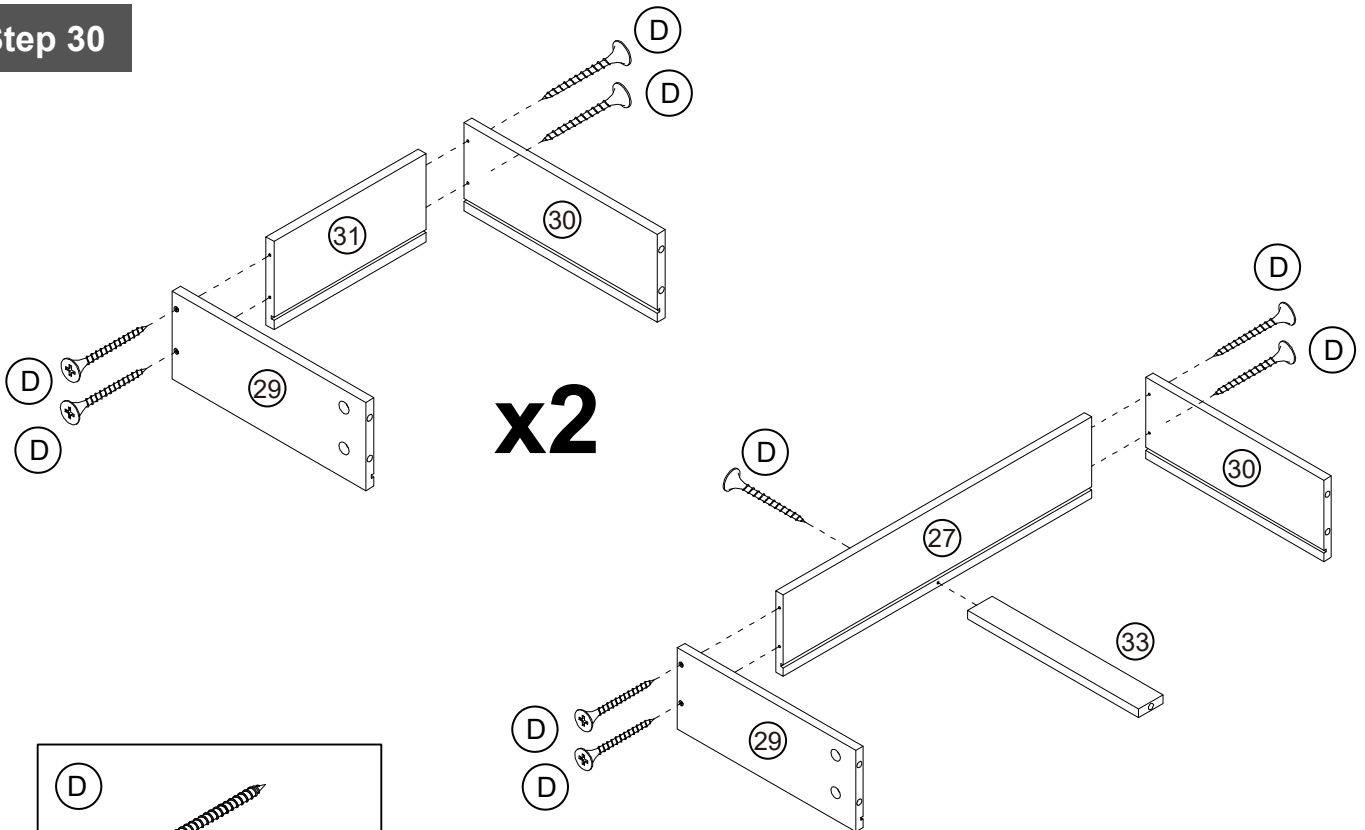


A



Shelf bracket x 12

## Step 30



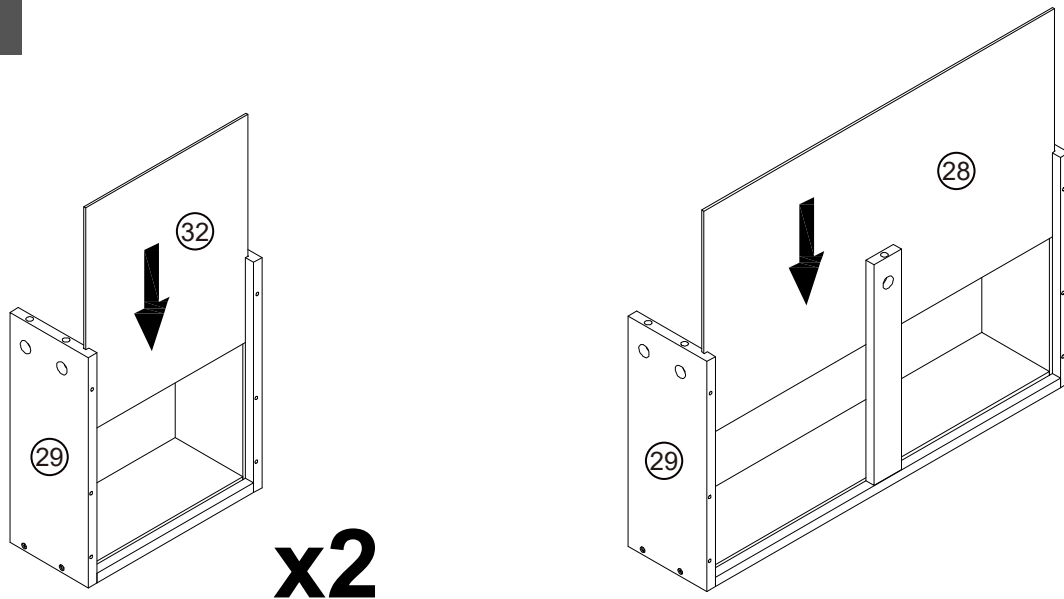
D



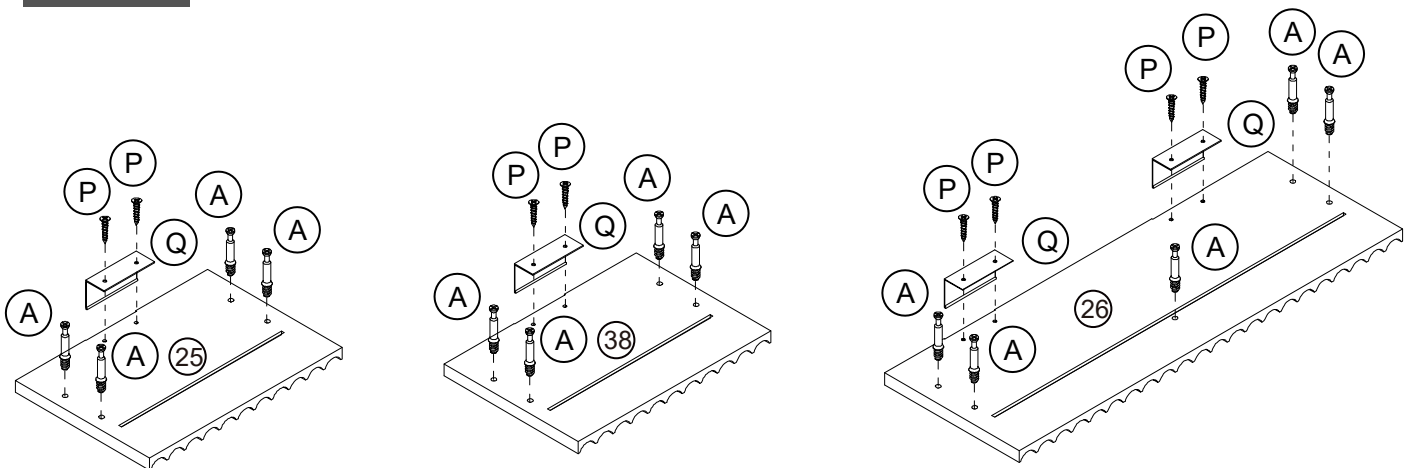
4\*35mm Screw x 13

# Assembly Instructions

## Step 31



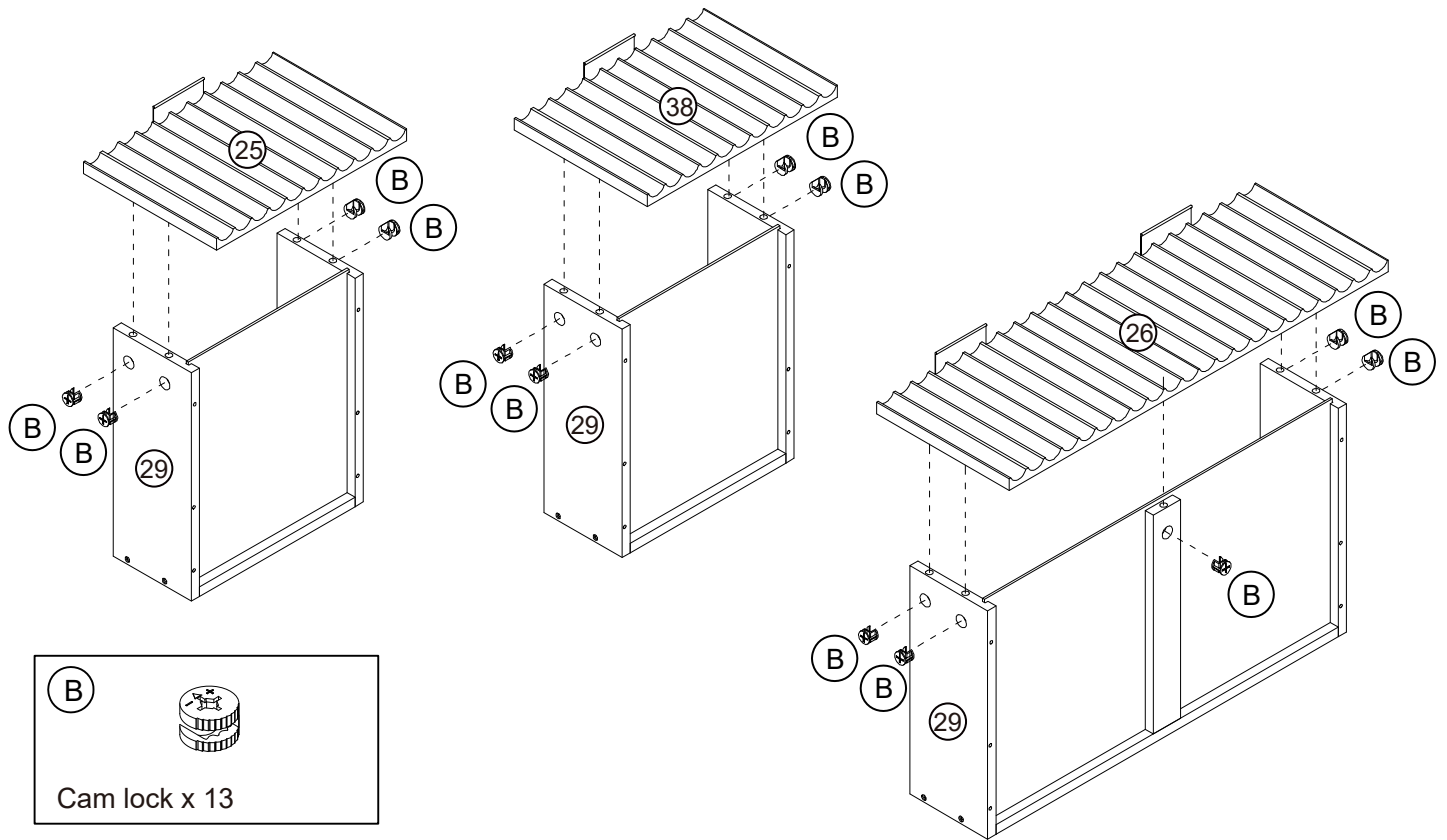
## Step 32



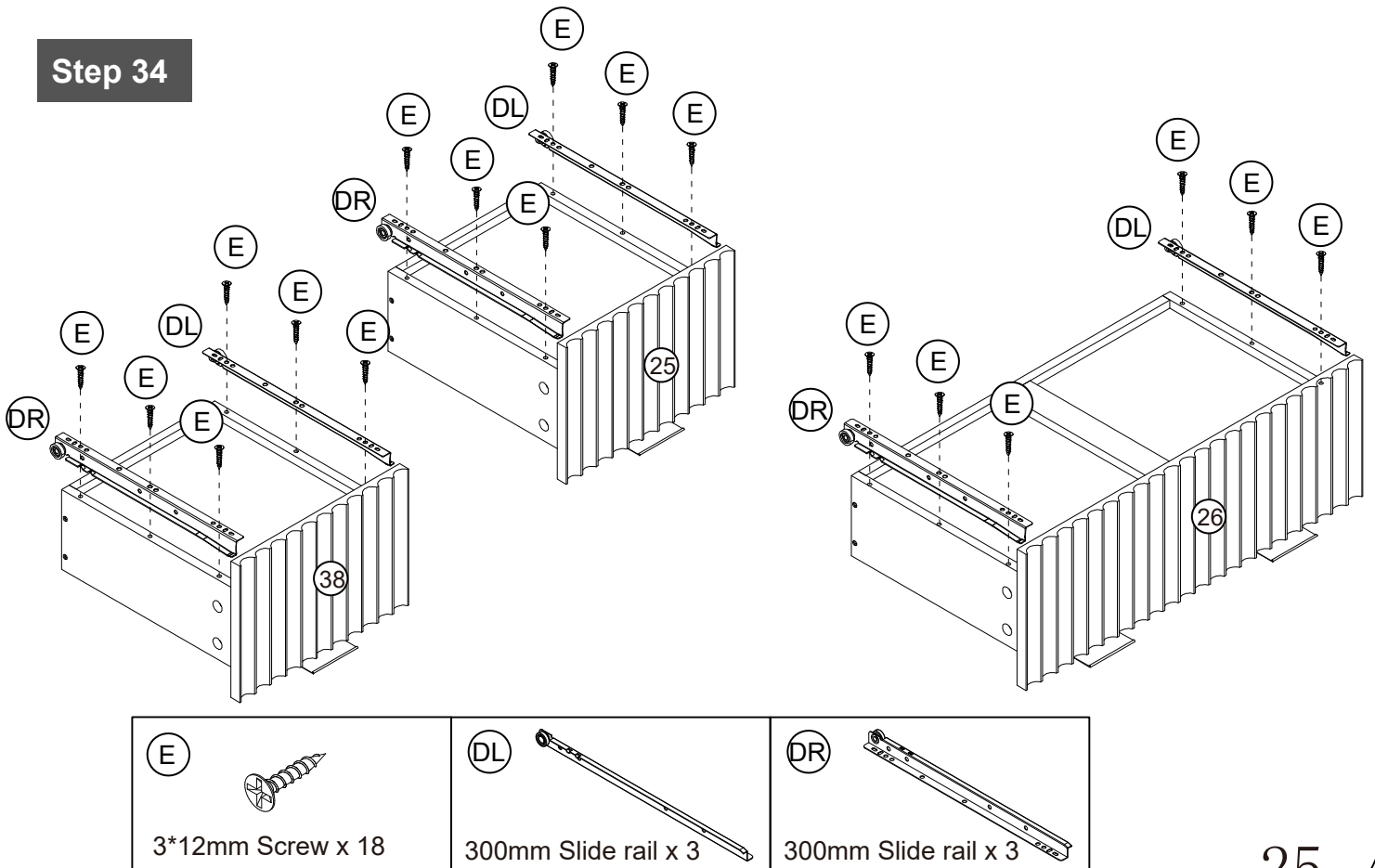
 Cam Bolt x 13	 3*12mm Screw x 8	 Hold hands x 4
-------------------	----------------------	--------------------

# Assembly Instructions

## Step 33

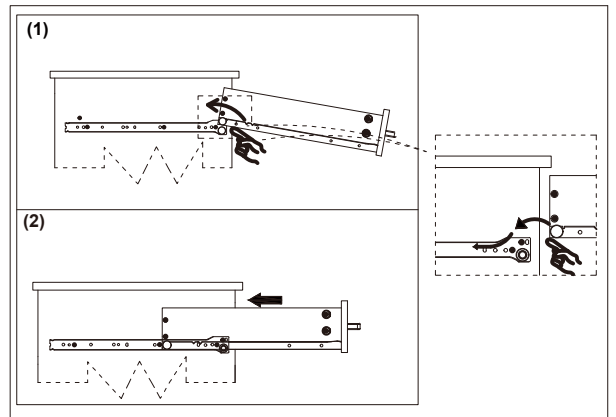
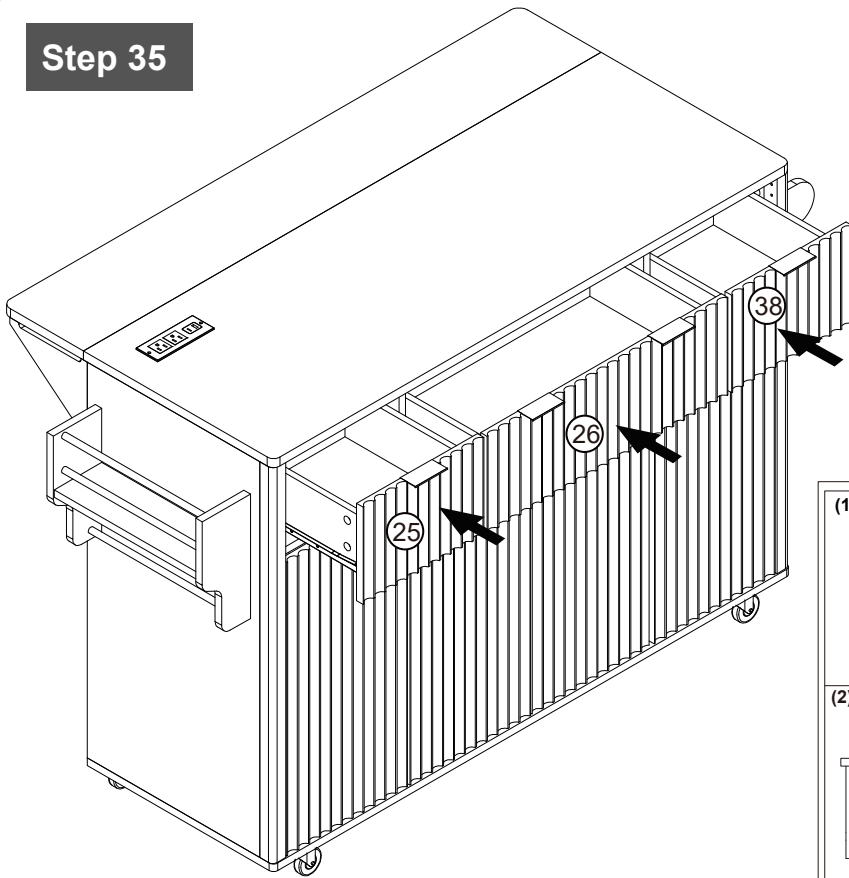


## Step 34



# Assembly Instructions

## Step 35



## Step 36

