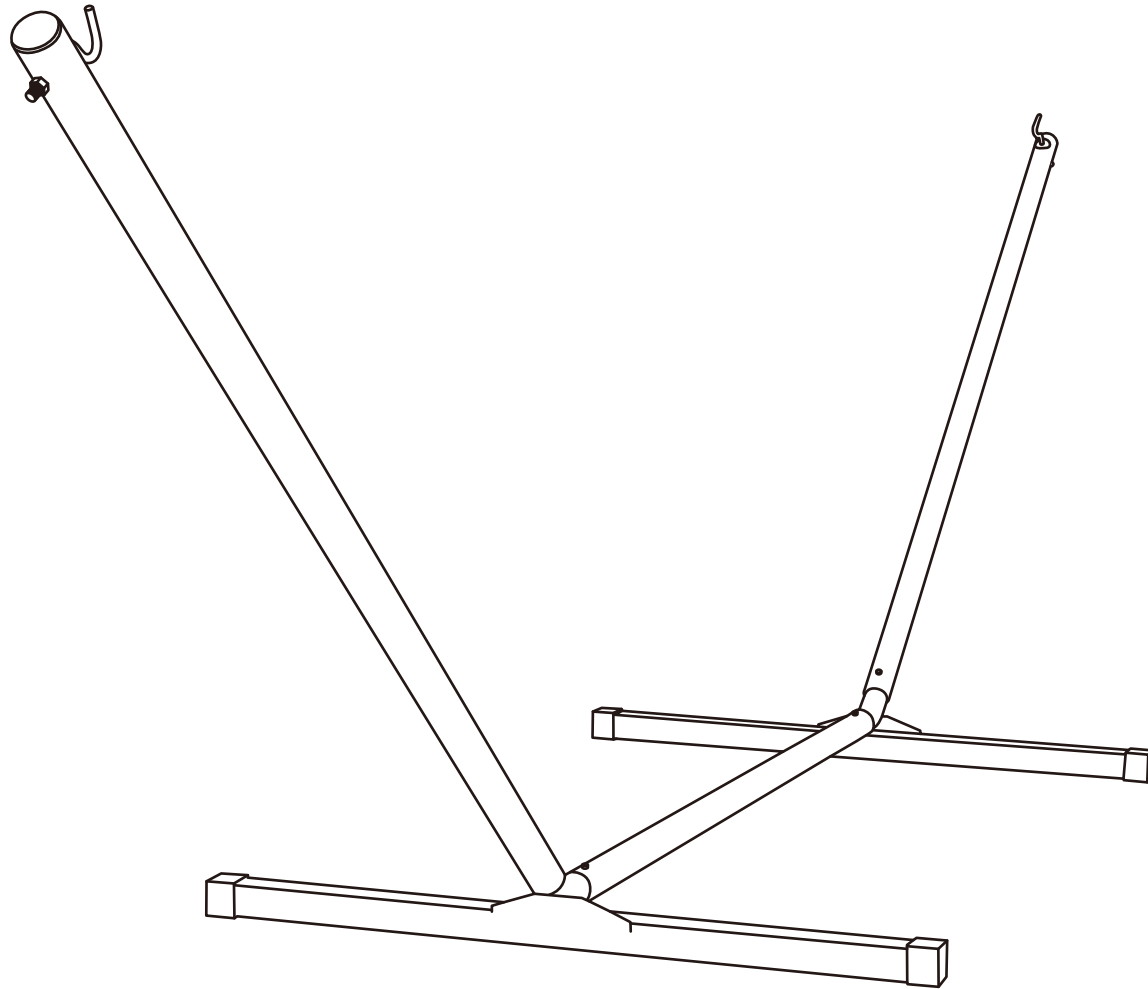
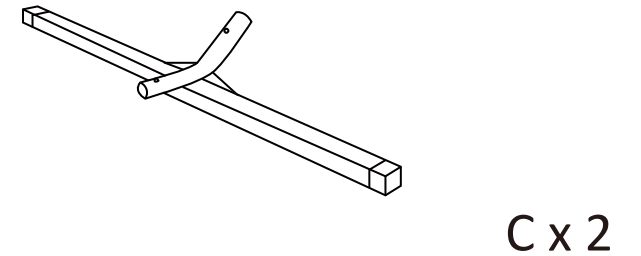
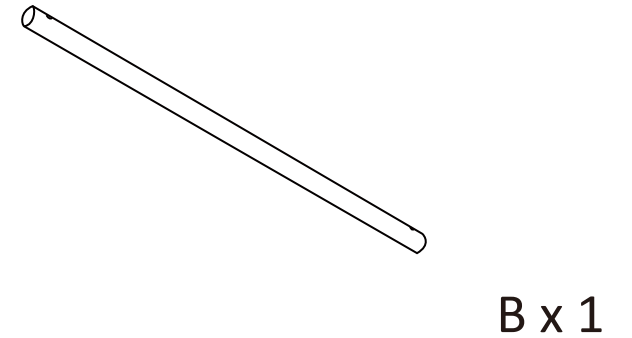
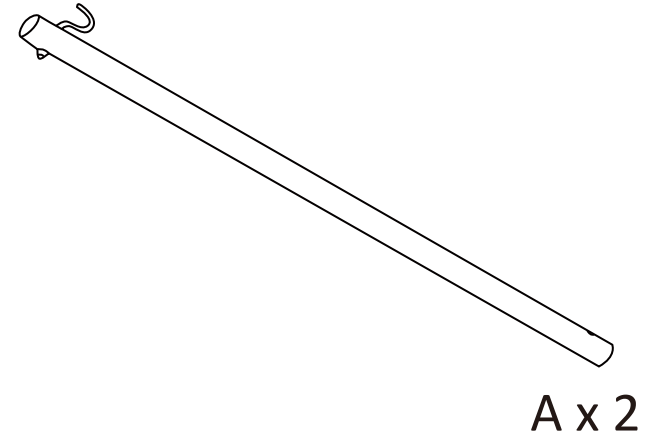


# Owner's Manual

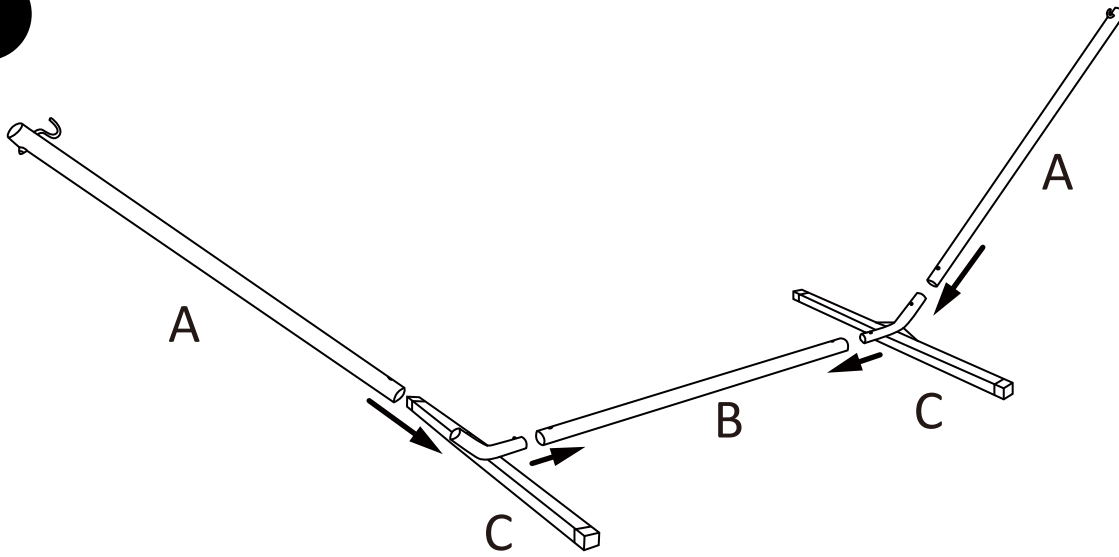


**NOTE:** The instruction booklet contains **IMPORTANT** safety information  
Please read and keep for future reference.

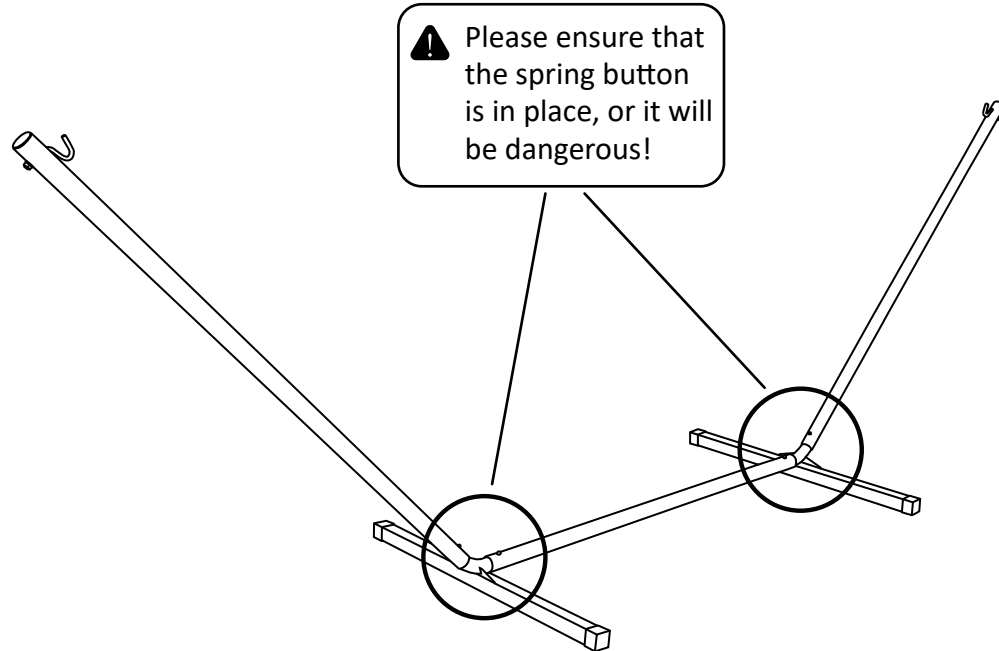
## PARTS LIST



1



2



## USAGE

- The maximum load capacity is 450 lbs.
- Please ensure that the hammock stand is used on a flat, level surface.

## CARE

- Store the hammock in a cool & dry place when not in use during winter months.
- Your hammock is made of high quality material, but for extending the usage life, please keep out of the rain and direct sunlight when the hammock is not in use.
- Remove any dirt and moisture before storing the stand.

## IMPORTANT SAFETY INSTRUCTIONS

Failure to follow the safety instructions below could result in serious injuries or property damage. Save these instructions for future reference.

## WARNING

- Never place infants or pets on the hammock.
- Never allow young children to use hammock without adult's supervision.
- Never attempt to adjust hammock height or drape it while in use.
- Always inspect your hanging kit, parts, and hammock before each use to ensure safety.