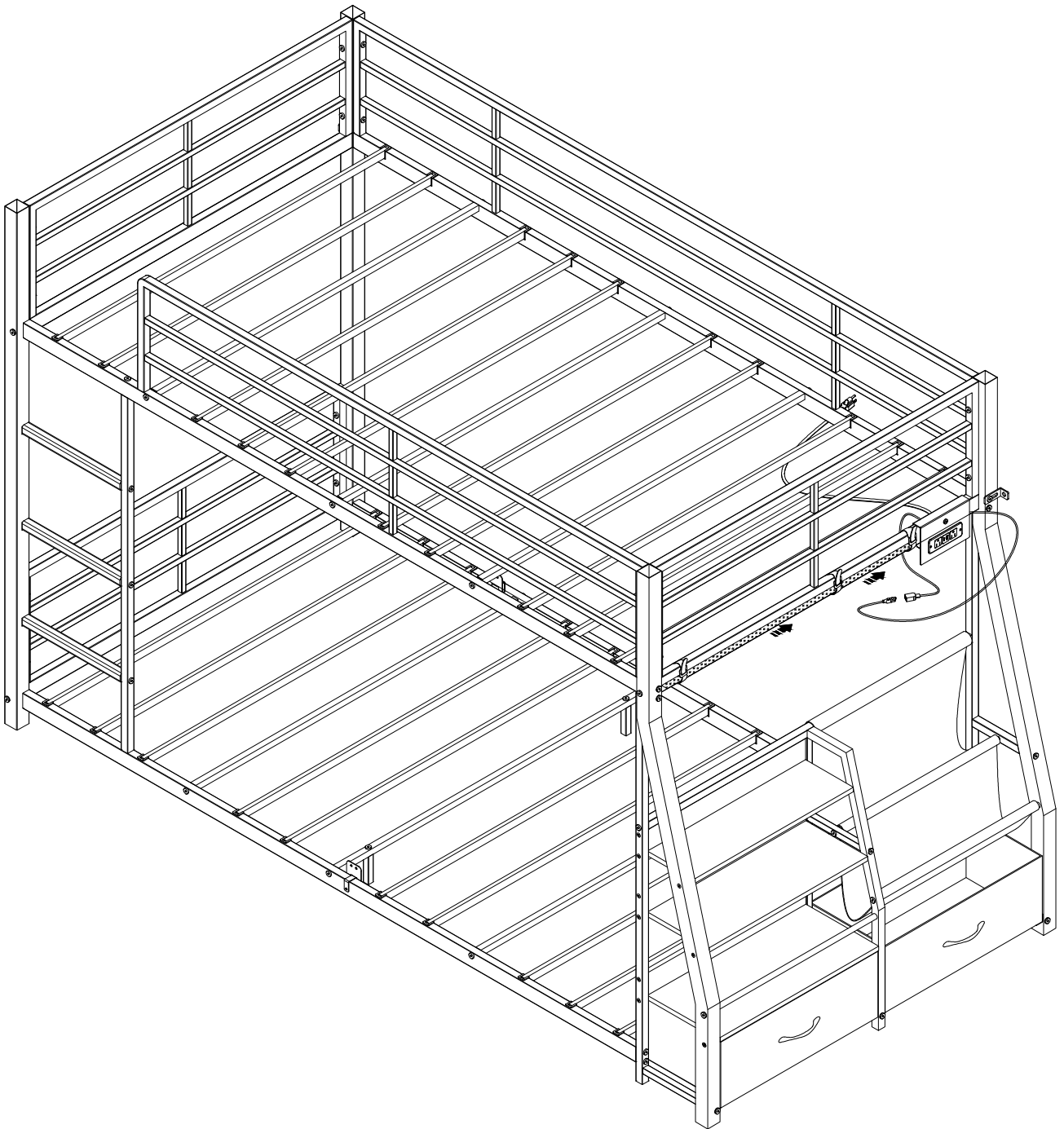
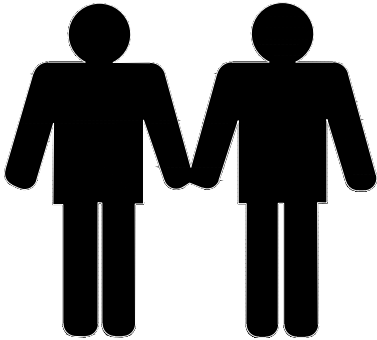


INSTALLATION & ASSEMBLY



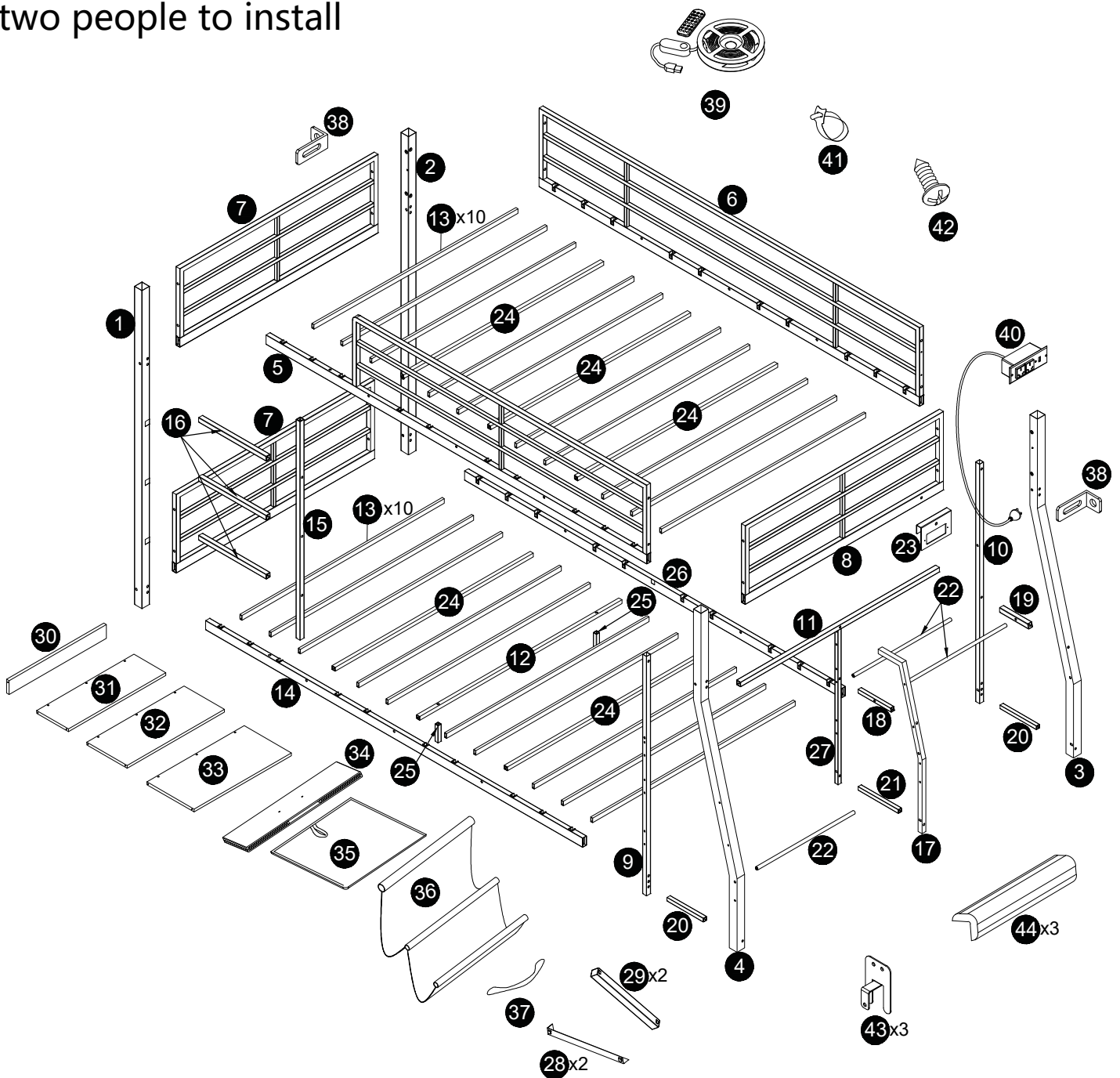
Note:

- 1, Should be assembled on flat ground to keep balance.
2. Before completing the installation, do not tighten the screws.



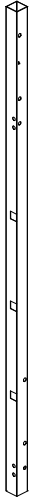
Before starting the assembly ,
you must read the whole manual
and follow the instructions .

It needs at least
two people to install

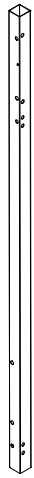


Install parts

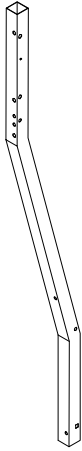
PARTS LIST



①
x1



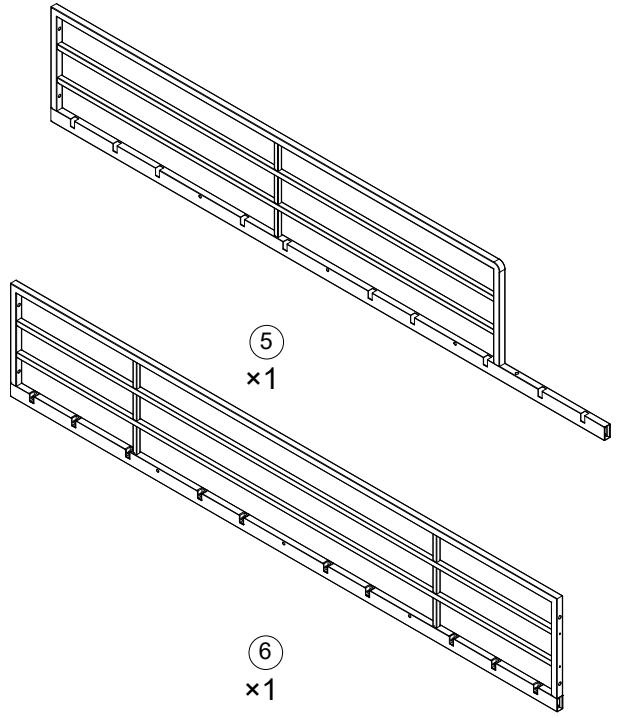
②
x1



③
x1

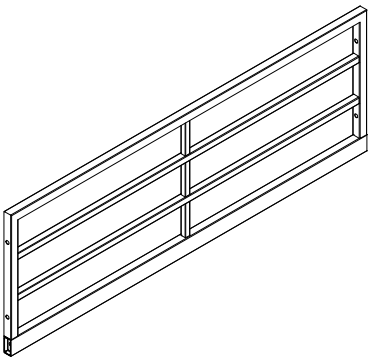


④
x1

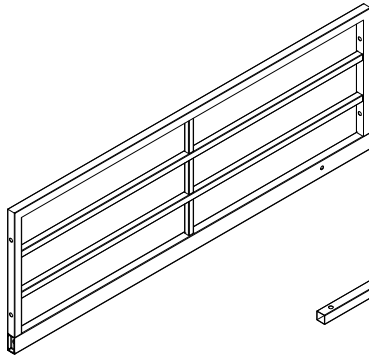


⑤
x1

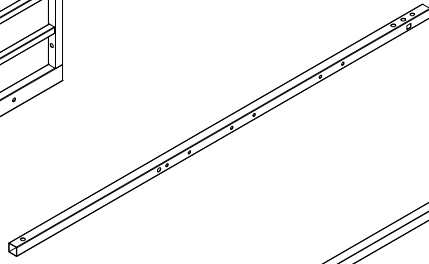
⑥
x1



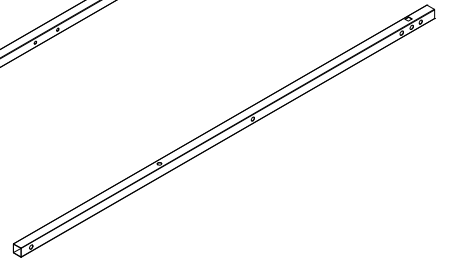
⑦
x2



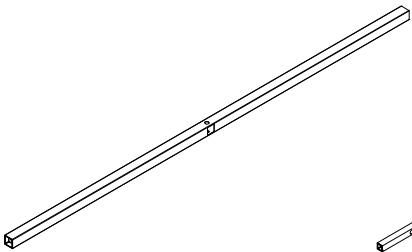
⑧
x1



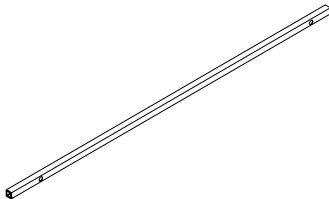
⑨
x1



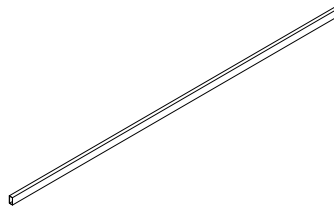
⑩
x1



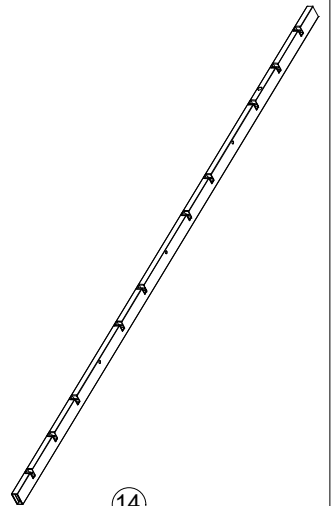
⑪
x1



⑫
x1



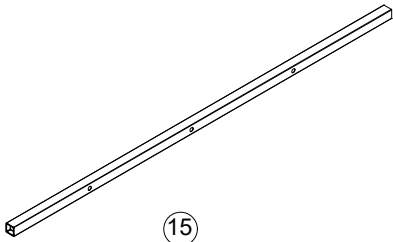
⑬
x20



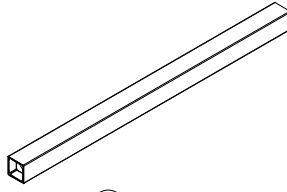
⑭
x1

Install parts

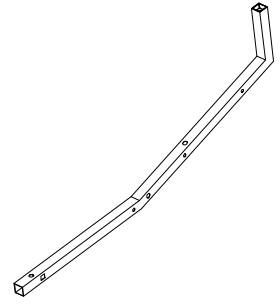
PARTS LIST



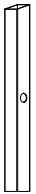
15
x1



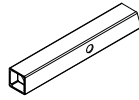
16
x3



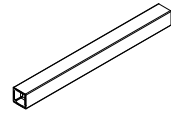
17
x1



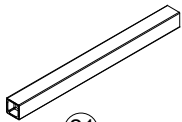
18
x1



19
x1



20
x2



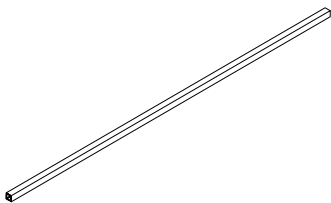
21
x1



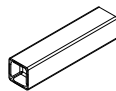
22
x3



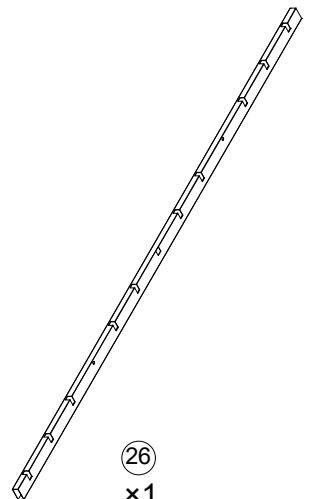
23
x1



24
x5



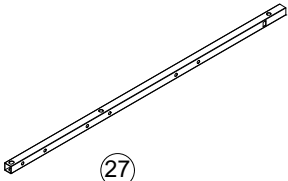
25
x2



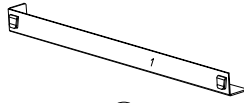
26
x1

Install parts

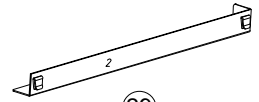
PARTS LIST



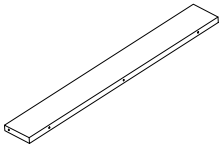
27
x1



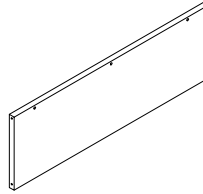
28
x2



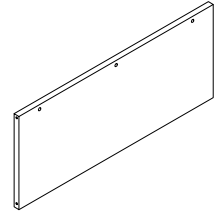
29
x2



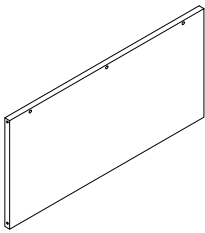
30
x3



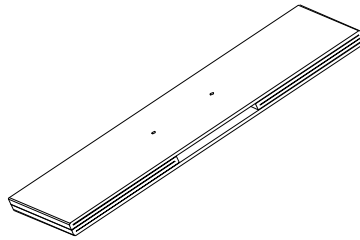
31
x1



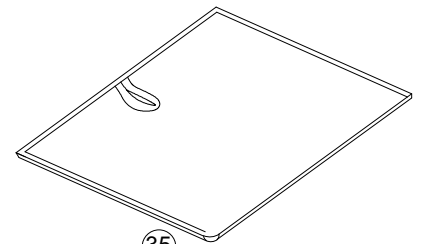
32
x1



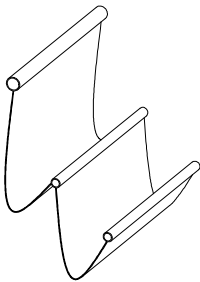
33
x1



34
x2



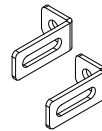
35
x2



36
x1



37
x2



38
x2



39
x1



40
x1



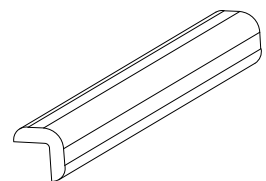
41
x3



42
x4



43
x3



44
x3

HARDWARE LIST



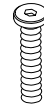
A
M3x10
x2



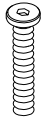
B
M6x15
x1+1



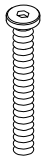
C
M6x20
x3+1



D
M6x35
x18+1



E
M6x40
x33+3



F
M6x60
x29+3



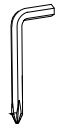
G
M5x50
x24+2



H
M6
x20



I
4#
x1



J
4#
x1



K
3#
x1



L
M6
x1



M
M6x75
x2



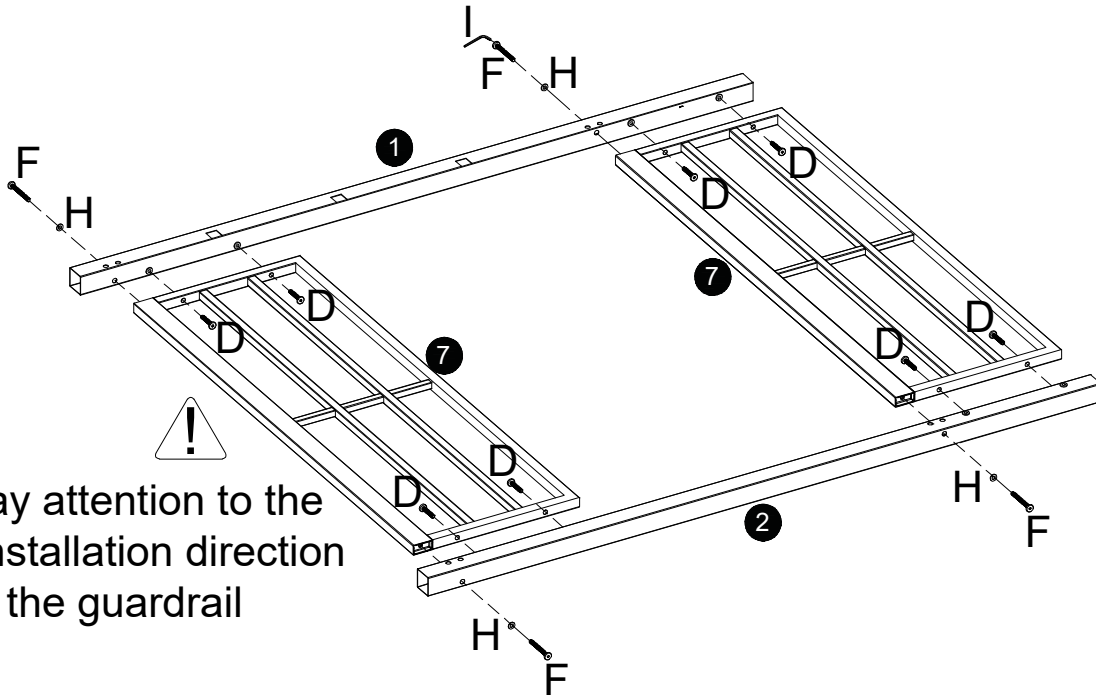
N
M6x15
x1+1



O
M5x60
x3+1

1

Please pay attention to the direction of the hole position.

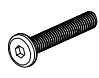


Pay attention to the installation direction of the guardrail


F M6*60
x4



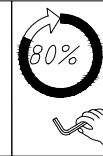
D M6*35
x8



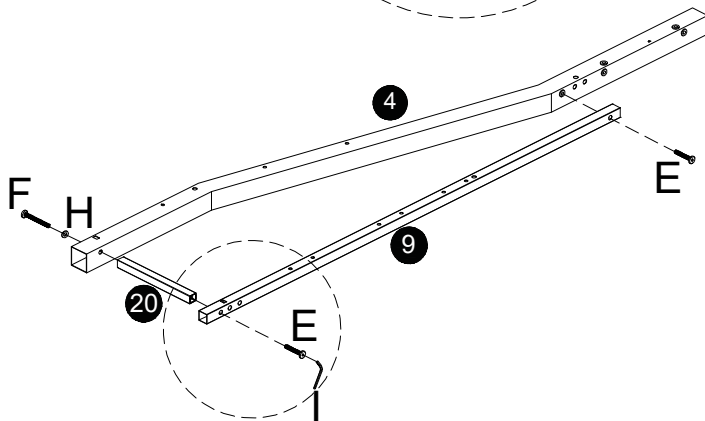
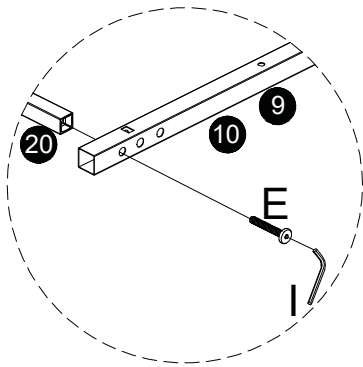
H M6 washer
x4



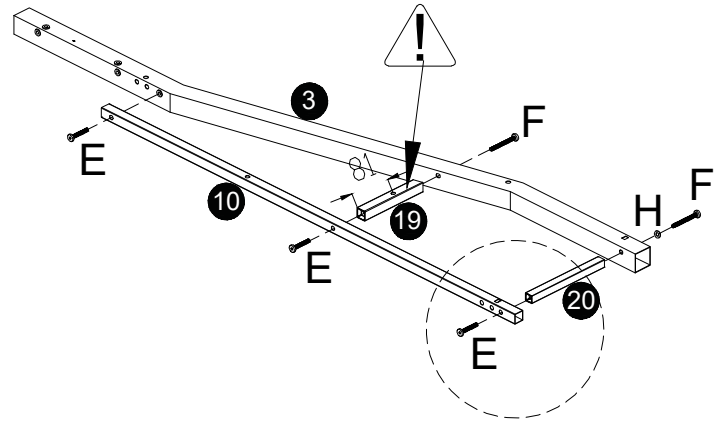
I #4
x1

2



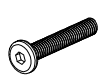
attention direction




F M6*60
x3



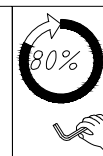
E M6*40
x5



H M6 washer
x2

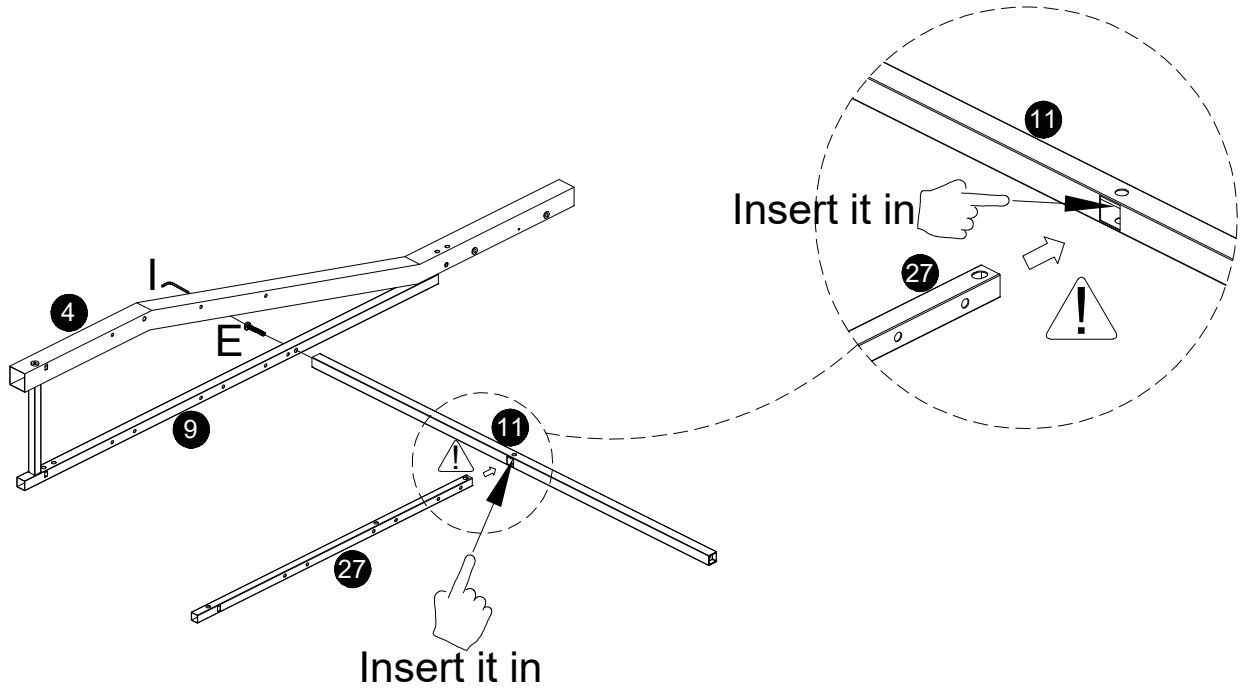


I #4
x1

3

Please pay attention to the direction of the hole position.



E M6*40

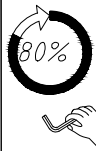


x1

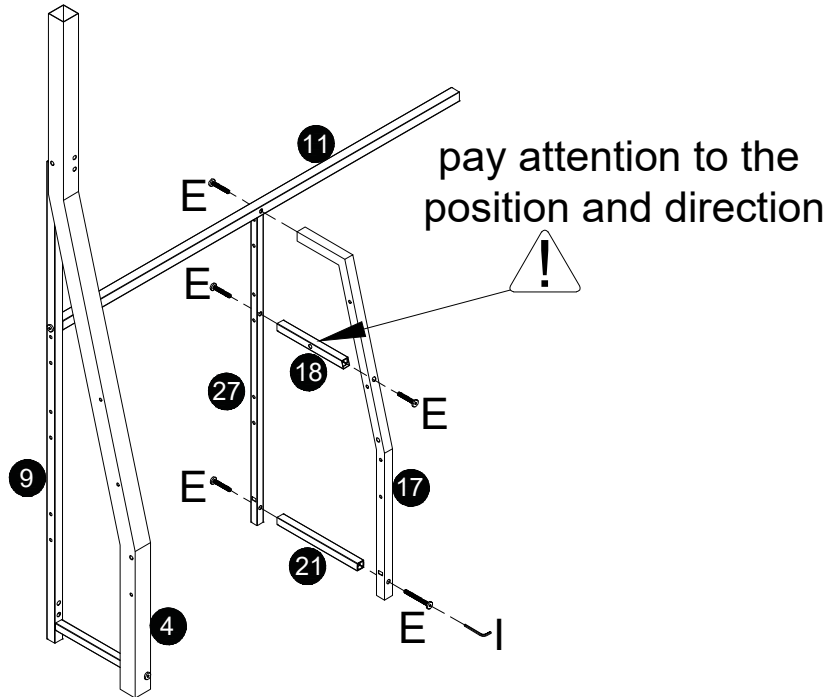
I #4



x1



4



E M6*40

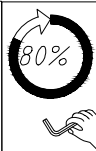


x5

I #4

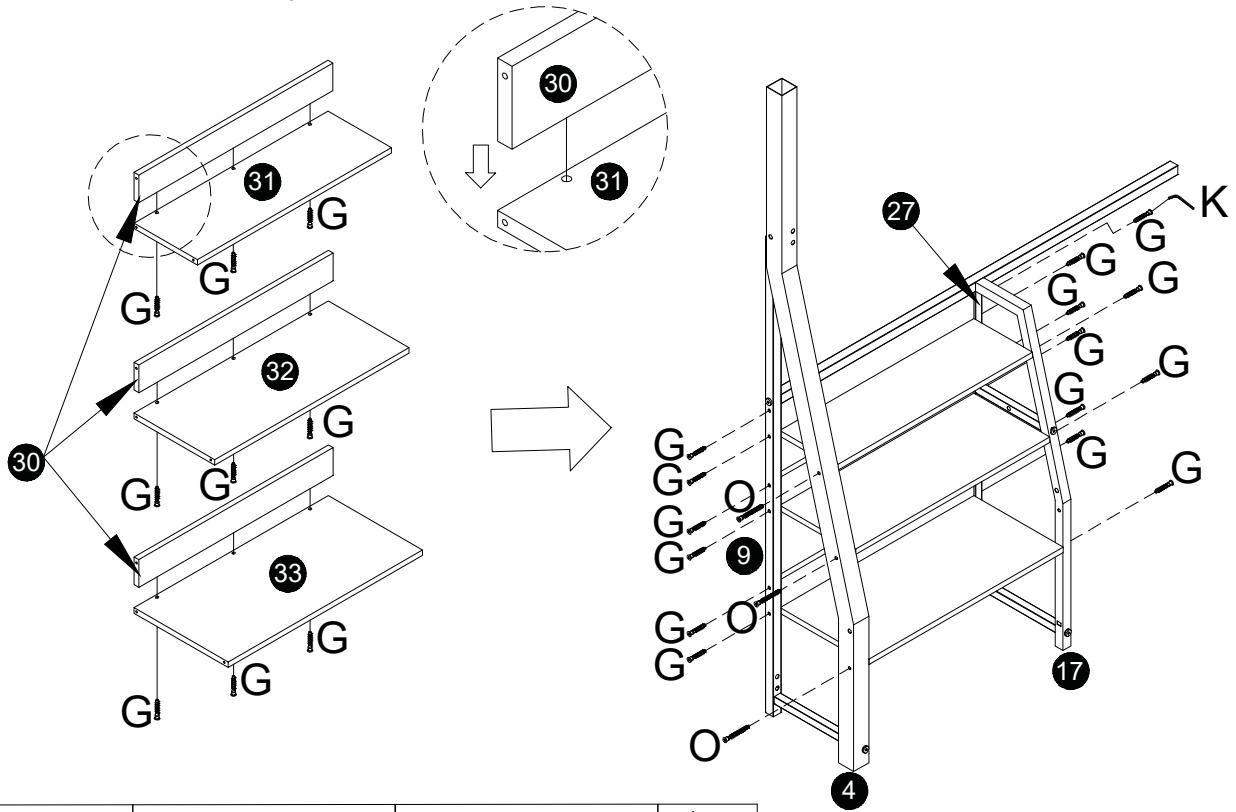


x1



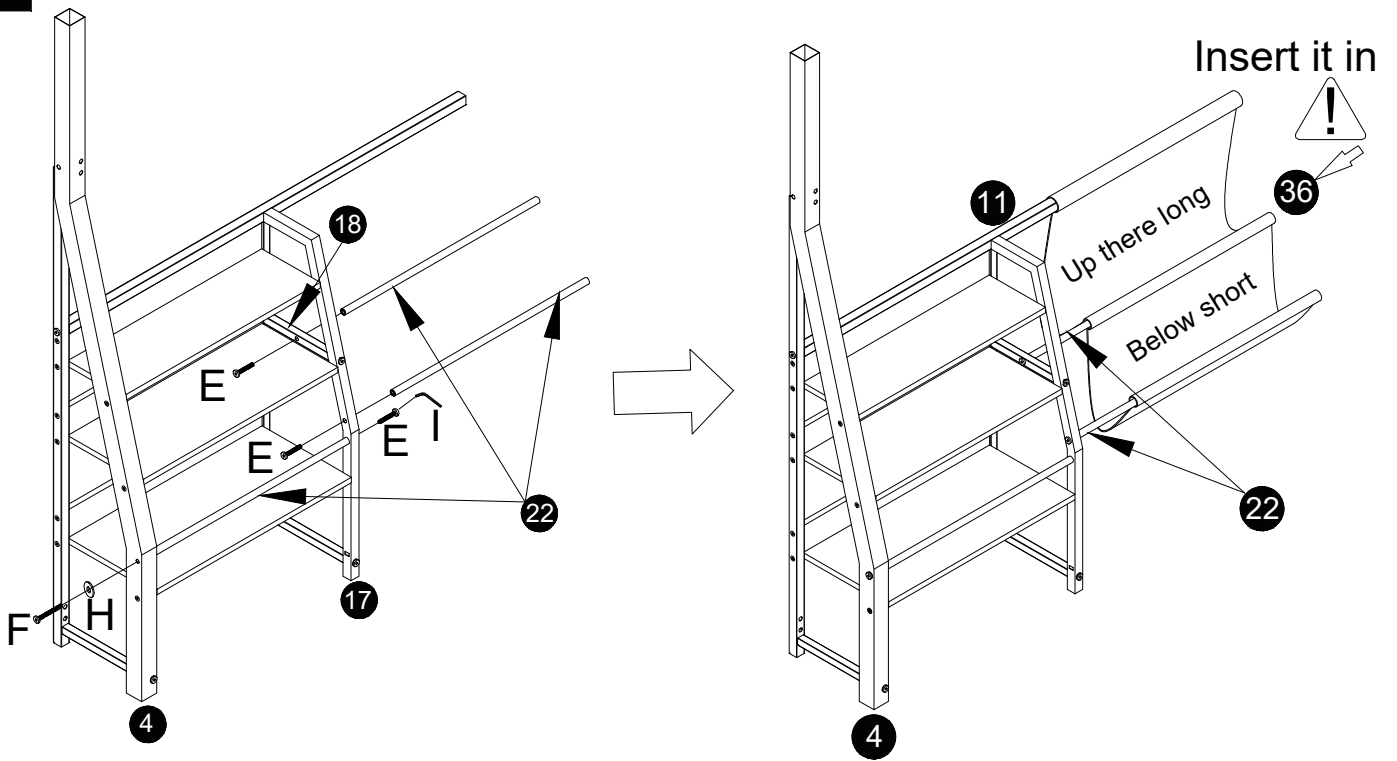
5

Please pay attention to the direction of the hole position.



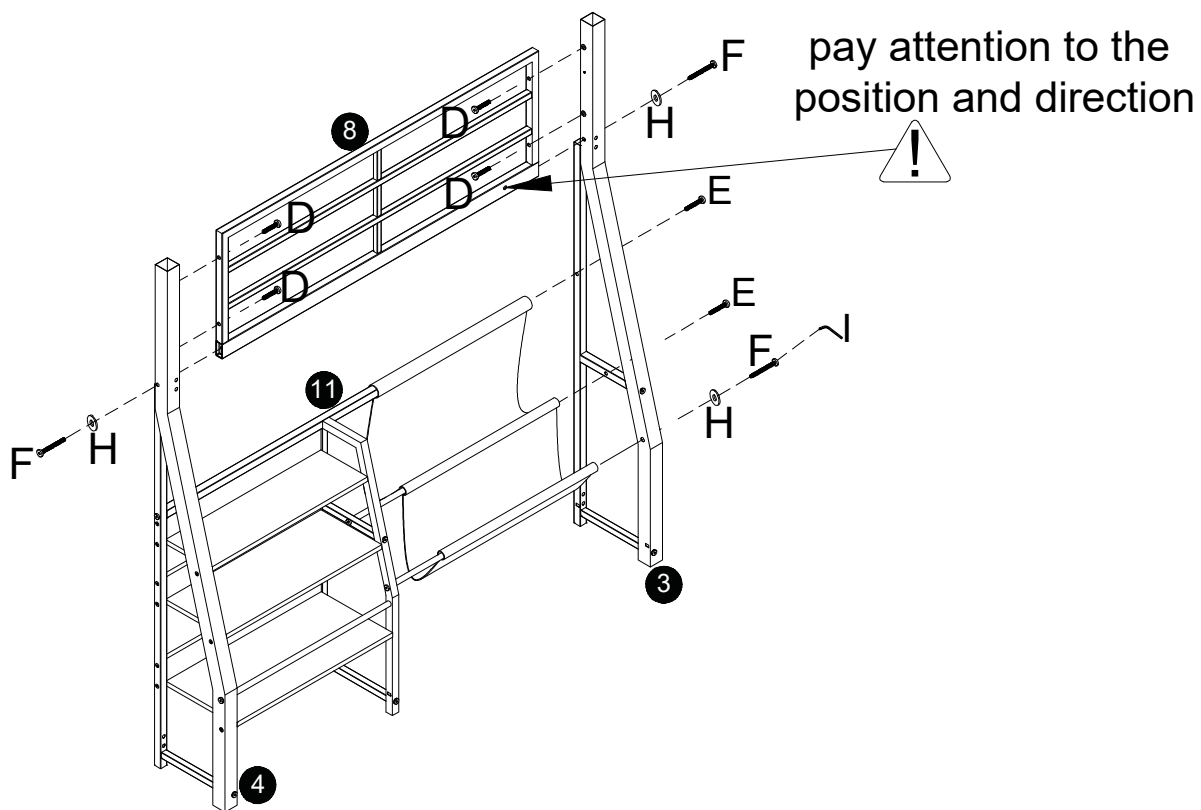
G	M5*50	O	M5*60	K	#3	
	x24		x3		x1	

6



F	M6*60	E	M6*40	H	M6 washer	I	#4	
	x1		x3		x1		x1	

7



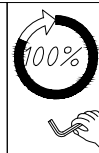
F M6*60
x3

E M6*40
x2

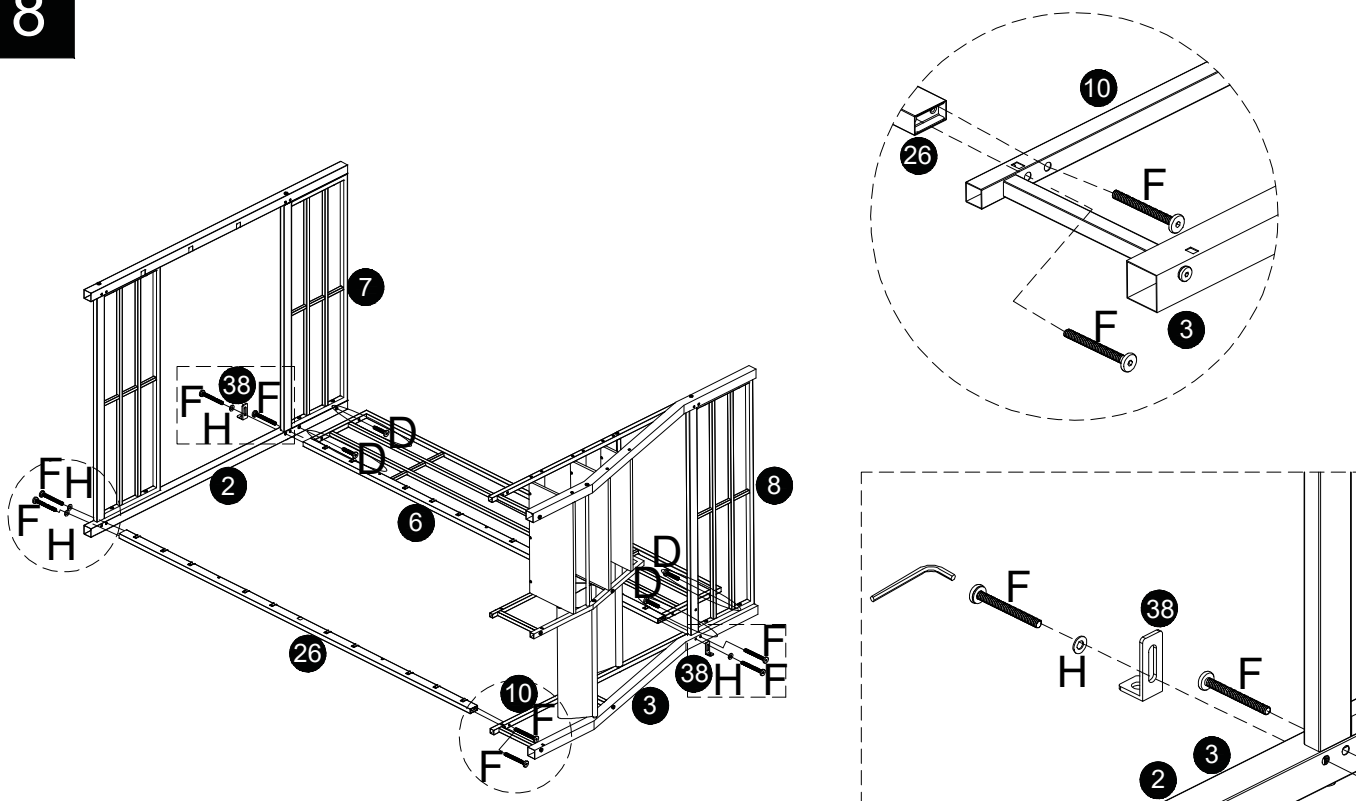
H M6 washer
x3

D M6*35
x4

I #4
x1



8

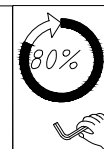


F M6*60
x8

D M6*35
x4

H M6 washer
x4

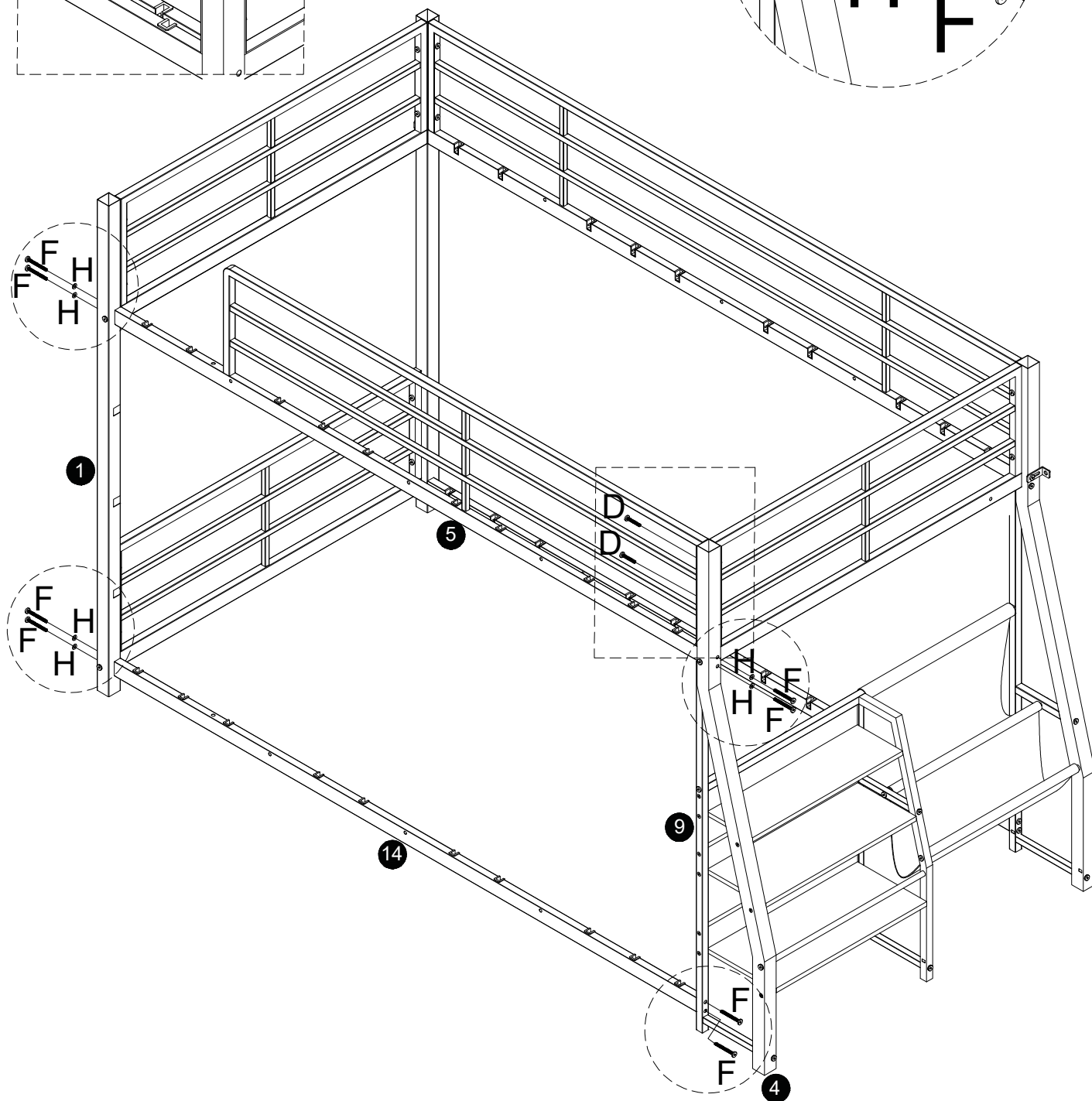
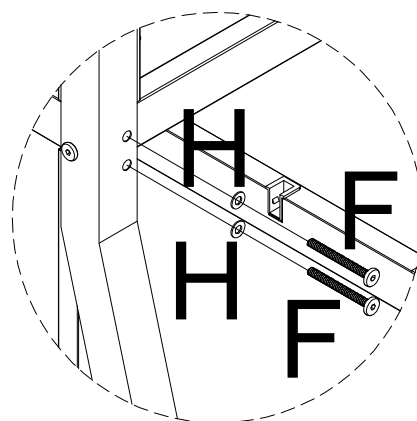
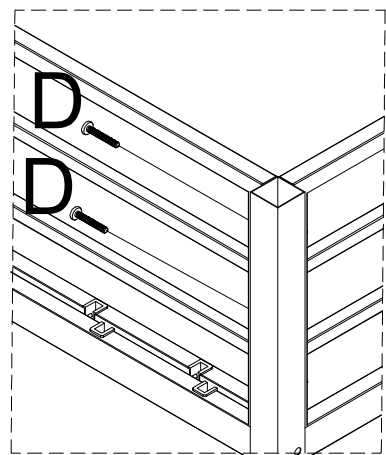
I #4
x1



It needs at least two people to install

9

Please pay attention to the direction of the hole position.

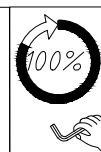


F M6*60
x8

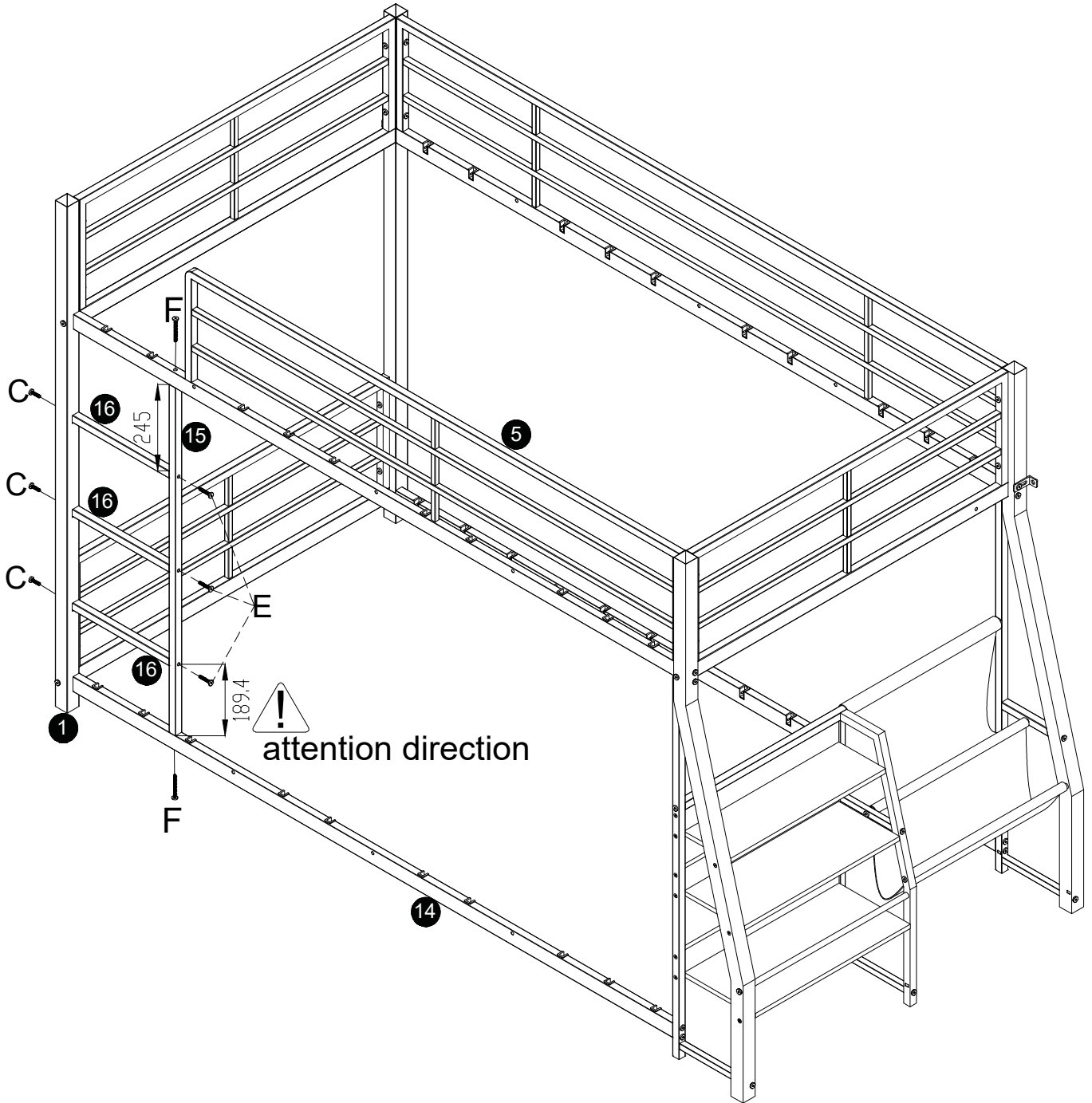
D M6*35
x2

H M6 washer
x6

I #4
x1



Please pay attention to the direction of the hole position.

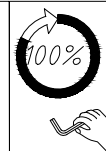


F M6*60
x2

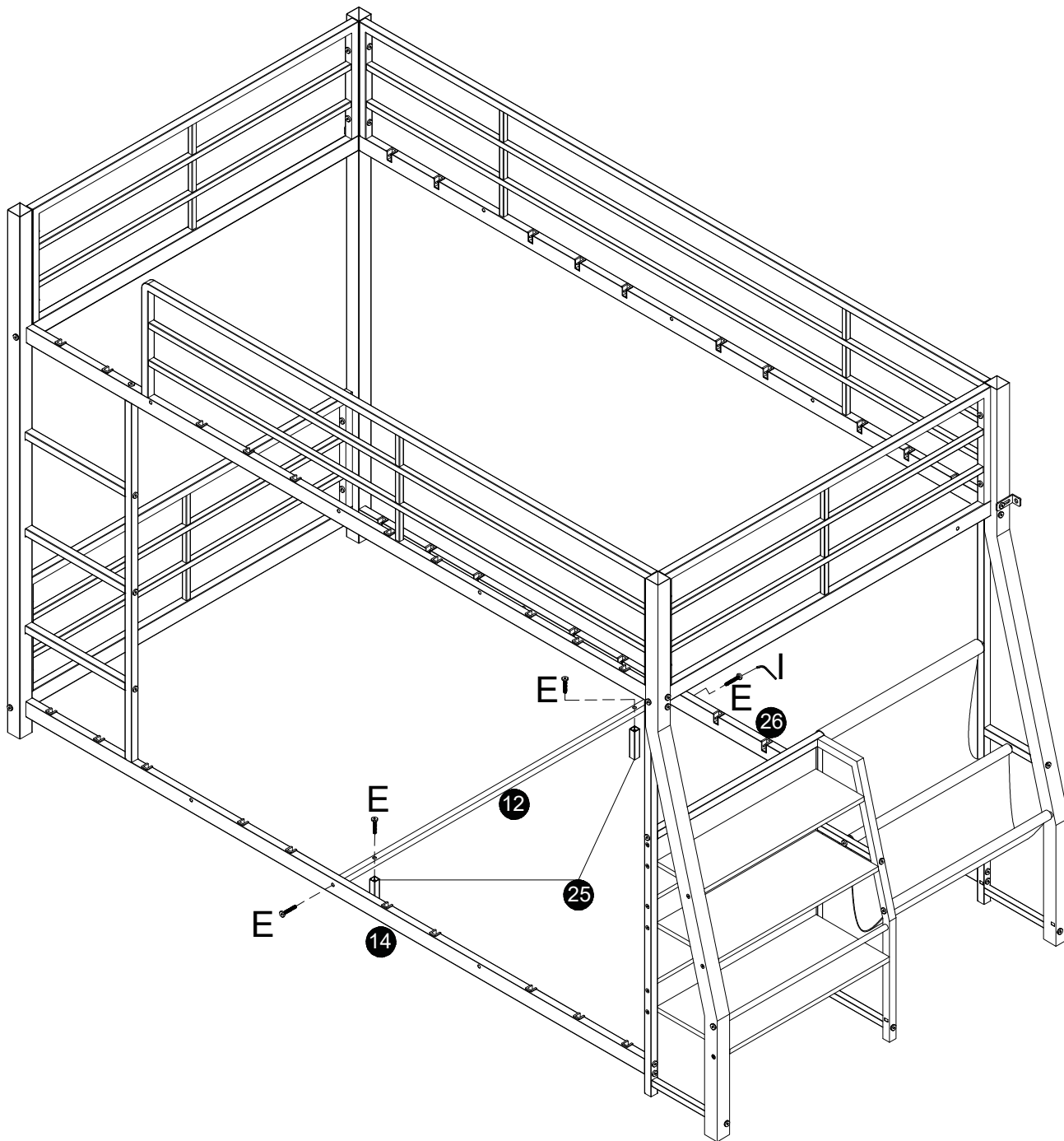
E M6*40
x3

C M6*20
x3

I #4
x1



Please pay attention to the direction of the hole position.



E M6*40

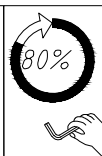


x4

I #4

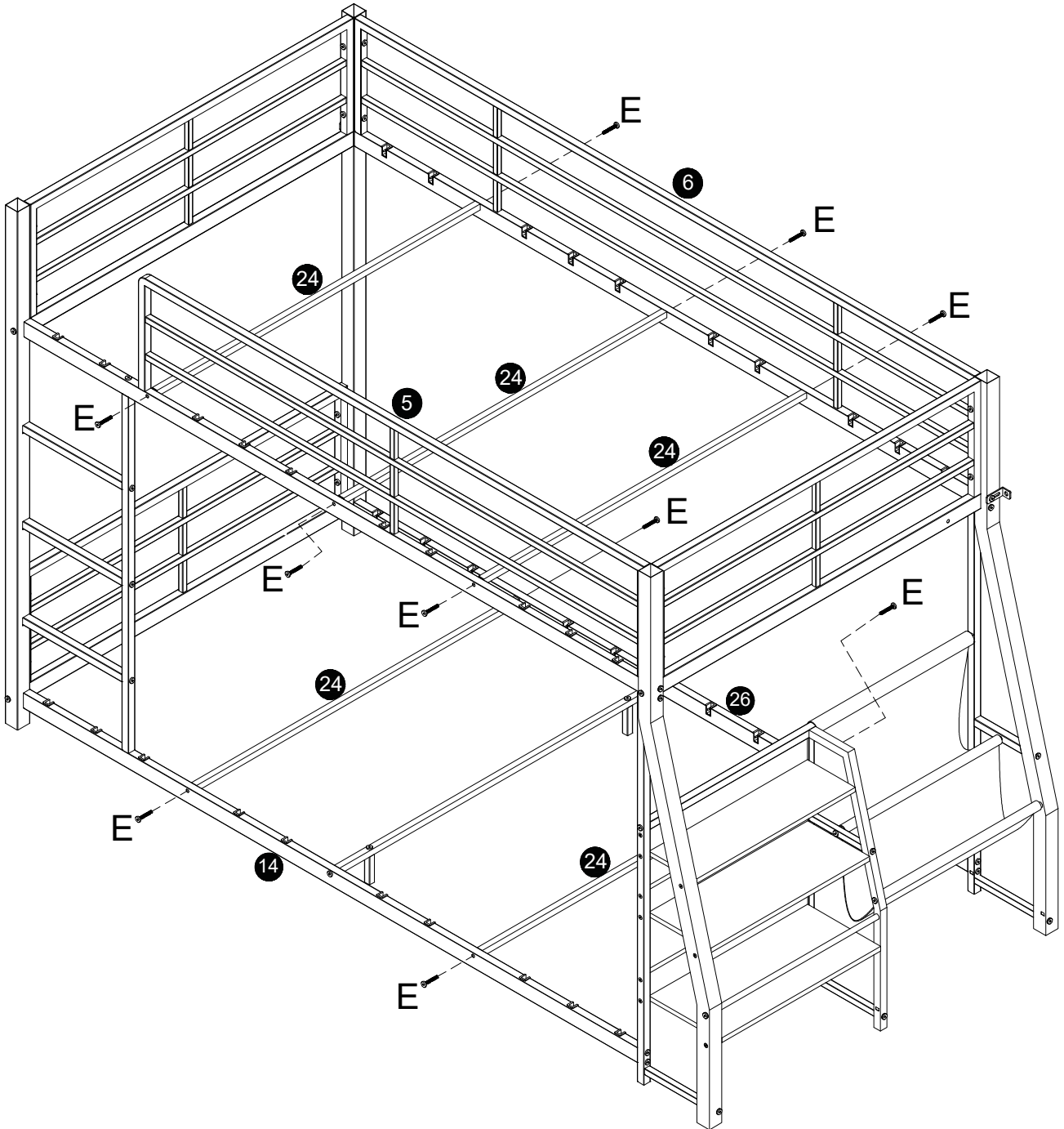


x1



Be careful not to overtighten the screws.

Please pay attention to the direction of the hole position.



E M6*40

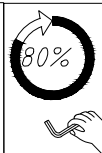


x10

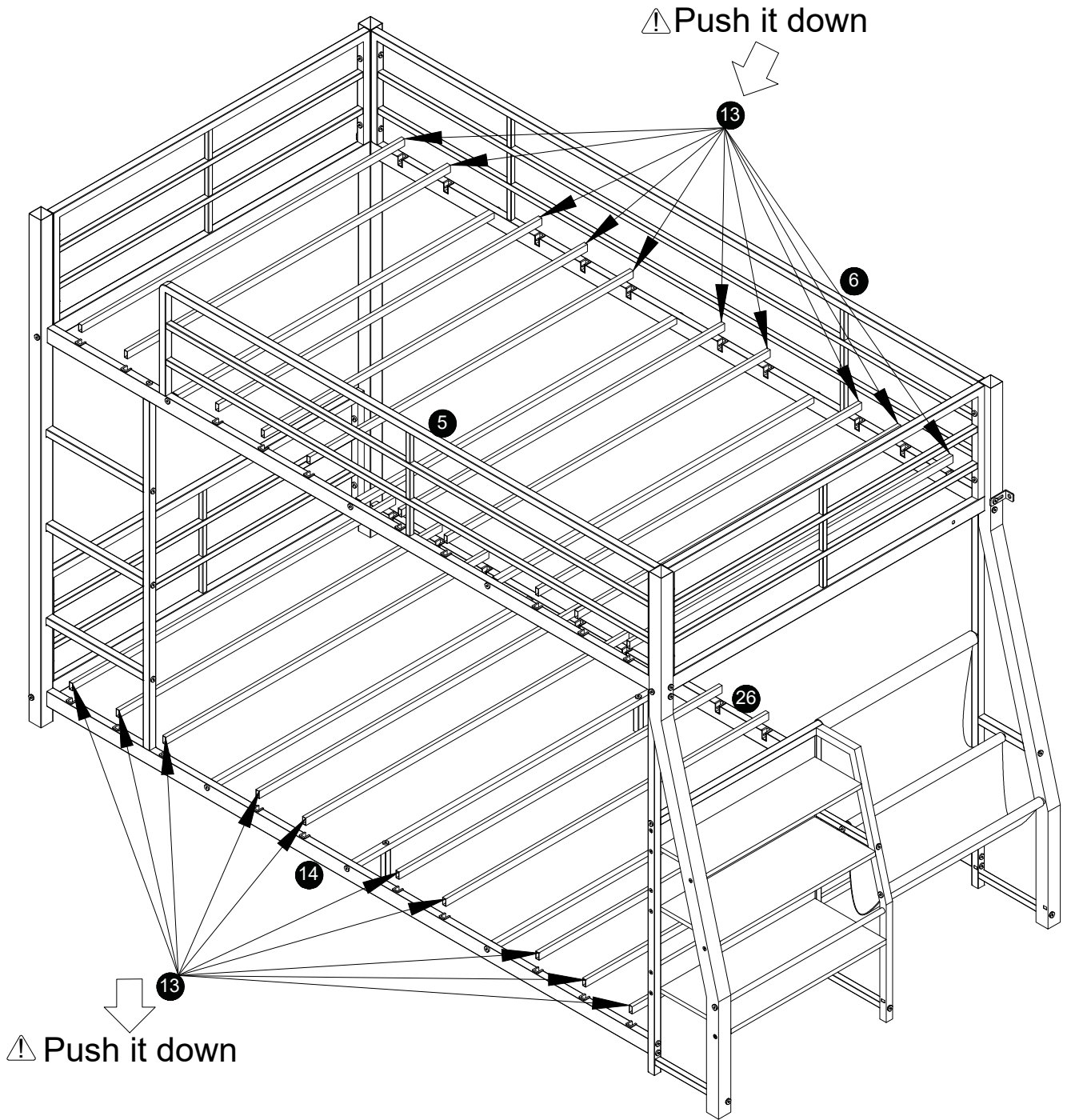
I #4

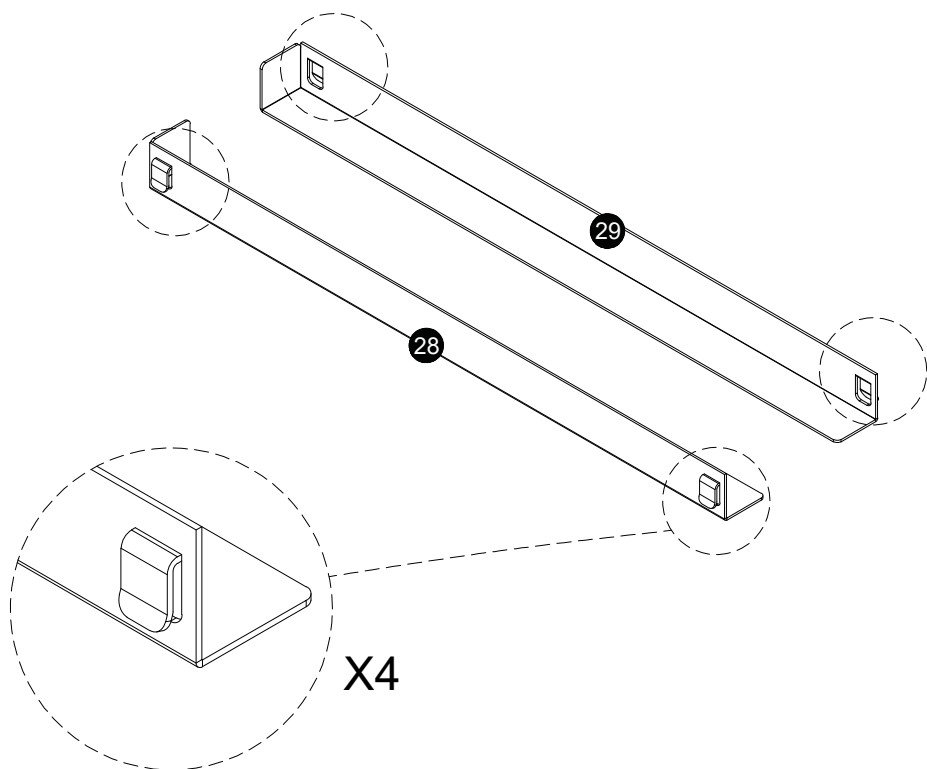


x1

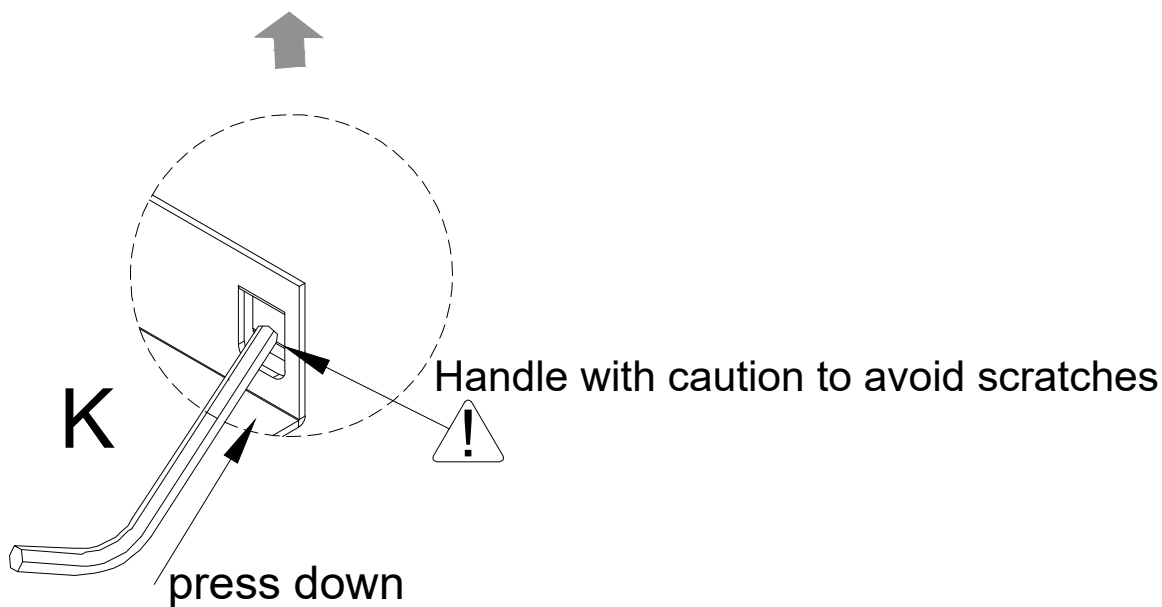


Be careful not to overtighten the screws.






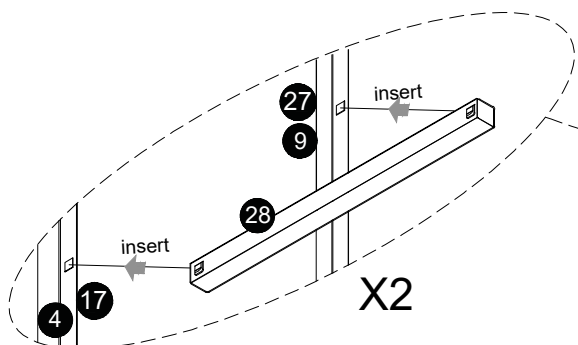
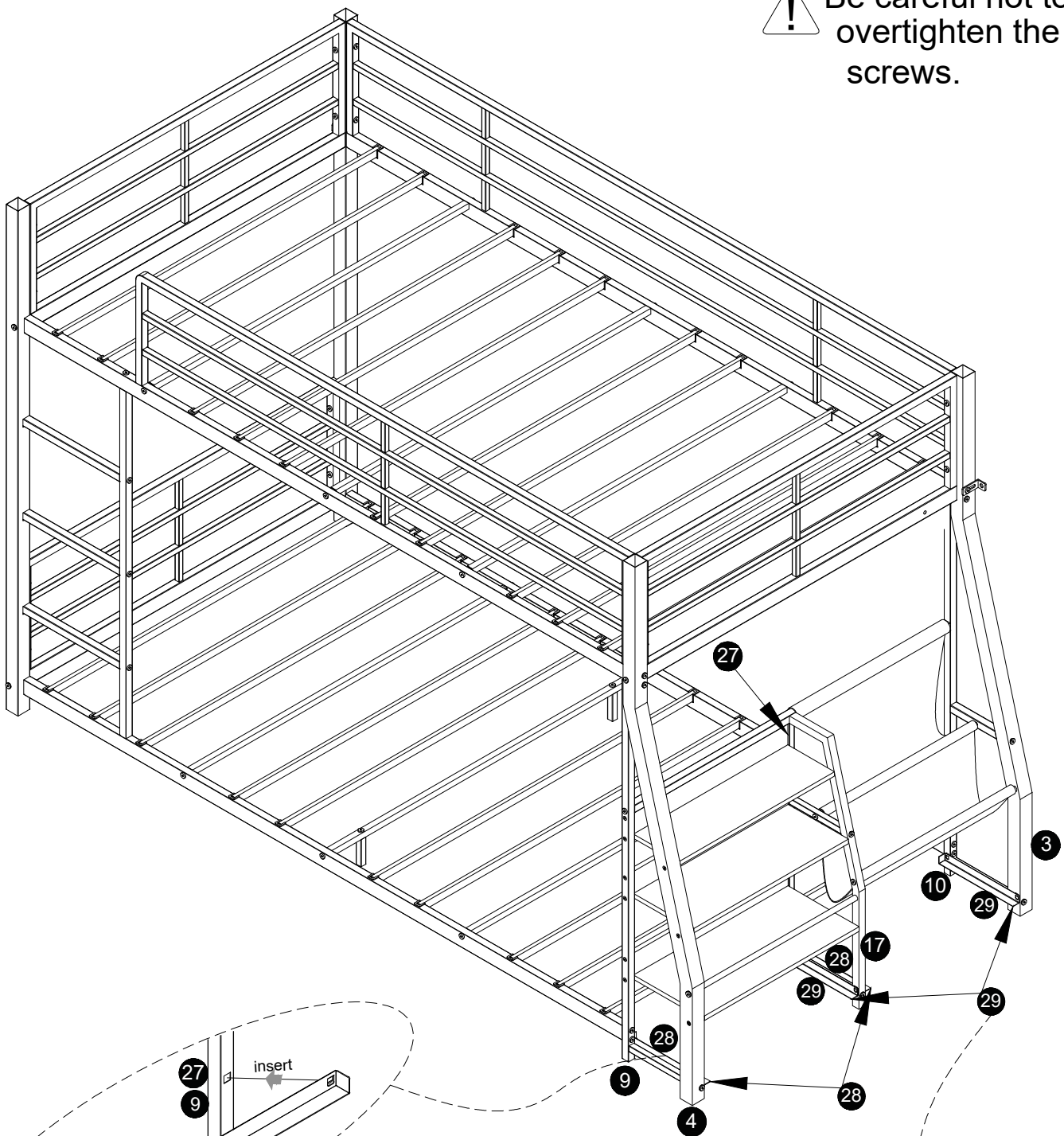
Check here before installation, if there is deformation due to squeezing, please adjust it with tools to avoid affecting normal installation.



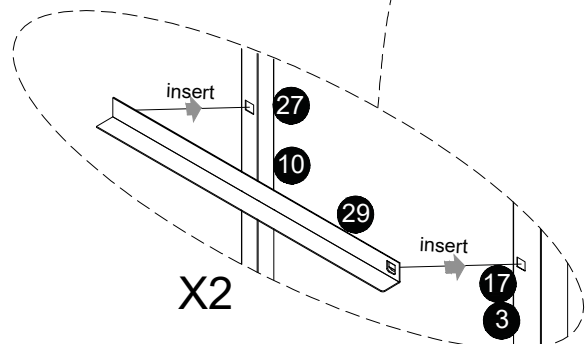
Please fine-tune in this direction to make it easier to install.

Please pay attention to the direction of the hole position.

 Be careful not to overtighten the screws.

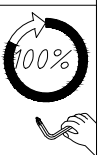
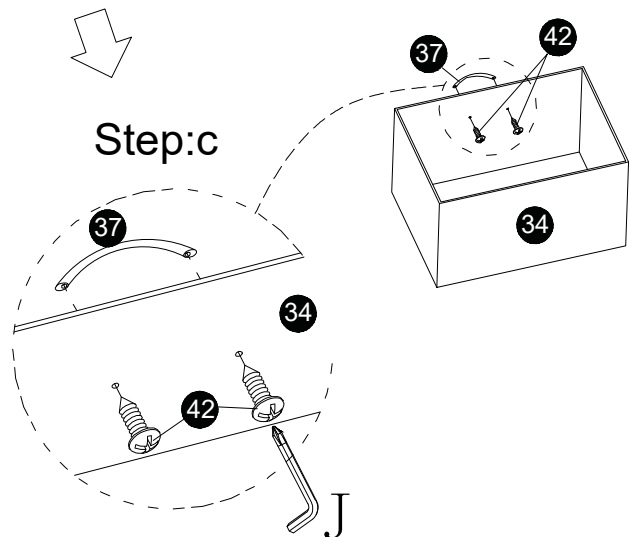
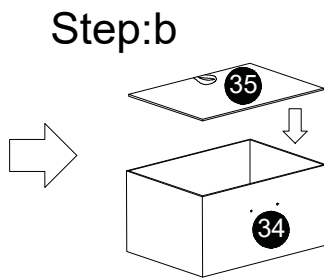
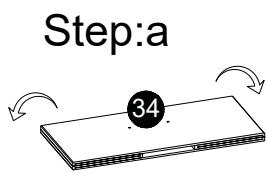
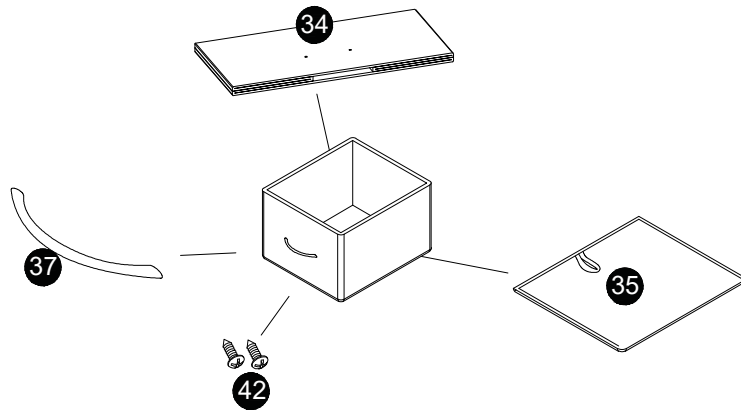


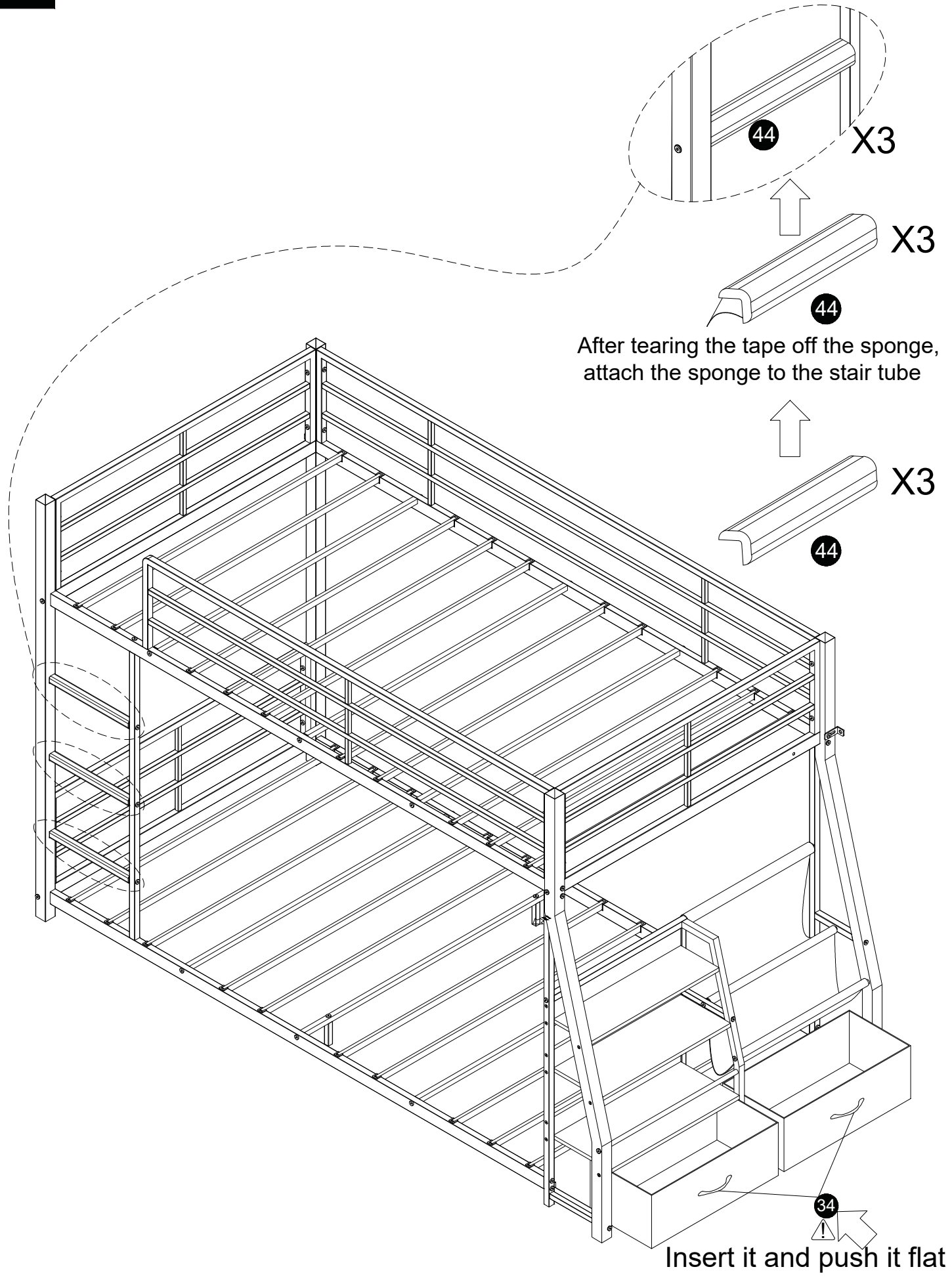
Insert the square hole in the direction of the Arrow and press down



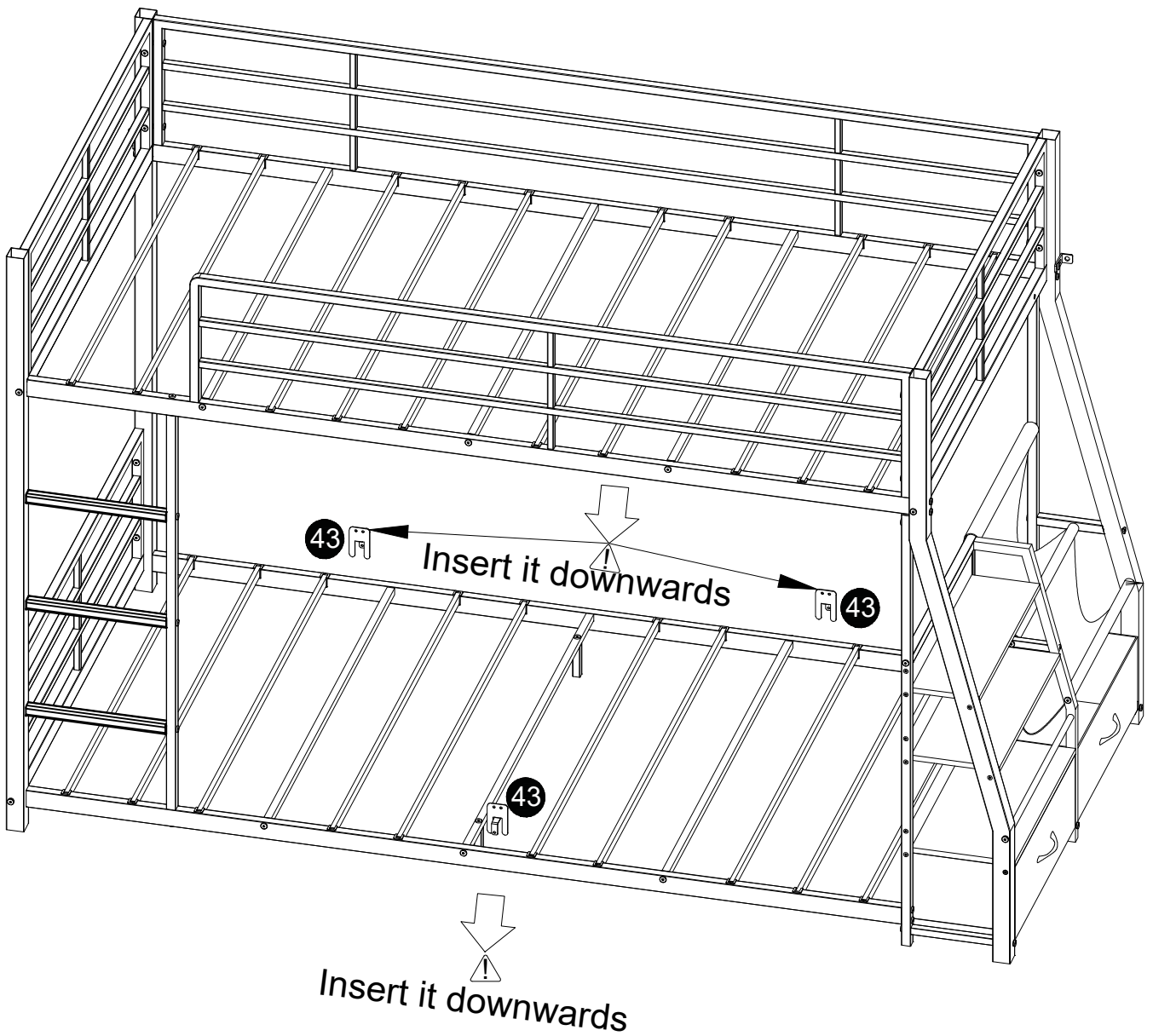
Insert the square hole in the direction of the Arrow and press down

Please pay attention to the direction of the hole position.



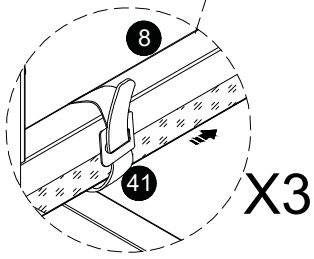
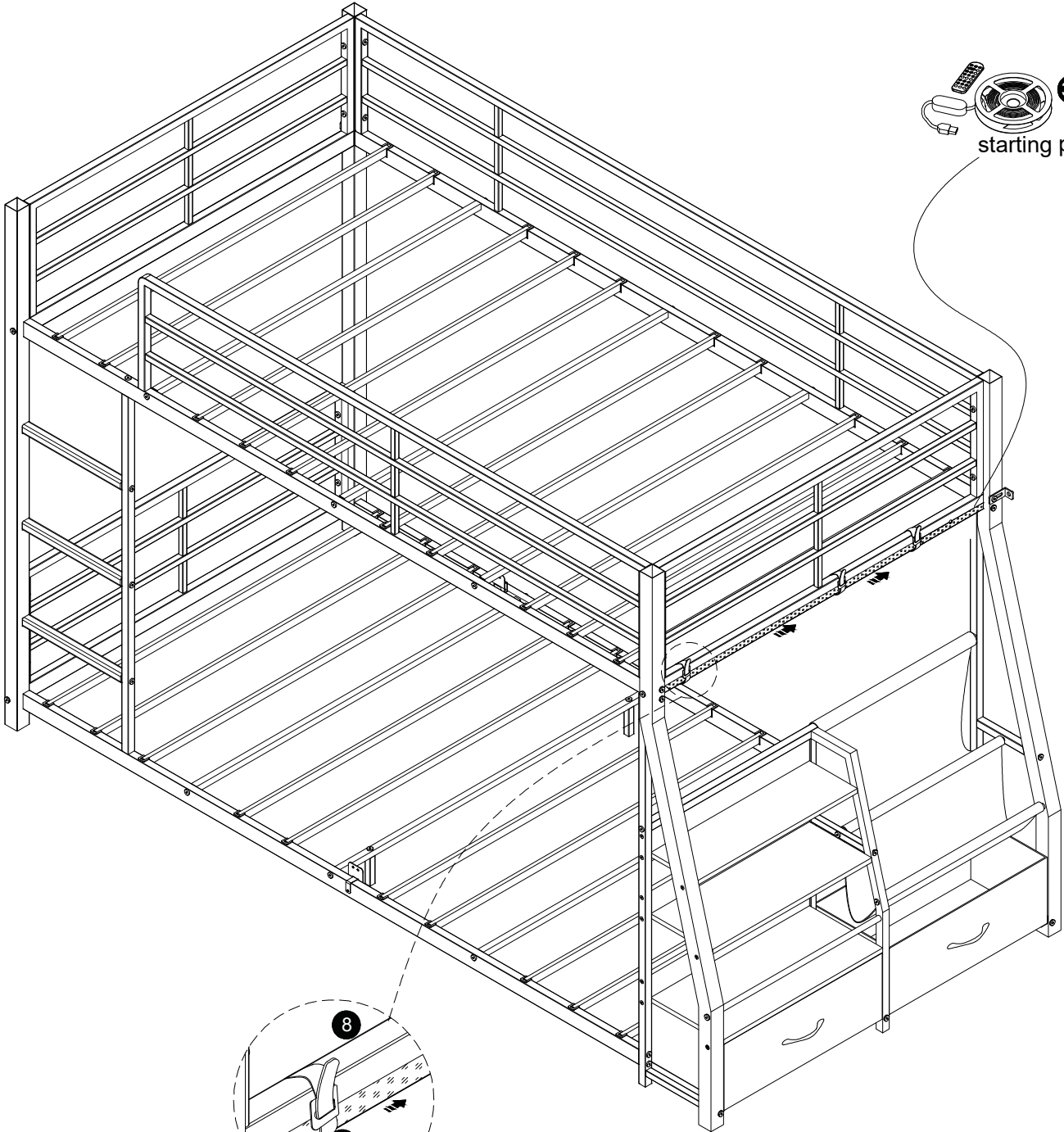


Please pay attention to the direction of the hole position.






Tear off the end of the tape .Stick it in the position as shown

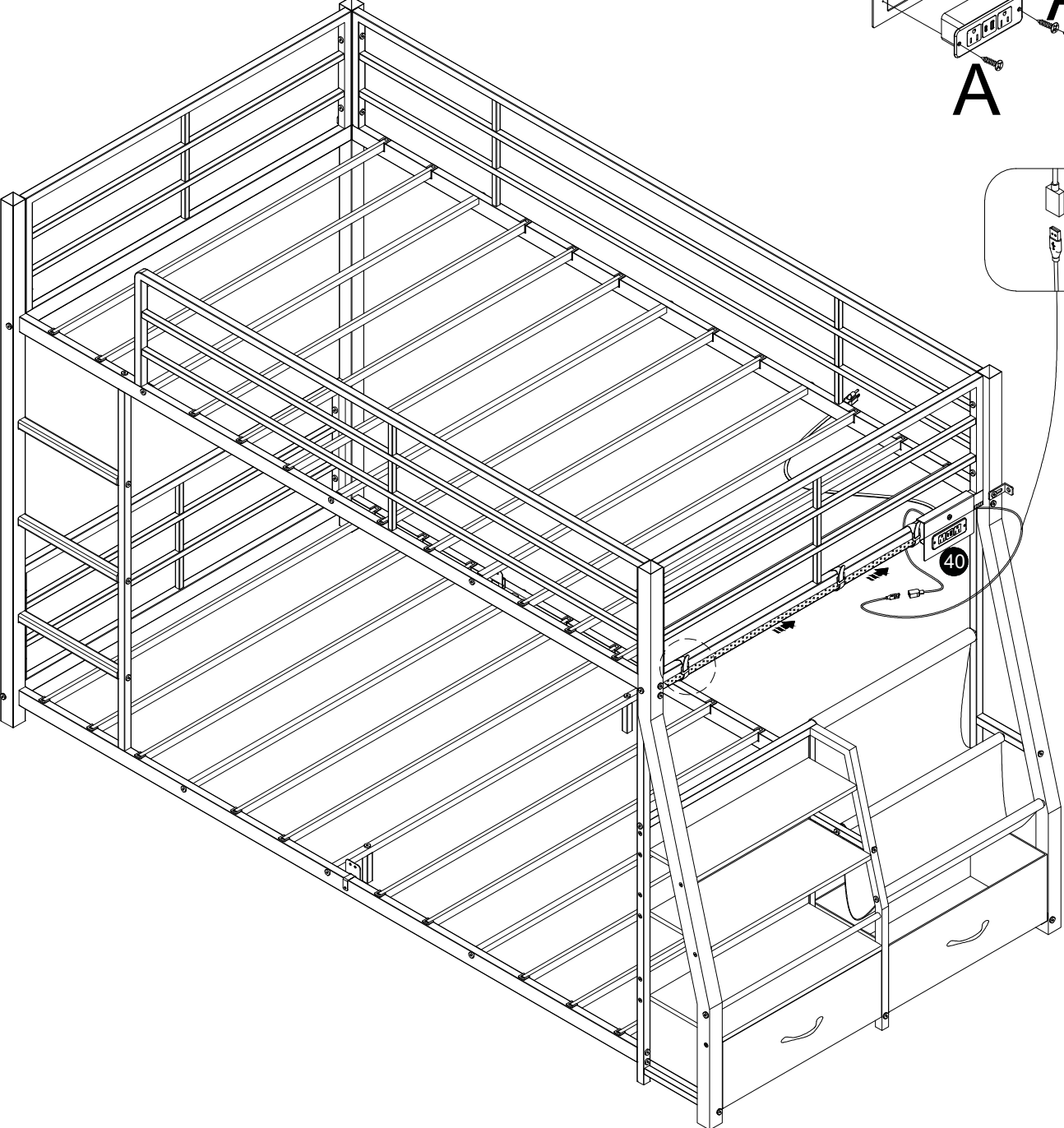
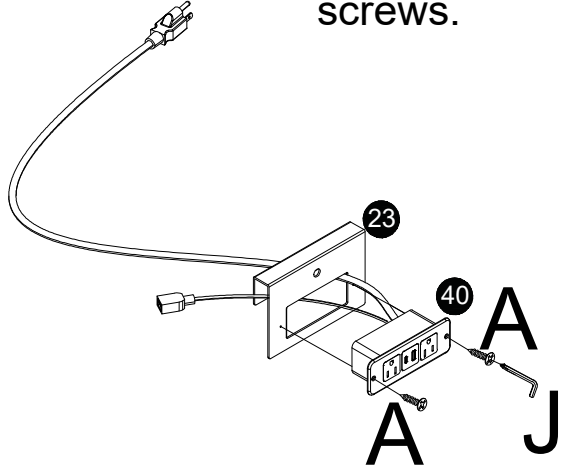
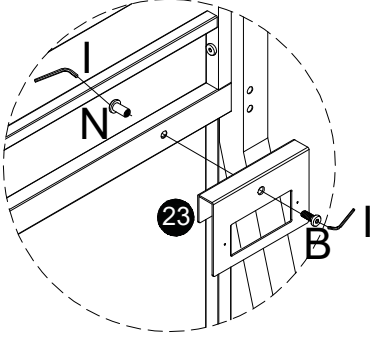


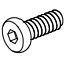





The light strip is stuck under the iron pipe



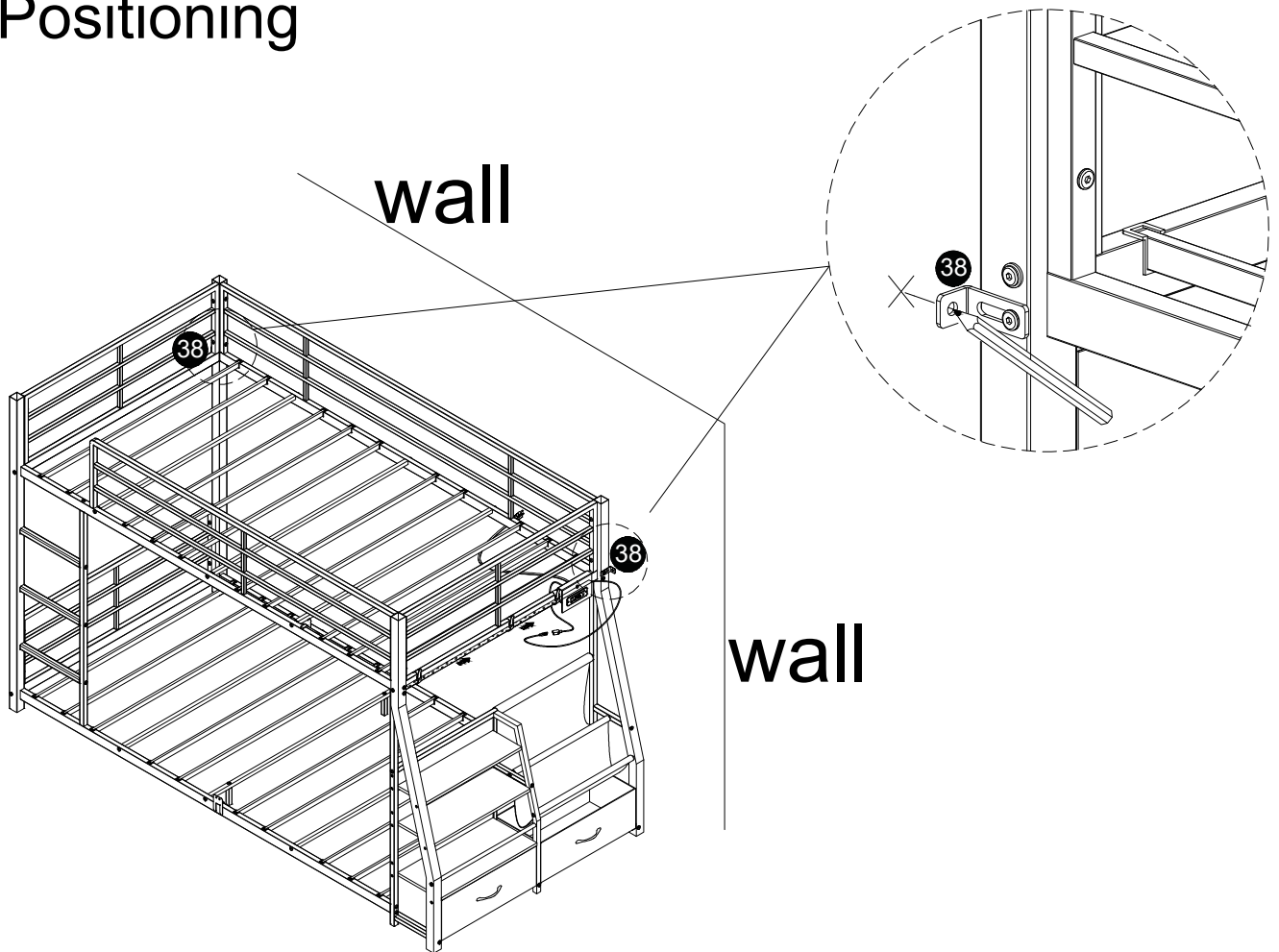
Be careful not to overtighten the screws.

 Be careful not to overtighten the screws.

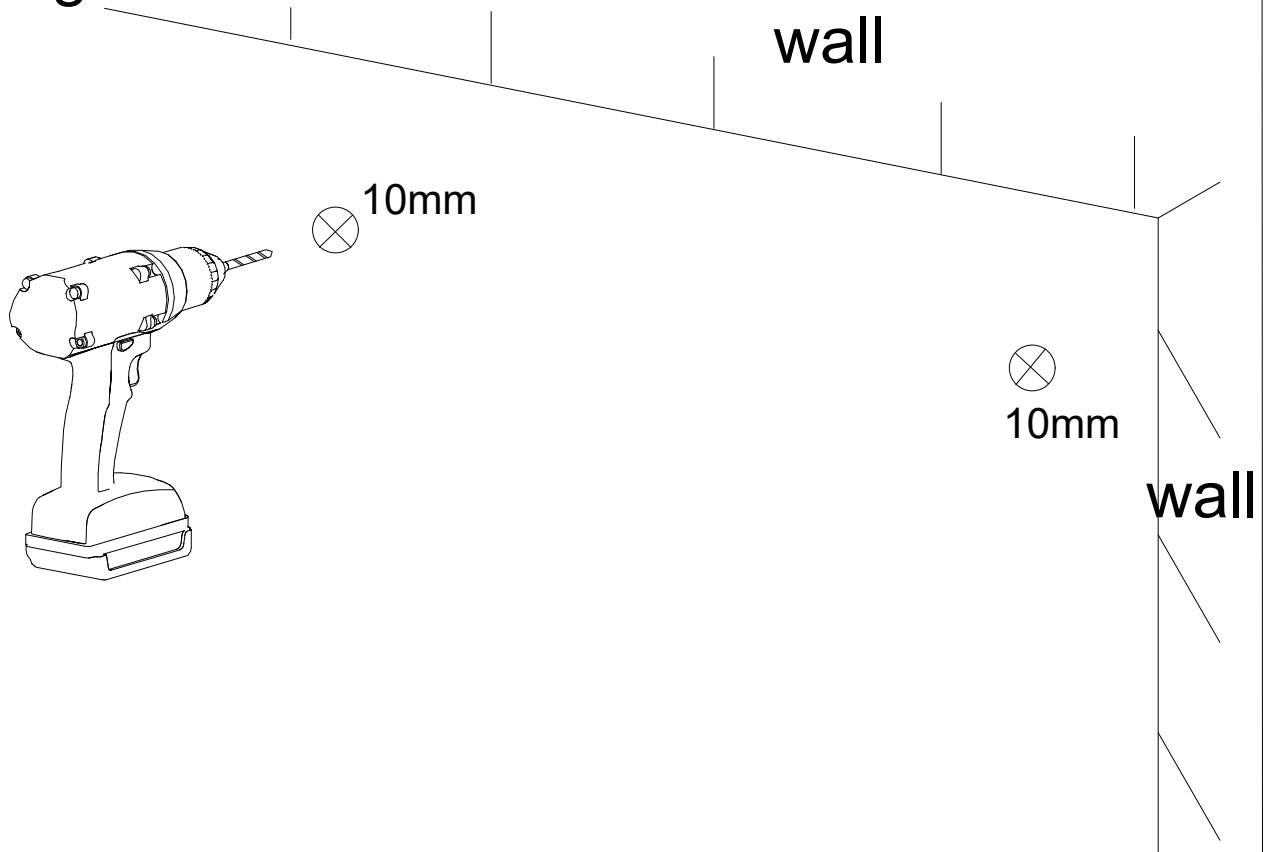


<p>B M6*15  x1</p>	<p>A M3*10  x2</p>	<p>N M6 *15  x1</p>	<p>I #4  x1</p>	<p>J #4  x1</p>	
---	---	--	--	--	---

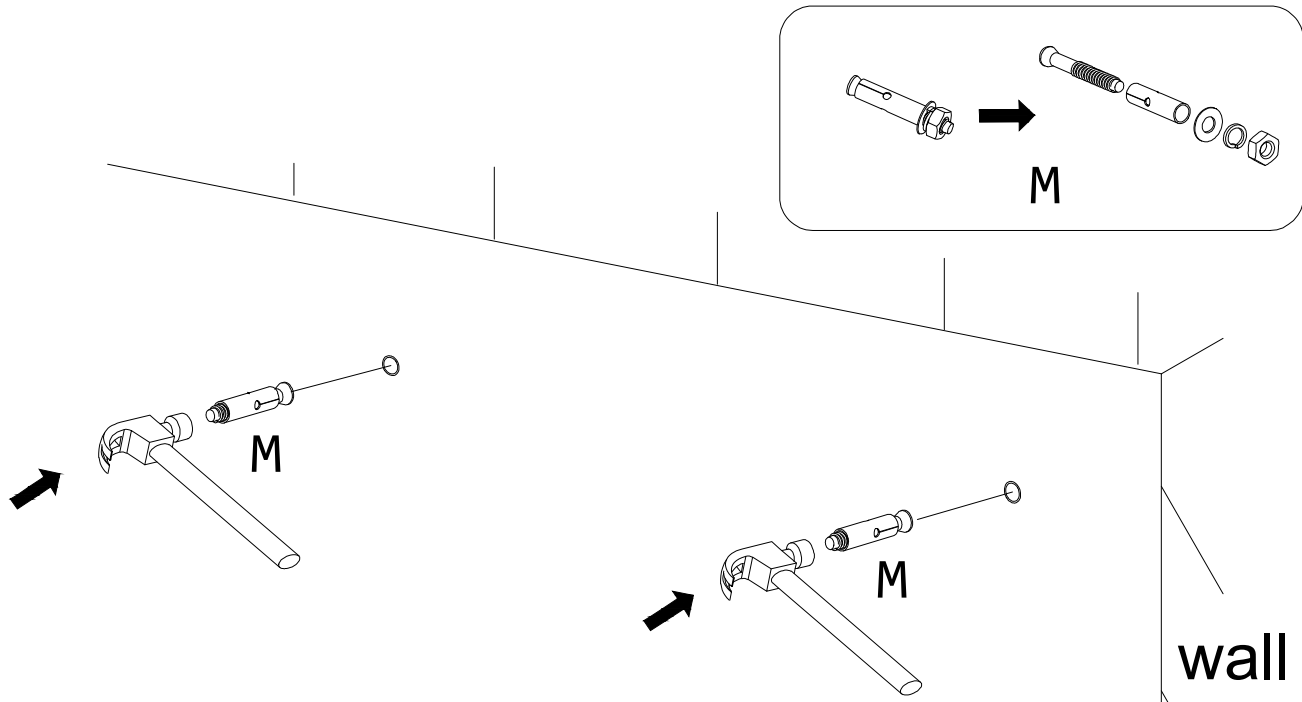
21 Positioning



22 Drilling

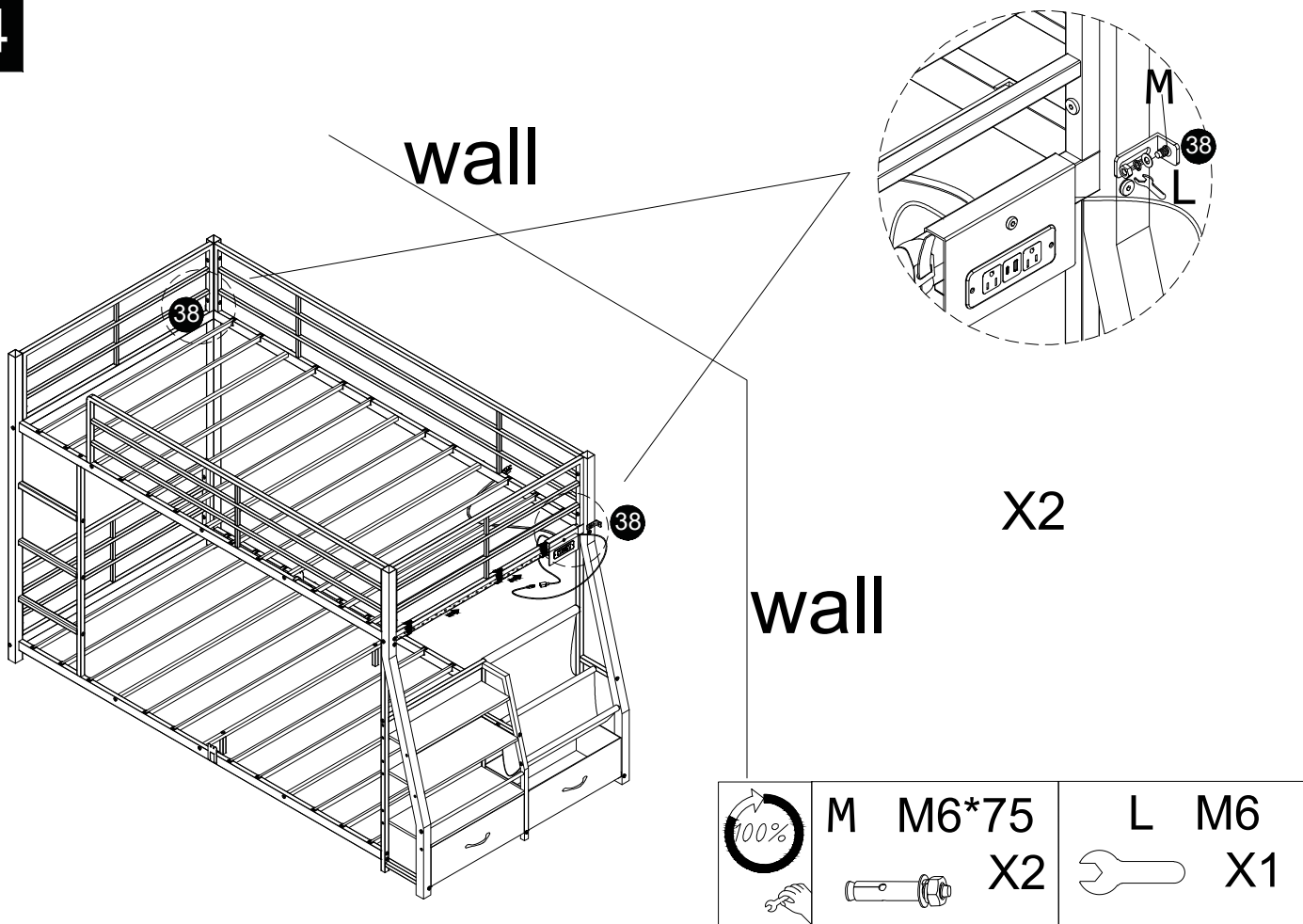


23



Please lock the expansion screw onto the wall

24



	M	M6*75		L	M6
		X2			X1