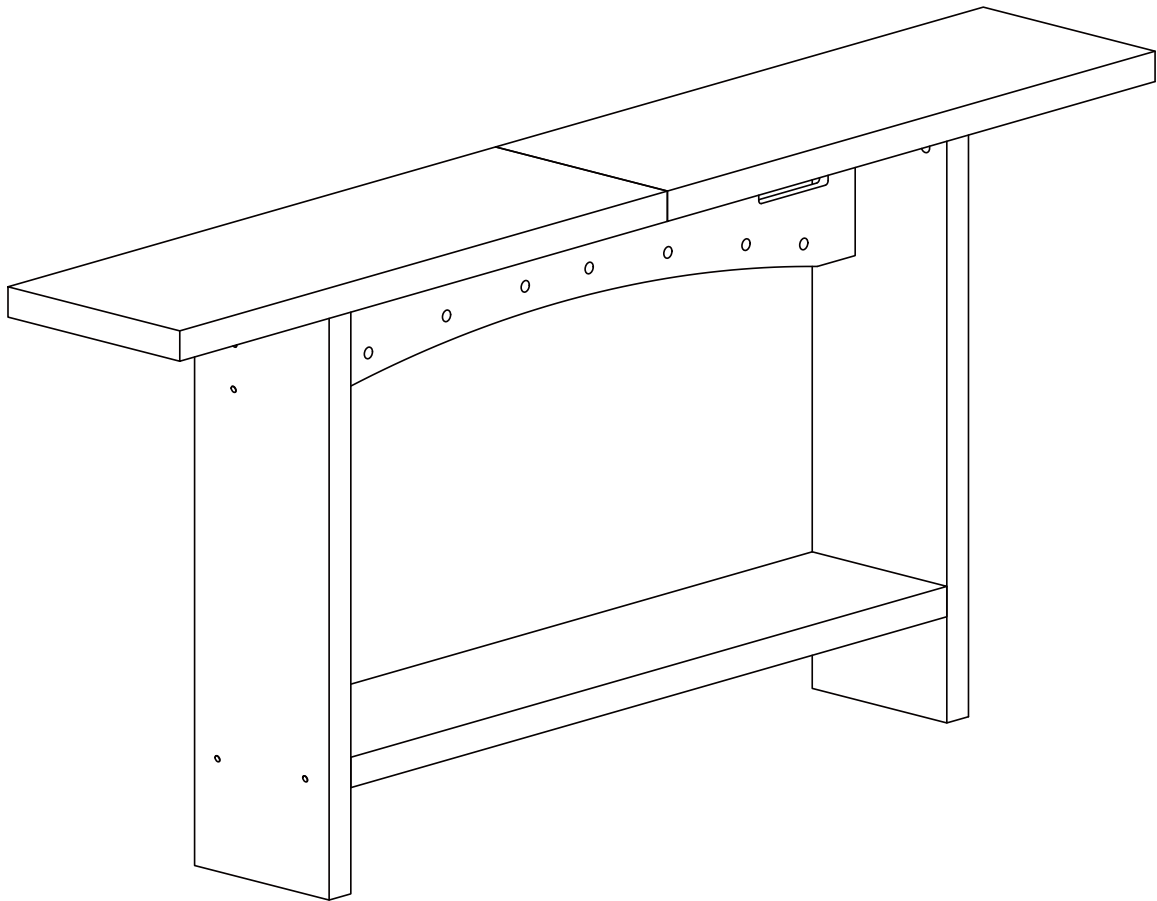


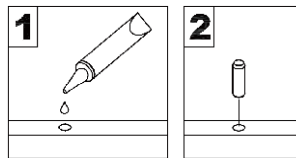
User Manual

Sofa Table

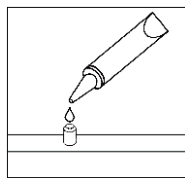


General Assembly Guidelines

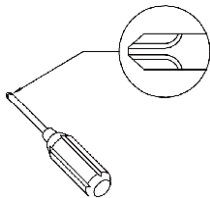
- I. Please ensure that all parts and hardware are available before assembly
- II. Follow each step carefully to ensure the proper assembly of this product.
- III. For ease of assembly, two people are recommended to assemble this product.
- IV. The three main types of hardware are: wood dowels , screws and bolts.
- V. The glue is to secure wood dowels in place. When first inserting dowels, locate the appropriate hole for the dowel, and place a small amount of glue in the hole then insert the dowel. Please remember wipe away the excess glue immediately



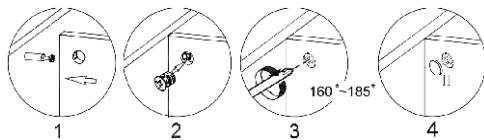
The dowels are necessary to attach assembly parts together in the following steps. Place a small amount of glue on the end of the dowel before attaching parts together. Please remember wipe away the excess glue immediately.



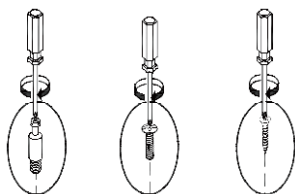
VI. A Philips head screwdriver is required for the assembly of this product.



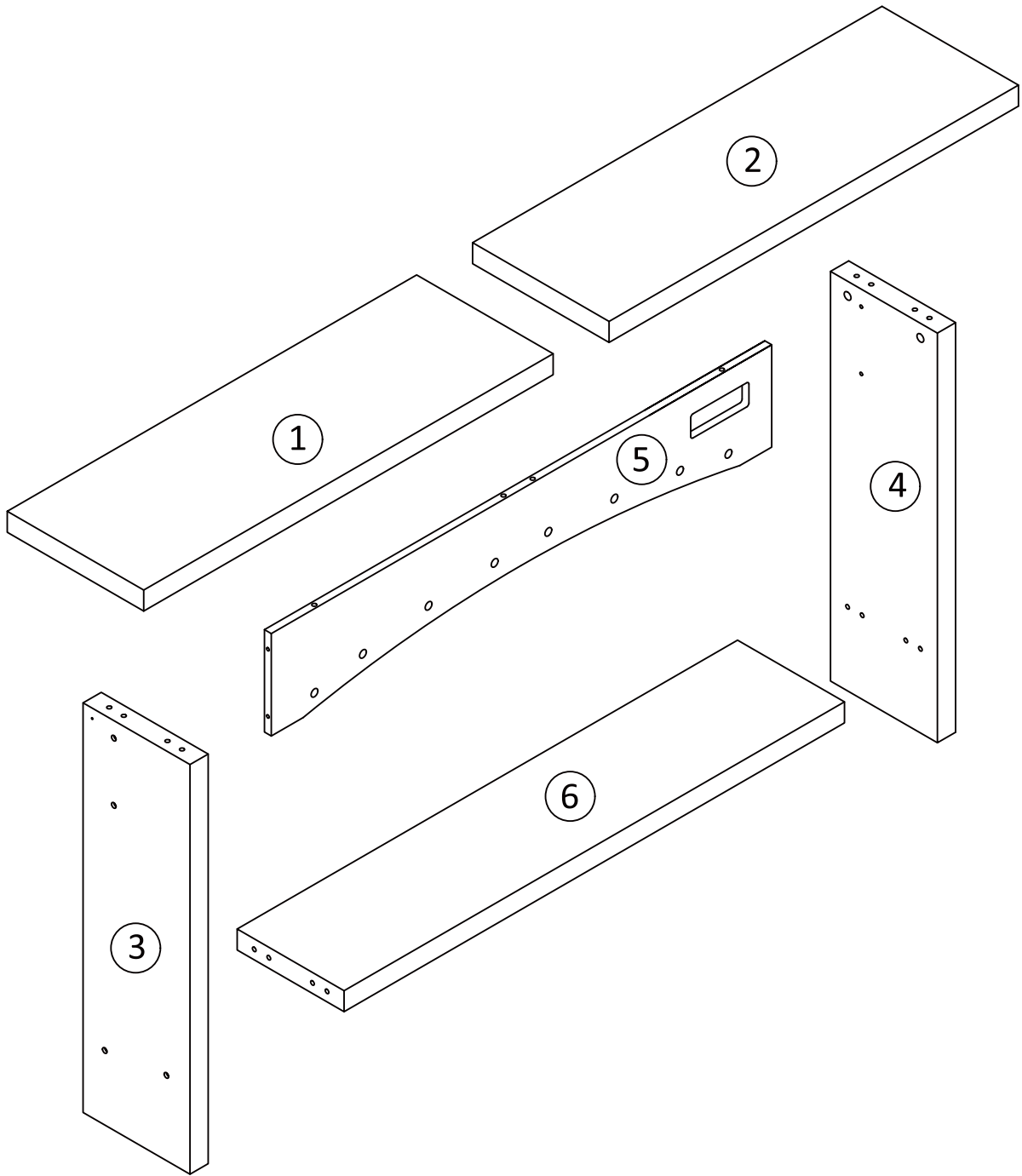
VII. Steps for assembly of three-in-one screws



VIII. Screw fixation diagram for all fittings




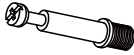



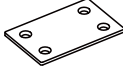




PARTS LIST





① X1 PC	② X1PC	③ X1PC	④ X1PC
⑤ X1 PC	⑥ X1 PC		

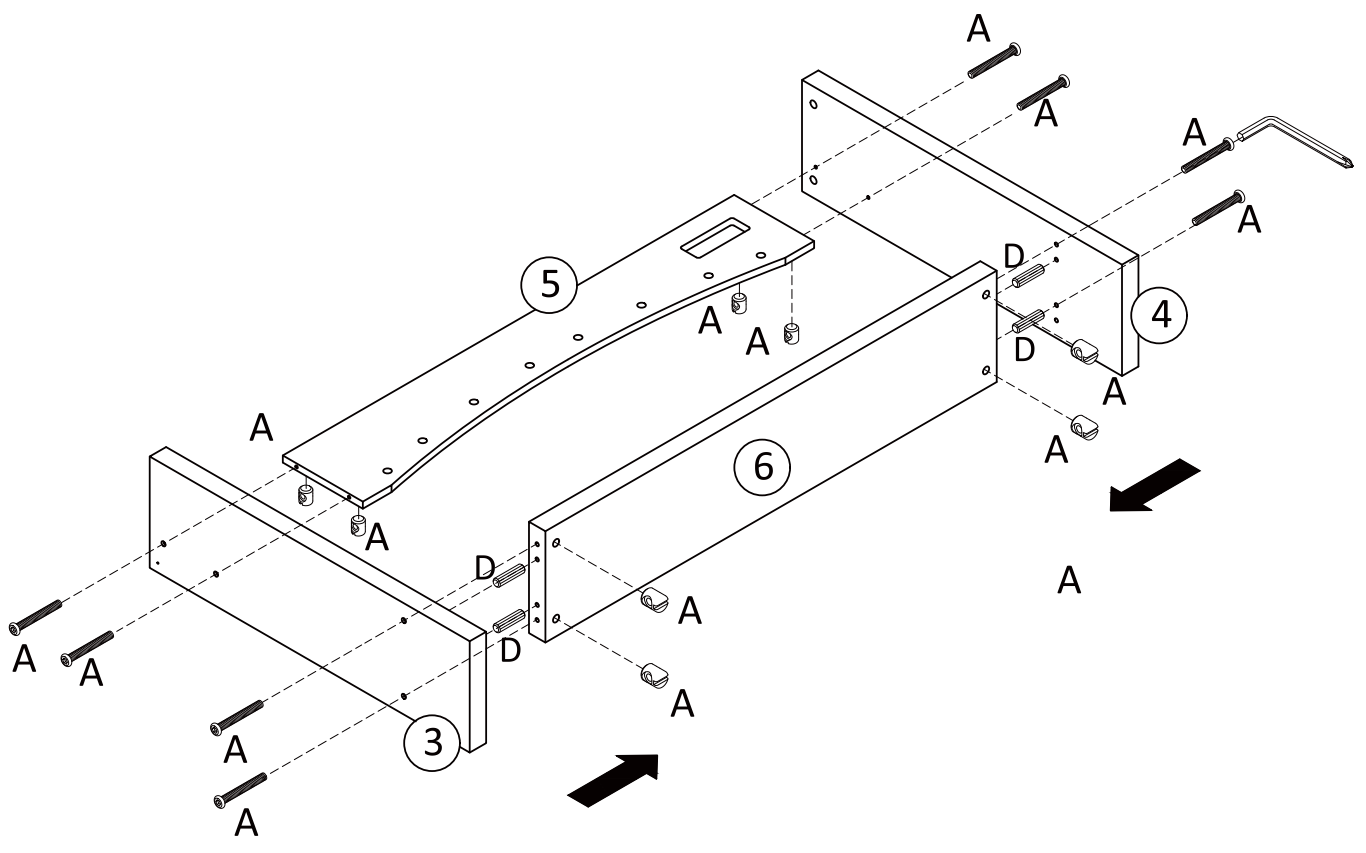
HARDWARE LIST

Screws & Tools:


A		$\varnothing 1/4 \times 65 \text{mm}$ 8sets
B		$\varnothing 6 \times 28 \text{mm}$ 8pcs
C		$\varnothing 15 \times 9 \text{mm}$ 8pcs
D		$\varnothing 8 \times 30 \text{mm}$ 10+1 pcs
E		$\varnothing 3.5 \times 25 \text{mm}$ 8pcs
F		2pcs
G		2sets 2sets
H		8pcs
I		1set $\varnothing 3.5 \times 15 \text{mm}$
J		1pc

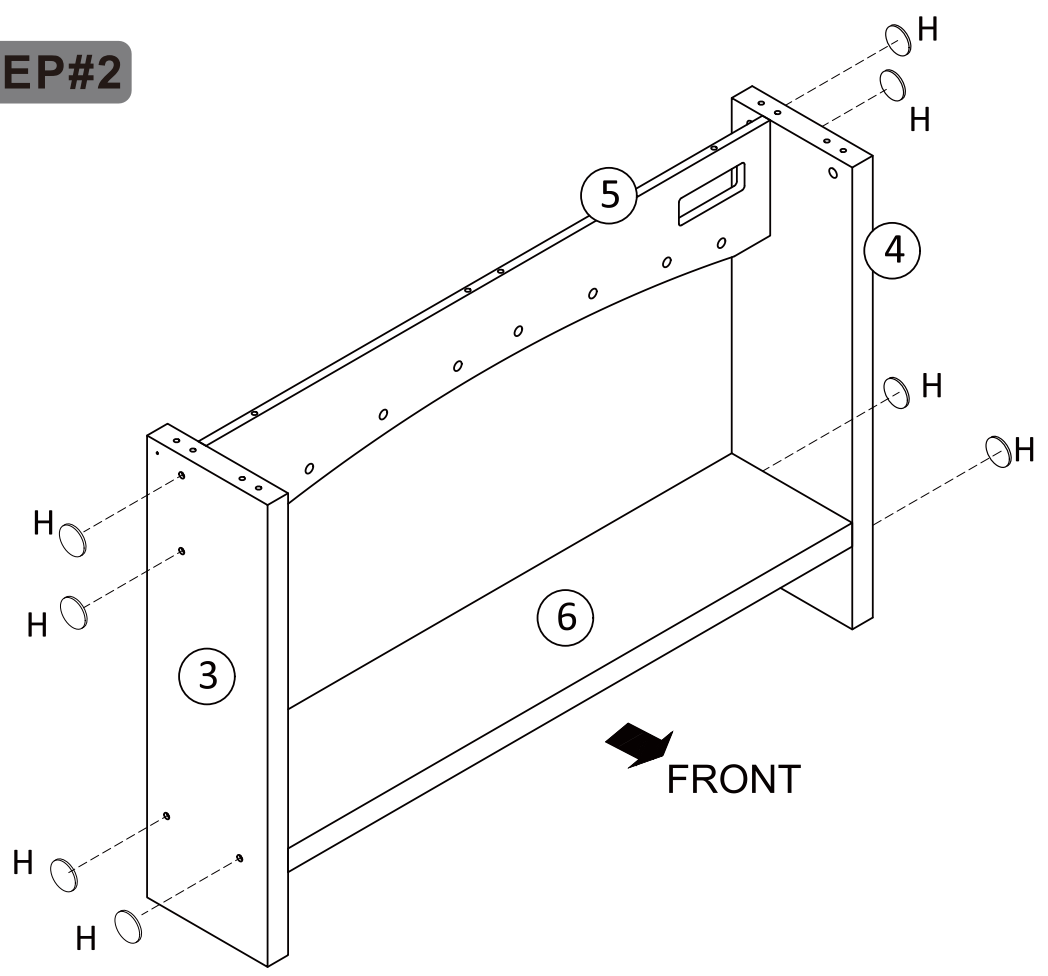
STEP#1

A x 8sets	D x 4pcs
	



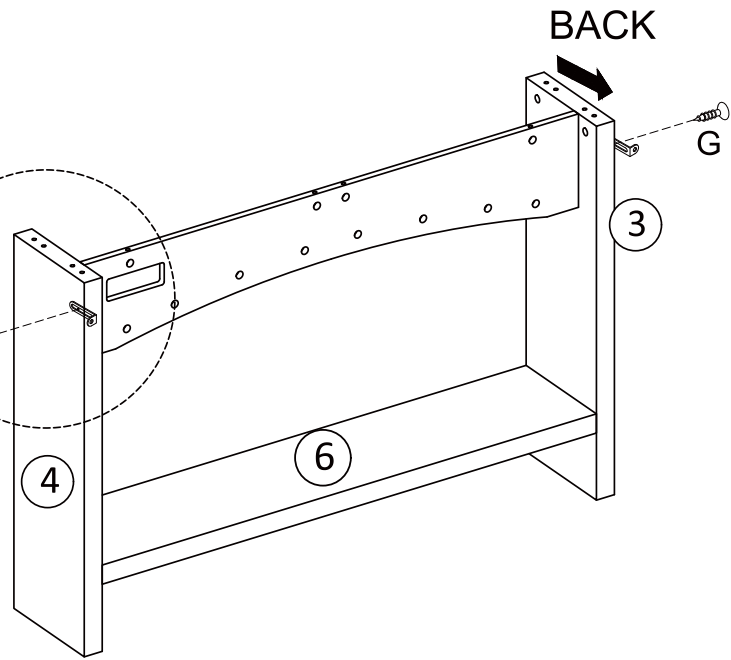
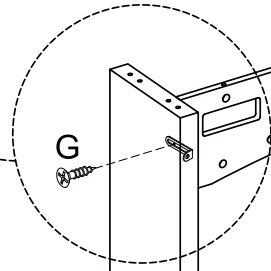
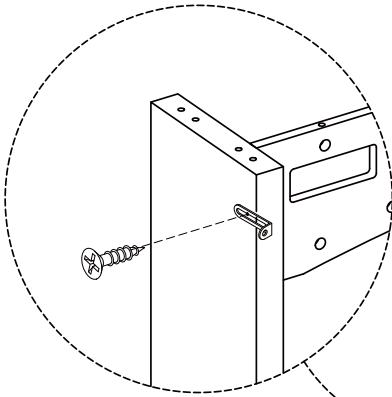
STEP#2

H x 8pcs




STEP#3

G x 2sets



STEP#4

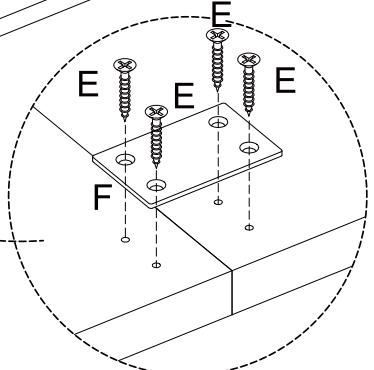
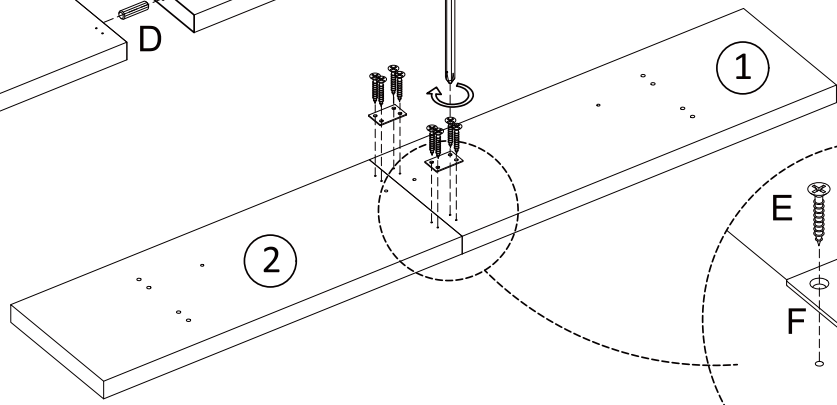
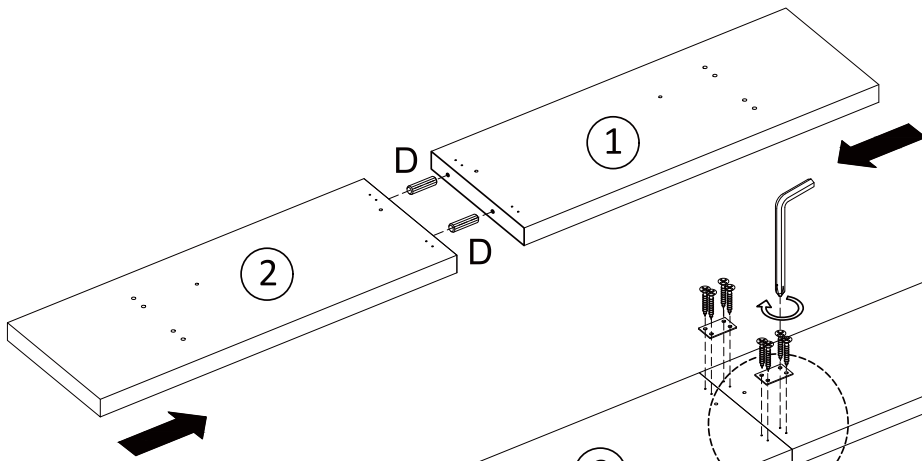
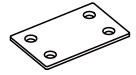
D x 2pcs



E x 8pcs

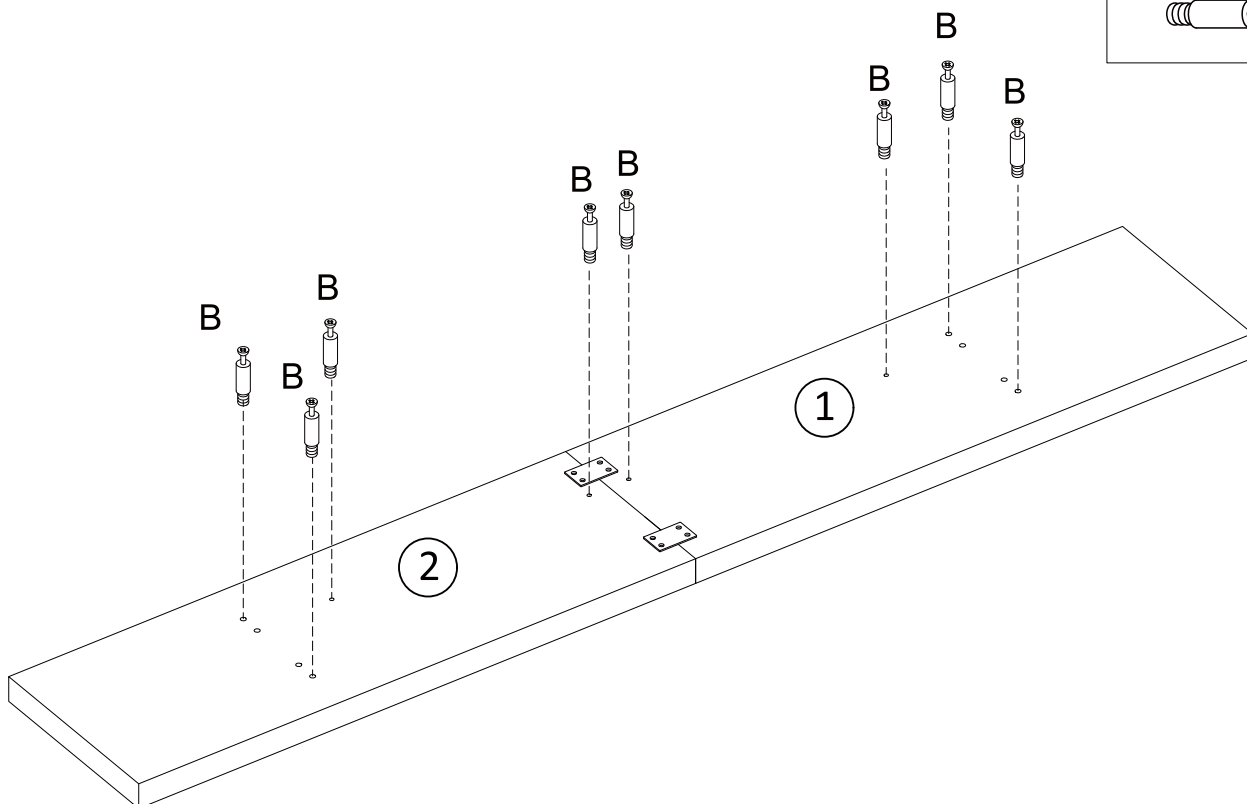
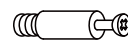


F x 2pcs



STEP#5

ⓑ x8pcs

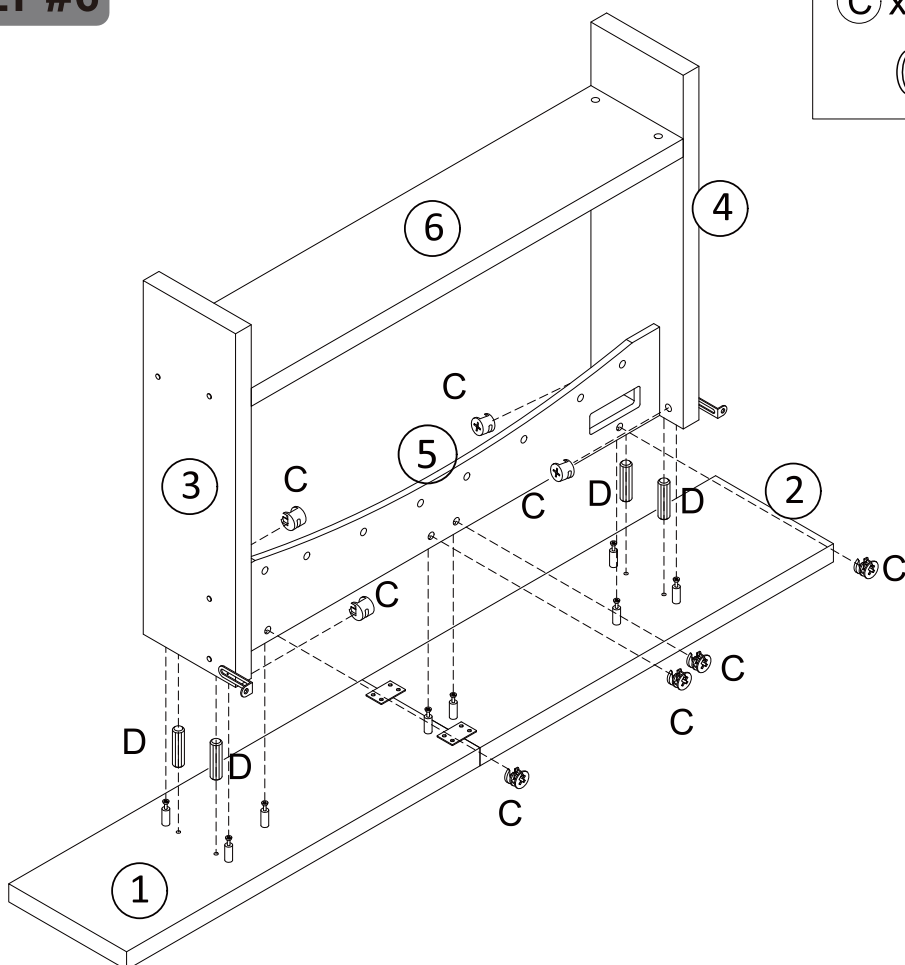


STEP#6

ⓒ x8pcs

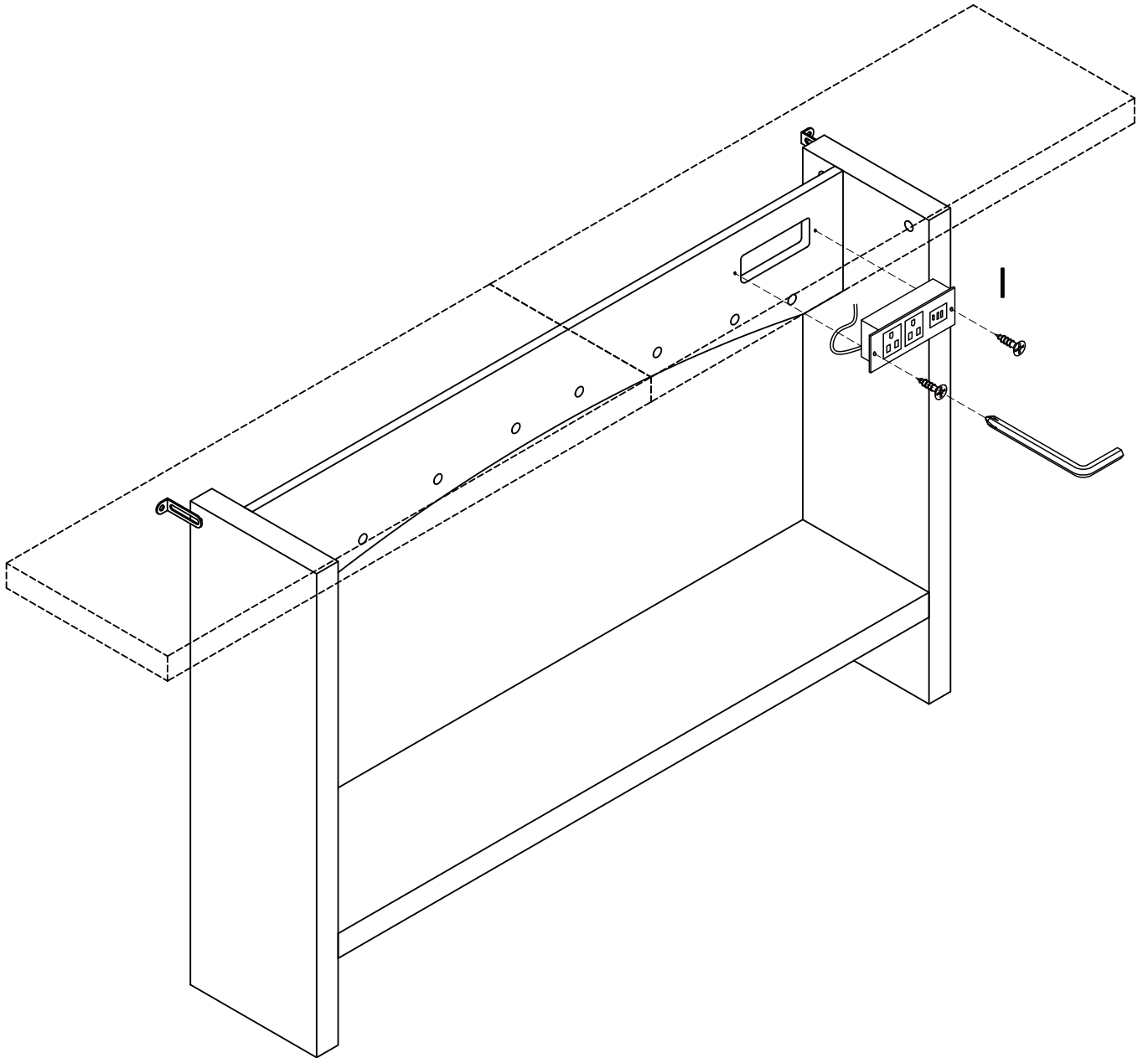
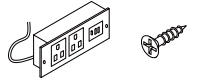


ⓓ x 4pcs



STEP#7

① x 1set

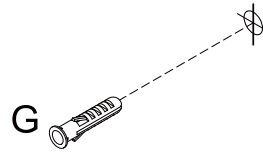
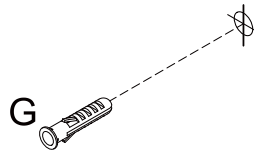
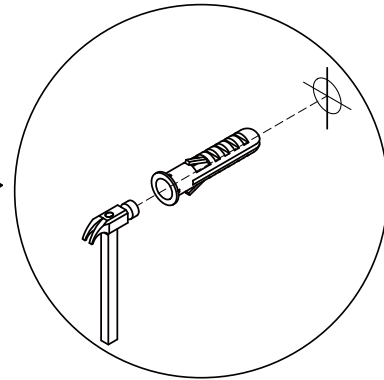
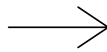
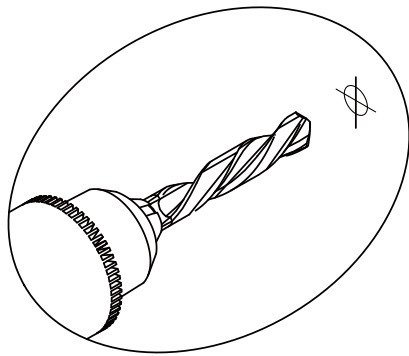


STEP#8

ⓐ x 2pcs

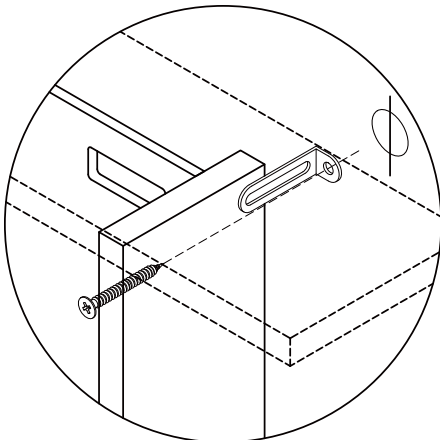
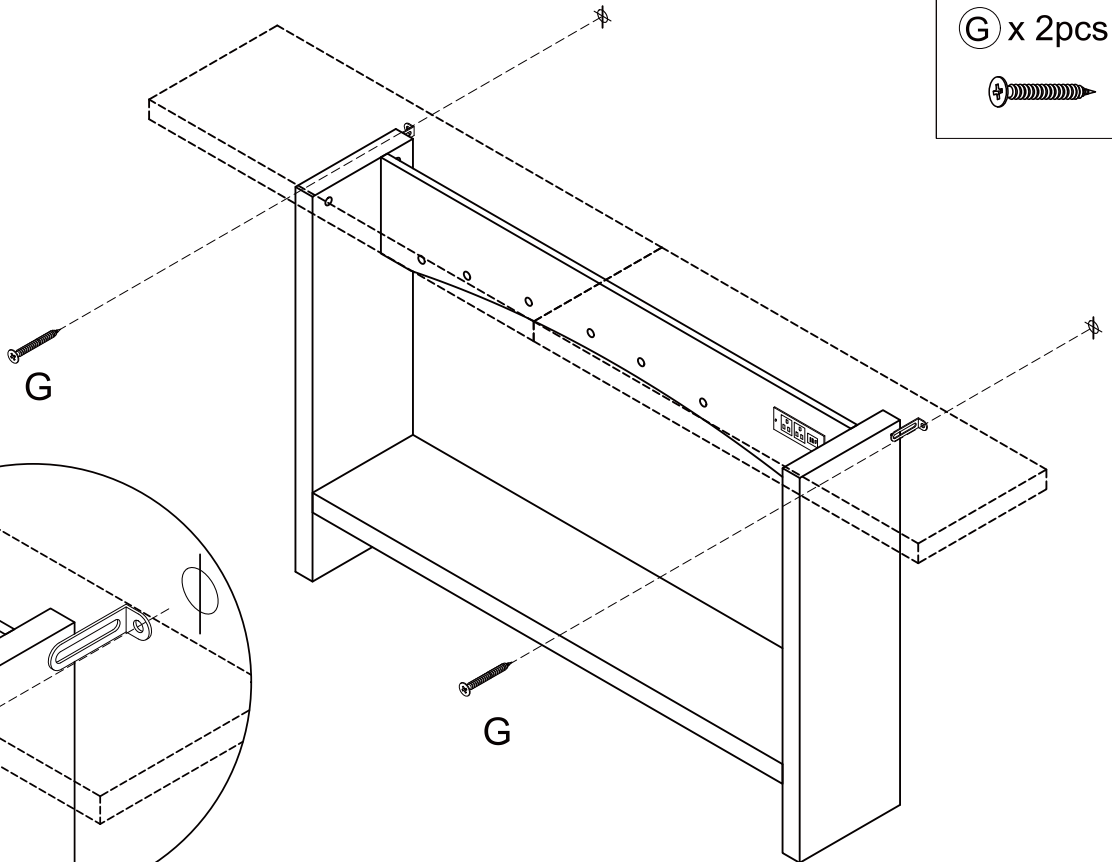


WALL



STEP#9

ⓐ x 2pcs



WARRANTY CARD

Your warranty includes

- **30 Days Money Back Guaranty**

Within the first 30 days of your purchase, you are allowed to return your product for a full refund.

- **30 Days to 3 Months(6 Months)**

We will replace the defective unit due to manufacturer fault with a new one. (You will receive extra 3 Months warranty if you register on our website.)

- **3 Months to 24 Months**

Within 24 Months, we will provide timely and effective online after-sales service after your purchase.

How to return your Orfeld Products

- Contact us with your order number.
- We will issue you RMA # and return address for your return.
- Please fill out RMA info, tear off this page and leave it inside your return package.
- We will issue replace / return after receiving your return.

Return product details

To get your returns processed as quickly as possible, please fill this form and include it in your return package.

Purchase Name	
Order Number	
Date of Purchase	
Your Email Address	
Where did you buy it	

MADE IN CHINA

