

NOTICE

*Please make sure that you have all parts indicated and they are in good condition before you begin assembly of this item. Refer to part list and hardware list below for guidance.

*This item should be assembled on a soft surface to prevent scratching the finish during assembly.

*This item may require periodic tightening.

PREPARATION

* Before beginning assembly of product, make sure all parts are present. Compare parts with part contents list and hardware contents list.

* If any part is missing or damaged, do not attempt to assemble the product.

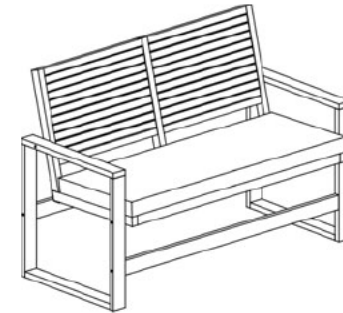
* Estimated Assembly Time: 10 minutes.

* **Tools Required for Assembly (included): Allen Key**

CARE AND MAINTENANCE

Store outdoor furniture indoors or cover well when not in use. Dust regularly with small brush or vacuum. Spills should be taken care of immediately before they harden or stain with a slightly damp sponge.

Product Dimensions: 46.1" W x 24.8" D x 33.5" H



Weight Capacity : 400 lbs

Warning : Do not stand on chair

Warning : Do not over torque bolts / screws

Part List and Hardware List

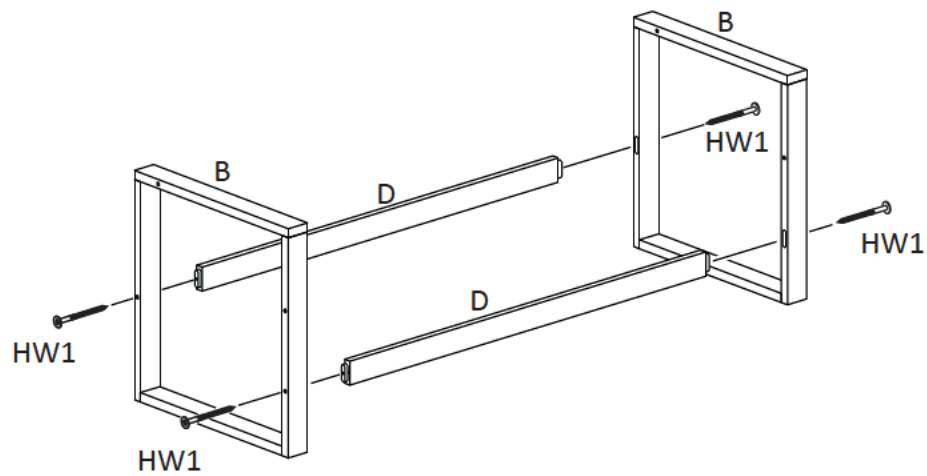
PIECE	DESCRIPTION	PICTURE	QUANTITY
A	Seat Frame		1X
B	Leg frame		2X
C	Back Frame		1X
D	Cross bar of leg		2X
CSH1	Seat cushion		1X
HW1	Screw: M7 x0.5 x90 mm		6X
HW2	Screw: M7 x0.5 x70 mm		1X
HW3	Screw: M4 x0.5 x20 mm		6X

PIECE	DESCRIPTION	PICTURE	QUANTITY
HW4	Allen Bolt: M8x0.5x75 mm		4X
HW5	Sleeve nut: M8 x0.5x15mm		4X
HW6	Reinforcement plate		3X
HW7	Allen key 4		2X
HW8	Allen key 5		1X
HW9	Screw driver	 Not Provided	1X

PREPARATION

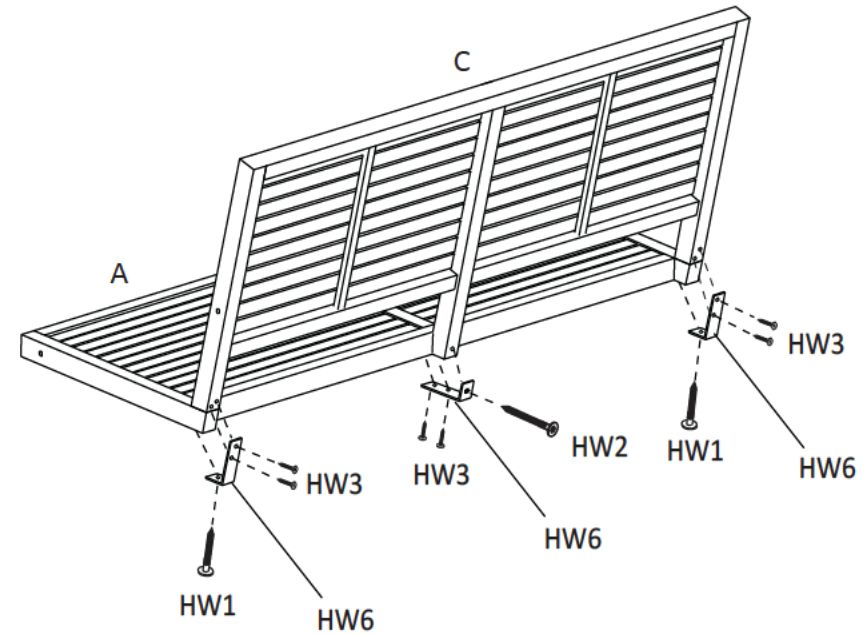
- *Before beginning assembly of product, make sure all parts are present. Compare parts with package contents list and hardware contents list.
- *If any part is missing or damaged, do not attempt to assemble the product.
- * Estimated Assembly Time : 10 minutes.
- * Tools Required for Assembly (included): Allen Key

1



Step 1
Attach leg frame (B) to bar (D), Screw (HW1), tighten with allen key (HW8)

2

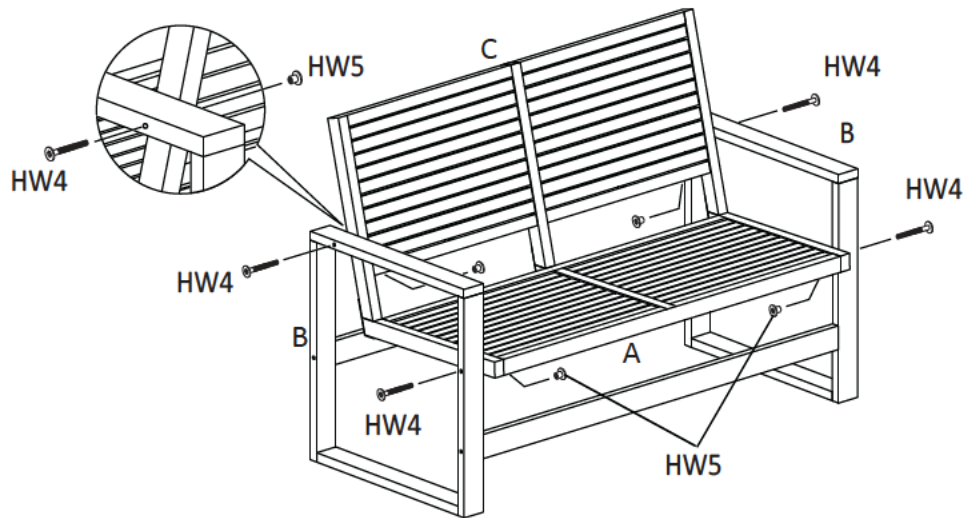


Step 2
Attach Seat (A) to Back (C), taken Screw (HW1) & (HW2) to Reinforcement plate (HW6) & Seat (A), using allen key (HW8) to tighten(HW1) & (HW2).
Using (HW3) attach (HW6) & (C),using (HW9) to tighten (HW3).

PREPARATION

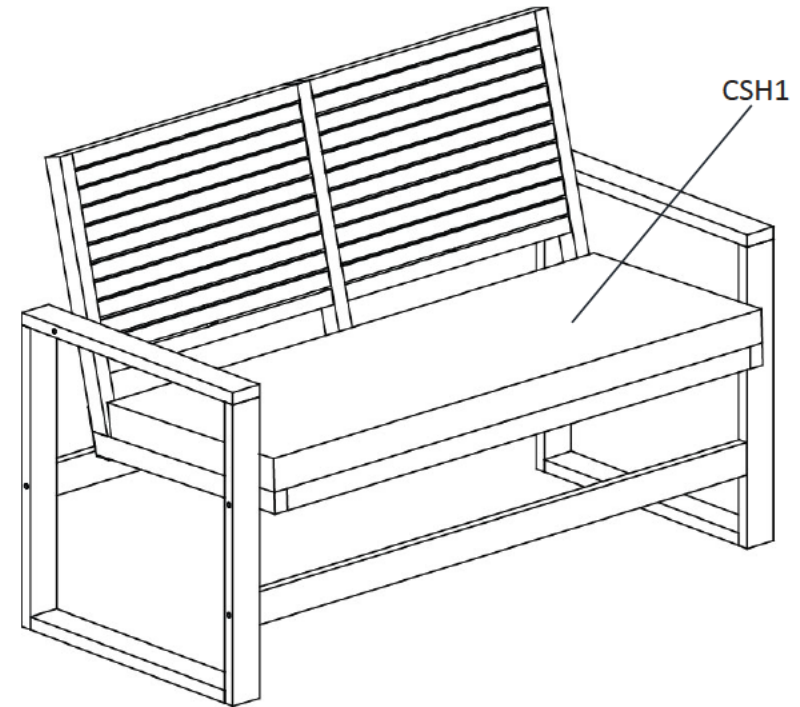
- *Before beginning assembly of product, make sure all parts are present. Compare parts with package contents list and hardware contents list.
- *If any part is missing or damaged, do not attempt to assemble the product.
- * Estimated Assembly Time : 10 minutes.
- * Tools Required for Assembly (included): Allen Key

3



Step 3
(C) & (A) attached to legs frame. Using bolt (HW4) and sleeve nut (HW5) tighten by (HW7).

4



Step 4
Put Seat Cushion (CSH1) on the Chair. The Chair is ready to be used