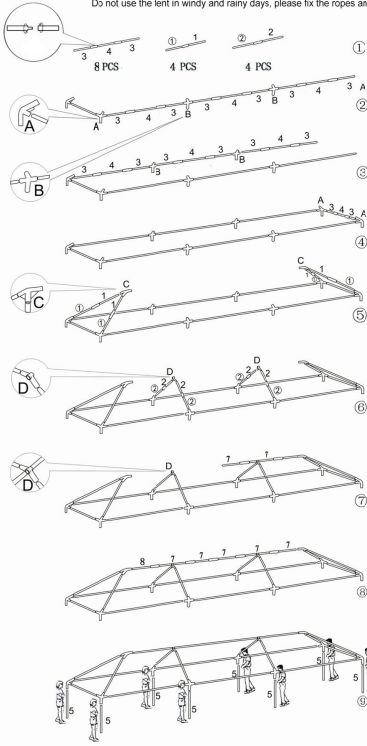


Simple Assembly Instructions

Do not use the tent in windy and rainy days, please fix the ropes and ground nails when using.



1		4 PCS		
①		4 PCS		
2		4 PCS		
②		4 PCS		
3		16 PCS		
4		8 PCS		
5		8 PCS		
6		8 PCS		
7		5 PCS		
8		1 PCS		
A		4 PCS		8 PCS
B		4 PCS		16 PCS
C		2 PCS		
D		2 PCS		
E		8 PCS		
		1 PCS		
		6 PCS		
		2 PCS		

