

# ASSEMBLY INSTRUCTIONS

## TOOLS REQUIRED:

Allen wrench ( Provided, part # E )  
Phillips Screwdriver ( not provided )

## BEFORE YOU START:

1. Check the parts against the parts list to make sure all items are present.
2. Assemble your furniture on a soft, flat surface to avoid scratching the finish.
3. **CAUTION:** Do not over tighten screws, nuts or bolts during assembly.
4. Your furniture may require occasional tightening.

## INSTRUCTIONS:

1. Turn the table upside down on a clean soft surface.
2. Attach the U shape legs to the table using bolts (A), lock washers (C) and flat washers (D), tighten with the Allen wrench (E) as shown Fig 1.
3. Attach the L shape Legs to the base using bolts (A), lock washers (C) and flat washers (D), tighten with the Allen wrench (E) as shown Fig 2.
4. Attach the L shape Legs to U shape legs with bolts (B) and tighten with the Allen wrench (E) as shown Fig 3.

No.	Hardware List		Q'ty
A		Bolt (Ø1/4"*1-1/4")	8pcs
B		Bolt (Ø1/4"*5/8")	2pcs
C		Lock Washer (Ø1/4")	8pcs
D		Flat Washer(Ø1/4"x19mm)	8pcs
E		Allen Wrench	1pc

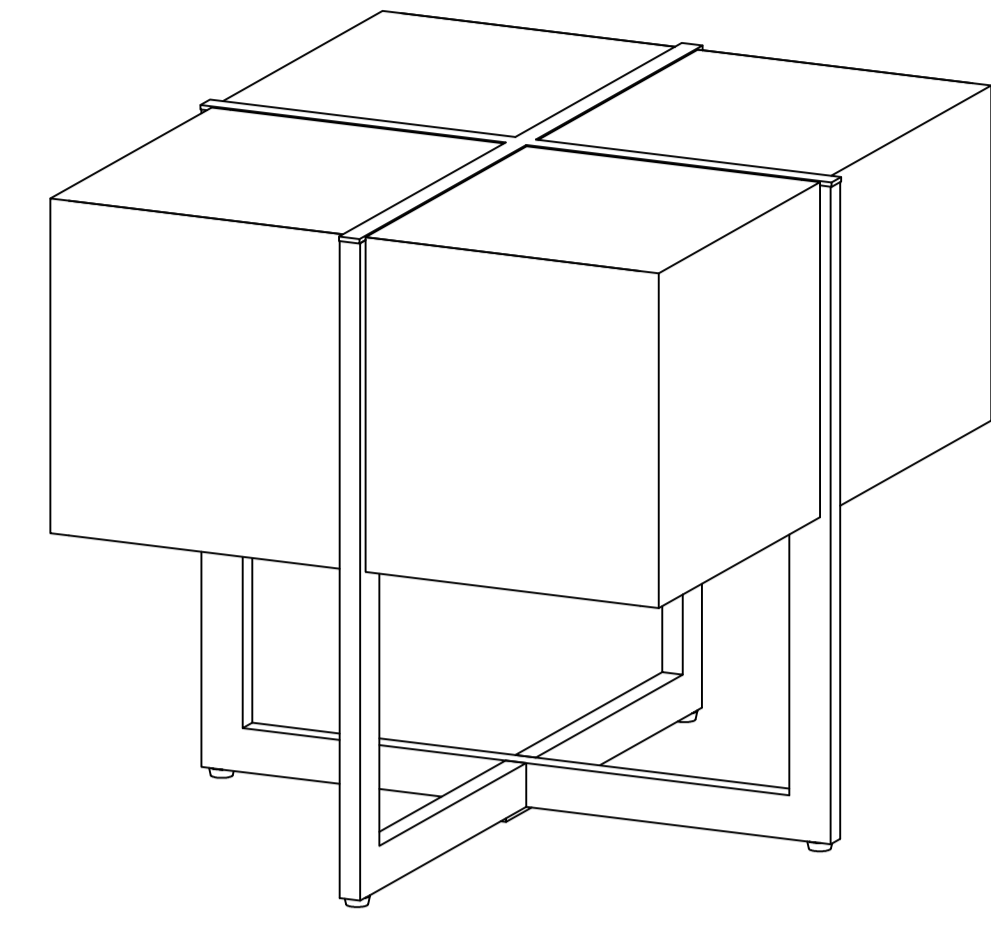


Fig 1

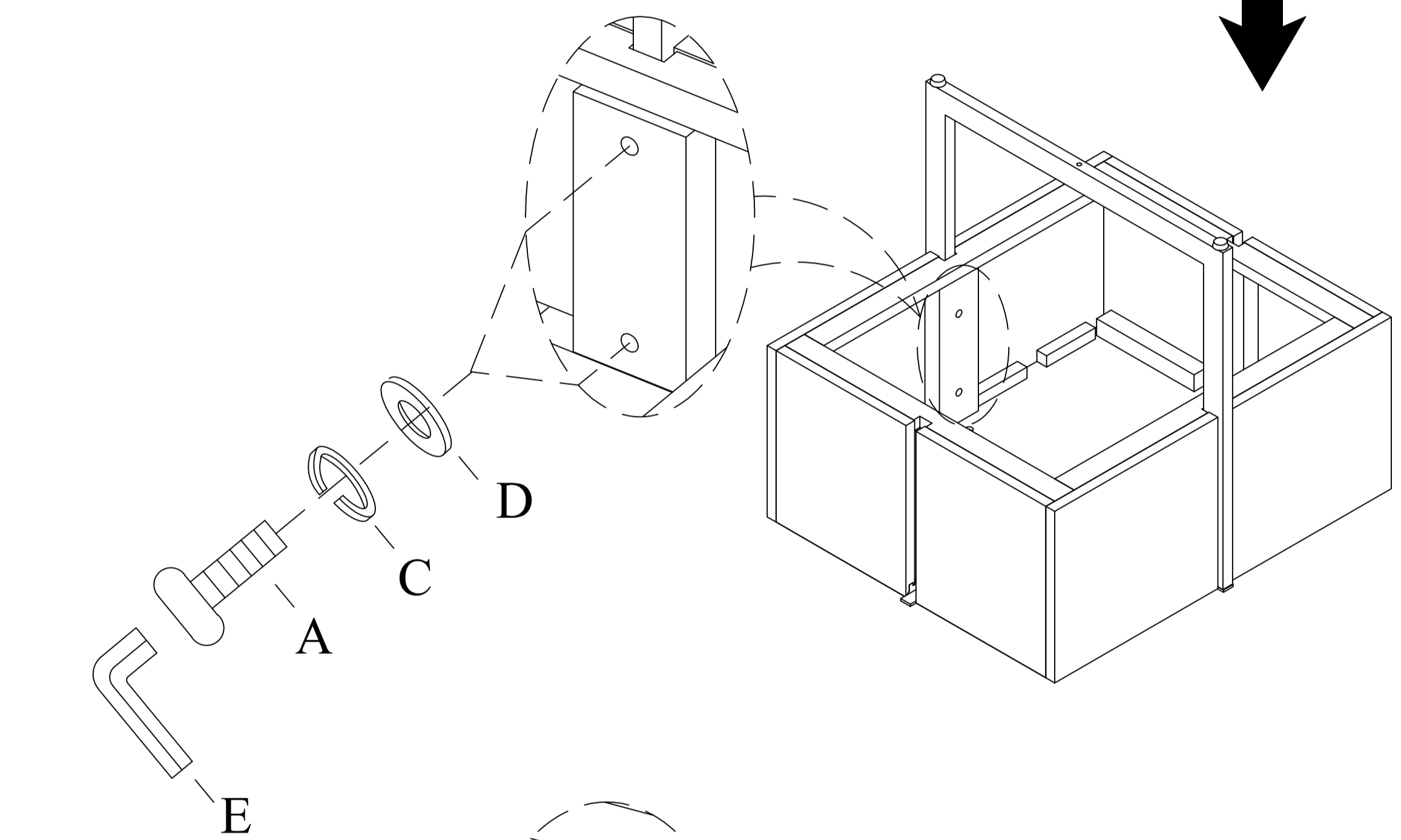
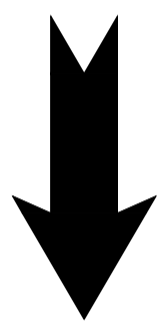
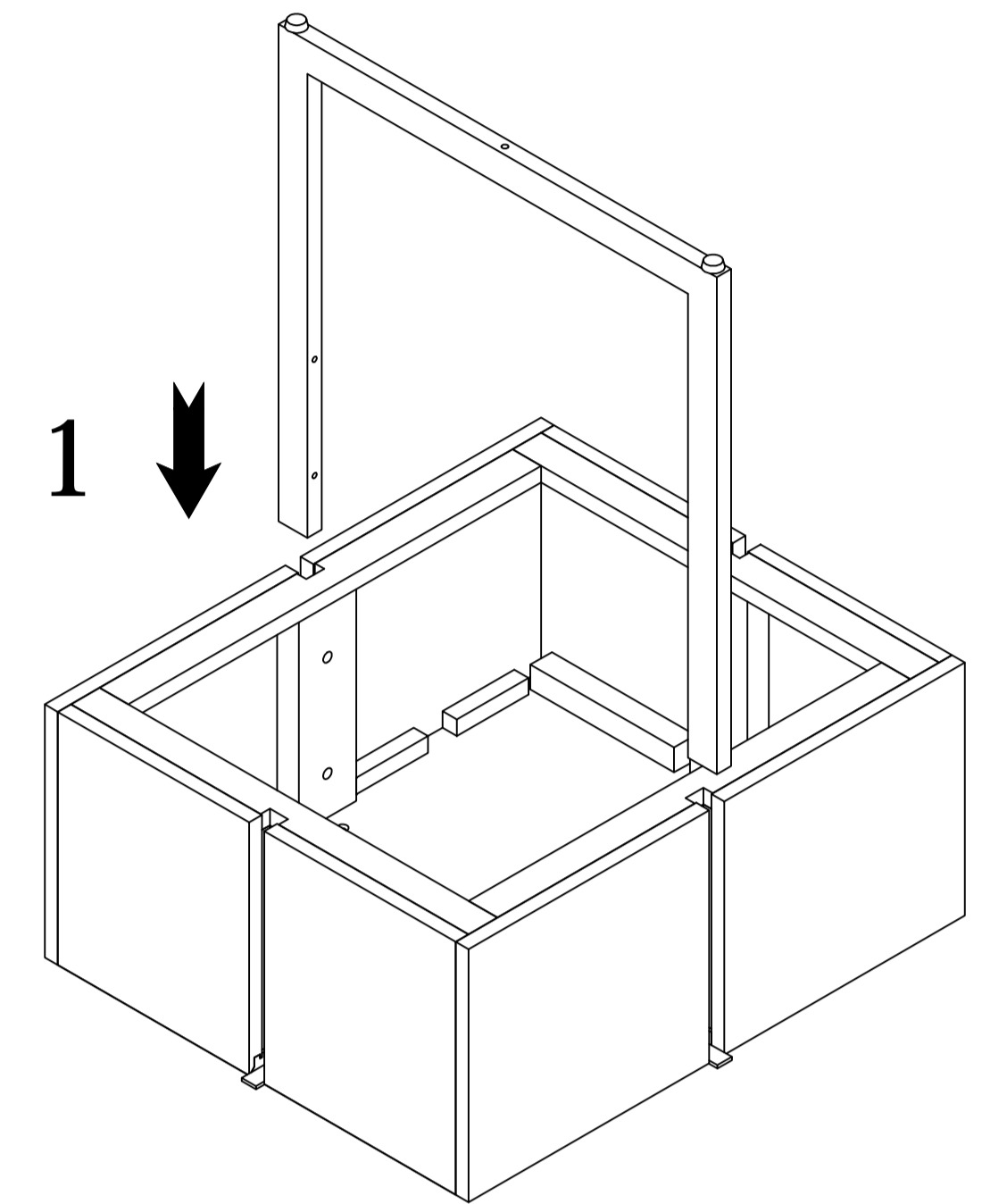


Fig 2

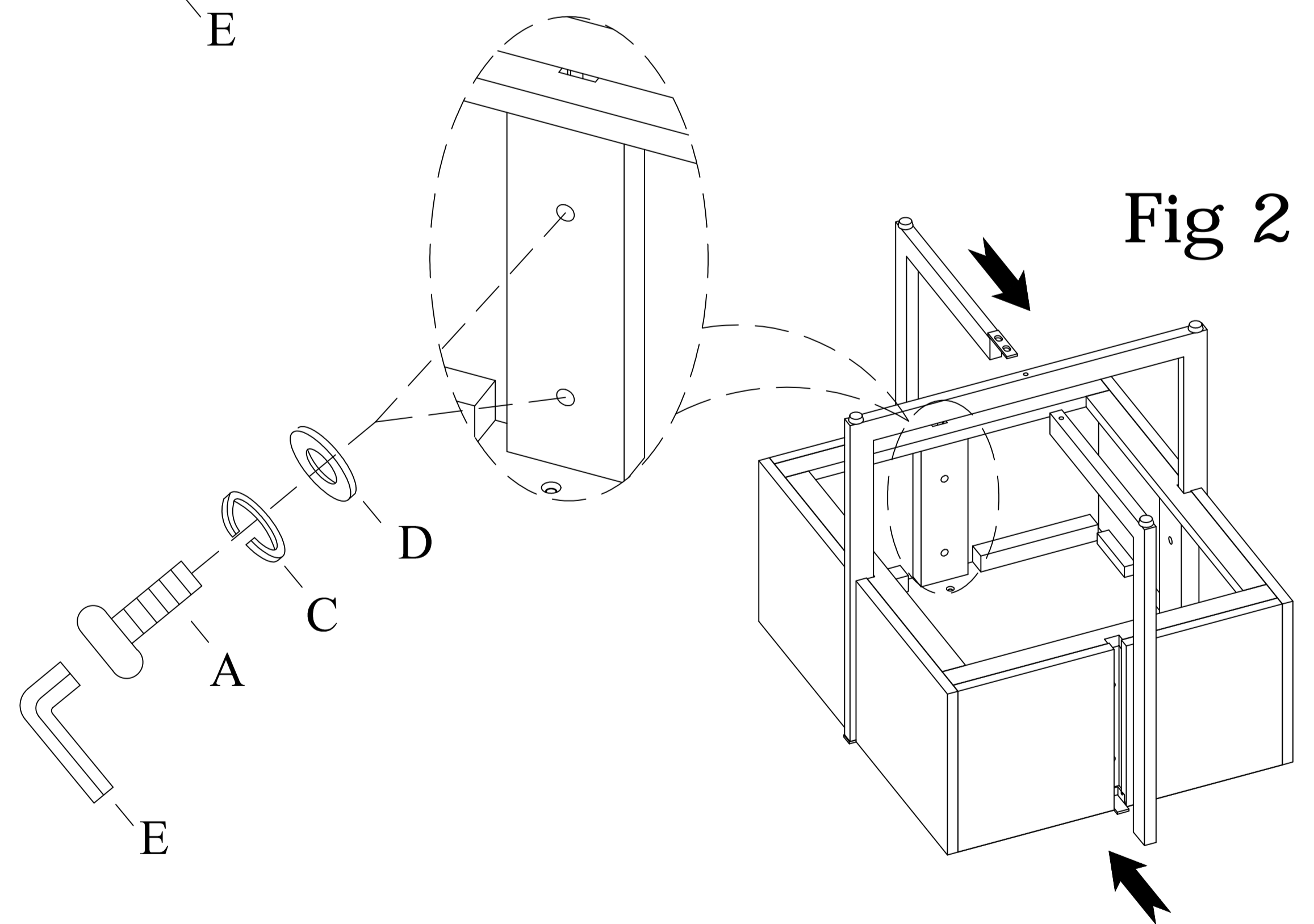


Fig 3

