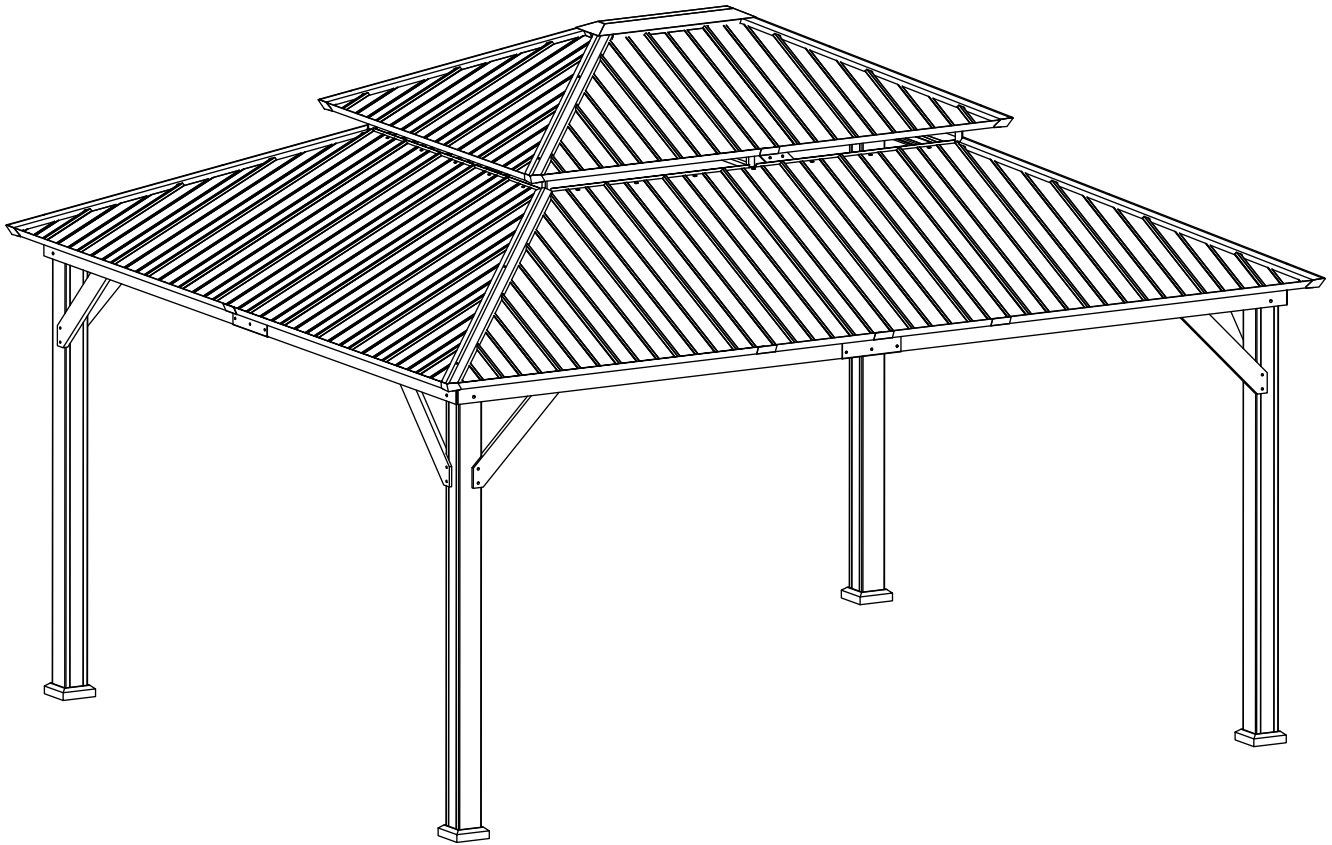


MODEL:IG10600013C-1315N2



OWNER'S MANUAL

Rosewood 13' x 15' Cedar Framed Hard Top Gazebo

TABLE OF CONTENTS

ASSEMBLY GUIDE.....	02
USING YOUR PRODUCT.....	05

November 13, 2025

QUESTIONS?



E-mail: support@modernshade.org



Toll Free Number: 1-888-666-3070

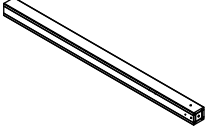


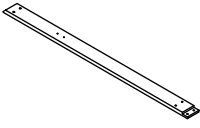
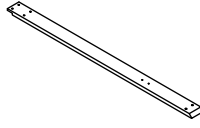
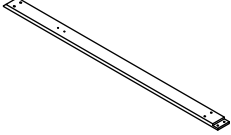
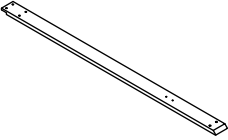
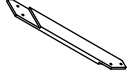
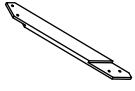

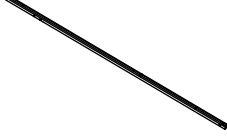
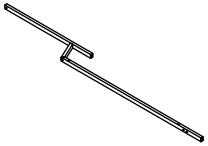
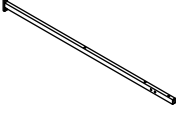
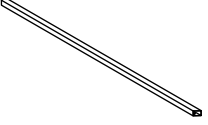
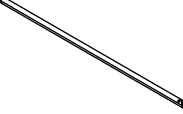
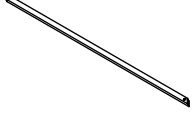
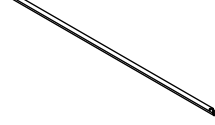
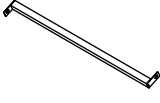
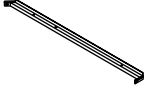

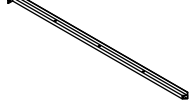
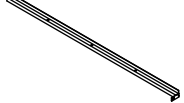

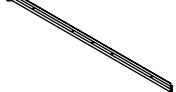
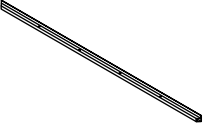
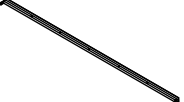
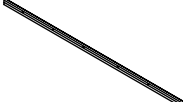
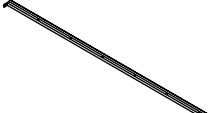
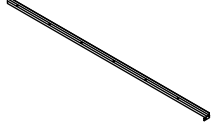
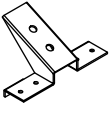
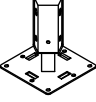
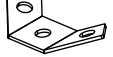
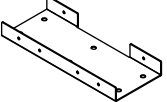
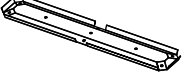
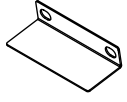
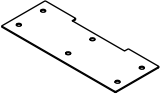


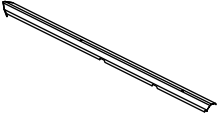
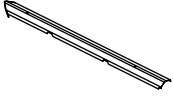


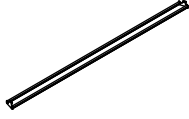


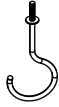
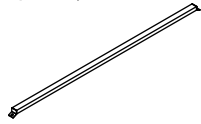
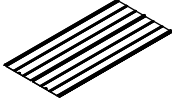

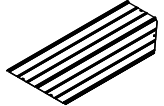

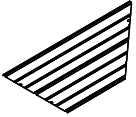


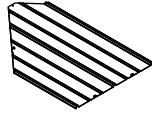
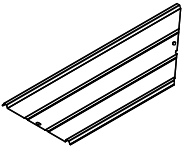
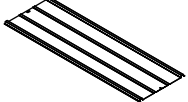
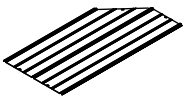
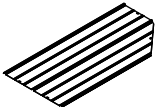



Mon-Fri: 9:00 AM - 5:00 PM PST.

CONTACT CUSTOMER SUPPORT BEFORE RETURNING PRODUCT TO RETAILER.

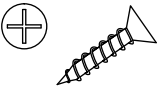
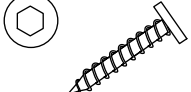
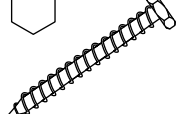

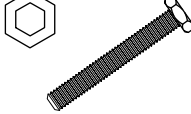
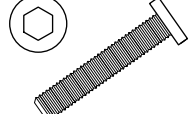
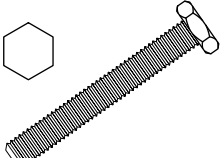
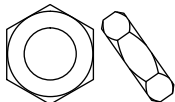





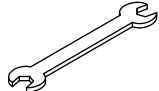
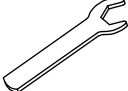


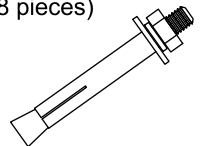

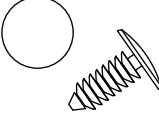
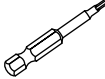
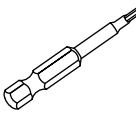
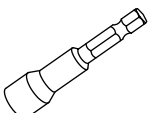
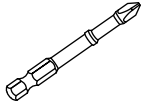
ASSEMBLY GUIDE

PARTS LIST

A1 Post 1 (4 pieces) 	B1 Foot Base 1 (4 pieces) 	C1 Foot Cover 1 (4 pieces) 	D5 Cross Beam 5 (2 pieces) 	D6 Cross Beam 6 (2 pieces) 	D7 Cross Beam 7 (2 pieces) 
P0010000701	P0030000301	P0020000301	P0040016301	P0040016401	P0040016501
D8 Cross Beam 8 (2 pieces) 	E1 Support Bracket 1 (4 pieces) 	E2 Support Bracket 2 (4 pieces) 	F1 Roof Rib 1 (4 pieces) 	F2 Roof Rib 2 (4 pieces) 	G1 Middle Cross Beam 1 (2 pieces) 
P0040016601	P0050000501	P0050000601	P0070000801	P0070000202	P0080000701
G2 Middle Cross Beam 2 (6 pieces) 	H1 Roof Support 1 (2 pieces) 	H2 Roof Support 2 (4 pieces) 	H3 Roof Support 3 (4 pieces) 	H4 Roof Support 4 (4 pieces) 	H5 Roof Support 5 (4 pieces) 
P0080000601	P0090002901	P0090003001	P0090002301	P0090002401	P0090002601
J1 Roof Border 1 (2 pieces) 	J2 Roof Border 2 (2 pieces) 	J3 Roof Border 3 (2 pieces) 	J4 Roof Border 4 (2 pieces) 	J5 Roof Border 5 (4 pieces) 	J9 Roof Border 9 (2 pieces) 
P0090003101	P0090003201	P0090003501	P0090003601	P0090004301	P0090003401
J10 Roof Border 10 (2 pieces) 	J11 Roof Border 11 (2 pieces) 	J12 Roof Border 12 (2 pieces) 	J13 Roof Border 13 (2 pieces) 	J14 Roof Border 14 (2 pieces) 	K1 Connector 1 (8 pieces) 
P0090003801	P0090003901	P0090004001	P0090004101	P0090004201	P0060001501
K2 Connector 2 (4 pieces) 	K4 Connector 4 (16 pieces) 	K5 Connector 5 (4 pieces) 	K6 Connector 6 (1 piece) 	K7 Connector 7 (10 pieces) 	K11 Connector 11 (4 pieces) 
P0060001701	P0060000602	P0110005301	P0060000702	P0110000502	P0110005401

<p>L1 Roof Rib Cover 1 (4 pieces)</p> 	<p>L2 Roof Rib Cover 2 (4 pieces)</p> 	<p>L4 Roof Cover 4 (1 piece)</p> 	<p>M1 Mosquito Net Rod 1 (2 pieces)</p> 	<p>M2 Mosquito Net Rod 2 (2 pieces)</p> 	<p>M5 Mosquito Net Rod 5 (2 pieces)</p> 
P0120000102	P0120001301	P0120001401	P0100001401	P0100001501	P0100001201
<p>M6 Mosquito Net Rod 6 (2 pieces)</p> 	<p>N Hook (1 piece)</p> 	<p>P1 Middle Cross Beam Support 1 (1 piece)</p> 	<p>Z1 Roof Plate 1 (6 pieces)</p> 	<p>Z2 Roof Plate 2 (4 pieces)</p> 	<p>Z3 Roof Plate 3 (4 pieces)</p> 
P0100001301	P1000000100	P0050000701	P0130000199	P0130000299	P0130000399
<p>Z4 Roof Plate 4 (4 pieces)</p> 	<p>Z5 Roof Plate 5 (4 pieces)</p> 	<p>Z6 Roof Plate 6 (4 pieces)</p> 	<p>Z7 Roof Plate 7 (4 pieces)</p> 	<p>Z8 Roof Plate 8 (2 pieces)</p> 	<p>Z9 Roof Plate 9 (2 pieces)</p> 
P0130000499	P0130000599	P0130000699	P0130000799	P0130009099	P0130009199
<p>Z10 Roof Plate 10 (2 pieces)</p> 	<p>Z11 Roof Plate 11 (2 pieces)</p> 	<p>Z12 Roof Plate 12 (2 pieces)</p> 	<p>Z13 Roof Plate 13 (4 pieces)</p> 	<p>Z14 Roof Plate 14 (4 pieces)</p> 	<p>Z20 Roof Plate 20 (4 pieces)</p> 
P0130009299	P0130009399	P0130009499	P0130001399	P0130001499	P0130002099

HARDWARE PACK

AA Bolt M5*25 (104+5 pieces) 	BB Bolt M8*35 (32+2 pieces) 	CC Bolt M10*65 (8+1 pieces) 	DD Bolt M6*20 (208+10 pieces) 	EE Bolt M6*45 (18+2 pieces) 	FF Bolt M8*45 (24+2 pieces) 
H0008008098	H0008008099	H0008008100	H0008008036	H0008008016	H0008008191
GG Bolt M10*160 (8+1 pieces) 	HH Anti-slip Screw Nut M10 (8+1 pieces) 	JJ M8 Ball nut (24+2 pieces) 	KK M6 Flat washer (310+16 pieces) 	LL M8 Flat washer (80+2 pieces) 	MM M10 Flat washer (24+2 pieces) 
H0008008140	H0008008126	H0008008192	H0008008057	H0008008058	H0008008141
NN M6 Sealant Washer (16+2 pieces) 	PP Double Open End Wrench M8/M10 (2 pieces) 	QQ Wrench M6 (2 pieces) 	RR M6 Allen Key (2 pieces) 	SS M8 Allen Key (2 pieces) 	TT Concrete Anchor M6*60 (8 pieces) 
H0008008060	H0008008190	H0008008011	H0008008133	H0008008129	H0008008095
UU Bolt M6*15 (84+4 pieces) 	VV Plastic Clip (24+5 pieces) 	XX M6 Hex drill bit (1 piece) 	YY M8 Hex drill bit (1 piece) 	ZZ M10 Hex socket drill bit (1 piece) 	ZY Phillips drill bit (1 piece) 
H0008008001	H0008008071	H0008008209	H0008008210	H0008008208	H0008008215

IMPORTANT:

This instruction manual contains important information necessary for the proper assembly and safe use of the product.

Read and follow all warnings and instructions before assembling and using the product.

Follow all warnings and instructions when using the product.

Keep this manual for future reference.

Installer/Assembler: leave these instructions with the consumer.

SAFETY ALERT KEY

DANGER

Indicates a hazardous situation that, if not avoided, will result in death or serious injury.

WARNING

Indicates a hazardous situation that, if not avoided, could result in death or serious injury.

CAUTION

Indicates a hazardous situation that, if not avoided, could result in minor or moderate injury.

NOTICE

Indicates information considered important, but not hazard-related (e.g. messages related to property damage).

ASSEMBLY INSTRUCTIONS

•Please carefully unpack each of the components and hardware. check the components against the parts list and make sure there are no missing parts. lay pieces on cardboard or a soft mat to help protect the pieces from scratches.

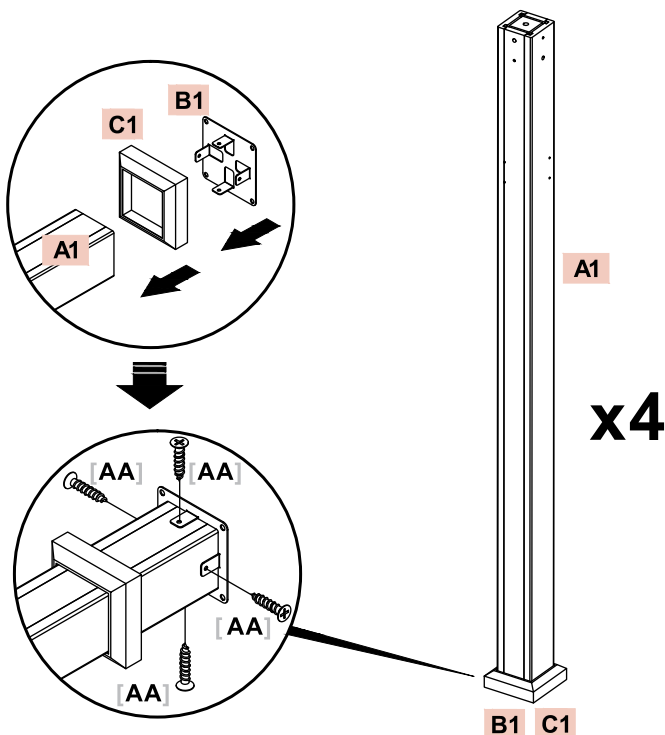
⚠ CAUTION

Watch for sharp edges when handling the pieces, wear gloves to avoid injury.

STEP 01

Slide foot base **B1** and foot cover **C1** onto post **A1**. Use four (4) **[AA]** bolts to attach foot base **B1** to post **A1**. Repeat with the other three (3) posts **A1**.

[AA] x16



- For ease of assembly, it is recommended to have 3 or more people and allow enough time to completely finish the assembly. assembly can take 6-8 hours. a step-ladder is required for assembly (not included).
- Follow step by step instructions, and follow all safety warnings provided with your tools.
- DO NOT tighten screws until all the screws and washers are properly installed. Tighten screws securely, do not over tighten.
- Gazebo should not be used in inclement weather and high winds.

STEP 02

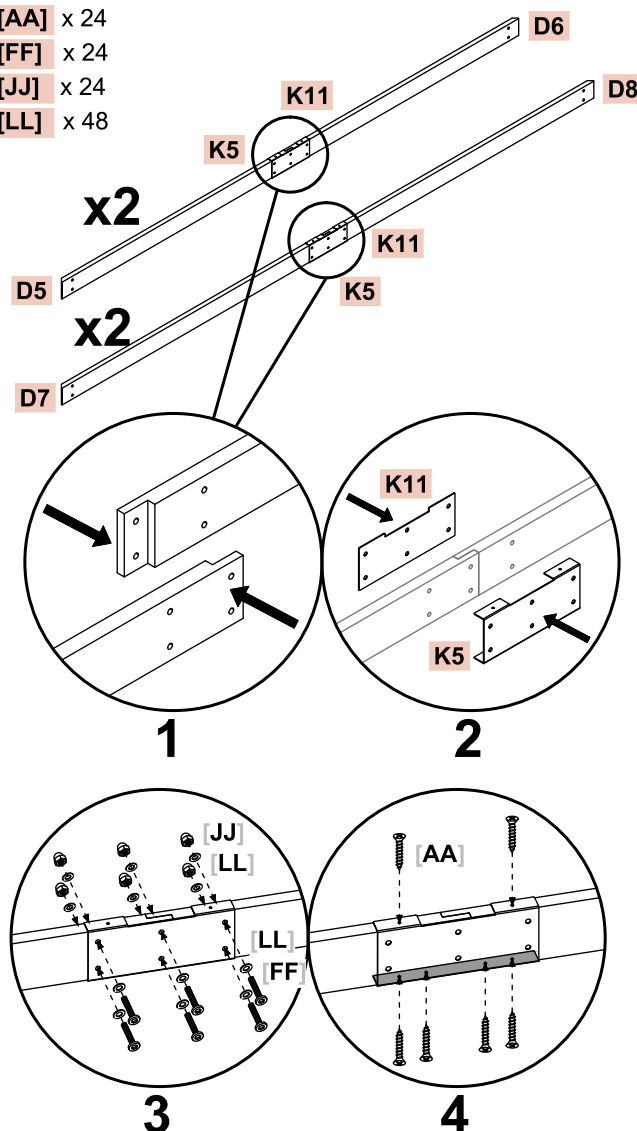
Align cross beam **D5** with **D6** and **D7** with **D8** respectively. Attach connectors **K11** on the inner sides and **K5** on the outer sides of each connection. Use six (6) **[FF]** bolts, Twelve (12) **[LL]** flat washers and six (6) **[JJ]** screw nuts to secure two sides of **K5** and **K11**. Use six (6) **[AA]** bolts to secure the top and bottom of **K5** and **K11**. Repeat to make a second assembly.

[AA] x 24

[FF] x 24

[JJ] x 24

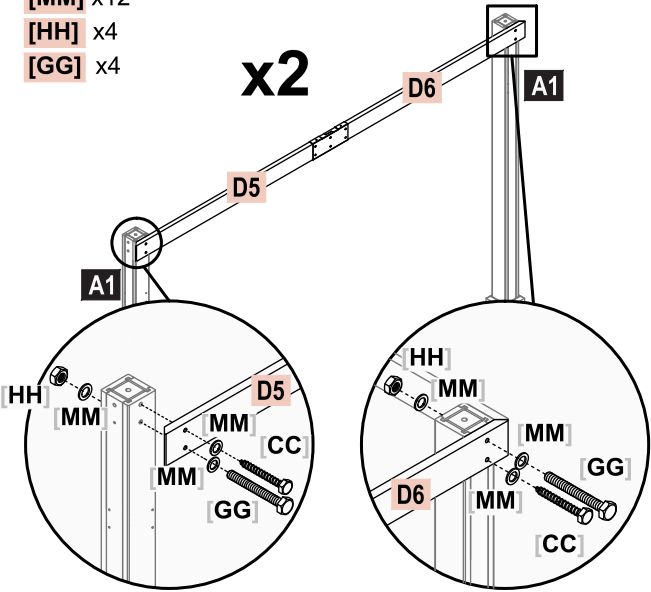
[LL] x 48



STEP 03

Attach the cross beam assembly **D5 D6** to left **A1** post using one (1) **[CC]** bolt and **[MM]** washer in the top hole, and one (1) **[GG]** bolt, two (2) **[MM]** washers, and one (1) **[HH]** nut in the bottom hole. Attach the cross beam assembly to right **A1** post using one (1) **[GG]** bolt, two (2) **[MM]** washers, and one (1) **[HH]** nut in the top hole, and one (1) **[CC]** bolt and **[MM]** washer in the bottom hole. Repeat to make a second assembly.

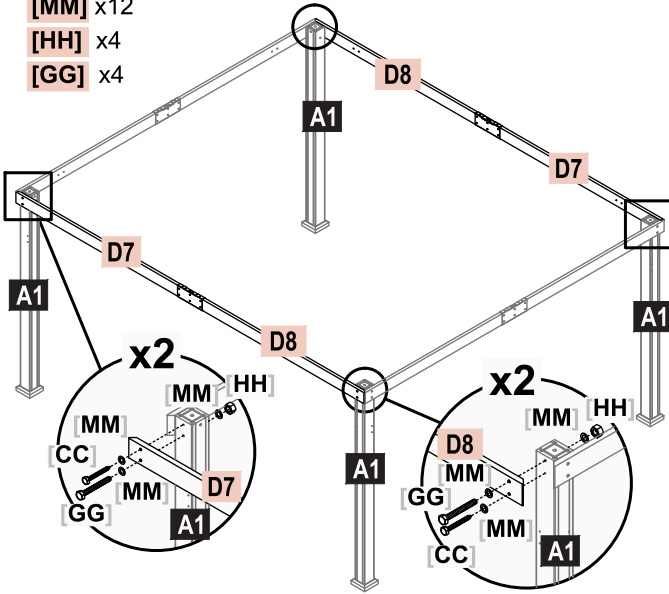
- [CC]** x4
- [MM]** x12
- [HH]** x4
- [GG]** x4



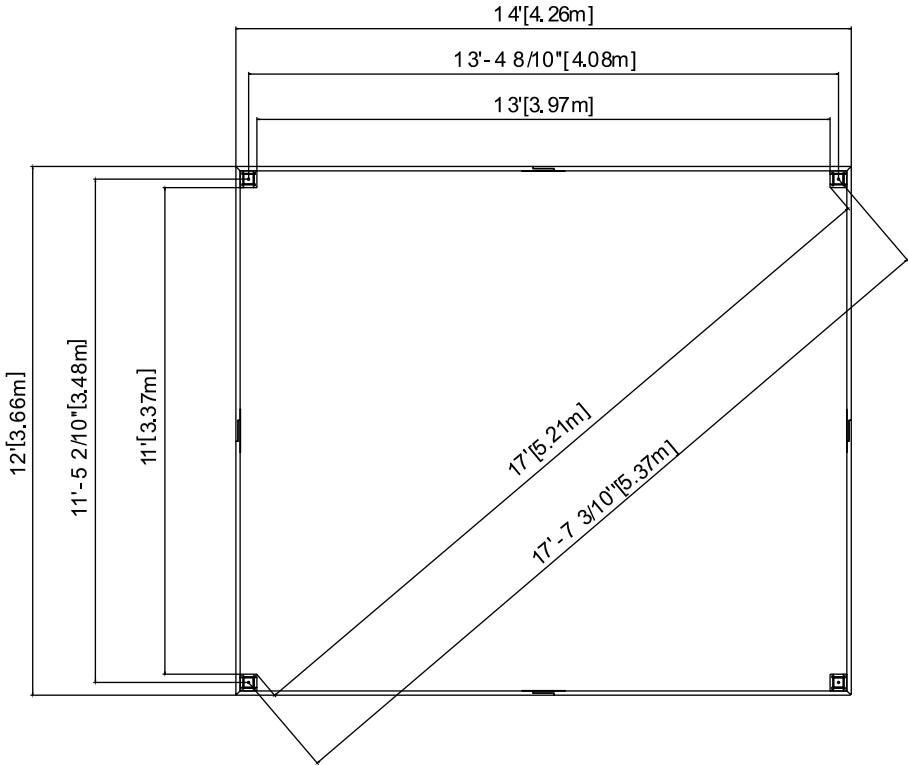
STEP 04

Attach the cross beam assembly **D7 D8** to left **A1** post using one (1) **[CC]** bolt and **[MM]** washer in the top hole, and one (1) **[GG]** bolt, two (2) **[MM]** washers, and one (1) **[HH]** nut in the bottom hole. Attach the cross beam assembly to right **A1** post using one (1) **[GG]** bolt, two (2) **[MM]** washers, and one (1) **[HH]** nut in the top hole, and one (1) **[CC]** bolt and **[MM]** washer in the bottom hole. Repeat to make a second assembly.

- [CC]** x4
- [MM]** x12
- [HH]** x4
- [GG]** x4



STEP 05 CRITICAL: SQUARE UNIT BEFORE PROCEEDING TO NEXT STEPS. ONCE SQUARE, TIGHTEN ALL HARDWARE.



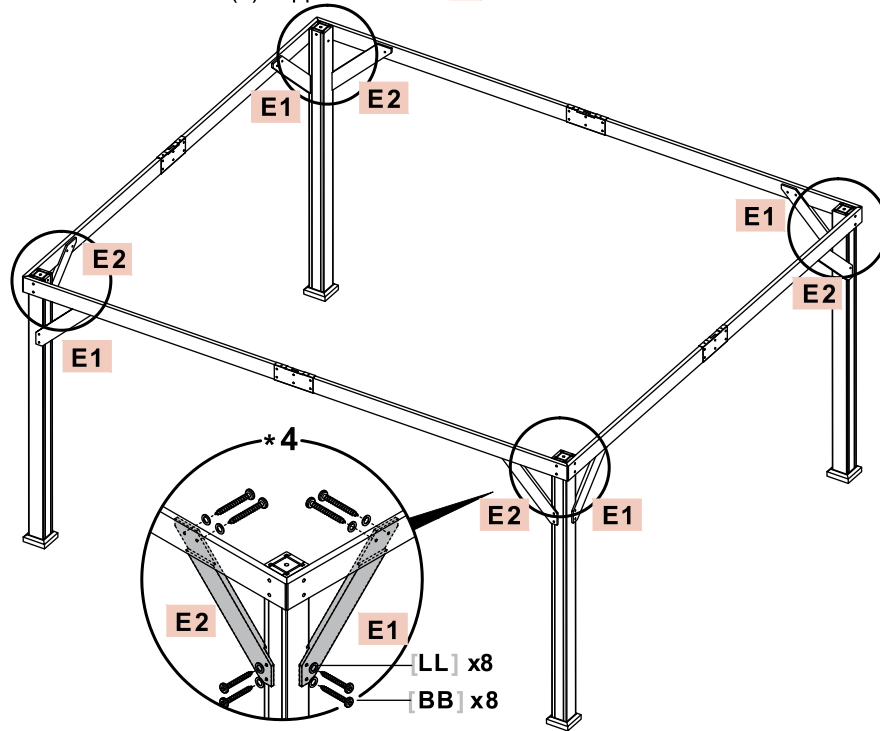
STEP 6

Use four (4) [BB] bolts and four (4) [LL] flat washers to attach one (1) support bracket **E1** to cross beam and post on left corner of each side. Repeat with the other three (3) support brackets **E1**.

Use four (4) [BB] bolts and four (4) [LL] flat washers to attach one (1) support bracket **E2** to cross beam and post on right corner of each side. Repeat with the other three (3) support brackets **E2**.

[BB] x32

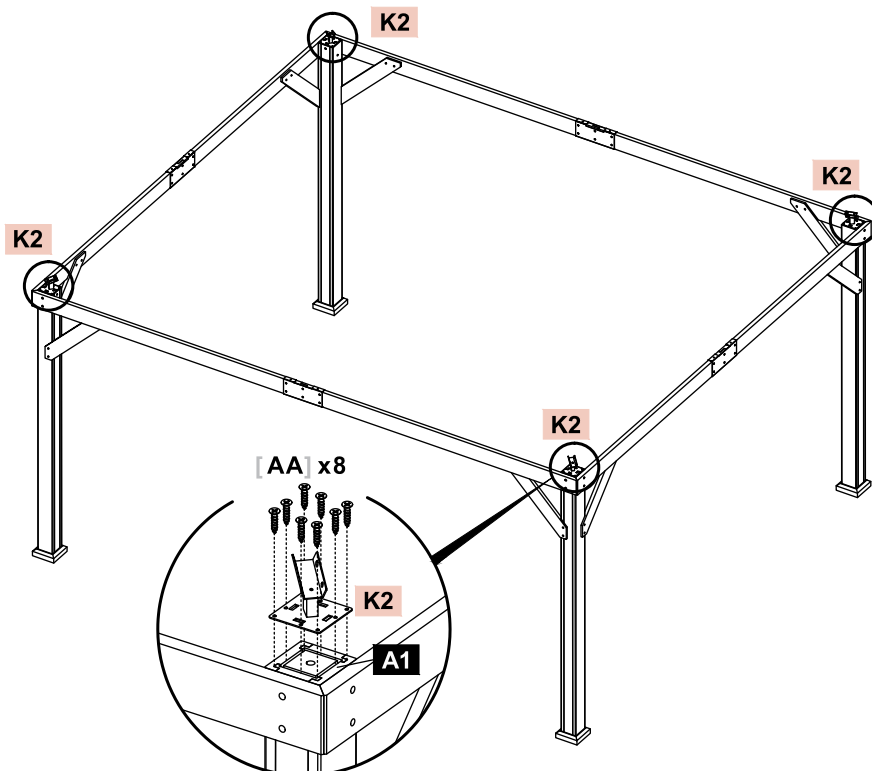
[LL] x32



STEP 7

Use eight (8) [AA] bolts to attach one (1) connector **K2** to each post. Repeat with the other three (3) connector **K2**.

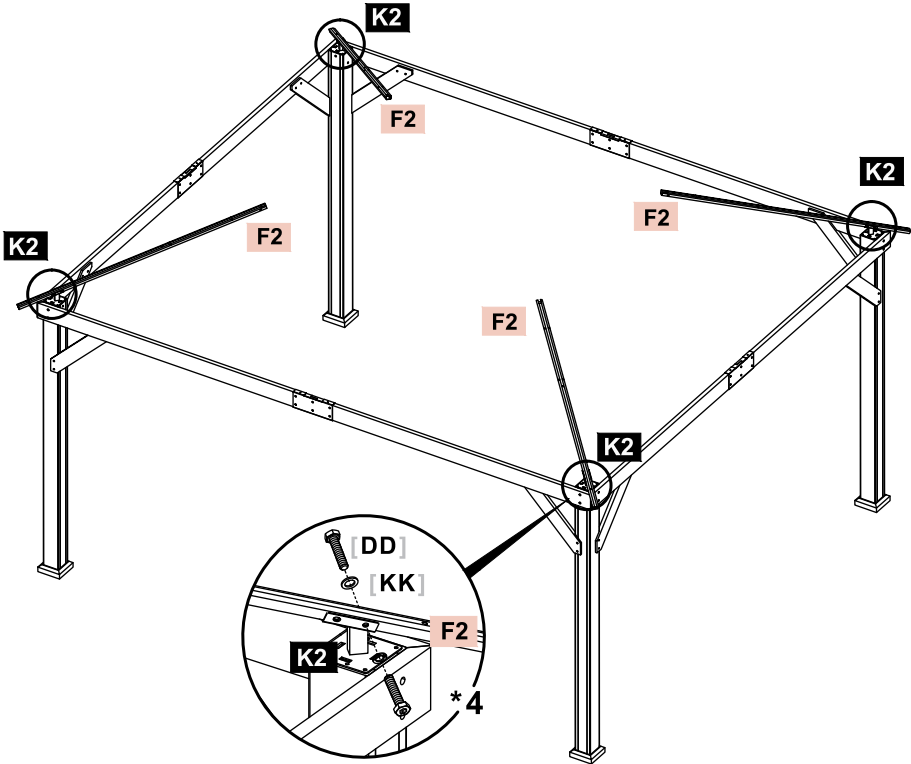
[AA] x32



STEP 8

Use two (2) [DD] bolts and two (2) [KK] flat washers to attach one (1) roof rib **F2** to connector **K2**. Repeat with the other three (3) roof ribs **F2**.

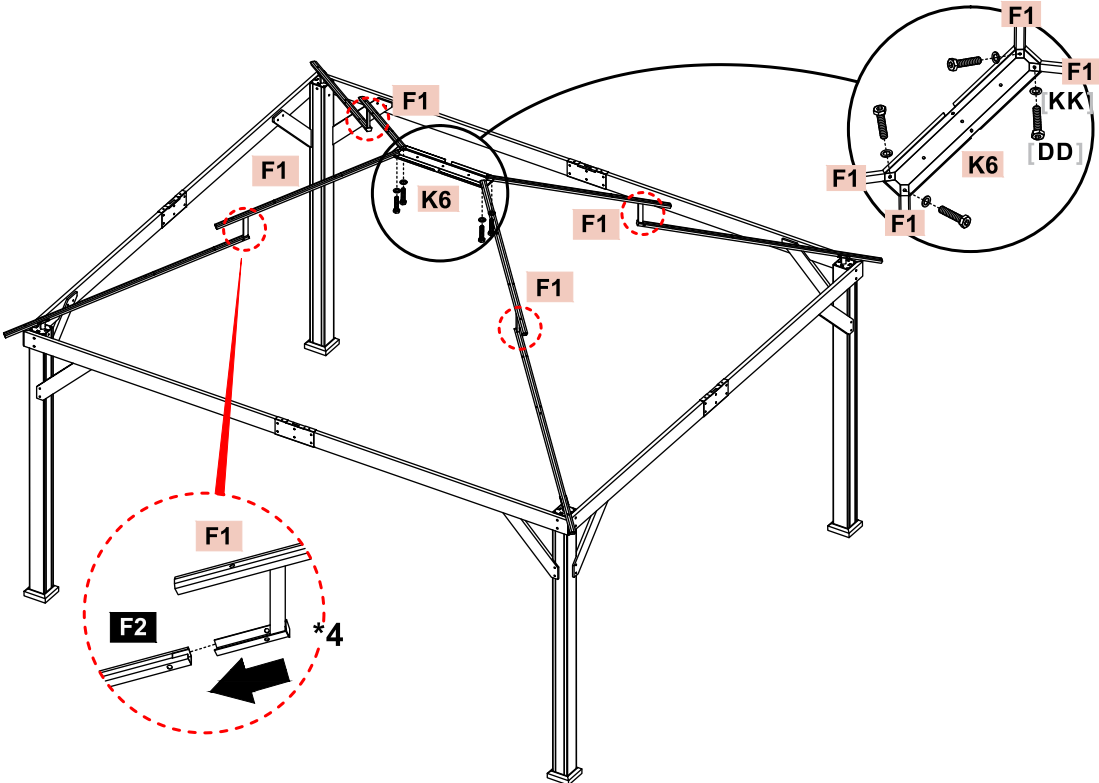
- [KK] x8
- [DD] x8



STEP 9

Slide roof rib **F1** into **F2**. Use four (4) [DD] bolts and four (4) [KK] flat washers to attach connector **K6** to roof ribs **F1**.

- [KK] x4
- [DD] x4



STEP 10

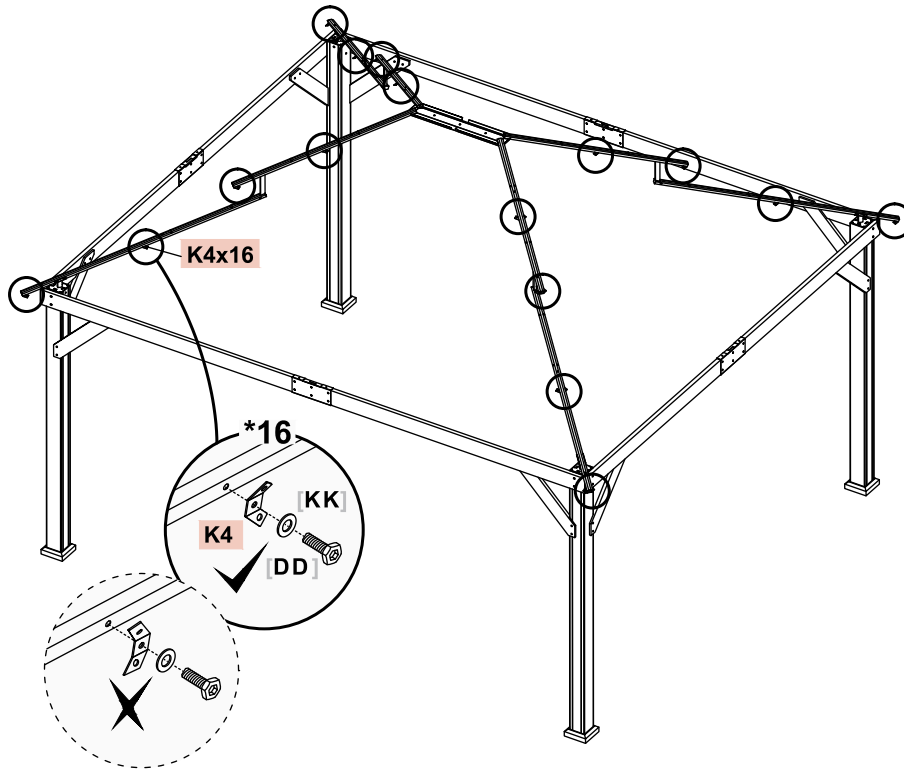
Use one (1) [DD] bolt and one (1) [KK] flat washer to attach one (1) K4 connector to the roof ribs F1 and F2. Repeat this process for all sixteen (16) connectors.

✓ Make sure the K4 connectors are oriented correctly as shown.

✗ Do not install them backwards or in the wrong direction.

[KK] x16

[DD] x16

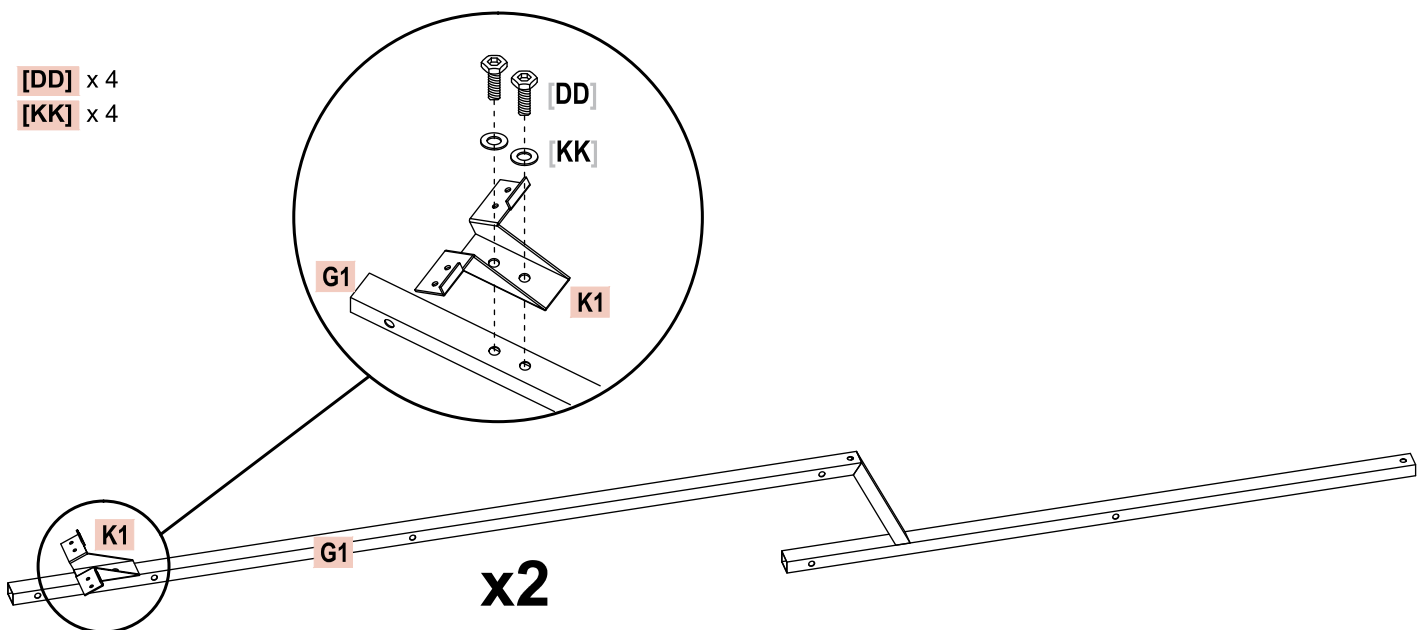


STEP 11

Use two (2) [DD] bolts and two (2) [KK] flat washers to attach one (1) connector K1 to the end of middle cross beam G1. Repeat to make a second assembly.

[DD] x 4

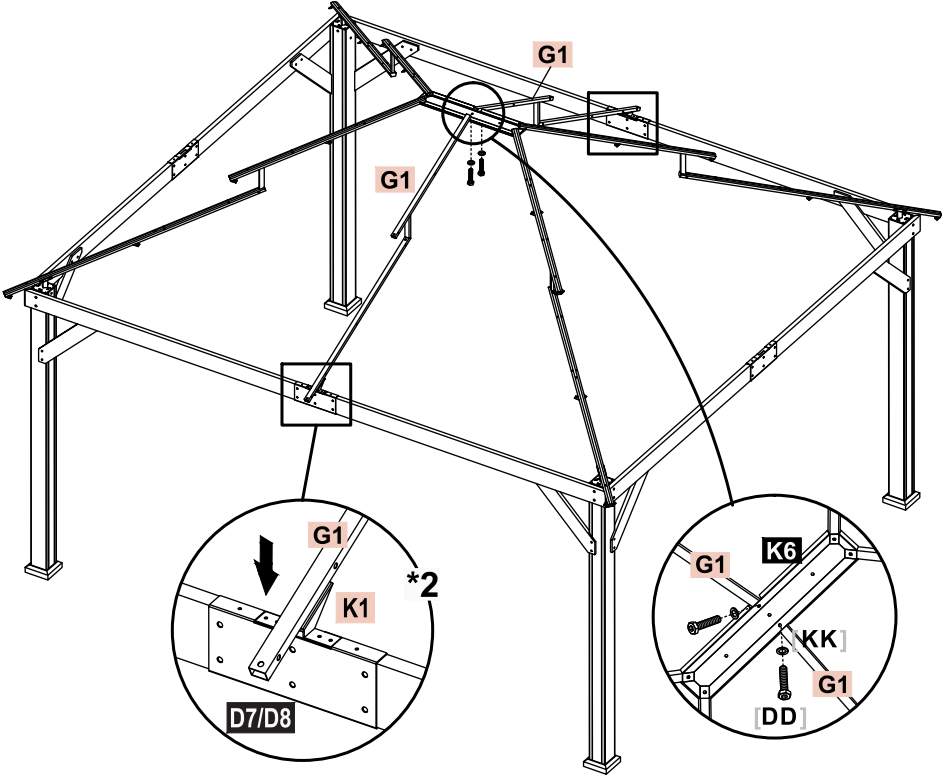
[KK] x 4



STEP 12

Attach connector **K1** on middle cross beam **G1** to cross beams. Use one (1) **[DD]** bolt and one (1) **[KK]** flat washer to attach the other end of **G1** to connector **K6** on the top. Repeat with the other middle cross beam **G1**.

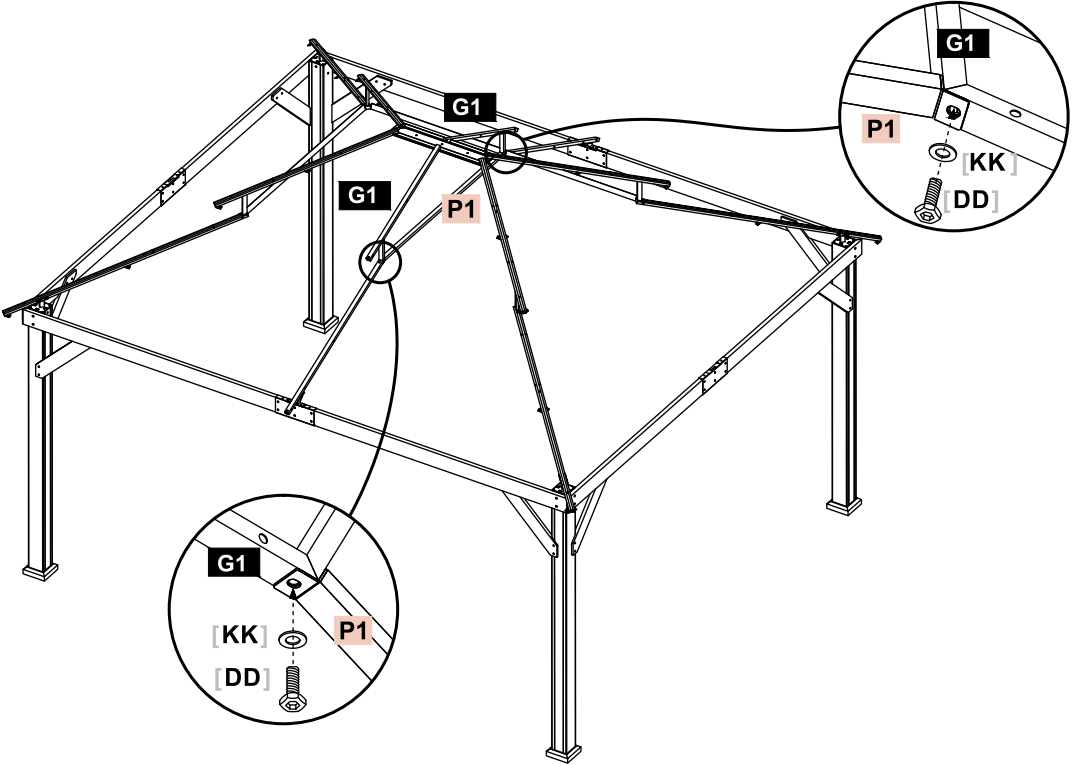
- [KK]** x2
- [DD]** x2



STEP 13

Use two (2) **[DD]** bolts and two (2) **[KK]** flat washer to attach one (1) middle cross beam supports **P1** to middle cross beam **G1**.

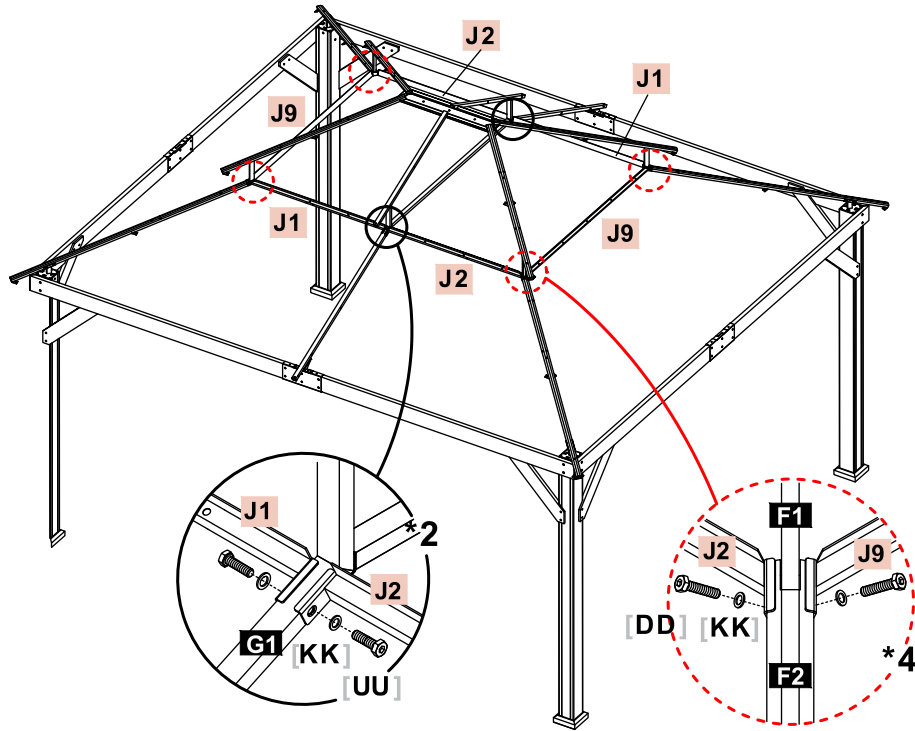
- [KK]** x2
- [DD]** x2



STEP 14

Use one (1) [UU] bolt, one (1) [DD] bolt and two (2) [KK] flat washers to attach one (1) roof upper border J1 to middle cross beam G1 and roof rib F1 F2. Repeat with the other J1, two (2) J2 and two (2) J9.

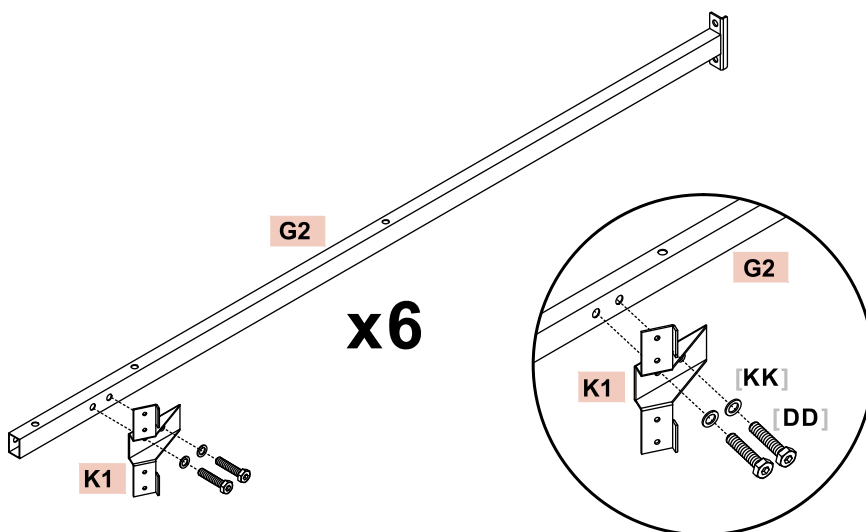
- [KK] x12
- [DD] x8
- [UU] x4



STEP 15

Use two (2) [DD] bolts and two (2) [KK] flat washers to attach one (1) connector K1 to the end of middle cross beam G2. Repeat to make a second assembly.

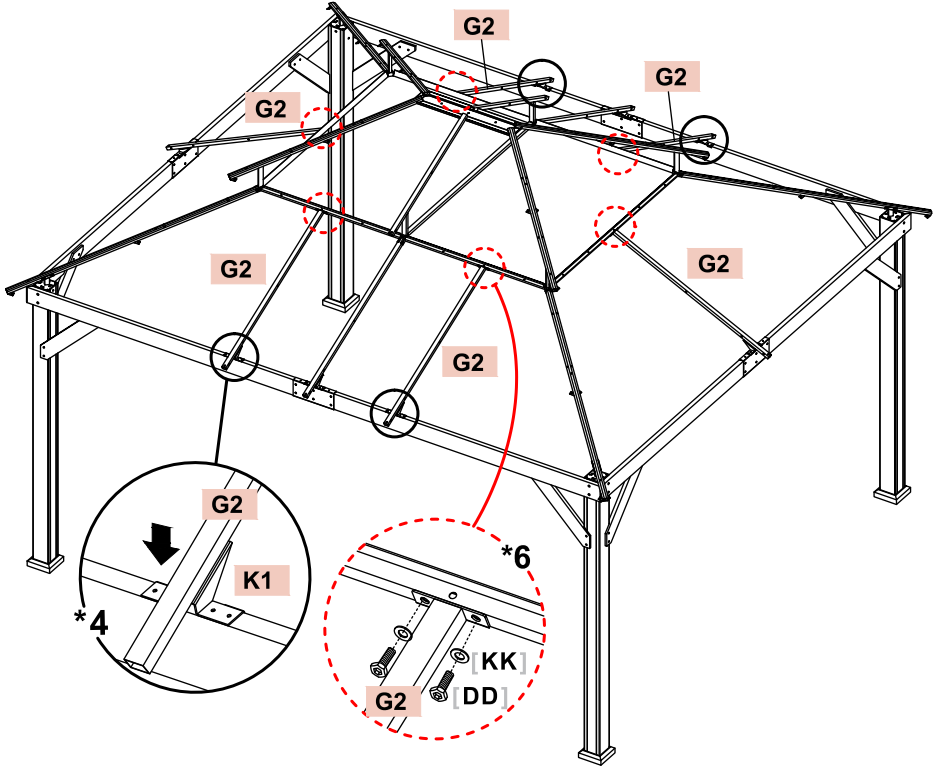
- [KK] x12
- [DD] x12



STEP 16

Attach connector **K1** on middle cross beam **G2** to cross beams. Use two (2) **[DD]** bolt and two (2) **[KK]** flat washer to attach the other end of **G2** to roof borders on the top. Repeat with the other five (5) middle cross beams **G2**.

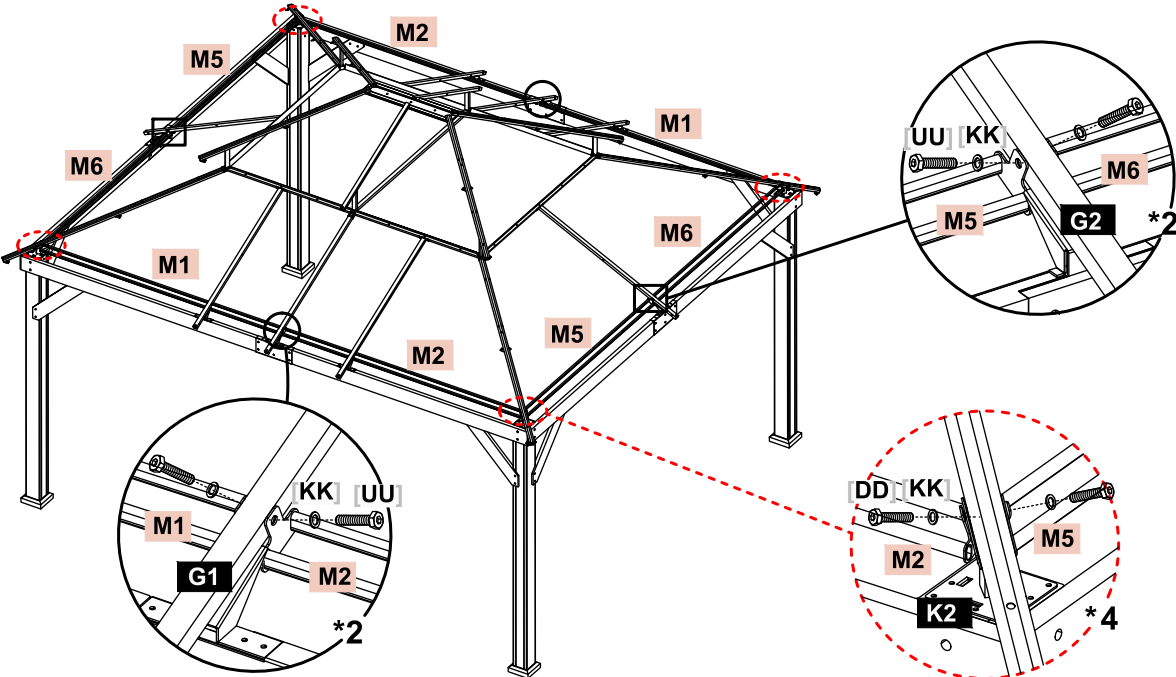
- [KK]** x12
- [DD]** x12



STEP 17

Use one (1) **[DD]** bolt, one (1) **[UU]** bolt and two (2) **[KK]** flat washers to attach one (1) mosquito net rod **M1** to middle cross beam **G1** and roof rib **F2**. Repeat with the other **M1** and two (2) **M2**. Use one (1) **[DD]** bolt, one (1) **[UU]** bolt and two (2) **[KK]** flat washers to attach one (1) mosquito net rod **M5** to middle cross beam **G2** and roof rib **F2**. Repeat with the other **M5** and two (2) **M6**.

- [KK]** x16
- [DD]** x8
- [UU]** x8



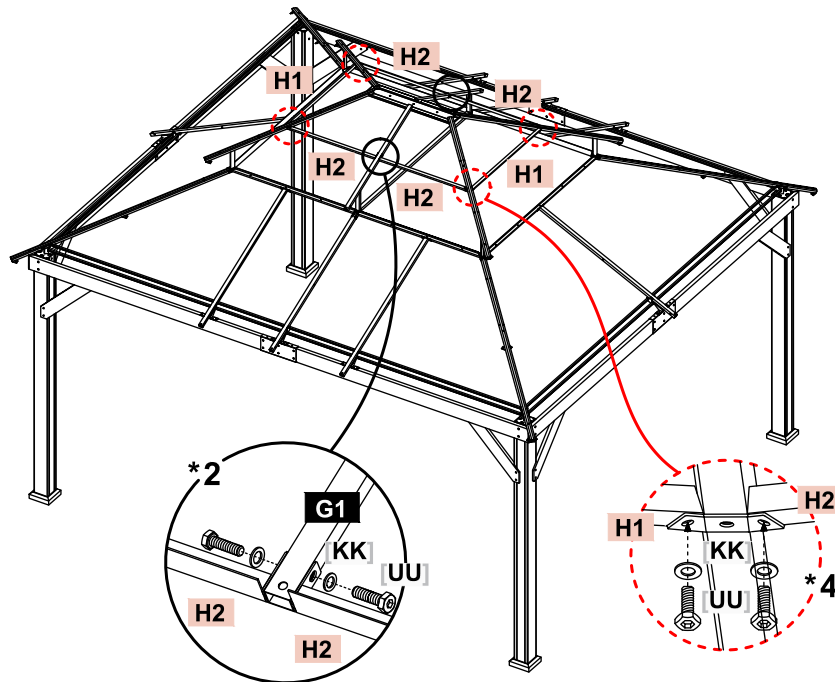
STEP 18

Use two (2) [UU] bolts and two (2) [KK] flat washers to attach one (1) roof support **H2** to middle cross beam **G1** and roof rib **F1**. Repeat with the other three (3) **H2**.

Use two (2) [UU] bolts and two (2) [KK] flat washers to attach one (1) roof support **H1** to roof ribs **F1**. Repeat with the other **H1**.

[KK] x12

[UU] x12



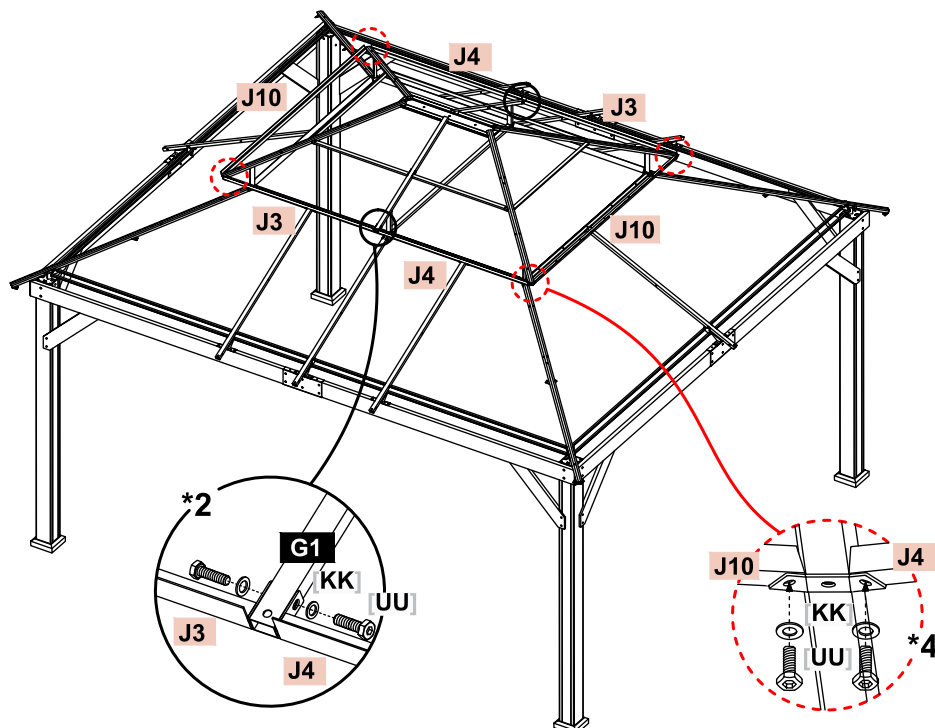
STEP 19

Use two (2) [UU] bolts and two (2) [KK] flat washers to attach one (1) roof top border **J3** to middle cross beam **G1** and roof rib **F1**. Repeat with the other **J3** and two (2) **J4**.

Use two (2) [UU] bolts and two (2) [KK] flat washers to attach one (1) roof top border **J10** to roof ribs **F1**. Repeat with the other **J10**.

[KK] x12

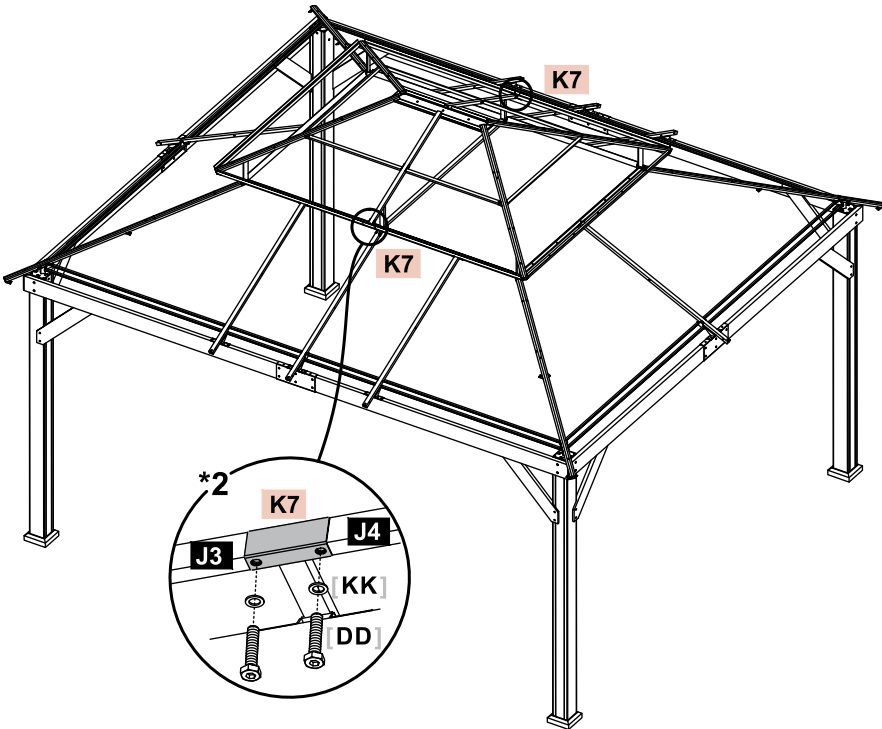
[UU] x12



STEP 20

Use two (2) [DD] bolts and two (2) [KK] flat washers to attach one (1) connector **K7** to roof top borders. Repeat with the other connector **K7**.

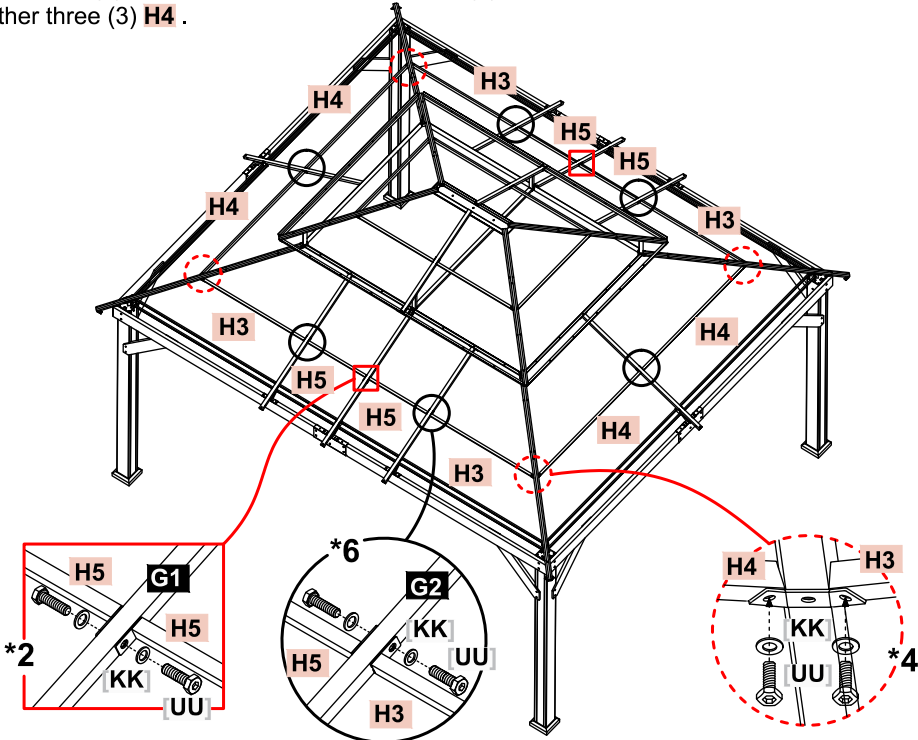
- [KK] x4
- [DD] x4



STEP 21

Use two (2) [UU] bolts and two (2) [KK] flat washers to attach one (1) roof support **H3** to roof rib **F2** and middle cross beam **G2**. Repeat with the other three (3) **H3**.
Use two (2) [UU] bolts and two (2) [KK] flat washers to attach one (1) roof support **H5** to middle cross beam **G1** and **G2**. Repeat with the other three (3) **H5**.
Use two (2) [UU] bolts and two (2) [KK] flat washers to attach one (1) roof support **H4** to roof rib **F2** and middle cross beam **G2**. Repeat with the other three (3) **H4**.

- [KK] x24
- [UU] x24



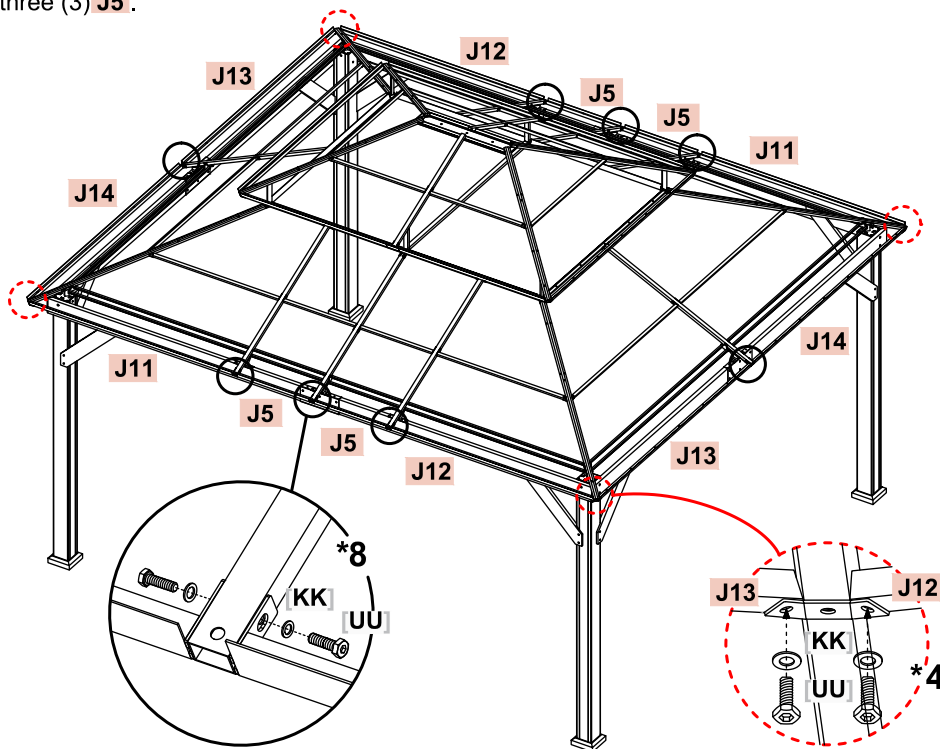
STEP 22

Use two (2) [UU] bolts and two (2) [KK] flat washers to attach one (1) roof border J11 to roof rib F2 and middle cross beam G2 . Repeat with the other J11 , two (2) J12 , two (2) J13 and two (2) J14 .

Use two (2) [UU] bolts and two (2) [KK] flat washers to attach one (1) roof border J5 to middle cross beam G1 and G2 . Repeat with the other three (3) J5 .

[KK] x24

[UU] x24



STEP 23

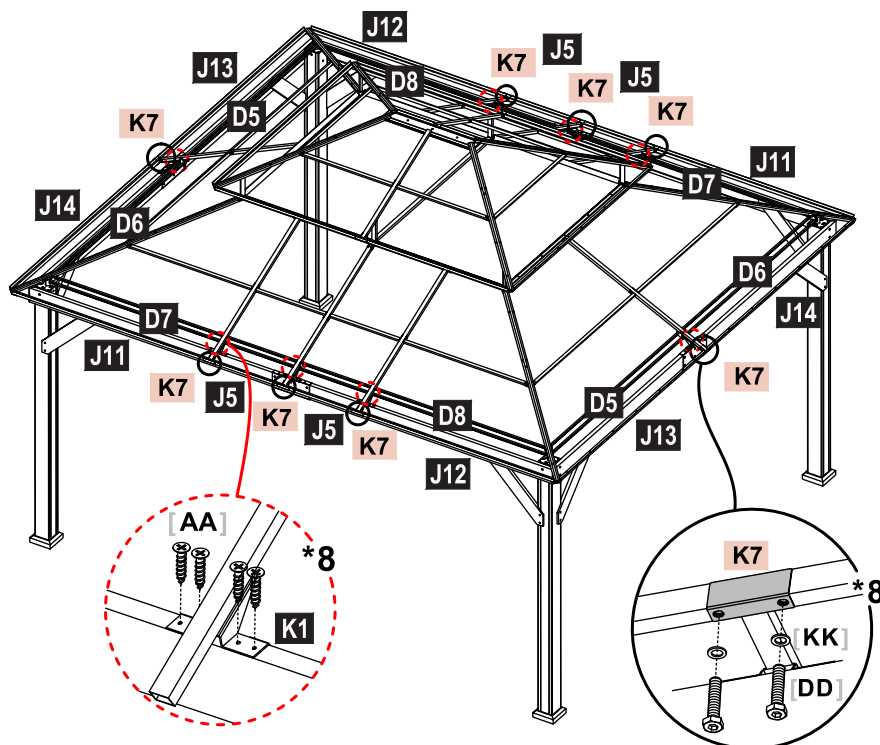
Use four (4) [AA] bolts to secure each connector K1 to cross beams.

Use two (2) [DD] bolts and two (2) [KK] flat washers to attach one (1) connector K7 to roof borders. Repeat with the other seven (7) connectors K7 .

[KK] x16

[DD] x16

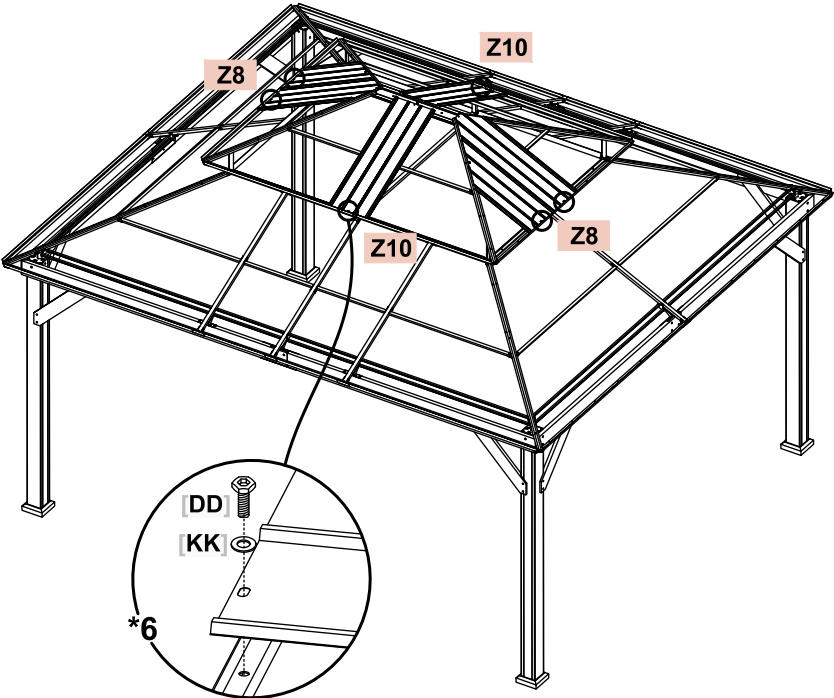
[AA] x32



STEP 24

DO NOT tighten the bolts completely until all the bolts and washers are properly installed.
Overlap the edges of the adjacent roof plates together.
Use one (1) [DD] bolt and one (1) [KK] flat washer to attach each hole of roof plates Z8 and Z10 to the top frame.

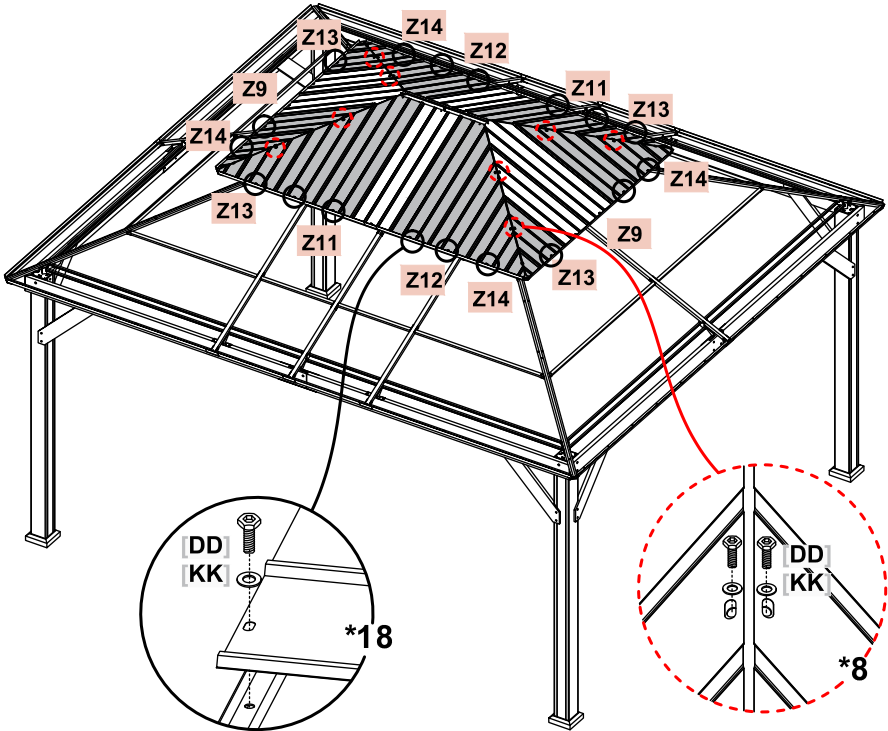
- [KK] x6
- [DD] x6



STEP 25

DO NOT tighten the bolts completely until all the bolts and washers are properly installed.
Overlap the edges of the adjacent roof plates together.
Use one (1) [DD] bolt and one (1) [KK] flat washer to attach each hole of roof plates Z9, Z11, Z12, Z13, Z14 to the top frame.

- [KK] x34
- [DD] x34



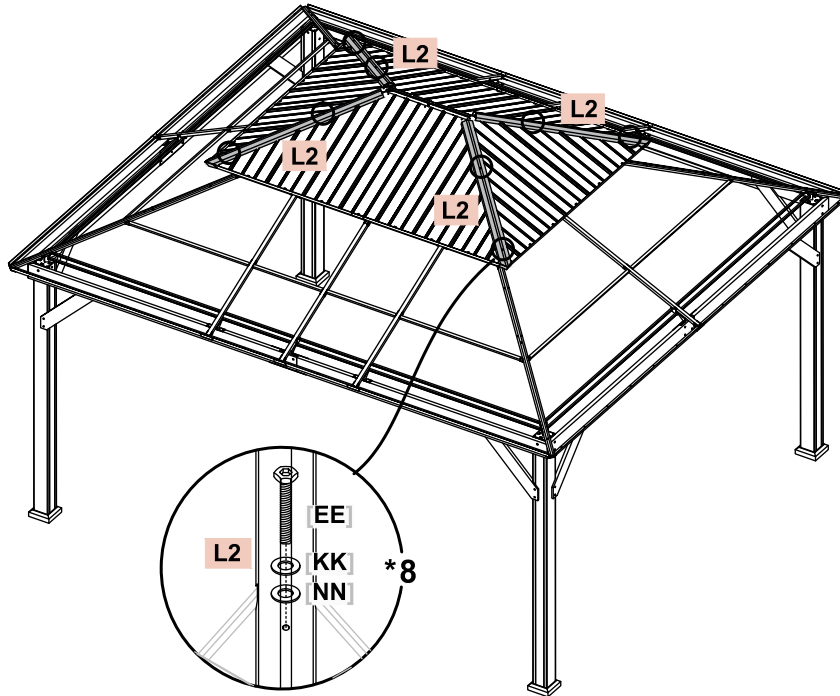
STEP 26

Use two (2) [EE] bolts, two (2) [KK] and two (2) [NN] flat washers to attach one (1) roof rib cover L2 to the top roof. Repeat with the other three (3) roof rib cover L2.

[KK] x8

[EE] x8

[NN] x8

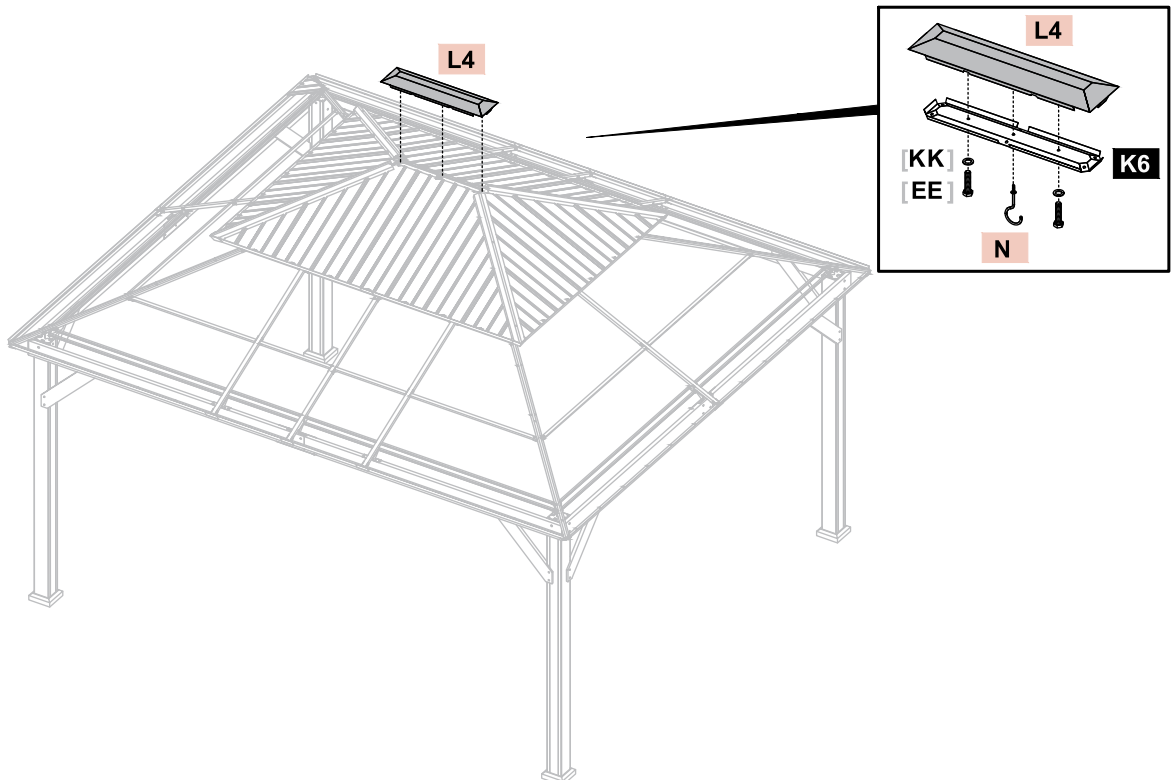


STEP 27

Place the roof rib cover L4 on top of the K6 connector and secure from below using two (2) [KK] washers and [EE] bolts. Install the N hook as well.

[KK] x2

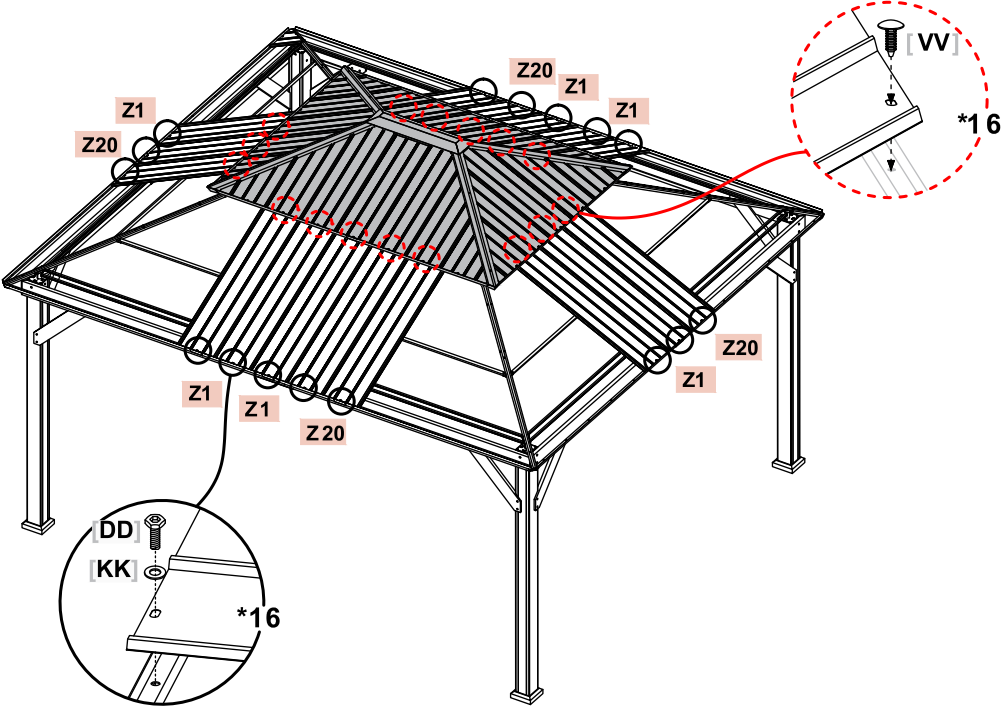
[EE] x2



STEP 28

Overlap the edges of the adjacent roof plates together.
Use one (1) [VV] bolt to attach each hole on upper end of roof plates Z1 and Z20 to the frame.
Use one (1) [DD] bolt and one (1) [KK] flat washer to attach each hole on lower end of roof plates Z1 and Z20 to the frame.

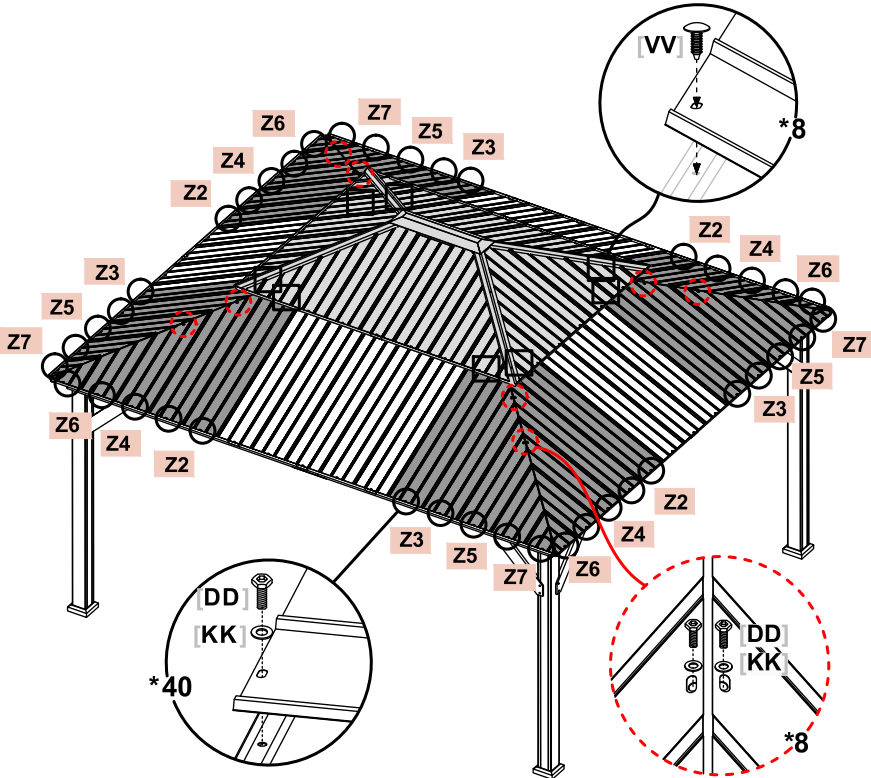
- [KK] x16
- [DD] x16
- [VV] x16



STEP 29

Use one (1) [DD] bolt and one (1) [KK] flat washer to attach each hole of lower end of roof plates Z2 , Z3 , Z4 , Z5 , Z6 , Z7 to the frame.
Use one (1) [VV] bolt to attach each hole of top end of roof plates Z2 , Z3 , Z4 , Z5 , Z6 , Z7 to the frame.

- [KK] x56
- [DD] x56
- [VV] x8



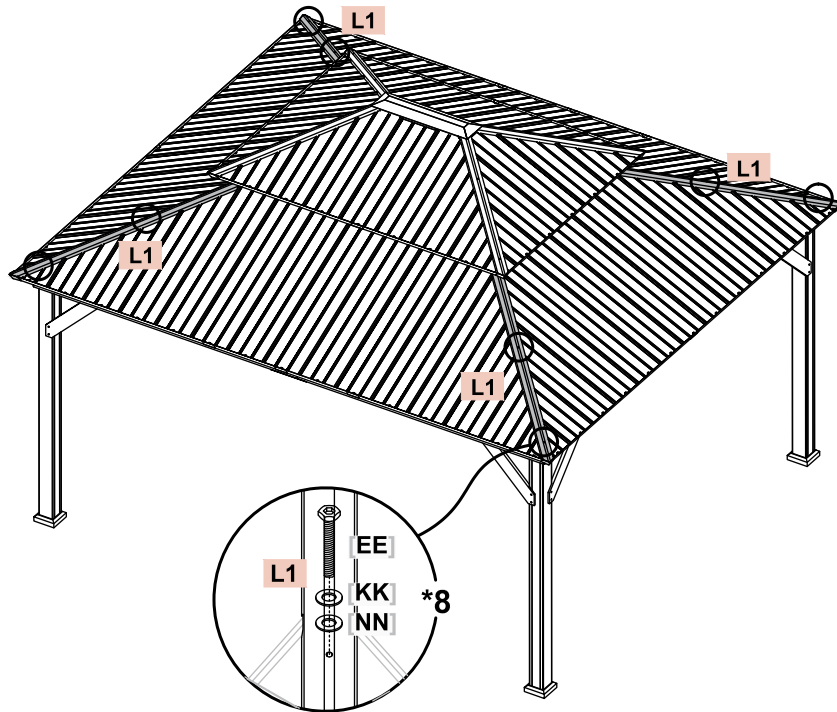
STEP 30

Use two (2) [EE], two (2) [KK] flat washers and two (2) [NN] flat washers to attach one (1) roof rib cover L1 to the roof. Repeat with the other three (3) roof rib cover L1.

[KK] x8

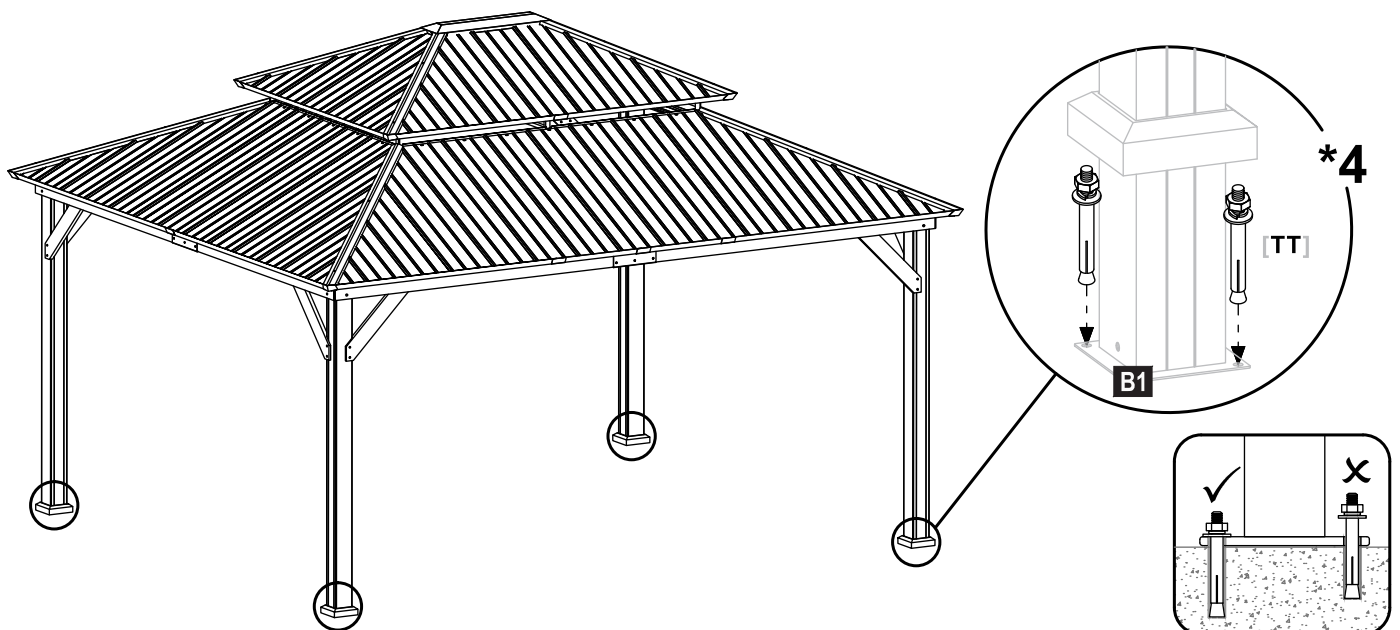
[EE] x8

[NN] x8



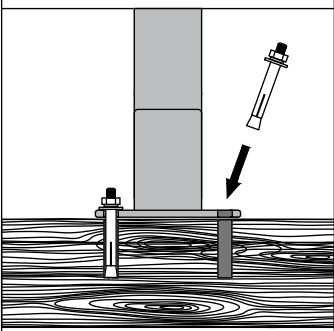
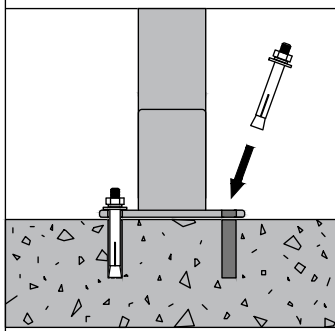


STEP 31 Use two (2) [TT] expansion bolts to anchor each post foot base B1. please make sure the expansion bolts are fully anchored. We recommend using a 3/8 inch drill bit when installing the included expansion bolts.

[TT] x8



Outdoor Structure anchoring guide for anchoring gazebo to wood or concrete: If step 31, on page 19 in the assembly instructions is not properly completed, this will void the warranty.

⚠ WARNING! If your gazebo is not properly anchored, damage could occur. It is highly recommended for maximum safety that you mount and secure to wood or concrete footers. This is far better and safer than using ground stakes. The following are some examples of how to mount the structure to wood or concrete surfaces. Refer to local building codes or consider consulting a licensed contractor for assistance in the anchoring of this product.

WOOD	CONCRETE
	
<p>Anchors should be drilled into joists or reinforced blocking (not only deck boards).</p>  <p>Recommended Hardware: Expansion Bolt</p>	<p>Pre-drill holes for appropriately sized concrete anchors.</p>  <p>Recommended Hardware: Expansion Bolt</p>

If digging for foundation, please double check for possibility of any underground utilities such as gas, telephone, cable or sprinkler lines. Refer to your local building and city codes, ordinances, neighborhood covenants, or height restrictions regarding this type of structure for guidance on acceptable installation requirements.

⚠ CAUTION
DO NOT climb or walk on roof for any reason.

- Our components are intended for privacy, decorative and ornamental use only.
- Product is NOT INTENDED for the following:
 - A safety barrier to prevent unsupervised access to pools, hot tubs, spas or ponds.
 - As load bearing support for a building, structure, heavy objects or swings.
 - Used in structures that trap wind, rain or snow that would create extra load on the product.
 - Accumulated snow must be removed from roof.
 - DO NOT climb or walk on roof for any reason.

LIMITED WARRANTY

We warrants this product against defects in materials and workmanship for a period of one (1) year from the original date of purchase. To the extent any such defects occur, our products will send the appropriate replacement part(s) at no charge.

This warranty does not cover:

- Inspection costs or labor for replacement of any defective parts);
- Incidental or consequential damages;
- Cosmetic defects which DO NOT affect performance;
- Normal wear and tear;
- Damage due to vandalism; acts of nature, including but not limited to wind, storms, hail, floods;
- Improper assembly, installation, or use;
- Discoloration or fading of the finish as a result of exposure to chemicals, spills, pool or salt water
- Corrosion/ rust.

Your product has been designed for safety and quality. Any modifications made to the original product could compromise its structural integrity or function, and could lead to product failure or personal injury. As such, modifying this product voids any and all warranties.

This product is warranted for RESIDENTIAL USE ONLY, and is not for commercial, contract or other non-residential purposes. Products disclaims all other representations and warranties of any kind, express or implied.

The warranty applies to the original purchaser and is non-transferable. It does not apply to purchases of display models, or when the product is sold on clearance or "as is".

We makes no warranty whatsoever in respect to accessories or parts not supplied with it. This warranty shall apply only within the boundaries of the United States of America and Canada. This warranty gives the original purchaser specific rights, and the original purchaser may also have other rights, which vary from state to state.

