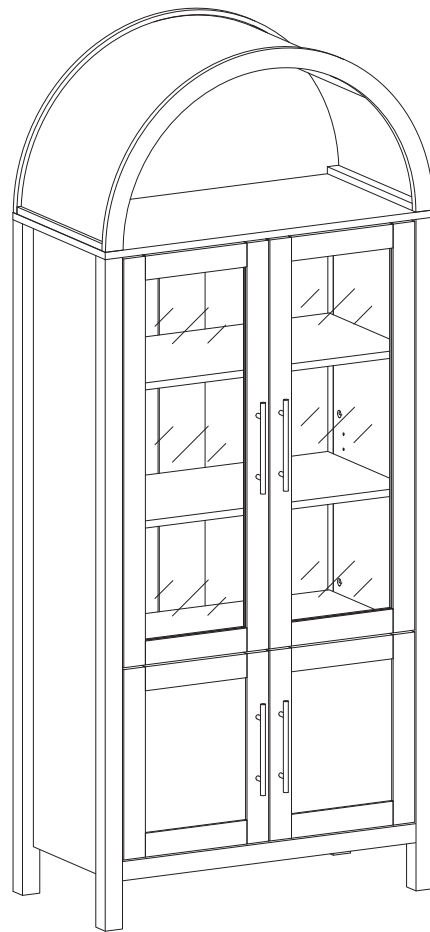


# Assembling Instruction

Item #: PDYX8058

Generating Drawings



ATTENTION

If there is any missing, please kindly send us messages to let us know the name of missing part regarding to the first page of instructions.

Please also provide us your full address so we can send replacement to you as soon as possible

We are concerned about each customer's experience, if there is any loss or damage, please contact us at any time, we will provide effective solutions.

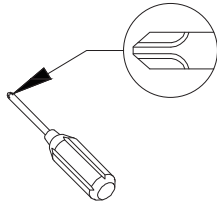
Customer service **E-mail: [cservice7@yeah.net](mailto:cservice7@yeah.net)**

Please attach your Order ID so that we can assist you better

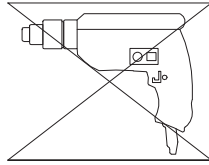


# General Assembly Guidelines

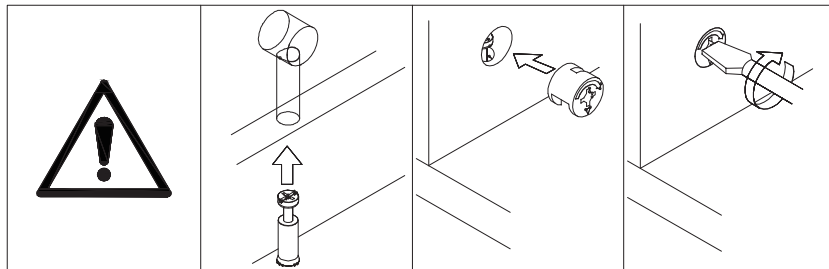
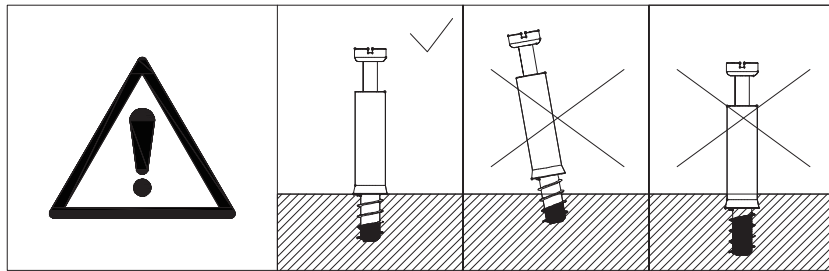
- I. Ensure that all parts and hardware are available before beginning assembly.
- II. Follow each step carefully to ensure the proper assembly of this product.
- III. Two people are recommended for ease in the assembly of this product.
- IV. The three main types of hardware used to assemble this product are : wood dowels , screws and bolts.
- VI . A Phillips head screwdriver is required for the assembly of this product .



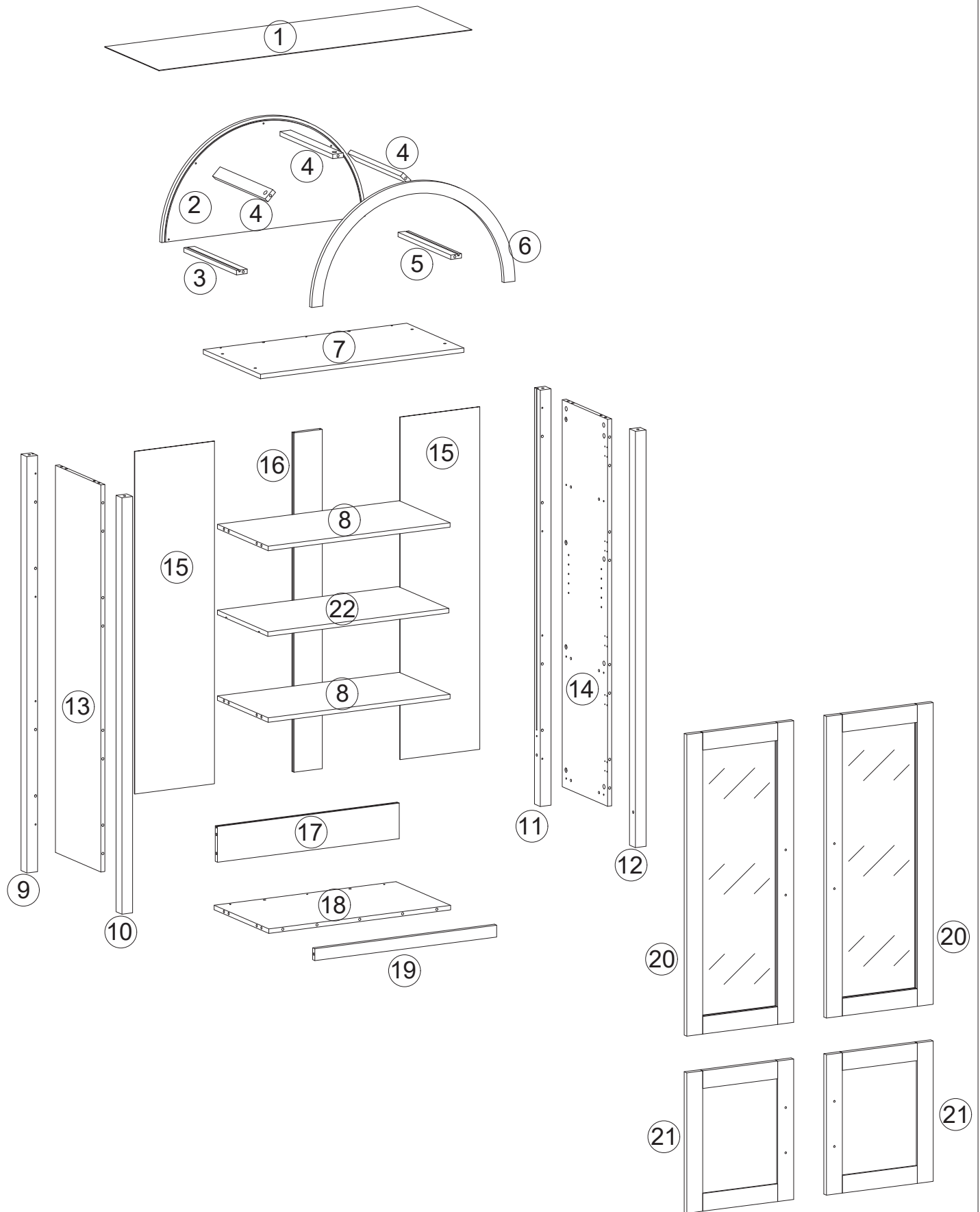
- VII . Power tools should not be used to assemble this product .



## CAM LOCK/BOLT FASTENING INTRODUCTION (You will use it during assembly)



# Parts List



# HARDWARE PACK CONTENT

A



Ø6\*33.5mm

50X+3

B



Ø15\*11mm

50X+3

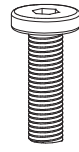
C



Ø8\*30mm

44X+3

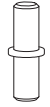
D



M6\*22mm

4X

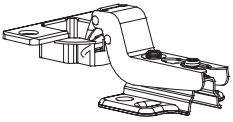
E



Ø5\*18mm

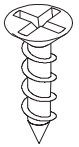
4X+1

F



10X

G



Ø4\*14mm

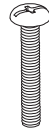
60X+3

H



4X

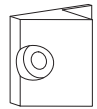
I



M4\*20mm

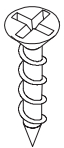
8X+1

J



16X+2

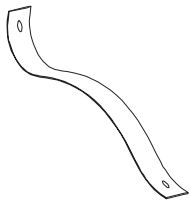
K



Ø3\*16mm

16X+2

L



2X

M



Ø8\*40mm

2X

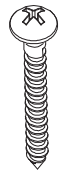
N



Ø4\*14mm

2X

O



Ø4\*38mm

2X

P



1X

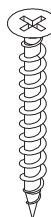
Q



Ø30mm

20X+2


R

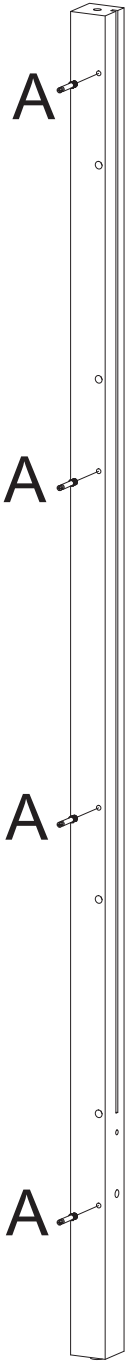


Ø4\*35mm

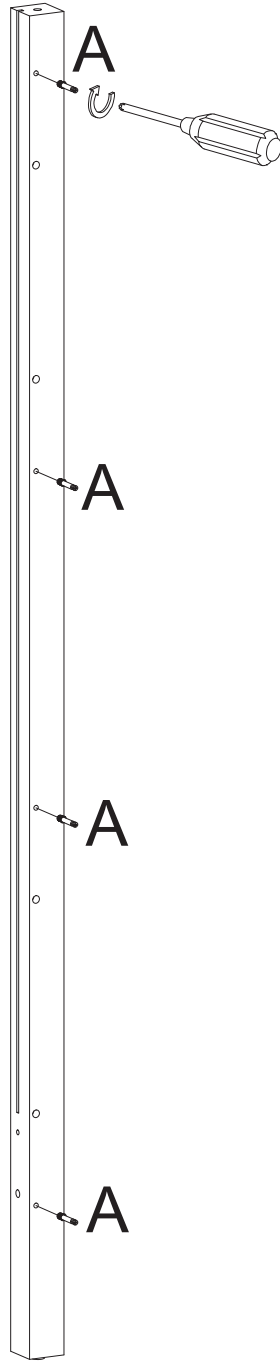
5X

# Step 1

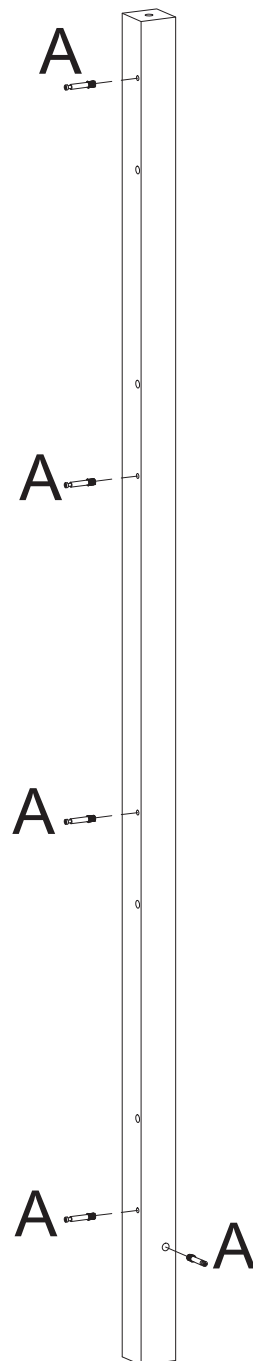
A

X18



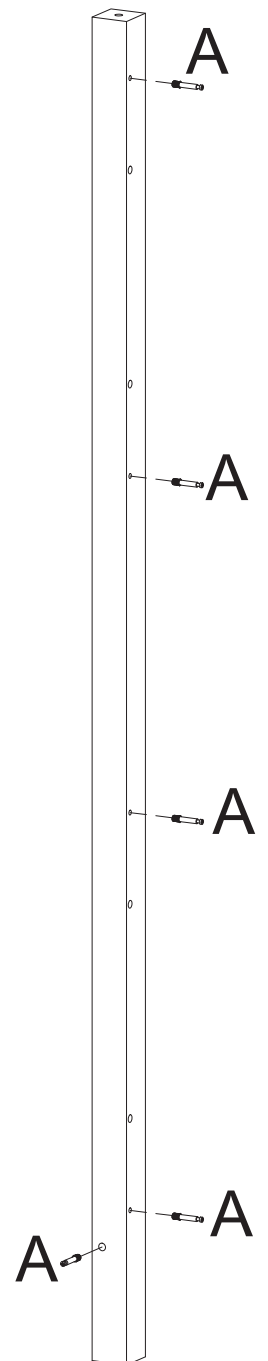
9



11





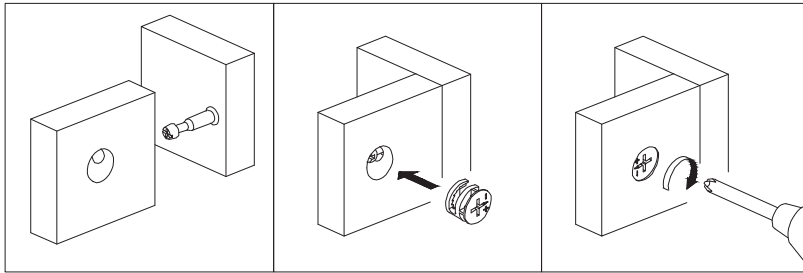
12



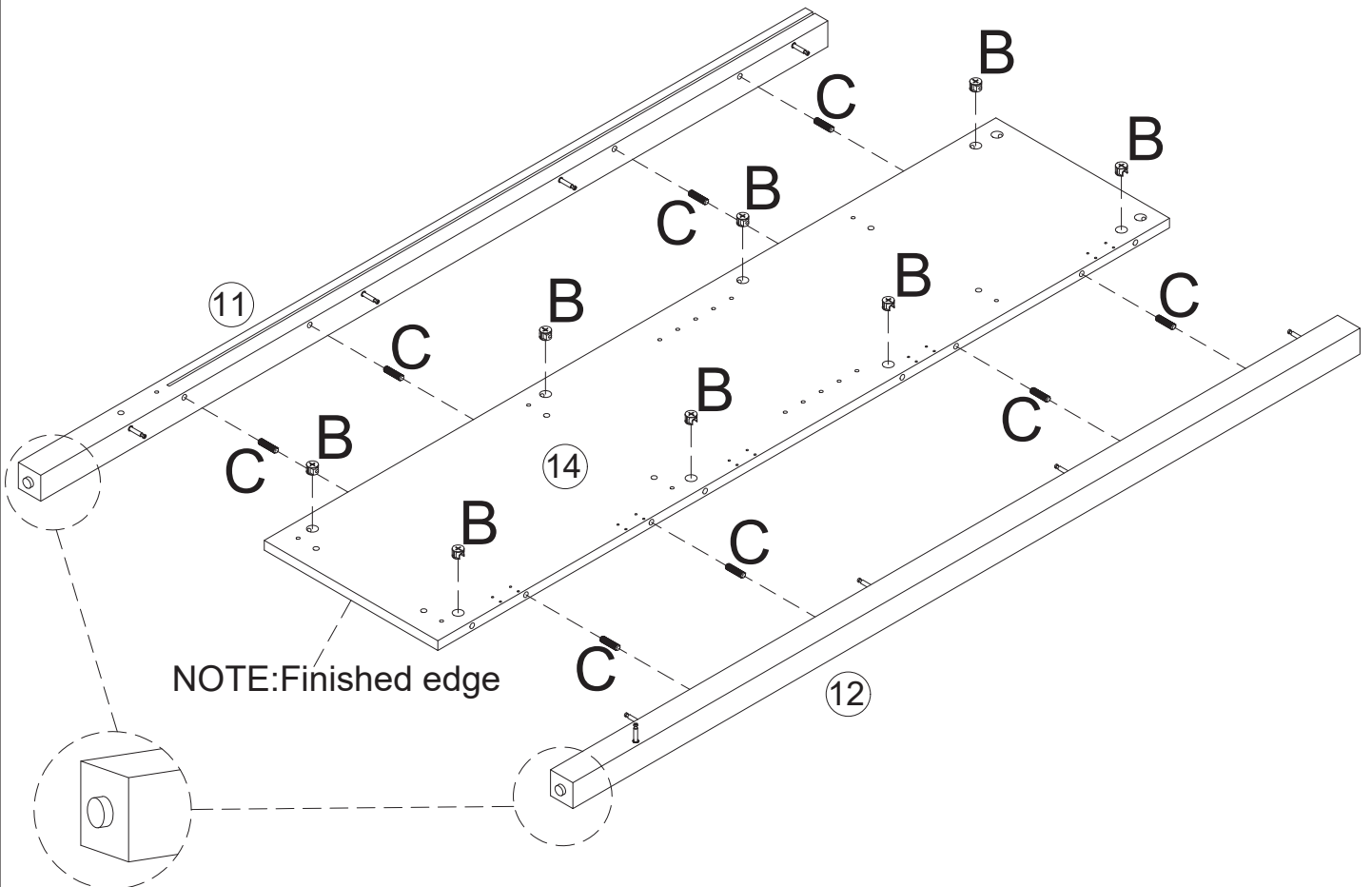
10

# Step 2

<b>B</b>	<b>C</b>
	
<b>X8</b>	<b>X8</b>





**NOTE:**Use #14 Board to connect #11 and #12 legs

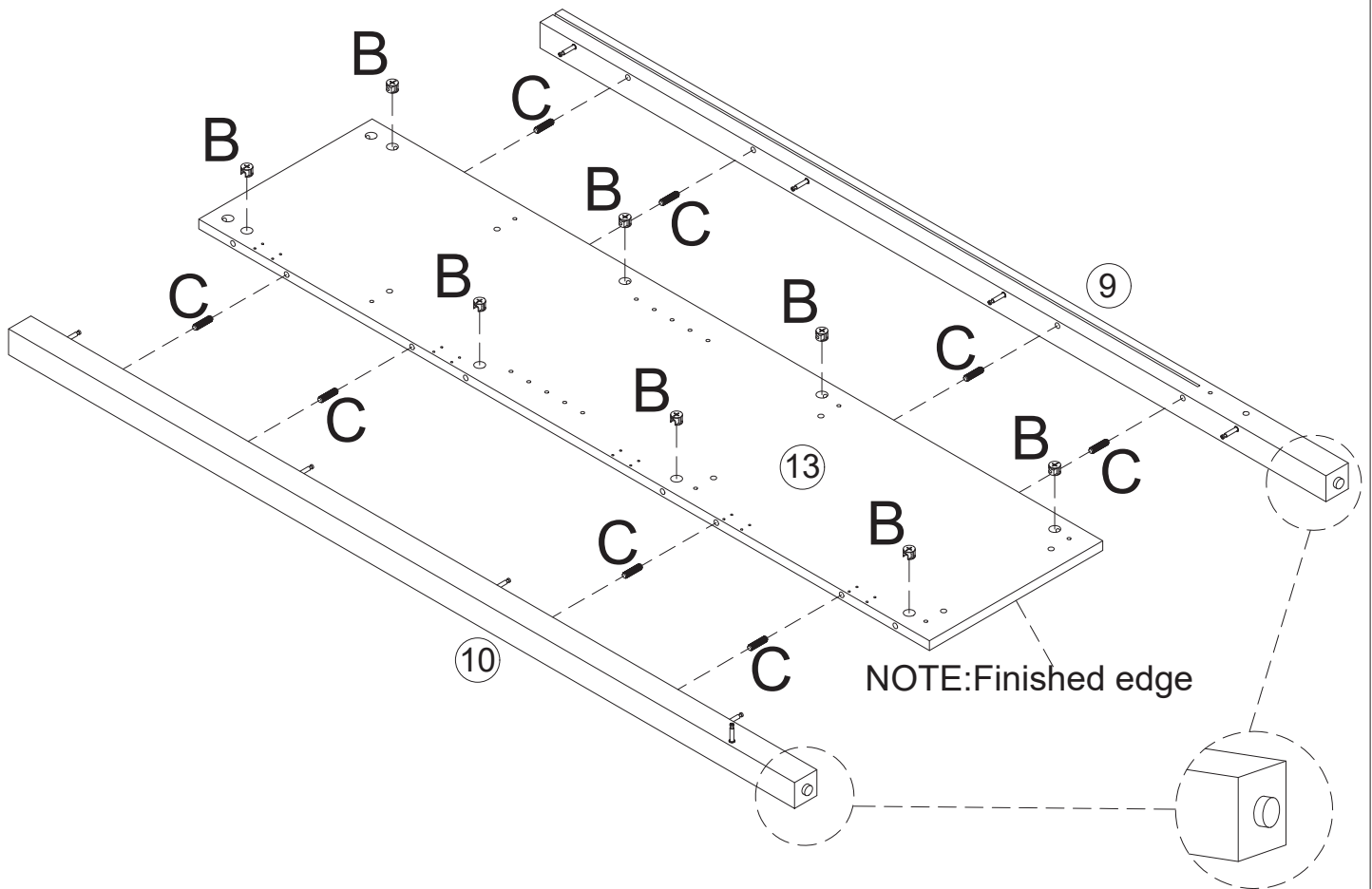


**NOTE:**Align the ends with plastic pads on parts #11 and #12 with the finished edge sides of panel #14.

# Step 3


<b>B</b>	<b>C</b>
	
<b>X8</b>	<b>X8</b>

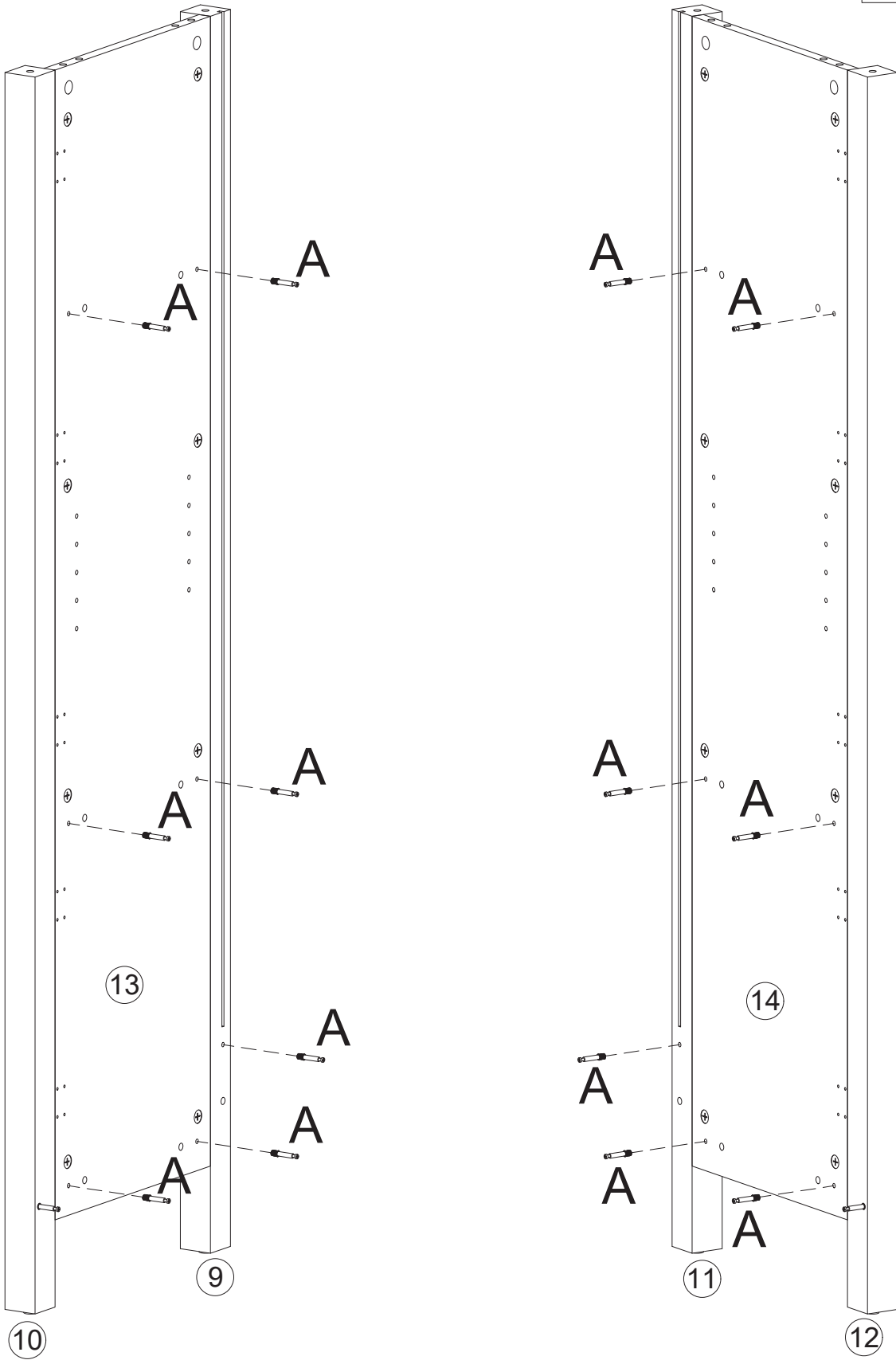
NOTE: Use #13 Board to connect #9 and #10 legs






NOTE: Align the ends with plastic pads on parts #9 and #10 with the finished edge sides of panel #13.

# Step 4

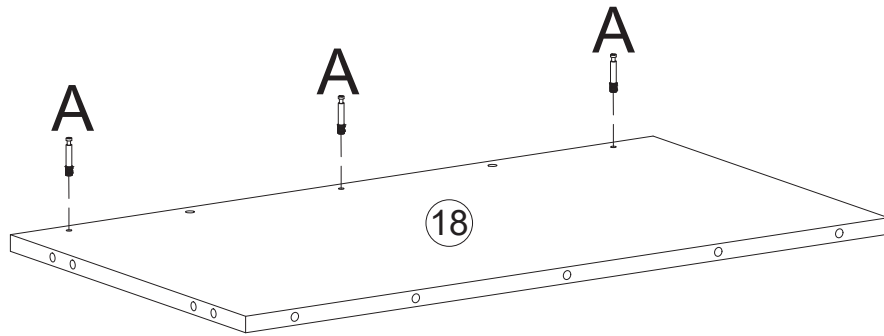
A

X14



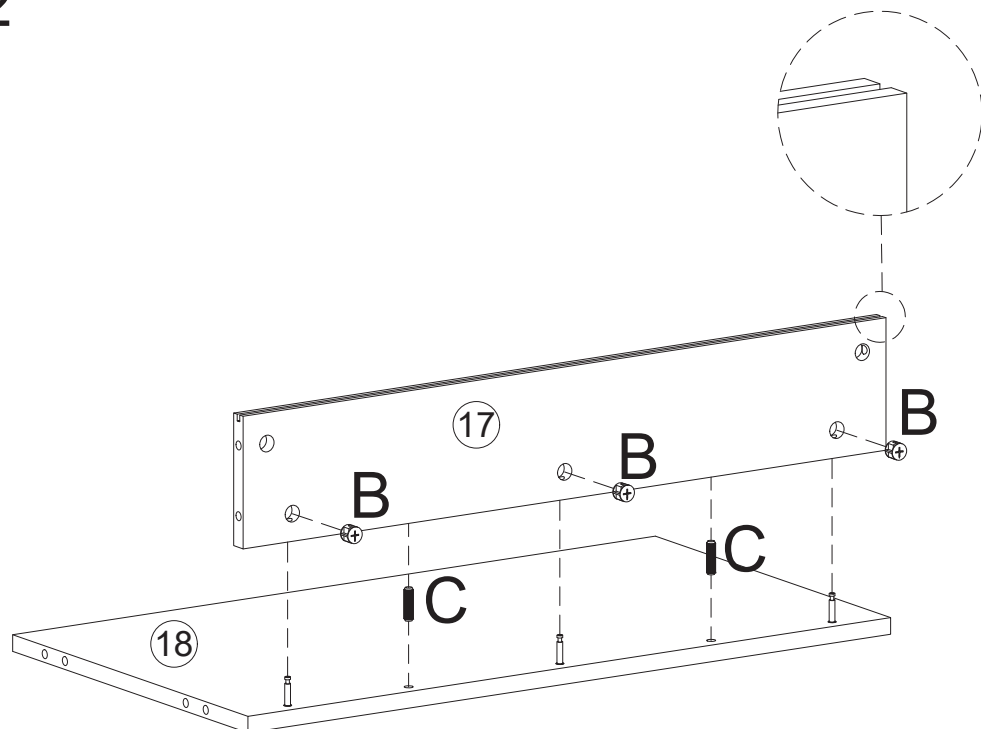
# Step 5

A	B	C
		
X3	X3	X2




## Step 5-1



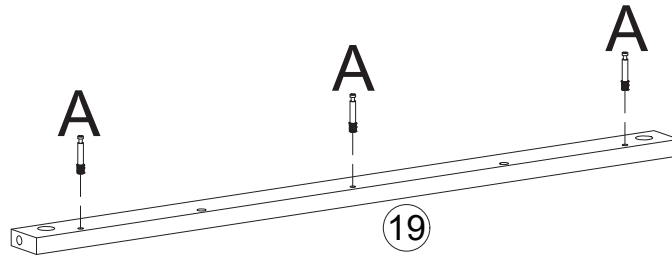
## Step 5-2



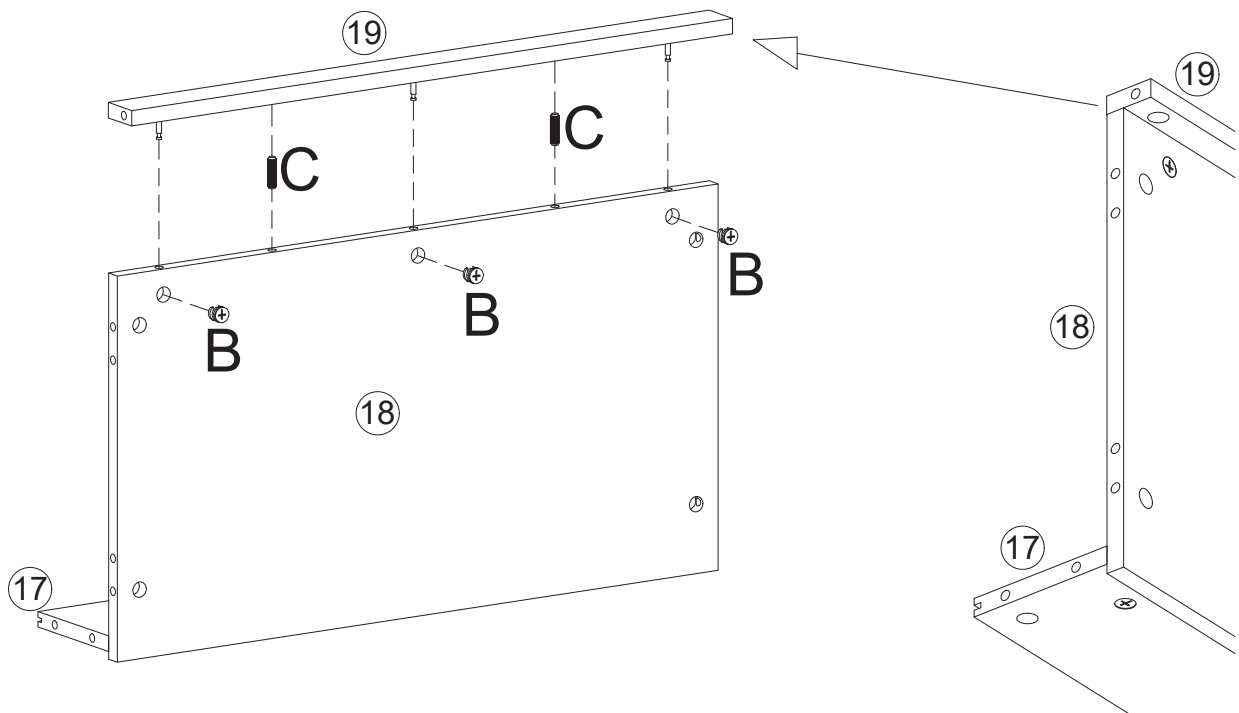
# Step 6

A	B	C
		
X3	X3	X2



## Step 6-1

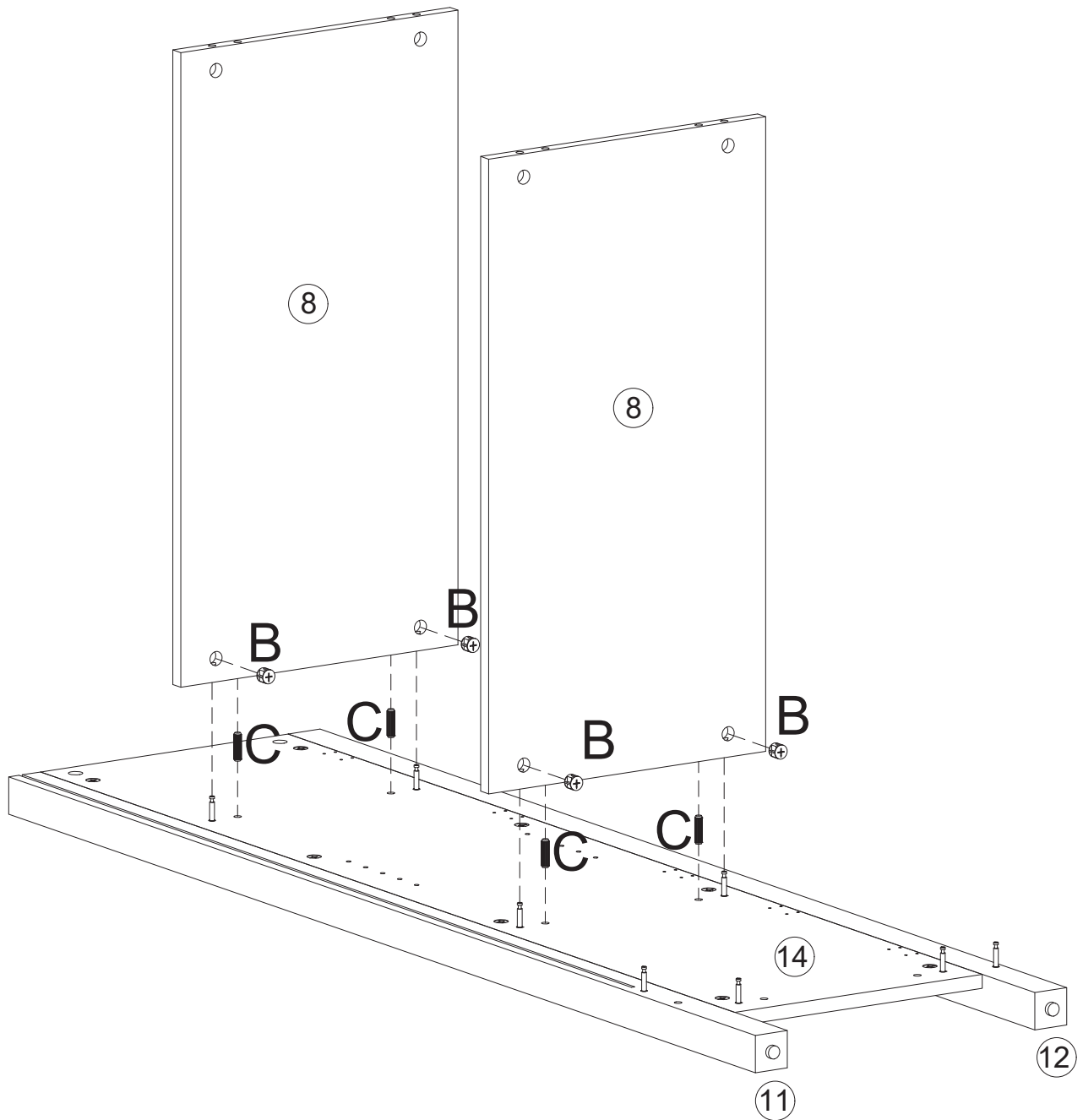


## Step 6-2





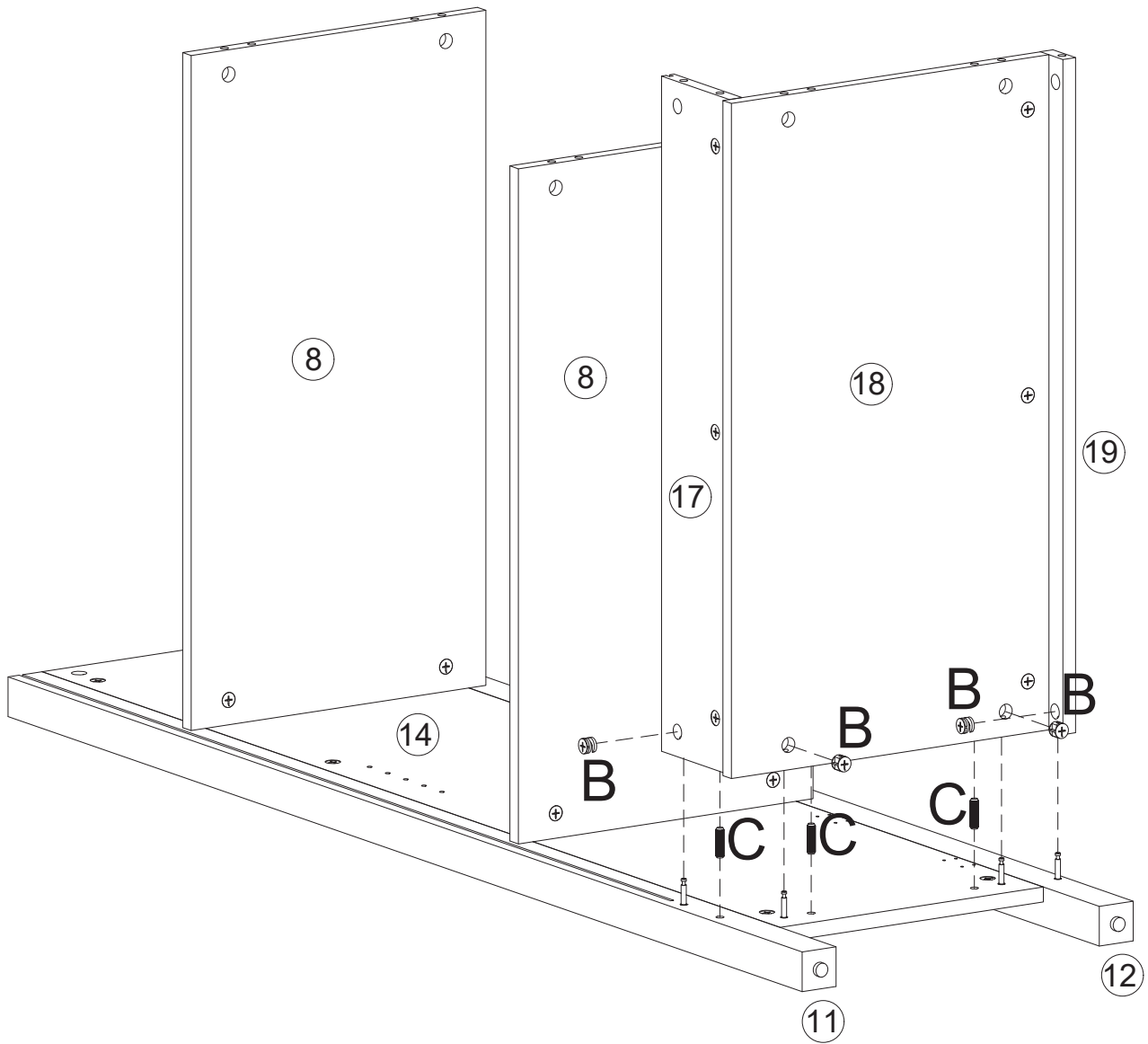
# Step 7

<b>B</b>	<b>C</b>
	
<b>X4</b>	<b>X4</b>



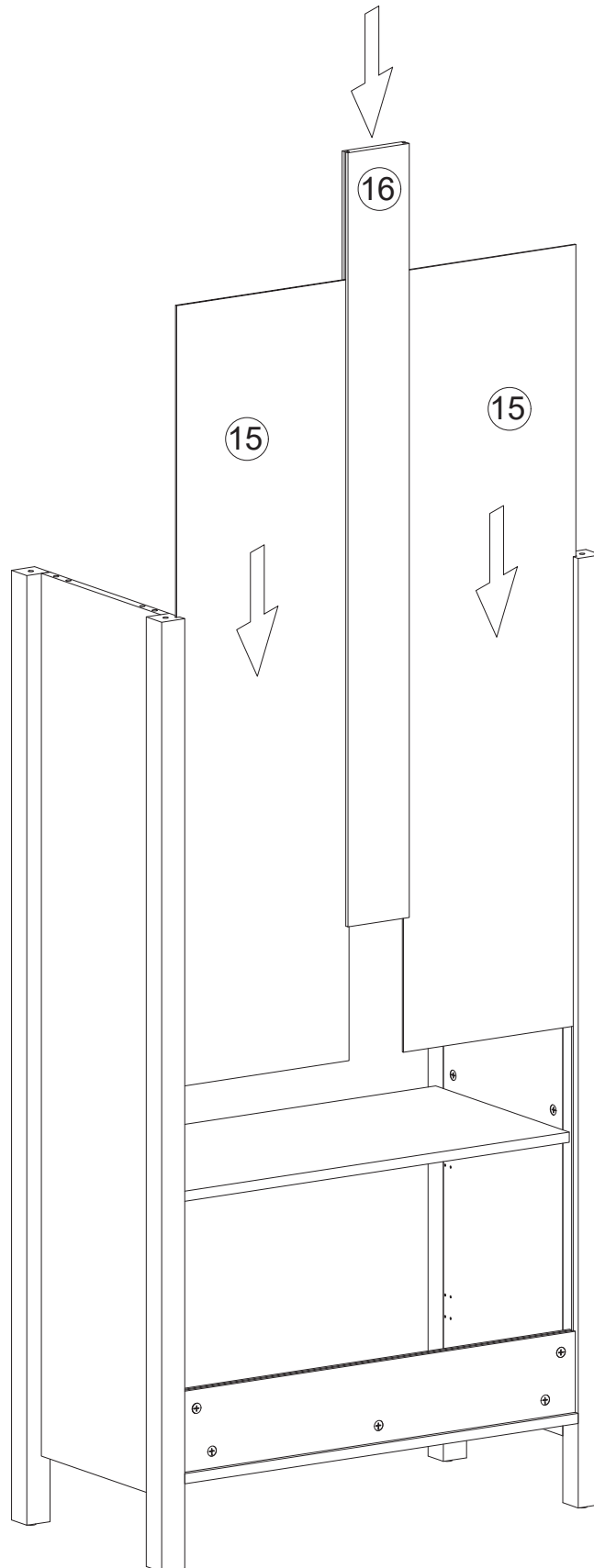
# Step 8

<b>B</b>	<b>C</b>
	
<b>X4</b>	<b>X3</b>







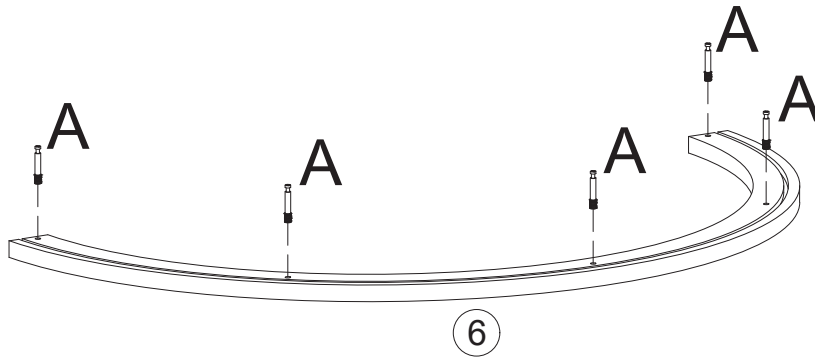
# Step 10



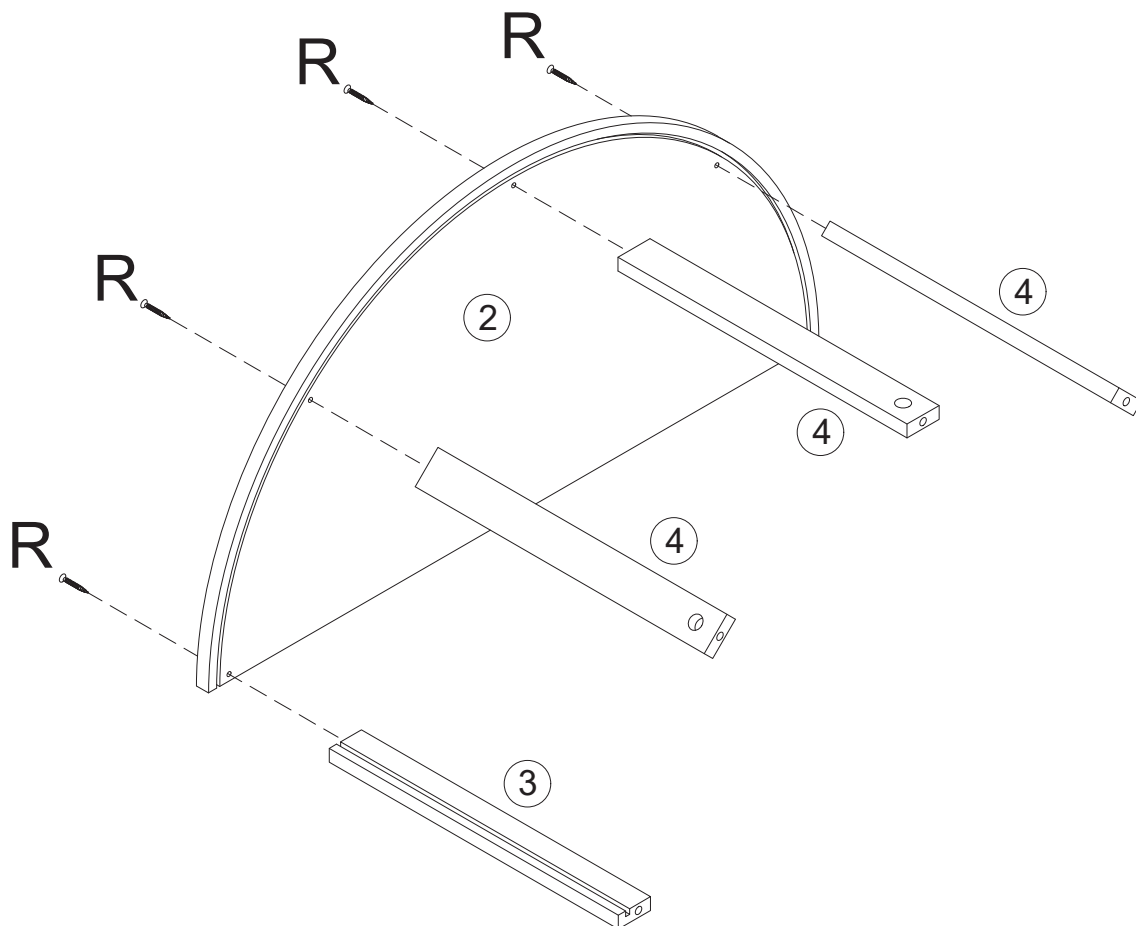
# Step 11

A	R
	
X5	X4


## Step 11-1

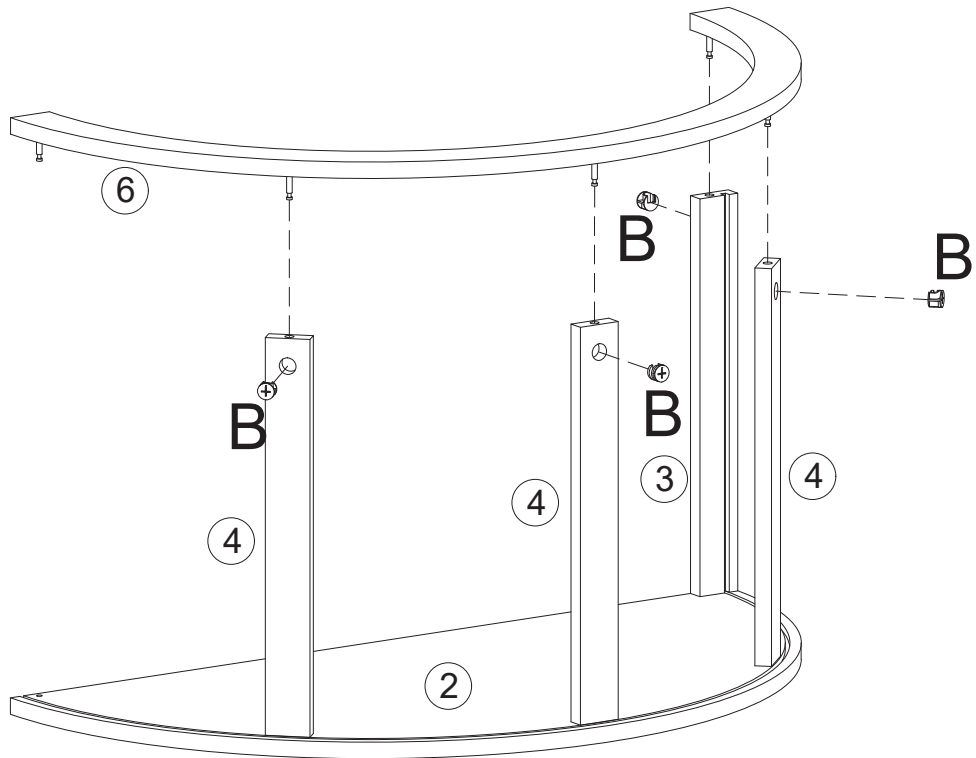


## Step 11-2



# Step 12

<b>B</b>

<b>X4</b>



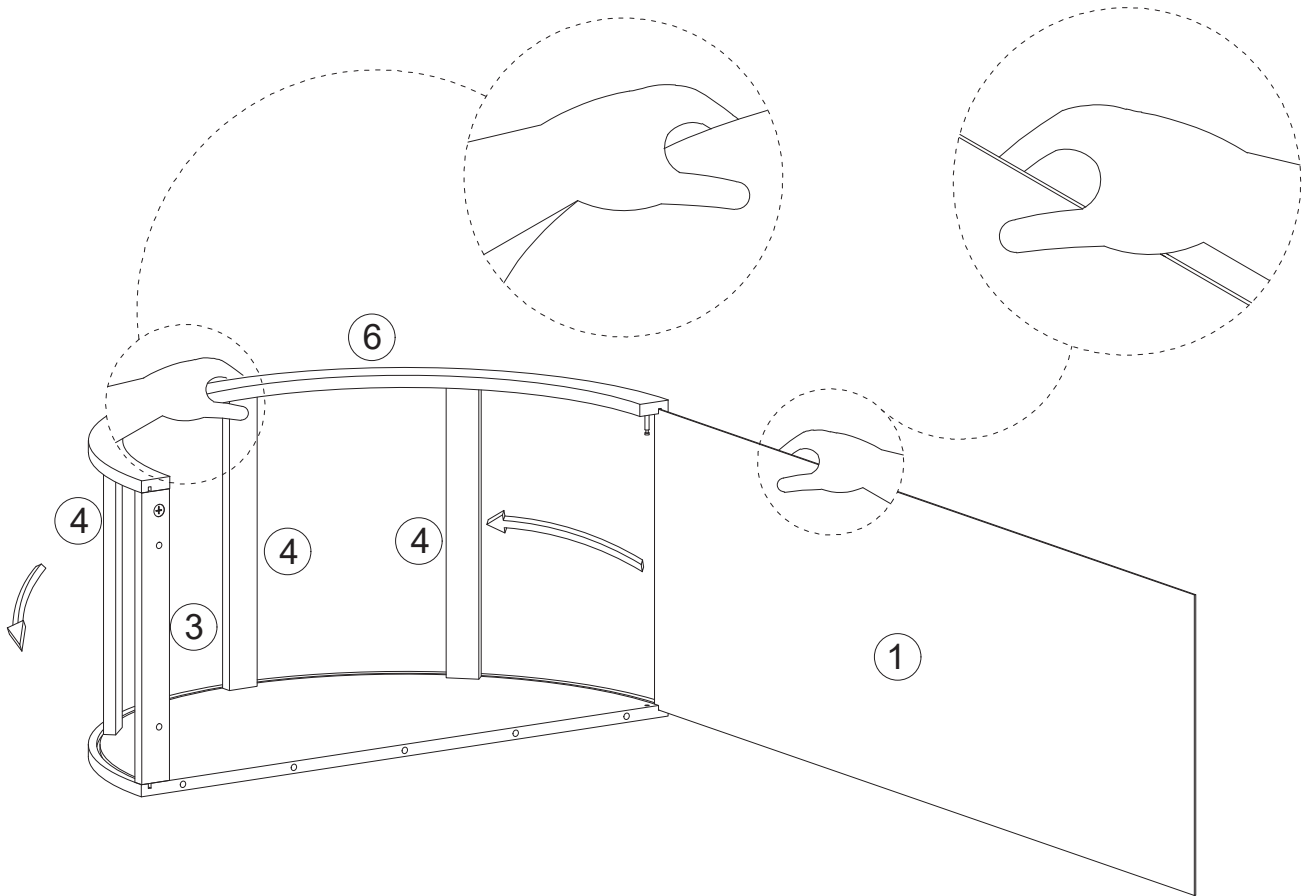
Note: The cam lock holes face to you

# Step 13

NOTE: It is recommended that 2 people assemble.

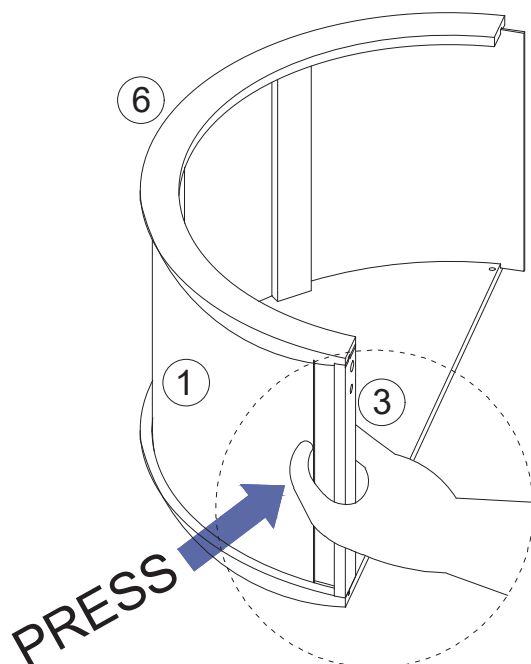
## Step 13-1: Insert Thin Board #1

Hold the middle of board #6 and insert #1 into the groove from right to left.



## Step 13-2: Secure Thin Board #1 into #3's Groove

As #1 approaches #3, press #1's middle part with hand to keep it aligned with #3's groove. Simultaneously push #1 into the groove of #3 from right to left.

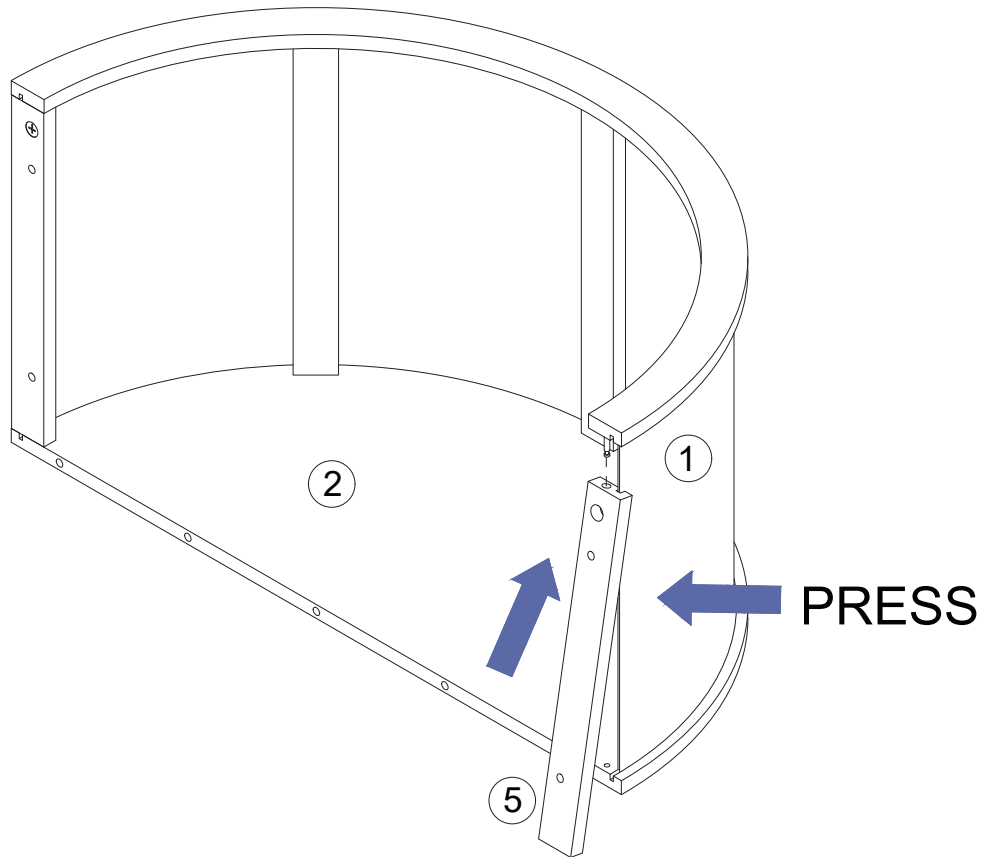


# Step 14

## Step 14-1

Install #5 on the Right Side

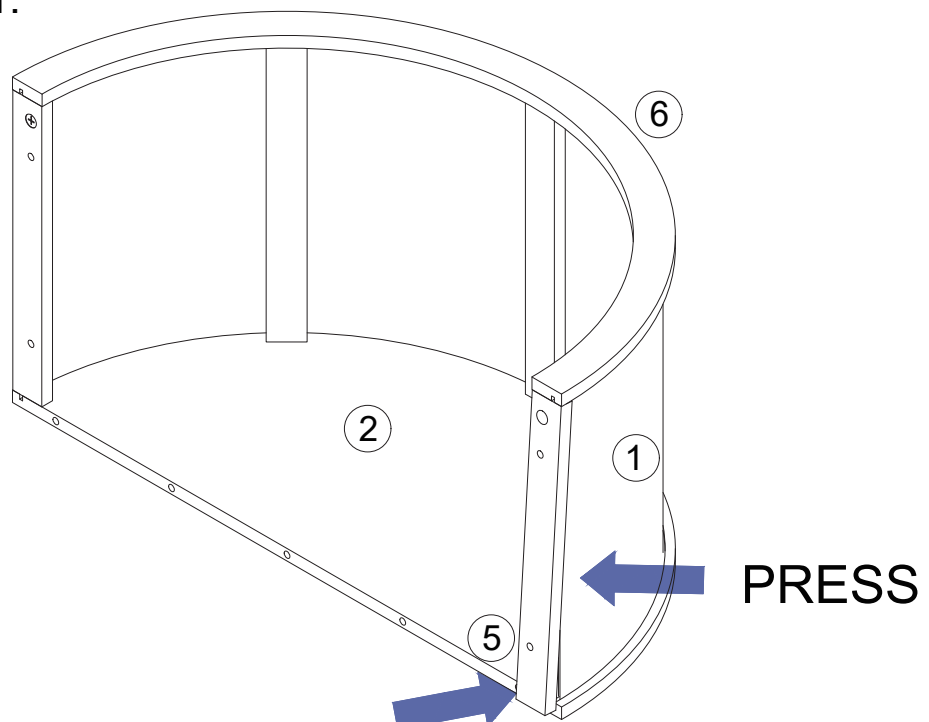
While pressing the upper end of #1 to ensure it aligned with the top of #5's groove, align #5 with the bolt on #6, and insert the top of #5 upward.



## Step 14-2



Snap #5 into Thin Board #1

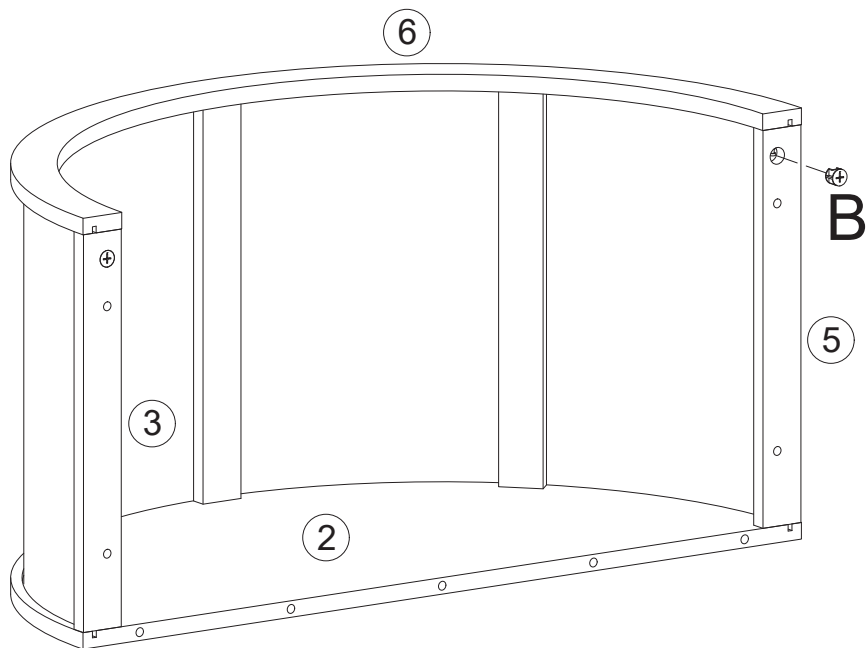
Press the middle part of #1 to align it with #5's groove, and snap the groove on #5 into #1.



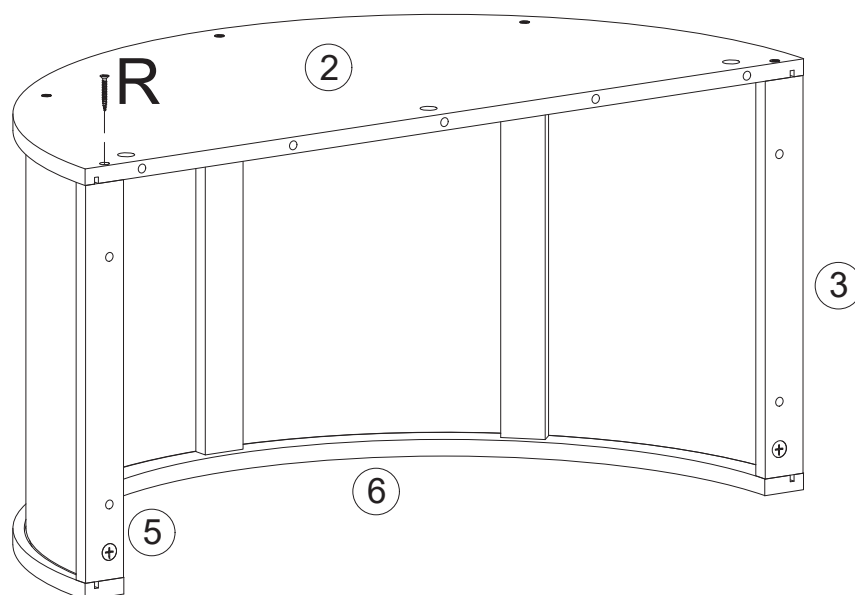
# Step 15

Step 15-1 Secure the Cam Nut  
Insert the cam lock nut and tighten it.






<b>B</b>	<b>R</b>
	
<b>X1</b>	<b>X1</b>



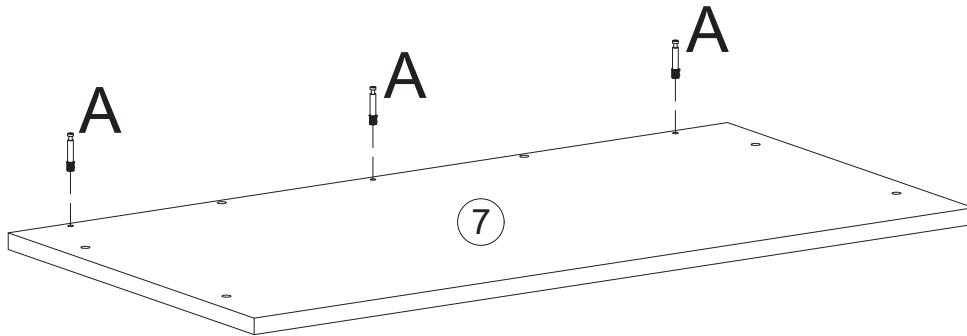
## Step 15-2



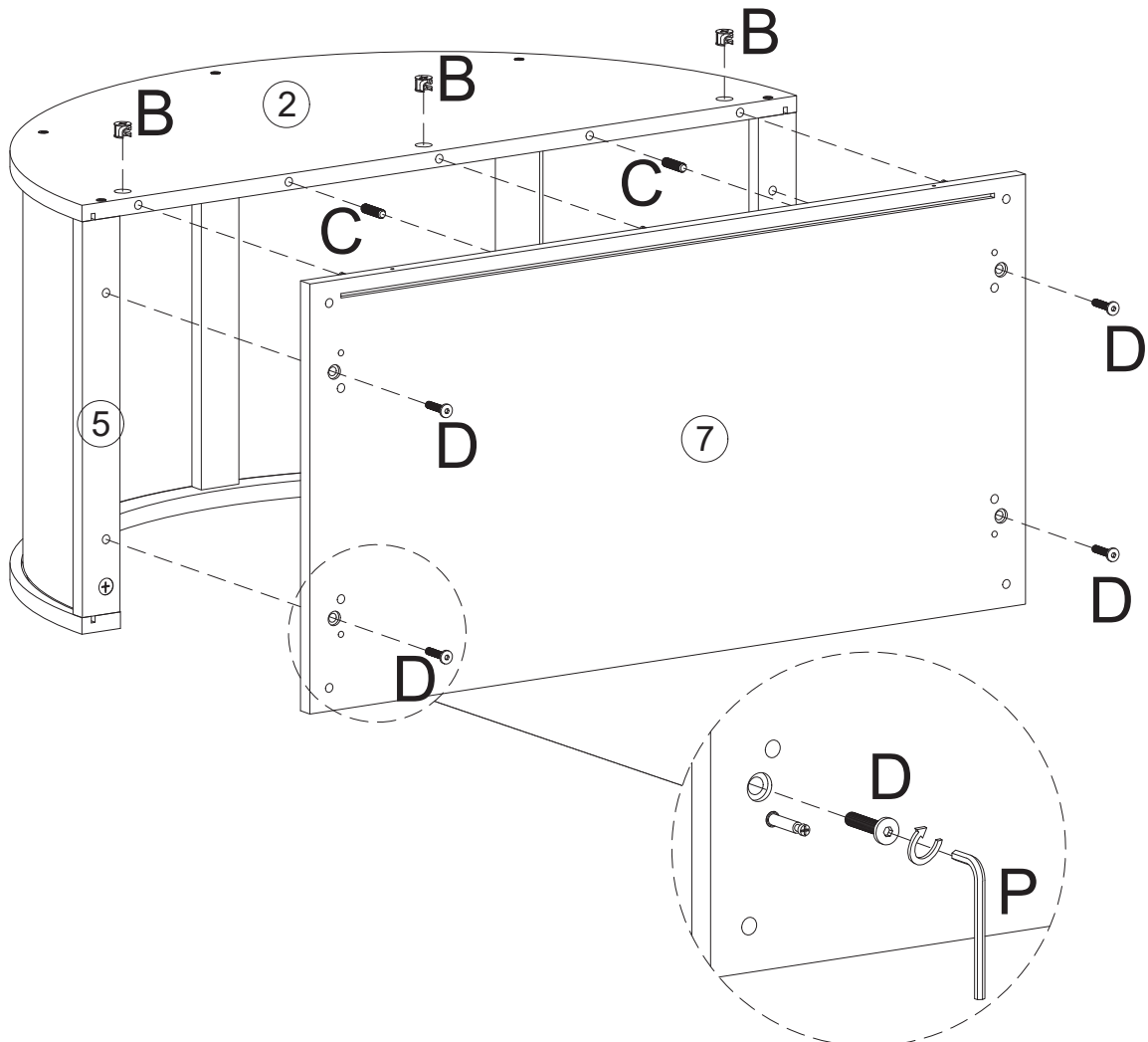
# Step 16

A	B	C	D	P
				
X3	X3	X2	X4	X1

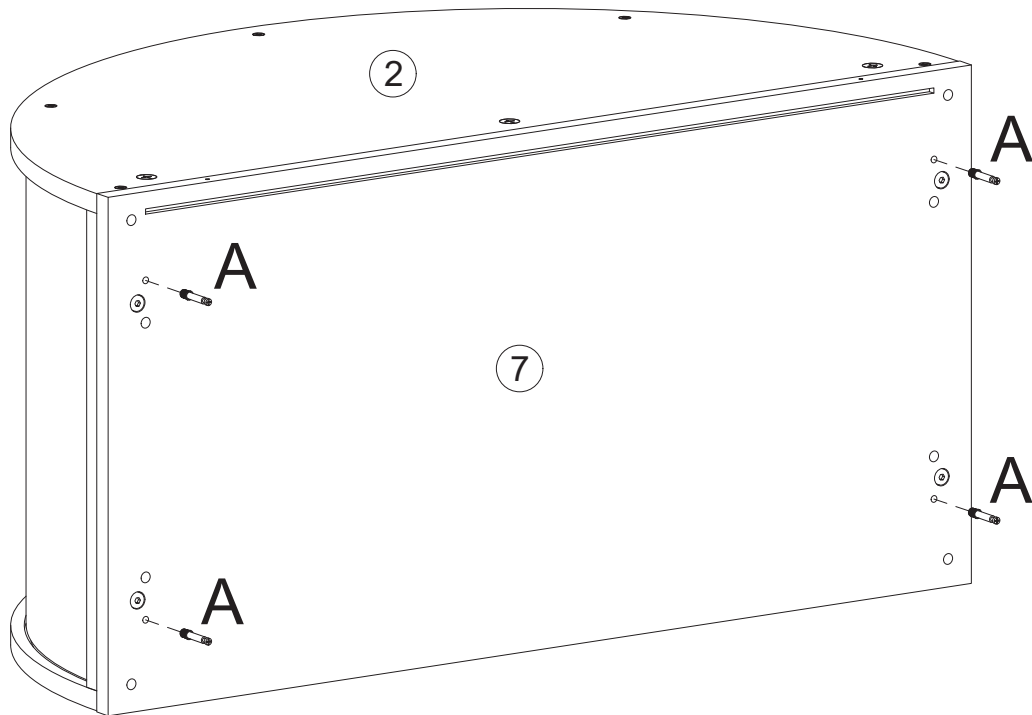
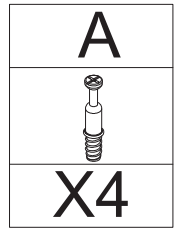
## Step 16-1




## Step 16-2

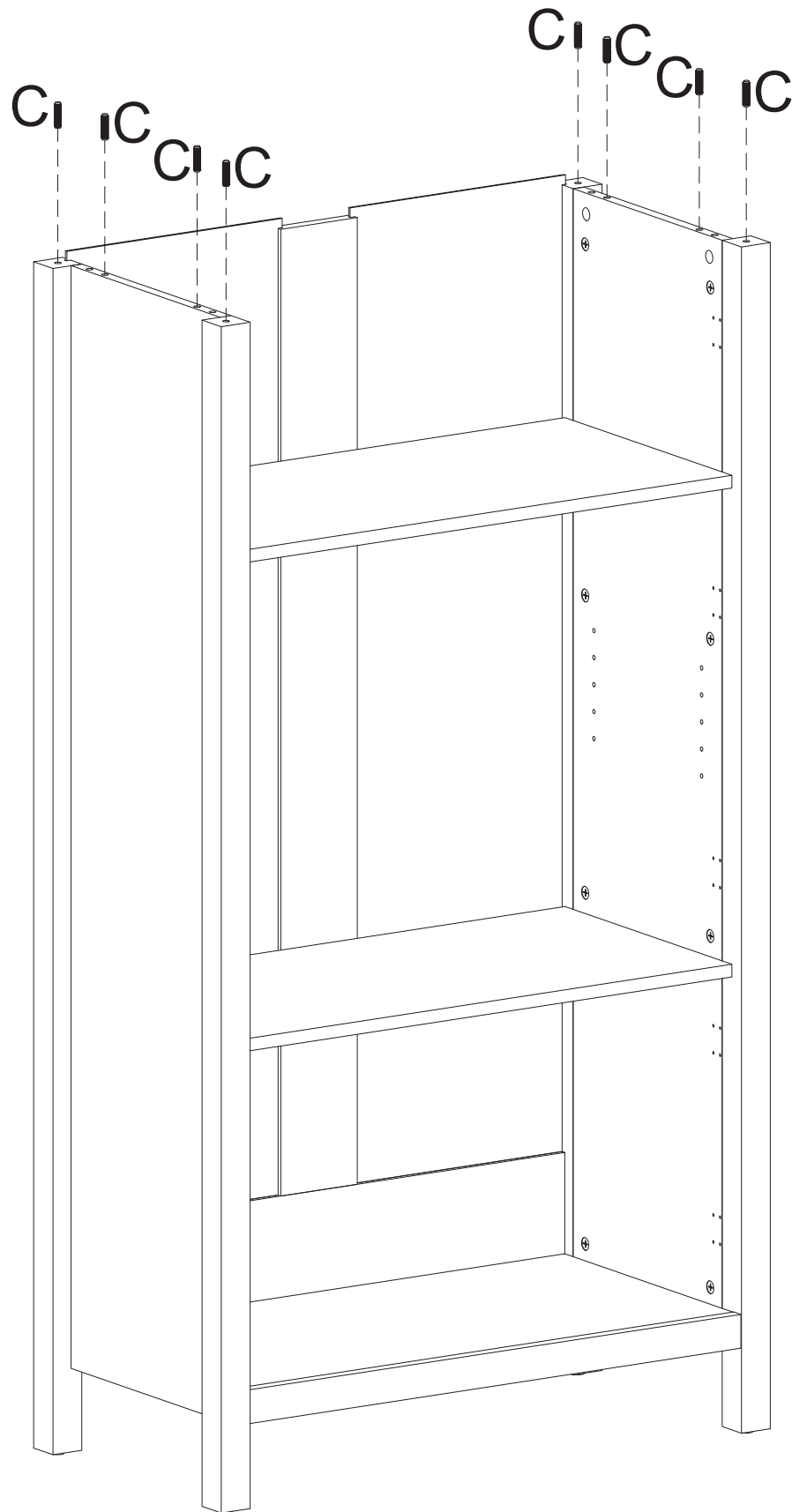


# Step 17




# Step 18

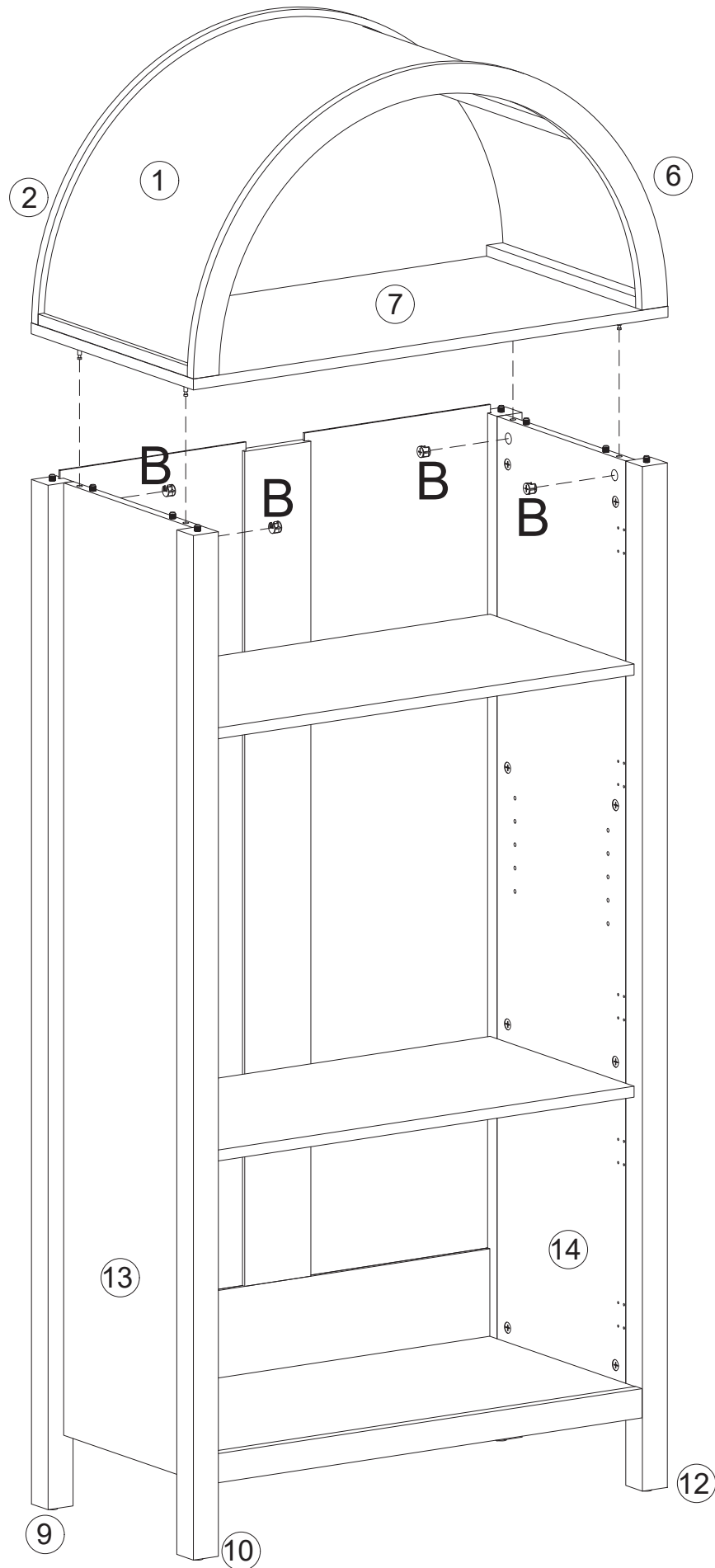
C

X8



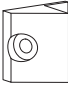
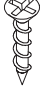
# Step 19

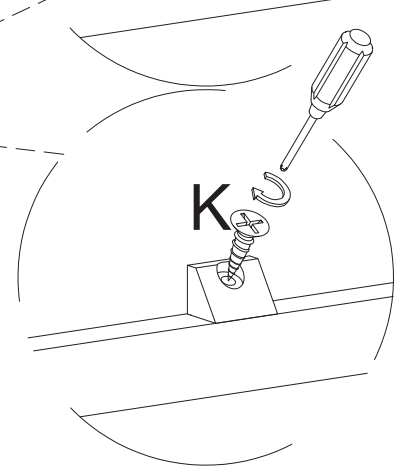
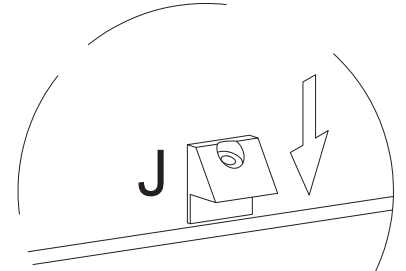
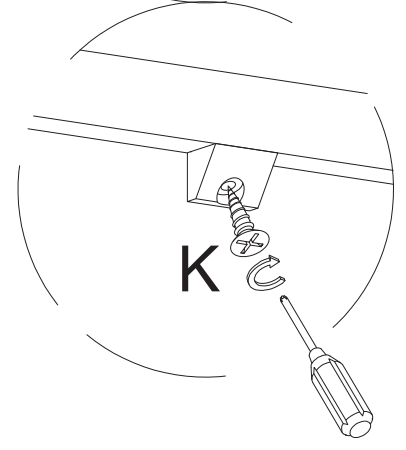
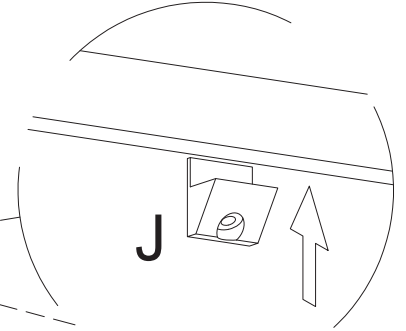
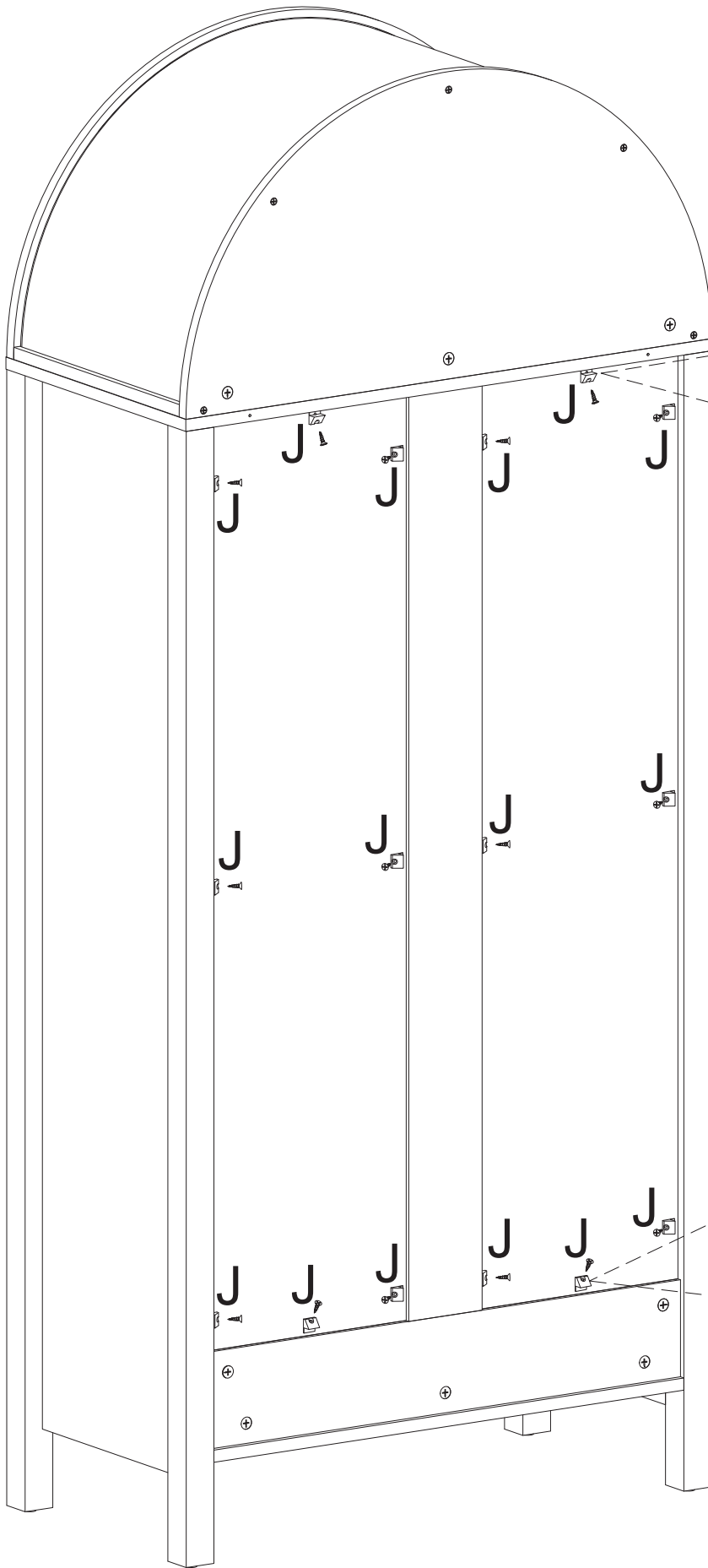
NOTE: This step is recommended for two people to complete together.

<b>B</b>

<b>X4</b>



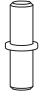
# Step 20

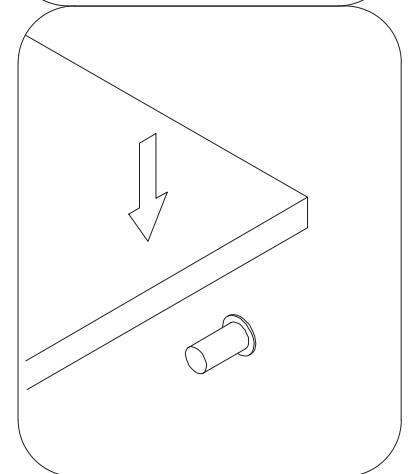
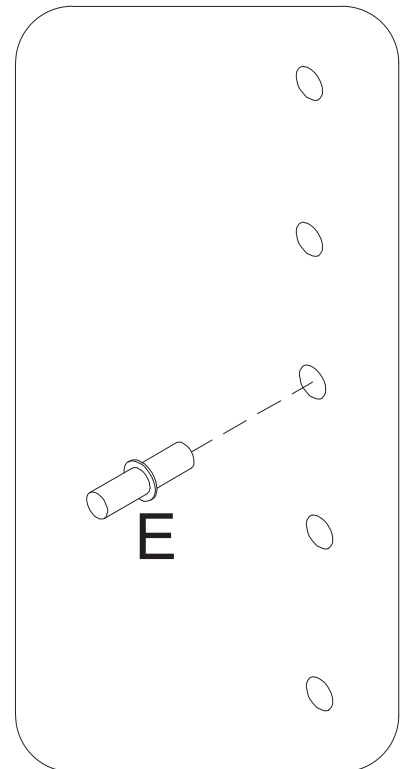
J	K
	
X16	X16



# Step 21

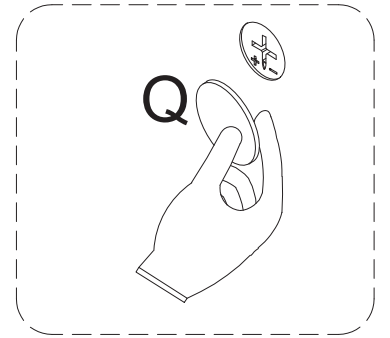
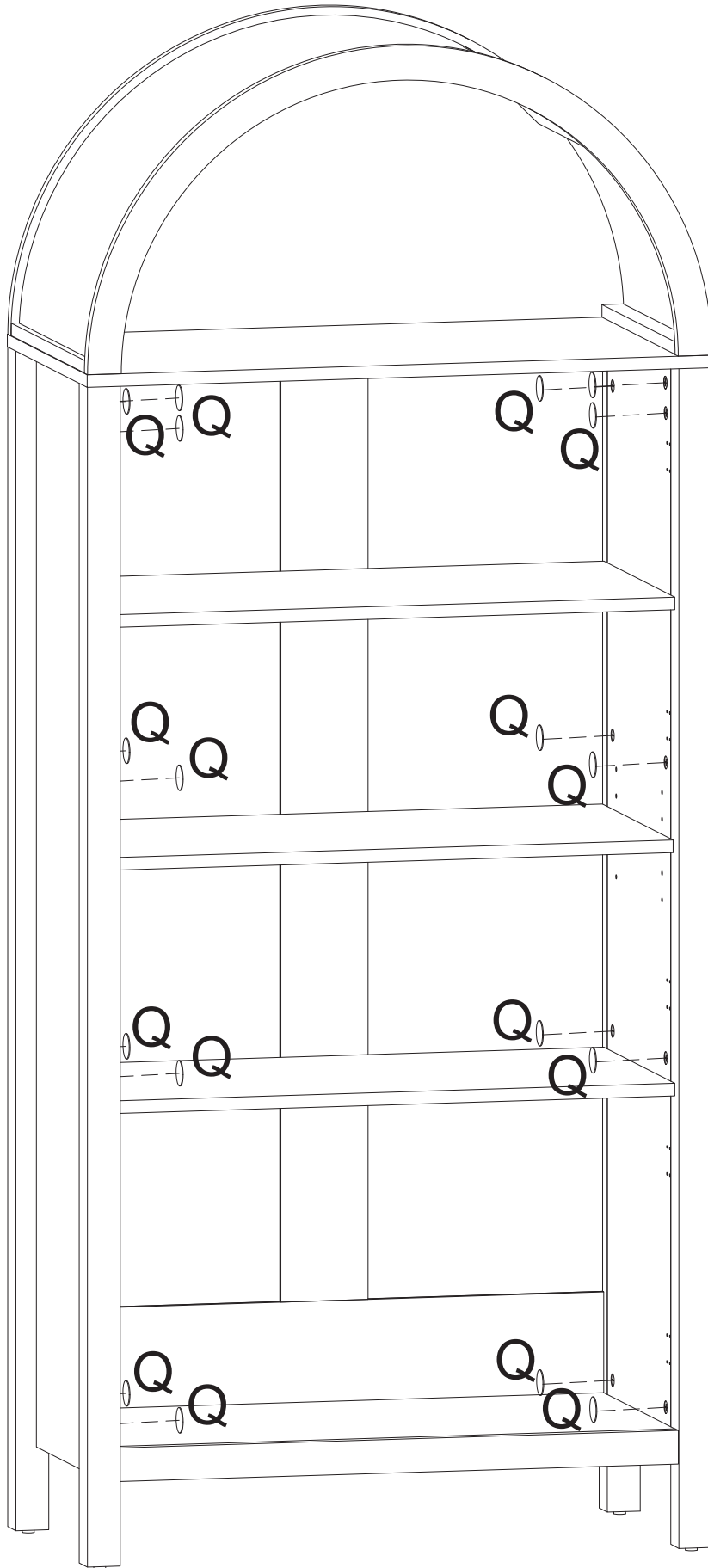
NOTE: Please insert #22 boards before installing the door.

<b>E</b>

<b>X4</b>

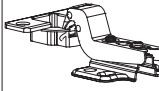

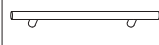
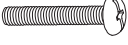


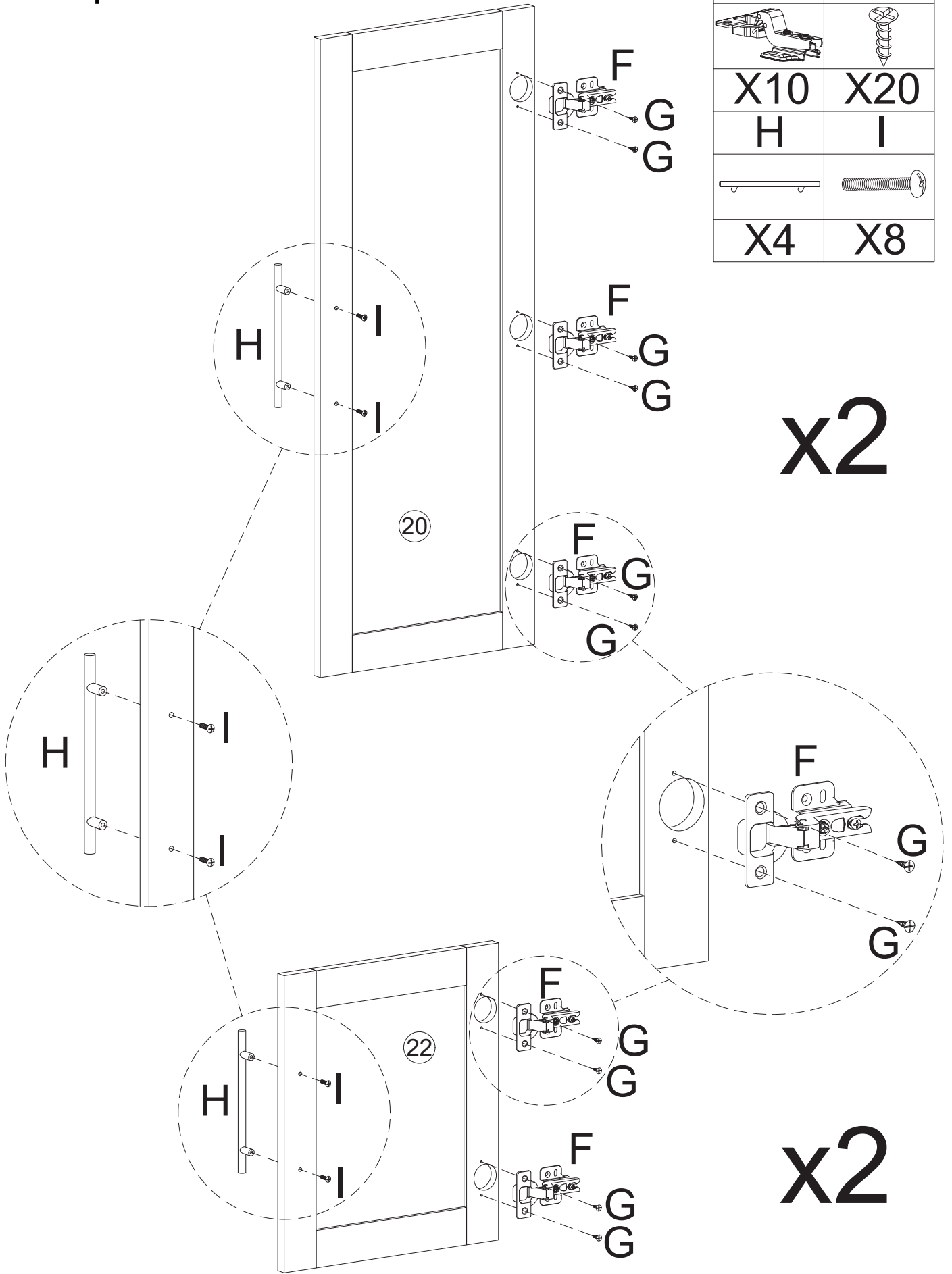
# Step 22

Q
○
X20



# Step 23

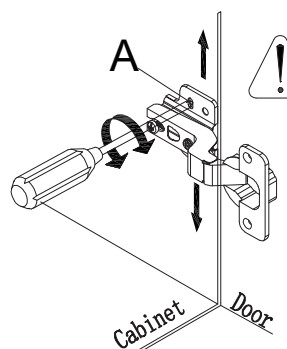
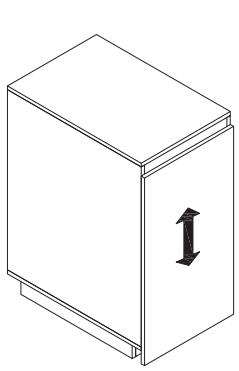
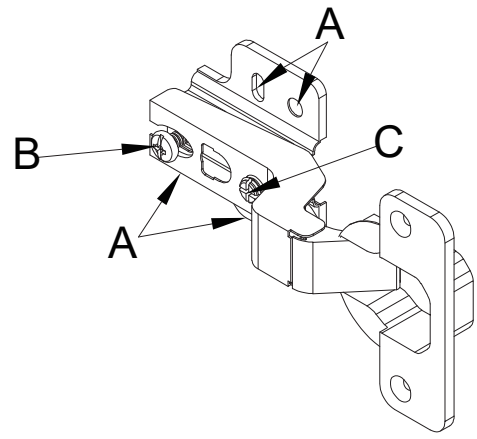
F	G
	
X10	X20
H	I
	
X4	X8



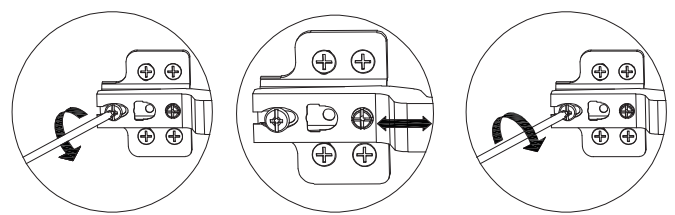
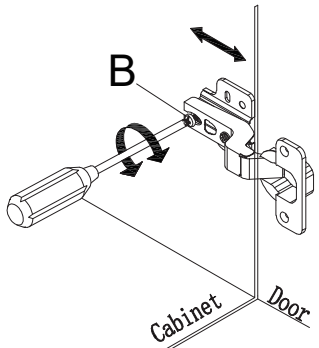
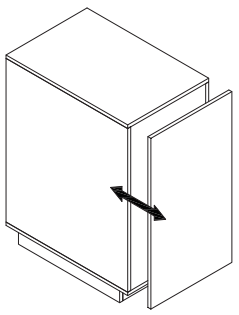
x2

x2

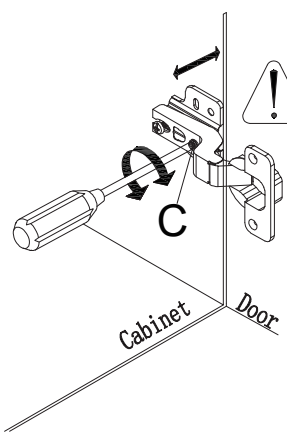
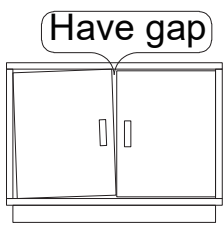
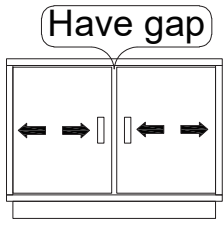
**Step 24** YOU WILL USE HINGE ADJUSTMENT INSTRUCTION ON THIS PAGE FOR THE NEXT STEP.



**!** If you find a large gap above or below the door.  
 To adjust the vertical height.  
 Loosen the four screws "A" on both hinges. Two of them are usually in slotted holes which allows you to adjust up or down by a few mm. Then tighten back up.




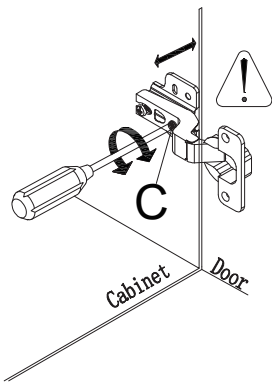
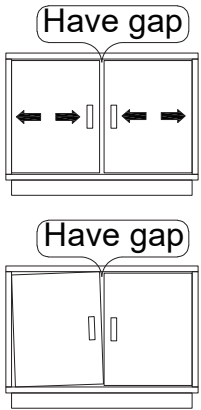
**!** If you find the door is too protruding or too inside.  
 To adjust depth.  
 Loosen screw "B" on both hinges and move the door to suit. If the door doesn't move, turn screw "C" on both hinges 1-2 turns and try again. Finally, tighten both screw "B" and reset both screw "C".



**!** If you find a large gap between or beside the doors. Don't worry, it's not the problem with product.  
 To adjust side ways.  
 Turn screw "C" clockwise or counterclockwise on both hinges until the door is in the desired position.

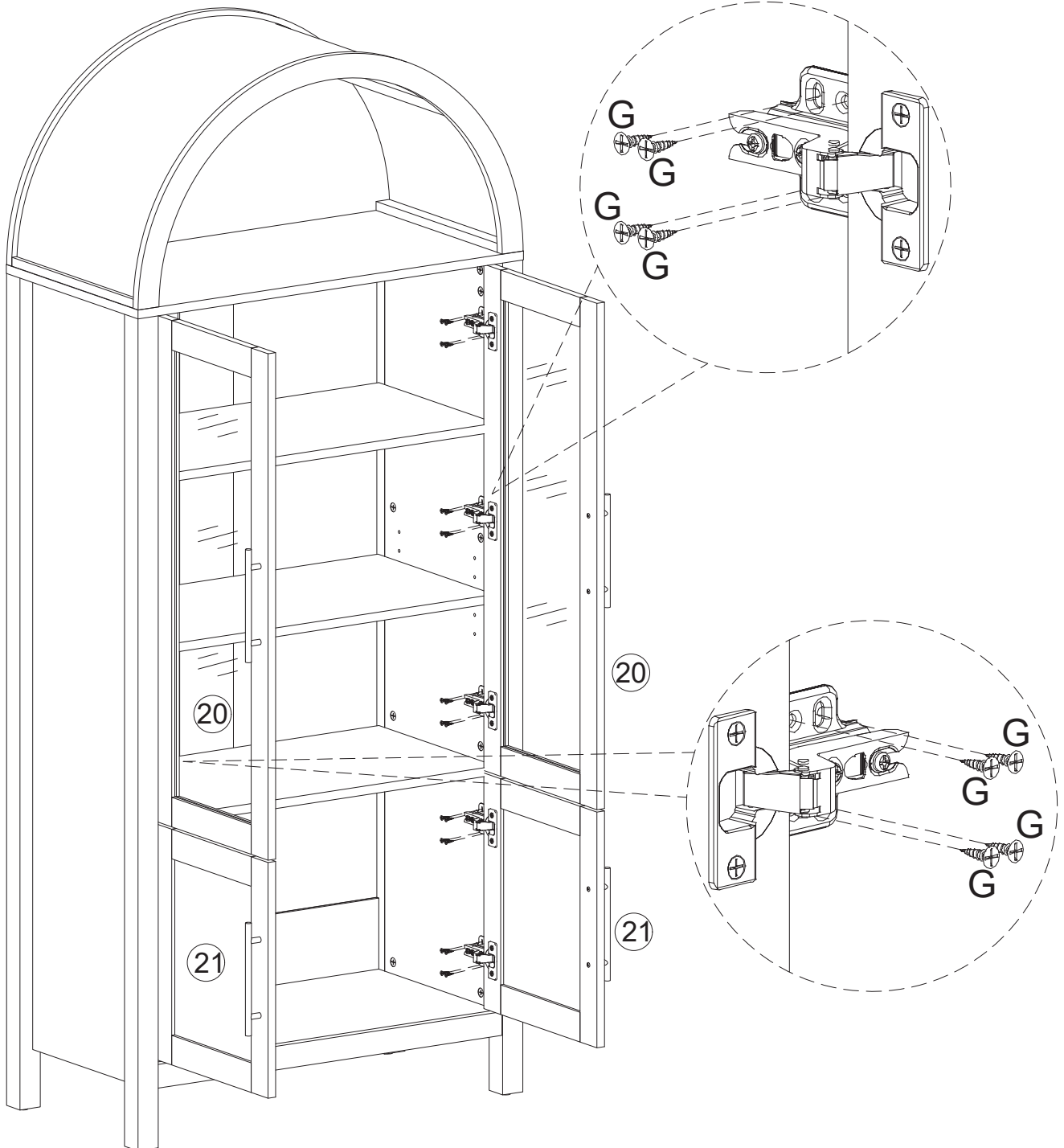
# Step 25

G

X40





**If you find a large gap between or beside the doors. Don't worry, it's not the problem with product.**

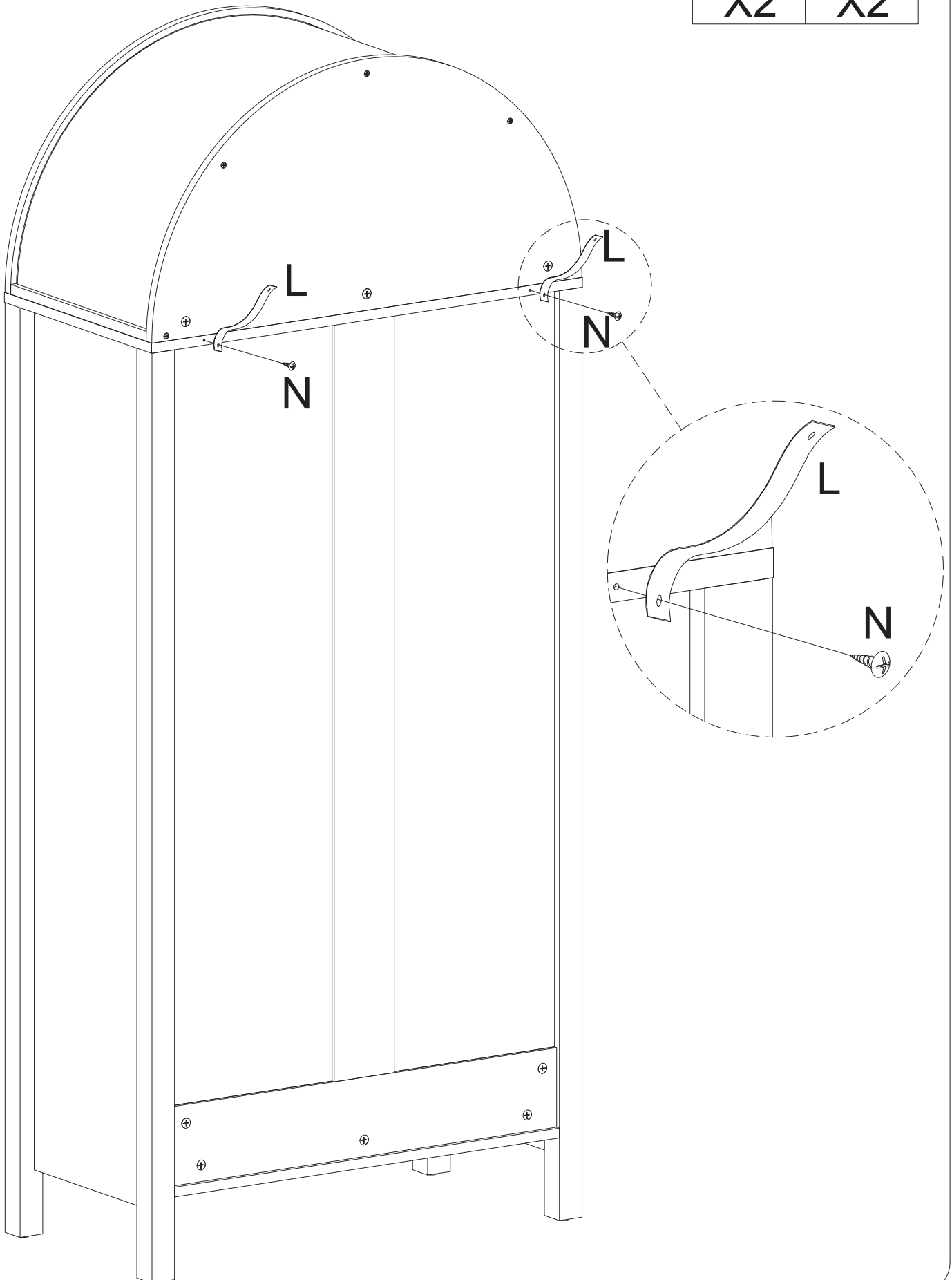
To adjust side ways.  
Turn screw "C" clockwise or counterclockwise on both hinges until the door is in the desired position.





# Step 26

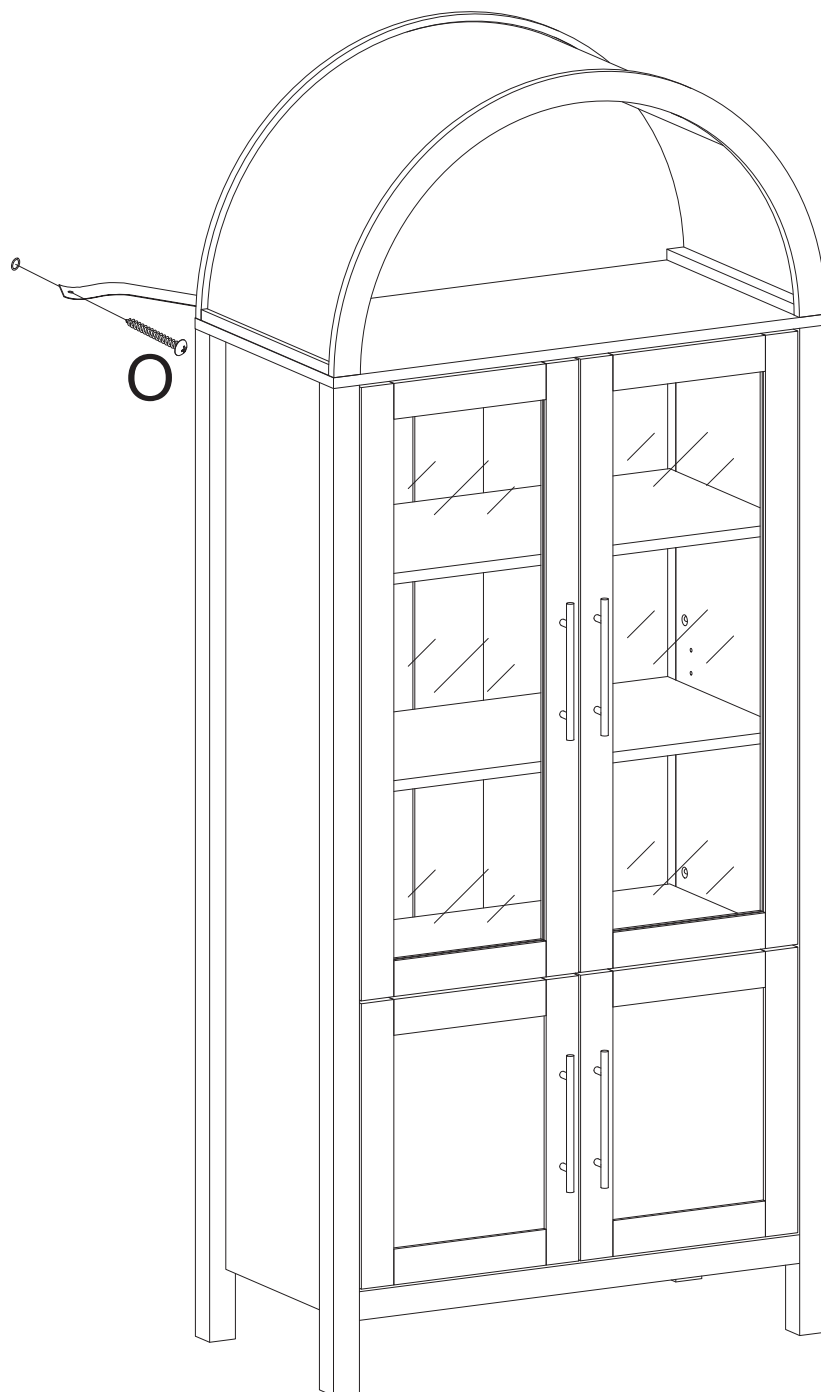
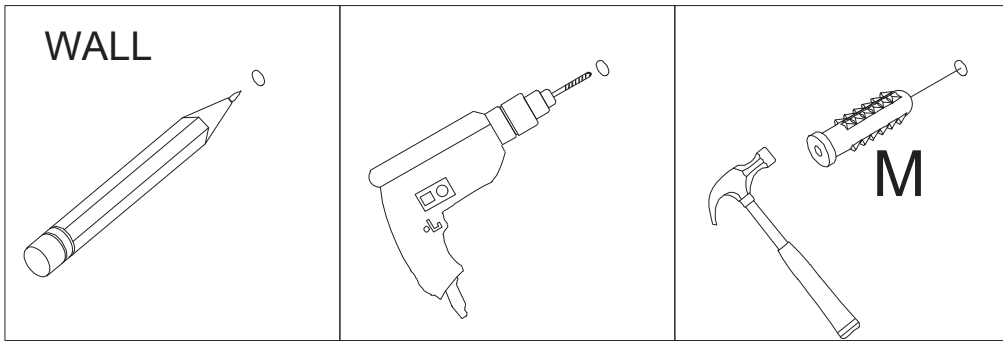
NOTE: To reduce the risk of furniture tipover.  
ALWAYS install tipover restraint provided.

L	N
	
X2	X2



# Step 27

M	O
	
X2	X2



## **WARNING**



**Children have died from furniture tipover. To reduce the risk of furniture tipover:**

- ALWAYS install anti-tip device provided.
- NEVER put a TV on this product.
- NEVER allow children to stand, climb or hang on any drawers, doors, or shelves.
- NEVER open more than one drawer at a time.
- Place heaviest items in the lowest drawers.



*this is a permanent label.  
Do not remove!*