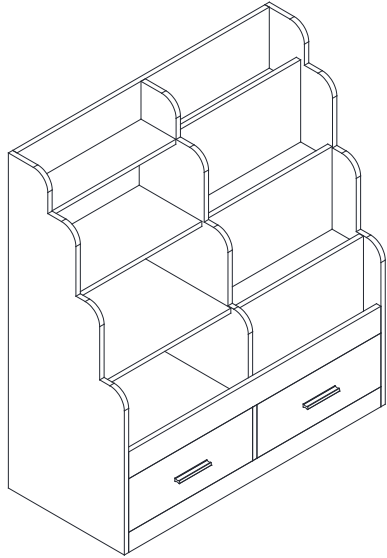
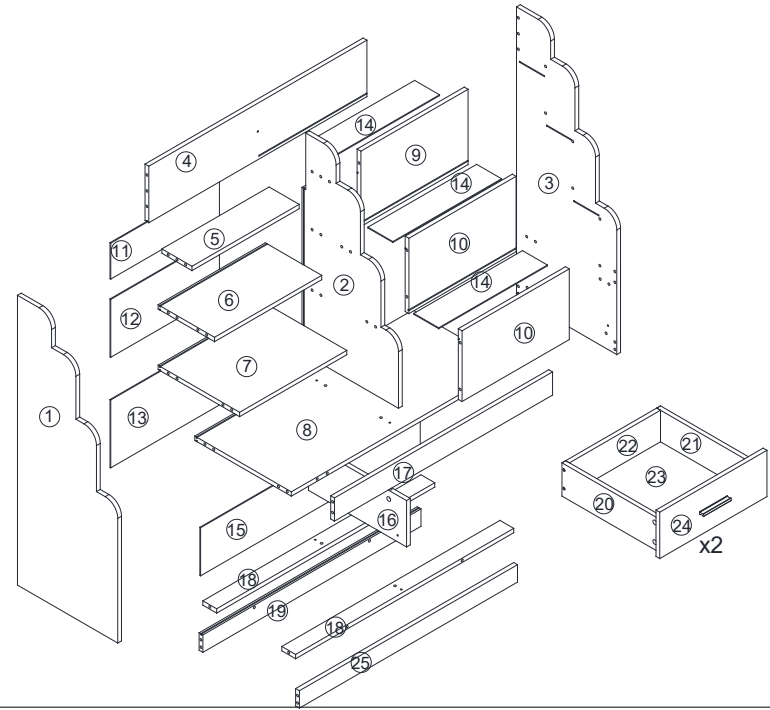


# ASSEMBLY INSTRUCTION

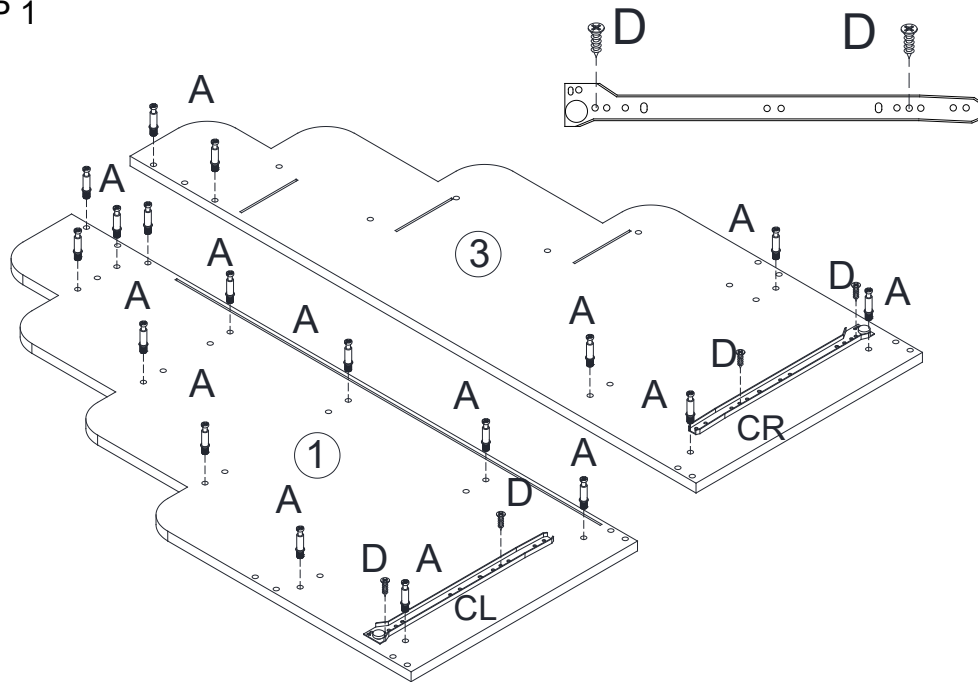


CL x 3		
DL x 3		
CR x 3		
DR x 3		
		4x12
		K x 2

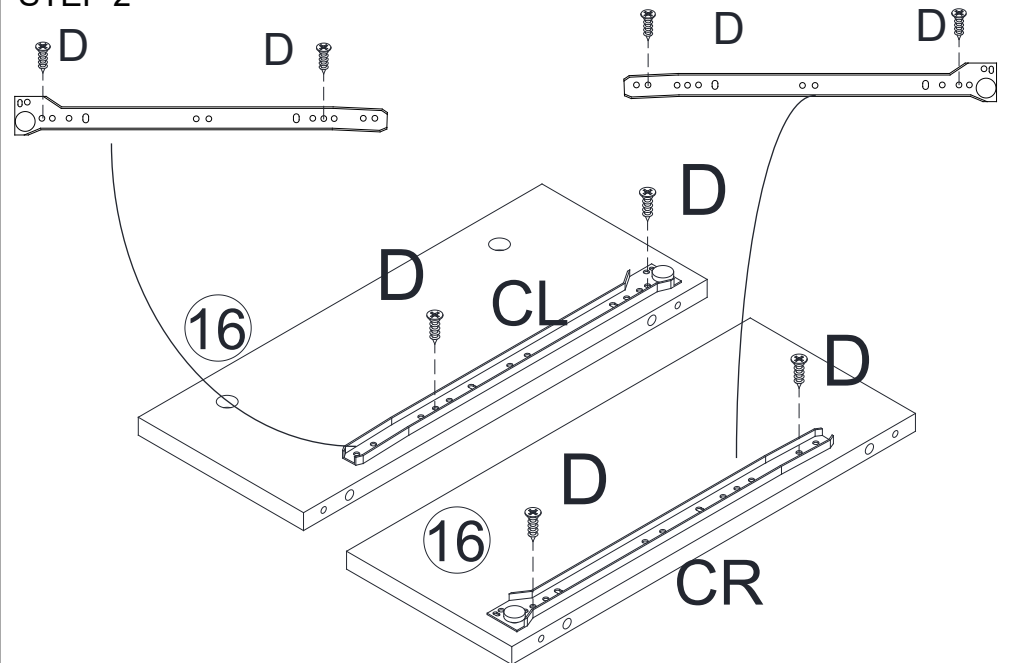


A x 40	B x 40	C x 46	3x12 D x 16	4x35 E x 13	F x 2	G x 2	4x25 H x 4	J x 2

## STEP 1

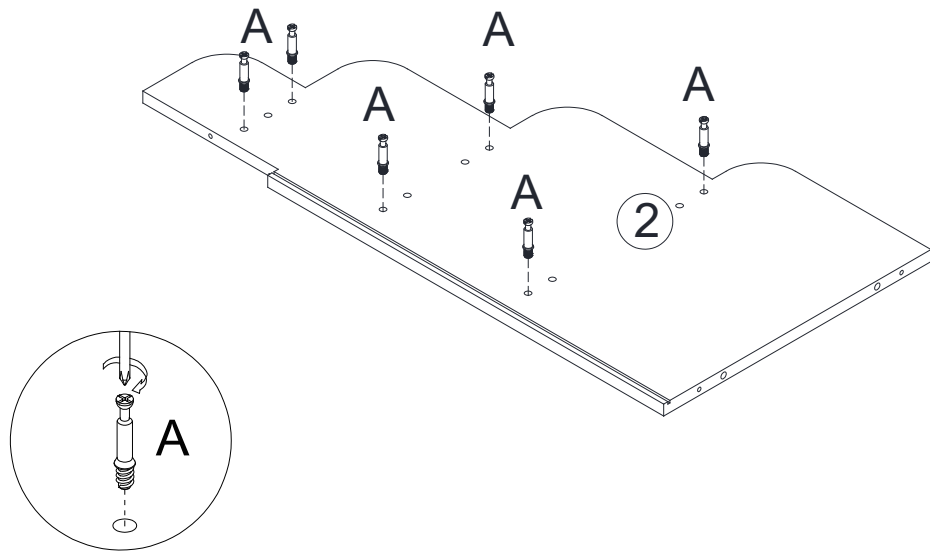


## STEP 2

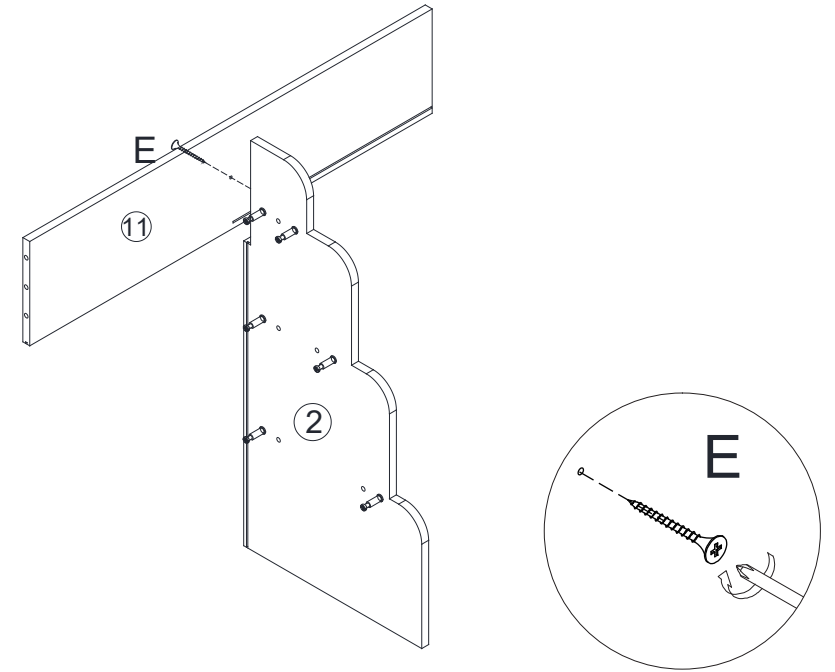


# ASSEMBLY INSTRUCTION

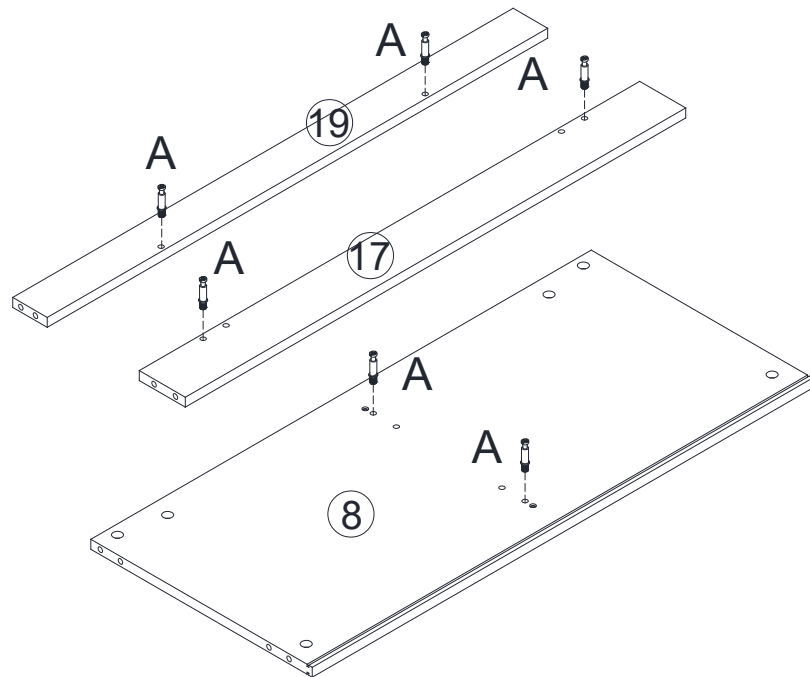
STEP 3



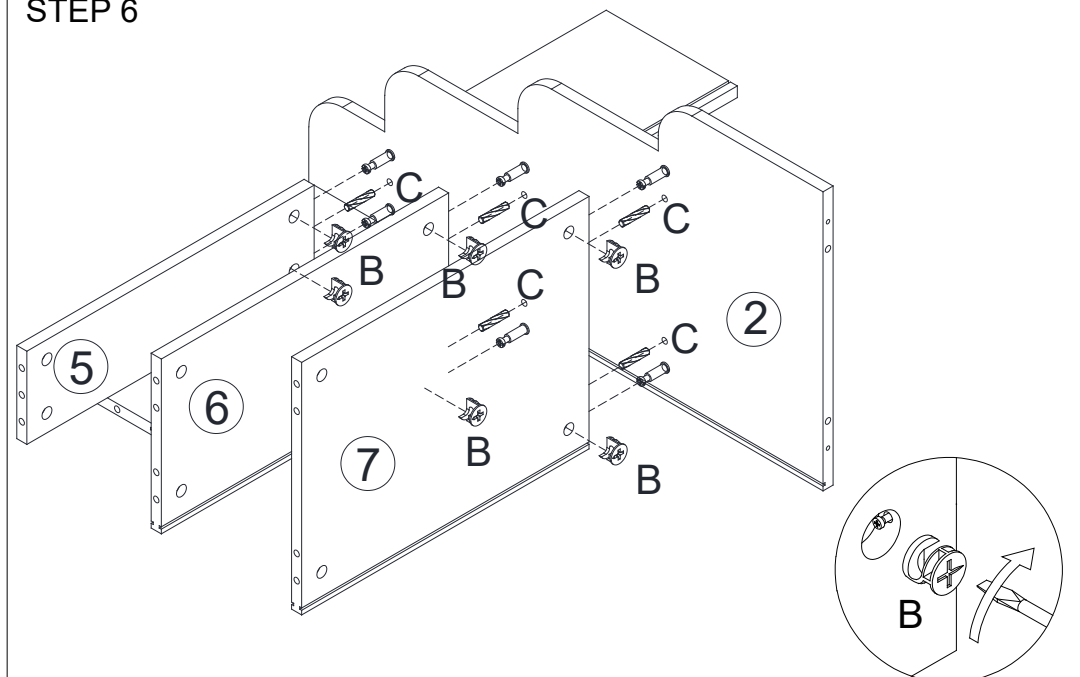
STEP 4



STEP 5

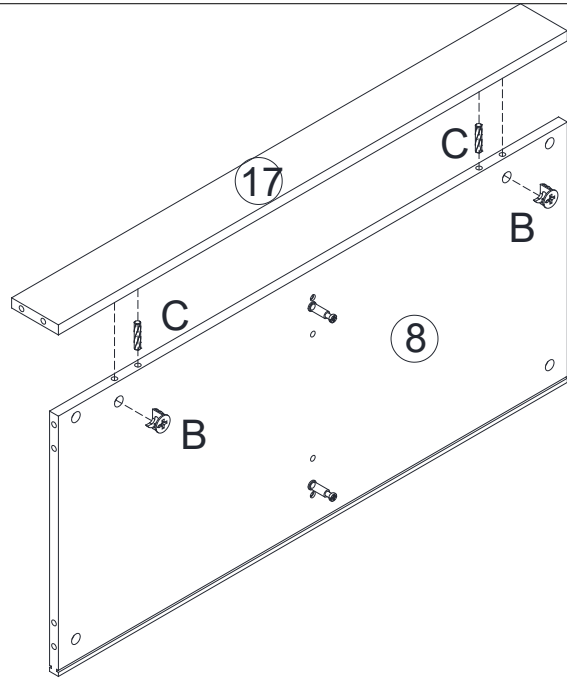


STEP 6

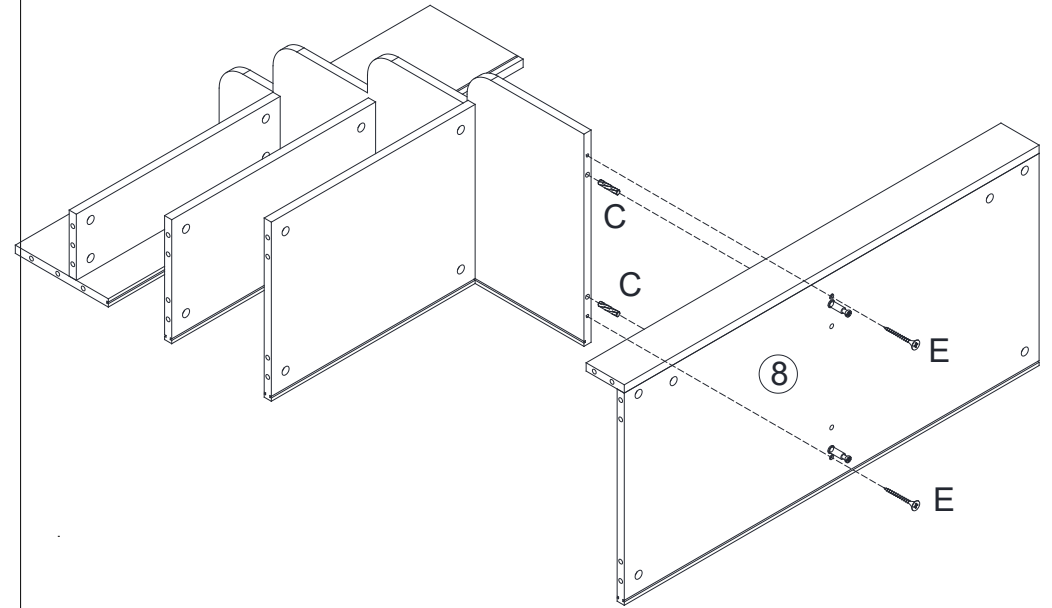


# ASSEMBLY INSTRUCTION

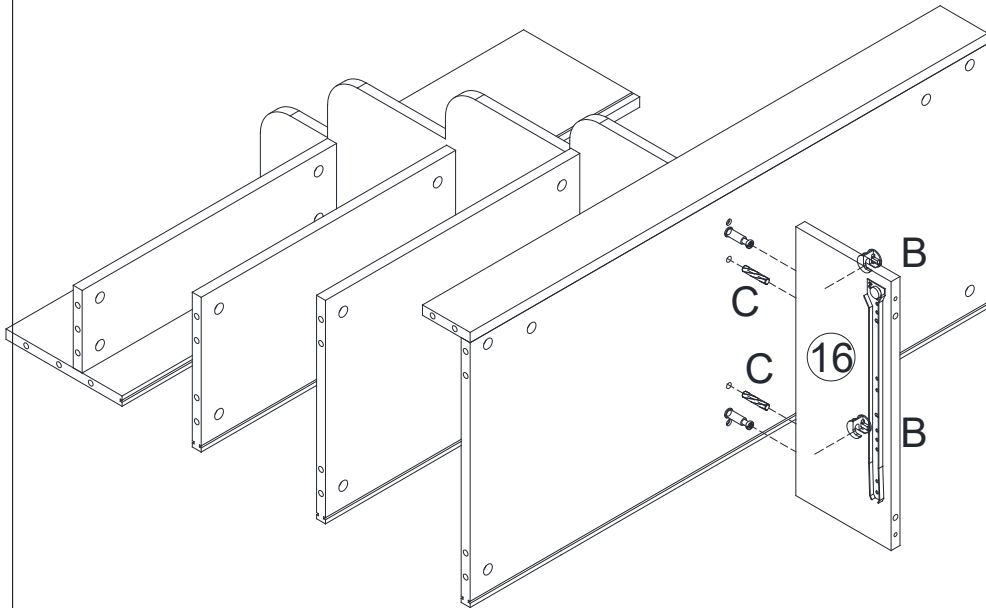
STEP 7



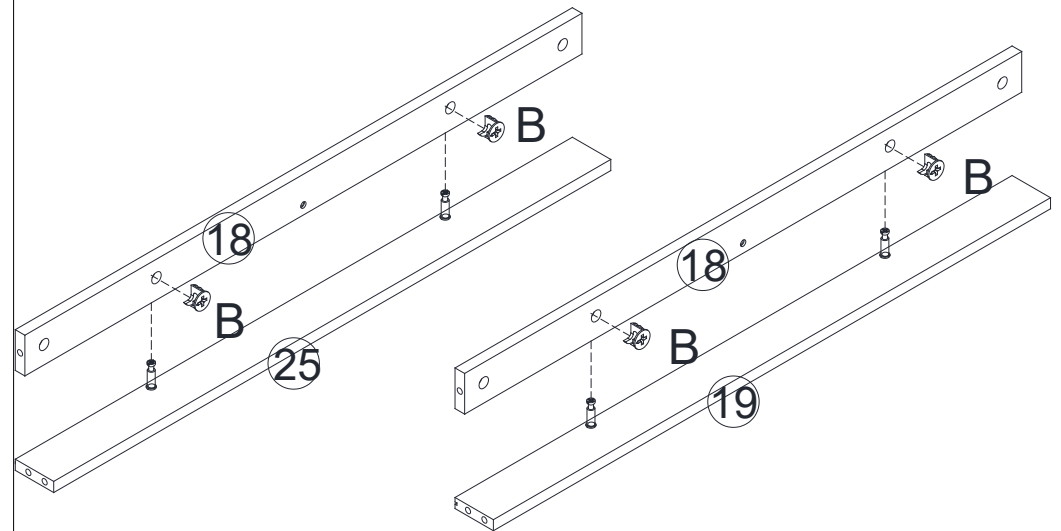
STEP 8



STEP 9

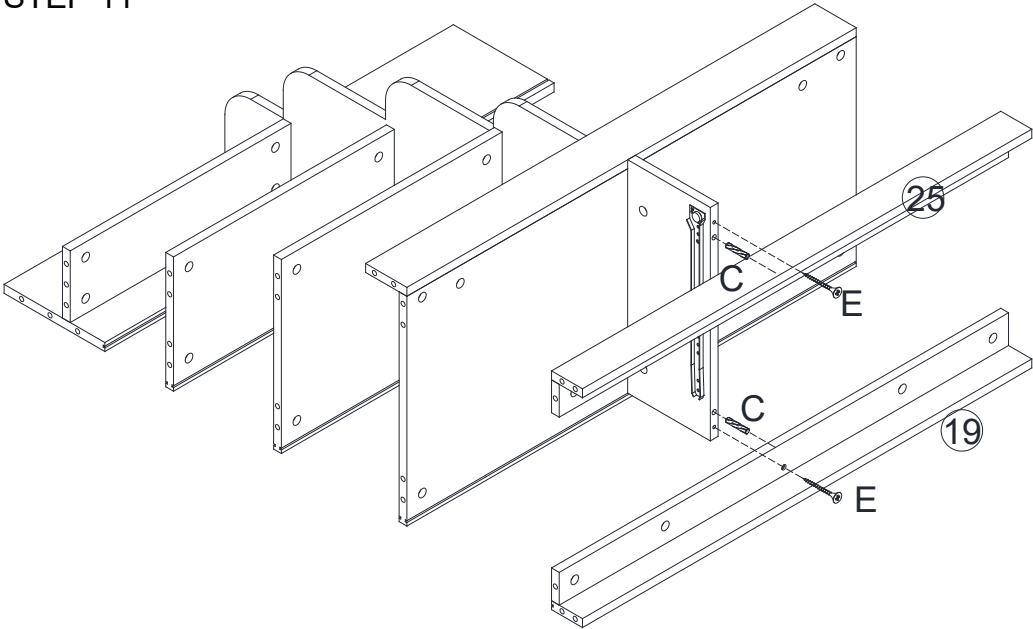


STEP 10

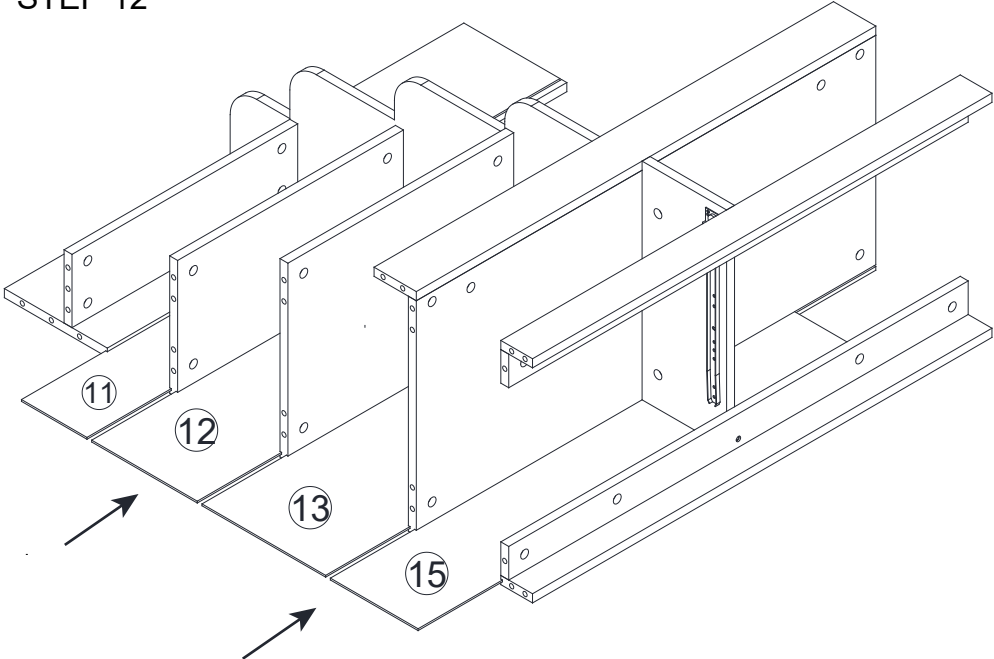


# ASSEMBLY INSTRUCTION

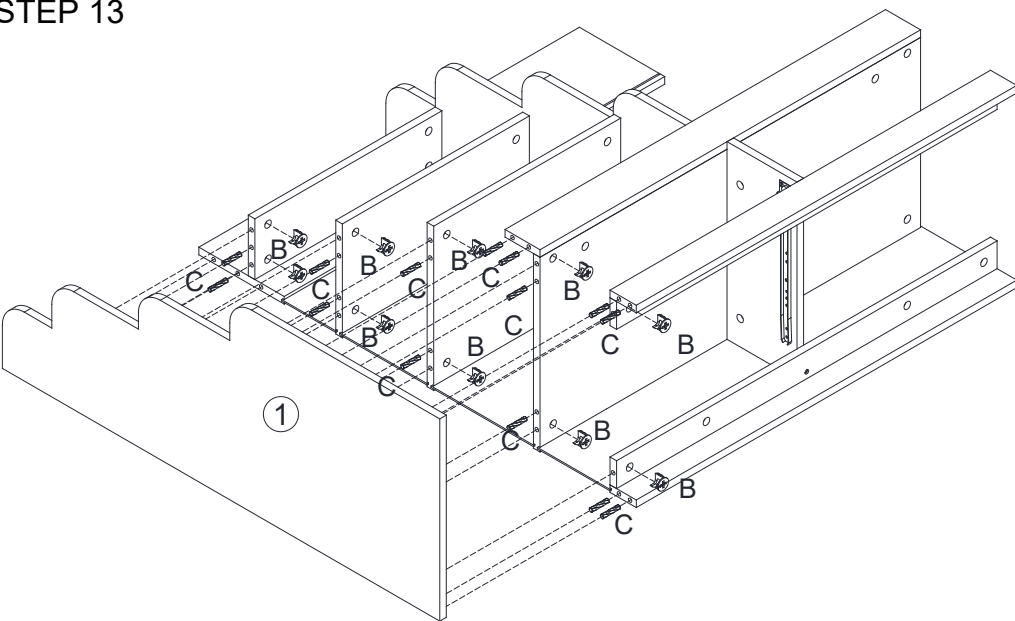
STEP 11



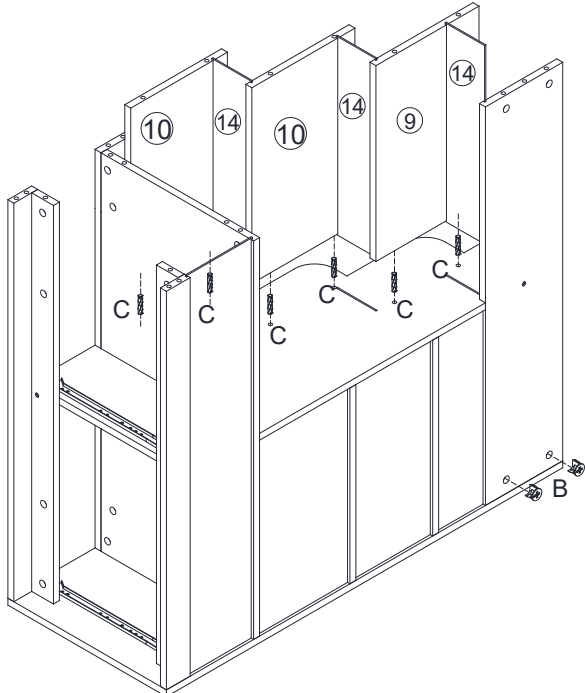
STEP 12



STEP 13

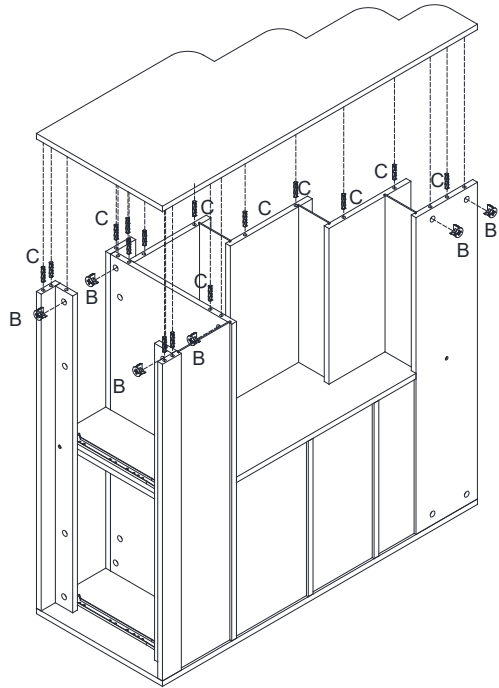


STEP 14

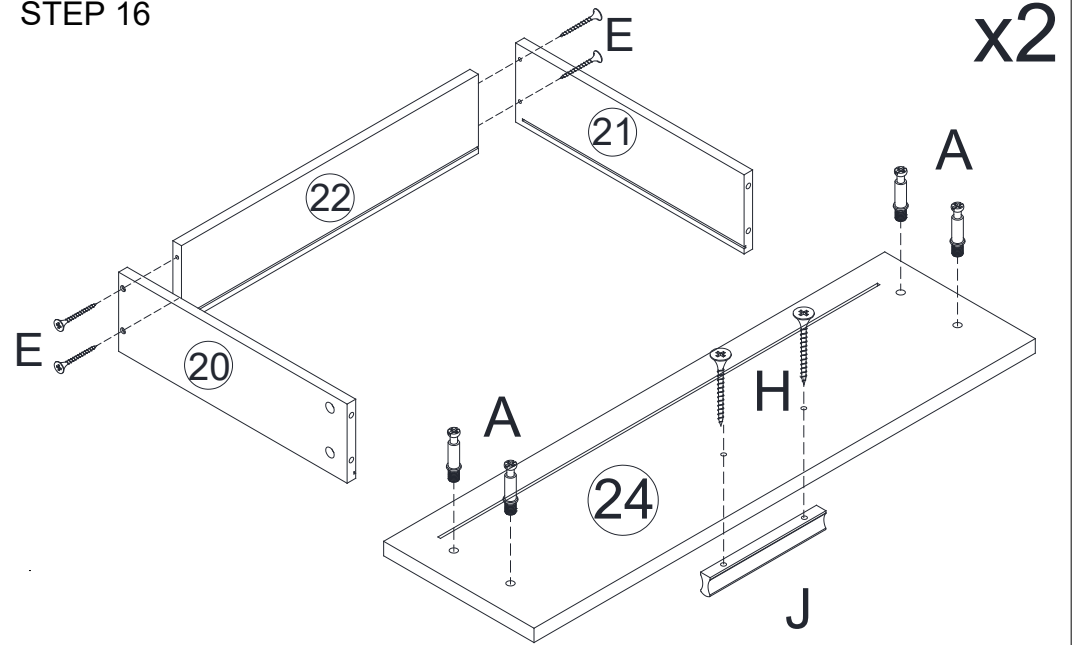


# ASSEMBLY INSTRUCTION

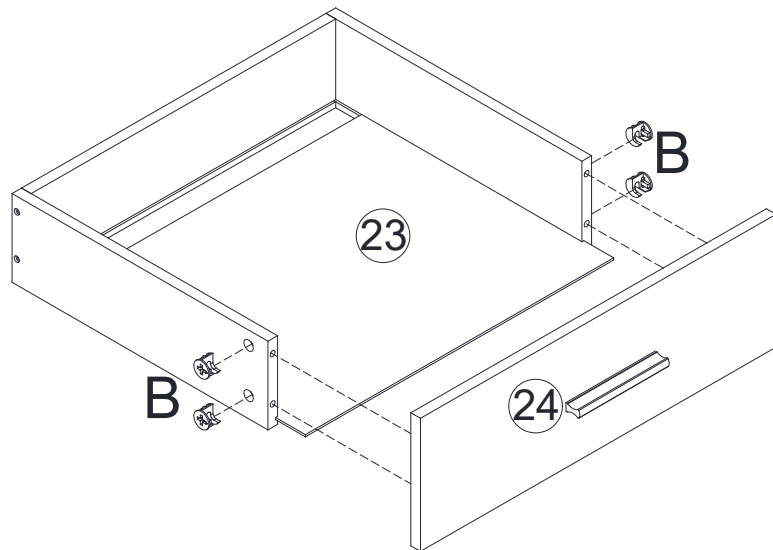
STEP 15



STEP 16

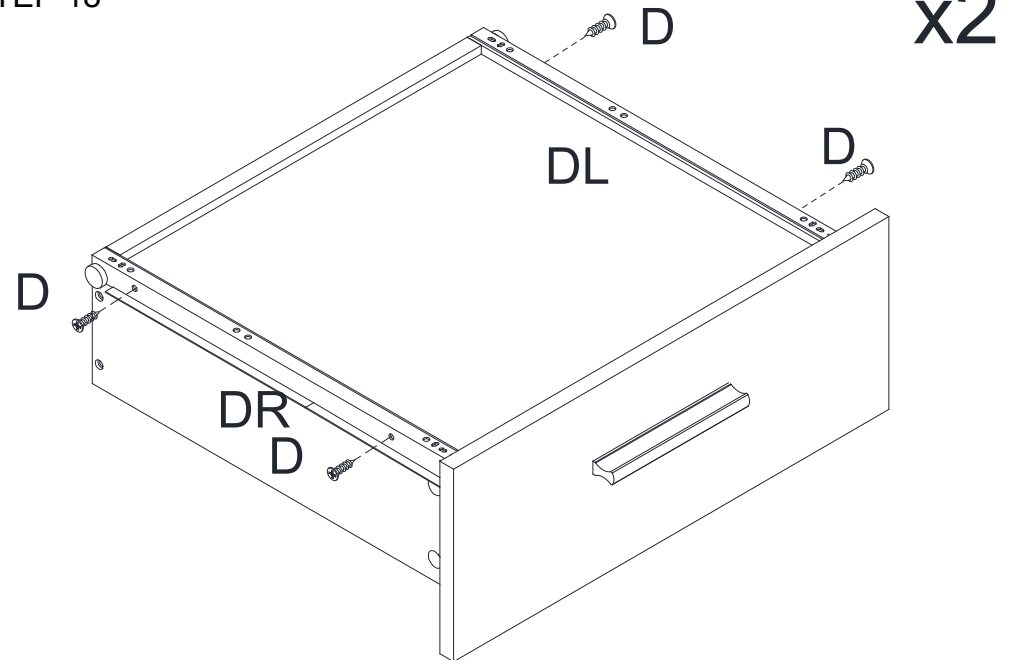


STEP 17



x2

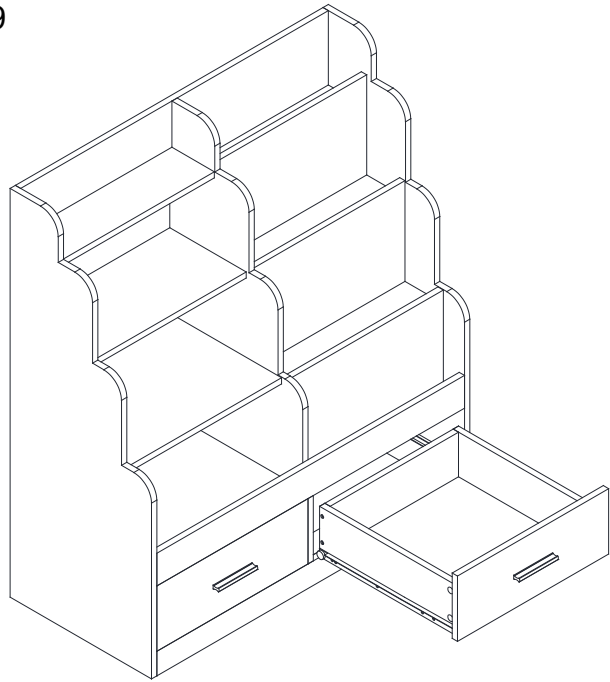
STEP 18



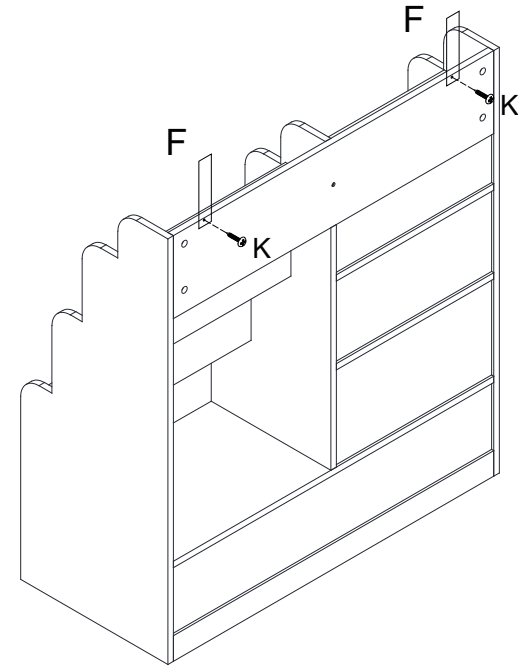
x2

# ASSEMBLY INSTRUCTION

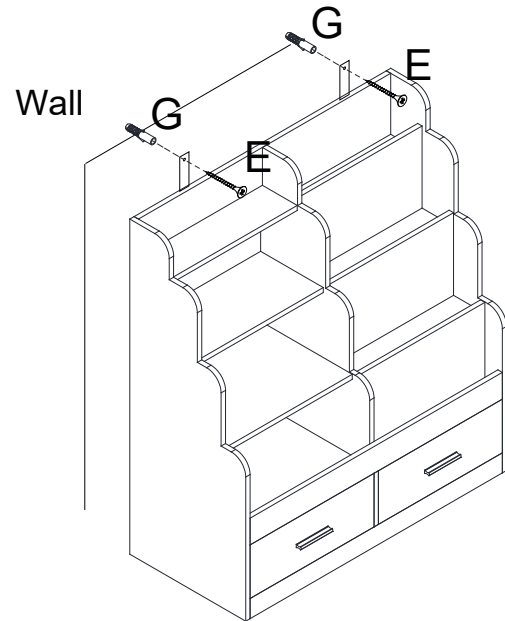
STEP 19



STEP 20



STEP 21



STEP 22