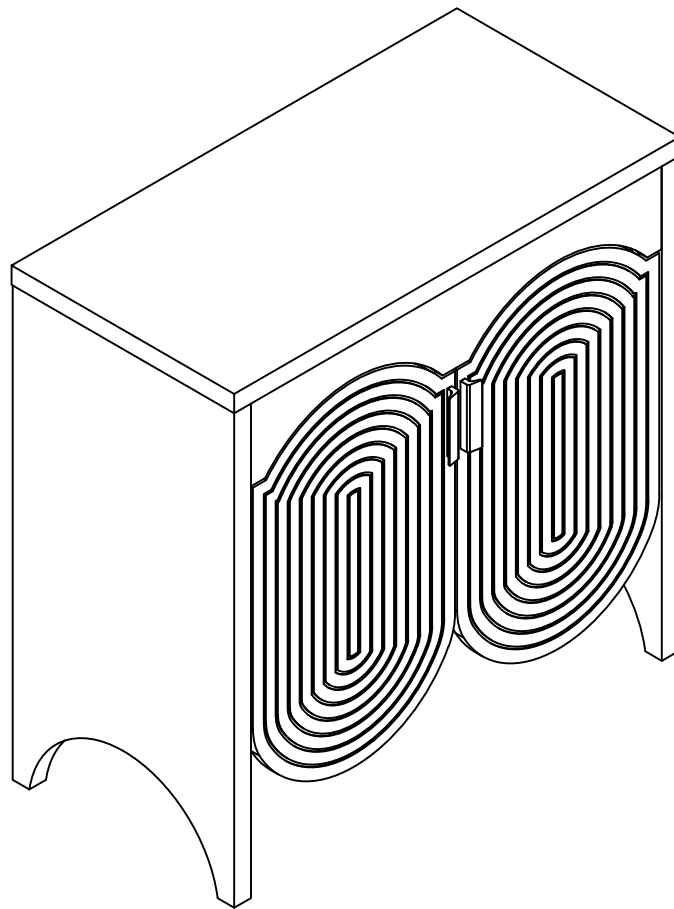


# Installation Instruction



# Assembling

---

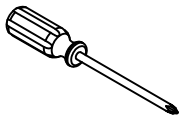
Estimated time for assembly



**45 : 00**

## What you need

- Use the packaging carton as a working surface to prevent product damage during assembly
- Phillips head screwdriver



## Weight Limitation

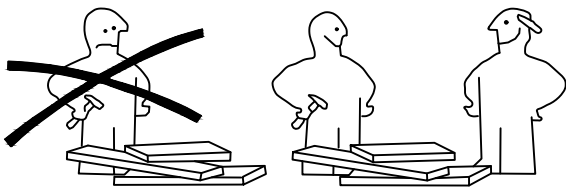


**100**

lbs table top

**| 35**

lbs per



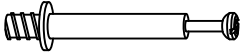
# What' included

---

Code	Description	Qty
A	Cam Bolt M6X35MM	16
B	Cam Lock 15X10MM	16
C	Wooden Dowel M8X30MM	12
D	Screw M4X40MM	2
E	Screw M3.5X14MM	38
F	Shelf Holder	4
G	Nylon Strap	2
H	Shelf Holder	4
I	Cam Bolt M4X18MM	4
J	The back button	12
K	Anchor	2
L	EVA mat	4
M	Metal shake handhandle	2

# The Hardwares

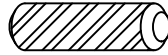
Ⓐ



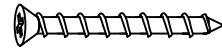
Ⓑ



Ⓒ



Ⓓ



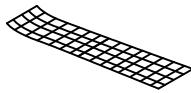
Ⓔ



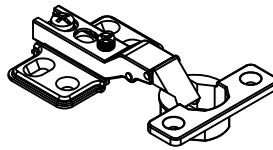
Ⓕ



Ⓖ



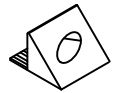
Ⓗ



Ⓘ



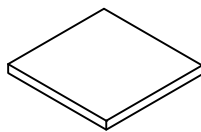
⓵



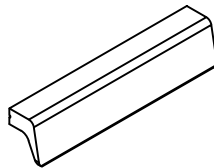
Ⓚ



Ⓛ



Ⓜ



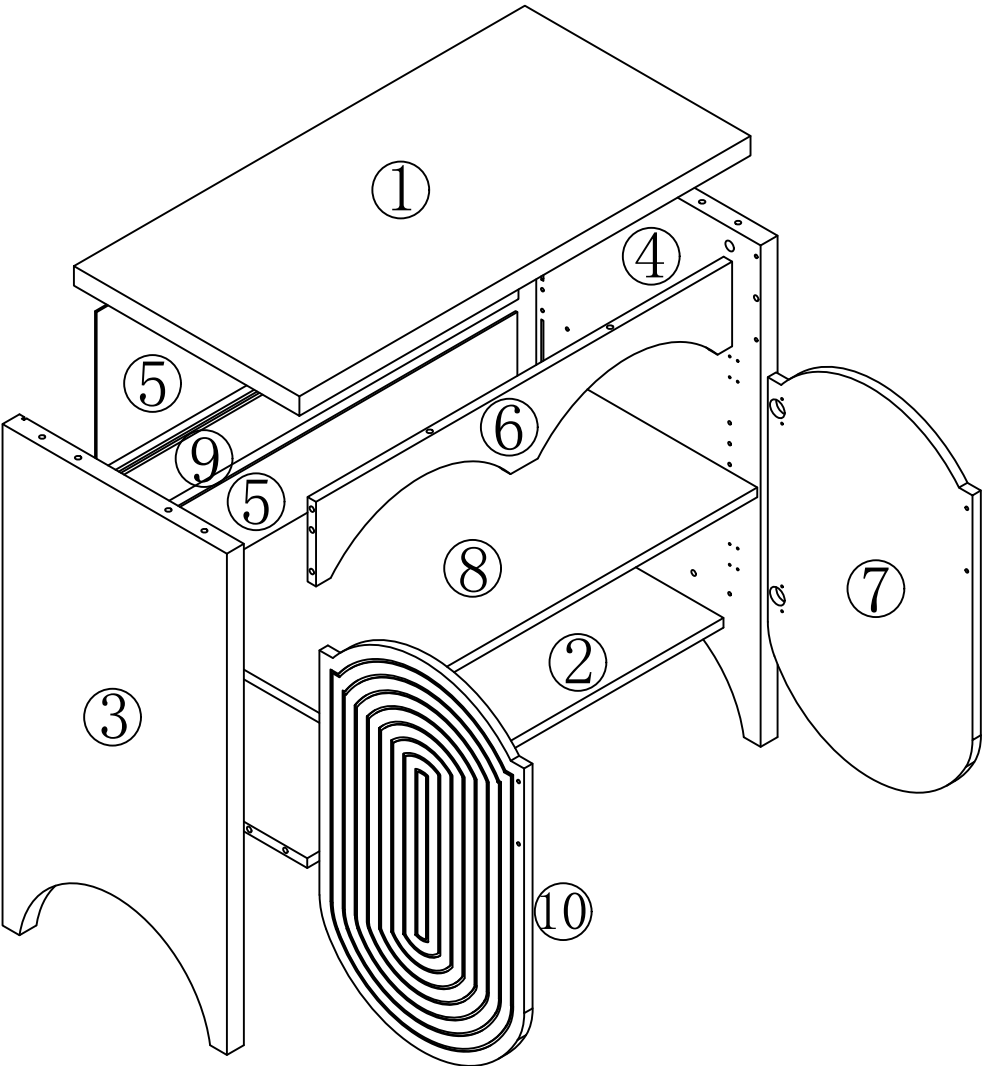
## IMPORTANT:

1. Do not tighten bolts / screws completely until all bolts / screws are lined up and inserted into holes.
2. Do not over tighten screws and bolts to avoid stripping
3. Please use hand tools to assemble this product. Do not use power tools.

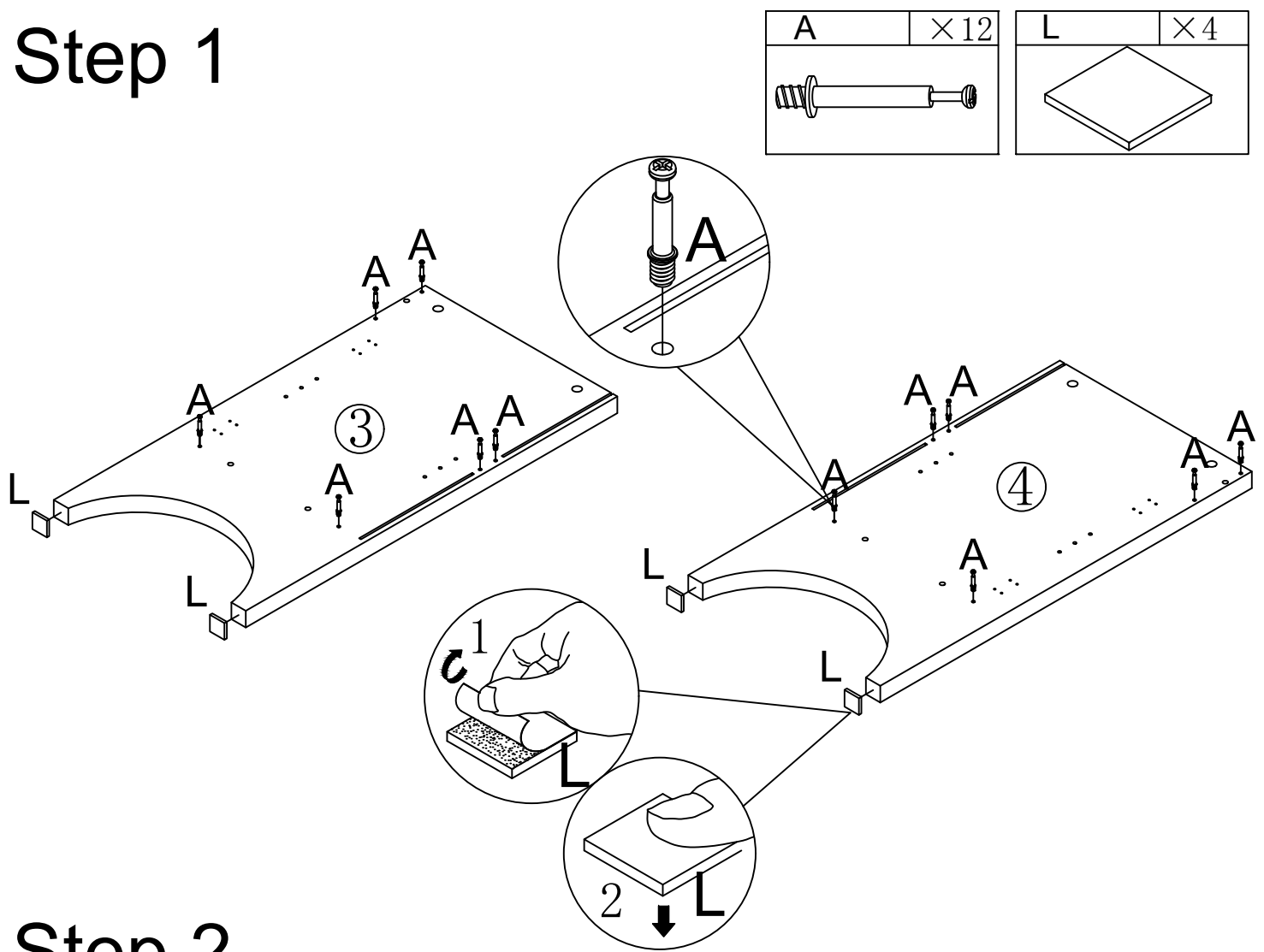
# Included Accessories

Code	Description	Qty
1	Cabinet Top	1
2	Bottom Panel	1
3	Left Side Panel	1
4	Right Side Panel	1
5	On the rear panell	2
6	Under the panel	1
7	Door leaf	1
8	Shelf	1
9	Back reinforcement plate	1
10	Crura medius	1

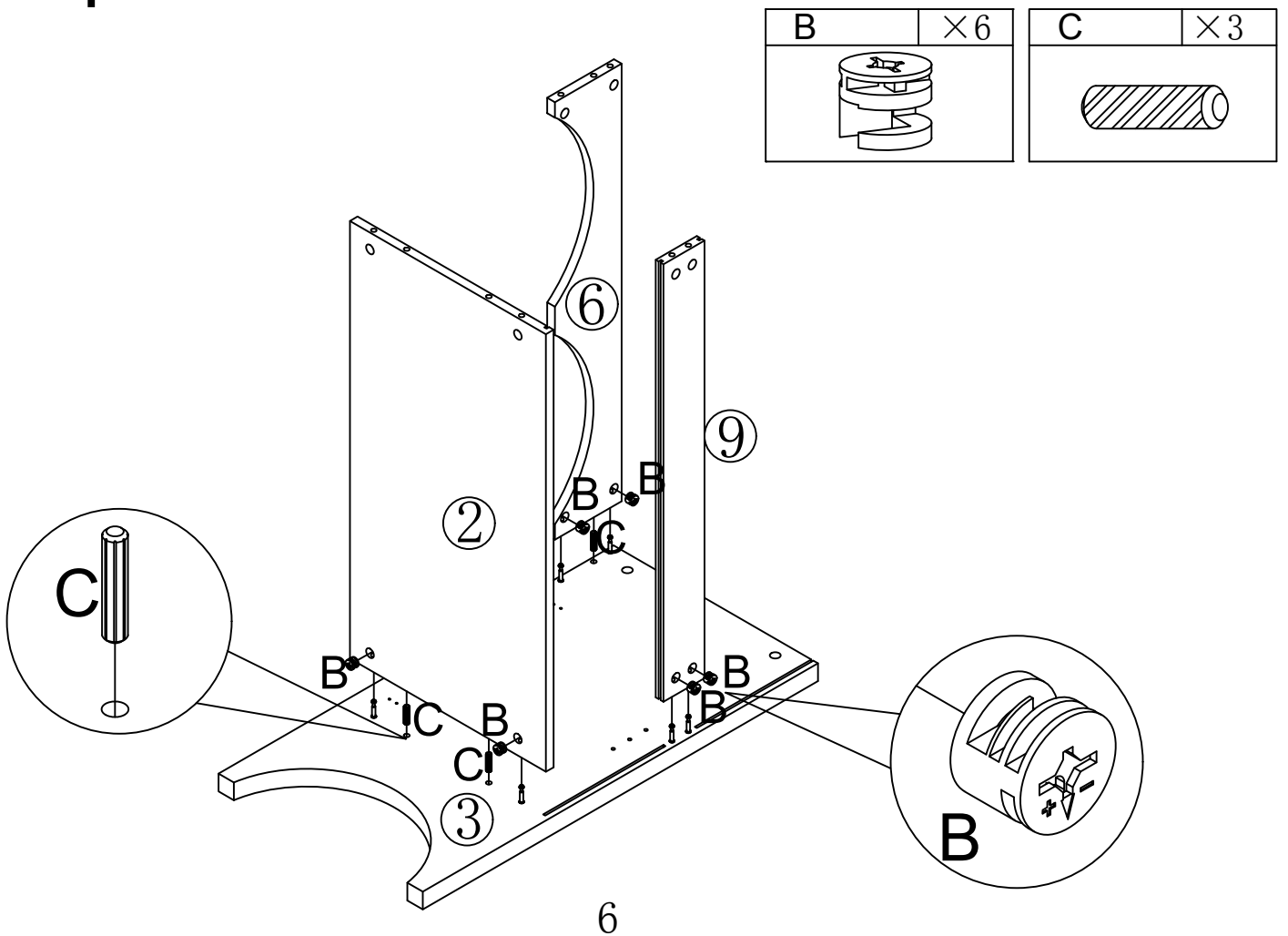
# The Accessoriess



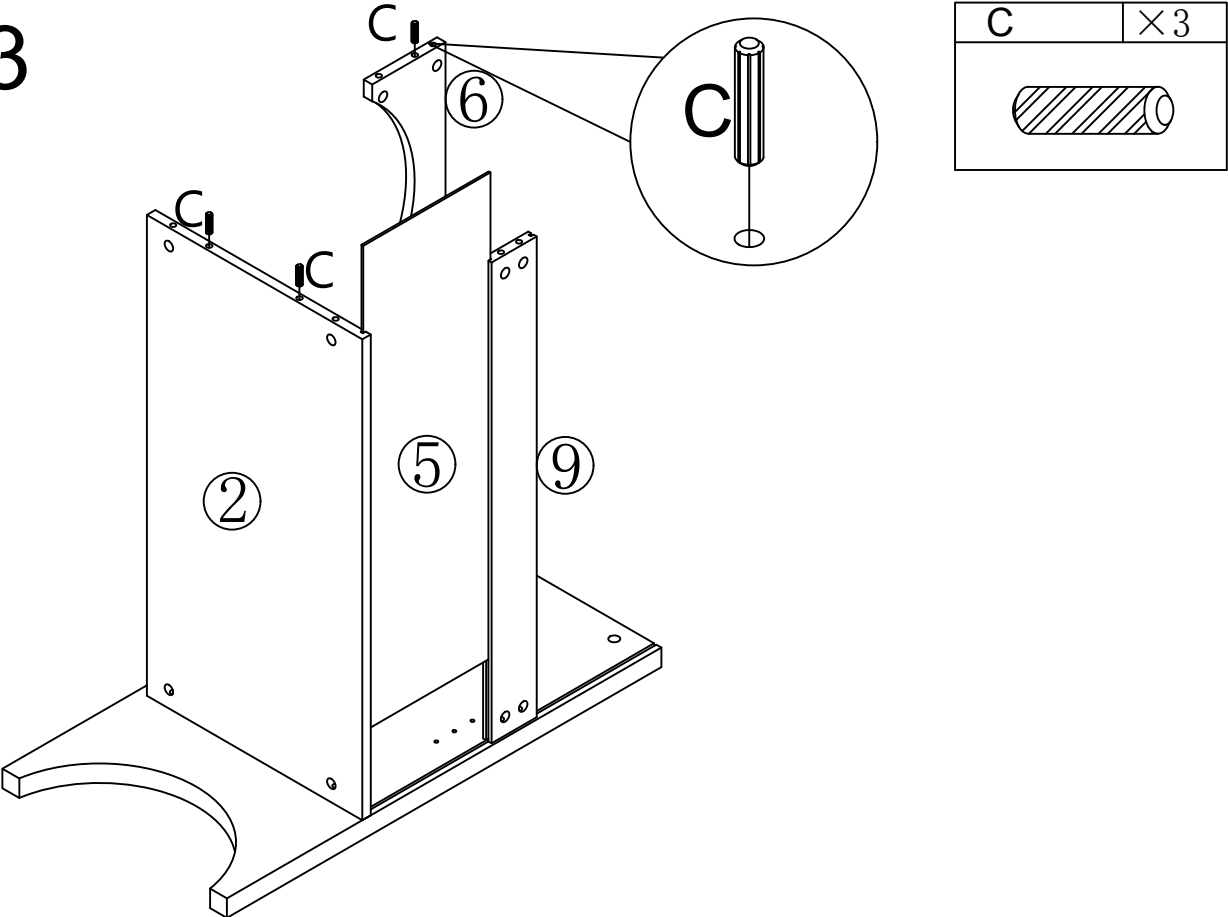
# Step 1



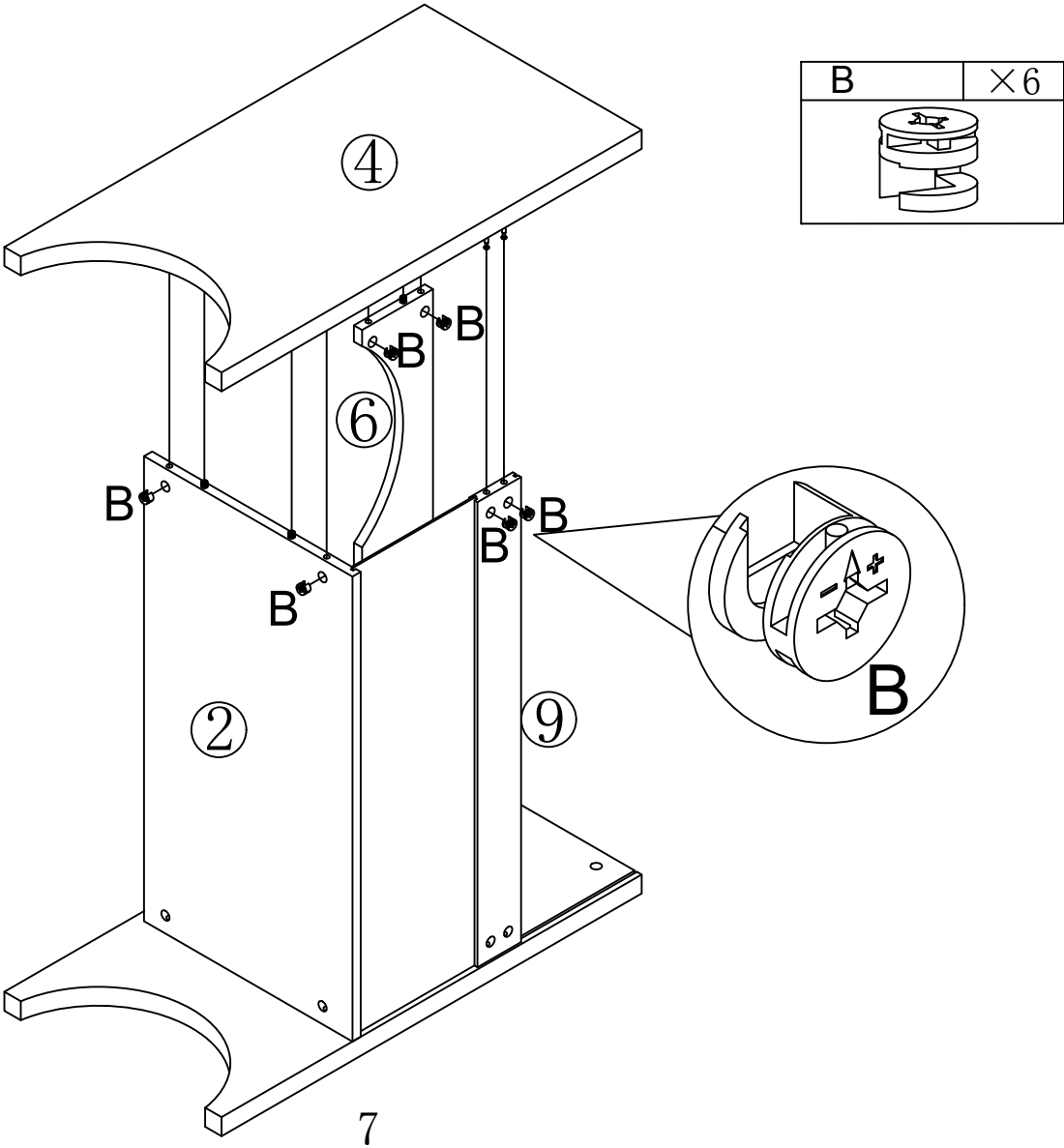
# Step 2



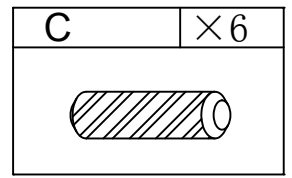
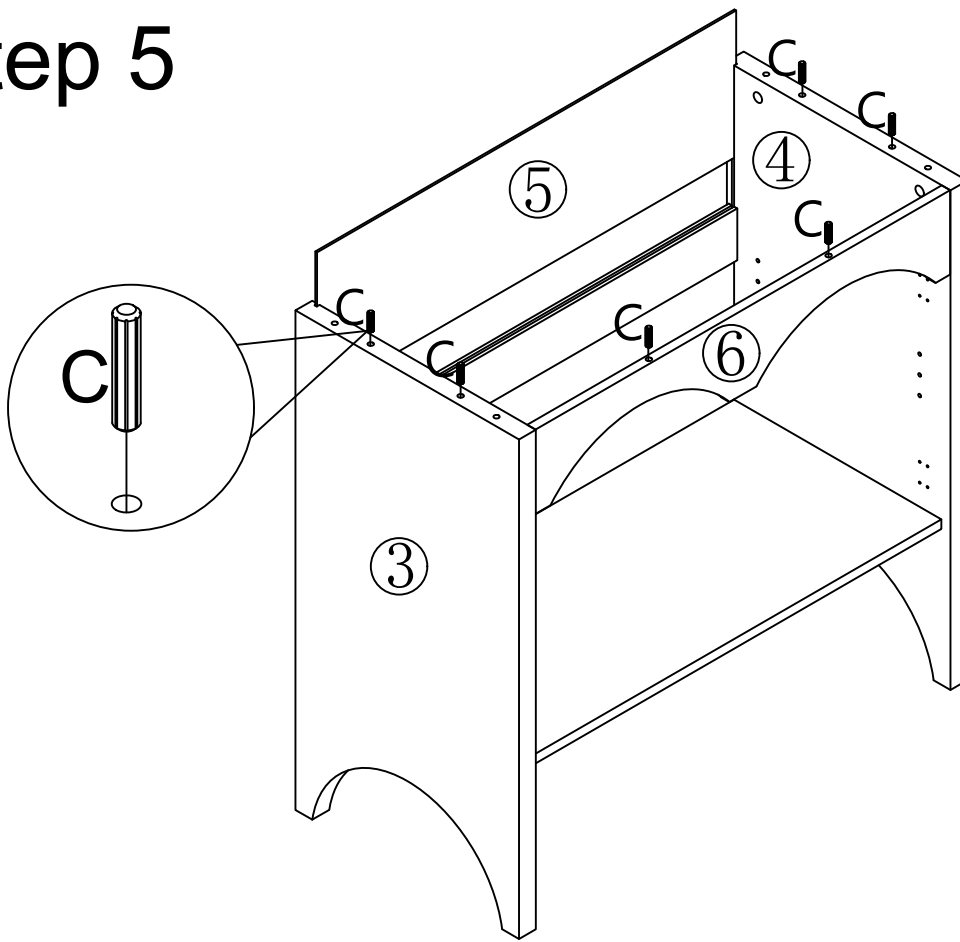
# Step 3



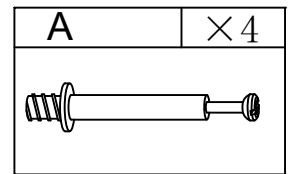
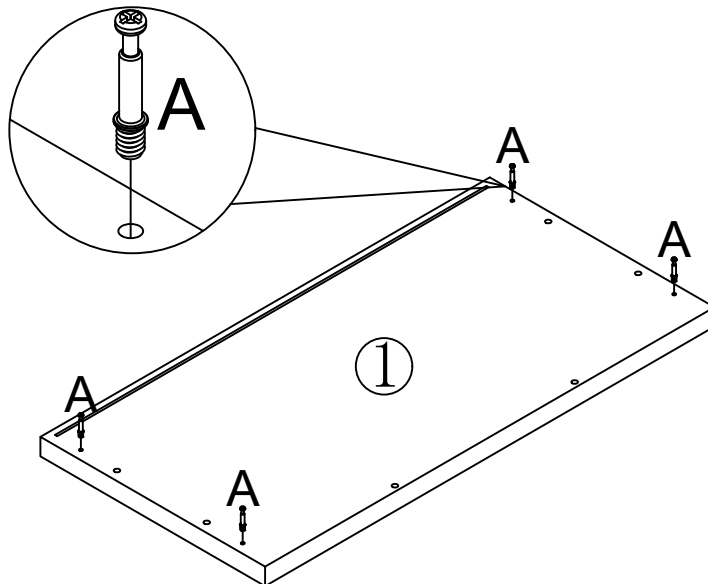
# Step 4



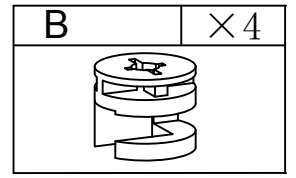
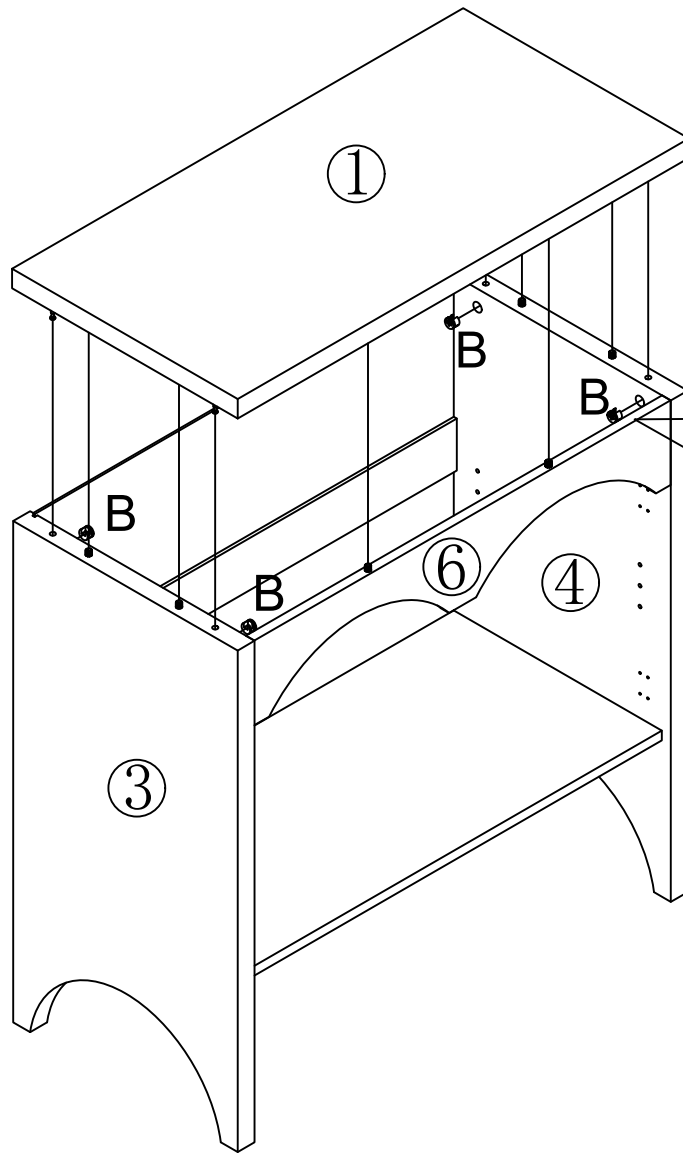
# Step 5



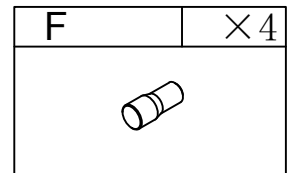
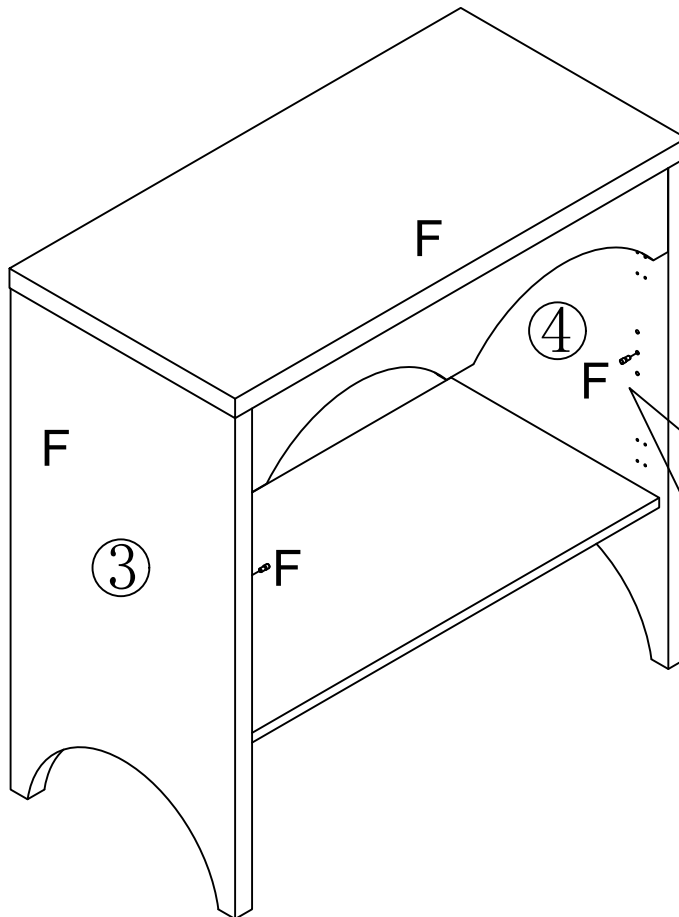
# Step 6



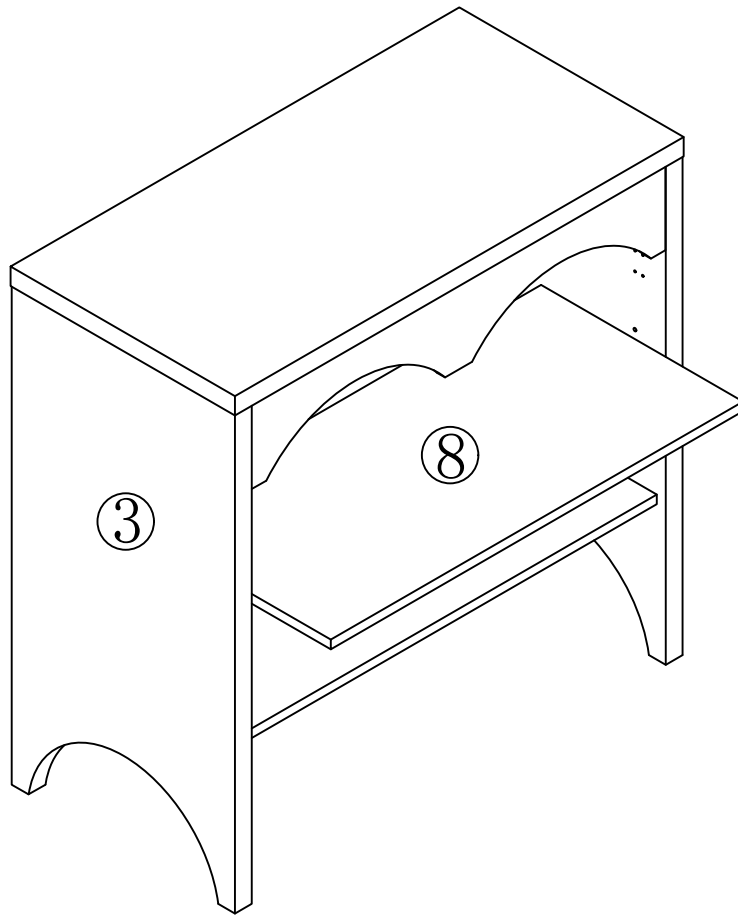
# Step 7



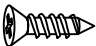

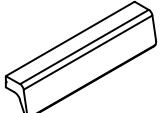
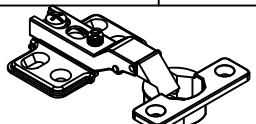
# Step 8

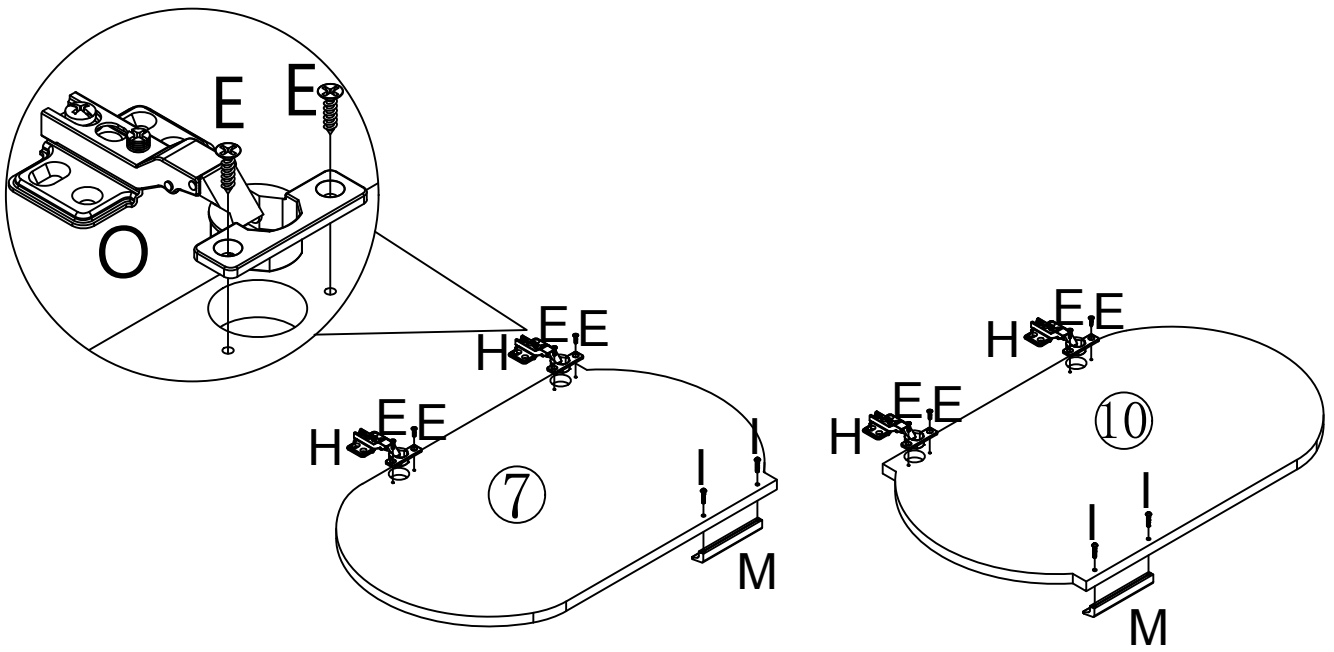


# Step 9




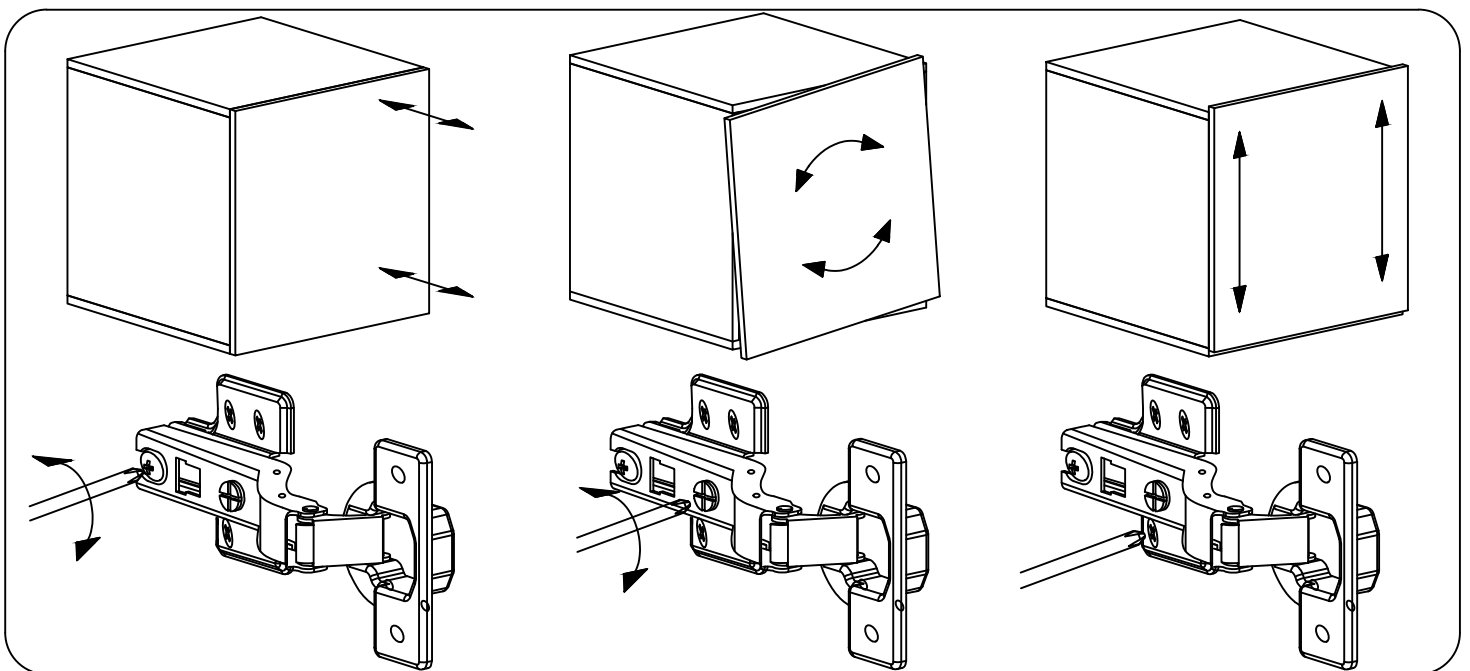
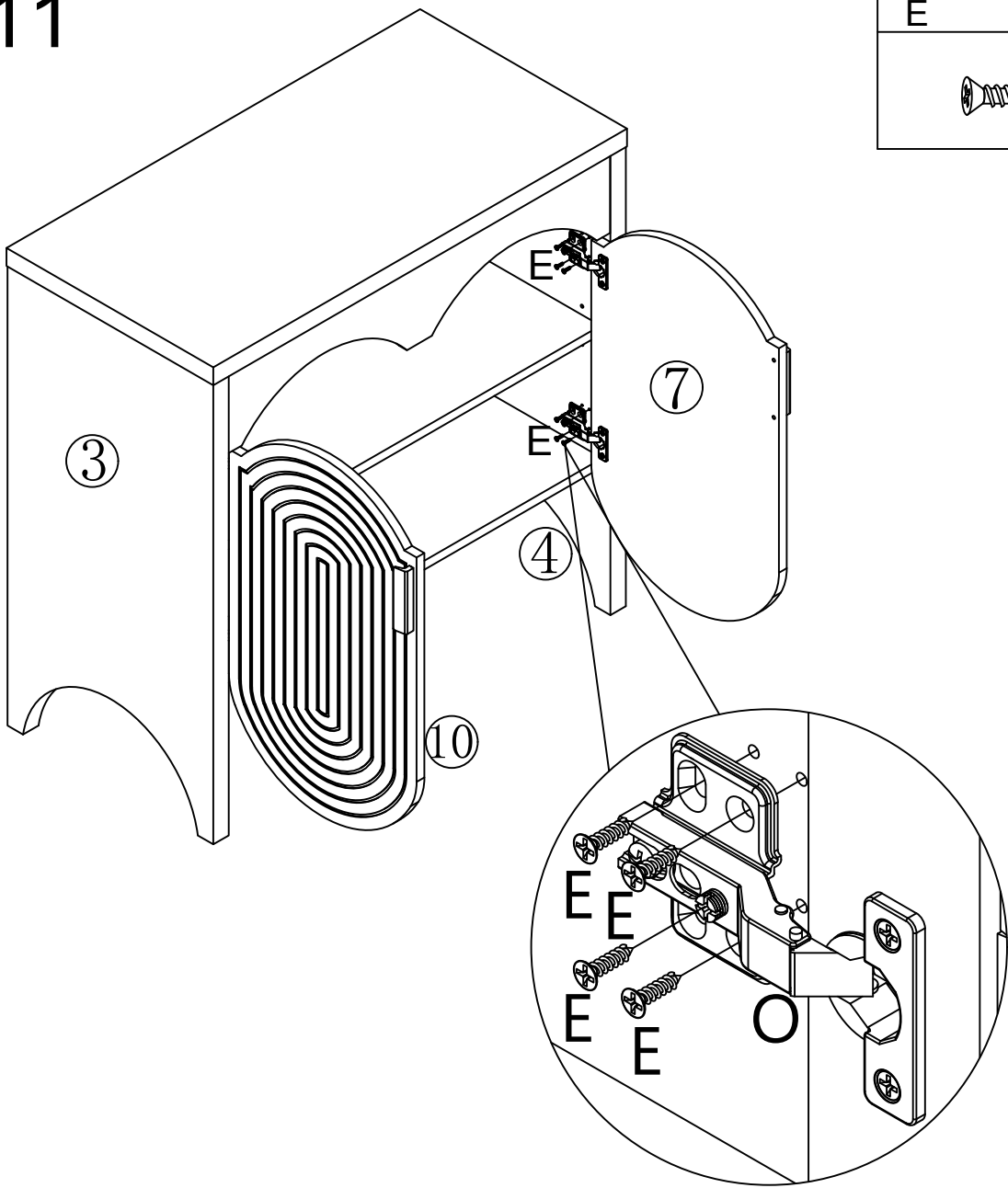
# Step 10

E	×8	I	×4	M	×2	H	×4
							


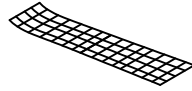
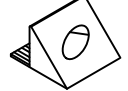


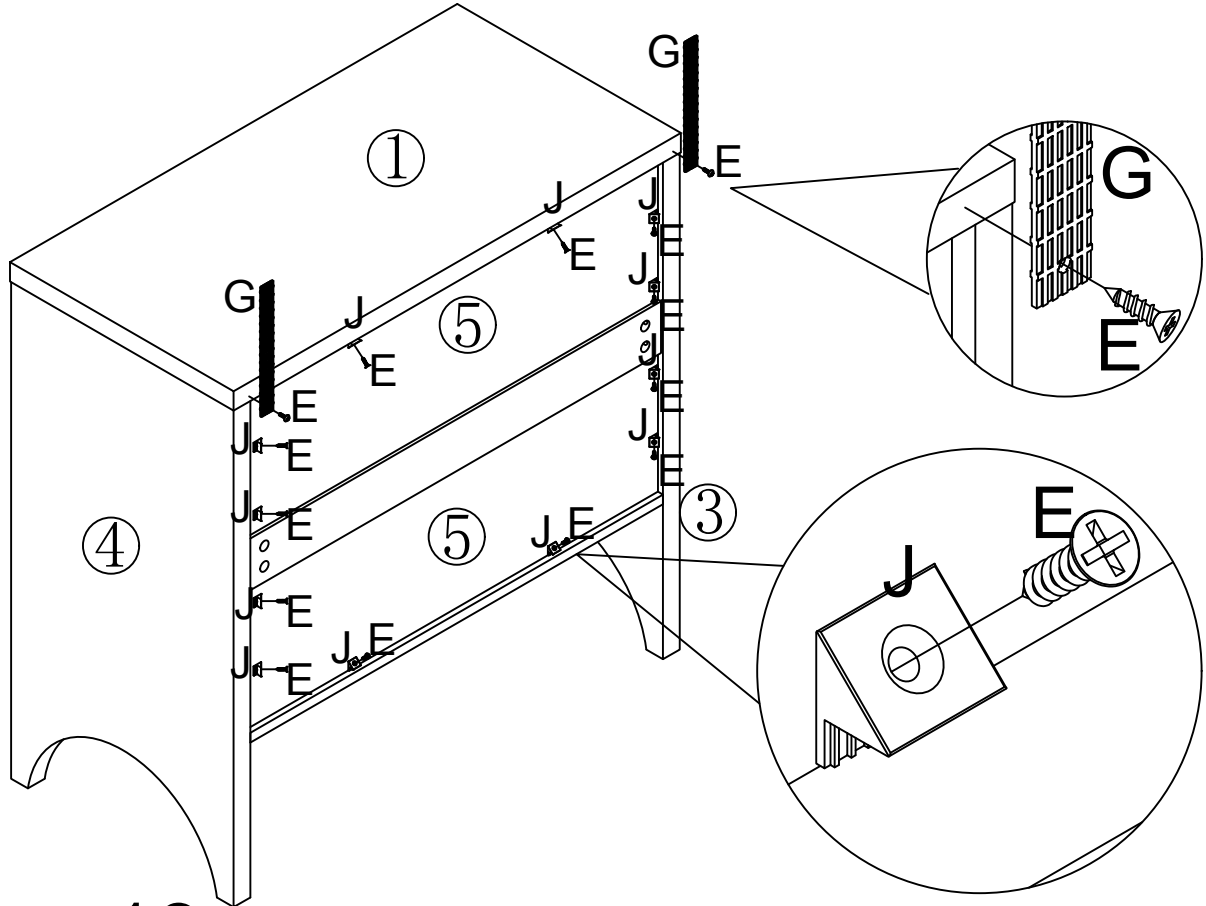
# Step 11

E	×16
	

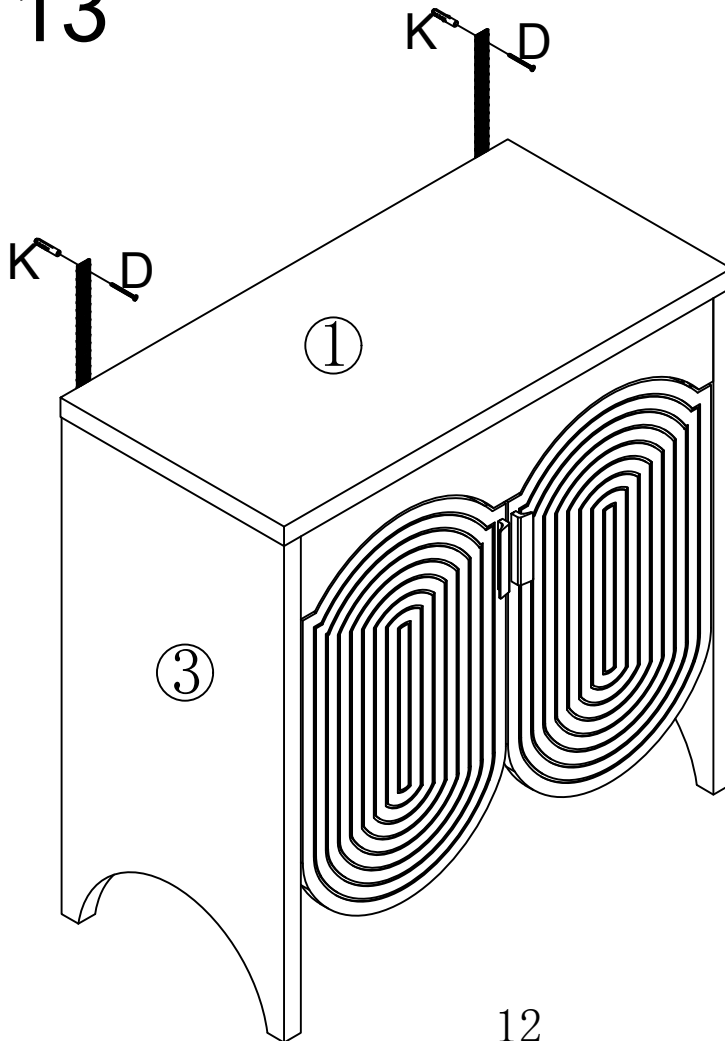


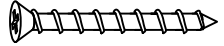
# Step 12

E	×14	G	×2	J	×12
					



# Step 13



D	×2
	
K	×2
