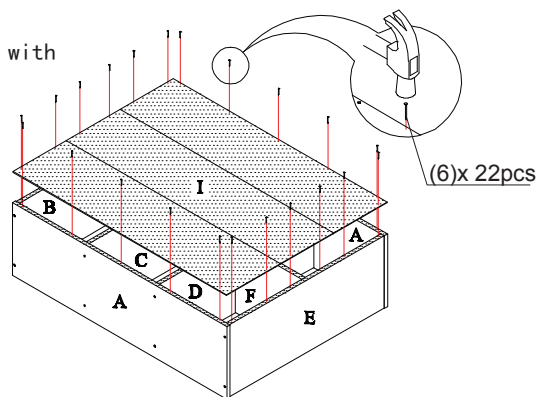


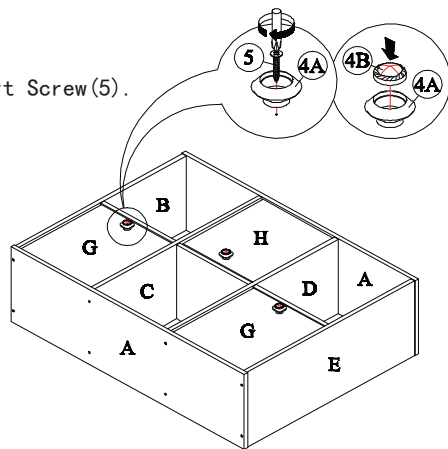
### STEP 5

Attach Back Panel (I) to assembled unit with Power Pin (6).

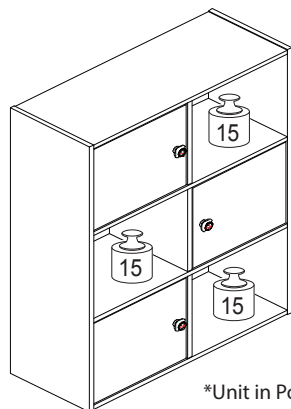


### STEP 6

Attach Handle (4) on Door Panel using Short Screw (5).



### Recommended Maximum Weight



\*Unit in Pound(lbs)

#### **WARNING:**

>This unit has been designed to support the maximum loads shown. Exceeding these load limits could cause sagging, instability, product collapse, and/or serious injury.

>DO NOT allow children to climb on unit.

>Put heavier items on lower shelves.

## **Assembly Instruction**

3 Tier Shelf w/3 Door  
w/Round Handle

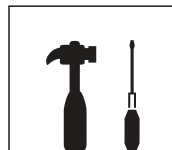
DIMENSION : 23.6"(W) x 31.5"(H) x 9.4"(D)

00:30

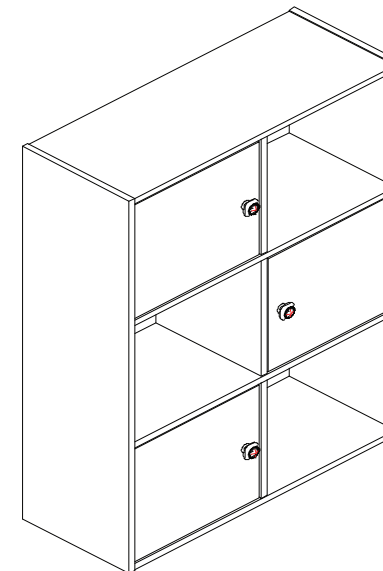
Approx. 30 minutes

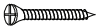








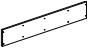



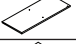
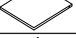

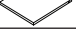

Recomm. 2 Person

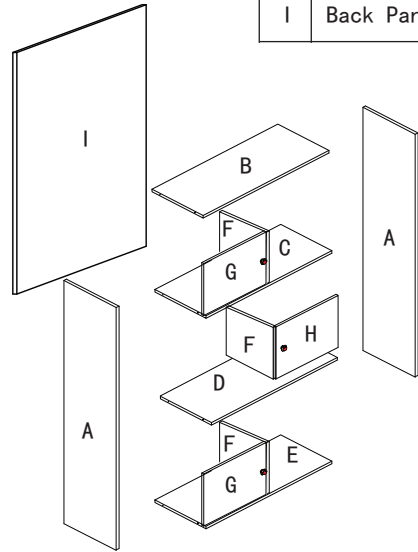


Tools Required



No	Hardware List	Qty
1	Screw 	16pcs
2	Door Support 	6pcs
3	Magnet/Screw 	3pcs
4	Handle 	3pcs
5	Short Screw 	3pcs
6	Power Pin 	22pcs
7	Wooden Dowel 	12pcs

No	Parts List	Qty
A	L/R Side Panel 	2pcs
B	Top Panel 	1pcs
C	Second Shelf Panel 	1pcs
D	Third Shelf Panel 	1pcs
E	Bottom Panel 	1pcs
F	Center Side Panel 	3pcs
G	Left Door Panel 	2pcs
H	Right Door Panel 	1pcs
I	Back Panel 	1pcs



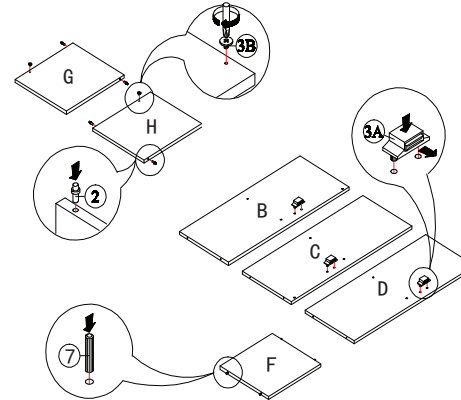
#### USEFUL HINTS BEFORE YOU START:

1. Read each step carefully before starting.
2. It is important that each step is performed in correct order to avoid difficulties.
3. Identify, sort and count the parts before assembly.
4. Assemble your furniture on packaging cardboard to prevent scratch or damage.
5. Clean the product with mild cleanser using soft damped cloth. Do not use harsh or abrasive cleanser.
6. Using incompatible hardware might cause damage to product.

#### STEP 1

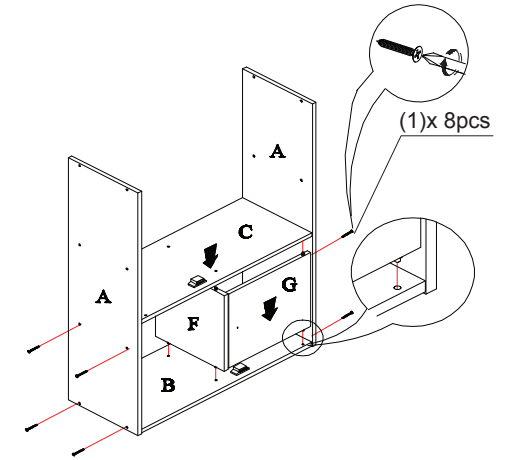
- 1.1 Attach Screw(3B) and Door Support(2) on L/R Door Panel (G, H).
- 1.2 Attach Magnet (3A) on Top Panel (B) and Shelf Panel (C, D).
- 1.3 Install Wooden Dowel (7) on Center Side Panel (F).

Note: 1) Enlarge pre-drilled hole with Screw before attach with Magnet (3).  
2) Iron plate on Magnet (3A) should be pointing toward arrow direction.



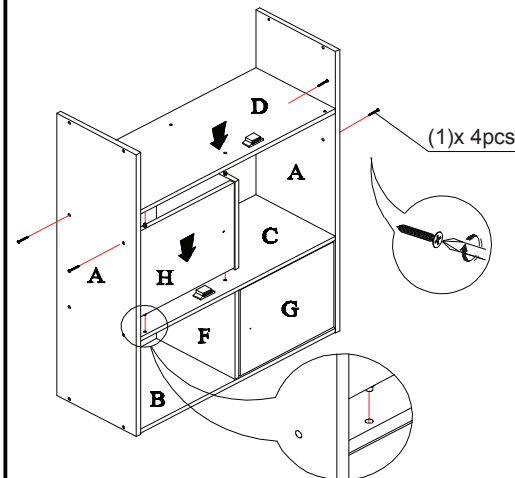
#### STEP 2

- 2.1 Attach L/R Side Panel (A) and Top Panel (B) using Screw (1).
- 2.2 Connect Panel (G), (F), (C) with completed unit in Step 2.1.



#### STEP 3

Attach Panel (H), (F), (D) with completed unit in Step 2 using Screw (1).



#### STEP 4

Attach Panel (G), (F), (E) with completed unit in Step 3 using Screw (1).

