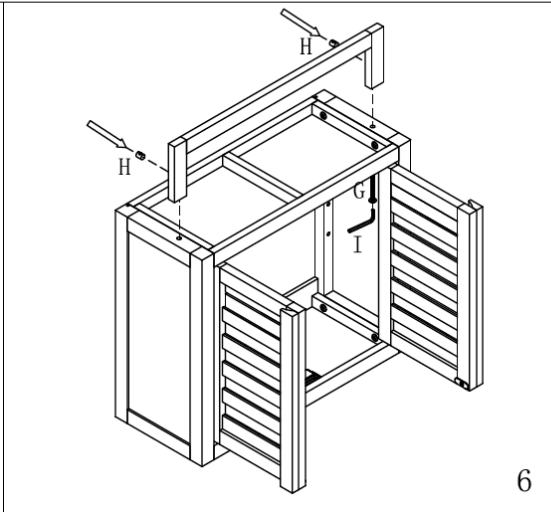
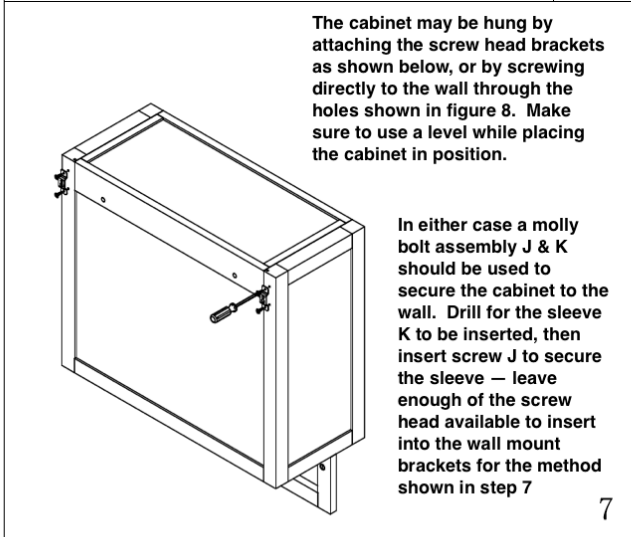


5



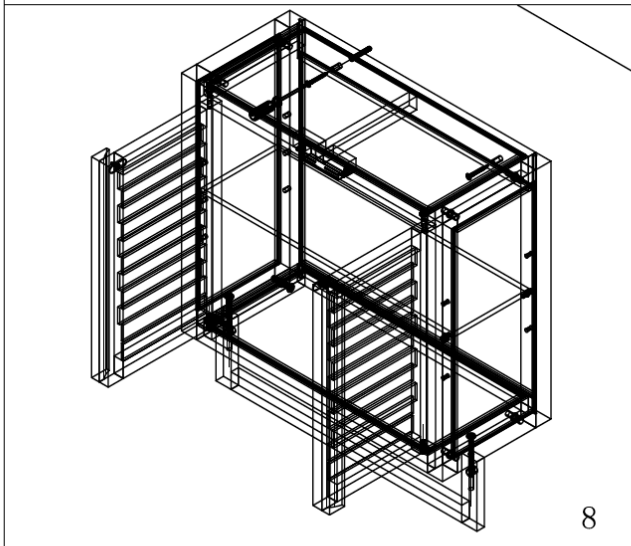
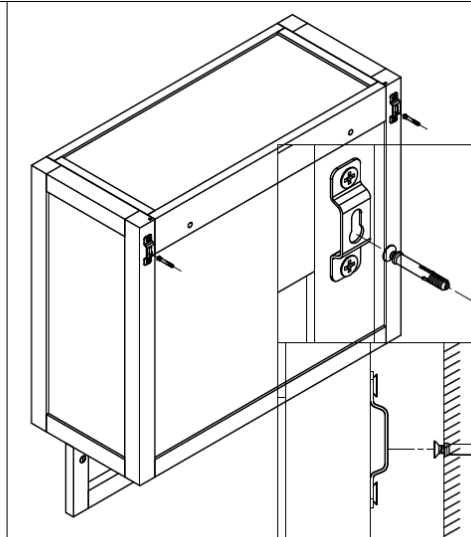
6



The cabinet may be hung by attaching the screw head brackets as shown below, or by screwing directly to the wall through the holes shown in figure 8. Make sure to use a level while placing the cabinet in position.

In either case a molly bolt assembly J & K should be used to secure the cabinet to the wall. Drill for the sleeve K to be inserted, then insert screw J to secure the sleeve — leave enough of the screw head available to insert into the wall mount brackets for the method shown in step 7

7



8

