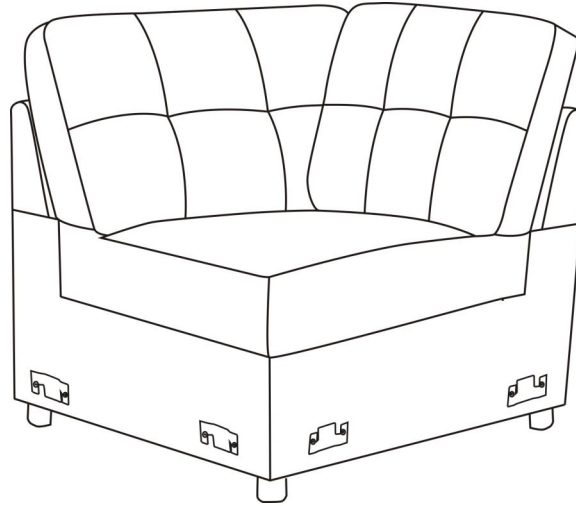


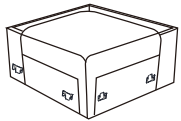


ASSEMBLY INSTRUCTION

ITEM NO.:F4101/F4102/F4103/F10201/F10202/F10203

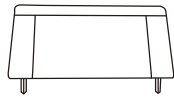


PARTS LIST



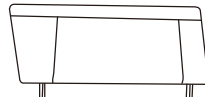
A

x1



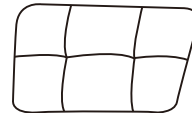
B

x1



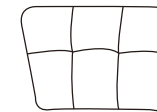
C

x1



D

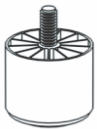
x1



E

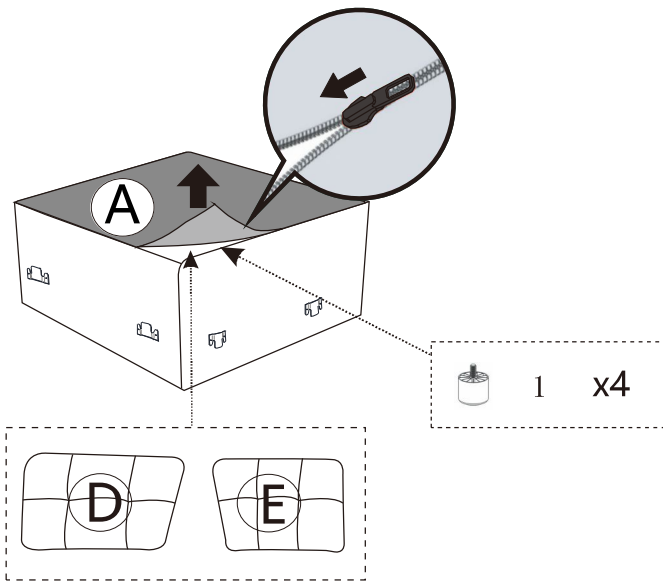
x1

HARDWARE LIST

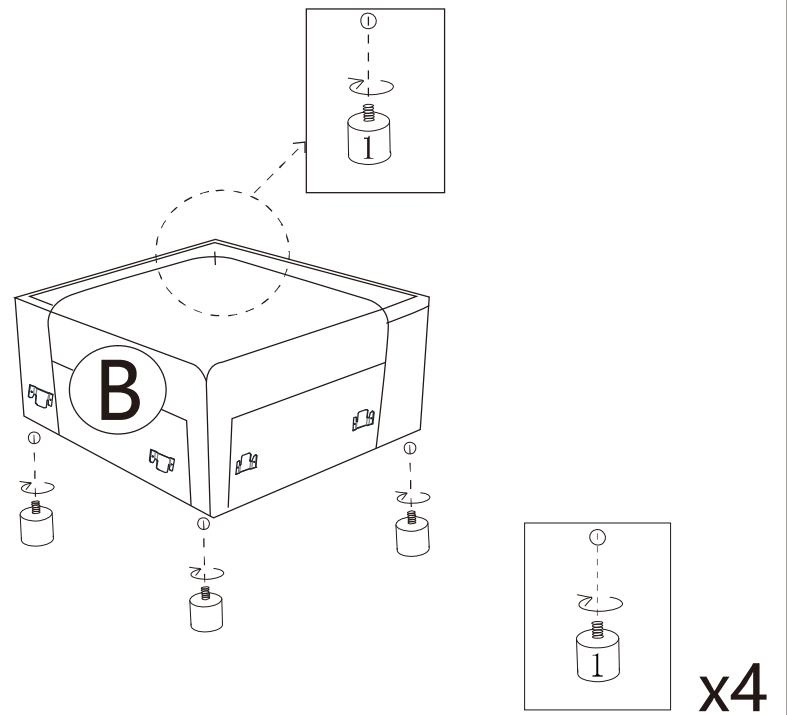


1

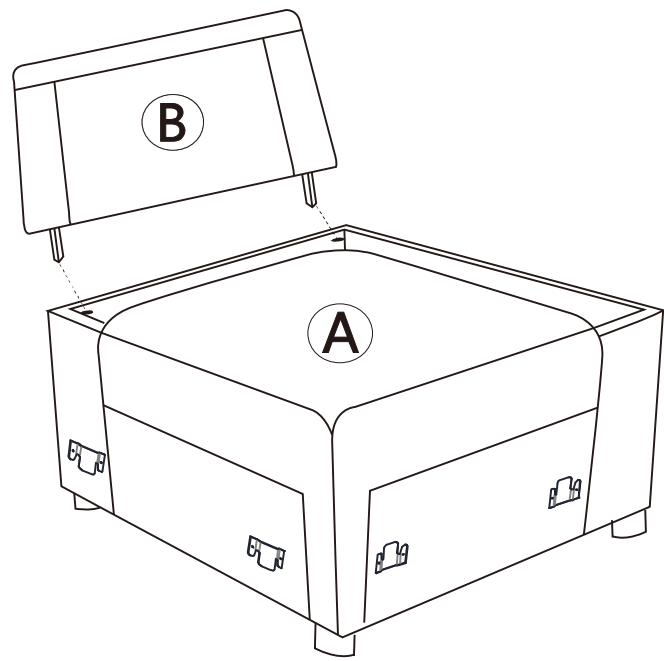
x4



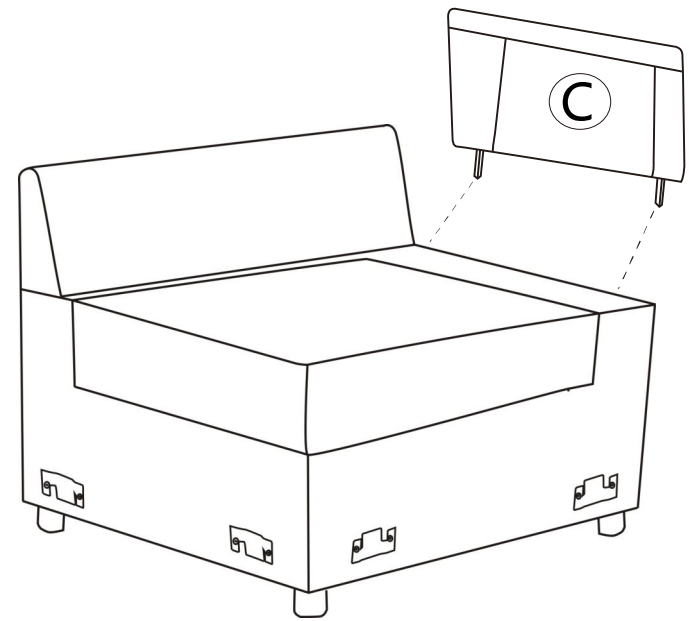
Step1



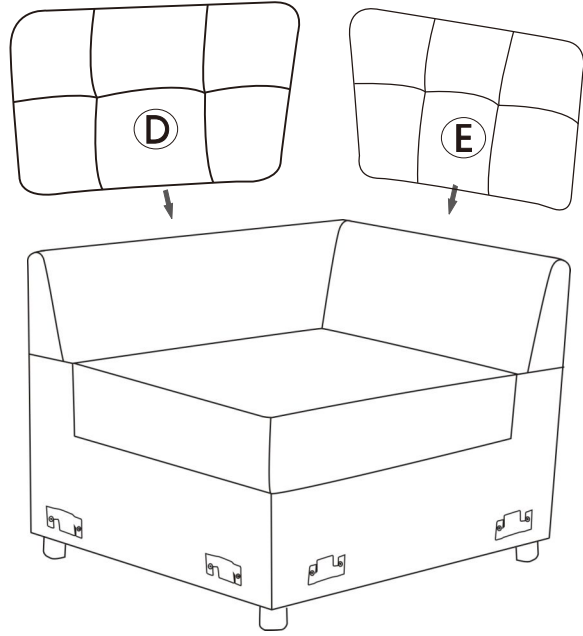
Step2



Step3



Step4



Step5

