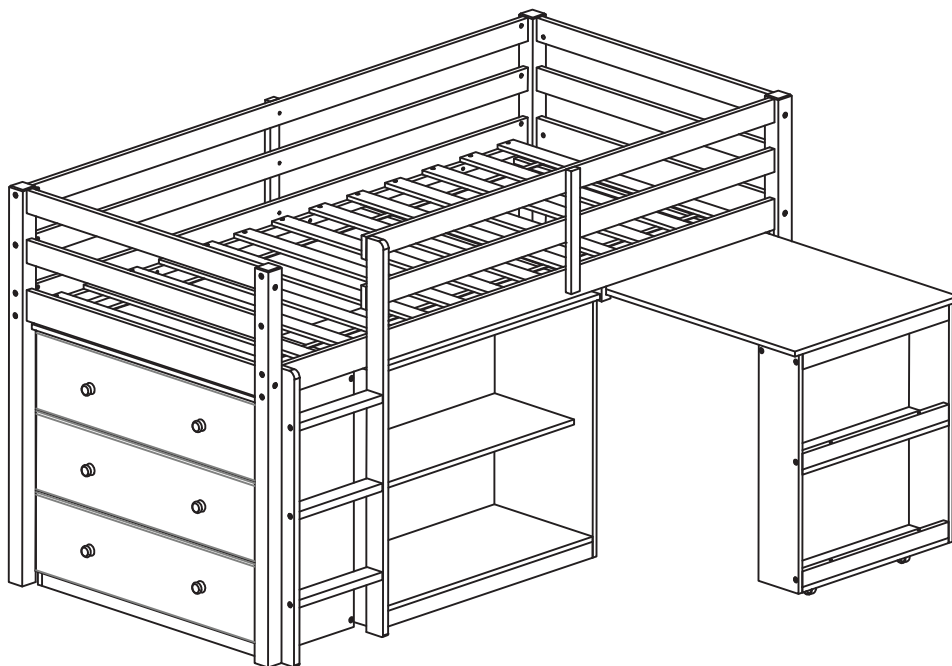
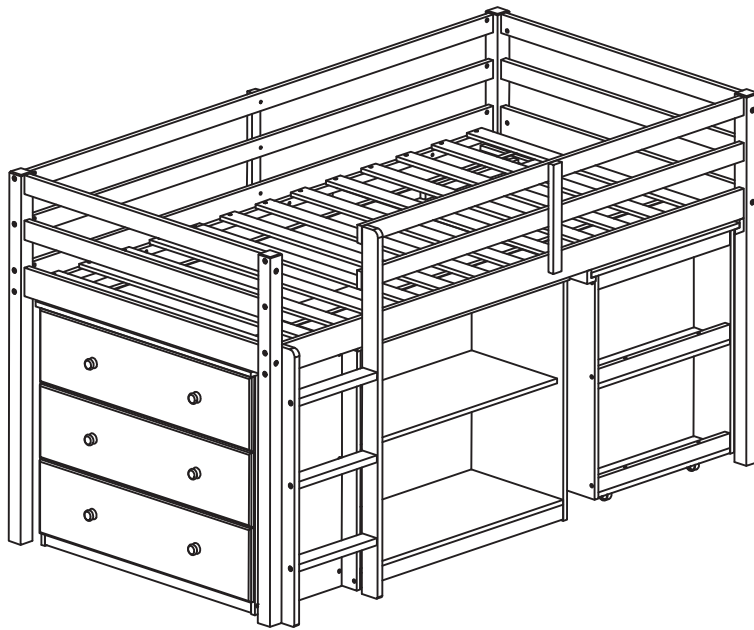


# ASSEMBLY INSTRUCTIONS

## Twin Low Loft Bed with 3-Drawer Chest, Storage Case and Desk





# SAFETY WARNING



1. This bed is designed for use only mattress (es) meeting the following specifications on the upper bunk, and lower bunk:

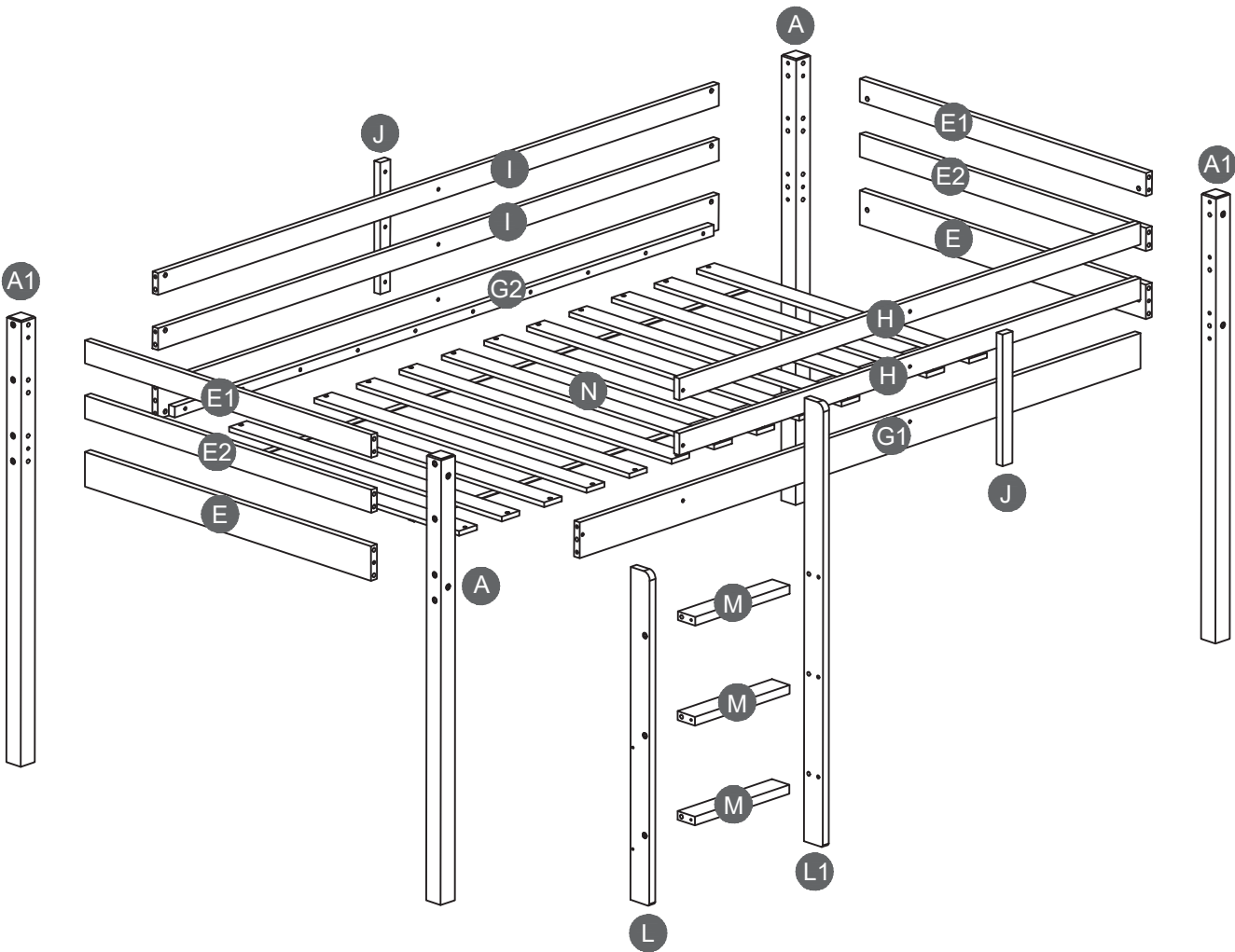
## Up bed (Bunk bed and tribed included)

Bed type	Length	With	Thickness
Twin Standard	74"-75"	38 1/2"	6" max

2. Replacement parts, including additional guardrails, maybe obtained from any of our dealers of GigaCloud Technology, (USA) / 108-118 BREA CANYON RD, BUILDING 12, WALNUT , CA 91789.
3. Follow the information on the warnings appearing on the upper bunk bed end structure and on the carton. Do not remove warning label from bed.
4. Always use the recommended size mattresses or mattress supports, or both, to help prevent the likelihood of entrapment or falls.
5. Surface of mattress must be at least 5" (127mm) below the upper edge of guardrails.
6. Do not allow children under 6 years of age to use the upper bunk.
7. Periodically check and ensure that the guardrail, ladder, and other components are in their proper position, free from damage, and that all connectors are tight.
8. Do not allow horseplay on or under the bed and prohibit jumping on the bed.
9. Always use the ladder for entering and leaving the upper bunk.
10. Do not use substitute part. Contact the manufacture or dealer for replacement part.
11. Use of a night light may provide added safety precaution for a child using the upper bunk.
12. Always use guardrails on both long sides of the upper bunk. If the bunk bed will be placed next to the wall, the guardrail that runs the full length of the bed should be placed against the wall to prevent entrapment between the bed and wall.
13. The use of water or sleep flotation mattresses is prohibited.
14. **STRANGULATION HAZARD** - Never attach or hang items to any part of the bunk bed that are not designed for use with the bed; for example, but not limited to, hook, belts and jump ropes.
15. Keep these instruction for future reference.

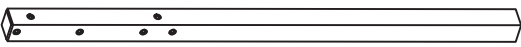
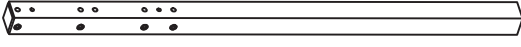
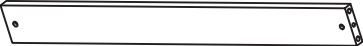
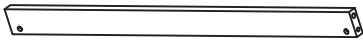
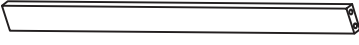
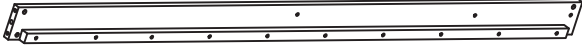

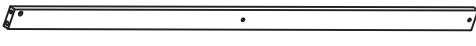
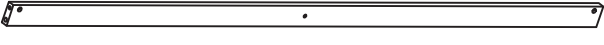
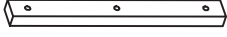
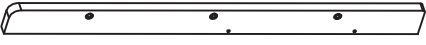
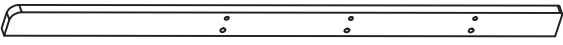
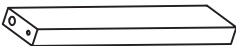
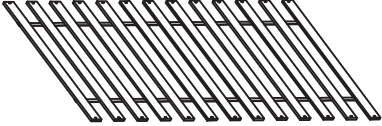
# Detail View

## Bed

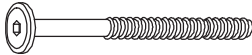
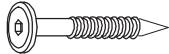

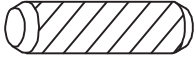


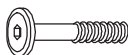





# Part List (Bed)

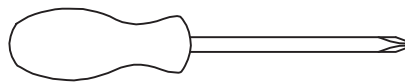
## Hardware List MK 70075 (1/3)

<b>A</b>  Leg - 2pcs	<b>A1</b>  Leg - 2pcs
<b>E</b>  Hb. Fb. Bottom Panel - 2pcs	<b>E1</b>  Hb. Fb. Top Panel - 2pcs
<b>E2</b>  Hb. Fb. Mid. Panel - 2pcs	<b>G1</b>  Side Rail (Front) - 1pc
<b>G2</b>  Side Rail (Back) - 1pc	<b>H</b>  Guardrail Upper (Front) - 2pcs
<b>I</b>  Guardrail Upper (Back) - 2pcs	<b>J</b>  Guardrail Spindle - 2pcs
<b>L</b>  Ladder Rail (Left) - 1pc	<b>L1</b>  Ladder Rail (Right) - 1pc
<b>M</b>  Ladder Step - 3pcs	<b>N</b>  Bed Slats - 1 Set

# Hardware List (Bed)

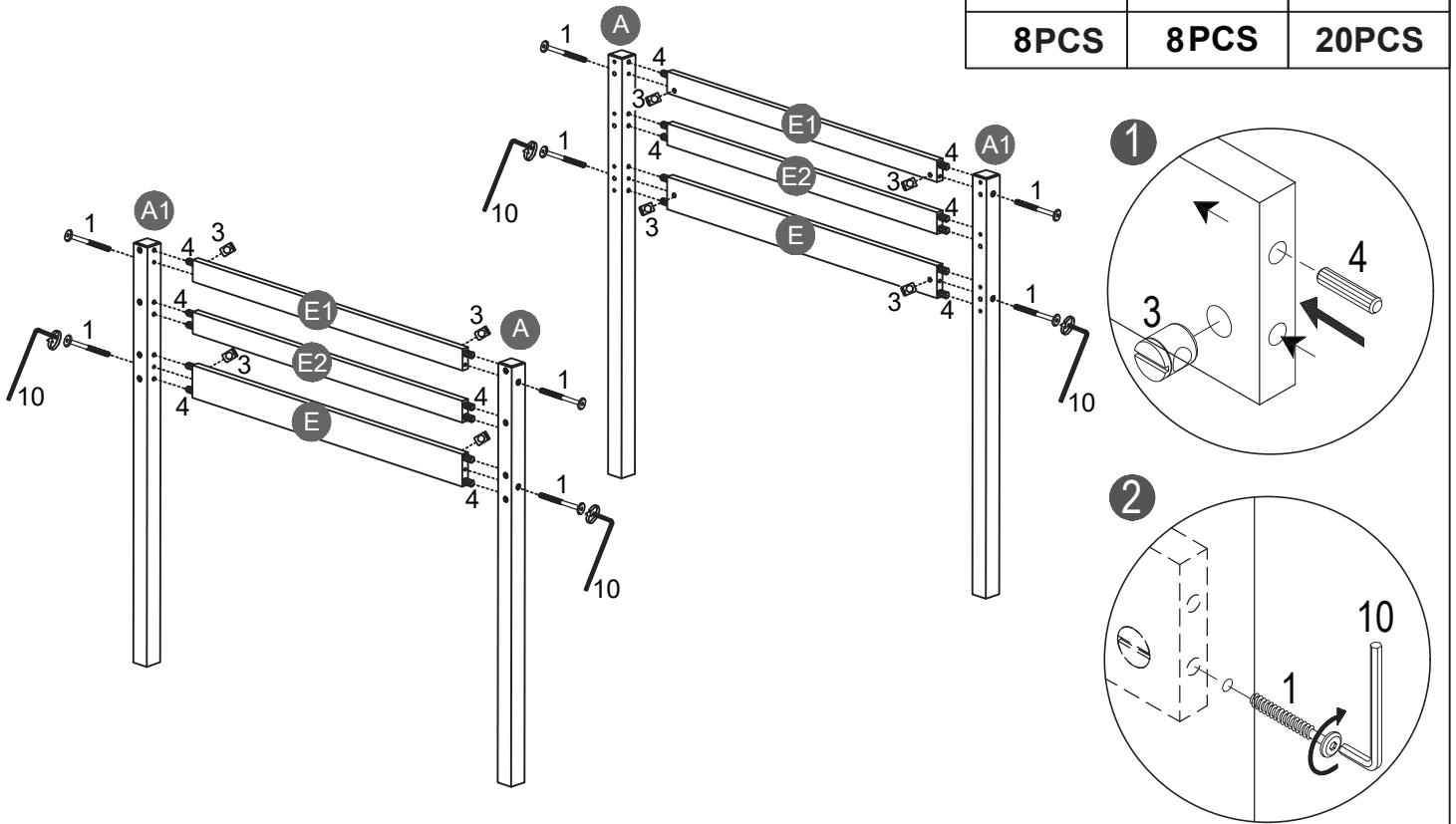
<b>1</b>  M6 x 90mm JCBC (22pcs)	<b>2</b>  M6 x 50mm JCBC-W (10pcs)	<b>3</b>  M6 x 15mm Barrel Nut (22pcs)
<b>4</b>  M10 x 30mm Wood Dowel (36pcs)	<b>5</b>  M4 x 38mm CSK Screw (2pcs)	<b>6</b>  M4 x 25mm CSK Screw (22pcs)
<b>7</b>  M6 x 30mm JCBC (6pcs)	<b>8</b>  M6 x 30mm JCBC-W (4pcs)	<b>9</b>  Sticker Cap (6pcs)
<b>10</b>  M4 Allen Key (1pc)		

## ASSEMBLY TOOLS REQUIRED ( NOT INCLUDED )

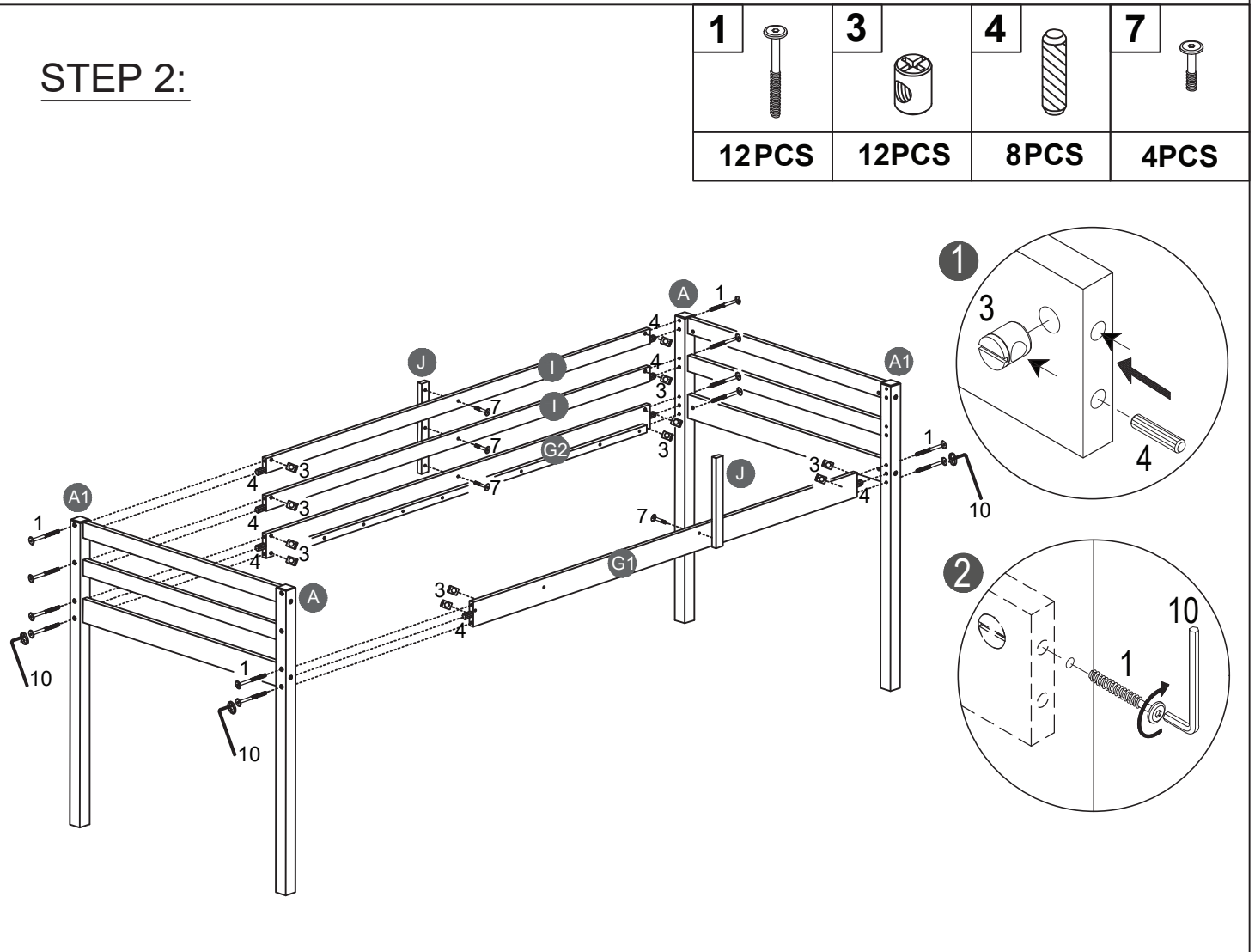


**PLEASE BE CAREFUL DO NOT DAMAGE THE HOLE POSITION WHEN YOU USE POWER TOOLS !**





# STEP 1:

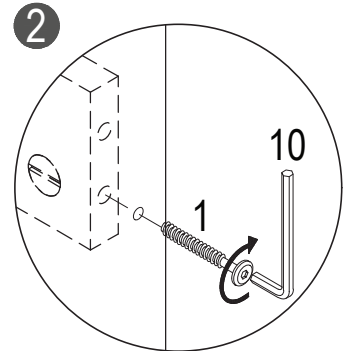
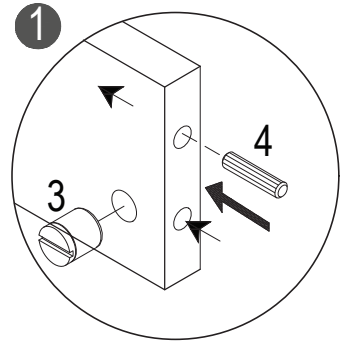
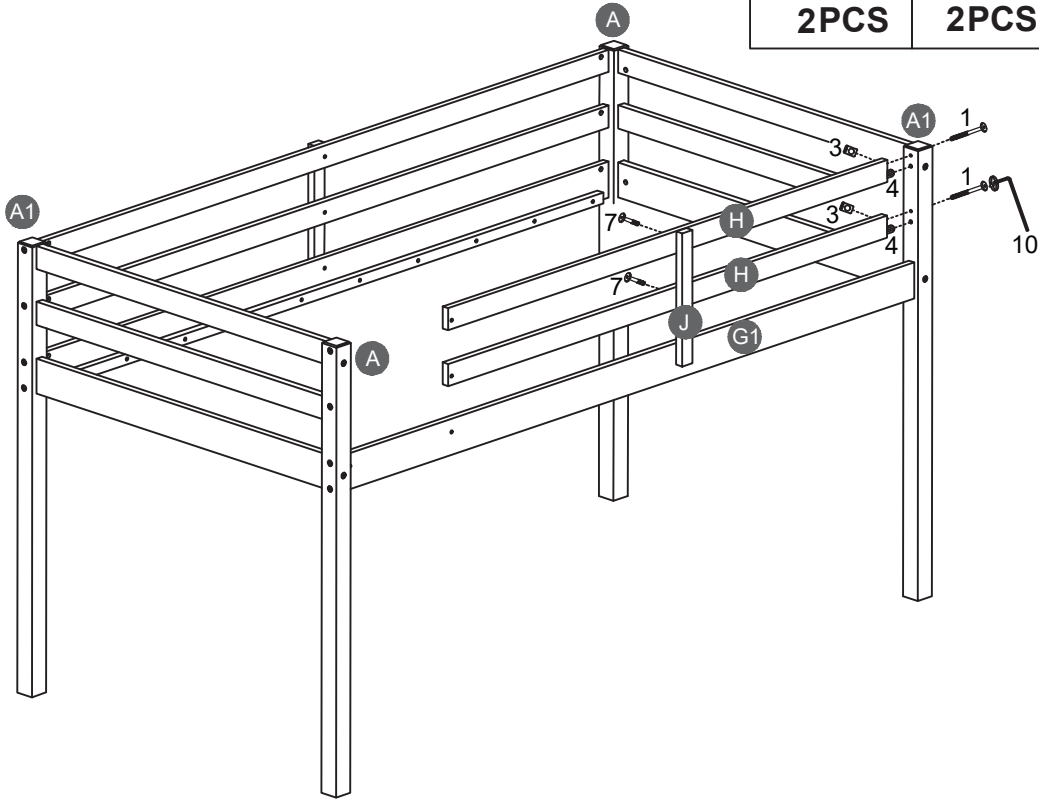


# STEP 2:

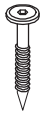



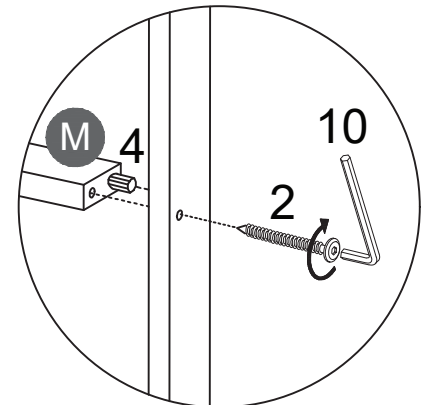
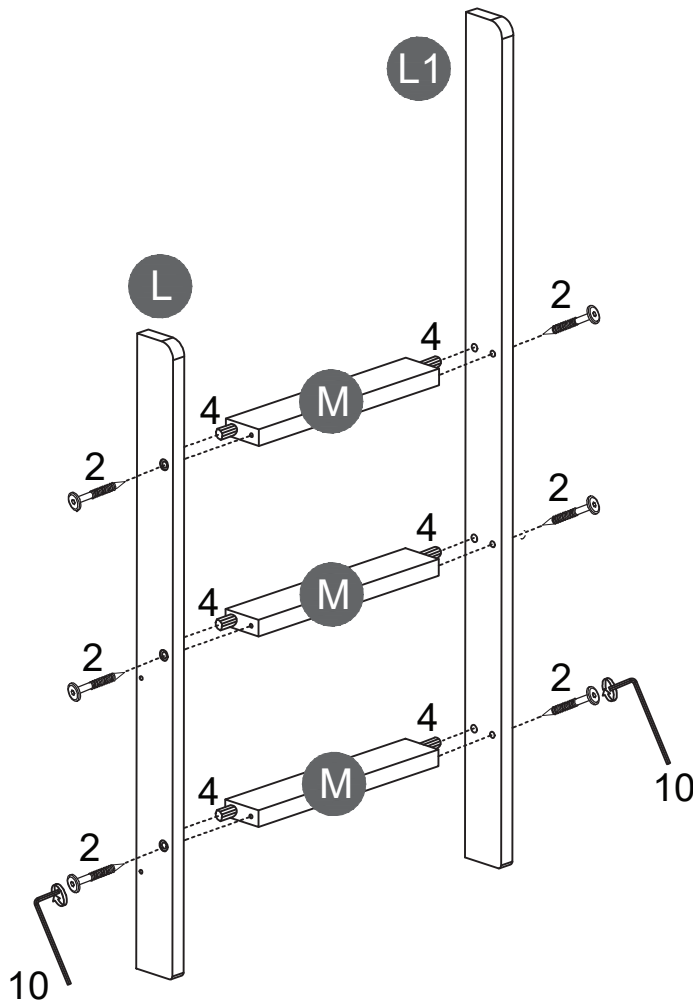
**STEP 3:**

<b>1</b>		<b>3</b>		<b>4</b>		<b>7</b>	
<b>2PCS</b>		<b>2PCS</b>		<b>2PCS</b>		<b>2PCS</b>	





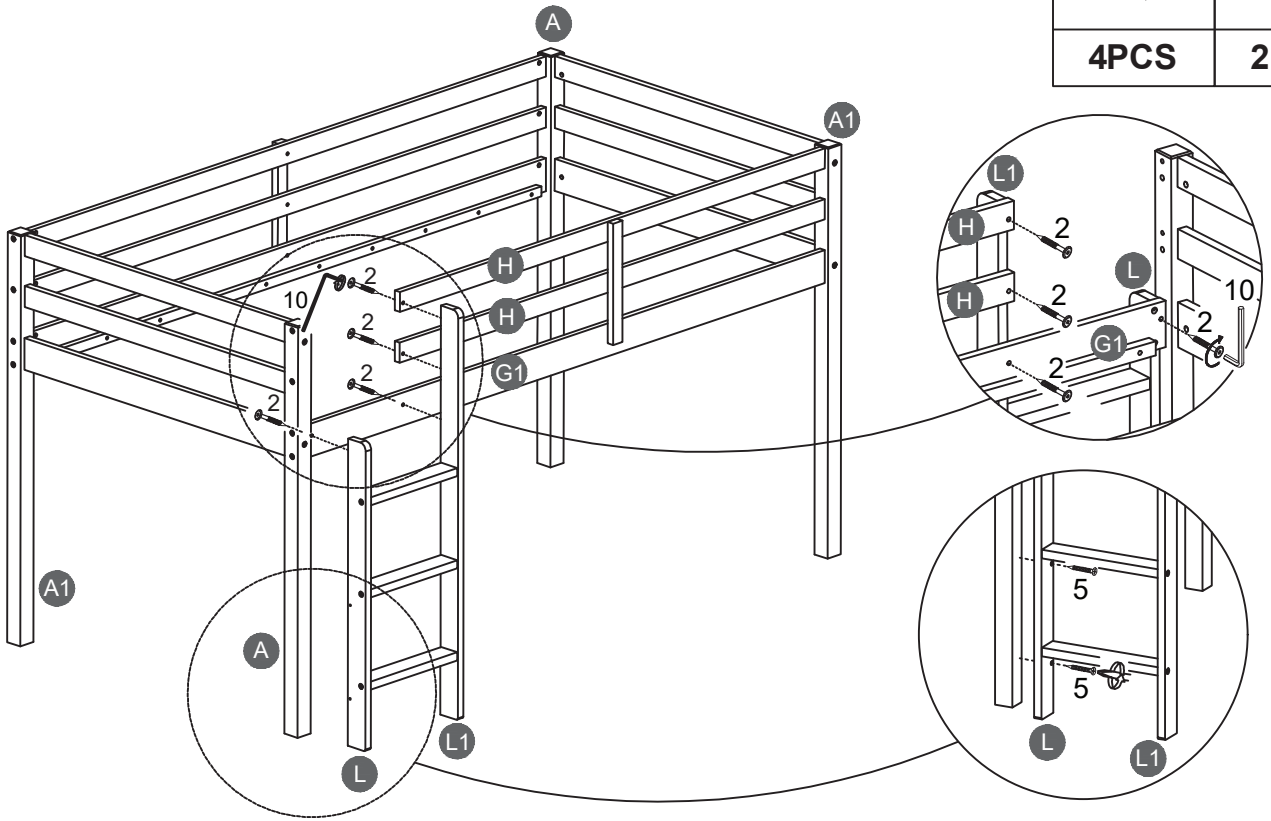
**STEP 4:**

<b>2</b>		<b>4</b>	
<b>6PCS</b>		<b>6PCS</b>	




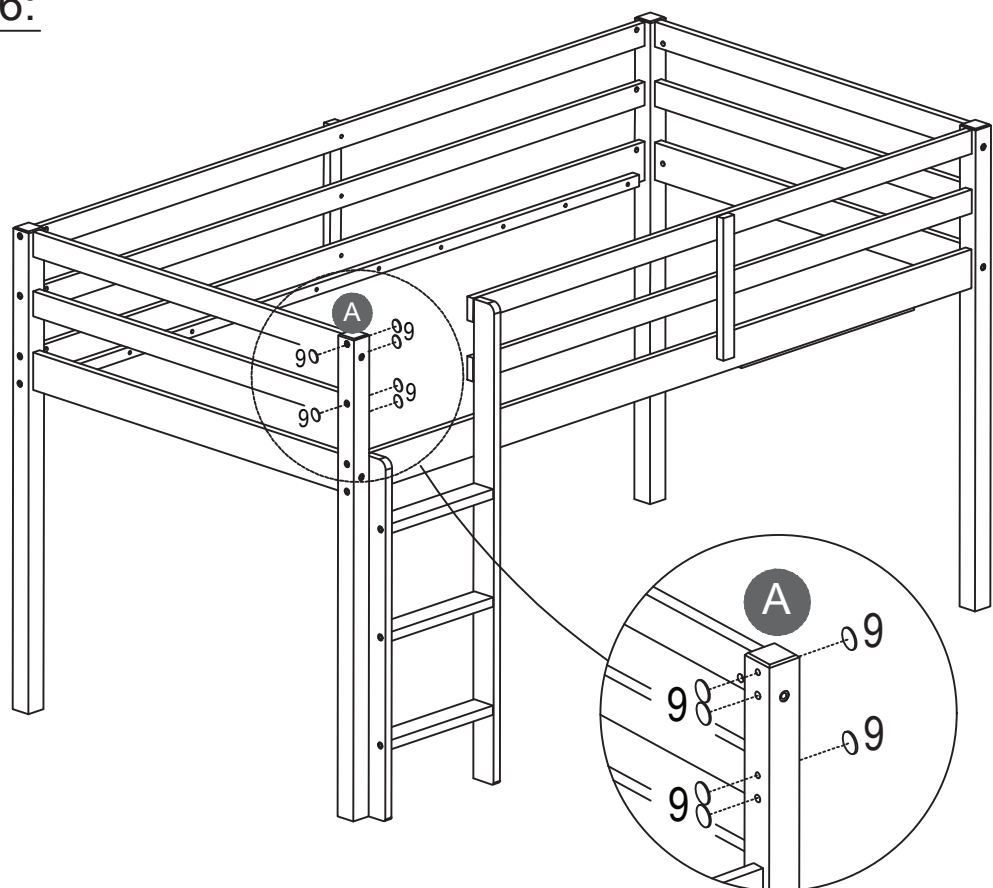
**STEP 5:**

<b>2</b> 	<b>5</b> 
<b>4PCS</b>	<b>2PCS</b>



**STEP 6:**

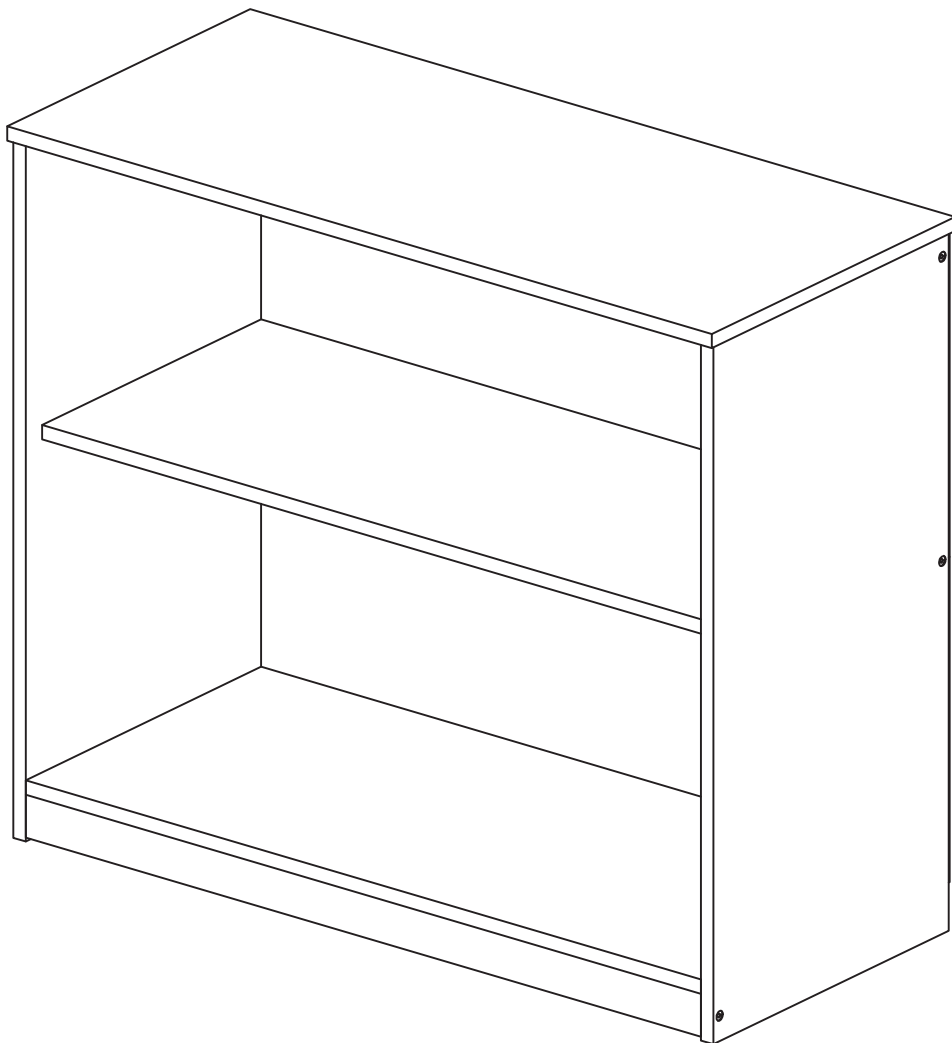
<b>9</b> 
<b>6PCS</b>



**REMARKS:**  
Attach the Bed Slats after the Desk assembly.

# ASSEMBLY INSTRUCTIONS

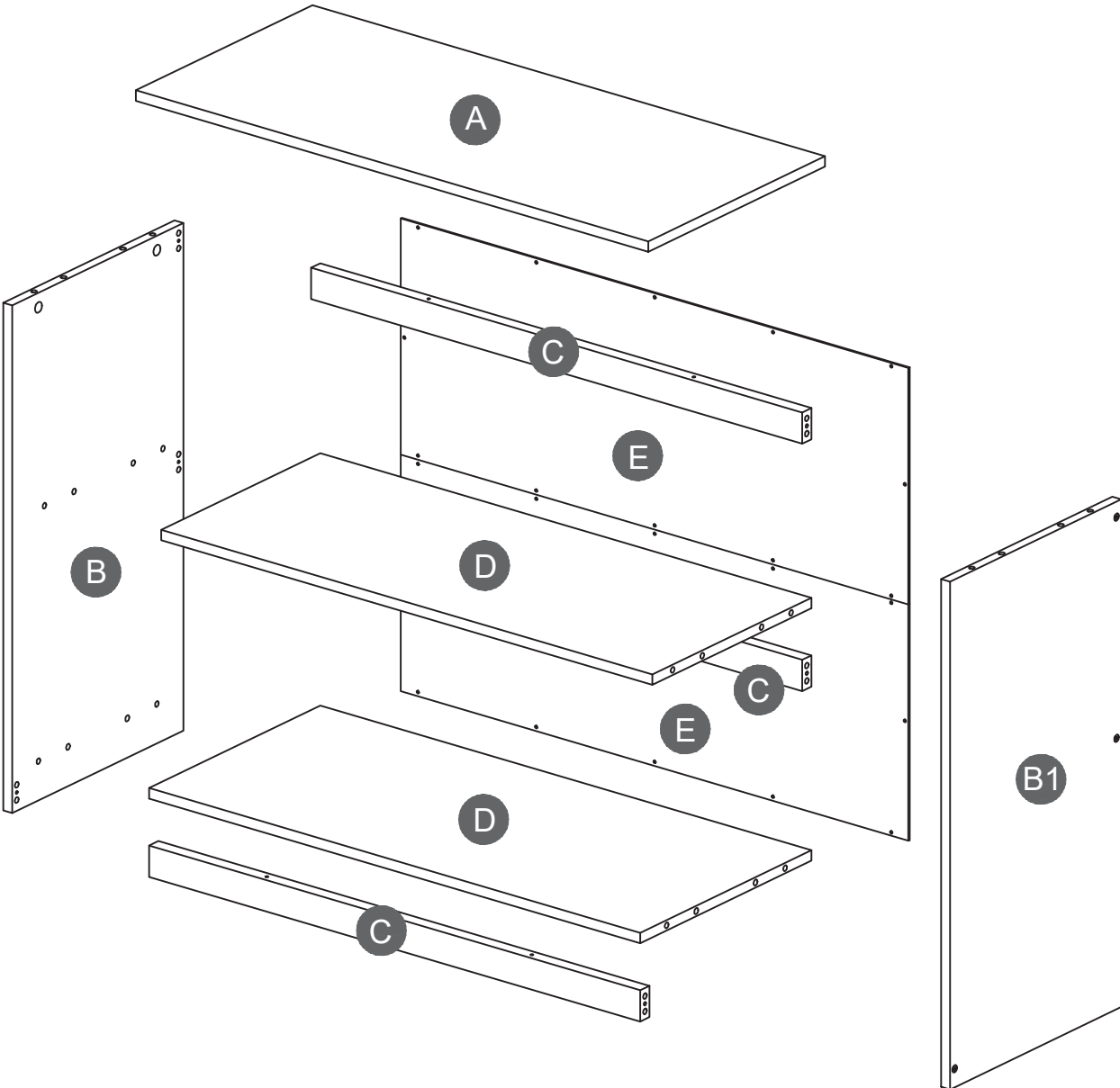
(STORAGE CASE)



**MK 70075**

Detail View

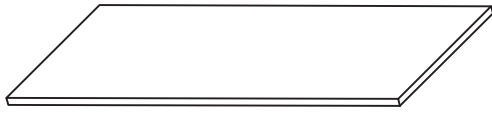
Storage Case



# Part List (Storage Case)

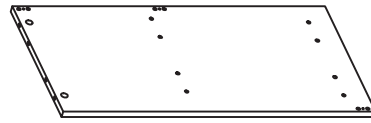
## Hardware List MK 70075 (2/3)

**A**



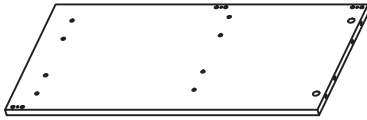
Top Panel - 1pc

**B**



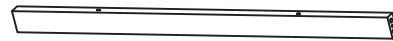
Side Panel (Left) - 1pc

**B1**



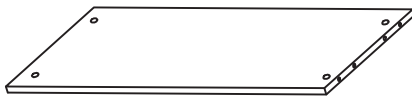
Side Panel (Right) - 1pc

**C**



Support Rail - 3pcs

**D**





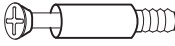



Shelf Panel - 2pcs

**E**

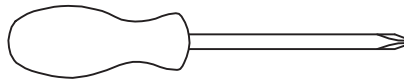


Back Panel - 2pcs

# Hardware List (Storage Case)


<b>1</b>  M8 x 30mm Wood Dowel (24pcs)	<b>2</b>  M4 x 32mm CSK Screw (12pcs)	<b>3</b>  Connecting Bolt (12pcs)
<b>4</b>  Minifix Housing (Long) (12pcs)	<b>5</b>  M3.5 x 16mm Pan Head Screw (24pcs)	<b>6</b>  Sticker Cap (6pcs)

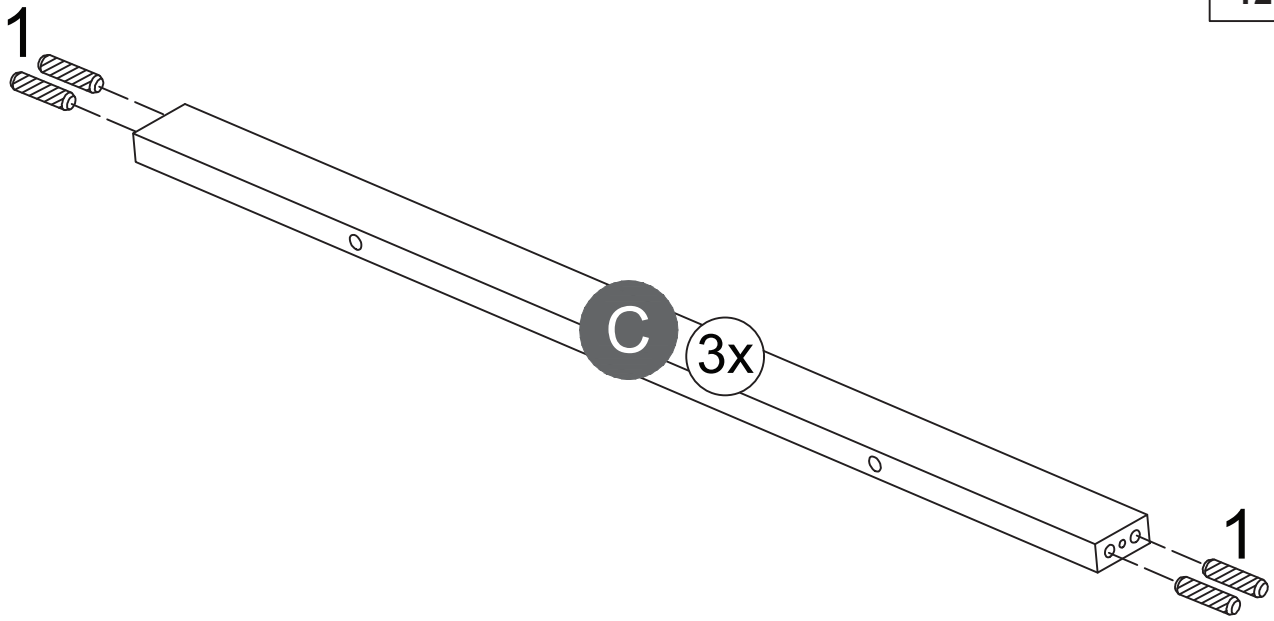
## ASSEMBLY TOOLS REQUIRED ( NOT INCLUDED )





**PLEASE BE CAREFUL DO NOT DAMAGE THE HOLE POSITION WHEN YOU USE POWER TOOLS !**

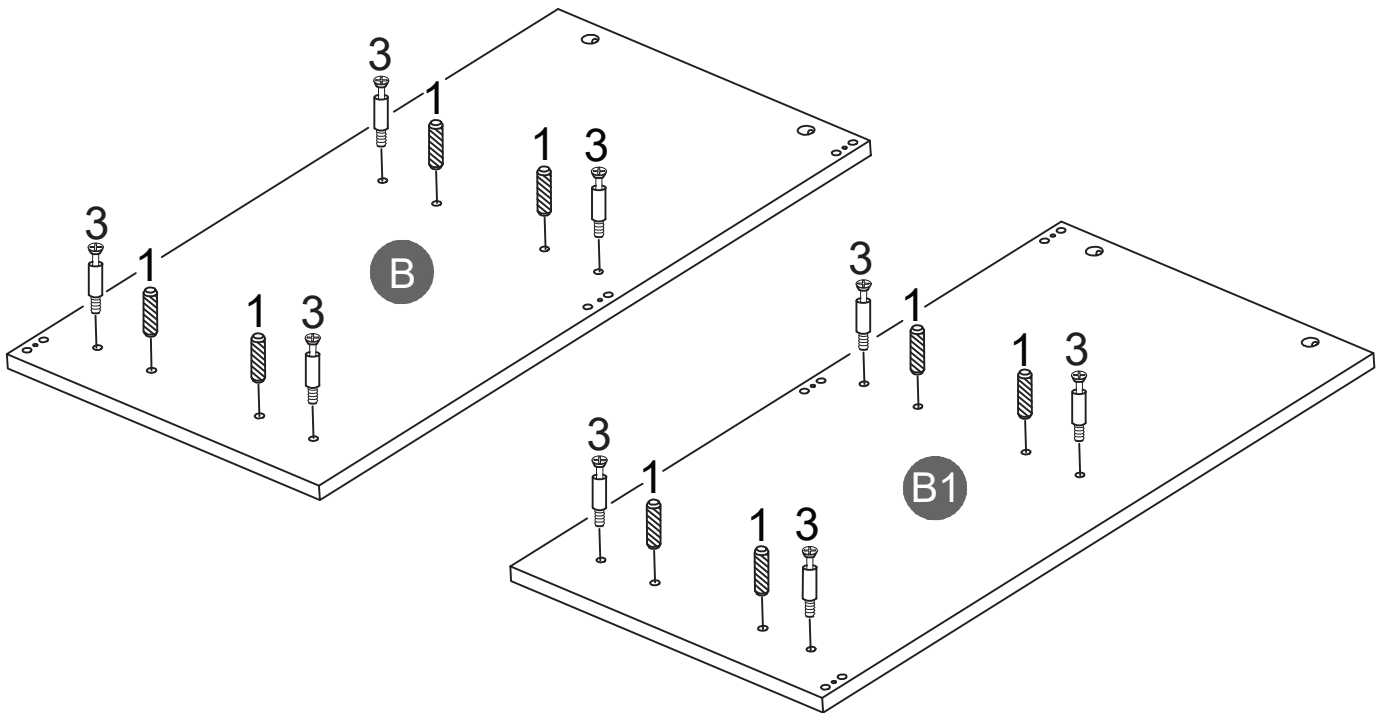
STEP 1:

1	
12PCS	

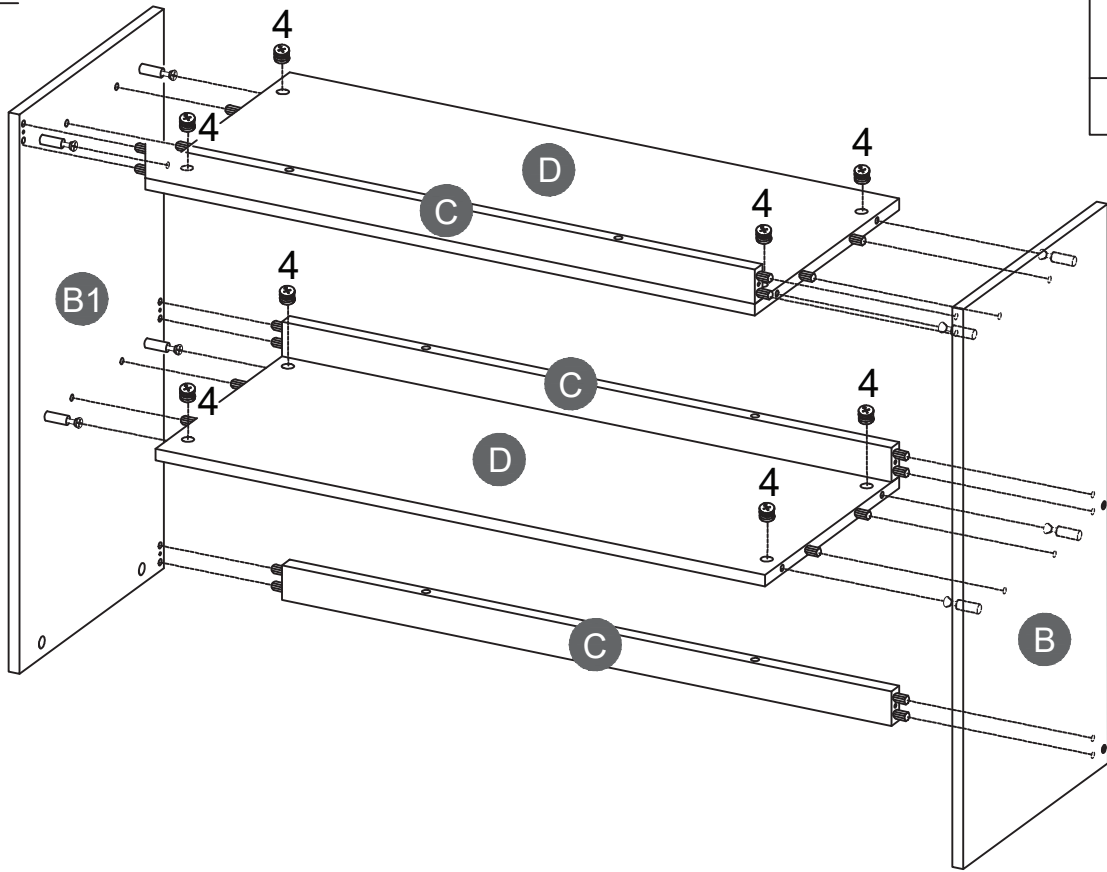


STEP 2:

1		3	
8PCS		8PCS	



**STEP 3:**

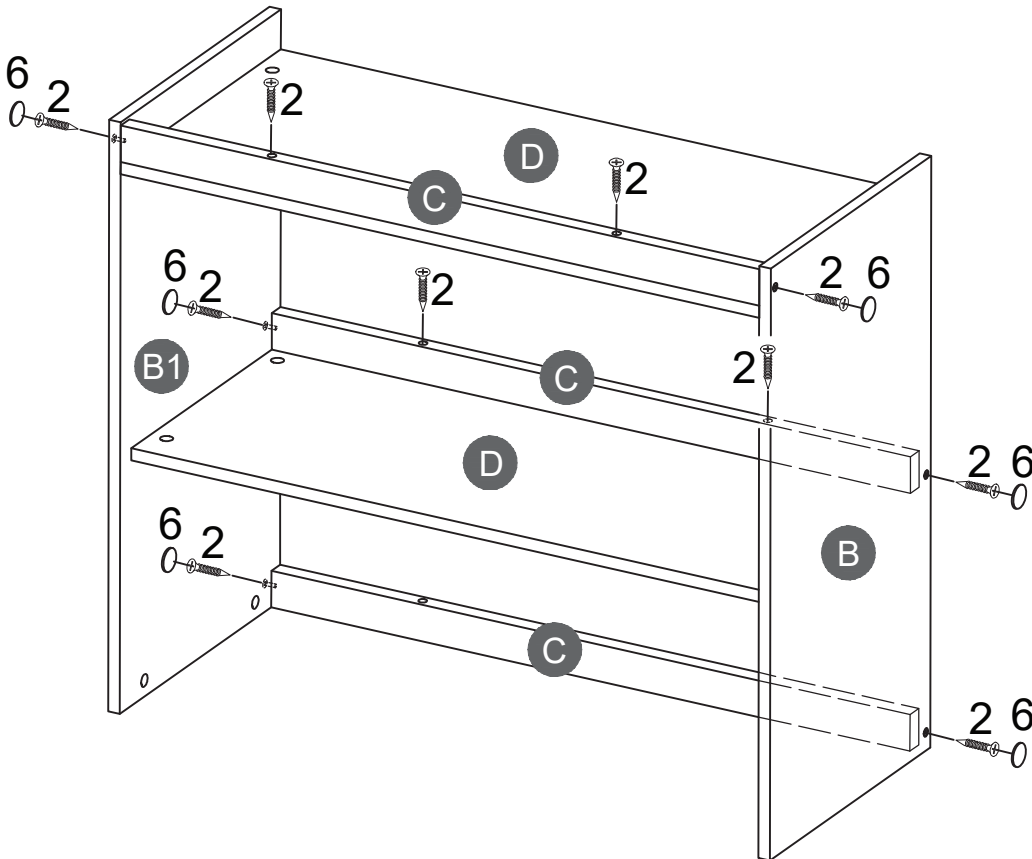


**4**



**8PCS**

**STEP 4:**



**2**

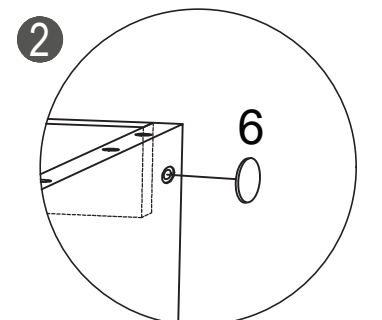
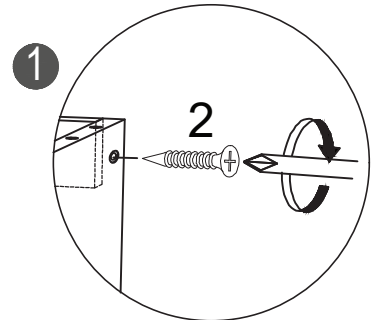


**10PCS**



**6**

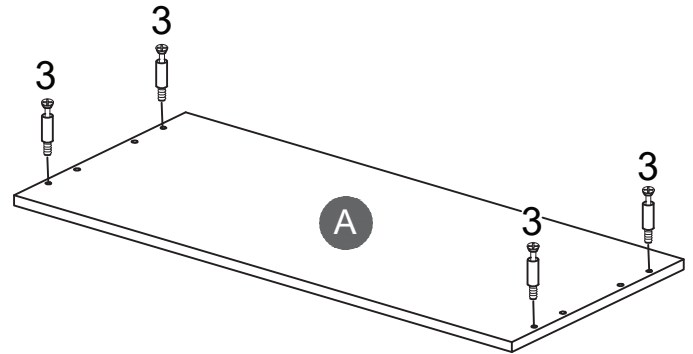
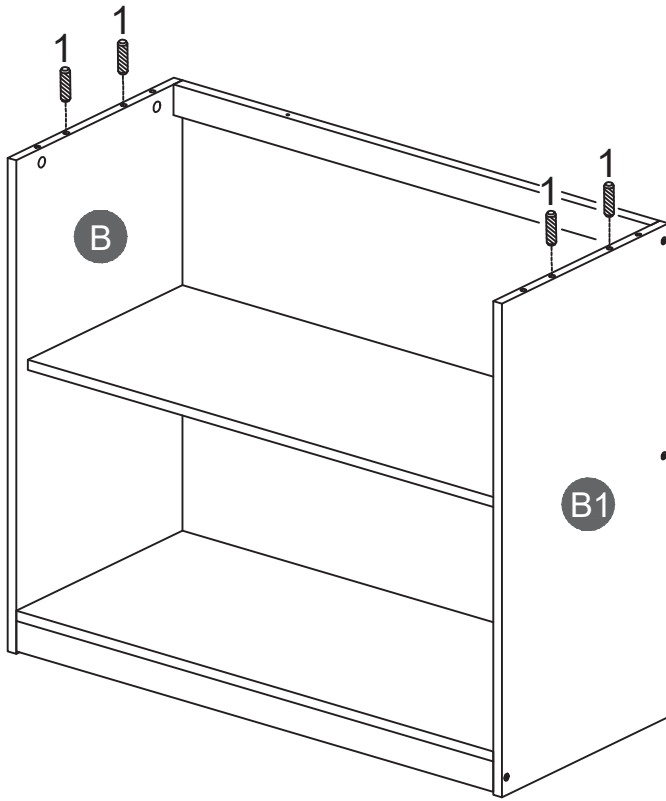


**6PCS**





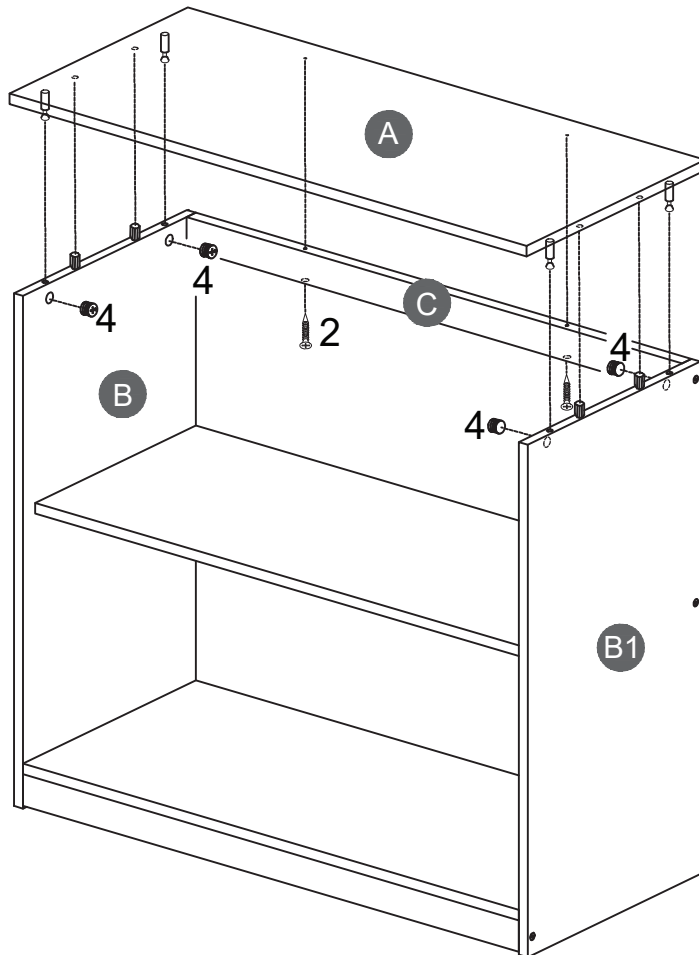
**STEP 5:**

<b>1</b>		<b>3</b>	
<b>4PCS</b>		<b>4PCS</b>	



**STEP 6:**

<b>2</b>		<b>4</b>	
<b>2PCS</b>		<b>4PCS</b>	

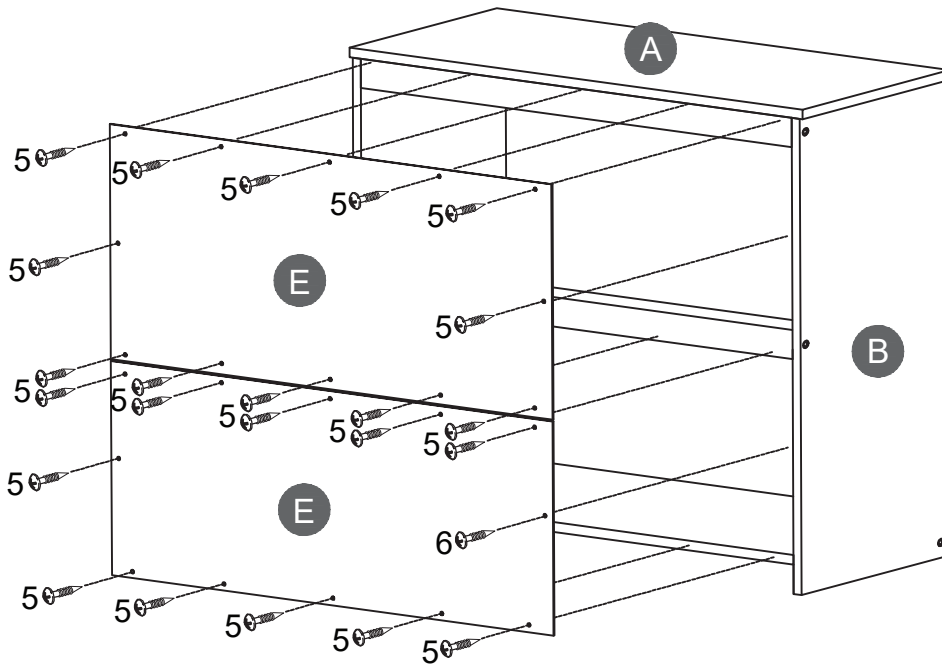


STEP 7:

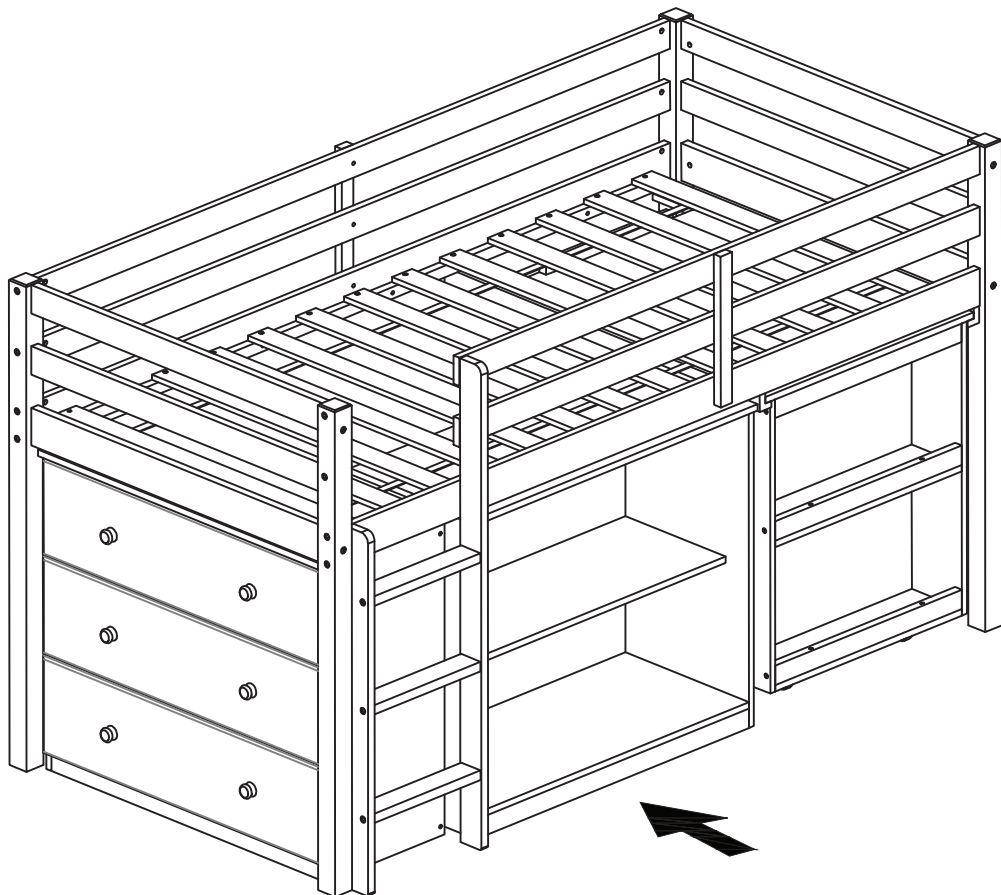
5



24PCS



STEP 8:



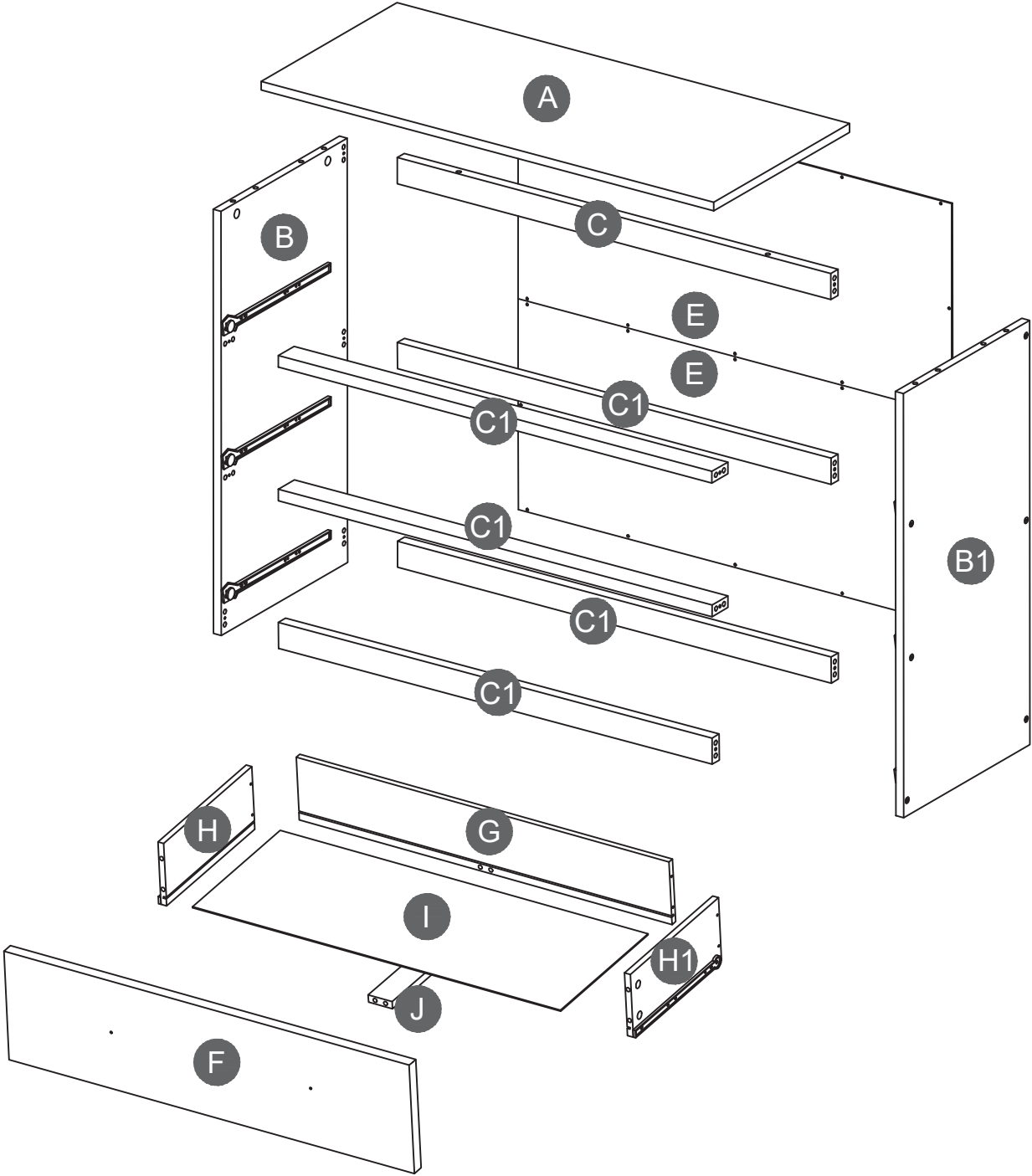
# ASSEMBLY INSTRUCTIONS

## (3-DRAWER CHEST)




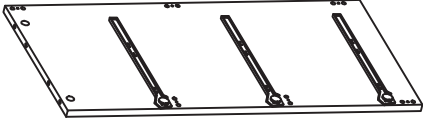
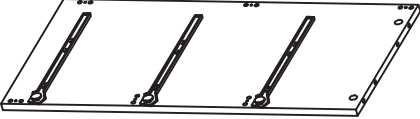

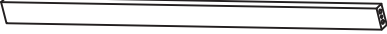


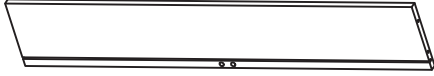
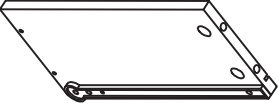
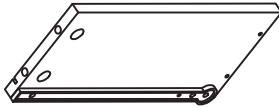

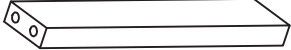
Detail View

**3-Drawer Chest**



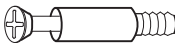




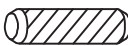





# Part List (3-Drawer Chest)

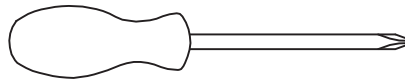
## Hardware List MK 70075 (3/3)

<b>A</b>  <p>Top Panel - 1pc</p>	<b>B</b>  <p>Side Panel (Left) - 1pc</p>
<b>B1</b>  <p>Side Panel (Right) - 1pc</p>	<b>C</b>  <p>Top Support Rail (Back) - 1pc</p>
<b>C1</b>  <p>Support Rail - 5pcs</p>	<b>E</b>  <p>Back Panel - 2pcs</p>
<b>F</b>  <p>Drawer Front Panel - 3pcs</p>	<b>G</b>  <p>Drawer Back Panel - 3pcs</p>
<b>H</b>  <p>Drawer Side Panel (Left) - 3pcs</p>	<b>H1</b>  <p>Drawer Side Panel (Right) - 3pcs</p>
<b>I</b>  <p>Drawer Bottom Panel - 3pcs</p>	<b>J</b>  <p>Drawer Bottom Support - 3pcs</p>

# Hardware List (3-Drawer Chest)

<b>1</b>  M8 x 30mm Wood Dowel (28pcs)	<b>2</b>  M4 x 32mm CSK Screw (14pcs)	<b>3</b>  Connecting Bolt (16pcs)
<b>4</b>  Minifix Housing (Long) (4pcs)	<b>5</b>  M3.5 x 16mm Pan Head Screw (24pcs)	<b>6</b>  M4 x 25mm CSK Screw (12pcs)
<b>7</b>  Minifix Housing (Short) (12pcs)	<b>8</b>  M6 x 25mm Wood Dowel (12pcs)	<b>9</b>  Sticker Cap (12pcs)
<b>10</b>  M4 x 25mm Handle Screw (6pcs)	<b>11</b>  Handle (6pcs)	

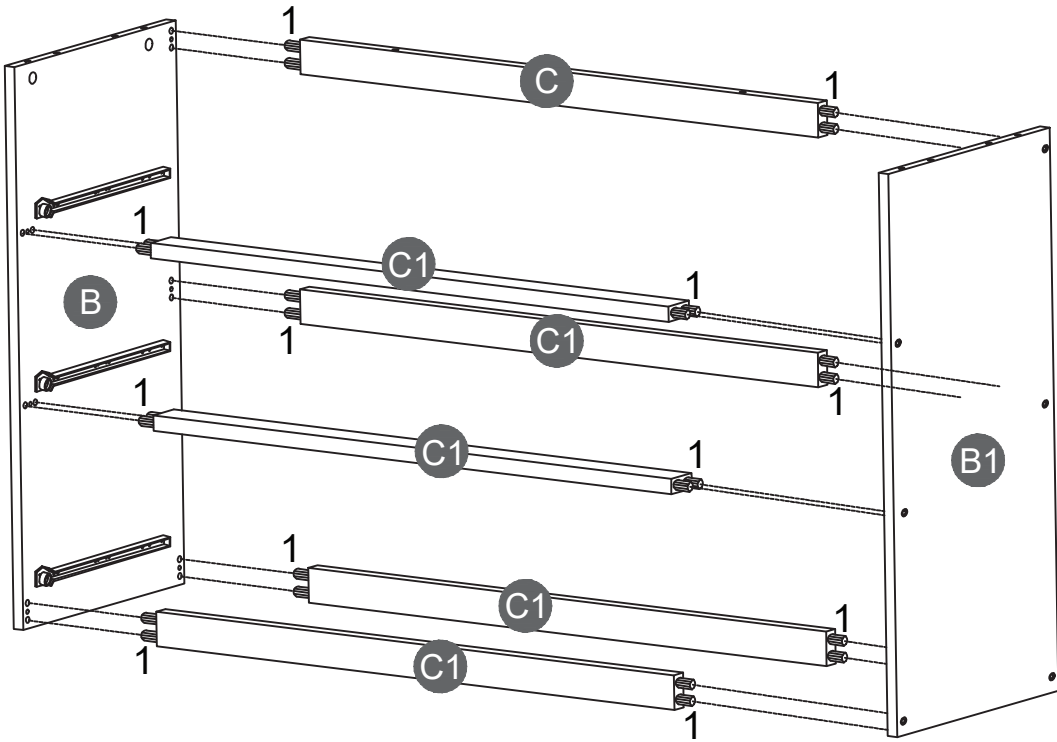
## ASSEMBLY TOOLS REQUIRED ( NOT INCLUDED )





**PLEASE BE CAREFUL DO NOT DAMAGE THE HOLE POSITION WHEN YOU USE POWER TOOLS !**

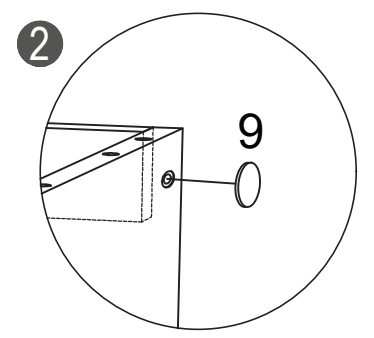
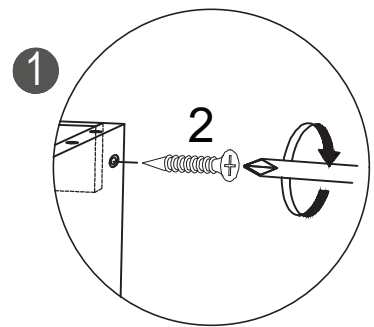
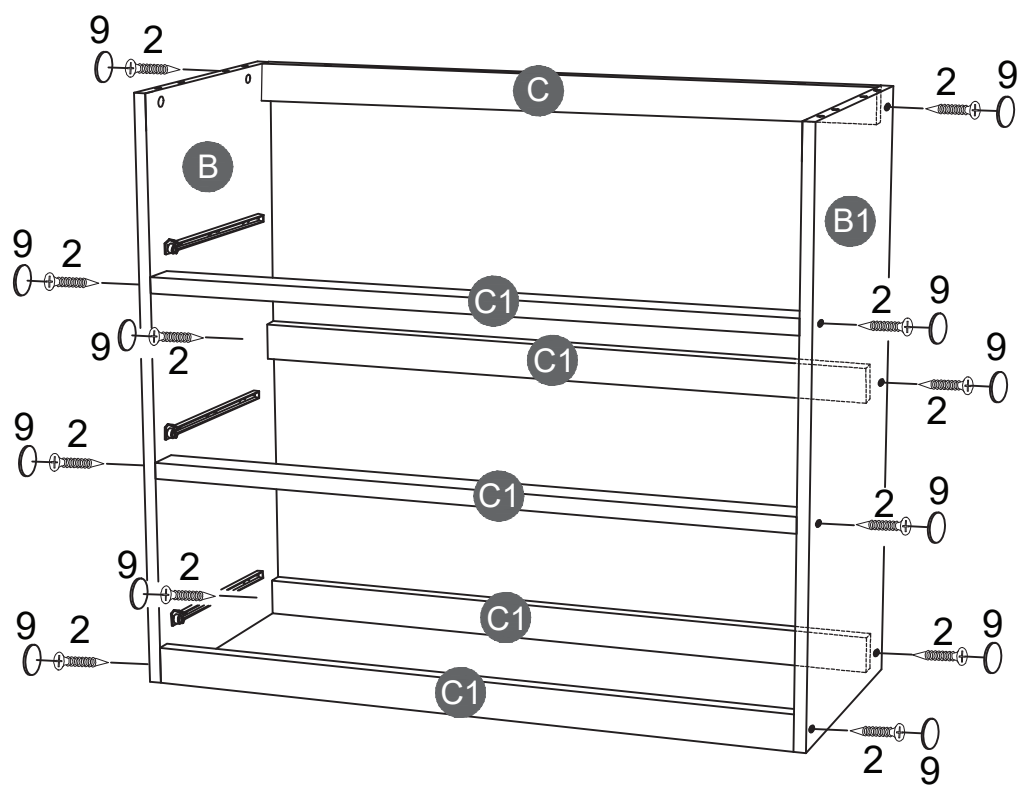
# STEP 1:

<b>1</b>	
<b>24PCS</b>	

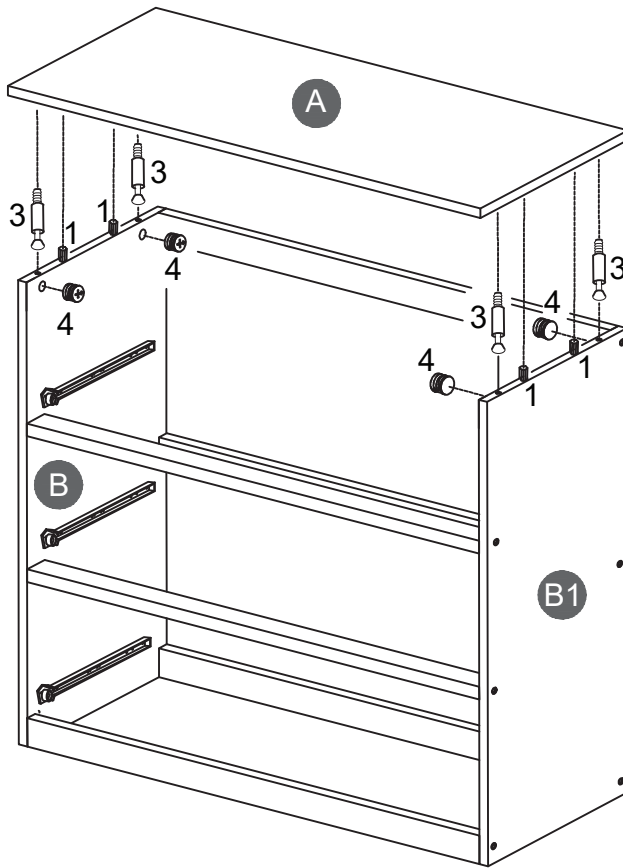





# STEP 2:

<b>2</b>		<b>9</b>	
<b>12PCS</b>		<b>12PCS</b>	

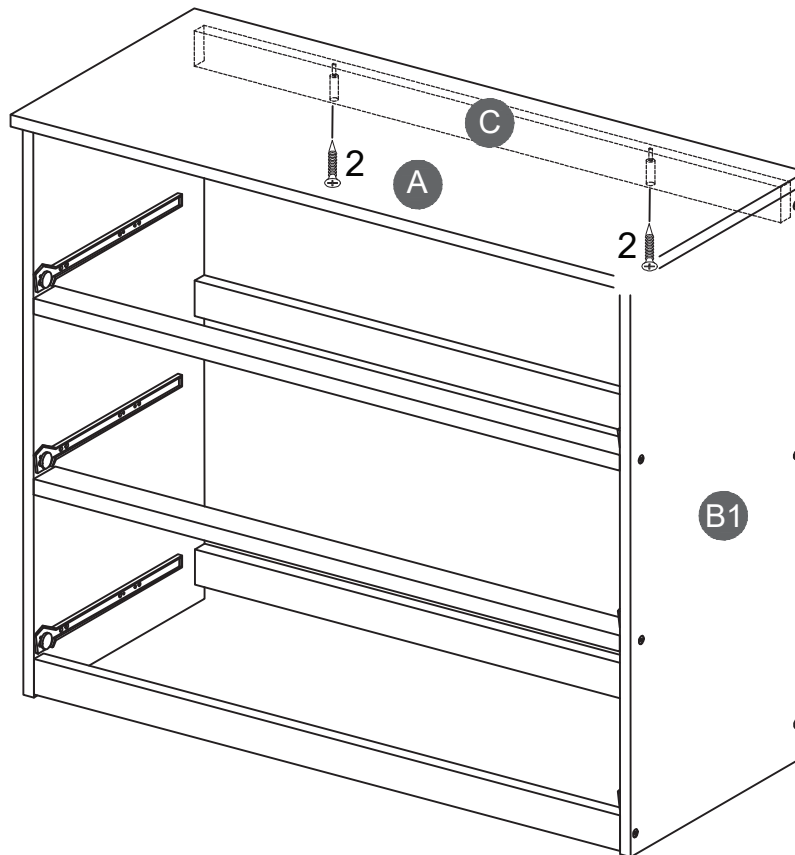



STEP 3:



<b>1</b>		<b>3</b>		<b>4</b>	
<b>4PCS</b>		<b>4PCS</b>		<b>4PCS</b>	

STEP 4:



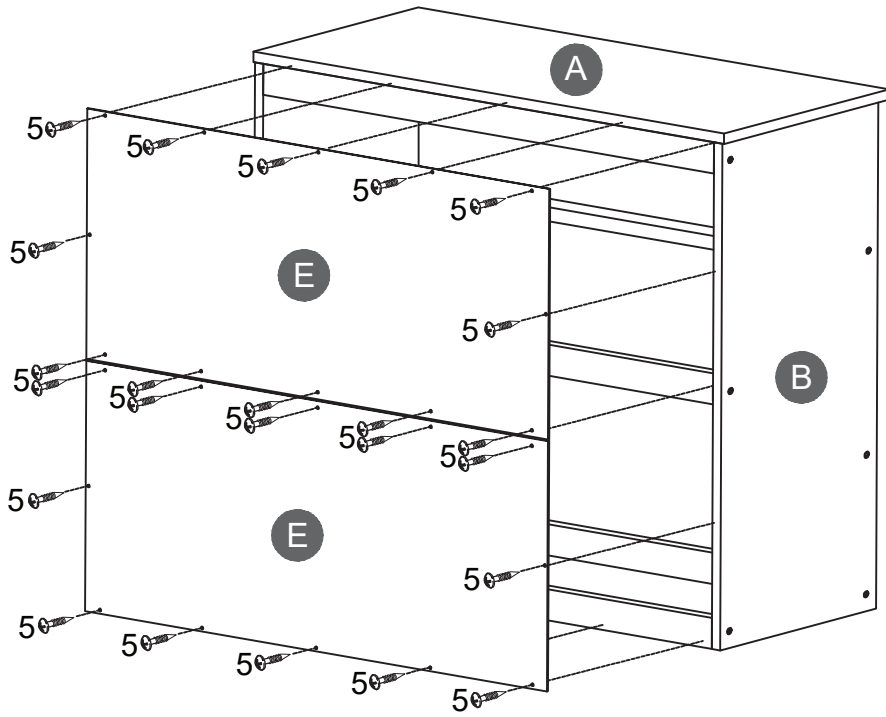
<b>2</b>	
<b>2PCS</b>	

STEP 5:

5



24PCS



STEP 6:

3



12PCS

7

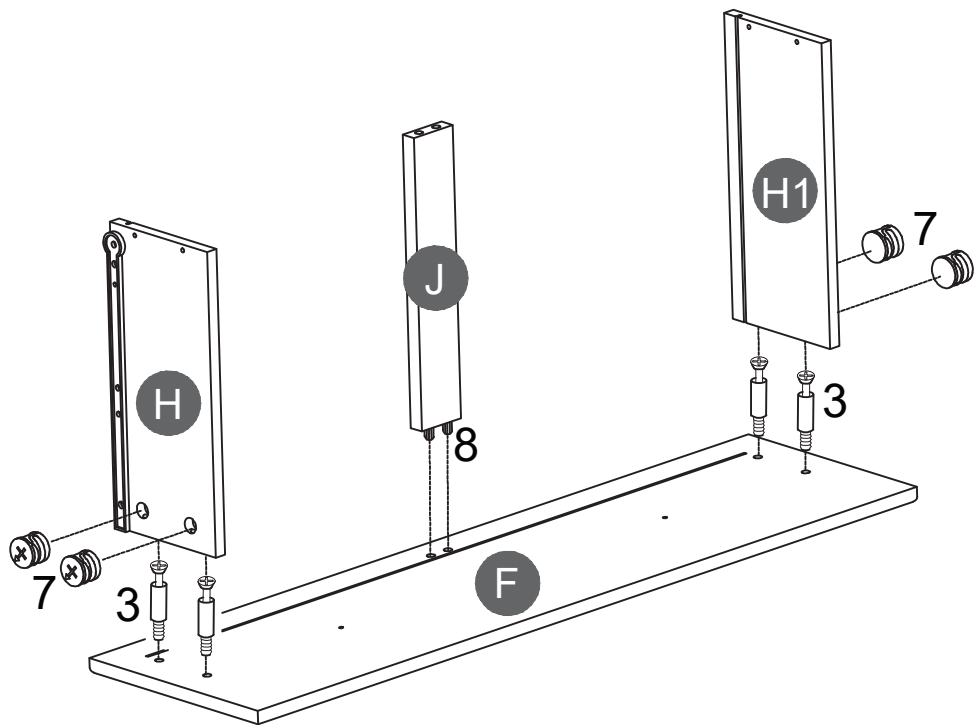


12PCS

8

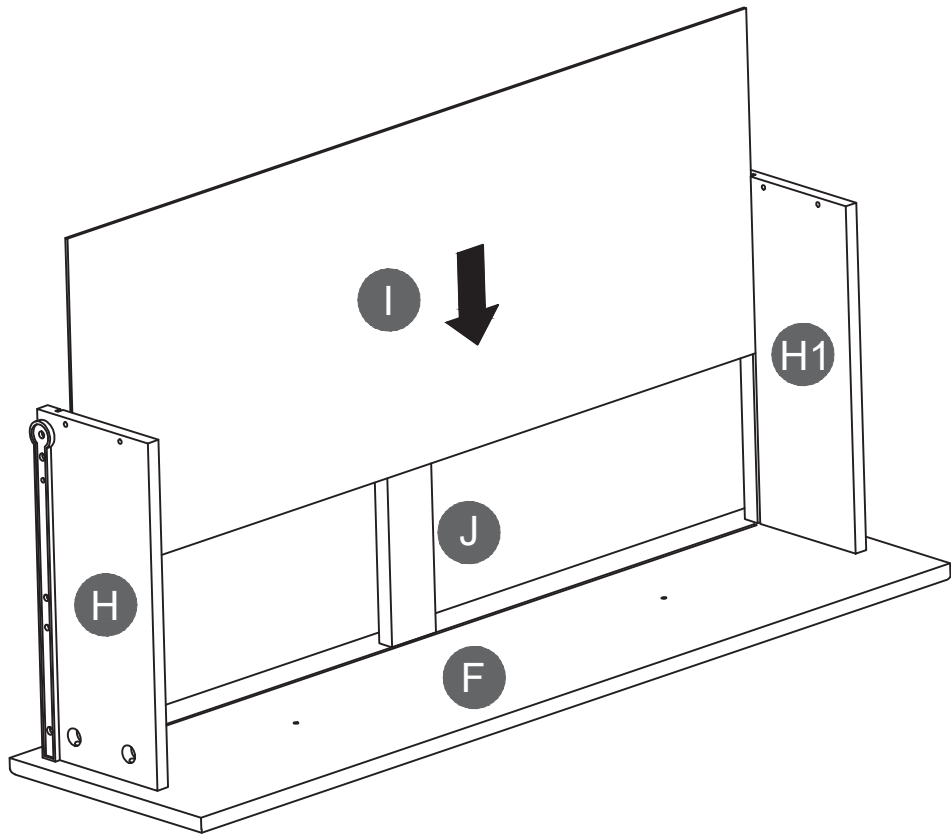


6PCS



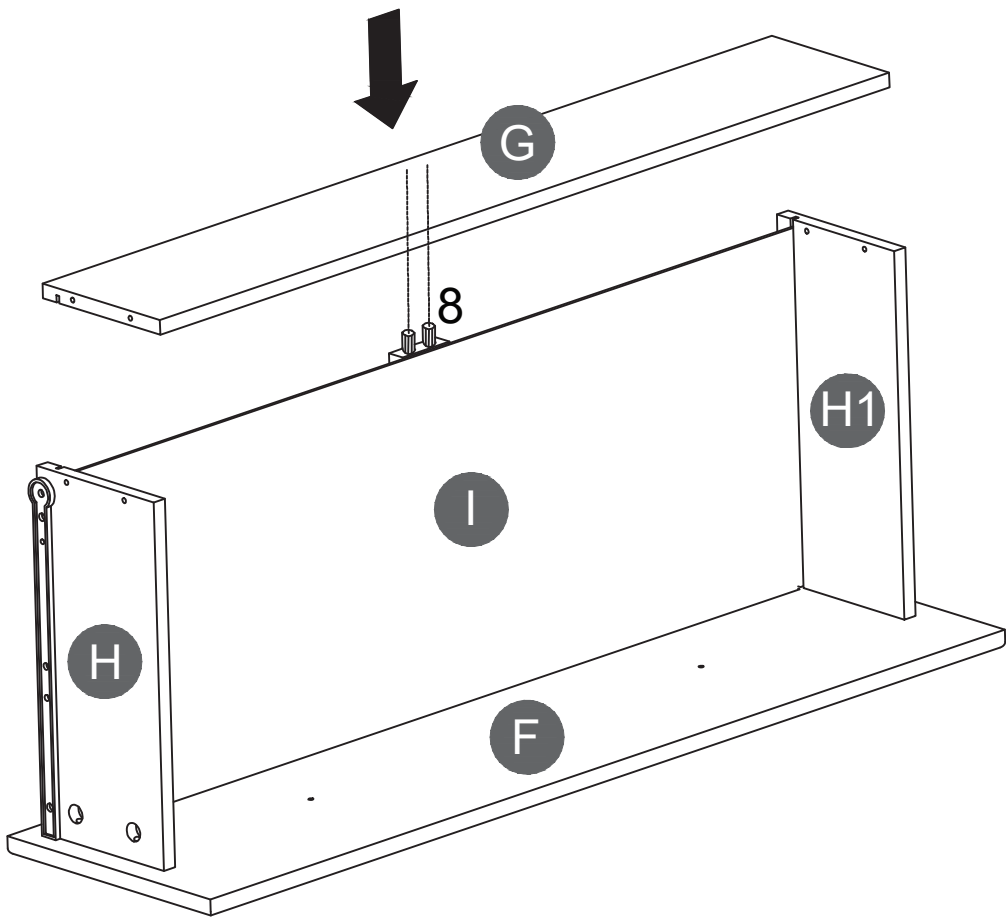
x 3


STEP 7:



x 3

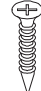


STEP 8:

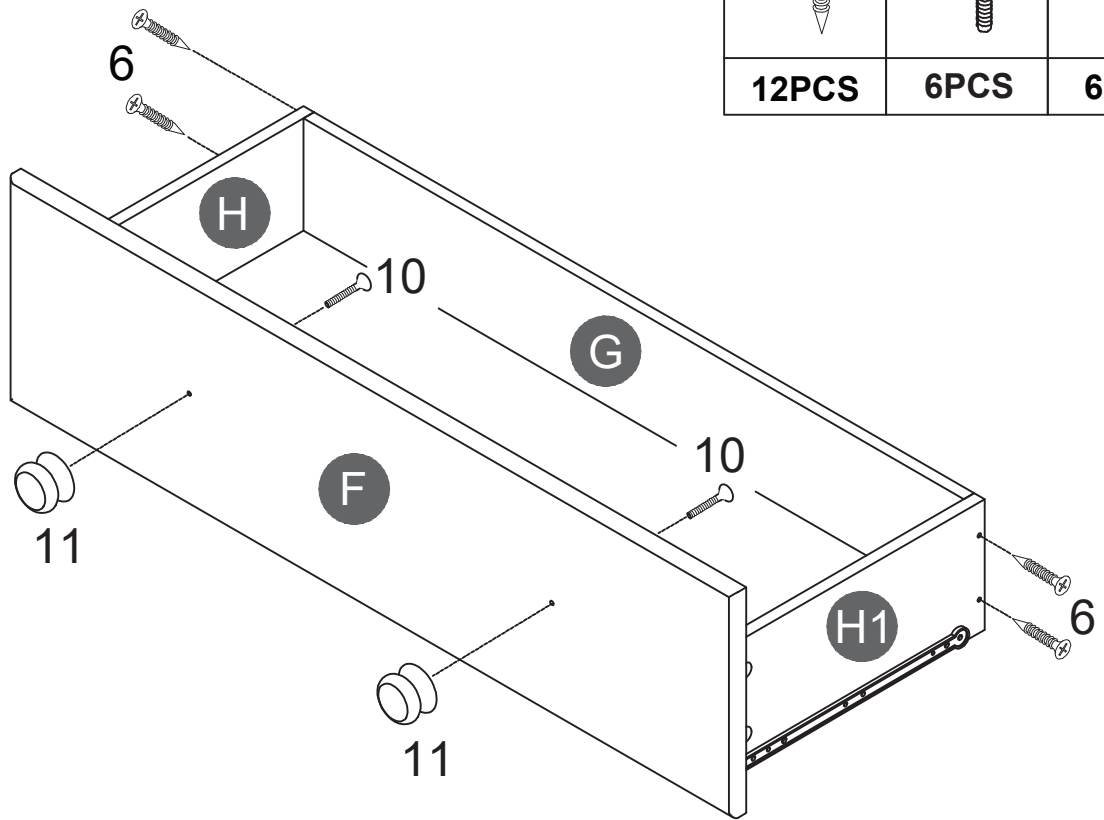


8	
6PCS	

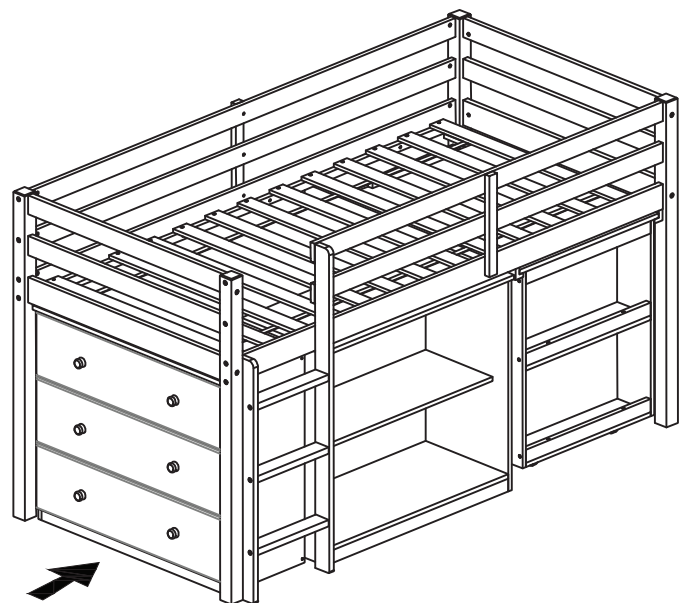
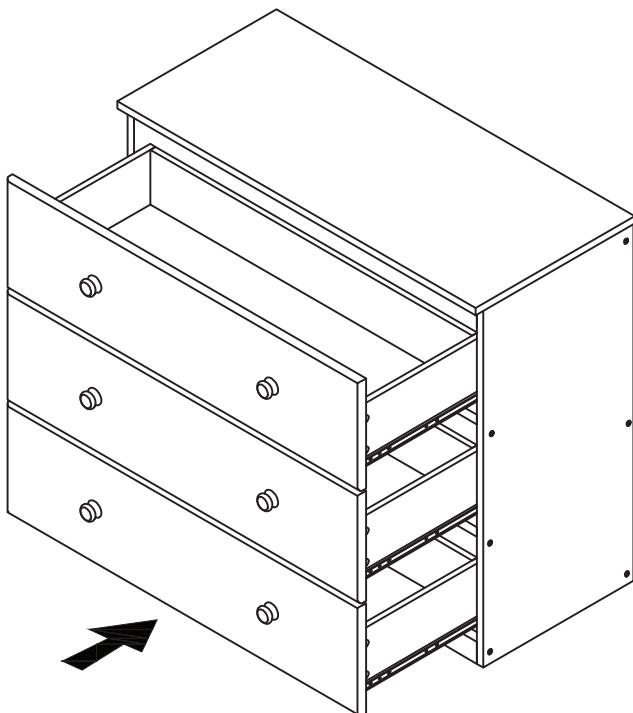
x 3

**STEP 9:**

<b>6</b>		<b>10</b>		<b>11</b>	
<b>12PCS</b>		<b>6PCS</b>		<b>6PCS</b>	

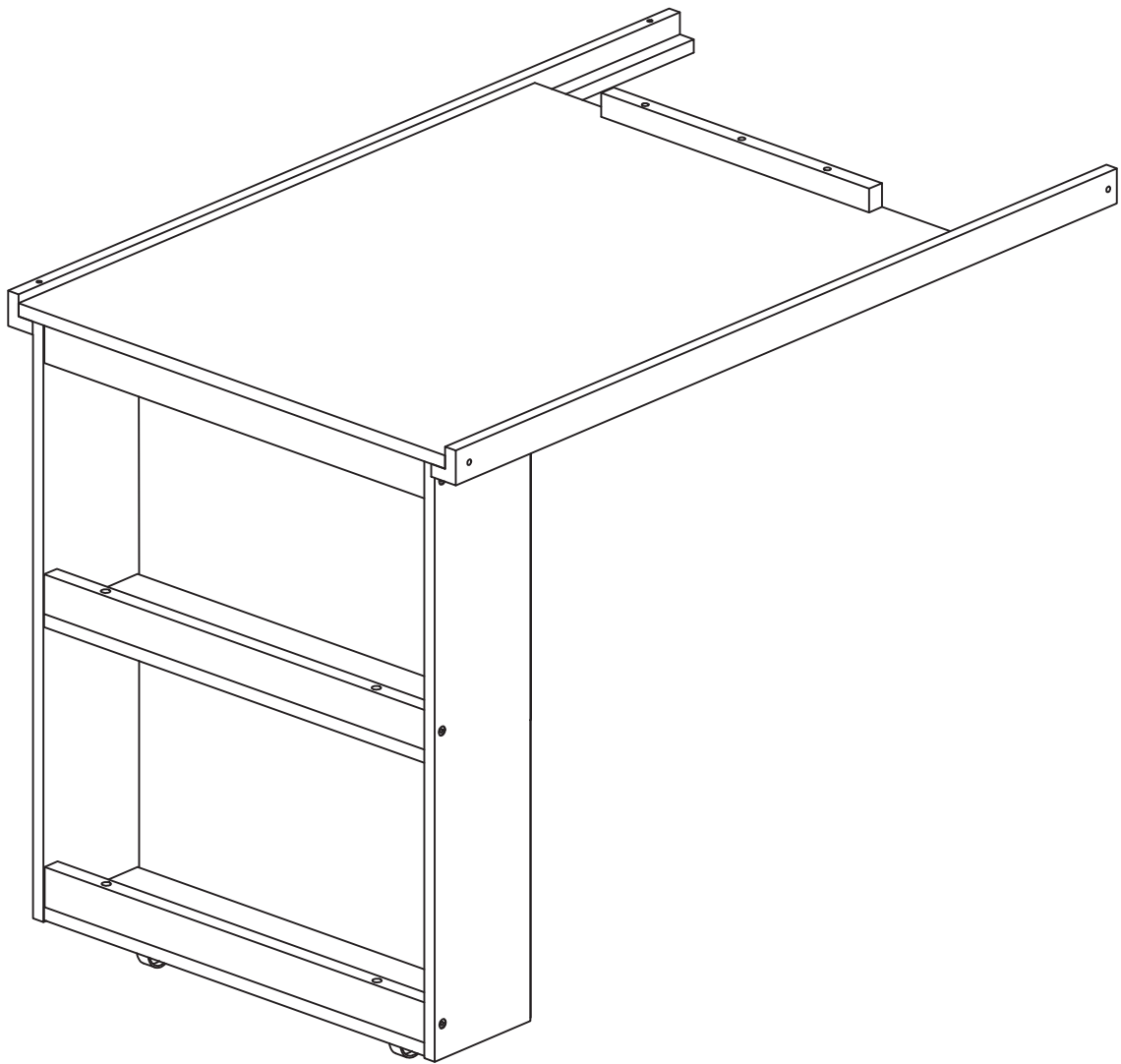


**STEP 10:**



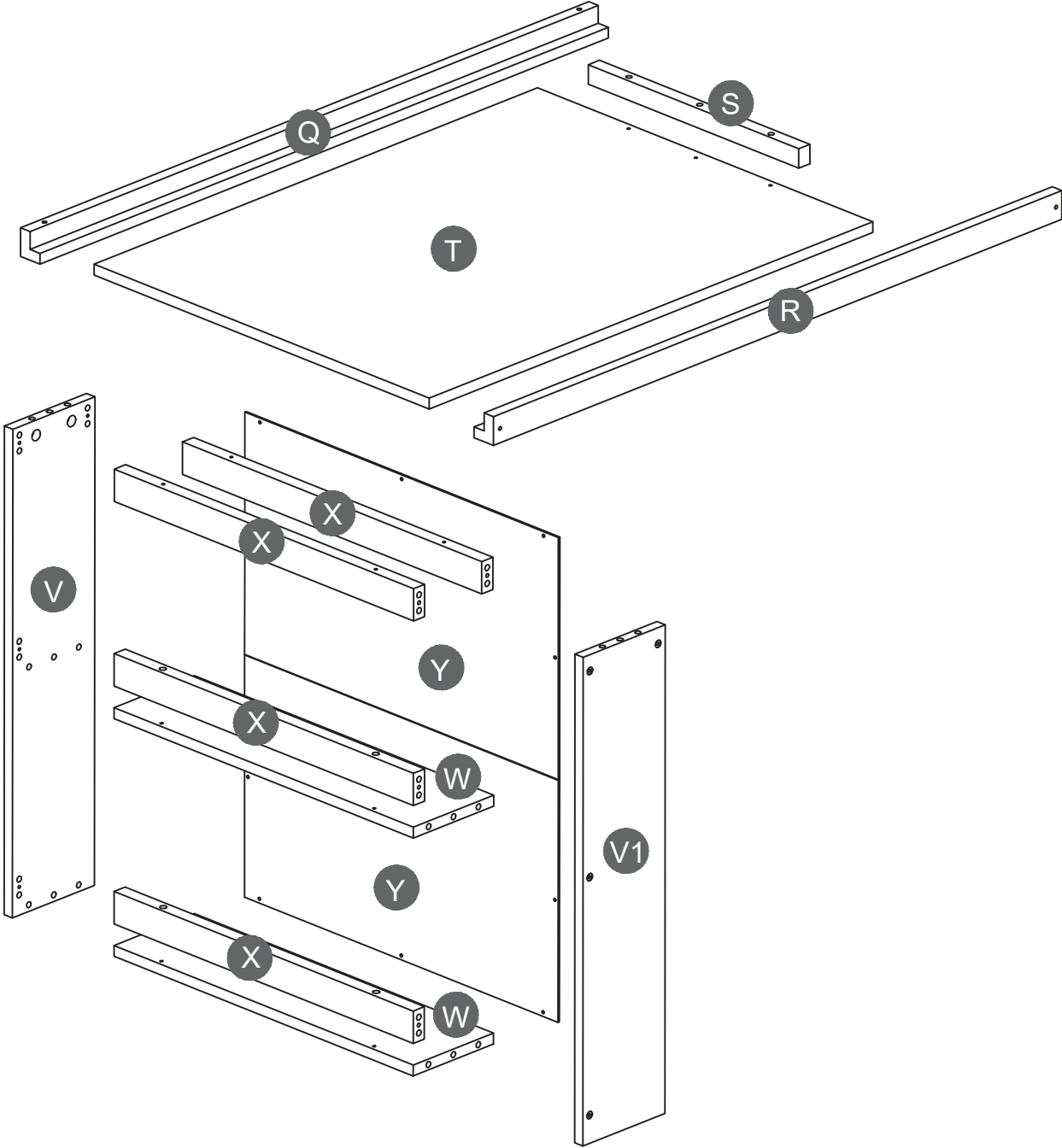
# ASSEMBLY INSTRUCTIONS

(DESK)



# Detail View

## Desk



# Part List (Desk)

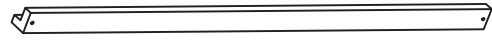
## Hardware List MK 70075 (3/3)

**Q**



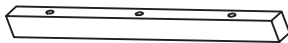
Desk Rail (Left) - 1pc

**R**



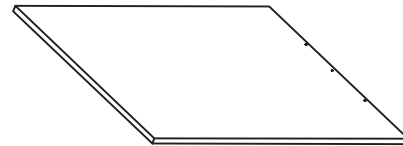
Desk Rail (Right) - 1pc

**S**



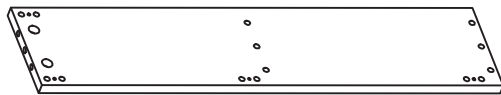
Desk Stopper - 1pc

**T**



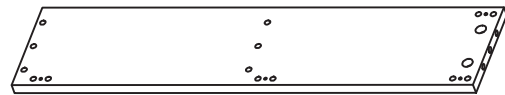
Top Panel - 1pc

**V**



Side Panel (Left) - 1pc

**V1**



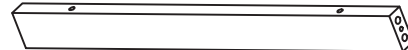
Side Panel (Right) - 1pc

**W**



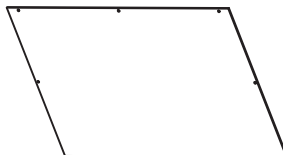
Shelf & Bottom Panel - 2pcs

**X**



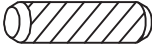

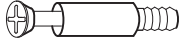


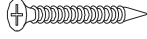



Support Rail - 4pcs

**Y**

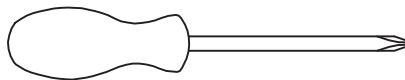


Back Panel - 2pcs

# Hardware List (Desk)

<b>1</b>  M8 x 30mm Wood Dowel (24pcs)	<b>2</b>  M4 x 32mm CSK Screw (19pcs)	<b>3</b>  Connecting Bolt (12pcs)
<b>4</b>  Minifix Housing (Long) (12pcs)	<b>5</b>  Back Panel Metal Plate (3pcs)	<b>6</b>  M4 x 38mm CSK Screw (4pcs)
<b>7</b>  M3.5 x 16mm Pan Head Screw (21pcs)	<b>8</b>  Caster (2pcs)	<b>9</b>  Sticker Cap (8pcs)

## ASSEMBLY TOOLS REQUIRED ( NOT INCLUDED )



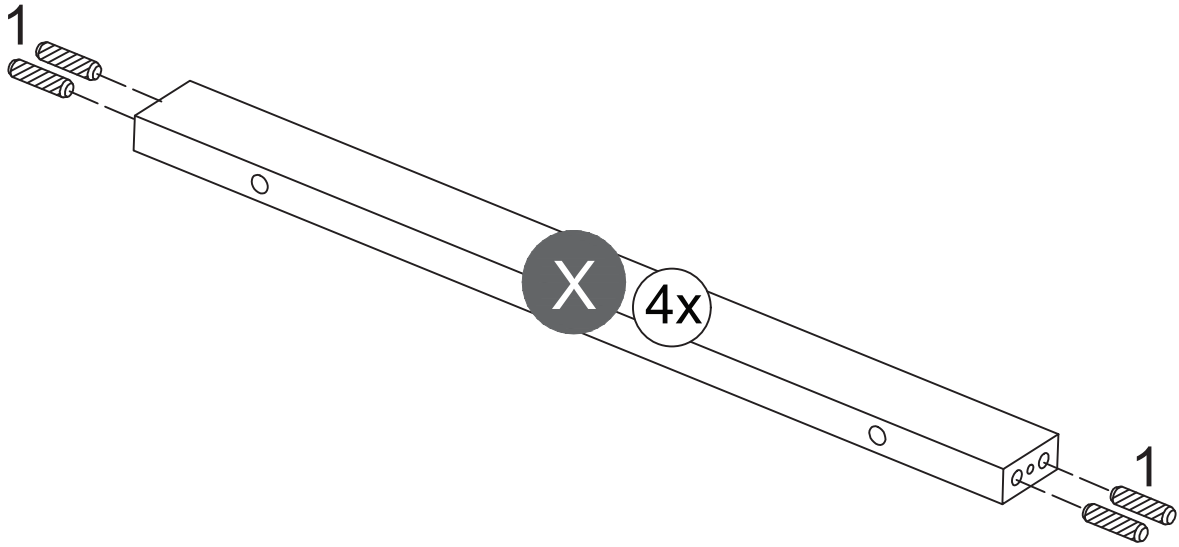
**PLEASE BE CAREFUL DO NOT DAMAGE THE HOLE POSITION WHEN YOU USE POWER TOOLS !**

STEP 1:

1



16PCS



STEP 2:

1

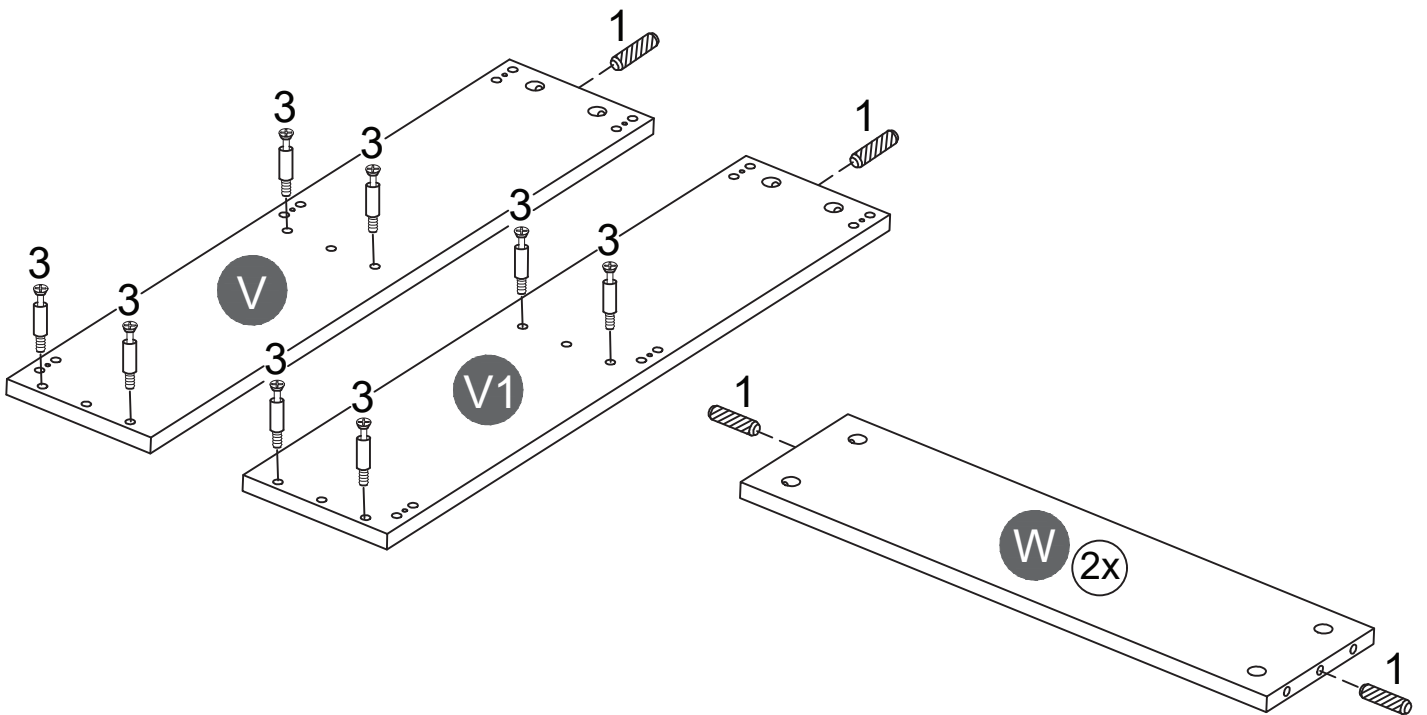


6PCS



3

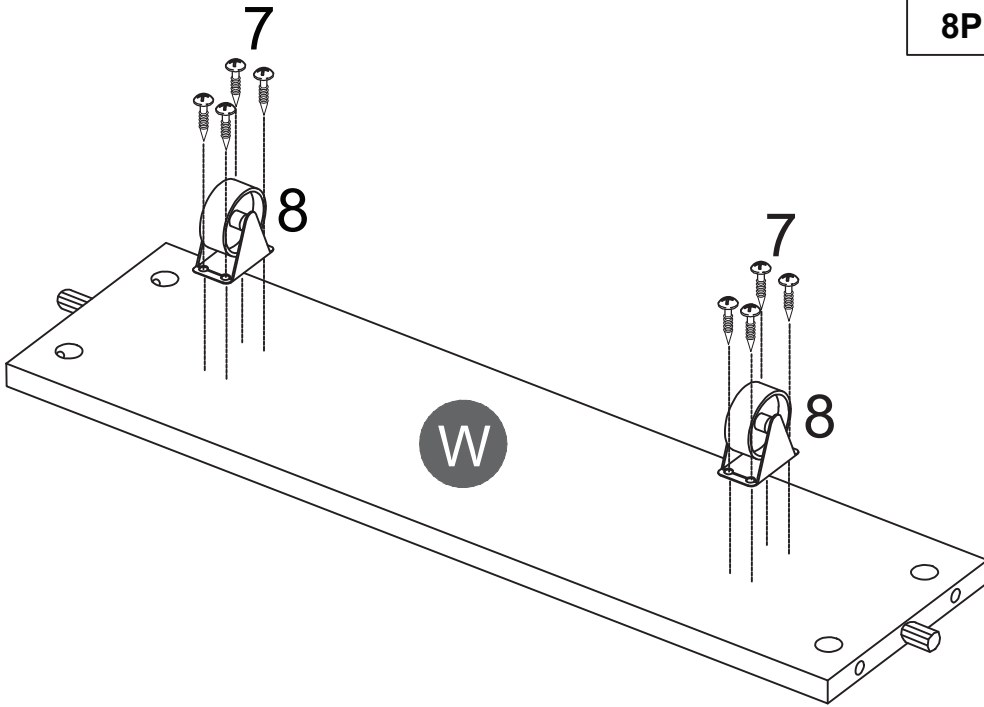


8PCS




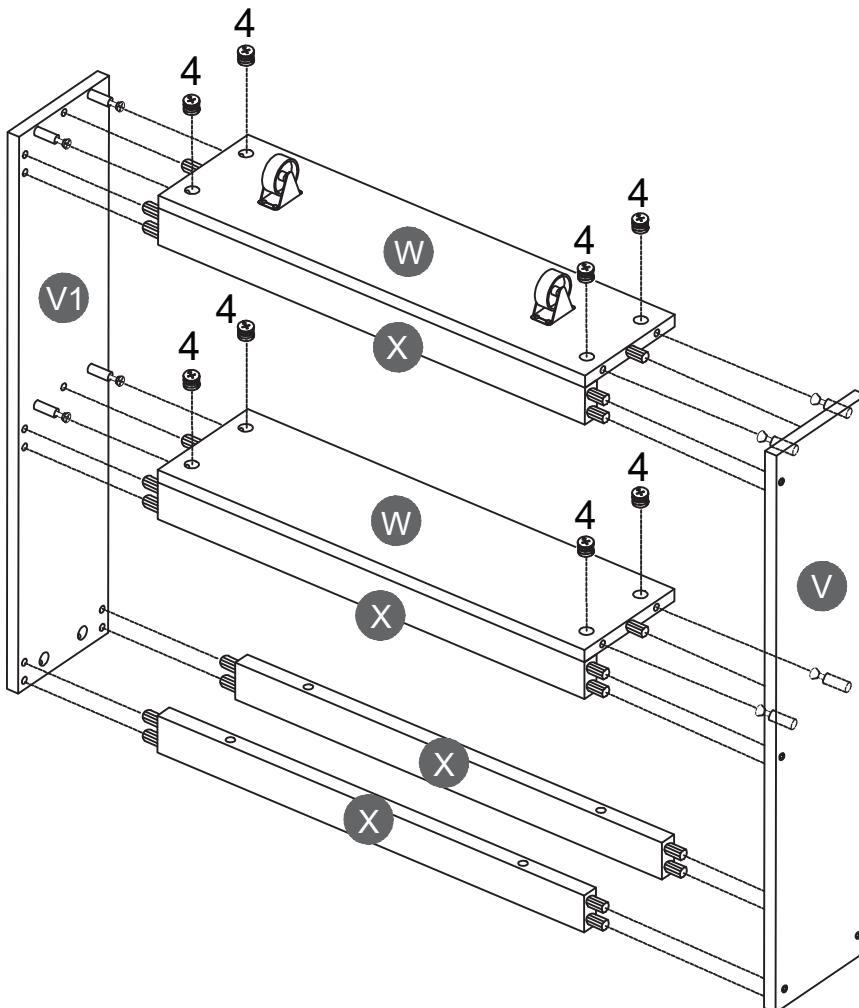
STEP 3:

<b>7</b>		<b>8</b>	
<b>8PCS</b>		<b>2PCS</b>	

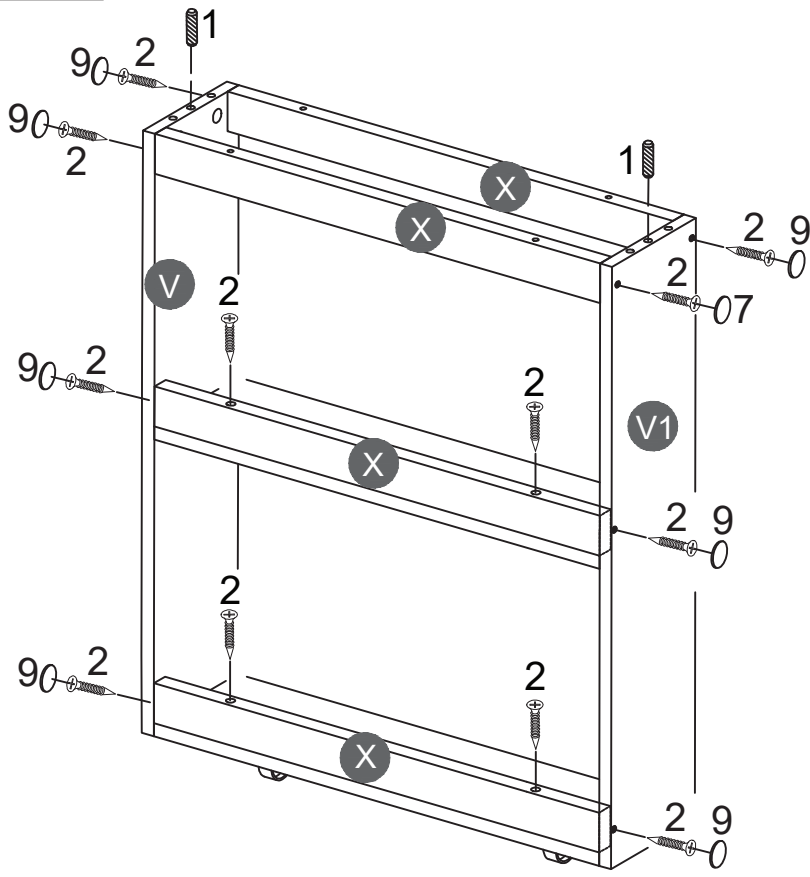





STEP 4:

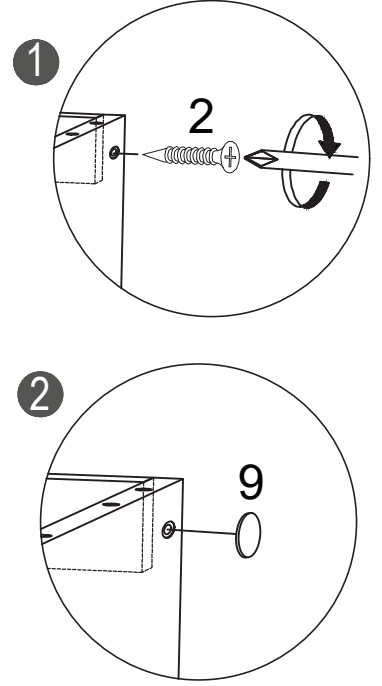
<b>4</b>	
<b>8PCS</b>	



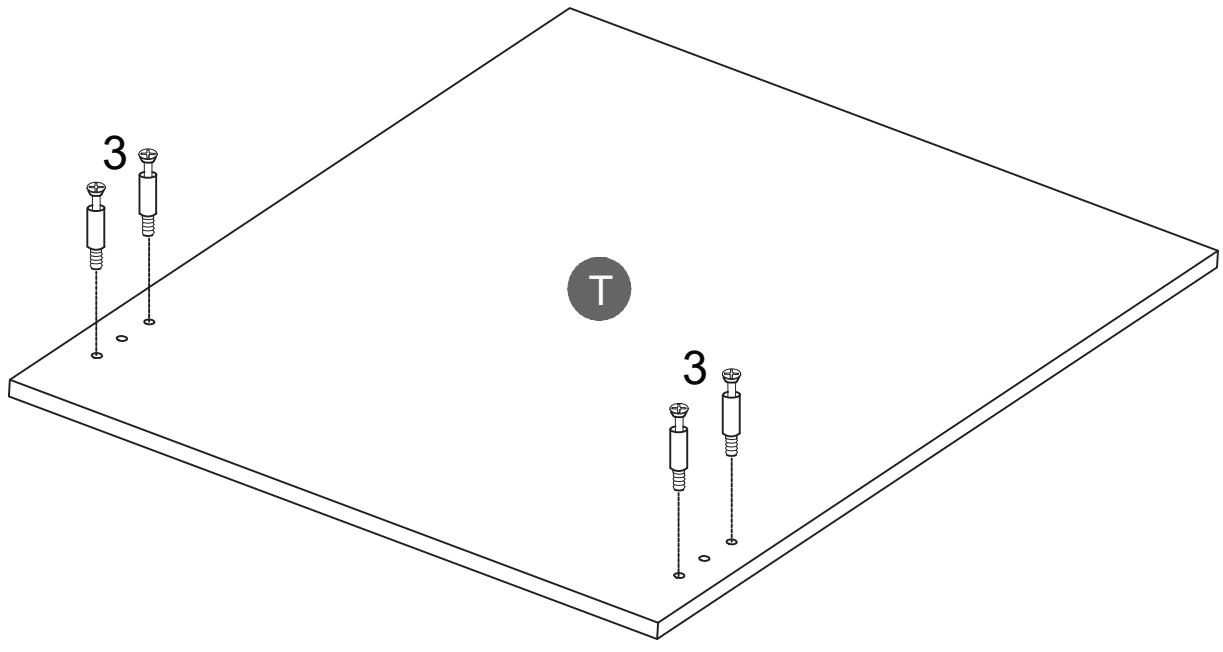
**STEP 5:**




<b>1</b>		<b>2</b>		<b>9</b>	
	<b>2PCS</b>		<b>12PCS</b>		<b>8PCS</b>

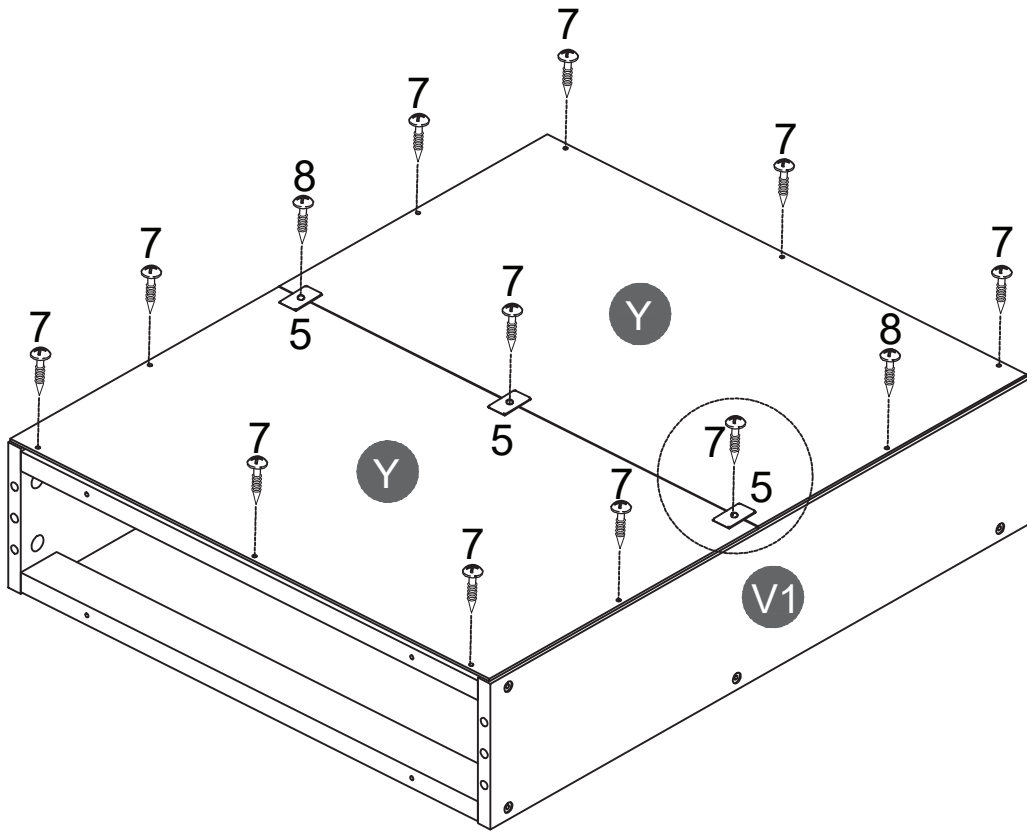




**STEP 6:**

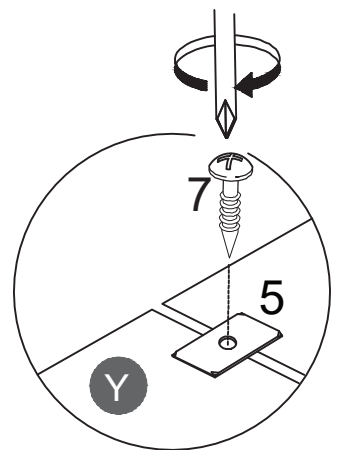


<b>3</b>	
	<b>4PCS</b>

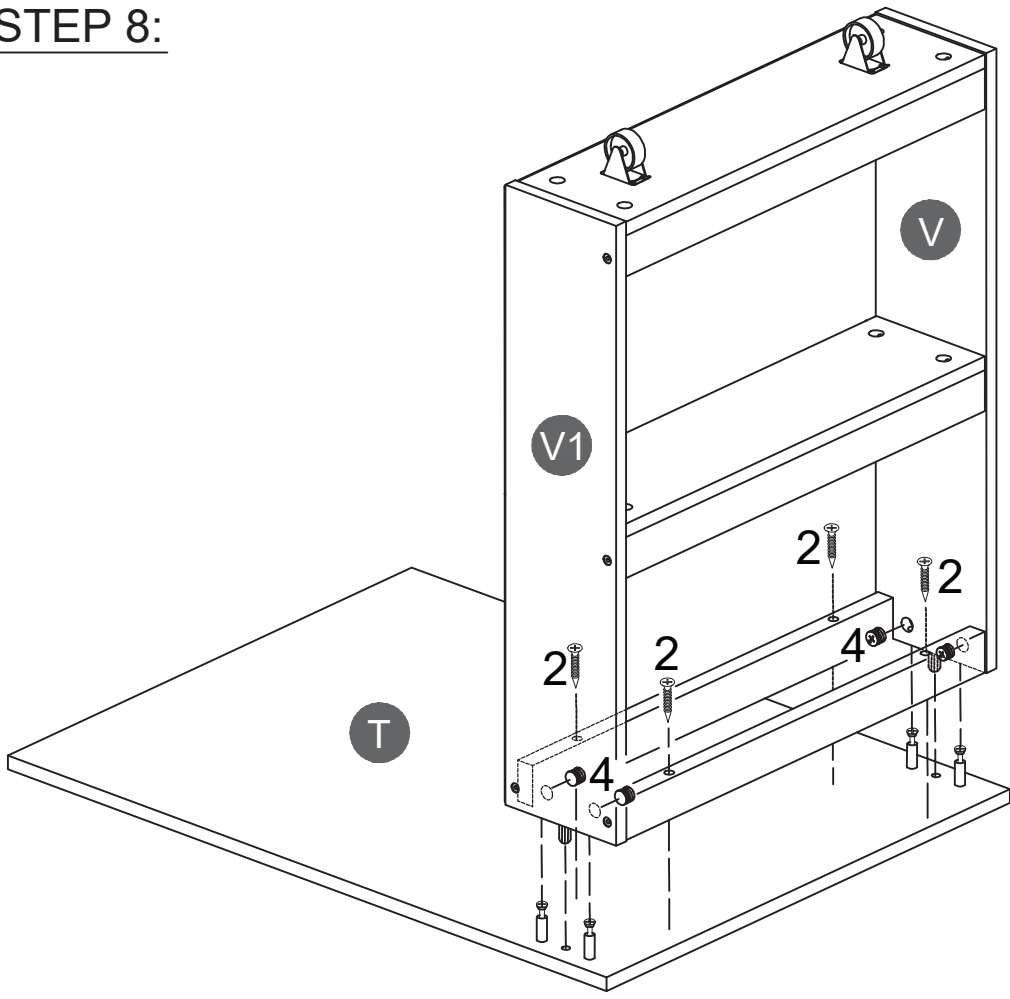
**STEP 7:**





<b>5</b>		<b>7</b>	
<b>3PCS</b>		<b>13PCS</b>	

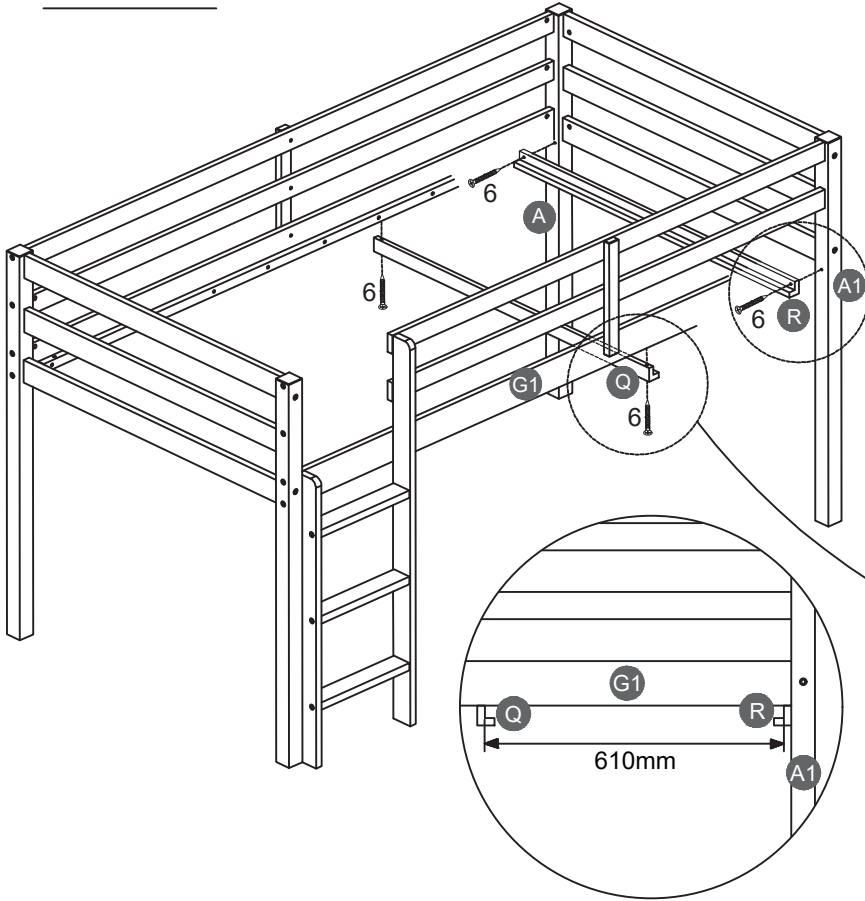


**STEP 8:**



<b>2</b>		<b>4</b>	
<b>4PCS</b>		<b>4PCS</b>	

**STEP 9:**

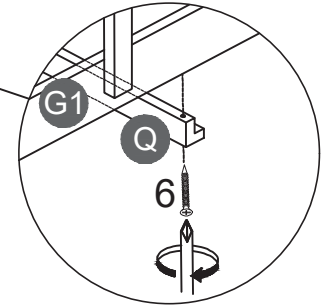
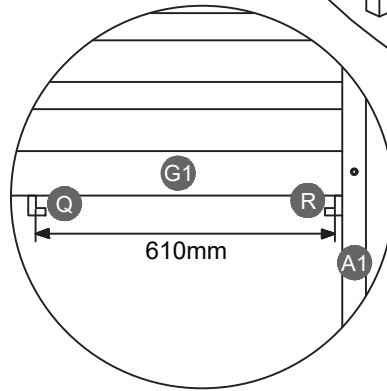
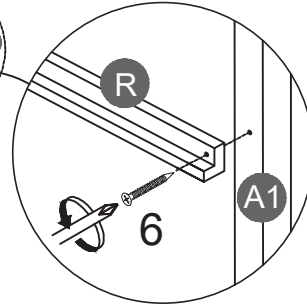


6

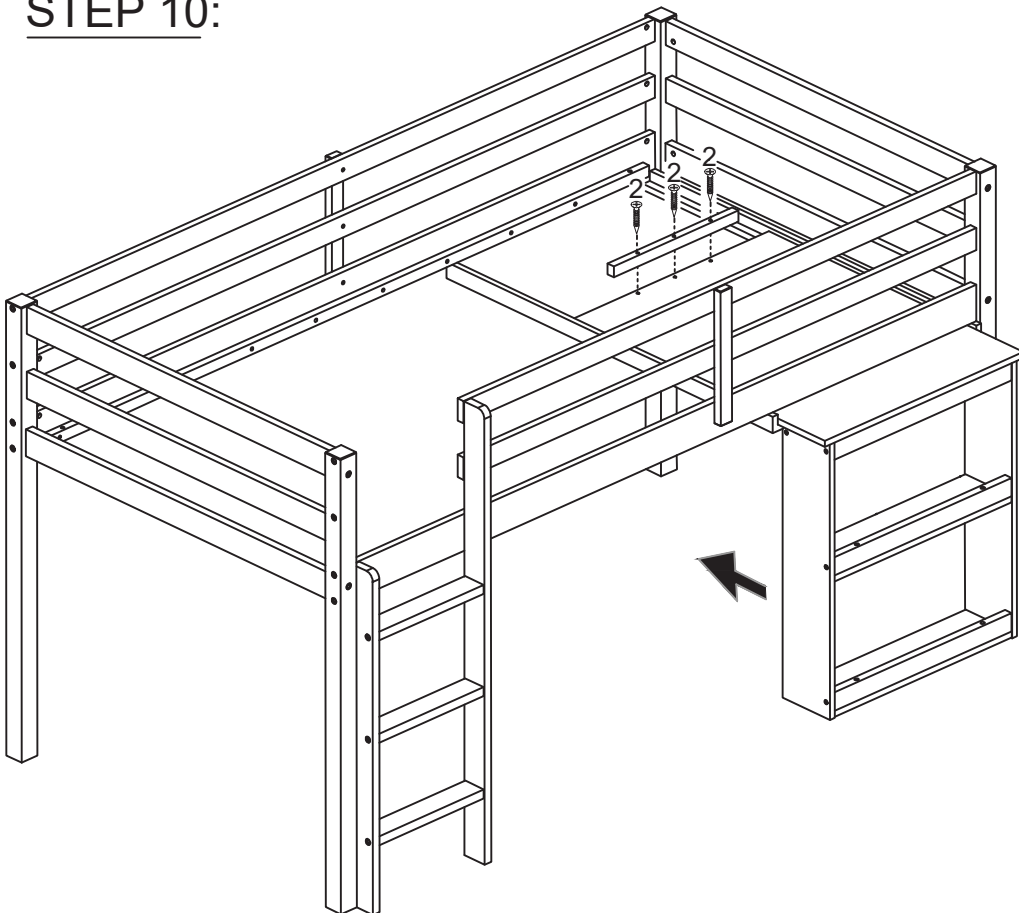


4PCS

**REMARKS:**  
CSK Screw  
M4 x 38mm  
**\*BE CAREFUL!**



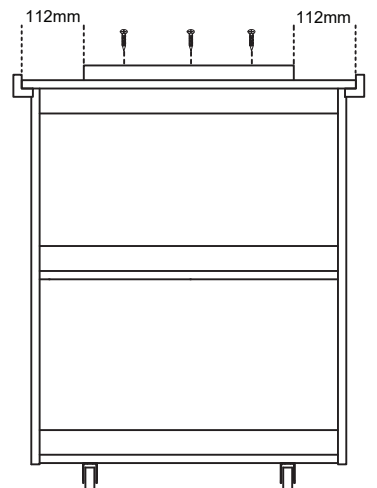
**STEP 10:**




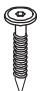
2

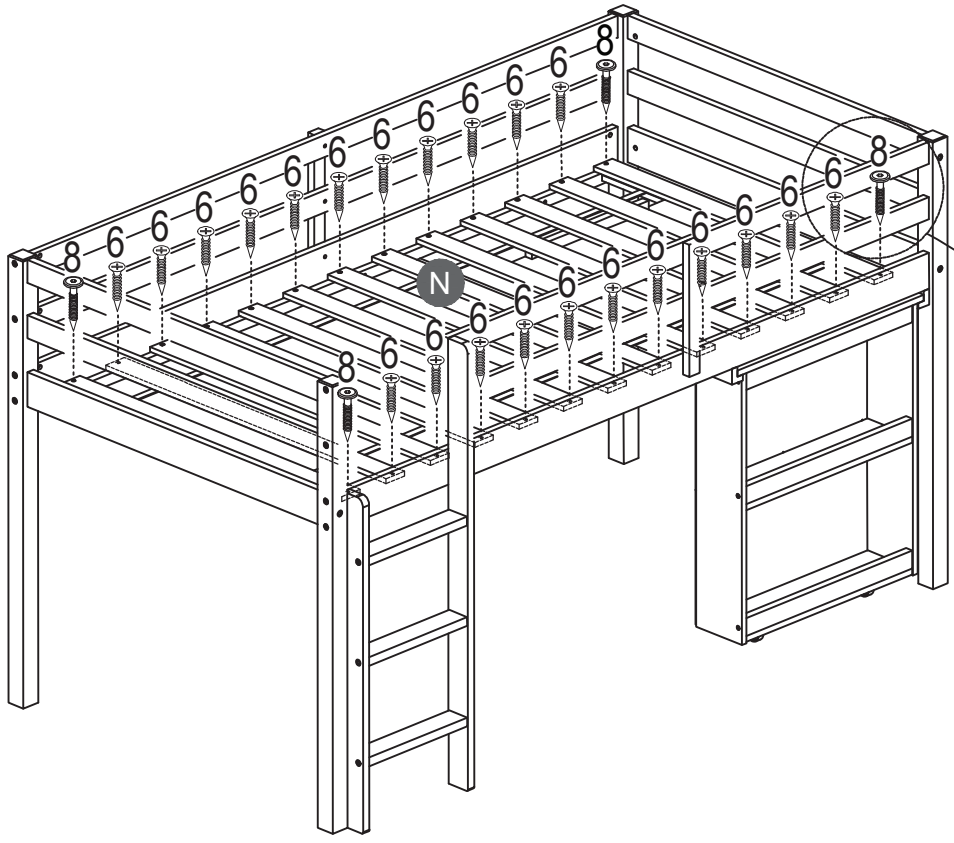


3PCS

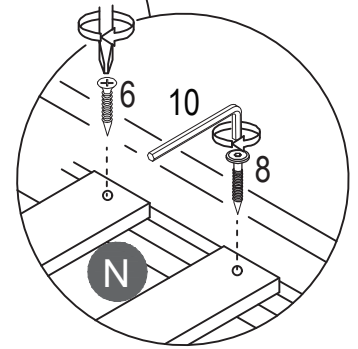


# STEP 11:

<b>6</b>		<b>8</b>	
<b>22PCS</b>		<b>4PCS</b>	



**REMARKS:**  
 Get the  
 CSK Screw M4 x 25mm (**6**)  
 and JCBC-W M6 x 30mm (**8**)  
 from the Bed Hardware (1/3).  
**\*BE CAREFUL!**



# STEP 12:

