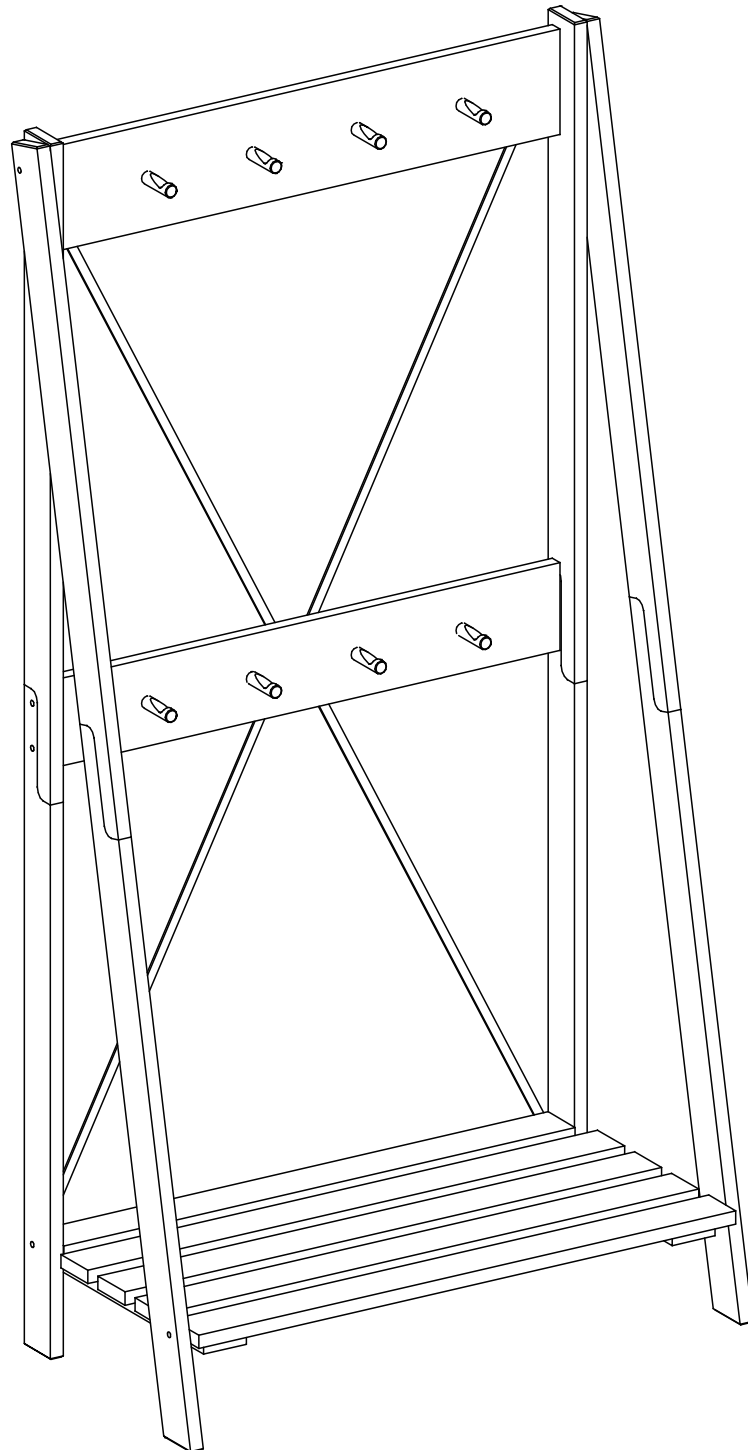
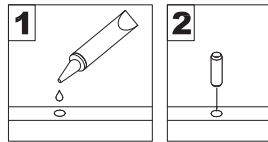


Assembly Instructions

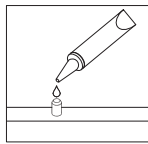


General Assembly Guidelines

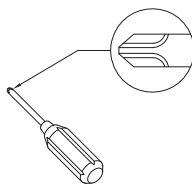
- I. Ensure that all parts and hardware are available before beginning assembly.
- II. Follow each step carefully to ensure the proper assembly of this product.
- III. Two people are recommended for ease in the assembly of this product.
- IV. The three main types of hardware used to assemble this product are : wood dowels , screws and bolts.
- V. The provided glue is to secure wood dowels in place . When first inserting dowels , locate the appropriate hole for the dowel , place a small amount of glue in the hole and insert the dowel . Wipe away excess glue immediately.



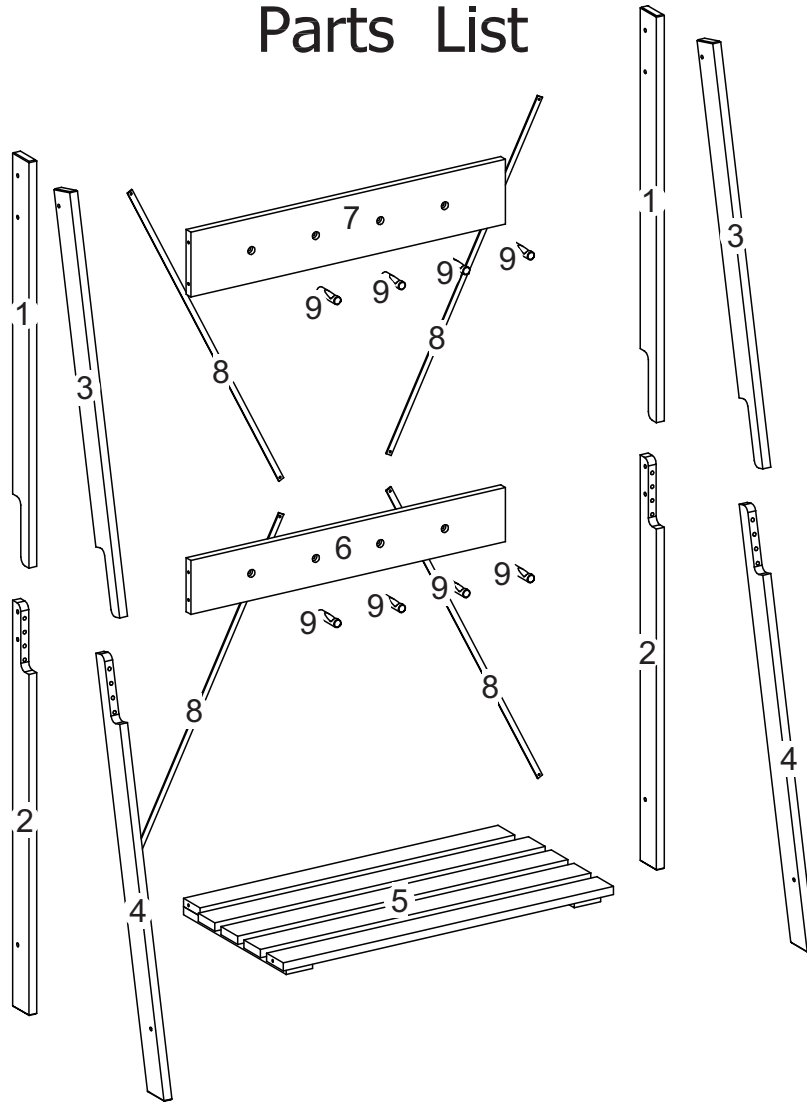
In future assembly steps when dowels are necessary to attach assembly parts together , place a small amount of glue on the end of the dowel before attaching parts together . Wipe away excess glue immediately.











- VI. A Philips head screwdriver is required for this assembly. We do not recommend using power tools.



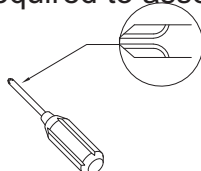
Parts List



Hardware List

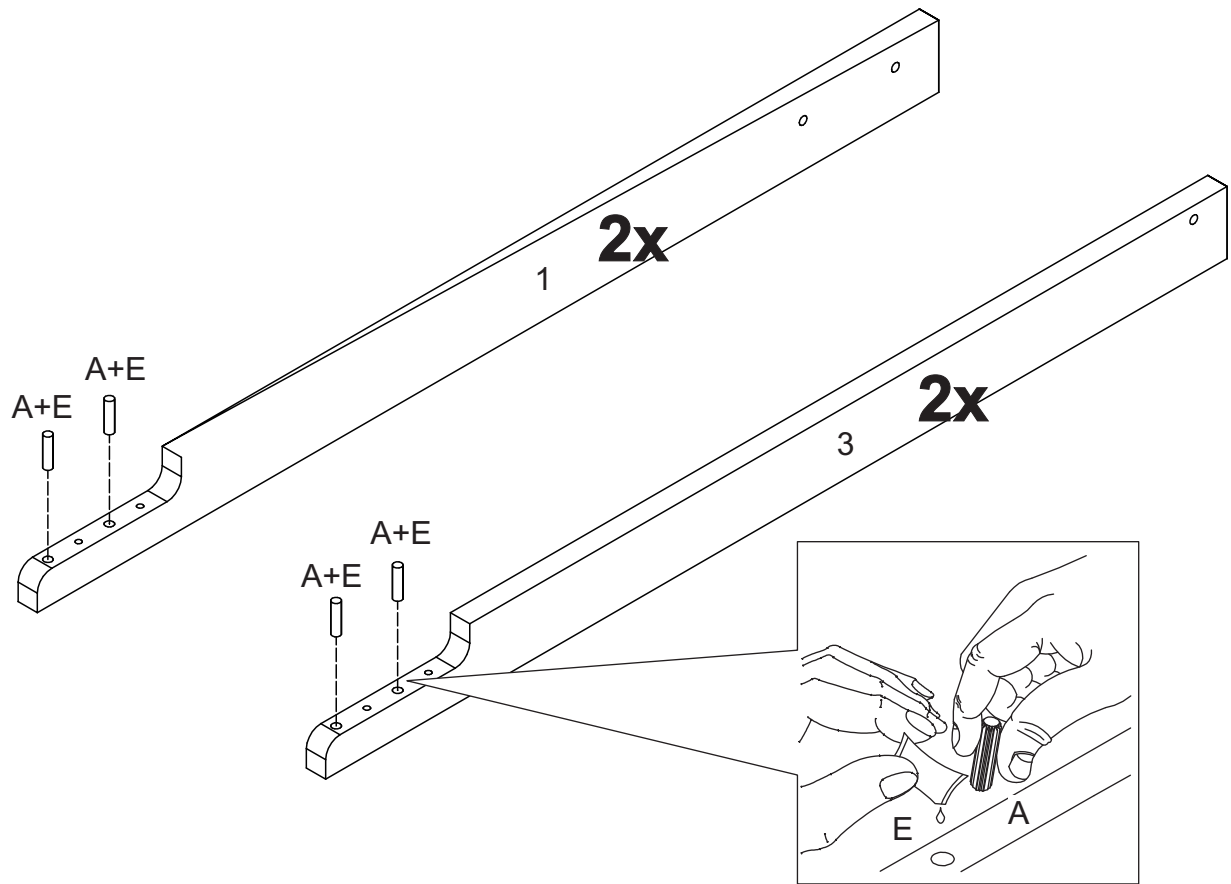
A		Ø8.0x30mm	Wooden dowel	08 pcs
B		Ø7x80mm	Screw	02 pcs
C		Ø7x60mm	Screw	18 pcs
D		M4mm	Hex Key	01 pcs
E			Glue tube	01 pcs
F		Ø3.5x16mm	Screw	08 pcs
G		Ø7x30mm	Screw	08 pcs
Y			Wall Anchor	01 pcs

A Philip's Screwdriver (not included) is required to assemble this product. We do not recommend that power tools be used on this product.



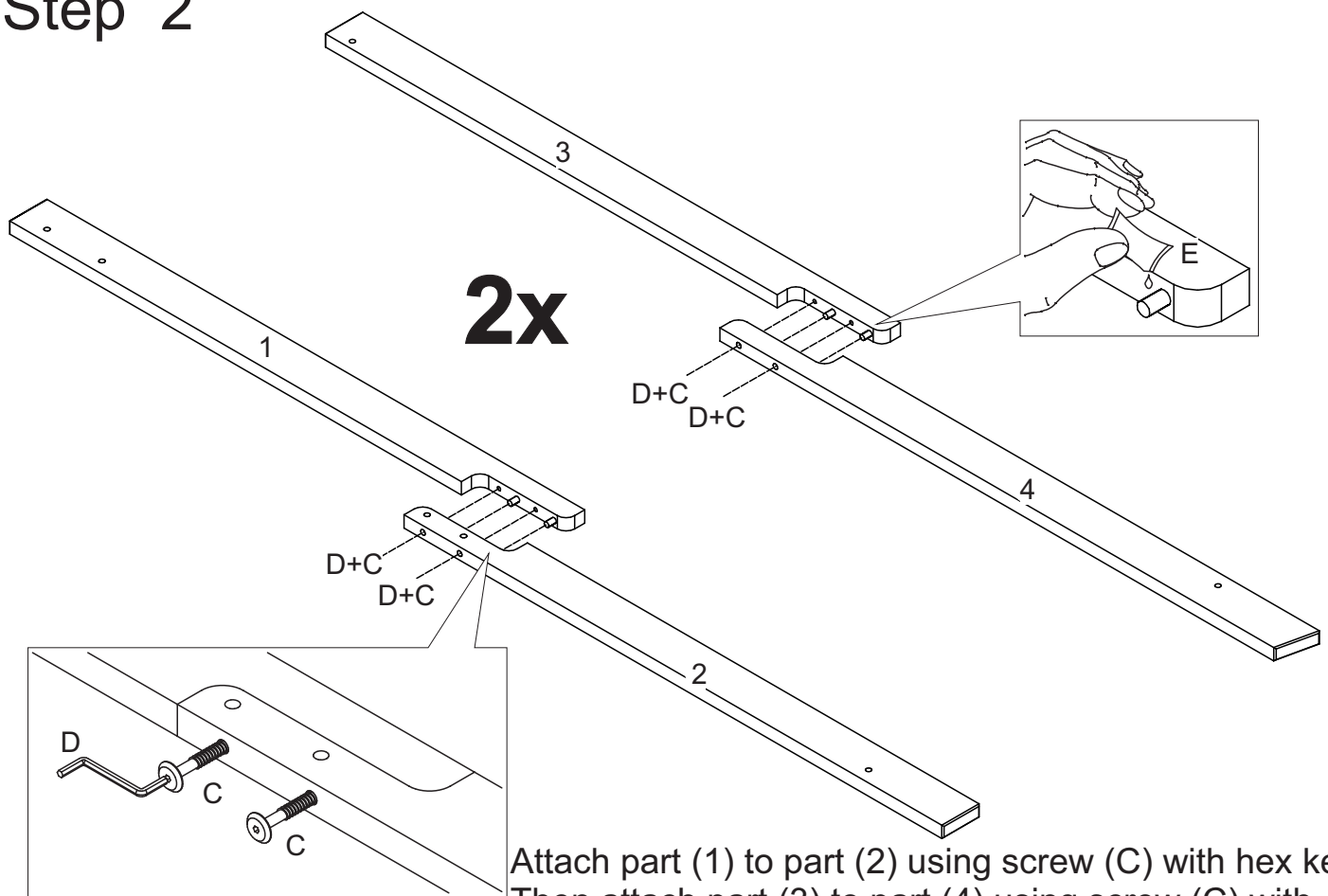
The hardware quantities listed above are required for proper assembly.
Some extra hardware may also have been included.

Step 1



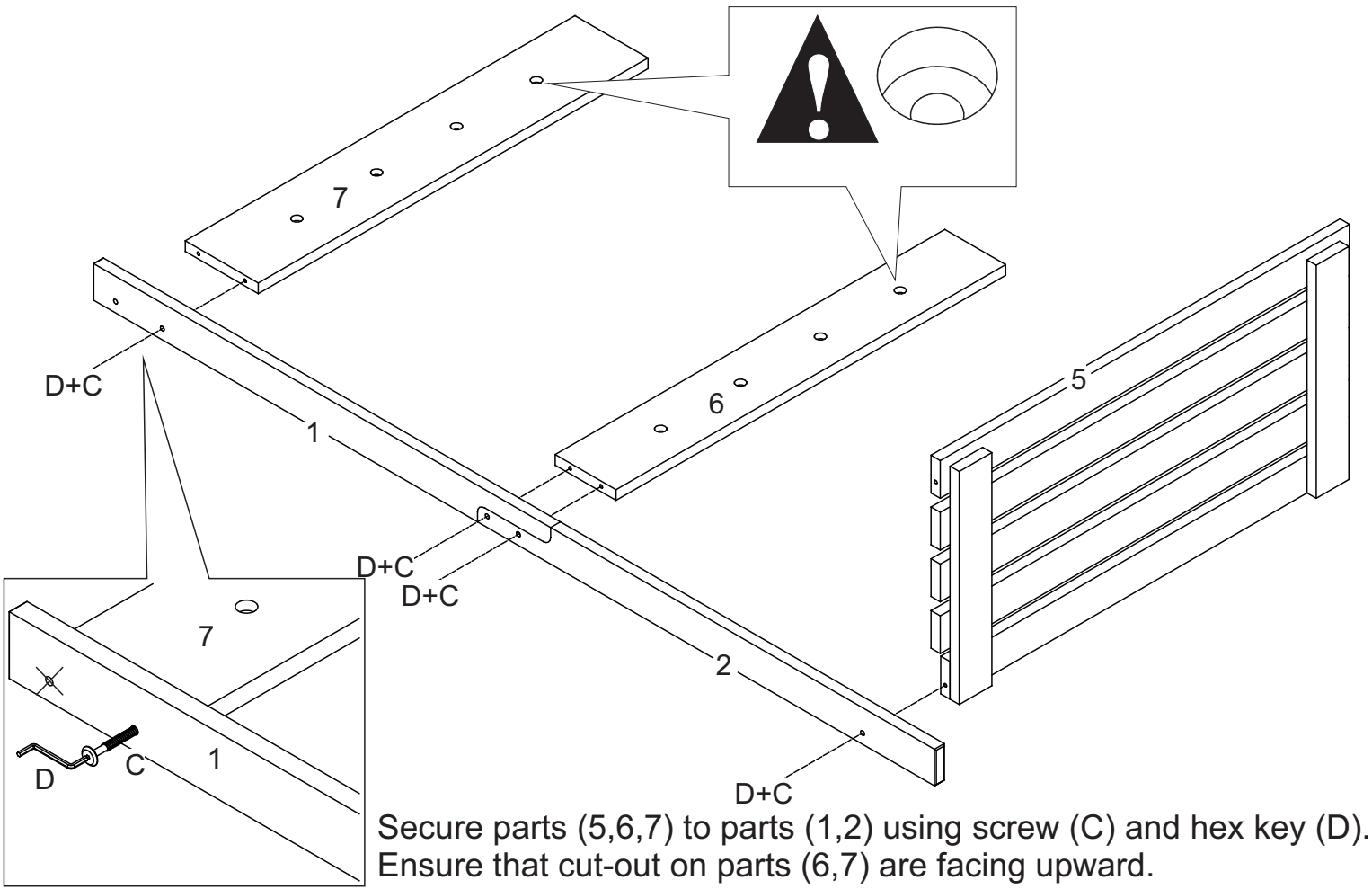
Insert dowel (A) with glue (E) into parts (1,3)

Step 2

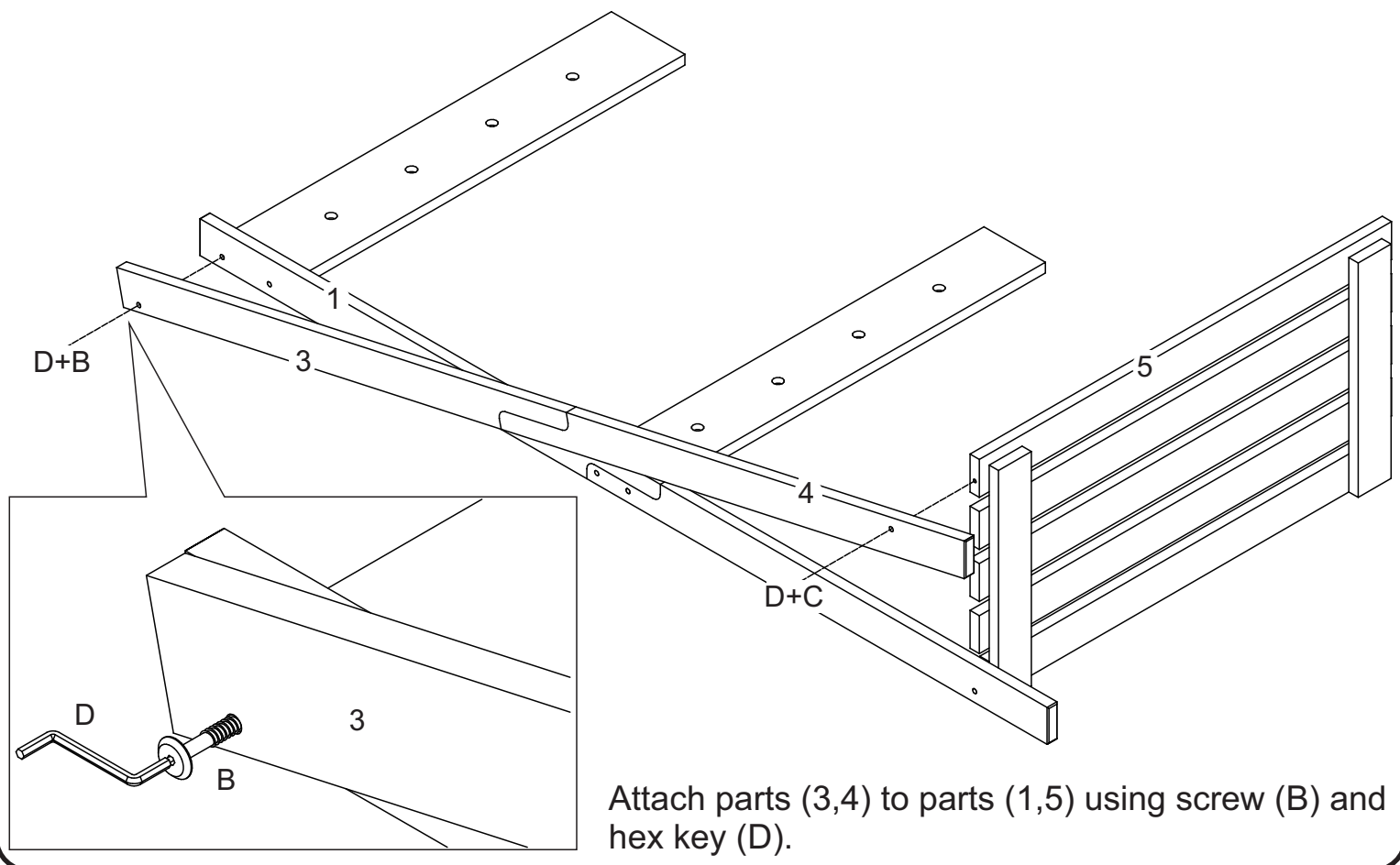


Attach part (1) to part (2) using screw (C) with hex key (D).
Then attach part (3) to part (4) using screw (C) with hex key (D).

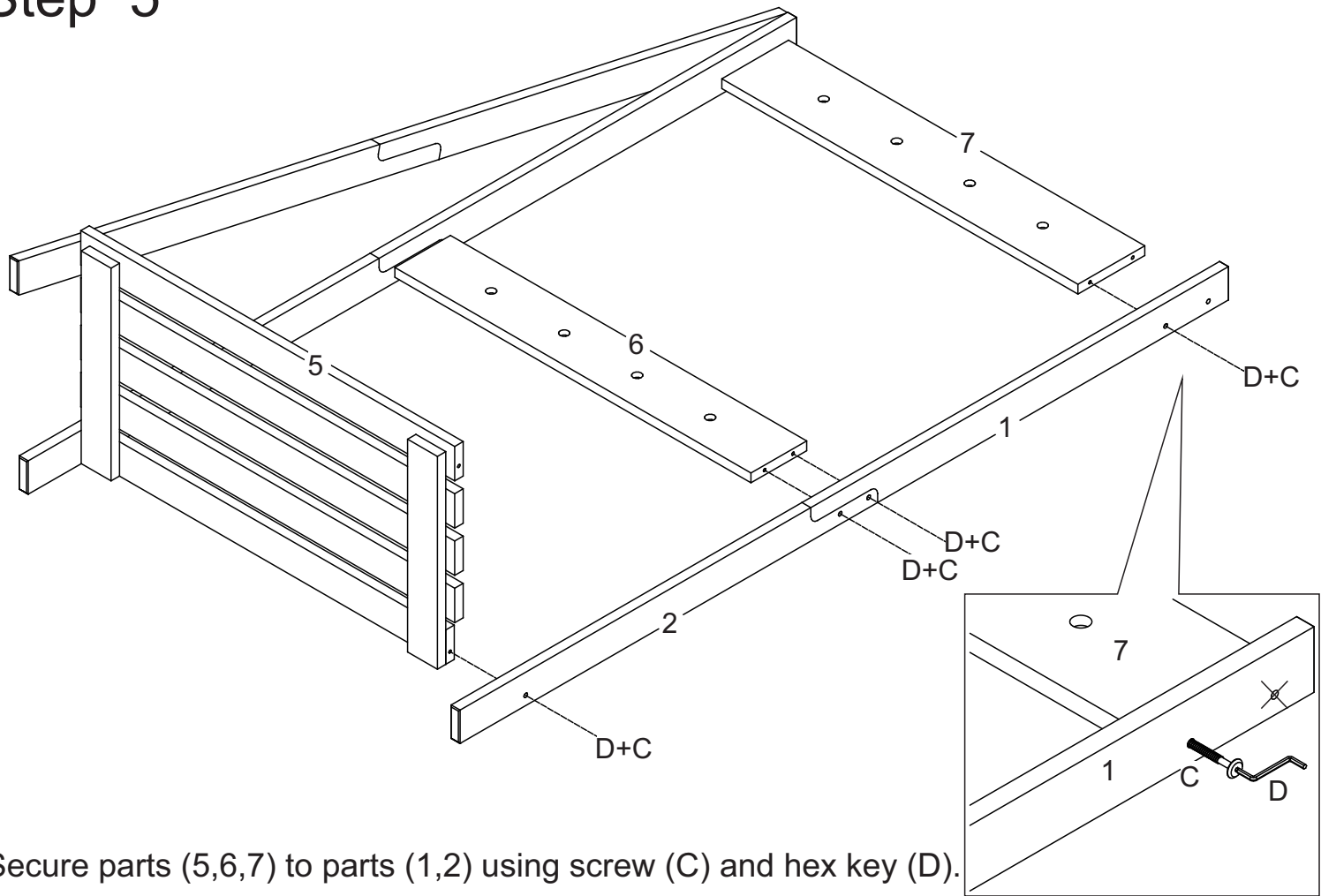
Step 3



Step 4

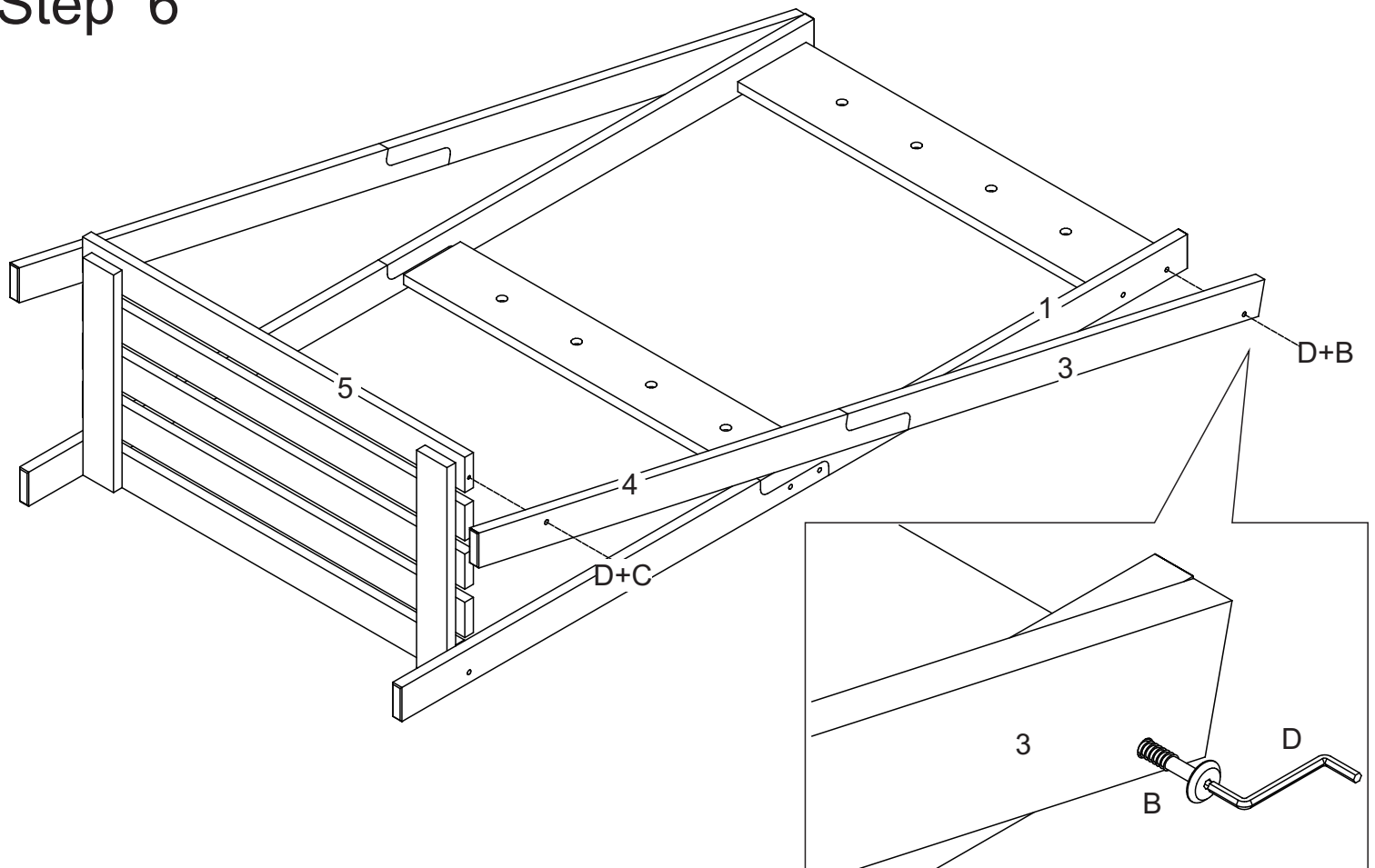


Step 5



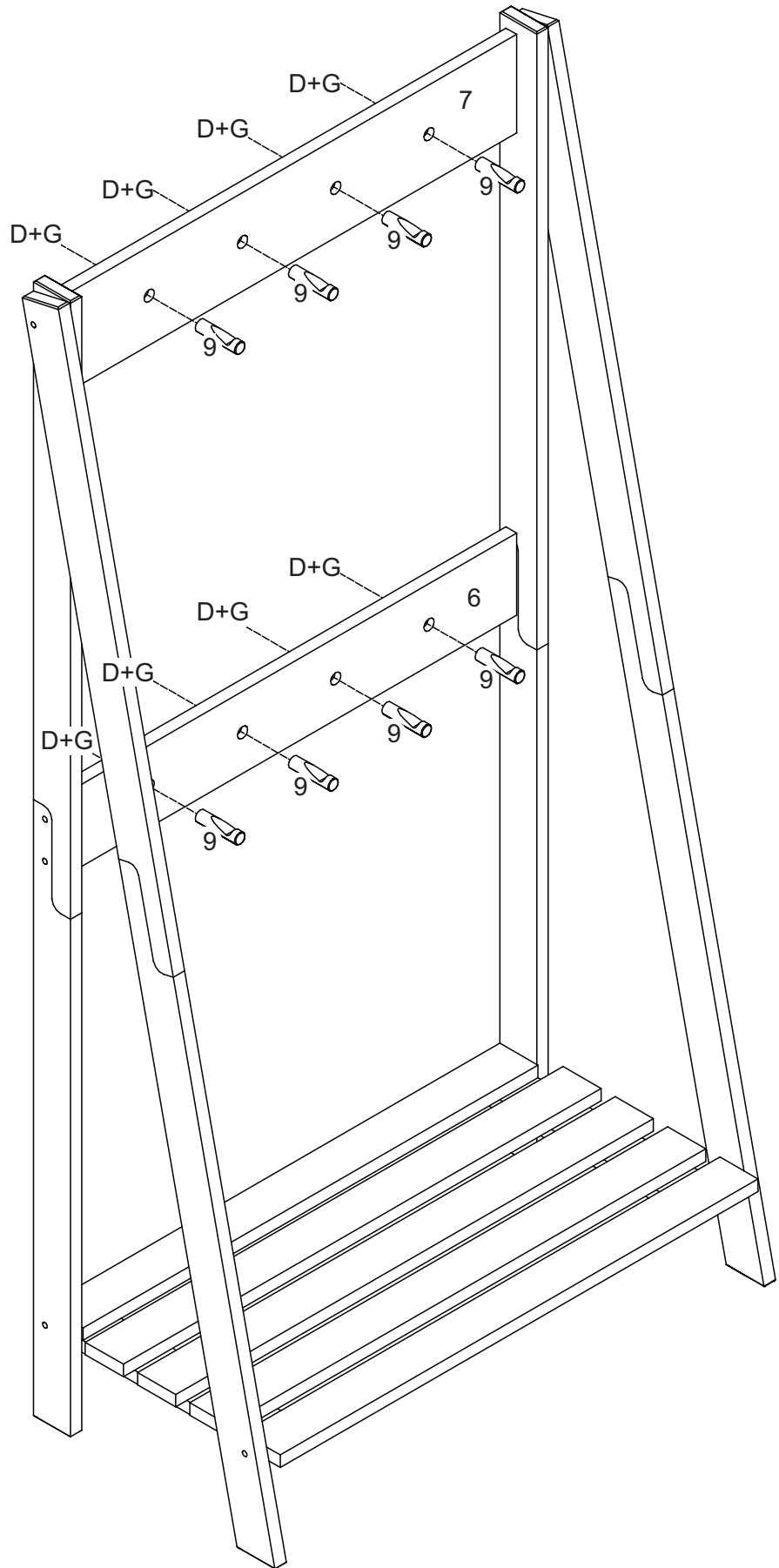
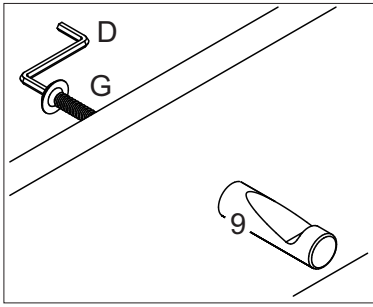
Secure parts (5,6,7) to parts (1,2) using screw (C) and hex key (D).

Step 6



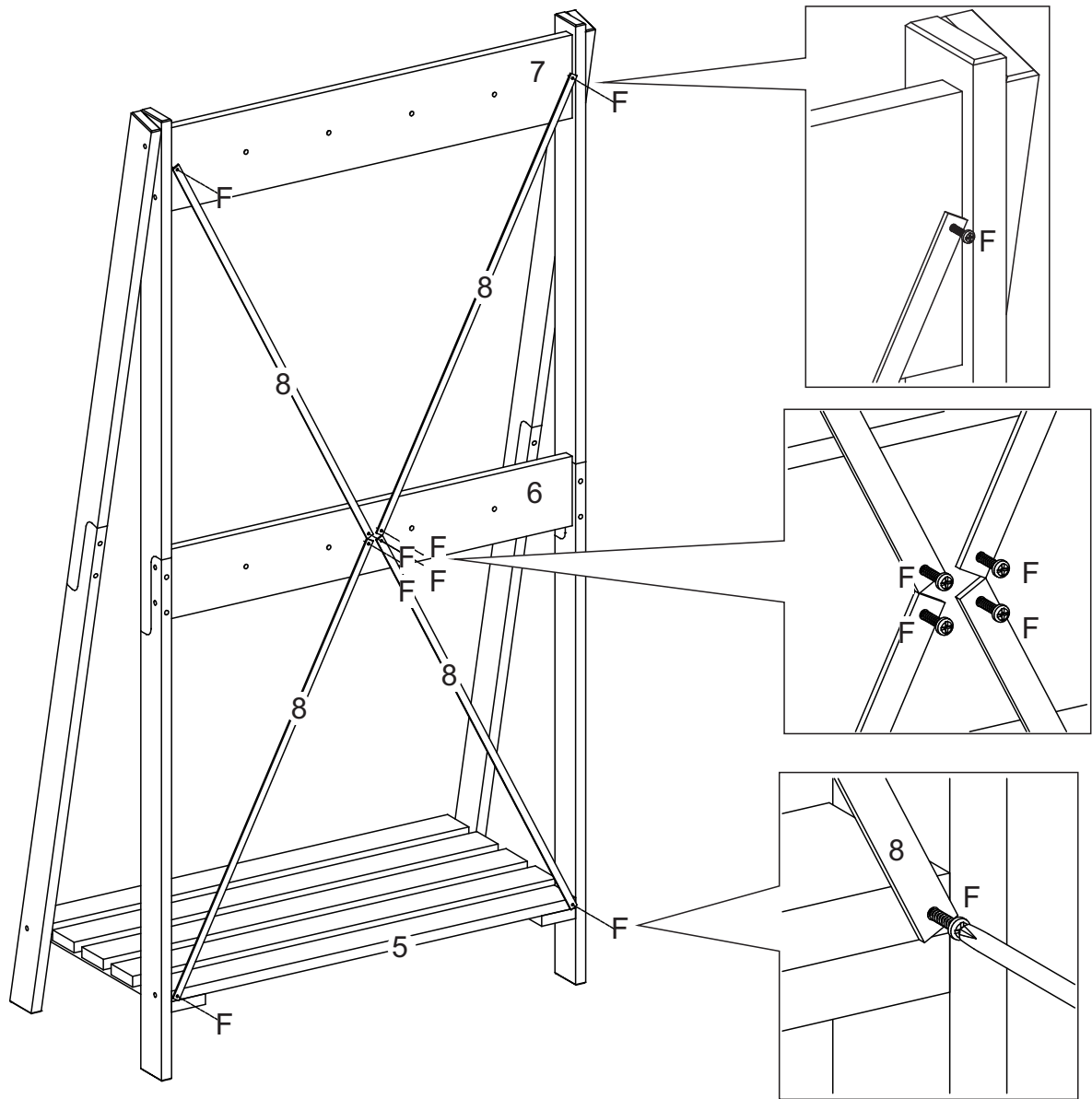
Attach parts (3,4) to parts (1,5) using screw (B) and hex key (D).

Step 7



Secure pegs (9) to parts (6,7) using screw (G) and hex key (D).

Step 8

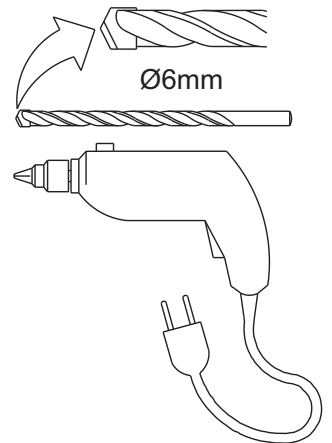
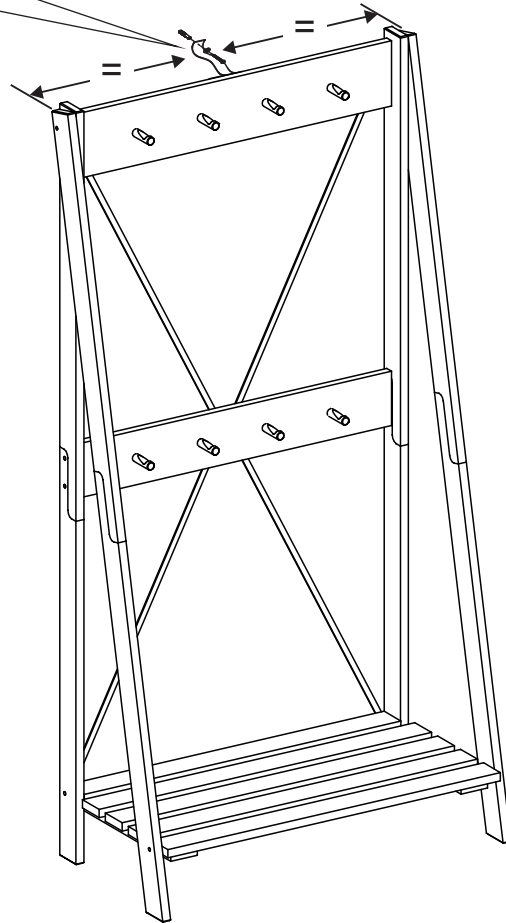
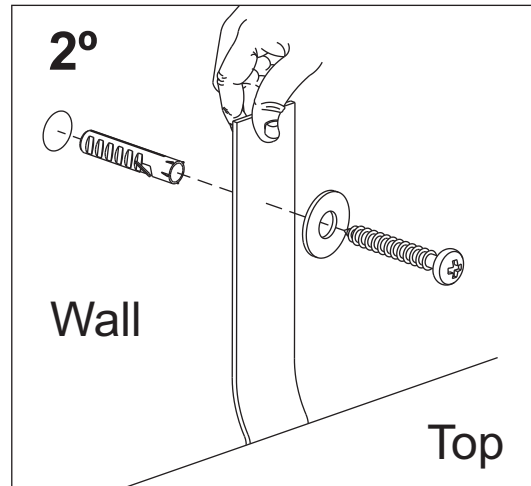
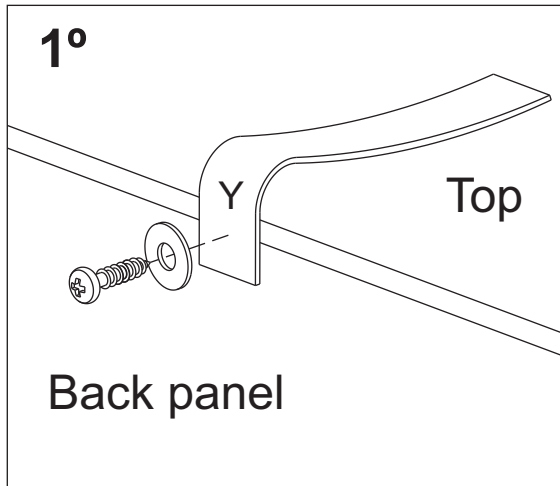


Attach part (8) to parts (5,6,7) using screw (F) and Philips Screwdriver.

WARNING

Serious or fatal injuries can occur from furniture tipping over. To prevent the furniture from tipping over we recommend that it is permanently fixed to the wall.

Wall anchor and hardware are included with this product. Please make sure hardware is suitable for your walls before installing, as different wall materials may require different types of anchors.



WARNING: CHECK FOR HIDDEN PIPES AND CABLES BEFORE DRILLING.

Final Assembly