

Installation & Troubleshooting Manual

CAUTION

**READ INSTRUCTIONS CAREFULLY FOR
SAFE INSTALLATION AND FAN OPERATION**

SAFETY RULES

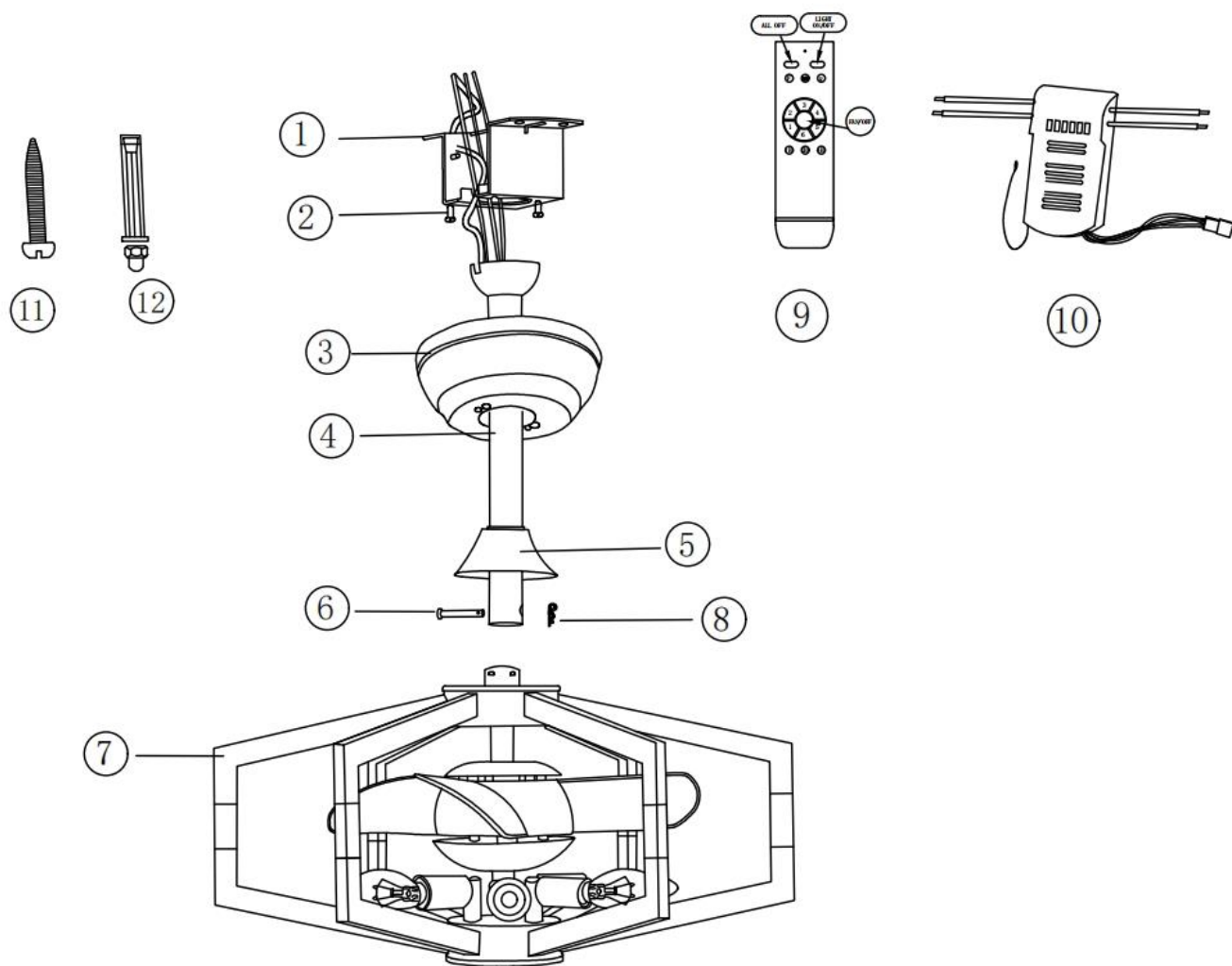
1. To reduce the risk of electric shock, turn off the electricity to the fan at the main fuse box or circuit panel before beginning.
2. All wiring must be in accordance with the local electrical codes or National Electrical Code. Electrical installation should be performed by a qualified licensed electrician.
3. To avoid personal injury, the use of gloves may be necessary while handling fan parts with sharp edges.
4. Make sure the installation site you choose allows clear space for the blades to rotate and at least 7 feet(2.13 meters) of clearance between the floor and the fan blade tips.
5. **WARNING:** To reduce the risk of fire, electric shock, or personal injury, mount fan only to an outlet box marked acceptable for fan support and use mounting screws provided with the outlet box. Most outlet boxes commonly used for the support of lighting fixtures are not acceptable for fan support and may need to be replaced. Consult a qualified electrician if in doubt.
6. The outlet box and ceiling support structure must be securely mounted and capable of supporting at least 45 KGS.
7. To avoid personal injury or damage to the fan and other items, be cautious when working around or cleaning the fan.
8. Do not use water or detergents when cleaning the fan or fan blades. A dry dust cloth or lightly dampened cloth will be suitable for most cleaning.
9. After making electrical connections, spliced conductors should be turned upward and pushed carefully up into the outlet box. The wires should be spread apart with the grounded conductor and the equipment-grounding conductor on one side of the outlet box.
10. Electrical diagrams are for reference only.
11. The fan is more suitable for indoor use.

TOOLS REQUIRED



BEFORE INSTALLATION

Unpack your fan and check the contents. You should have the followings:



1. Mounting Bracket X 1
2. Average Screws
3. Canopy X 1
4. Downrod & Hanger Ball X 1
5. Horn Cover X 1
6. Horizontal pin
7. Wooden Frame X 1
8. R pin X 1
9. Remote Controller X 1
10. Controller Box X 1
11. Wood Screws
12. Expansion Screws

INSTALL THE FAN

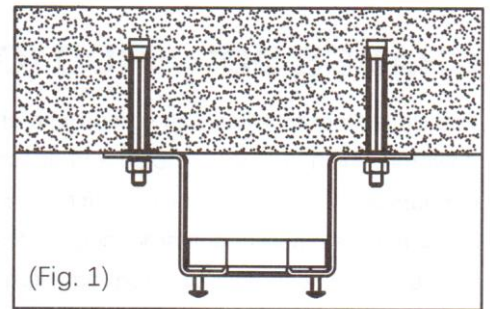
Tools Required: Phillips Screwdriver, Pair of Pliers, Straight slot screwdriver, Adjustable Wrench, Step Ladder and Wire Cutters.

INSTALL THE MOUNTING BRACKET

To prevent personal injury and damage, ensure that the hanging location allows the blade a clearance of 7 feet (2.13 meters) from the floor.

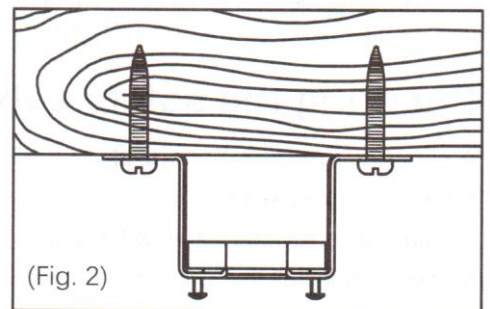
If there isn't an existing CUL listed mounting box, then read the following instructions:

1. For the concrete ceiling: Mark the location for the ceiling fan first, then drill two holes in the ceiling to aid in securing the ceiling bracket with two expansion screws provided, and secure the mounting bracket to the building structure with two expansion screws provided, tighten the screws. (Fig.1)



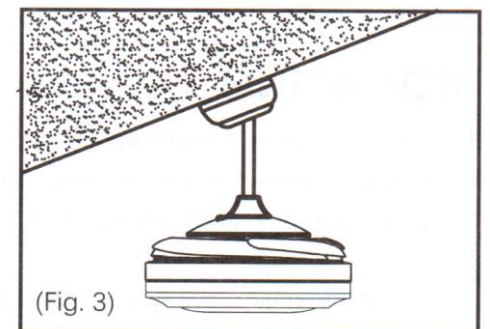
(Fig.1)

2. For the Wood Ceiling: Mark the location for the ceiling fan first, secure the mounting bracket to the building structure with four wood screws provided. (Fig.2)



(Fig.2)

3. Refer to Fig. 3 for mounting when the ceiling is angled max. 15 degree angle. (Fig.3)



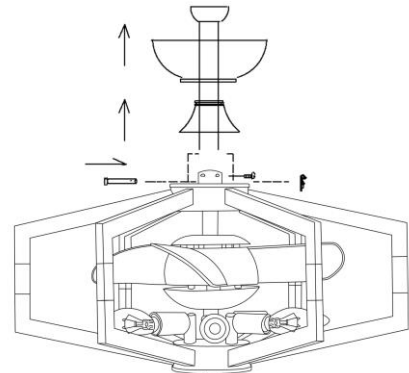
(Fig.3)

NOTE: Hanger after the installation must be able to withstand the weight of 45 KGS or more

INSTALL THE DOWNROD

REMEMBER to turn off the power. Follow the steps below to hang Remote Controller X 1 your fan properly:

1. Remove the lock pin and hitch pin from downrod.
2. Place downrod assembly into canopy and coupling cover, carefully feed motor wires through the downrod assembly.
3. Loosen the two set screws in downrod coupling.
4. Insert downrod into downrod coupling. Install coupling lock Pin through coupling and downrod. Insert hitch pin into the lock Pin until it snaps into place. Tighten set screws in coupling. Slide coupling cover over the downrod coupling.

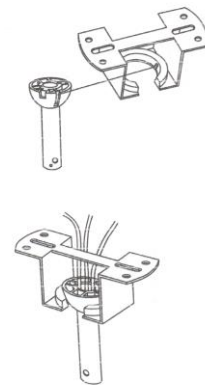


CHANGE DOWNROD (OPT)

The Ceiling Fan comes with one 4 inches standard downrod which is preassembled and attached to the hanger ball, one longer 8 inches downrod is also included for higher ceilings.

If you need a different downrod length, please follow these steps:

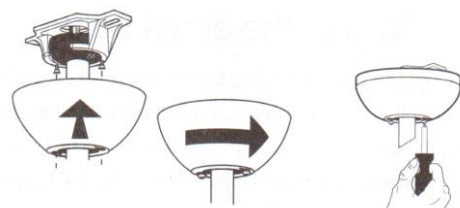
1. Loosen the hanger ball from downrod by removing the set screw.
2. Slide downrod ball off of downrod and remove the pin.
3. Re-install pin into extended downrod, and slide downrod ball up to the top of the downrod.
4. Re-install set screw to secure ball to downrod.



SECURE THE CANOPY

Raise the canopy up and align the keyholes on the bottom of the canopy with the 2 screws on the bottom of the mounting bracket. Rotate the canopy until both screws from the mounting bracket drop into the slot recesses.

Tighten screws securely.



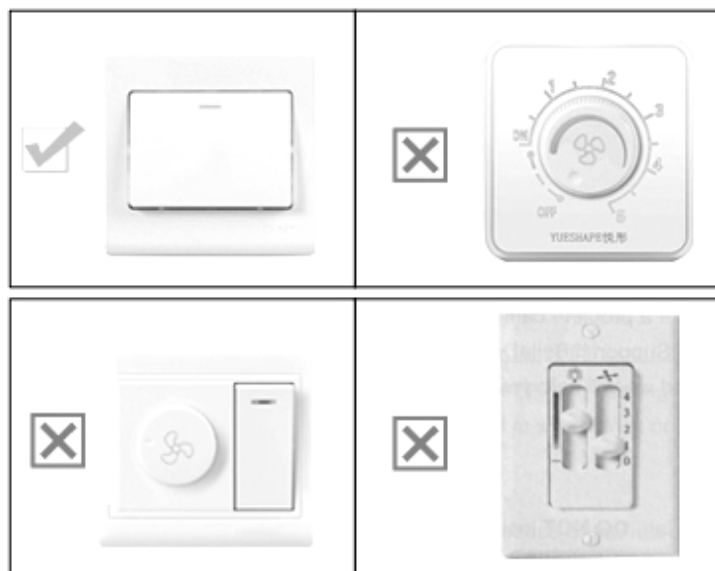
INSTALL WALL SWITCHES (OPTIONAL)

BEFORE:

1. This is a replaceable light bulb ceiling fan, it can't be gradually dimmed, **DO NOT** use any Dimmer Switch for this.
2. Install & Control the ceiling fan via remote **OR** wall switch, please **DO NOT** install both of them since the wiring is complex depends on the different switch you use, and it may interfere with the remote/receiver signal and the fan/light fixture will not work properly.

Wall Switch

In order to ensure the normal work of LED LIGHT recommend to use ordinary wall switch.



(NOTE: POWER OFF from wall switch Default memory function cleared.)

TROUBLESHOOTING GUIDE

If you have difficulty operating your new ceiling fan, it may be the result of incorrect assembly, installation, or wiring. In some cases, these installation errors may be mistaken for defects. If you experience any faults, please check this Trouble Shooting guide. If a problem cannot be remedied, please consult with your authorized electrician and please feel free to contact us.

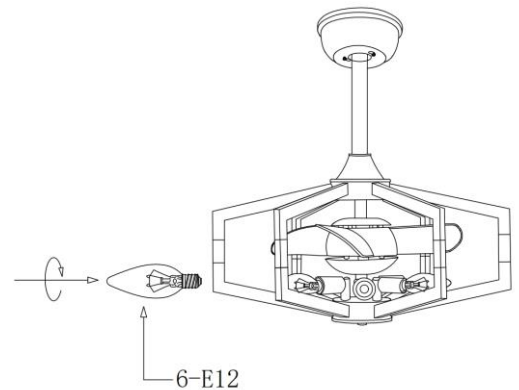
Before:

1. This is a replaceable light bulb ceiling fan, **DO NOT** install any dimmer switch for this.
2. Install the Remote OR Wall Switch, **DO NOT** install both of them.
3. Check circuit fuses or breakers and make sure the battery is installed correctly.
4. Check line wire connections to the fan and switch wire connections in the switch housing.

CAUTION: Make sure the main power is off.

Problem: Light does not work

1. Check to see that the wire connections in the switch housing are connected.
2. Make wiring connections from the house to the LED light directly (don't connect the remote and the fan) to determine it's the issue of the LED light or not.



Problem: Fan will not start.

1. Check line wire connections to the fan and switch wire connections in the switch housing. **CAUTION: Make sure the main power is off.**
2. Make the Fan wiring connections Without the Remote & transmitter and the light, to determine it's the issue of the fan body or not.
 - a) Please don't wire the light at the bottom
 - b) Connect the Ceiling Fan Neutral Wire (White) to the Neutral Wire (White) coming through the ceiling
Connect the Ceiling Fan Live Wire (Black) to the Live wire (Black or Colored) coming through the ceiling
Then turn on the main power, check the fan works separately or not.

