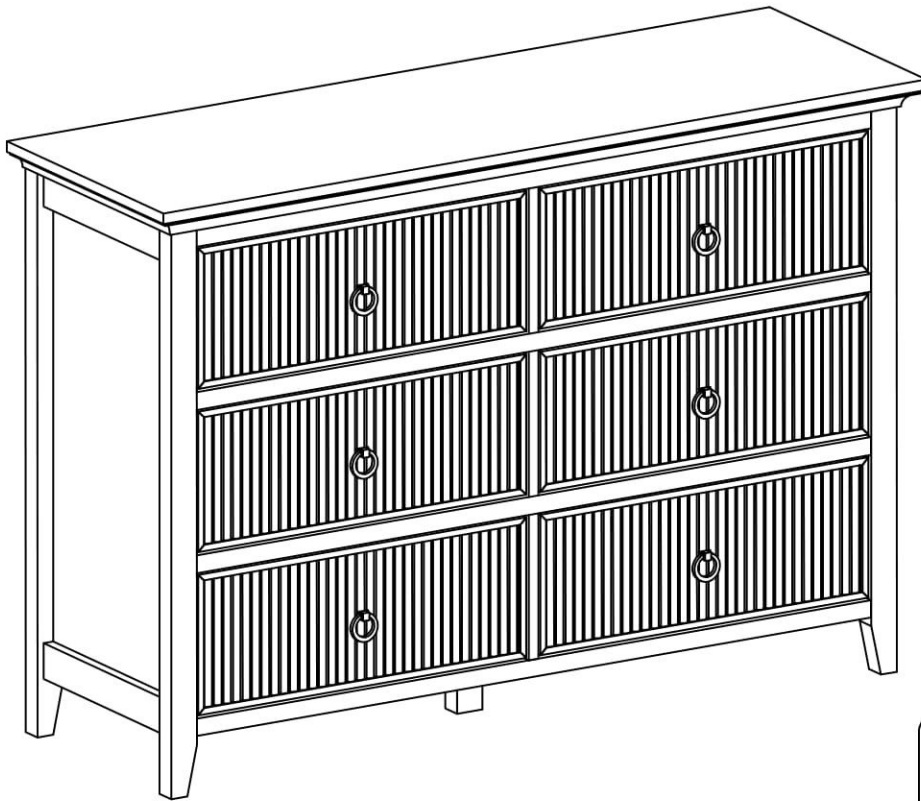


6 Drawer Dresser Installation Manual



Trouble shooting:

Missing / Wrong / Broken parts and installation issues



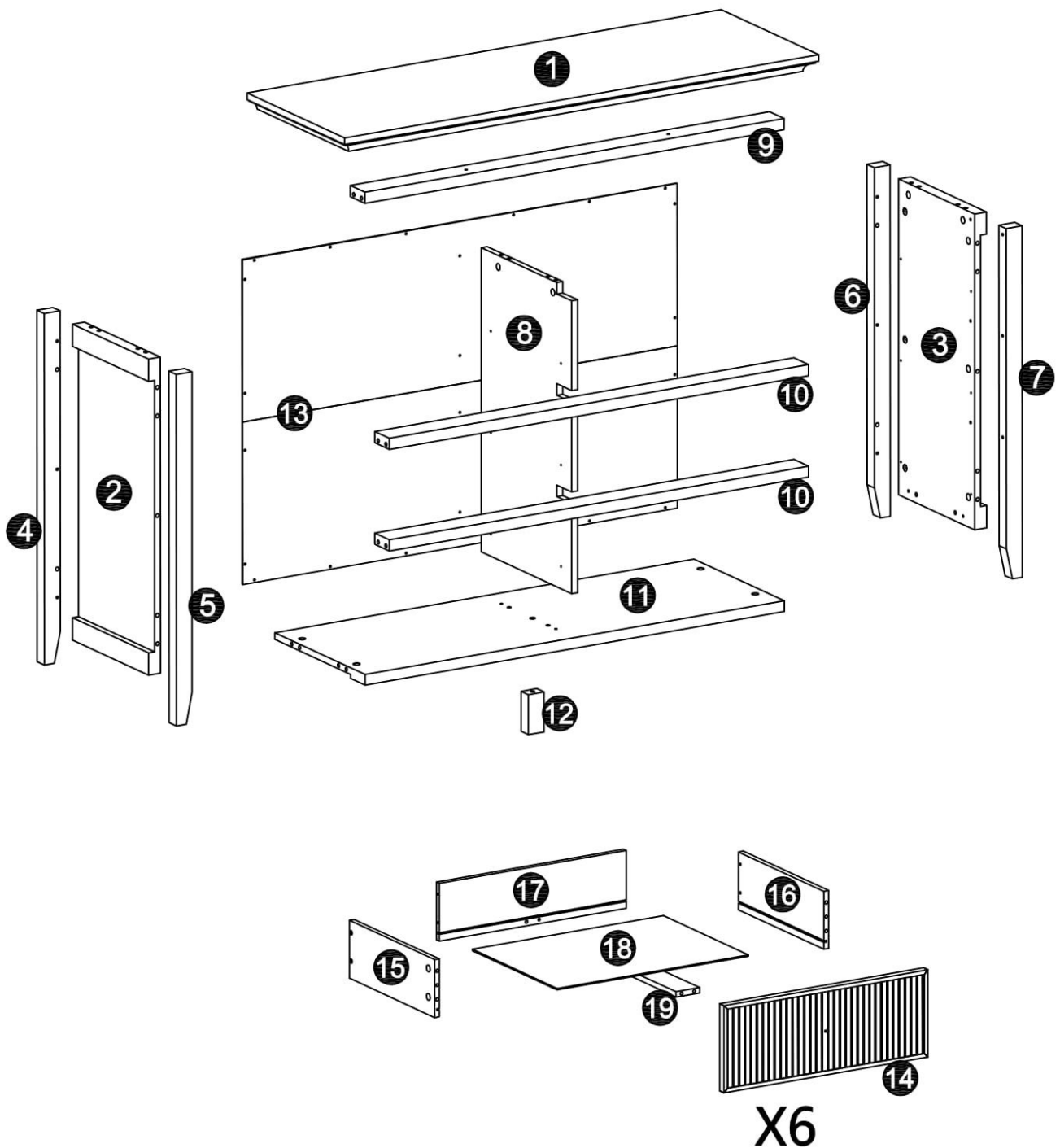
Send email with your question, pic and order NO.



Respond within 24 hours

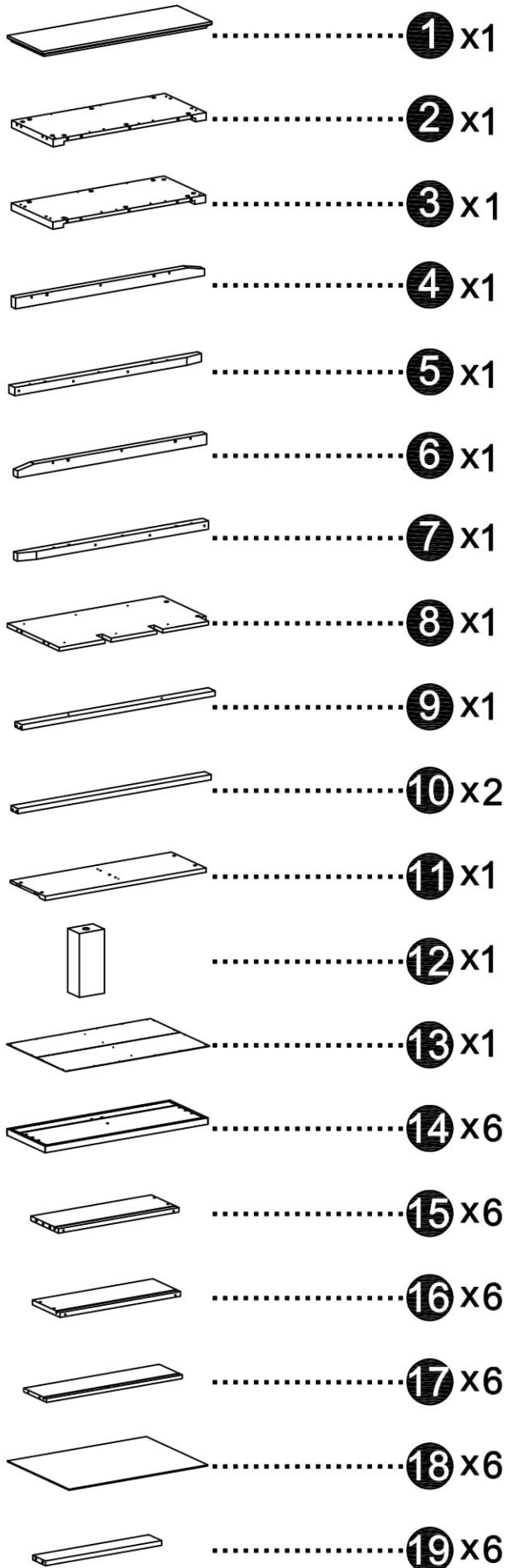


Issue resolved

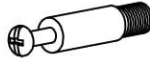

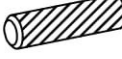
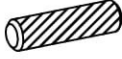



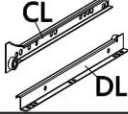
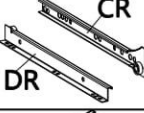








Note: Don't tighten all screws during installation.

Components

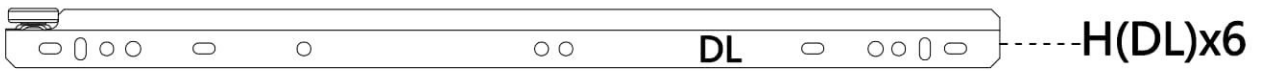


Screws & Tools

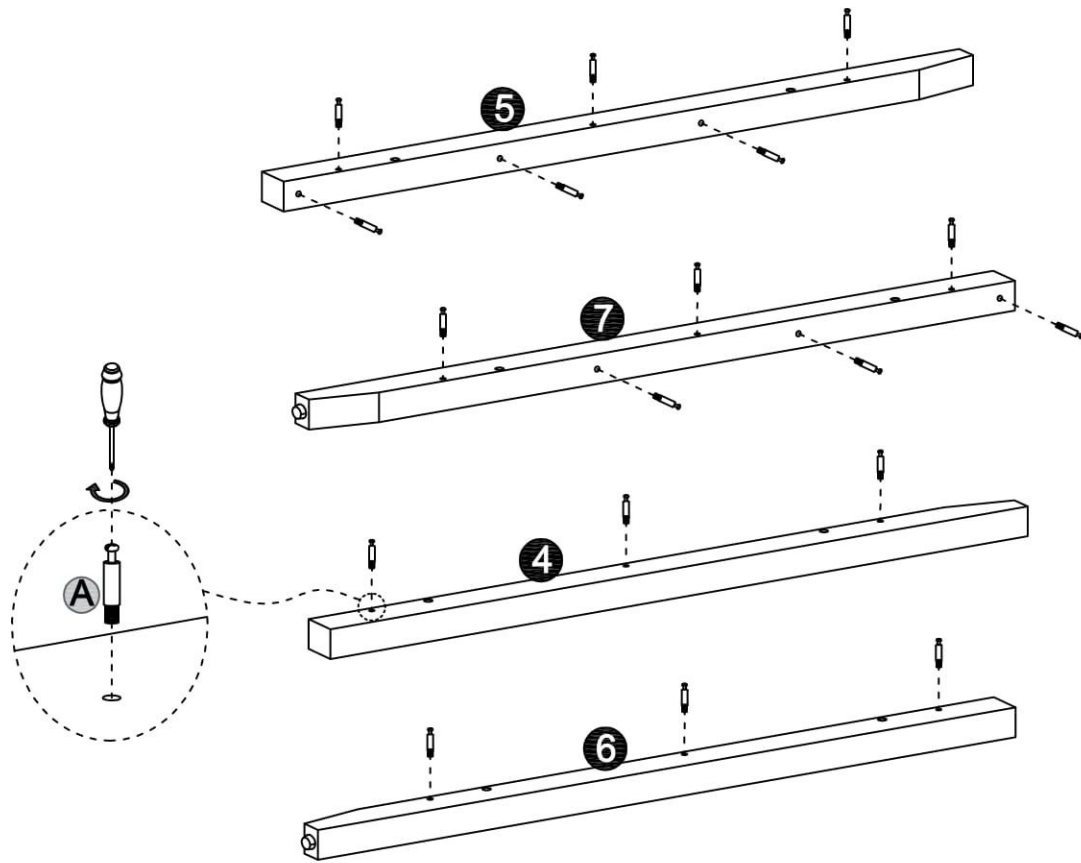
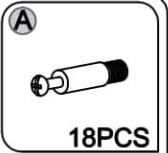
A		x70+1
B	 Ø15 x9mm	x70+1
C	 Ø8 x30mm	x20+1
D	 Ø6 x30mm	x24+1
E	 Ø3.5 x35mm	x26
F	 Ø3.5 x12mm	x72+1
G	 Ø3 x14mm	x24+1
H	 14" CL DL	x6
	 14" CR DR	x6
I		x6
J	 M4 x20mm	x6
K	 Ø4 x50mm	x2
L	 M6 x30mm	x1
M		x1
N		x2

Check all the components & screws before assembly.
 Do not install in case part is missing, contact us to get.
 We will resend within 24 hours

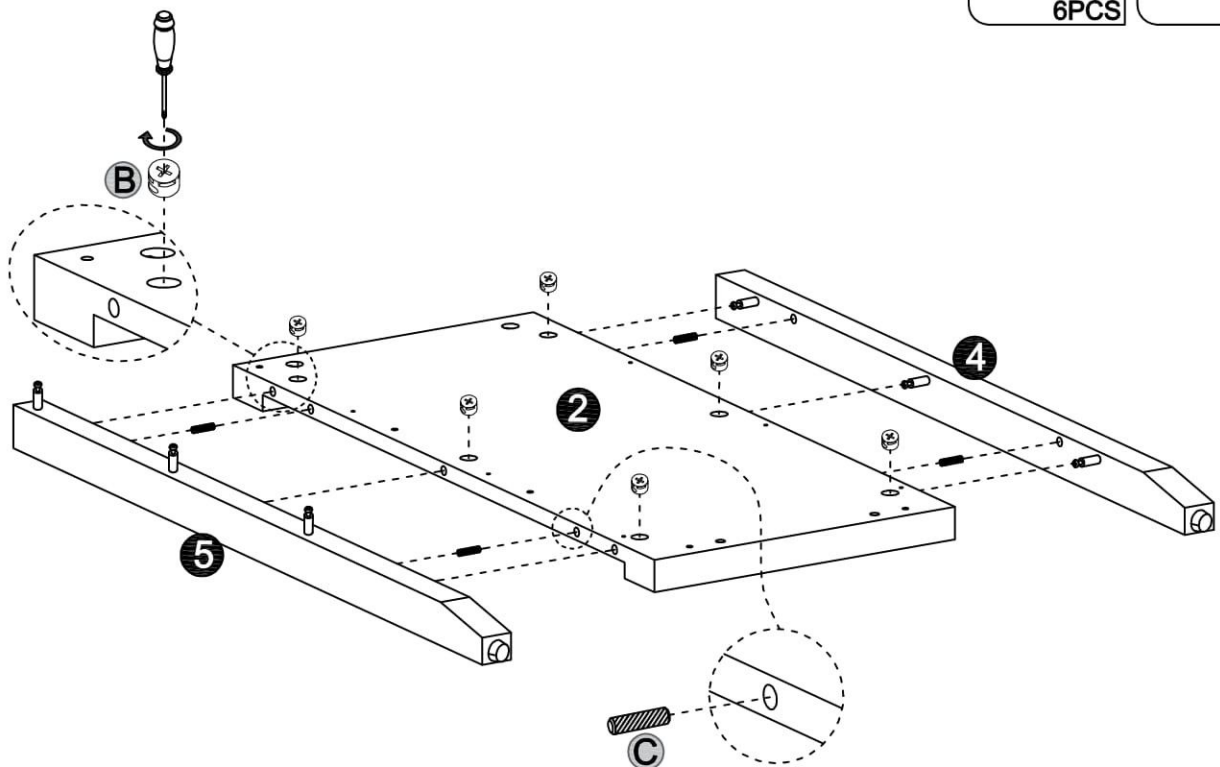
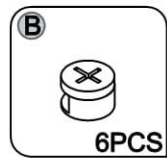
HARDWARE LIST



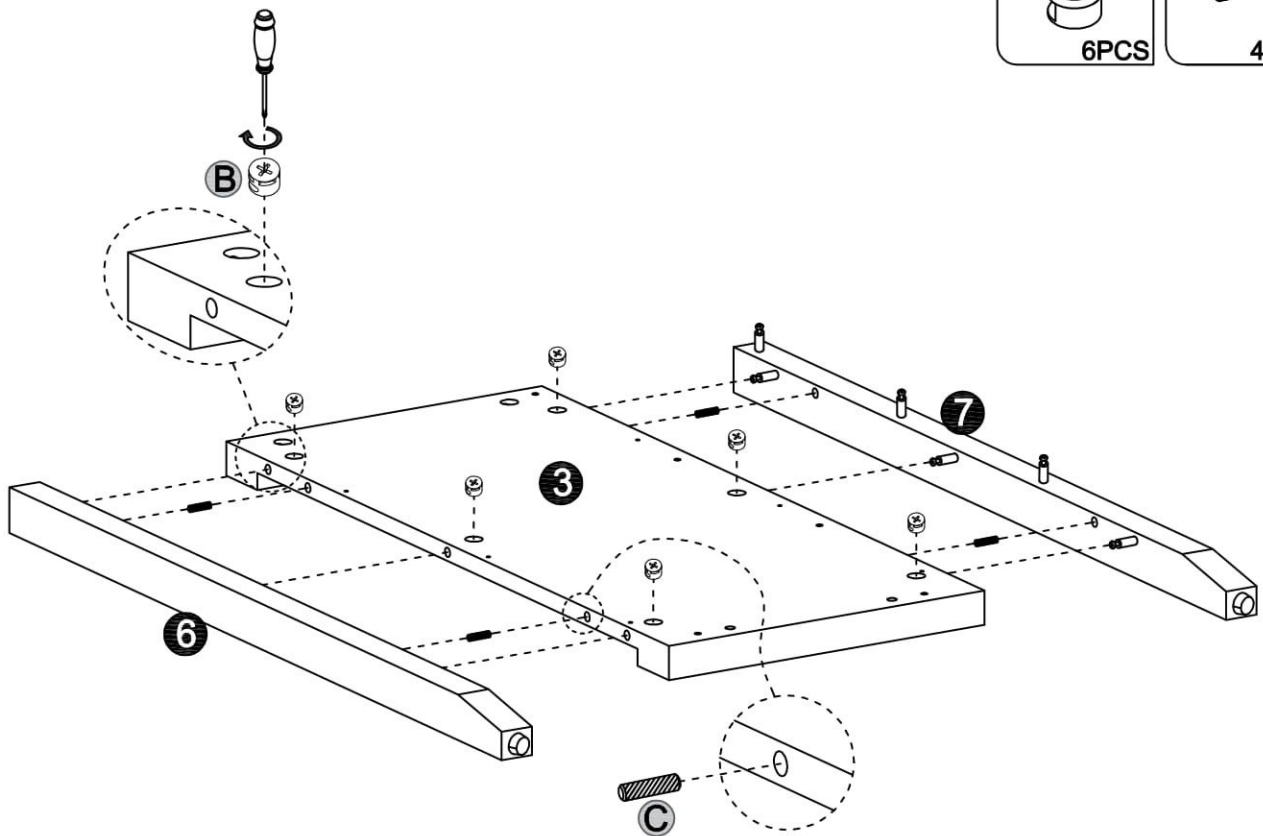
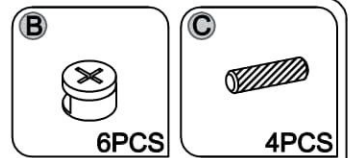
Step 1



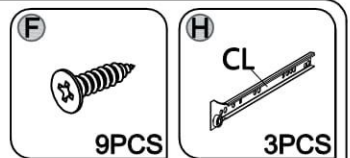
Step 2



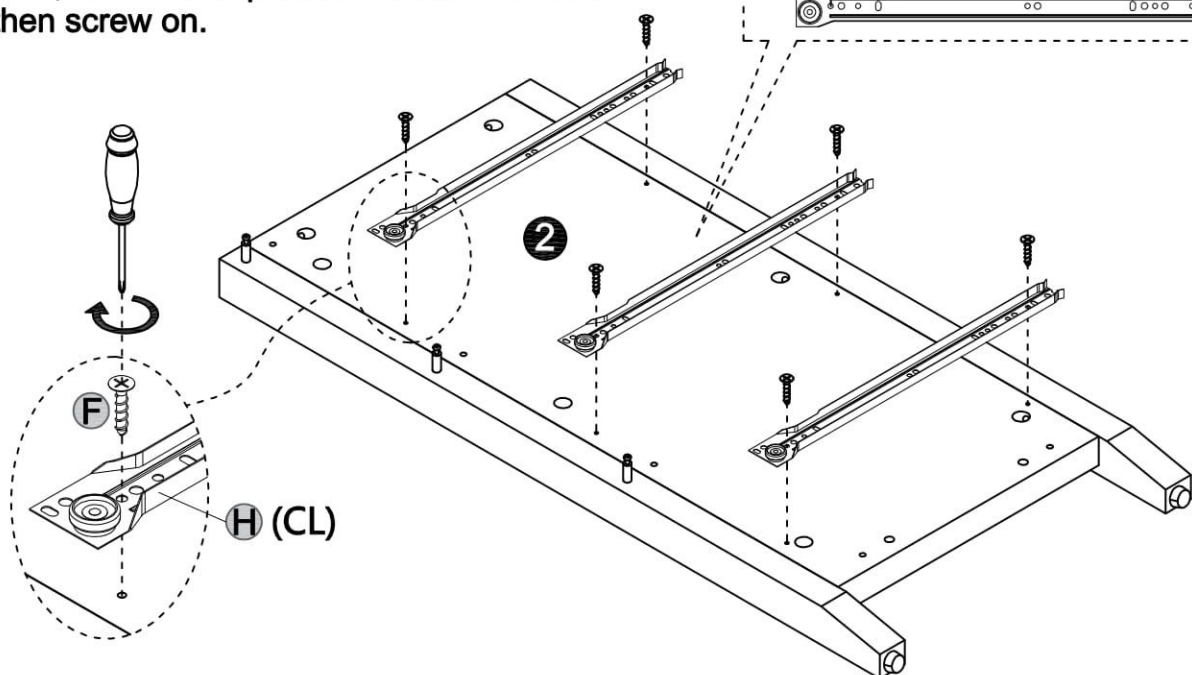
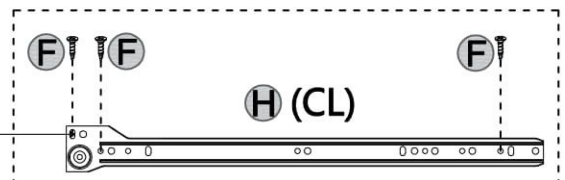
Step 3



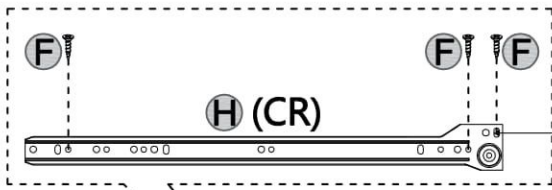
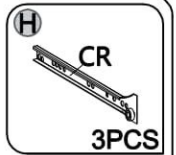
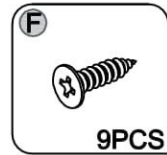
Step 4



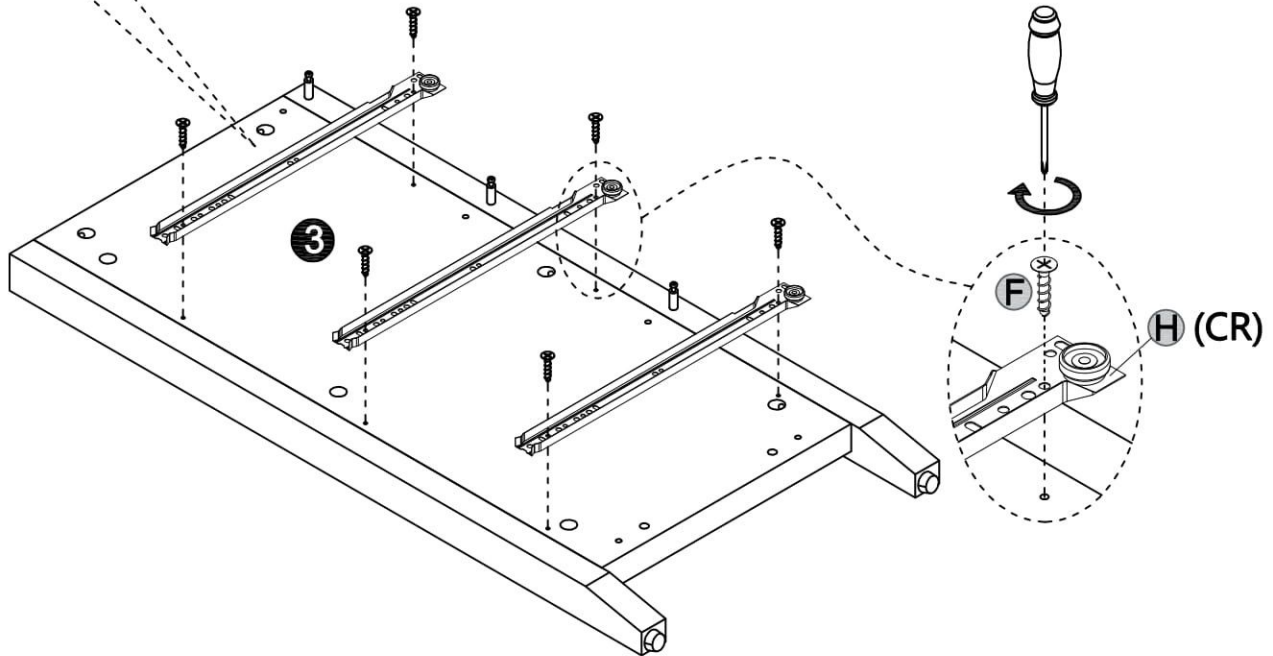
The first hole in the UPPER row holes of the slide is without the corresponding pre-drilled hole, after fix the position of the slide and then screw on.



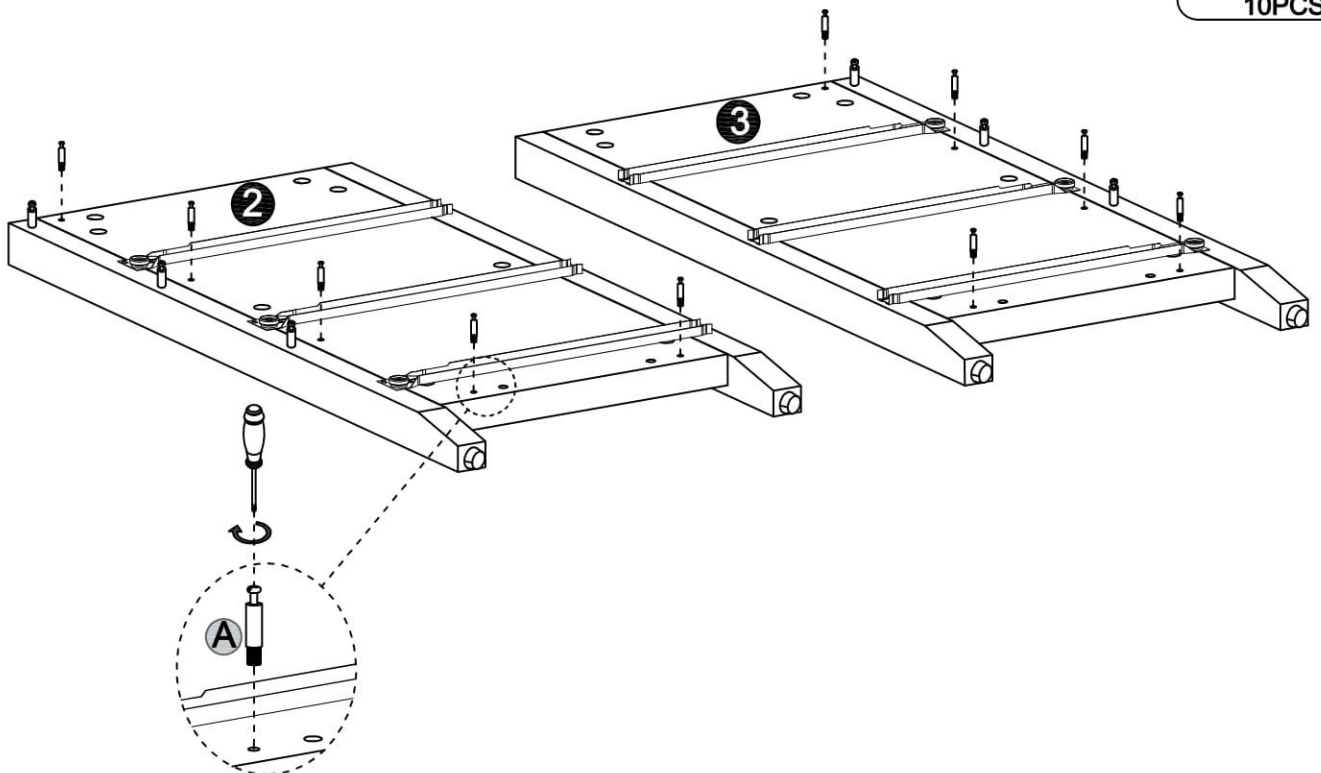
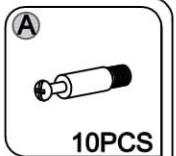
Step 5



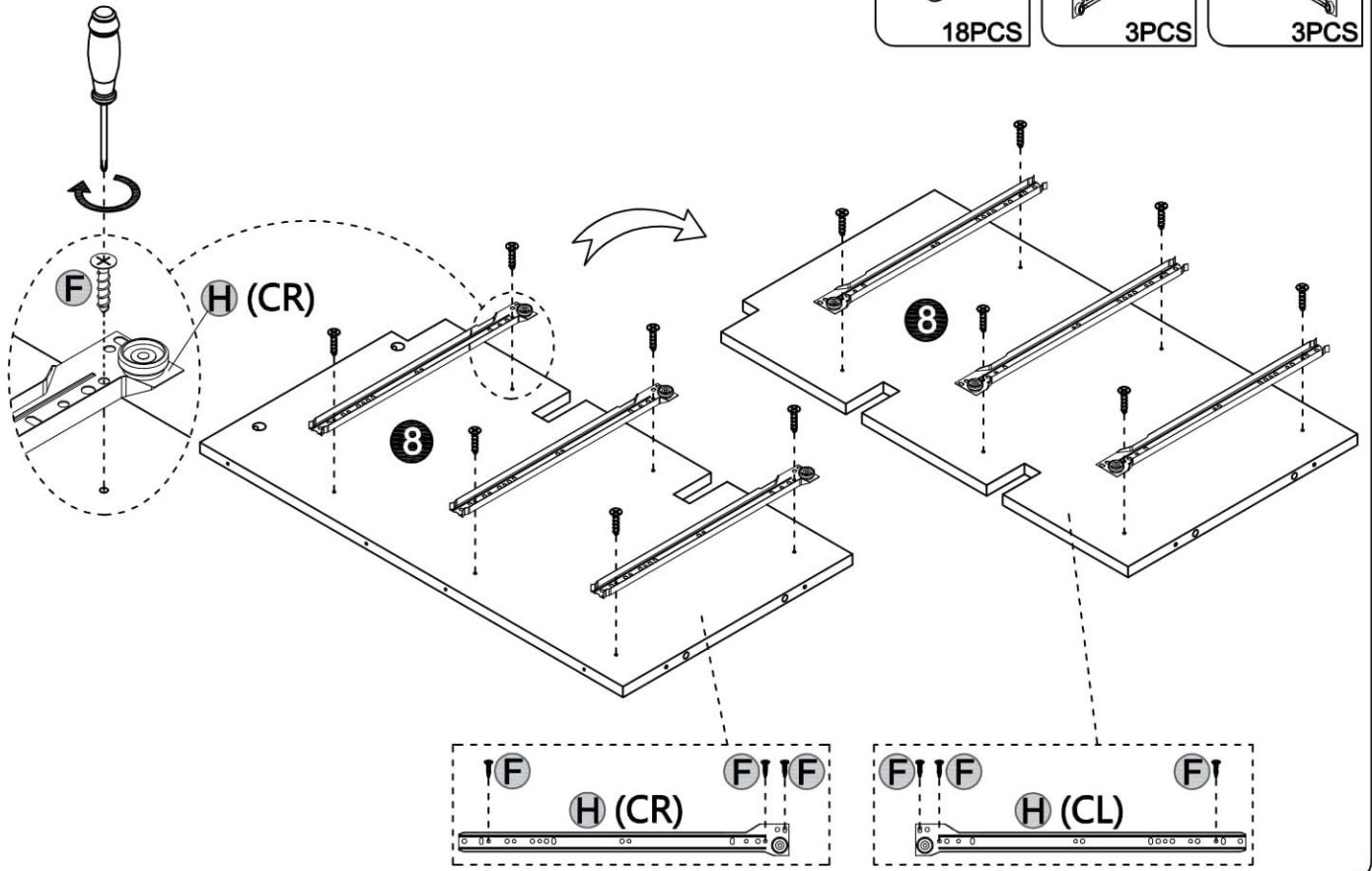
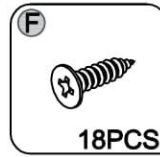
The first hole in the UPPER row holes of the slide is without the corresponding pre-drilled hole, after fix the position of the slide and then screw on.



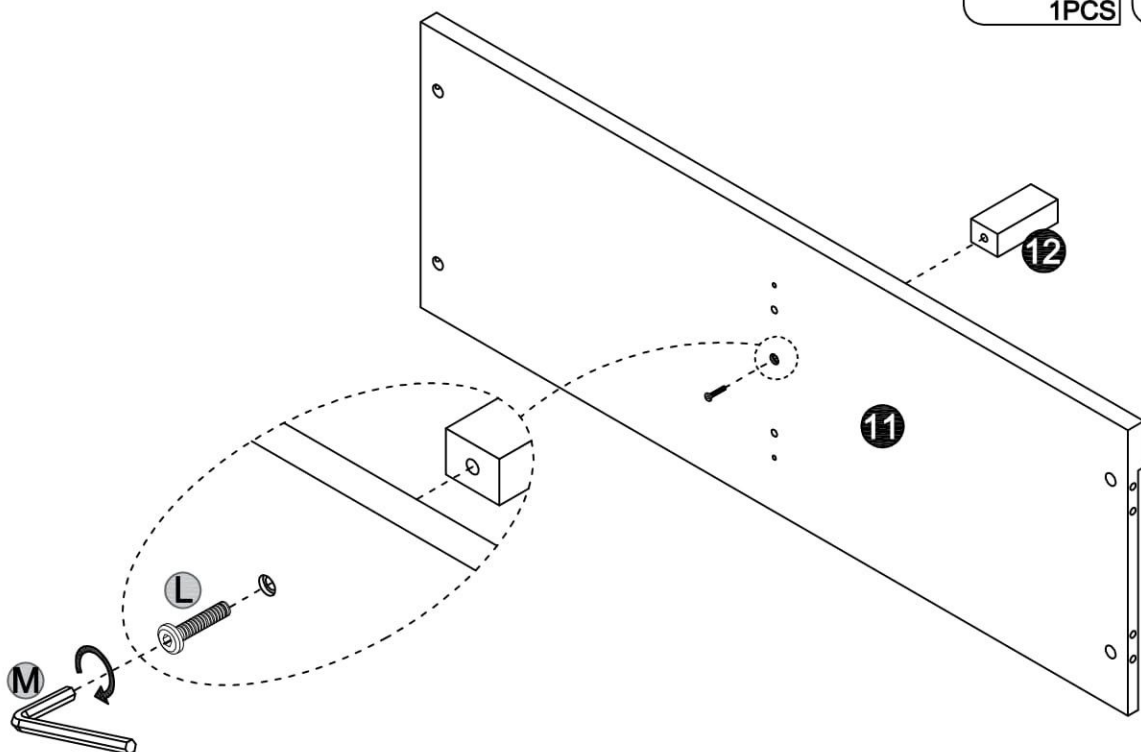
Step 6



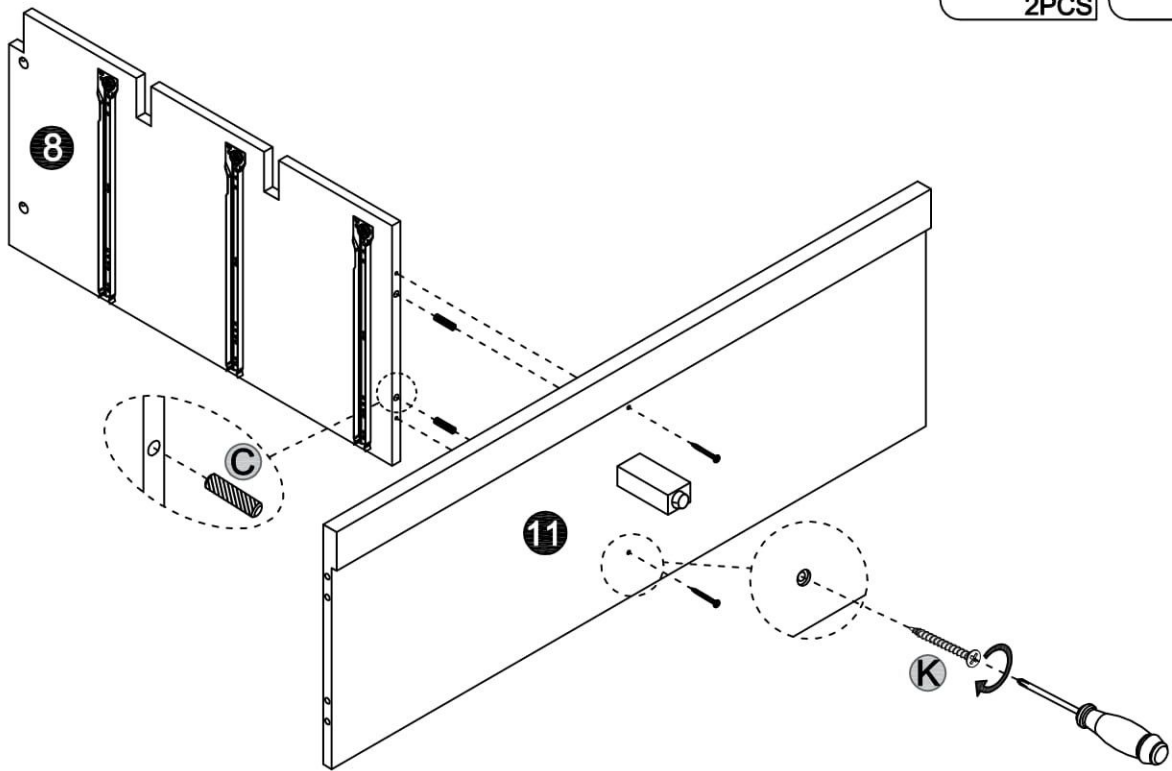
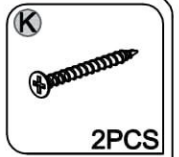
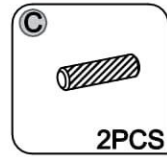
Step 7



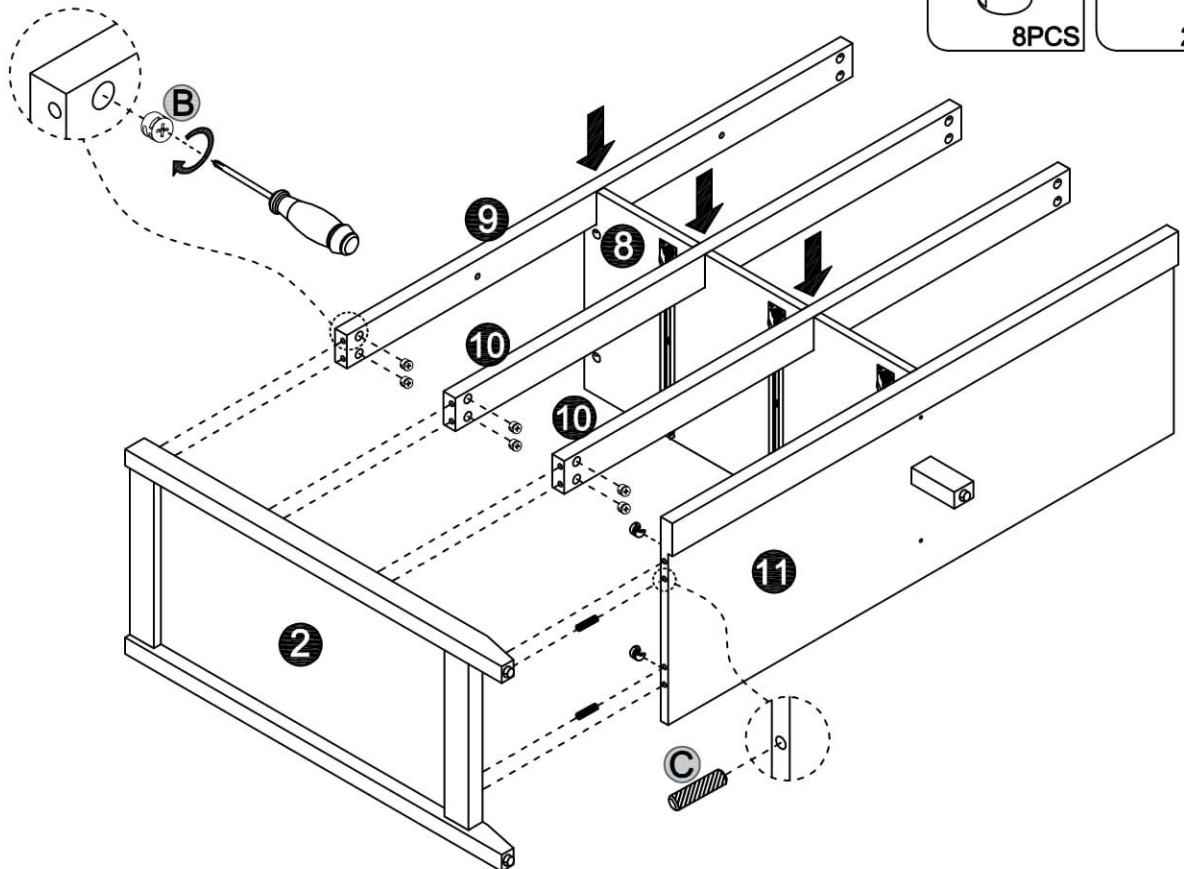
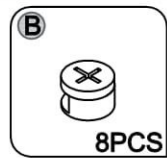
Step 8





Step 9

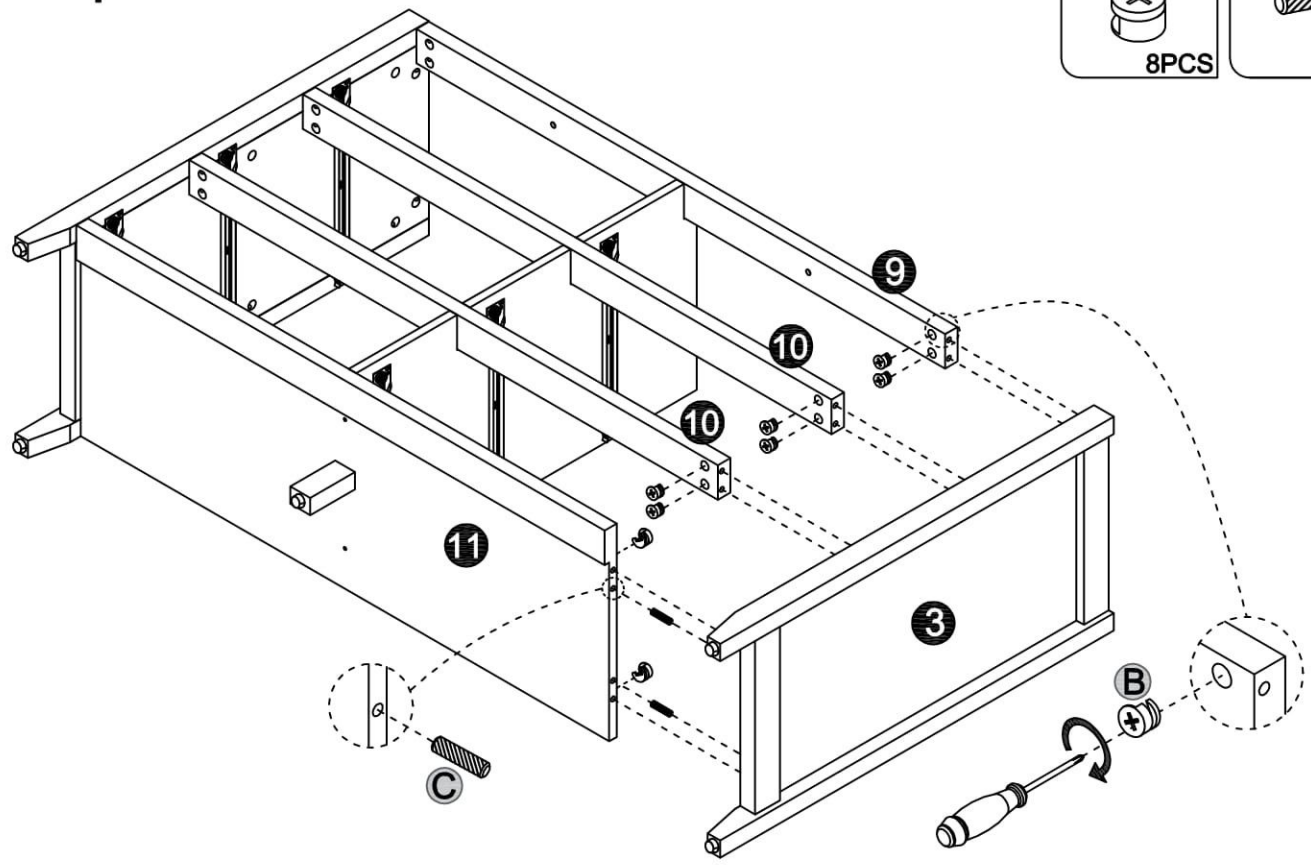


Step 10

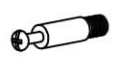


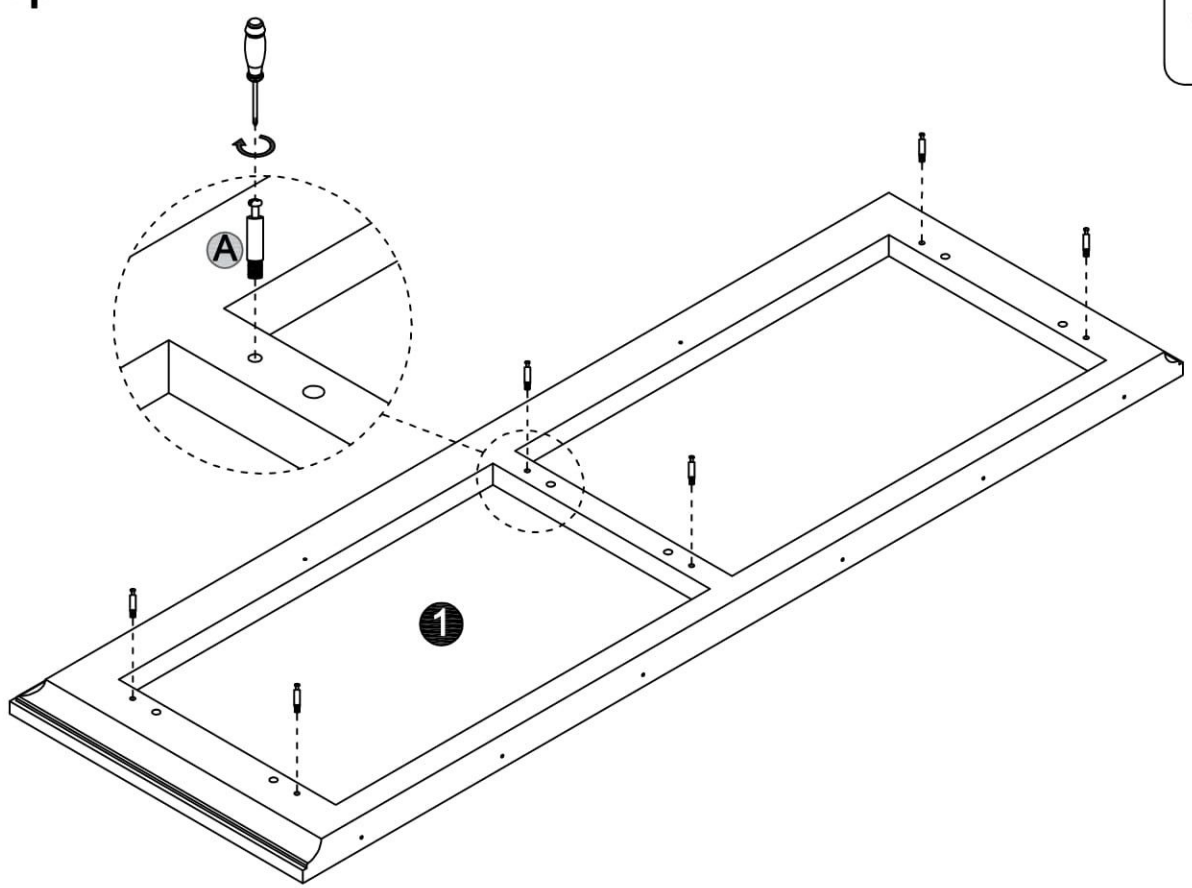
Step 11

B  8PCS	C  2PCS
---	---

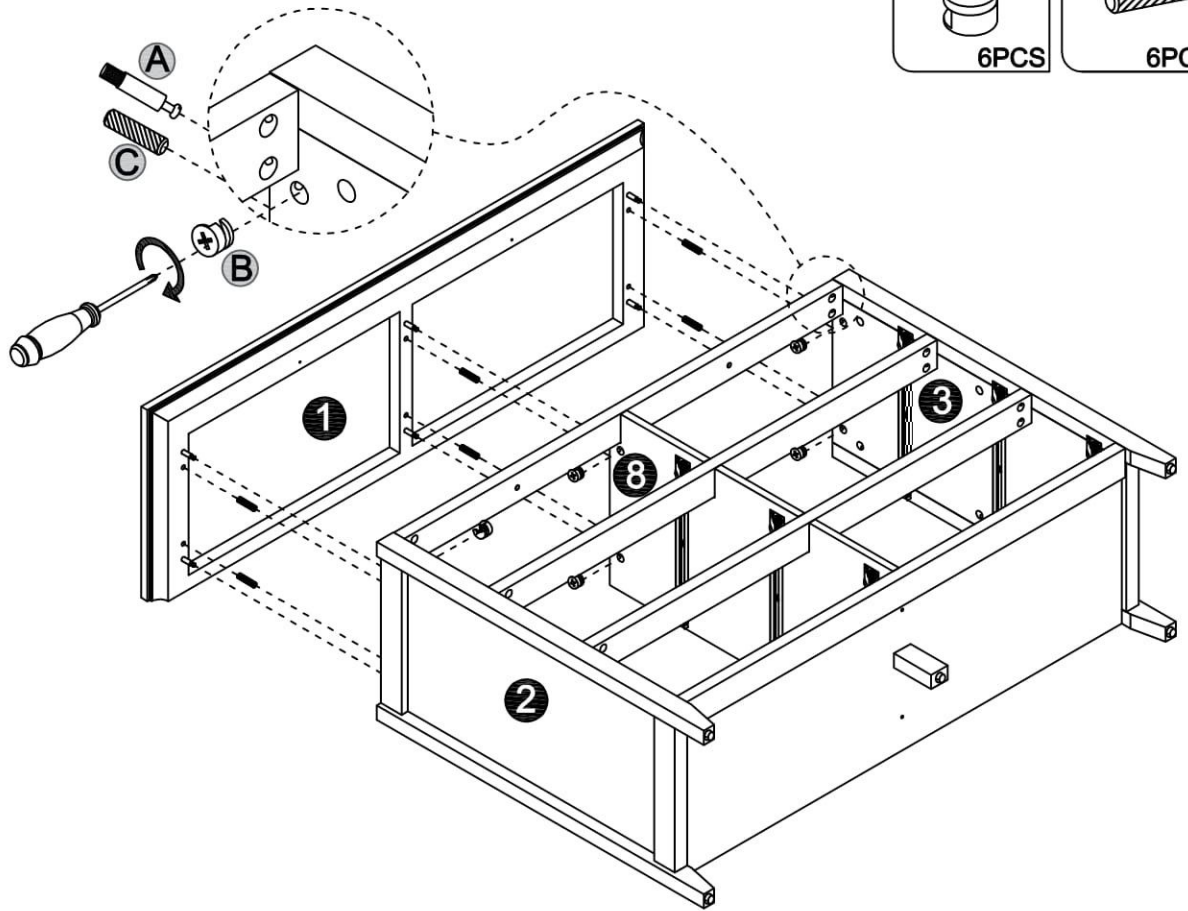
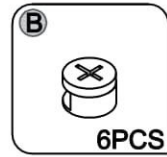


Step 12

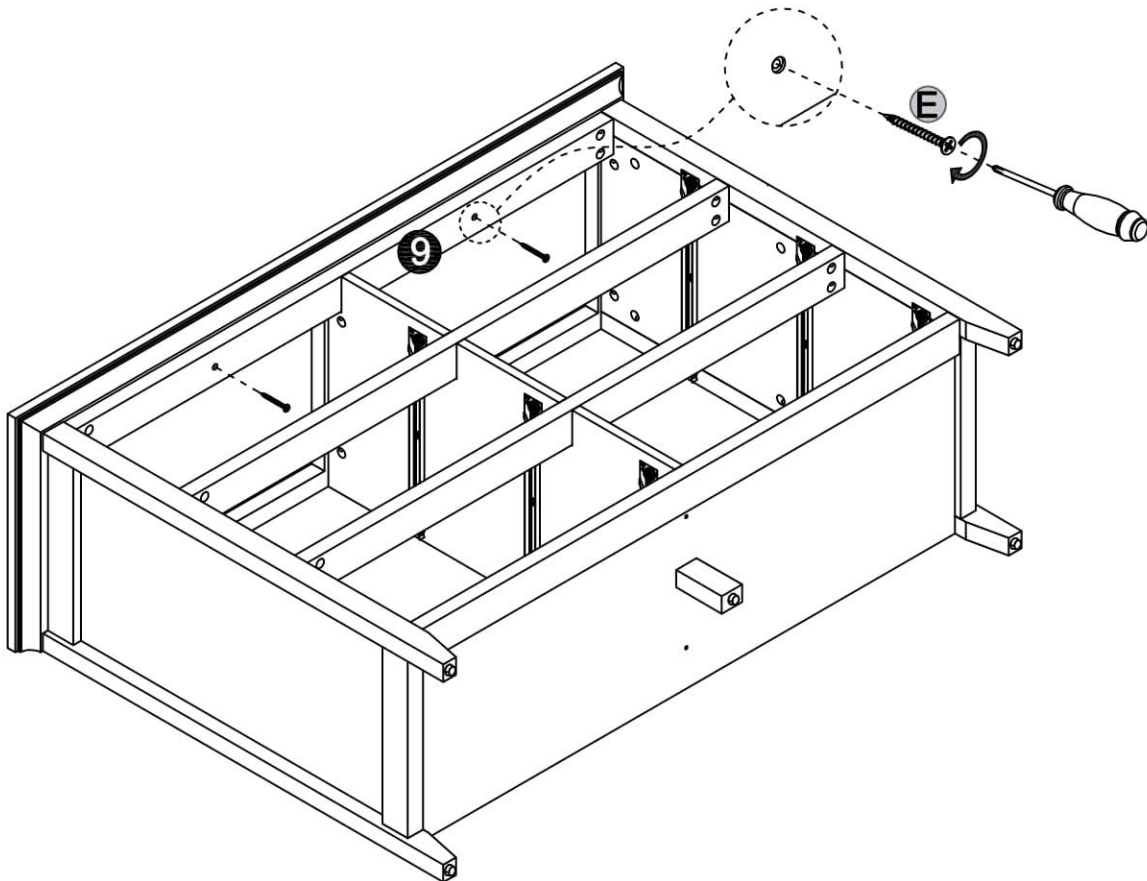
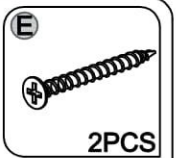
A  6PCS



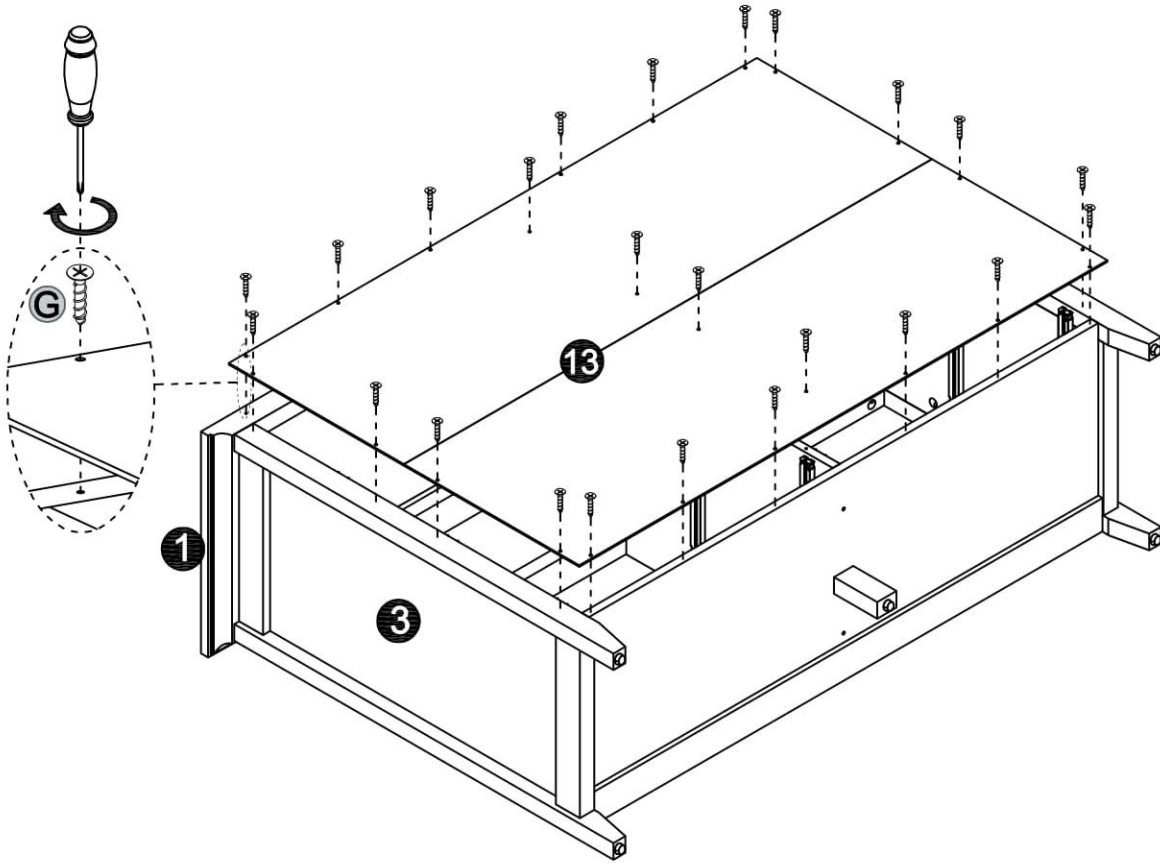
Step 13



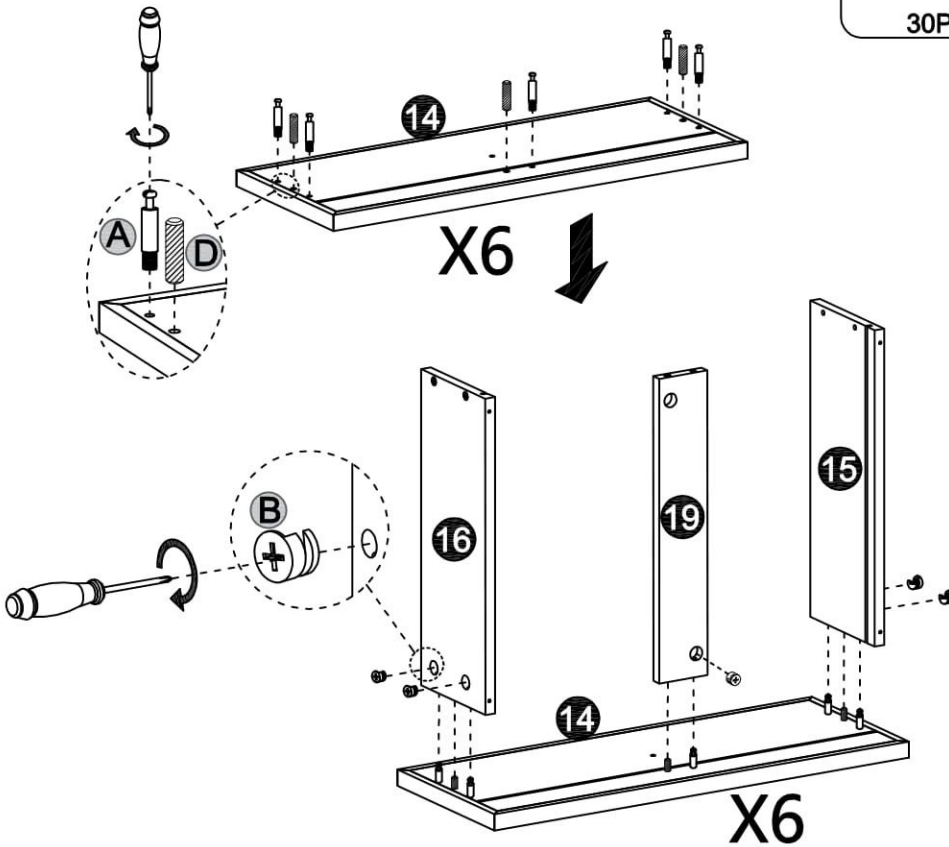
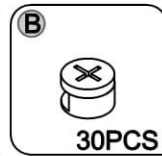
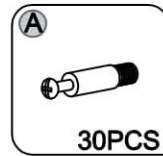
Step 14



Step 15

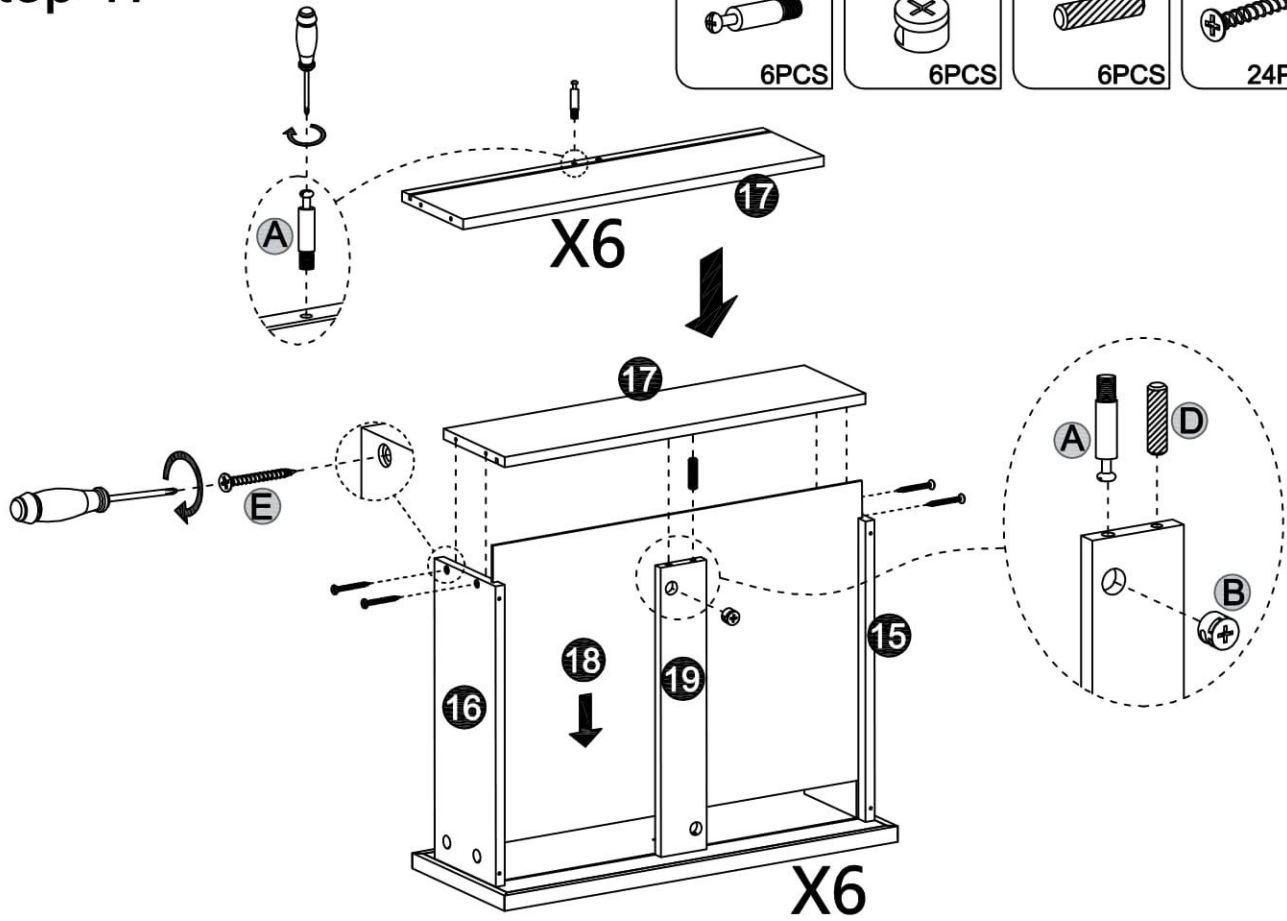


Step 16



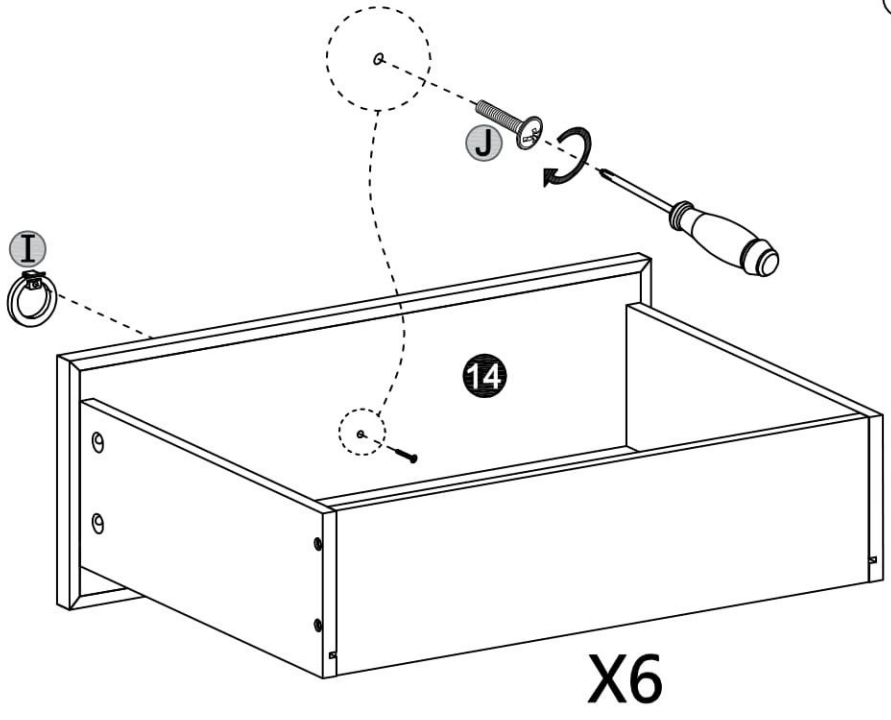
Step 17

- A** 6PCS
- B** 6PCS
- D** 6PCS
- E** 24PCS



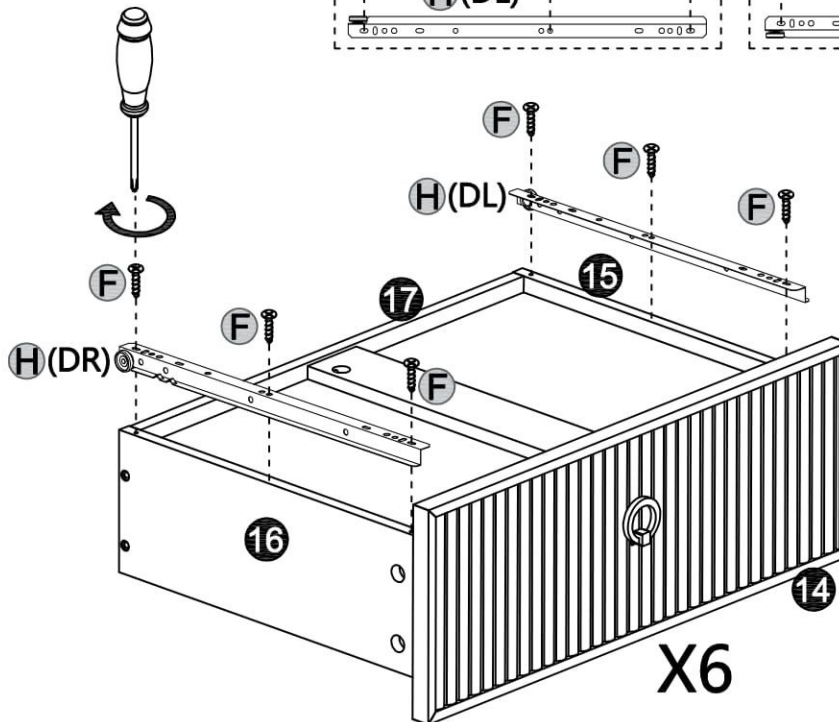
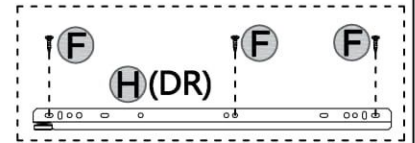
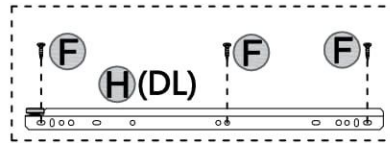
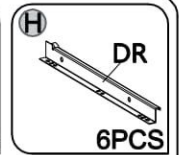
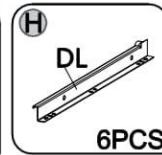
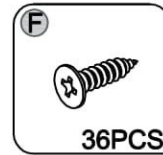
Step 18

- I** 6PCS
- J** 6PCS

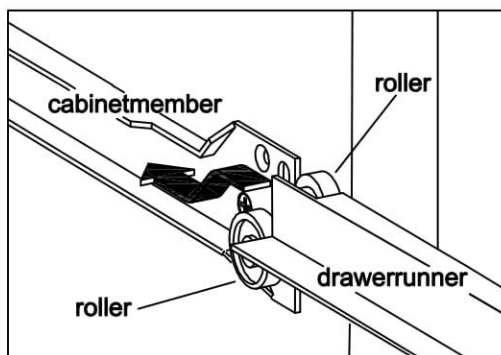
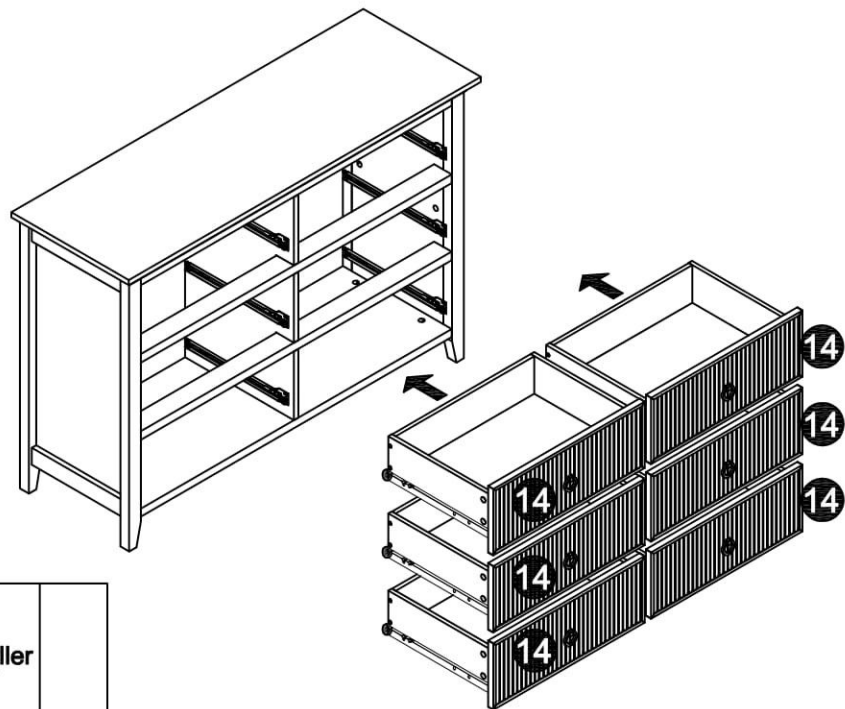


Step 19

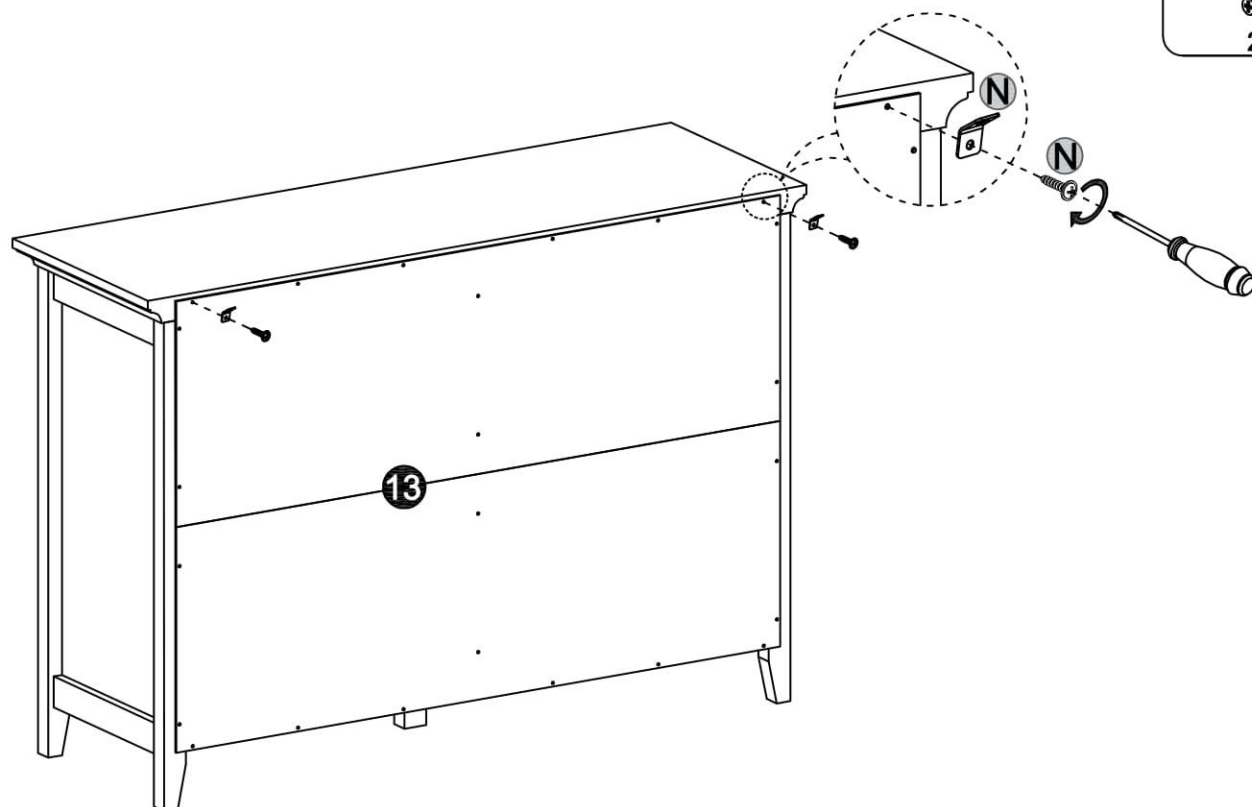
If necessary, install another screw in the middle of the drawer slide.



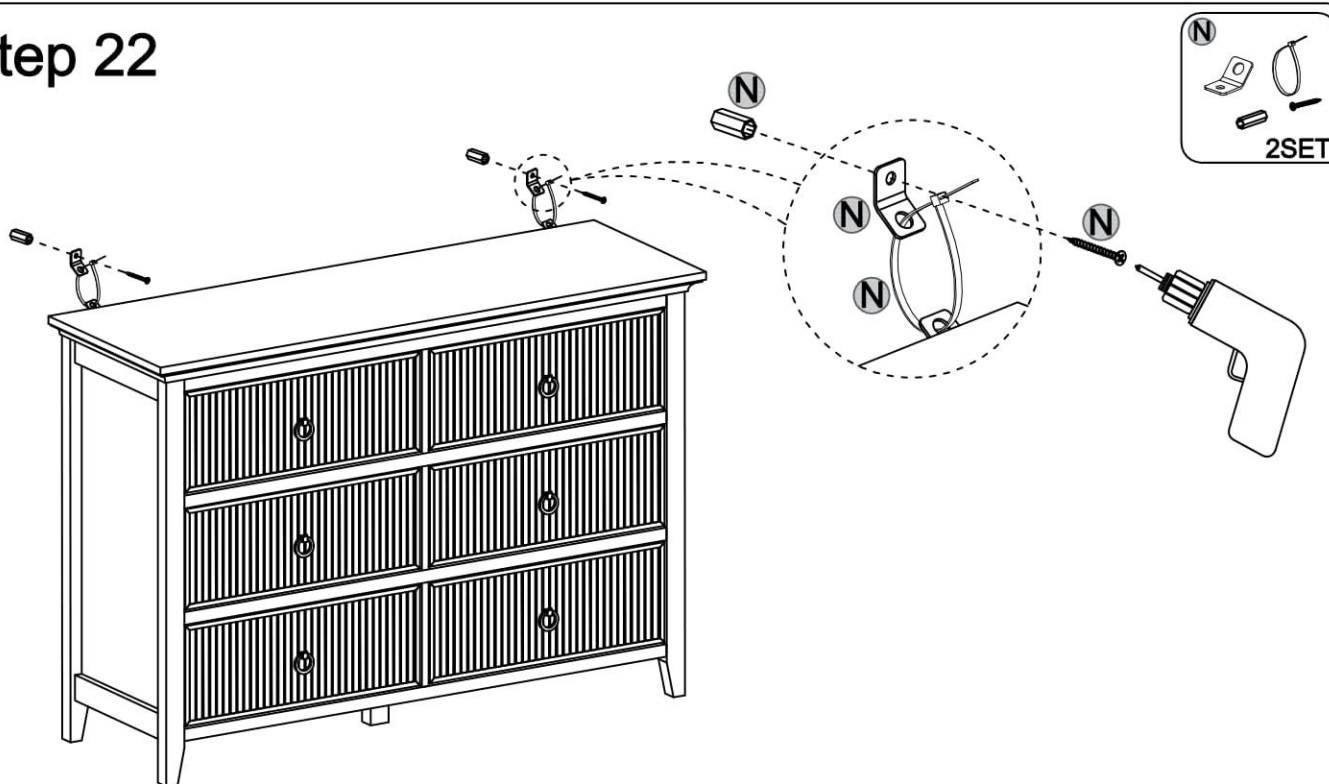
Step 20



Step 21



Step 22



Note: Pls check and tighten all screws.

IMPORTANT SAFETY INFORMATION

Please carefully read the instructions and caution warnings below before assembling the product. Following this guide will ensure that you install, use and maintain the product properly.

- Please keep this installation and user manual/instructions for future reference in case you need to assemble the product.
- Do not assemble if you notice serious damage such as cracks or bends.
- During installation, please use work gloves for hand safety.
- Please assemble the unit on carpeted floor or the flat cardboard box to avoid scratching the surface or your floor while assembling on the floor.
- To assemble, please use the complimentary installation tools (Allen Wrench). Pay more attention to the direction of components at each steps.
- It is recommended that two people work together to assemble the product.
- Please do not tighten the screws up too much, just to 80% before you finish to make the installation go on successfully.

HOW TO MAINTAIN YOUR PRODUCT:

- Check the screws of the product are not loose from regular use.
- Do not use sharp instruments, rubbing alcohol, corrosive chemicals, or abrasive cleaners to clean the product.
- Do not keep the product in a damp environment for a long period of time. The damp environment may cause the iron components to rust and the plates to bulge and crack.