

WARNING!

Children can drown in very small amounts of water. Empty the pool when not in use.
Never slide while facing direct sunlight.
Warning. Only for domestic use. Outdoor use.
Do not install the paddling pool over concrete, asphalt or any other hard surface.
Do not modify this product. Modification and changes made to this product that are not recommended by the manufacturer may lead injury.

MAINTENANCE OF POOL:

At regular time intervals, change the water of padding pools frequently (particularly in hot weather) or when noticeably contaminated.
Replace defective parts in accordance with the manufacturer's instruction.
If checking are not carried out the toy could overturn or otherwise become a hazard.



WARNING! Never leave your child unattended-drowning hazard.

MAINTENANCE

ATTENTION:

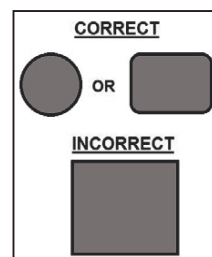
- **Never store Continuous Air Inflatable Product when it is wet. Allow product to completely dry before rolling up**
 - **All new materials – surface washable only.**
1. Seasonal inspection and maintenance should be conducted for any damage or leakage of the Continuous Air Inflatable product.
 2. Tears or punctures on the slide surface, steps, or other areas are laminated with PVC materials and can be repaired with a patch. Areas other than these can be patched by hand with a needle and strong household thread.
 3. Surface Wash Only – Never clean Blower with water. The Continuous Air Inflatable Product can be cleaned by wiping it down with a non-flammable, non-toxic mild detergent. Never clean Continuous Air Inflatable or Blower with a chemical solution as it may damage the coating on the fabric or the plastic parts.
 4. The Continuous Air Inflatable Product and Blower should be stored in a dry environment when not in use. Store product out of sun in dry and aerate conditions.

REPAIR PATCH INSTRUCTIONS:

WARNING: Repair patches must be applied by an adult only. KEEP OUT OF REACH OF CHILDREN.

INSTRUCTIONS:

1. Deflate the item, clean the damaged area and allow it to dry thoroughly.
2. Cut a portion of the patch allowing to the size needed and round the corners.
3. Remove the adhesive backing from the patch material, position the patch over the damaged area and smooth out any bubbles.
4. Allow to sit for 30 minutes before re-inflating.



CAUTION:

Remove all tags, twist-ties and plastic loops before giving toy to child
WEIGHT LIMIT: Platform and slide overall maximum total weight: 250lbs/113.4kg. Individual user maximum weight 80lbs/36kg.
Maximum 5 children on slides, platform or climbing wall at a time.
Contents and colors may vary.
Adult supervision required.
Please save this instruction sheet for future use

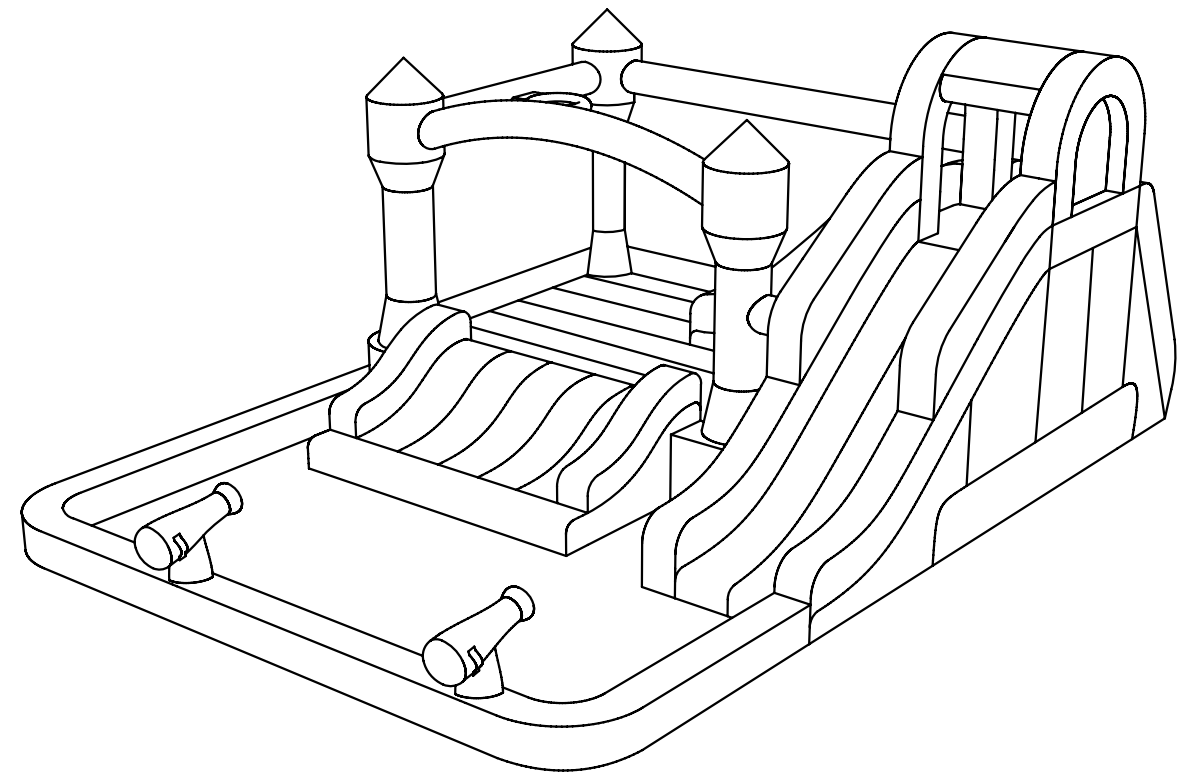
AK@Y:DIY

Summer Slice Splash INFLATABLE WATER SLIDE

USER MANUAL

AMM005201_B401_US

**AGE
3-10**



Customer Support

If you need help regarding product issues, after-sales service, or other relevant problems, please contact us via email:

✉ **support@akeydiy.net**

Please provide the following information:

- Order ID
- Problem Description



<p>⚠ WARNING: CHOKING HAZARD—Small parts. Not for children under 3 years.</p>	<p>⚠ WARNING: Adult assembly required.</p>	<p>CAUTION: ELECTRICALLY OPERATED PRODUCT Not recommended for children under 3 years of age. As with all electric products, precautions should be observed during handling and use to prevent electric shock.</p>
--	---	--

IMPORTANT SAFETY INSTRUCTIONS
Please read all instructions before assembling this product and keep instructions for future use.

SAFETY INFORMATION:

⚠ WARNING
PREVENT DROWNING



Children - especially toddlers - are at high risk of drowning. Closely watch children who are in or near this pool. Empty pool or prevent access when not in use.

Prevent Young Children From Drowning:

- Install fencing or other approved barrier around all sides of the product.
- State or local laws or codes may require fencing or other approved barriers. Check state or local laws and codes before setting up the product.
- Drowning occurs silently and quickly. Assign an adult to supervise when the product is being used.
- Keep children in your direct sight when they are in or near the product and when you are filling and emptying the product.
- When searching for a missing child, check the pool first, even if you think your child is in the house.

Be Prepared to Respond to an Emergency:

- Keep a working phone and list of emergency numbers near the product.
- Become certified in cardiopulmonary resuscitation (CPR) so you can respond to an emergency.

CAUTION: ELECTRICALLY OPERATED PRODUCT
ADULT SUPERVISION REQUIRED. NOT RECOMMENDED FOR CHILDREN UNDER 3 YEARS OF AGE. AS WITH ALL ELECTRIC PRODUCTS, PRECAUTIONS SHOULD BE OBSERVED DURING HANDLING AND USE TO PREVENT ELECTRIC SHOCK.

CAUTION:

- NOT SUITABLE FOR ADULTS.
- **WEIGHT LIMIT: PLATFORM AND SLIDE OVERALL MAXIMUM TOTAL WEIGHT: 250LBS/113.4KG. INDIVIDUAL USER MAXIMUM WEIGHT 80LBS/36KG. MAXIMUM 5 CHILDREN ON SILDES, PLATFORM OR CLIMBING WALL AT A TIME.**
- **MAXIMUM HEIGHT OF 5 FT (152 CM).**
- NOT SUITABLE FOR RENTAL OR COMMERCIAL USE.
- FOR OUTDOOR USE ONLY.



CHILDREN MUST HAVE ADULT SUPERVISION WHEN PLAYING WITH THIS PRODUCT. NEVER LEAVE CHILDREN UNATTENDED.

⚠ WARNING:
ELECTROCUTION RISK:

- Keep all electrical lines, radios, speakers, and other electrical devices away from Continuous Air Inflatable.
- Do not place Continuous Air Inflatable near or under overhead electrical lines.

⚠ WARNING:
ELECTROCUTION HAZARD.
DO NOT USE EXTENSION CORDS WITH THIS PRODUCT.

ASSEMBLING WATER SPRAYERS:

1. Attach the Hose Assembly to the Water Slide. Connect the Tubing to the hook and loop closures down the side of the inflatable.
2. Mount the Sprayers to the Top of the slide, the Arch above the Straight Slide and the Cannon. Matching the numbers on the tube and on the product for installing the Sprayers in right positions.
3. Attach the garden hose to the end of the Tubing Assembly.
4. Turn on the garden hose and adjust the pressure as desired. Make sure that a steady spray of water comes out of the sprayer and keep the slides wet.

PLAYING IN THE WATER SLIDE:

- Children can drown in a very small amount of water. Empty the pool when not in use.
- To avoid the risk of injury. ALWAYS slide down the slide with feet first. NEVER slide down on your stomach or head first.
- Only one child should be on the slide at one time.
- NEVER slide down the slide until the splashdown area is clear.
- NEVER slide or jump down the climbing wall.
- **WEIGHT LIMIT:** Platform and slide overall maximum total weight: 250lbs/113.4kg Individual user maximum weight 80lbs/36kg . Maximum 5 children on slides, platform or climbing wall at a time

NOTE: It is normal to see air bubbles rising from the pool floor and other wet areas of the Water Slide.

TO DEFLATE:

1. All children must leave the Water Slide before switching off the Blower.
2. Turn off the Blower and unplug it from the outlet.
3. Disconnect the long intake tube from the Blower and open the short release tube. Move the Blower to dry ground if it appears that it will get wet from draining water.
4. Turn off the garden hose and disconnect it from the clear plastic tubing.
5. As the Water Slide deflates, water will find the lowest point and drain from the collapsing pool walls. Lift the bottom of pool from one side to the another to let the remaining water drain
6. Remove stakes and drag the Water Slide away from the drained water to a dry area.
7. Re-stake the Water Slide and Blower, tie the long intake tube and the short release tube to the Blower again, then reconnect and power up the Blower
8. Leave the Water Slide inflated until all remaining water has evaporated and the Water Slide is dry. This may take 2 hours or more depending on weather conditions
9. Once Water Slide is completely dry, turn off the Blower and unplug it from the outlet.
10. Remove and drain the Hose Assembly from the Water Slide. Untie the drawstring from the short release tube and allow the Water Slide to fully deflate. Remove the Hose Assembly and wrap it up with no kinks.

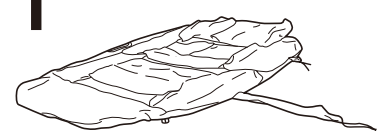
IMPORTANT NOTES:

- Inflatable Water Slide MUST be drained of all water and be completely dry before storage in order to avoid mold and mildew.
- It is normal to see air bubbles rising from the pool floor and other wet areas of the Water Slide.
- DO NOT fold and store Water Slide if any moisture remains.
- All Children MUST leave the Water Slide before deflation or draining water.
- For best results, 2 – 4 people should drain and move the Water Slide.
- Clean the pocket steps and remove debris after each play cycle.

STORAGE:

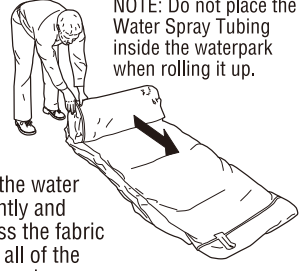
1. After Continuous Air Inflatable Item is completely deflated, Fold all pieces of the Water Slide (i.e. Slide. Air Inlet Tube, etc.) towards the center.
NOTE: If the bottom surface is still moist, allow it to air dry prior to folding.
2. Roll up the Water Slide tightly and compress the fabric to expel all of the remaining air.
NOTE: Do not place the Water Spray Tubing inside the Water Slide when rolling it up.

1



Fold all pieces of the waterpark (i.e. Slide, Air Inlet Tube, etc.) toward the center. NOTE: If bottom surface is still moist, allow it to air dry prior to folding.

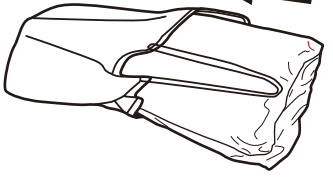
2



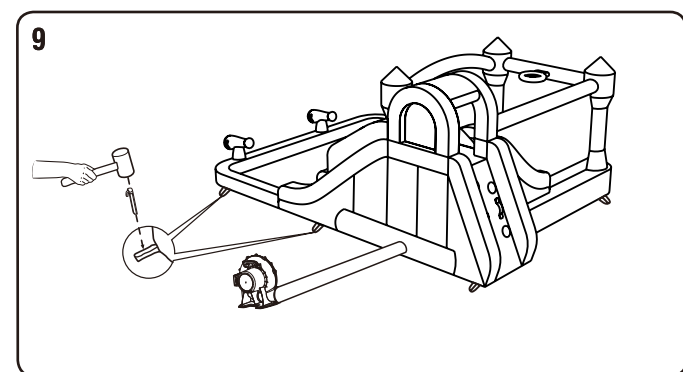
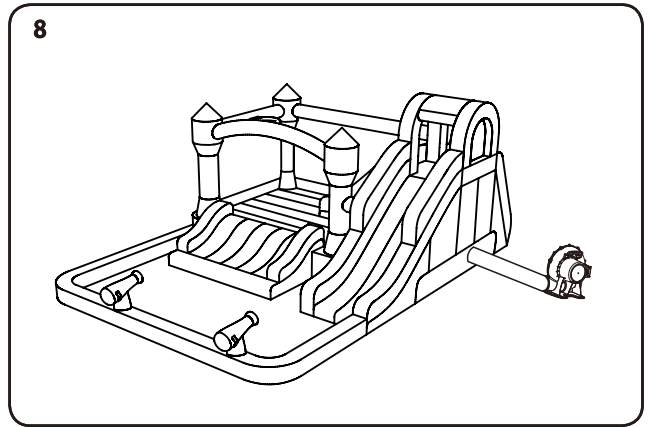
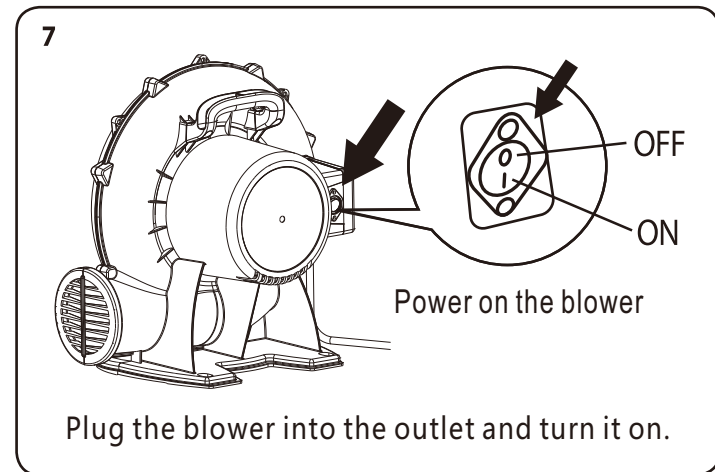
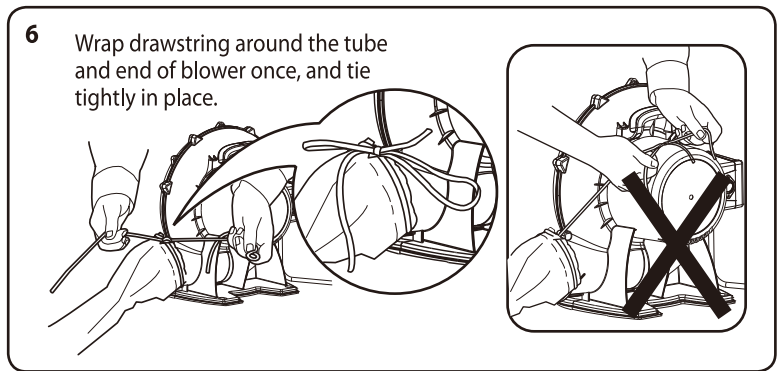
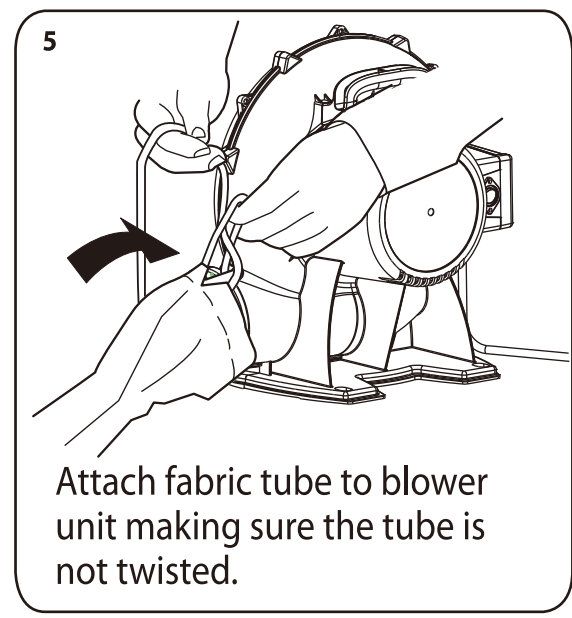
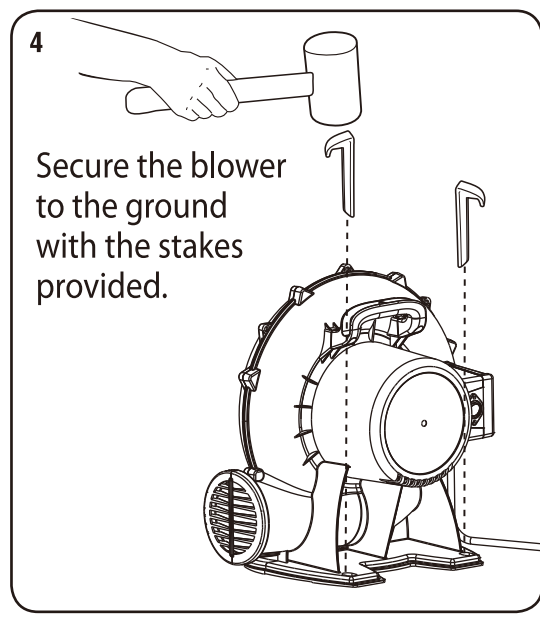
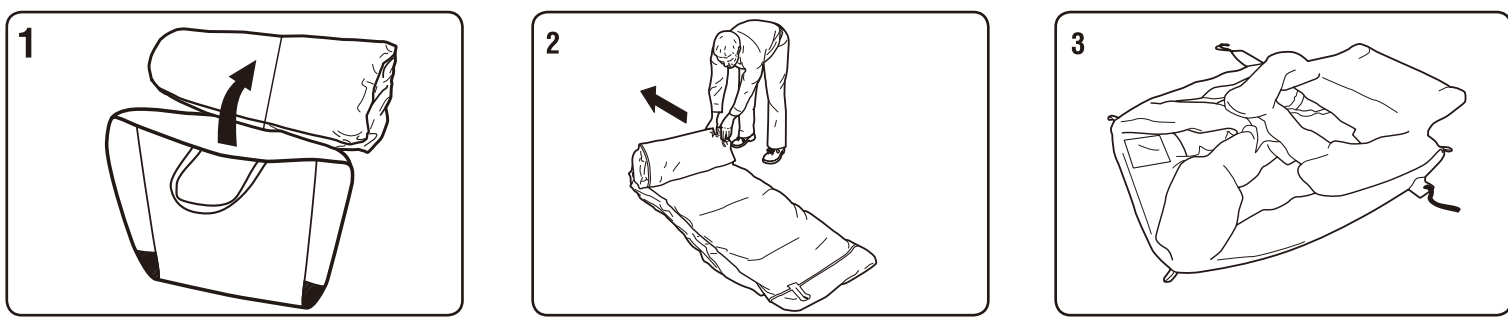
Roll up the water park tightly and compress the fabric to expel all of the remaining air.

NOTE: Do not place the Water Spray Tubing inside the waterpark when rolling it up.

3



Set-up



THE IMAGES ARE FOR ILLUSTRATIVE PURPOSE ONLY.

MESSAGE TO PARENTS:

This product should be periodically examined for conditions that may result in the risk of fire, electric shock, or injury to people. If such conditions exist, the product should not be used until properly repaired.

SAFETY PRECAUTIONS

WARNING! Please follow all operating rules whenever product is in use. FAILURE TO FOLLOW INSTALLATION AND OPERATING INSTRUCTIONS COULD RESULT IN SERIOUS INJURY OR DEATH. CHILDREN MUST HAVE ADULT SUPERVISION WHEN PLAYING WITH THIS PRODUCT. NEVER LEAVE CHILDREN UNATTENDED.

- Adult set-up and dismantling required. Adult supervision is required at all times while the Continuous Air Inflatable is in use to ensure observation of all parts of the play area, all activity on the inflatable device and keeping the entrance free from obstruction at all times. Never leave children unattended during play.
- **WEIGHT LIMIT:** Platform and slide overall maximum total weight: 250lbs/113.4kg. Individual user maximum weight 80lbs/36kg. Maximum 5 children on slides, platform or climbing wall at a time.
- Maximum Height of 5 feet (152 cm).
- Do not set-up, use, or expose the Continuous Air Inflatable and Electric Blower to any adverse outdoor weather conditions, such as, but not limited to rain, thunder, lightning, hail, snow, high winds, and tornadoes. Avoid setting up and operating Continuous Air Inflatable and Electric Blower: anywhere that these products could be potentially exposed to water.
- The Inflatable Device should be used on soft ground only. On any open side, the impact absorbing material (such as Rubber Mulch, Engineered Wood Fiber, EVA Mat, ... etc) should be placed on the ground at that side. The impact absorbing material shall be at least 6 feet (1.8 m) from the opening in all directions away from the inflatable device.
- Remove all shoes, eye glasses and sharp objects before entering. User's Dress Code: Avoid and remove all head gear, loose clothing, hard, sharp or dangerous objects, such as but not limited to: jewelry, ponchos, scarves, helmets.
- Bounce away from others and sides, especially near the opening.
- It is recommended to separate larger children from smaller children when playing with Continuous Air Inflatable.
- Keep hands off mesh walls. Never climb or hang on the containing walls.
- Inappropriate Activity is not permitted - No Flipping, Wrestling, or Piling Together.
- Do not bring or eat any food or drink into the Continuous Air Inflatable. Do not chew gum while using the Continuous Air Inflatable.
- Keep pets off and away from Continuous Air Inflatable and Electric Blower.
- Do not attach items to Continuous Air Inflatable that are not specifically designed for use with the inflatable device, such as, but not limited to, jump ropes, clotheslines, pet leashes, cables, and chains as they have the potential to cause strangulation hazard.
- The Continuous Air Inflatable Device may not be used outside during lightening conditions or if winds exceed 20 MPH (32 km/h). Please also refer to the Safety Precaution Section for additional weather related warnings.

Maximum number of children: 5	Total weight limit: 250lbs (113.4kg)	Individual weight limit: 80 lbs. (36 kg.)	Do not slide head first.	No wrestling.	Wind Speed Judgement.
Maximum individual height: 5 feet (152cm)	No shoes, no glasses.	No hands or feet on net.	No flipping.	Do not allow children to touch fan or electrical cord.	Must be anchored using stakes.
Adult supervision required. Do not leave children unattended.	3-10 years	No sharp objects	Do not use in windy conditions.	Do not leave out in rain.	

PART LIST		
1. Inflatable Water Slide with Pool*1	7. Carrying Bag*1	13. Step On The Pump*1
2. Electric Blower*1	8. Inflatable Basketball*1	
3. Ground Stakes for the Blower*4	9. Inflatable tumbler*1	
4. Ground Stakes for the Bouncer*10	10. Water Balloons*10	
5. Hose Assembly Kit*1	11. A Water Pistol With A Shark's Head*1	
6. Repair Patches*4	12. Two-Man Butt Catch*1	

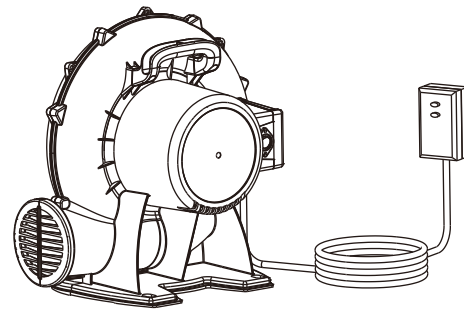
ELECTRIC BLOWER

User Guide



WARNING:

ELECTROCUTION HAZARD.
DO NOT USE EXTENSION CORDS WITH THIS PRODUCT.



ELECTRIC BLOWER OPERATING INSTRUCTIONS

1. The Continuous Air Inflatable shall only be inflated with the provided electrical blower or with manufacturer specified replacement blower. Do not use extension cord and keep the blower and power cord away from water.
2. Place the blower on soft, level ground and then fixed in place by inserting the provided ground stakes through the fixing holes and firmly into the ground.
3. Blower should be installed in a well-ventilated location and on level surface.
4. Blower must be fixed reliably when being used outdoors.

INSTALLATION:

1. Place the blower on the ground and then secure it by inserting the ground stakes into the holes in the base.
2. The blower should be installed in a well-ventilated location and on a level surface.
3. The air input of the Sidewinder Falls™ (the long yellow intake tube) is to be attached to the air output of the blower and secured in place with a cord.

USING THE BLOWER

1. Plug the Blower into a power supply.
2. To avoid electric shock, never plug in or unplug the appliance when hands are wet.
3. The power supply should be disconnected if the Blower or Continuous Air Inflatable Product needs to be transported or moved.
4. There is an ON/OFF switch on the body of the Blower. Press "I" to switch the Blower on and press "O" to switch Blower off.

GROUNDING INSTRUCTIONS FOR ALL GROUNDED, CORD-CONNECTED PRODUCTS:

This product should be grounded. In the event of an electrical short circuit, it reduces the risk of electric shock by providing an escape wire for electric current. This product is equipped with a cord containing a grounding wire with an appropriate plug.

The plug must be connected to a socket that is properly installed and grounded in accordance with all local codes and ordinances.

DANGER! Improper installation of the grounding plug can result in a risk of electric shock. If repair or replacement of the cord or plug is necessary, please do not connect the grounding wire to either flat blade terminal. The wire with the insulation having the green outer surface with or without the yellow stripe is the grounding wire.

Check with a qualified electrician or serviceman if the grounding instructions are not completely understood or if in doubt as to whether the product is properly grounded. Do not modify the plug provided. If it does not fit the outlet, please have the proper outlet installed by a qualified electrician.

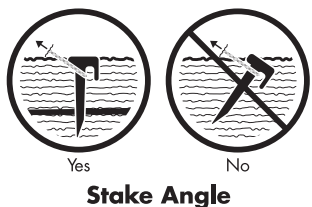
CONTINUOUS AIR INFLATABLE INSTALLATION & OPERATING INFORMATION

- Adult supervision is required during set-up and take down.
- When changing the location of the Continuous Air Inflatable Product do not drag across rough surfaces.
- Always anchor the Continuous Air Inflatable Product and Blower with corresponding ground stakes properly before use.
- Do not set up in windy or rainy conditions. Sudden gusts of wind may lift the product off of the ground.
- Use of this product when under-inflated or during deflation could cause serious injuries.

INFLATING & STAKING THE WATER SLIDE:

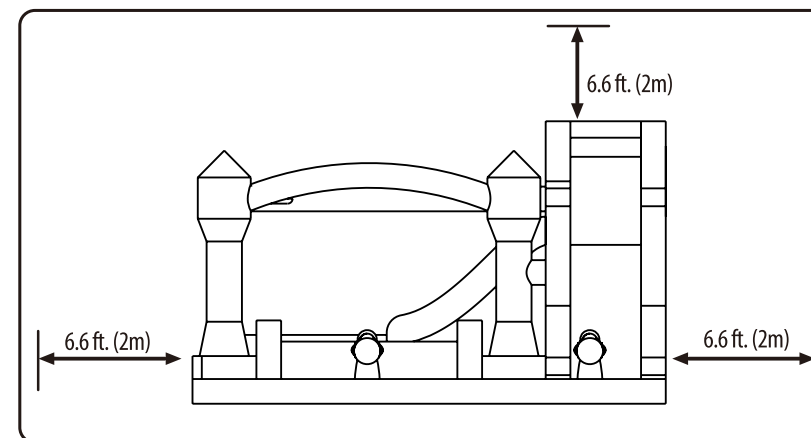
1. Remove Continuous Air Inflatable Device from storage bag or package. Place the product on a soft level ground surface at least 2 m (6 ft) away from any structure or obstruction such as fence, garage, house, overhanging branches, laundry lines, or electrical wires.
2. Check the ground where the product is to be inflated for any sharp objects or unusual by products. Do not install Continuous Air Inflatable Devices over concrete, asphalt, packed earth, carpet or any other hard surface. A fall onto hard surface can result in serious injury to the user. Do not set up the product on a slope or incline.
3. Unfold and place the Continuous Air Inflatable Device on level ground, not less than 1.8 m (6 ft) in any direction from any structure or obstruction such as a fence, garage, house, overhanging branches, laundry lines, or electrical wires. Do not install Continuous Air Inflatable Devices over concrete, asphalt, packed earth, carpet or any other hard surface. A fall onto hard surface can result in serious injury to the user.
4. The Continuous Air Inflatable shall only be inflated with the provided electrical blower or with manufacturer specified replacement blower. Do not use extension cord and keep the blower and power cord away from water. Place blower on level ground and insert the ground stakes through the holes at the base of the blower firmly into the lawn.
5. Fully stretch out the air fill tube and position the blower at the end of the tube. Slide the end of the tube around the mouth of the blower and secure air tube to blower with the string that is provided. The air tube should be straight and untwisted.
6. Plug blower into an approved grounded outlet. Ensure that the blower is free from debris and securely sited to avoid tripping.
7. To inflate Continuous Air Inflatable, turn the switch on the blower to ON. The continuous air blower must be left on at all times while the Continuous Air Inflatable item is in use.
8. Bouncer inflates in less than 2 minutes.
9. The ground stakes provided are used for lawn surfaces. Hook the ground stakes over and into the safety loops and secure firmly into ground, below ground level, to prevent overturn or lift during play. The stakes should be placed level with or under the ground to reduce tripping hazard. Diagram A show how the ground stakes are to be attached to the loop of the bouncer and the locations of the loops for the ground stakes.
10. Ensure that the Continuous Air Inflatable item is fully inflated and securely anchored before allowing child to enter to play. Failure to do so will result in the product being unstable and can cause serious injuries.
11. As the product remains inflated, air leakage at the seams is normal and necessary to ensure that the product does not over inflate.

Fig. 2



Stake Angle

Minimum Clearance Zones



MINIMUM CLEARANCE ZONES

Make sure that there is a 6.6 feet (2 m) obstacle-free zone around the product, including the bouncer and overhead.

