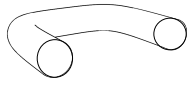


ARM CHAIR ASSEMBLY INSTRUCTION (TOTAL 1 BOX)



A x 1 pcs



B x 1pc



C x 4 pcs ($\varphi 5/16$ "x1.6"



D x 8 pcs ($\varphi 5/16$ "x3.1"



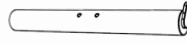
E x 1 pc



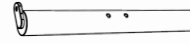
F x 12 pcs



G x 12 pcs



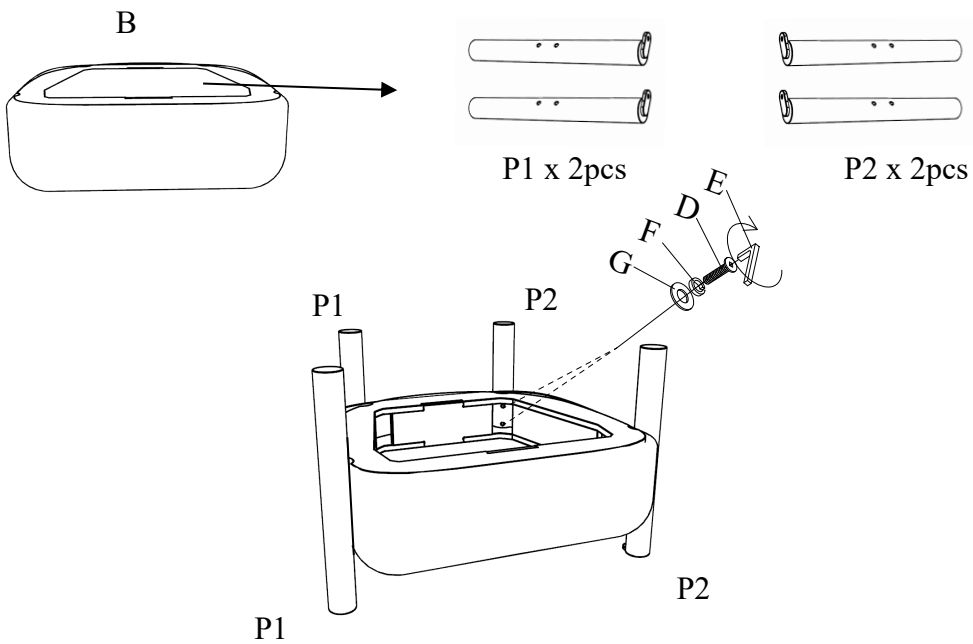
P1 x 2pcs



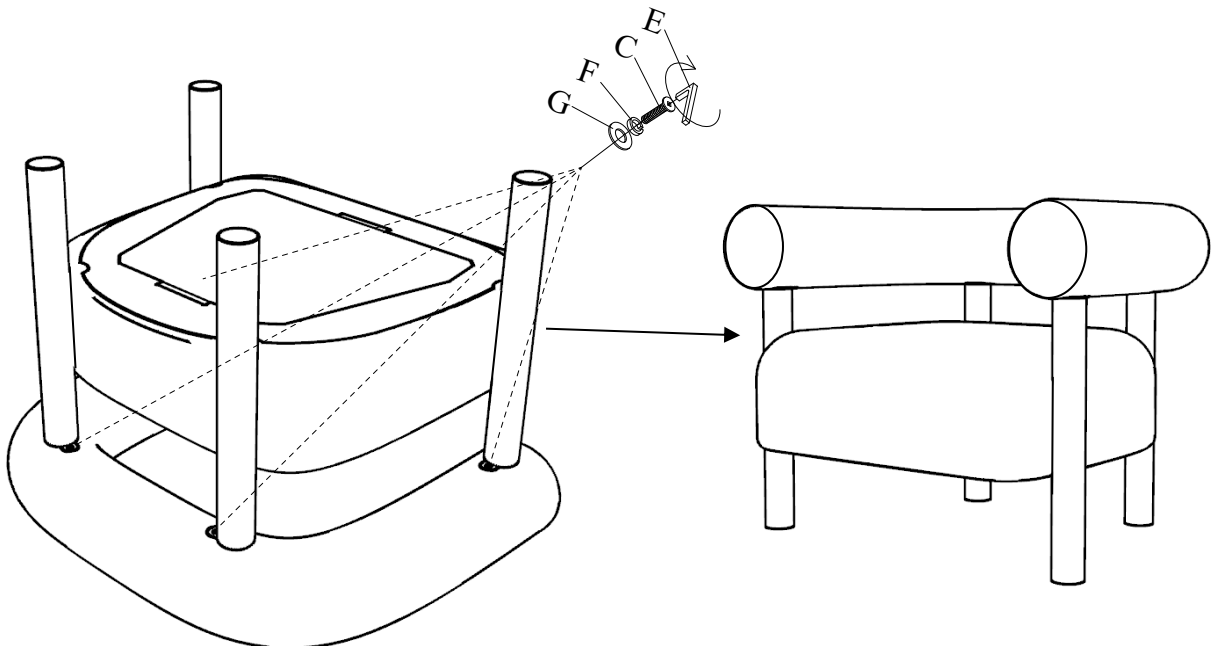
P2 x 2pcs

1

Please leave bolts loosened until all bolts are placed before tightening completely.



2



Thank you for your purchase