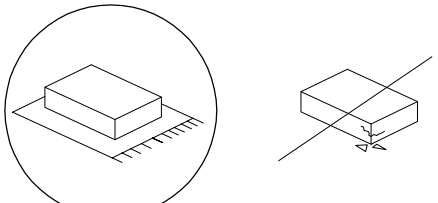


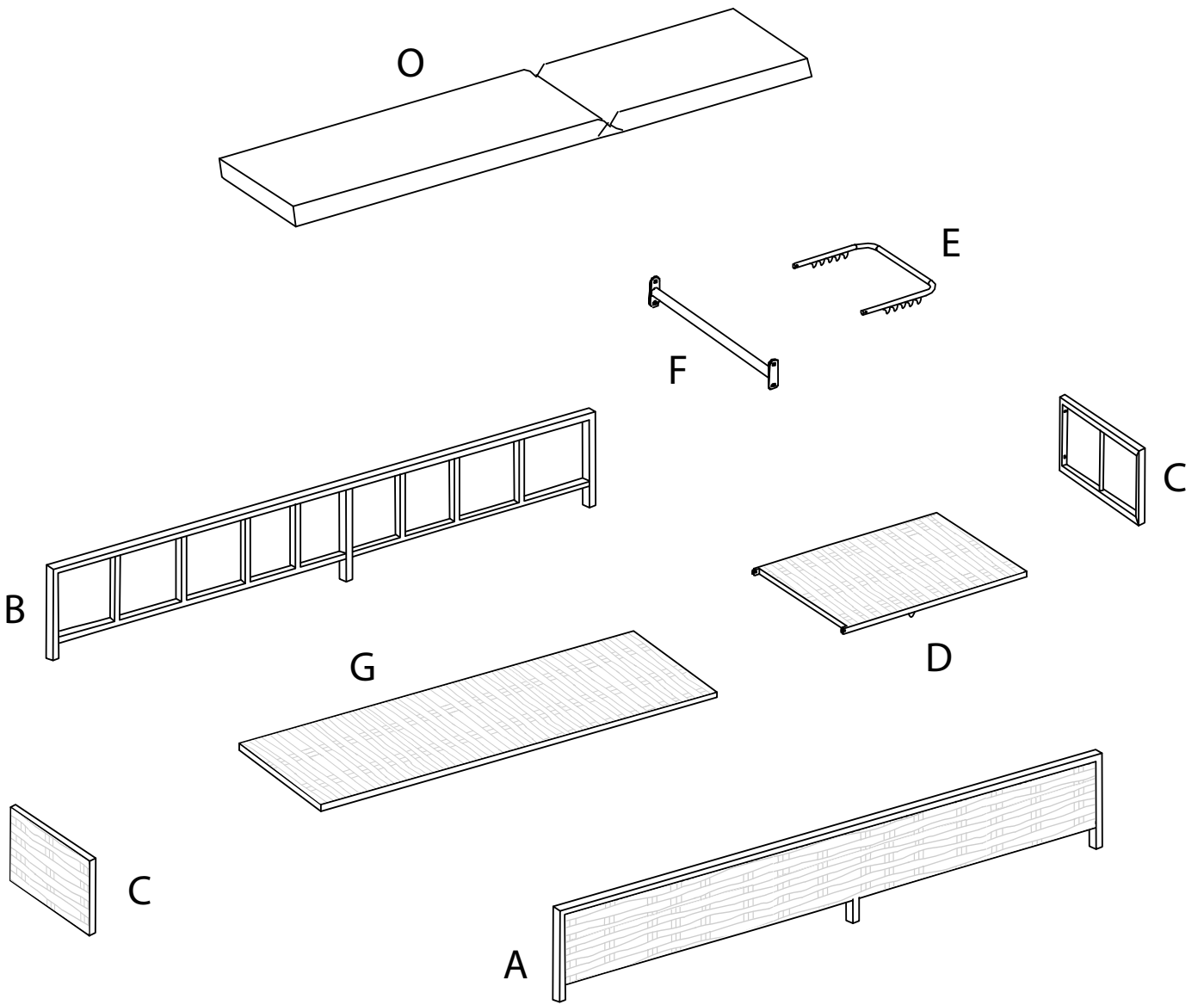
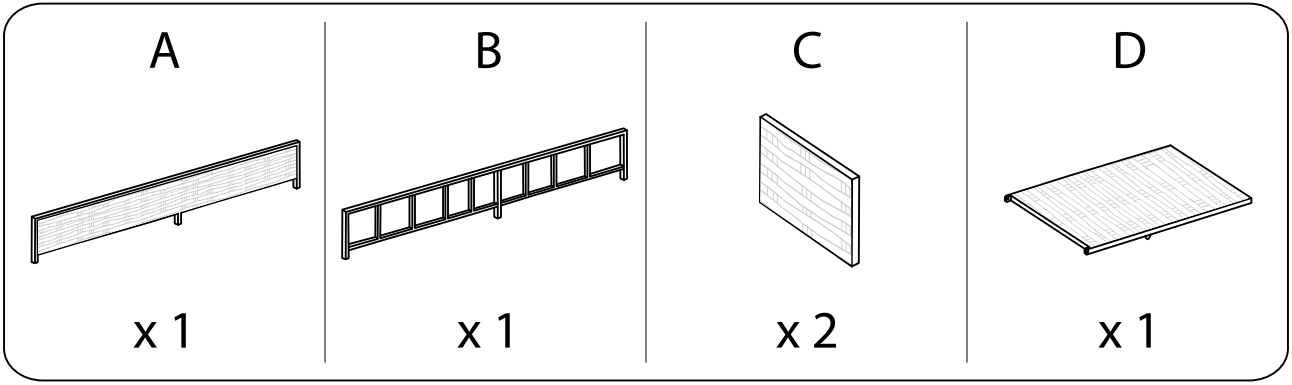
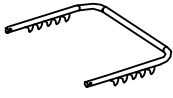

	<p>30'</p>	
		
		<p>1</p>

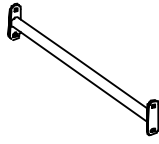


E



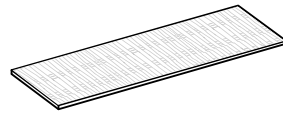
x 1

F



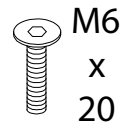
x 1

G



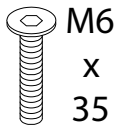
x 1

H



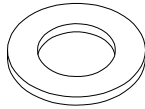
x 6

I



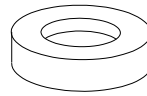
x 18

J



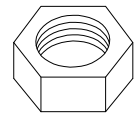
x 26

K



x 2

L



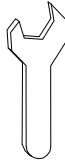
x 2

M



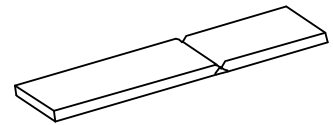
x 1

N




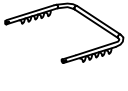
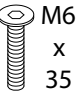
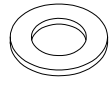
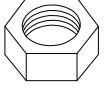
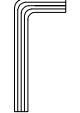

x 1

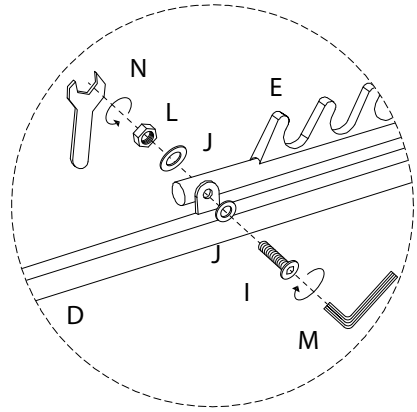
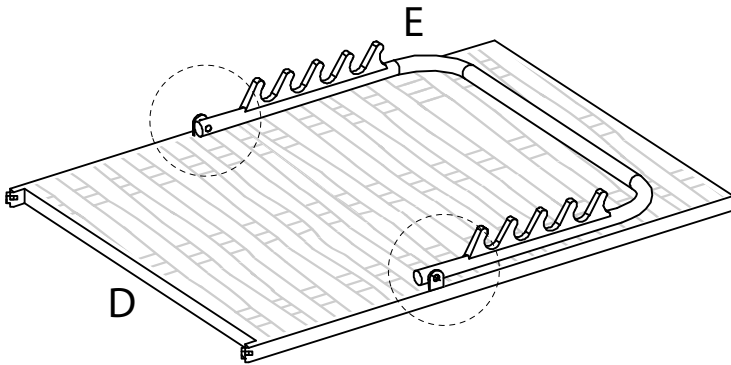
O



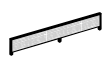

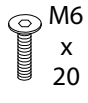
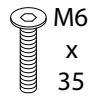
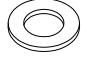
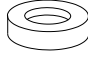

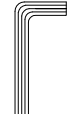
x 1

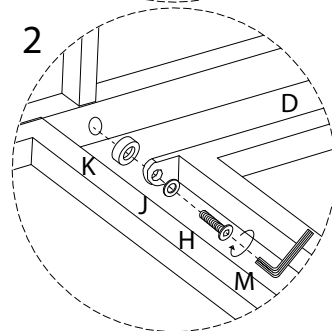
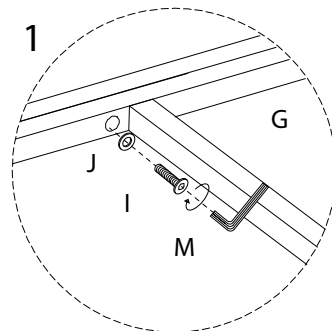
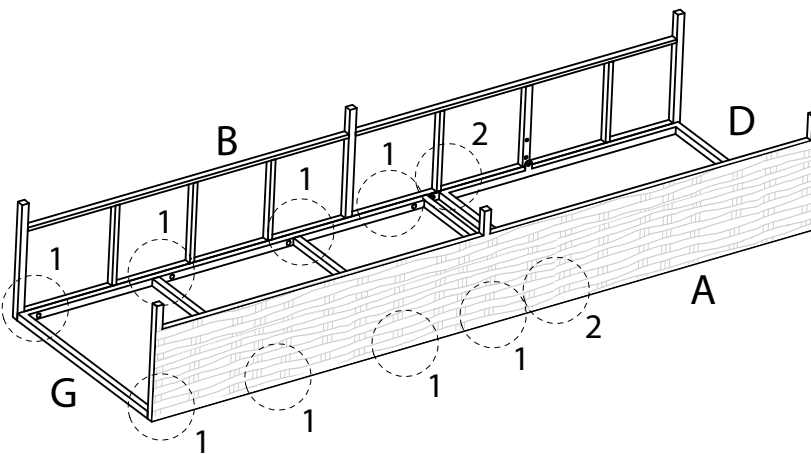
1

D	E	I	J	L	M	N
						
x1	x1	x2	x4	x2	x1	x1

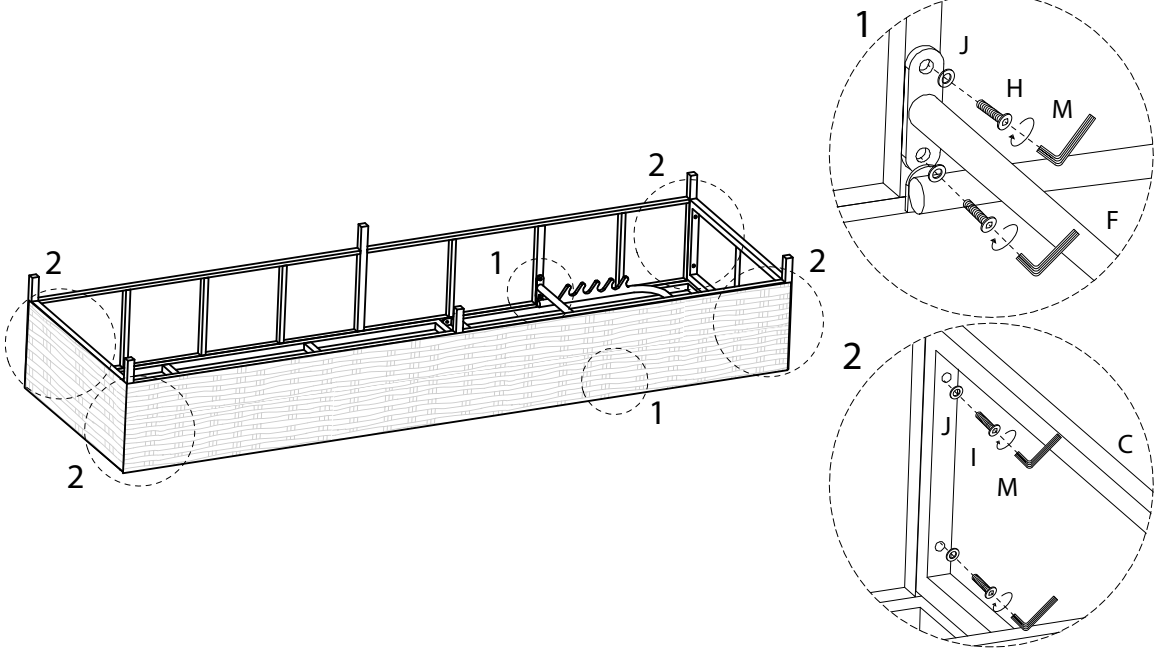
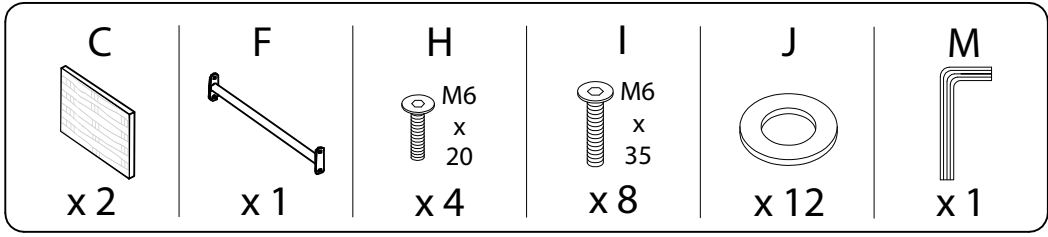


2

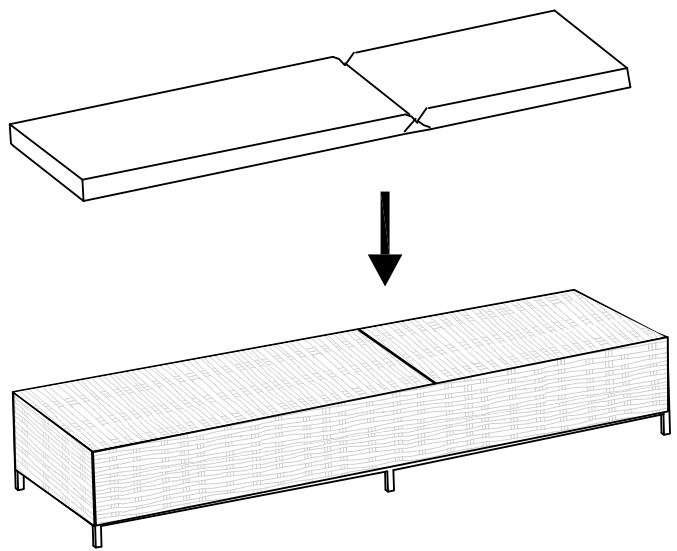
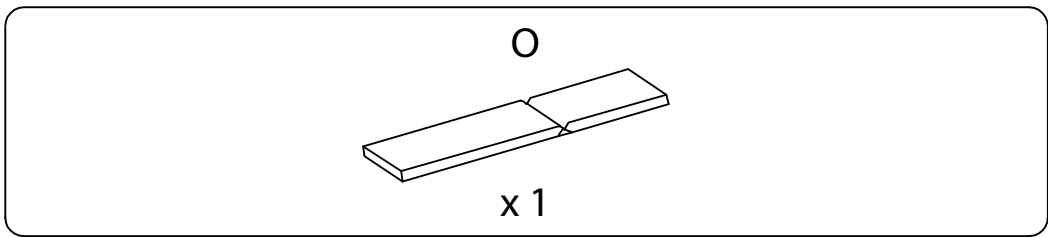
A	B	H	I	J	K	G	M
							
x1	x1	x2	x8	x10	x2	x1	x1



3



4



5

