


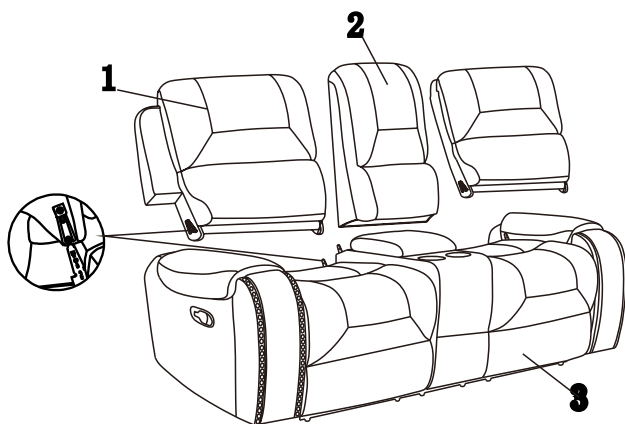


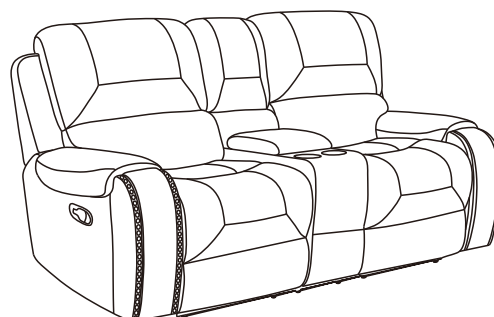
ASSEMBLY INSTRUCTIONS

PART LIST		
NO.	PART	Q.TY
1		2PC
2		1PC
3		1PC

STEP 1



STEP 2



STEP 3

