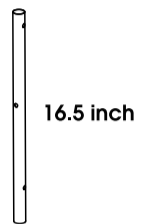


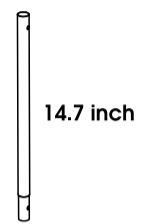
INSTALLATION MANUAL

PART DESCRIPTIONS



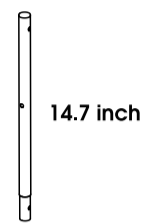
16.5 inch

A Bottom Tube*4



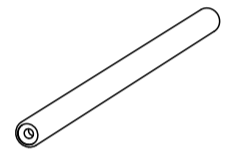
14.7 inch

B Metal Tube*8

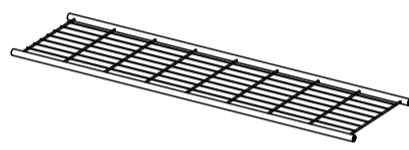


14.7 inch

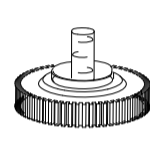
C Top Tube*4



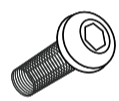
D Side Bar*4



E Mesh Shelf*5



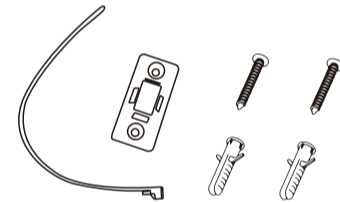
F Leveling Foot*4



G M6 Screw*28



H Hex Key*1



I Wall Anchor Strap Kit*1

NOTICE

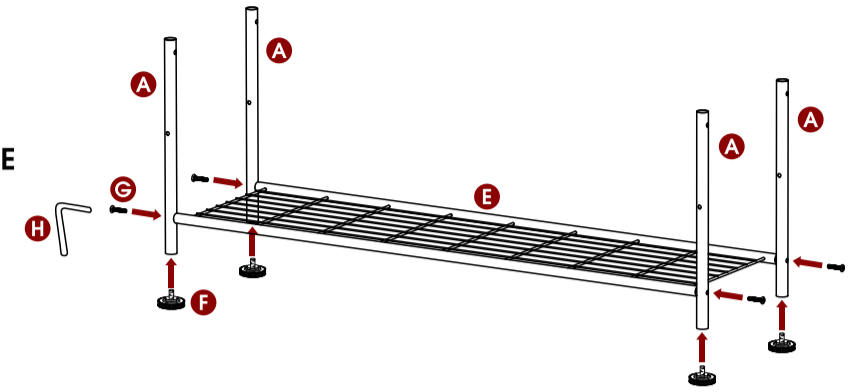
1. Please check if there are accessories damaged or lost when you receive the product. If there are, please contact our customer service team.
2. It's recommended to put the heavy objects on the lower shelves, and make sure the center of gravity for each shelf is in the middle to maintain balance and stability.
3. Please place the product against the wall on a level surface.
4. Please ensure that each product component is securely connected.

GUARANTEE

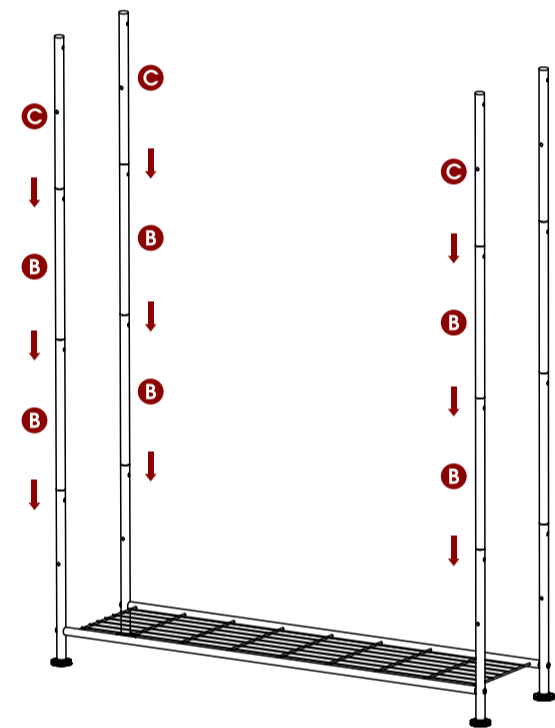
If you have any queries regarding your product, please feel free to contact us. We will offer you a replacement or a FULL refund.

INSTALLATION STEPS

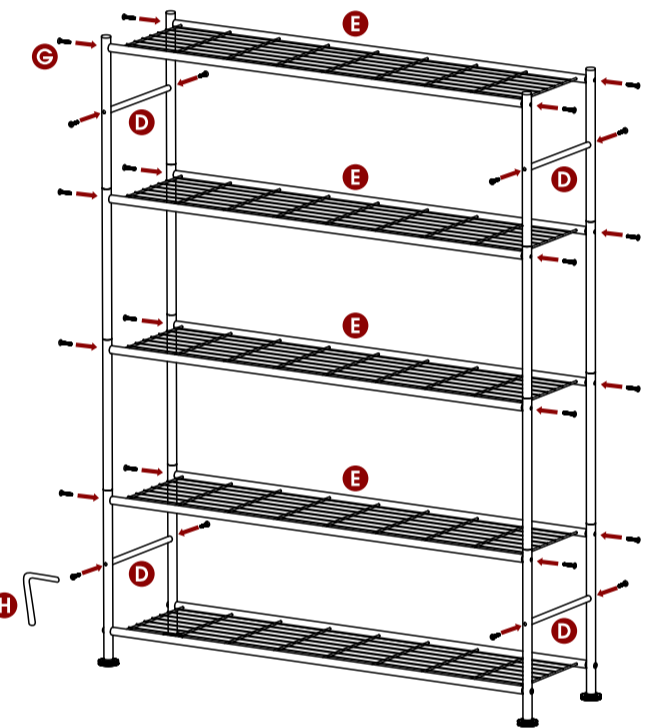
Step 1: Screw 4 Fs to 4 As. Fasten one E to As with 4 Gs and H.



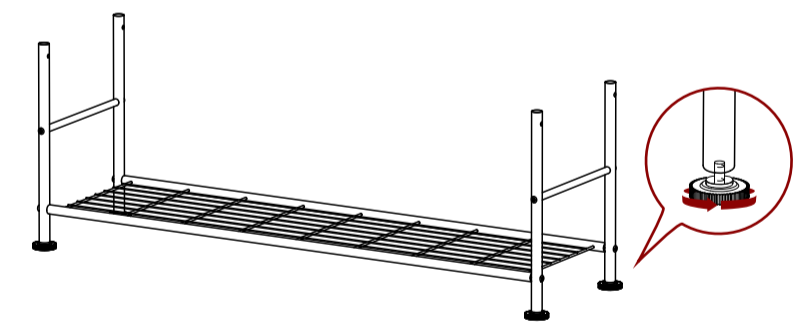
Step 2: As the picture shows, insert 8 Bs and 4 Cs in turns.



Step 3: As the picture shows, attach 4 Es to assembled tubes with 16 Gs, and fix 4 Ds to As and Cs with 8 Gs. Then, lock all Gs with H.



Step 4: Adjust F to adapt to uneven floors if needed. Check that all screws are tightened.



How to install the wall anchor strap if needed?

1. Mark and drill the drilling holes on the wall.
2. Hammer the drywall anchors into holes.
3. Fix the bracket to the wall with screws.
4. Use the strap to connect the middle of the top shelf and the bracket.

