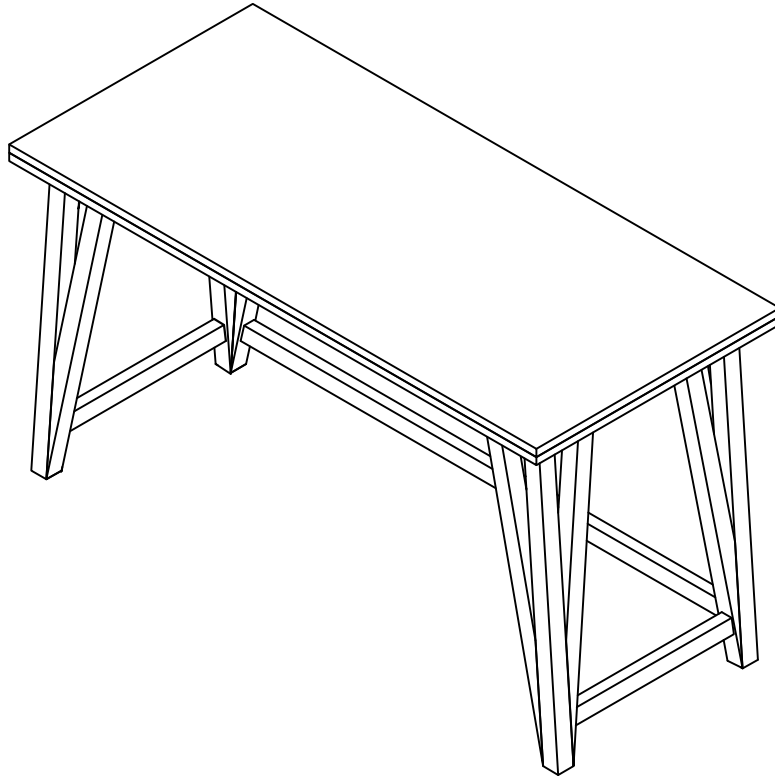


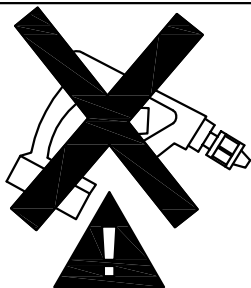
ASSEMBLY INSTRUCTION

24" x 54" Desk



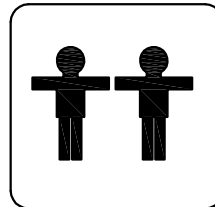
REPLACEMENT PARTS

Please do not contact the company purchased from as we can help you faster.
Order replacement parts and hardware at " www.boltonfurniture.com "

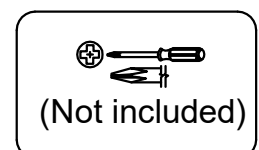
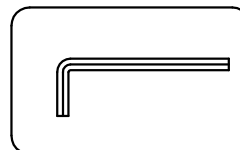


. Use of power tool to assemble this product will invalidate any claim and damage this product making it unsafe !!!

. Please assemble on a clean soft surface to avoid damage.

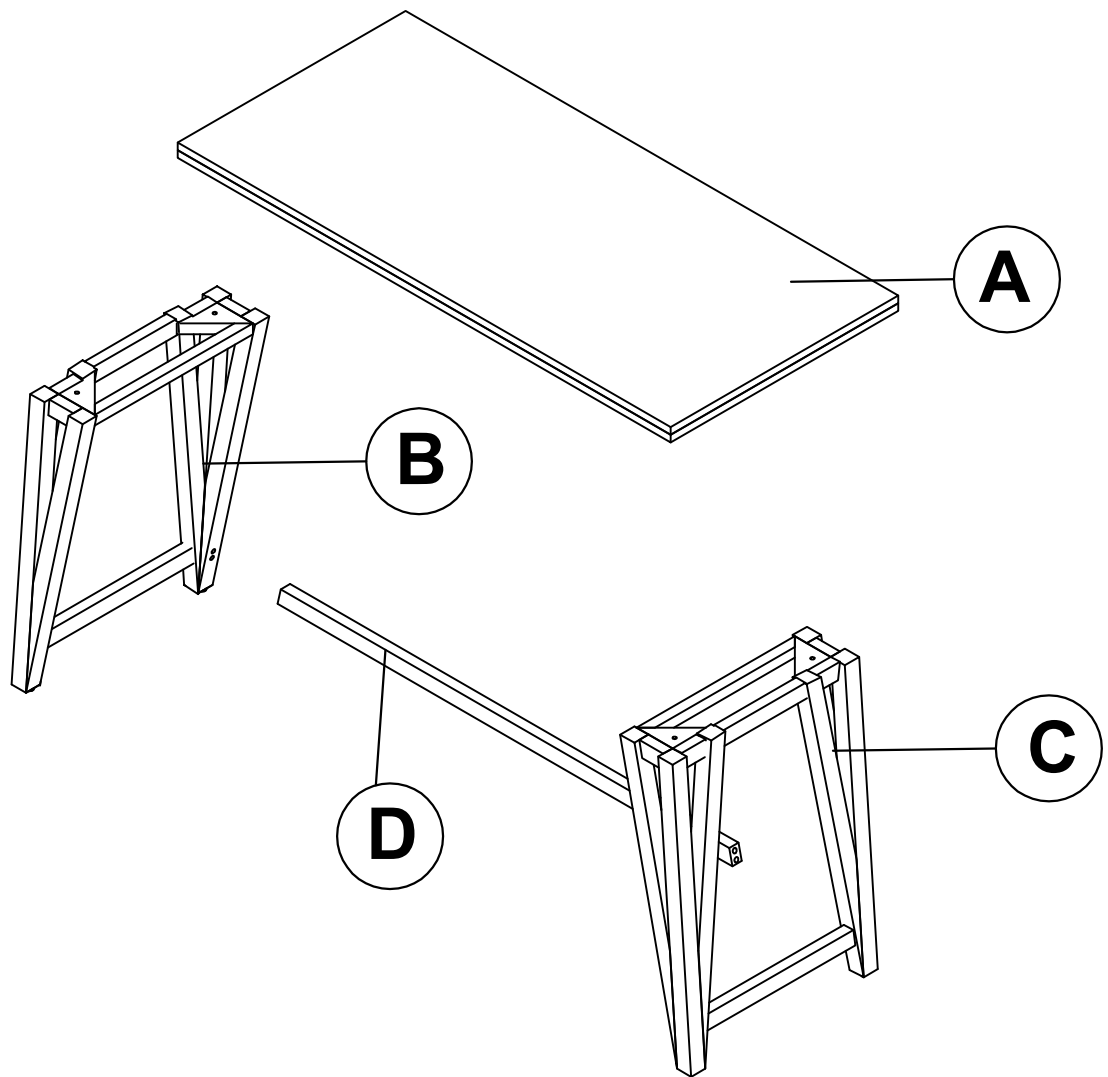


Tools Required

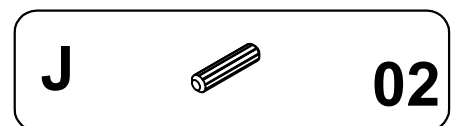
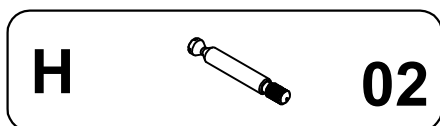
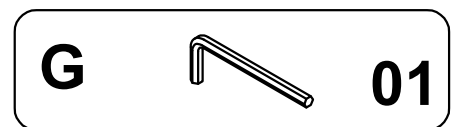
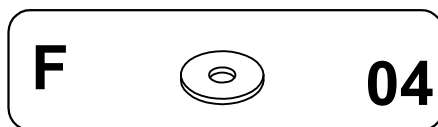
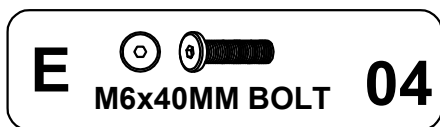


www.boltonfurniture.com



Part list - 24"x54" Desk

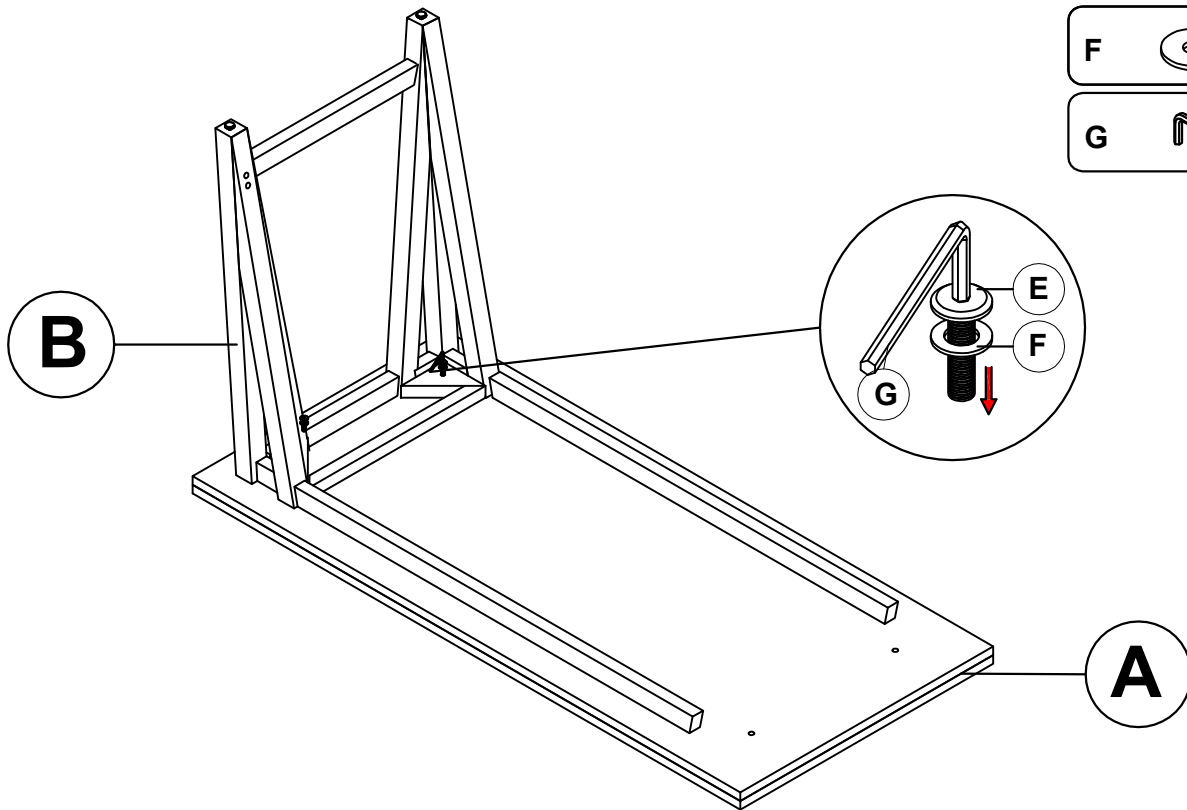


Identifying the hardware-Identify the hardware using the illustrations below

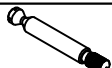

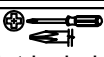


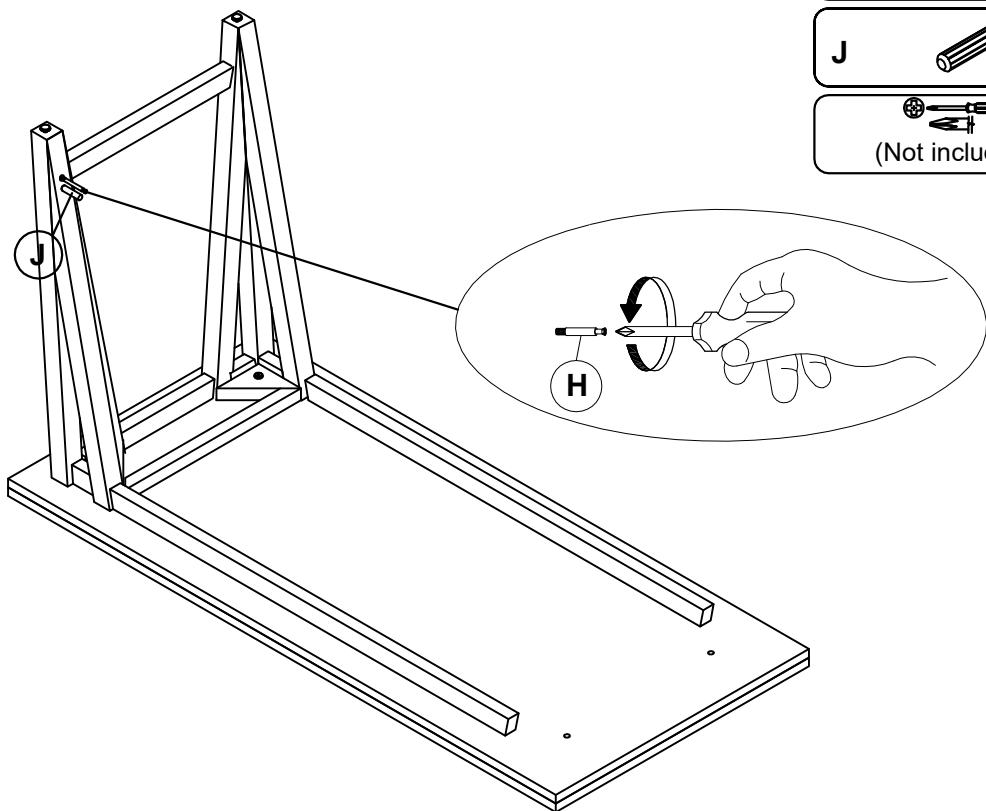
Step 01

E		02
F		02
G		01





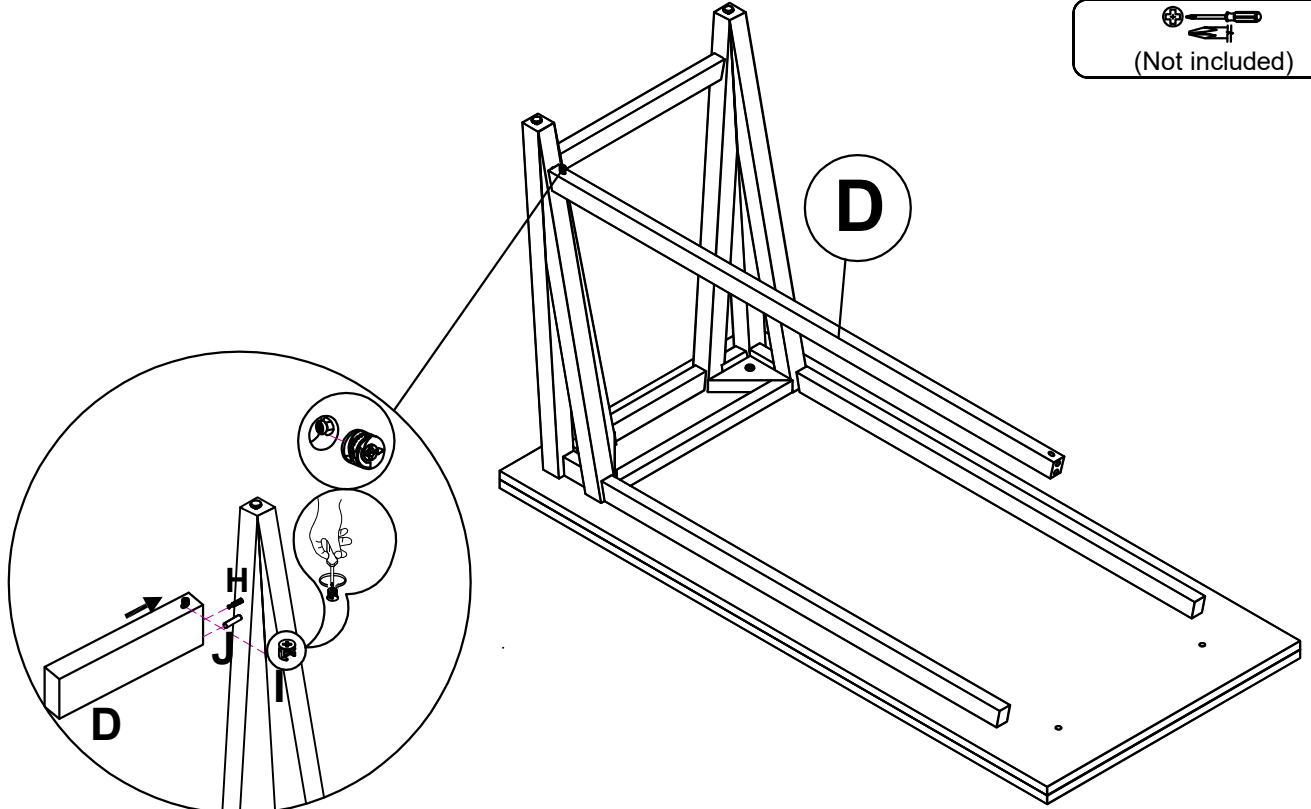
Step 02

H		01
J		01
 (Not included)		






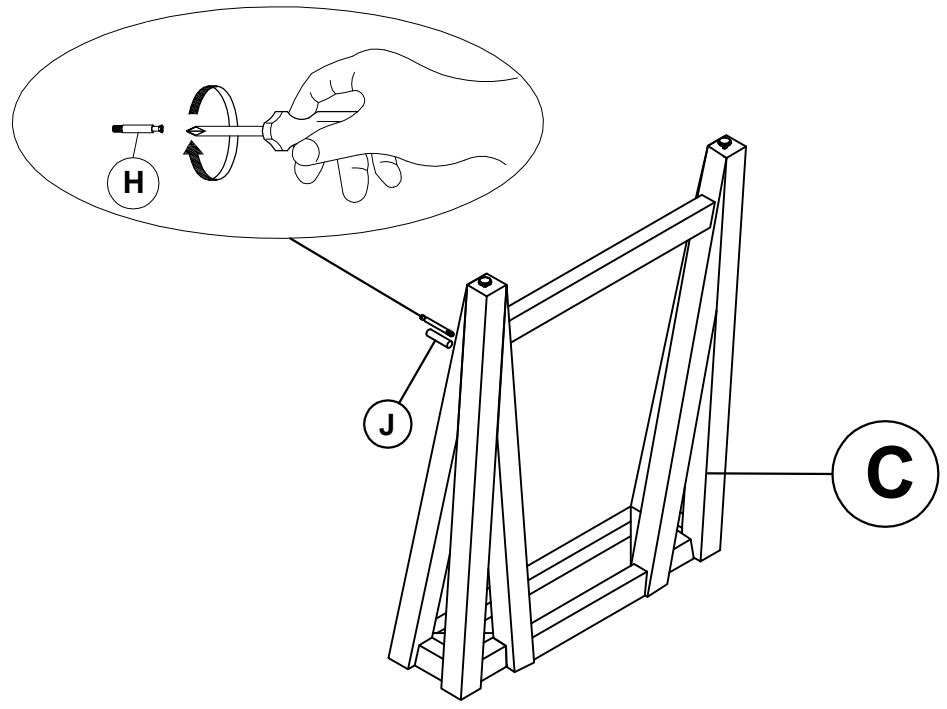
Step 03

- I  01
- (Not included)  01





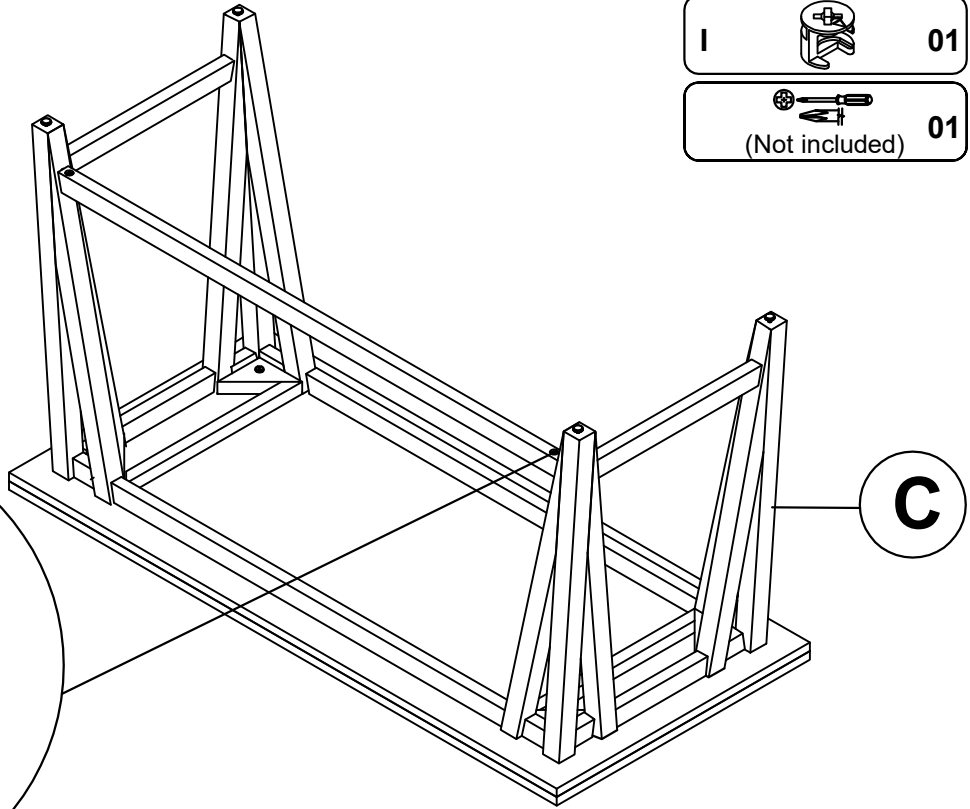
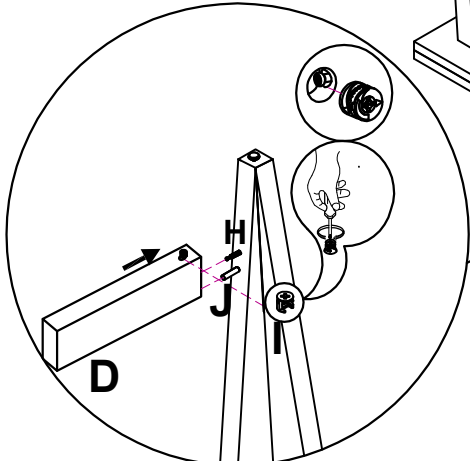
Step 04

- H  01
- J  01
- (Not included) 






Step 05

- I  01
- (Not included)  01



Step 06

- E  02
M6x40MM BOLT
- F  02
- G  01

