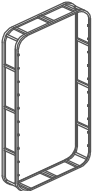


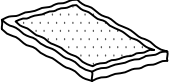








# ASSEMBLY INSTRUCTION

NO	PARTLIST	QTY
1	 METAL FRAME	1PC

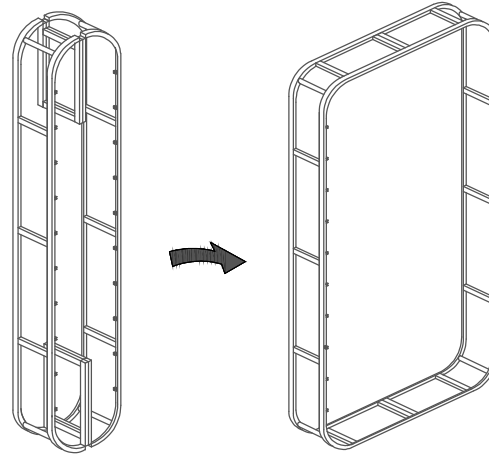
2	 CENTER SUPPORT	1PC
---	--	-----

3	 METAL SLAT	10PCS
---	--	-------

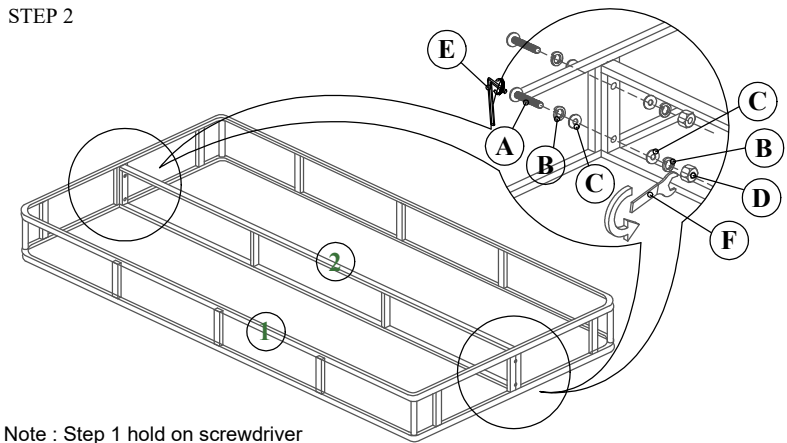
4	 SLIP COVER	1PC
---	---	-----

ITEM	HARDWARE	QTY
A	 JCBC SCREW M6 x 35MM	4PCS
B	 SPRING WASHER M6 x 12MM	8PCS
C	 FLAT WASHER M6 x 19MM	8PCS
D	 HEX NUT M6 x 19MM	4PCS
E	 L-KEY M4 x 65MM	1PC
F	 WRENCH	1PC

STEP 1

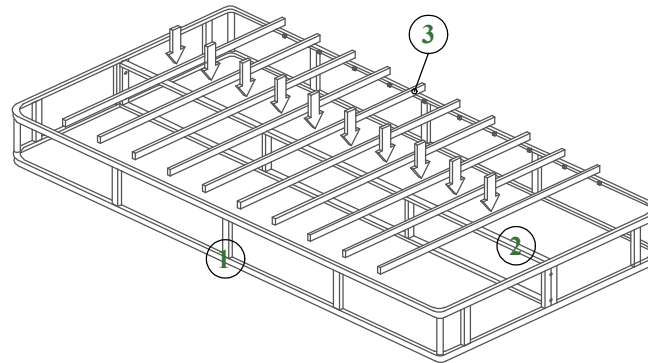


STEP 2

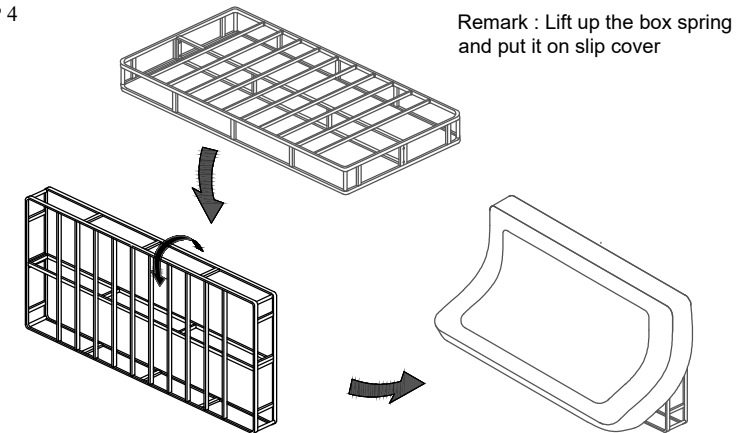


Note : Step 1 hold on screwdriver

STEP 3

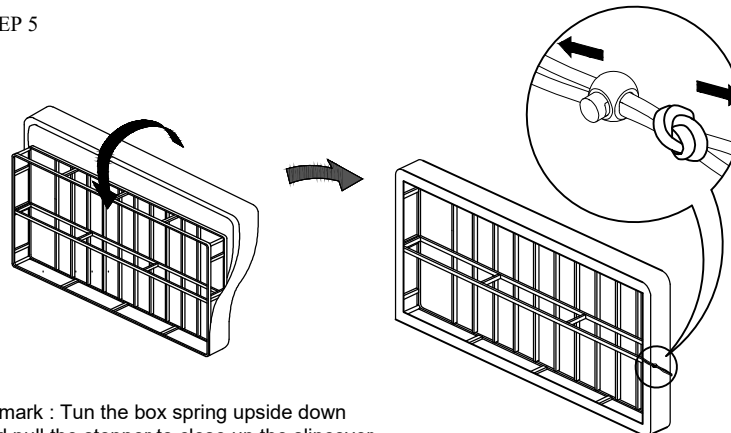


STEP 4



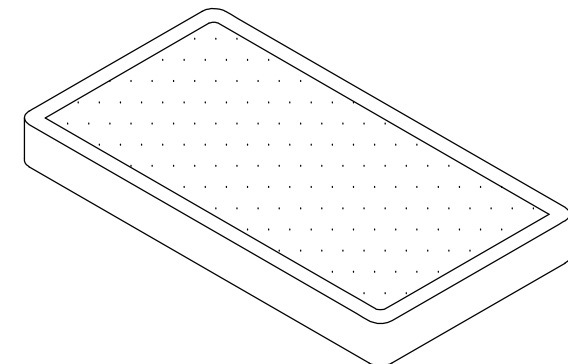
Remark : Lift up the box spring and put it on slip cover

STEP 5



Remark : Turn the box spring upside down and pull the stopper to close up the slipcover

STEP 6



**ASSEMBLY COMPLETED**