

ASSEMBLY INSTRUCTION









Armless Chair



Legs and hardware are stored in the box, please take out for assembly.

NOTE: Do not use power tools for assembly. Power tools increase the risk of over tightening which lead to splitting or cracking the wood.

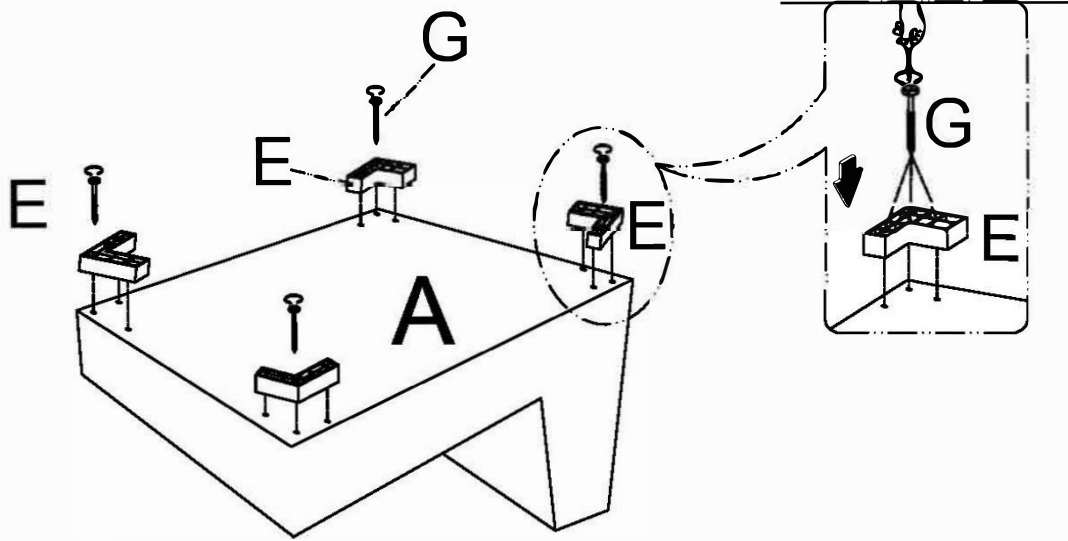
CHAIR COMPONENT LIST

| NO | DRAWING | QTY | DESCIPTION |
|----|---|-----|---------------------------------------|
| A |  | 1 | SEAT |
| B |  | 1 | SEAT CUSHION |
| C |  | 1 | HEADREST |
| D |  | 1 | BACK CUSHION |
| E |  | 4 | PLASTIC LEG |
| F |  | 2 | CONNECTOR |
| G |  | 12 | SCREW #4x45mm |
| X |  | 1 | RECTANGULAR PILLOW (Dim 25" X 14") |

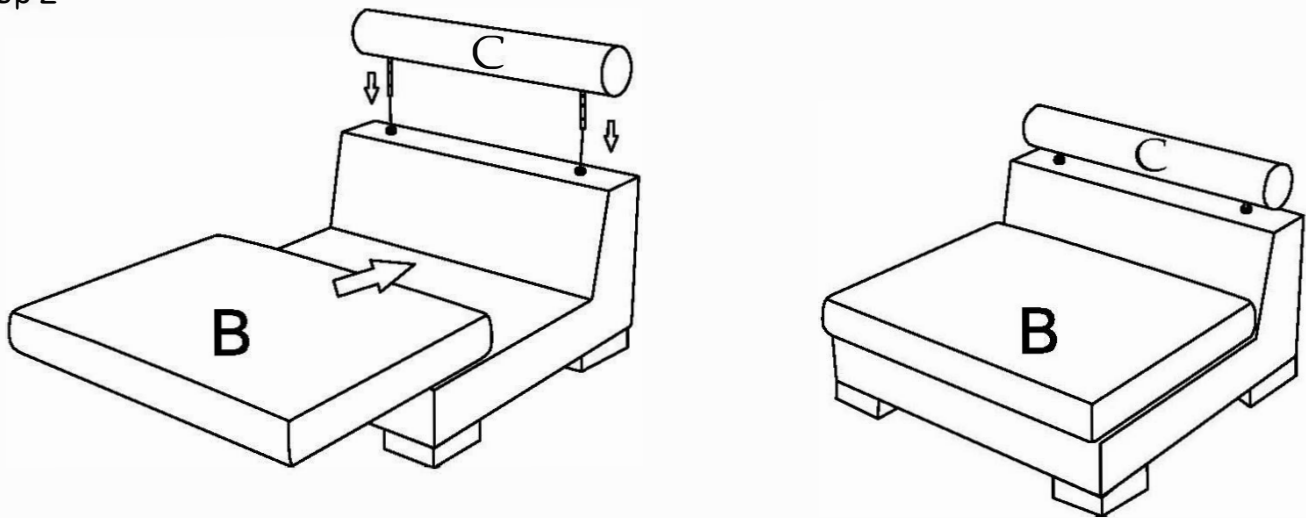
ASSEMBLY INSTRUCTION

Armless Chair

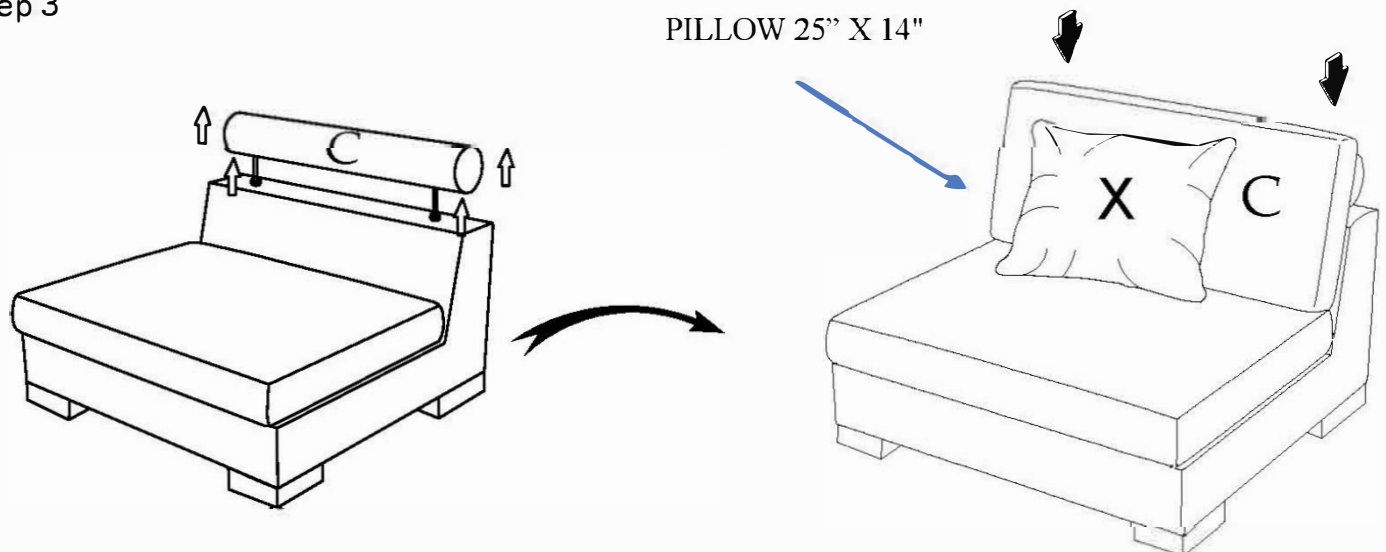
Step 1



Step 2

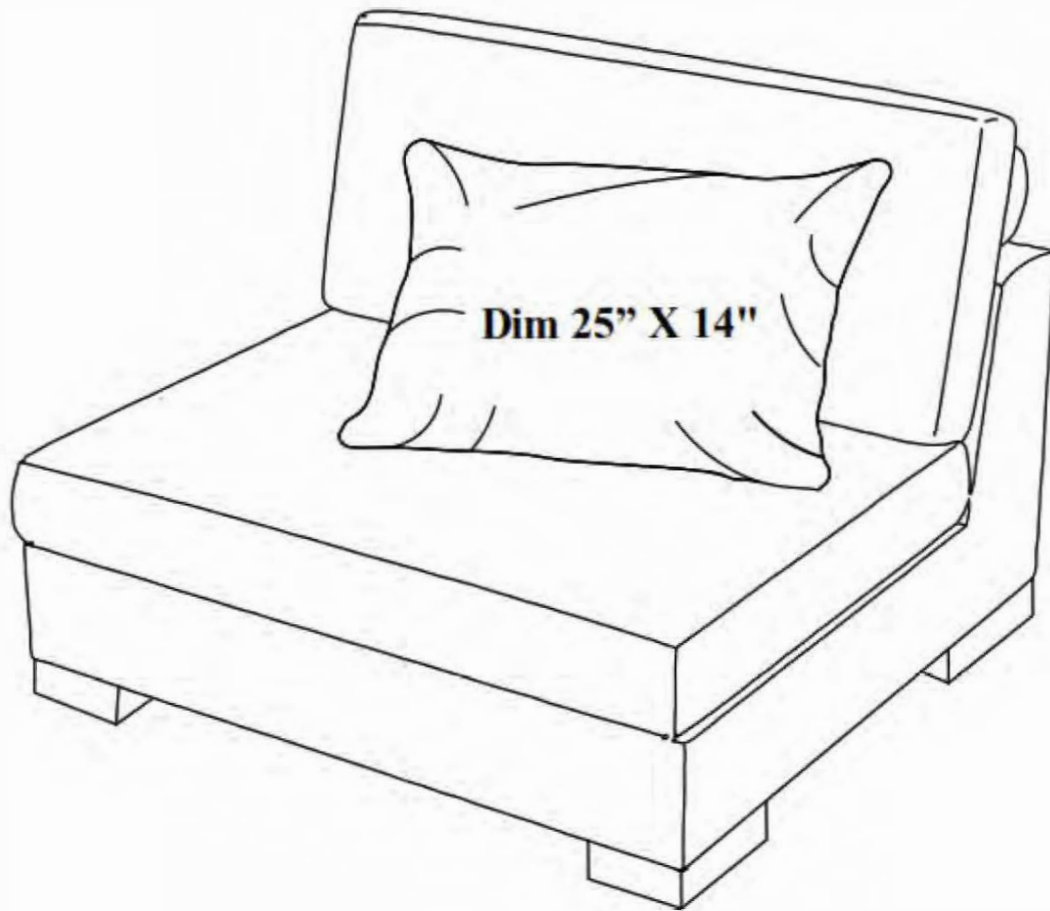


Step 3



ASSEMBLY INSTRUCTION

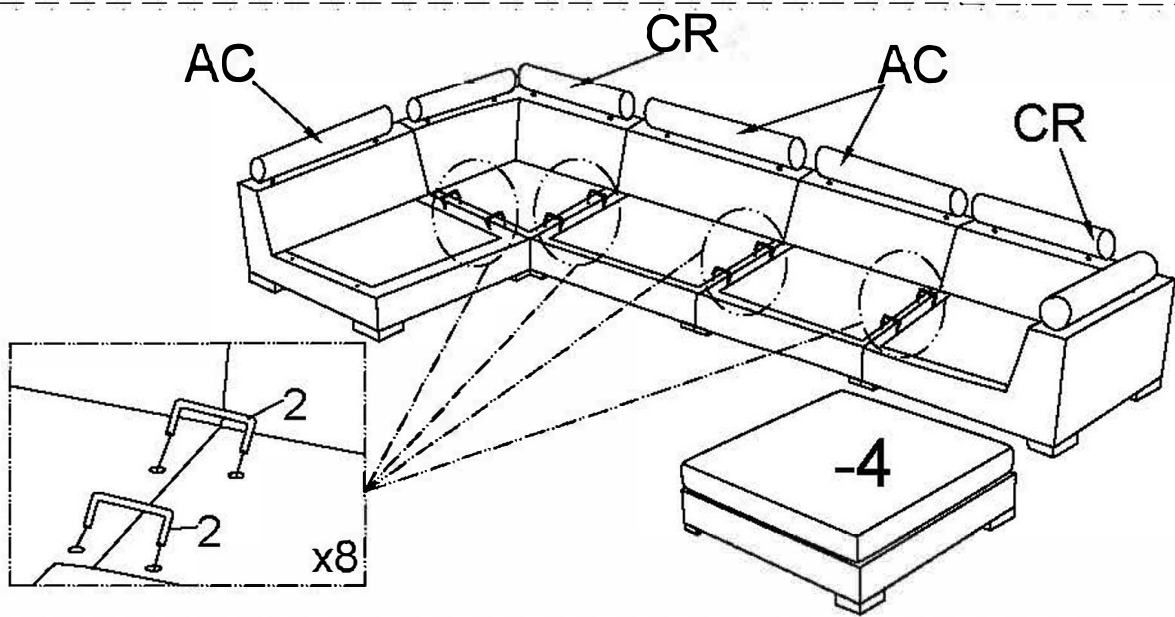
Armless Chair



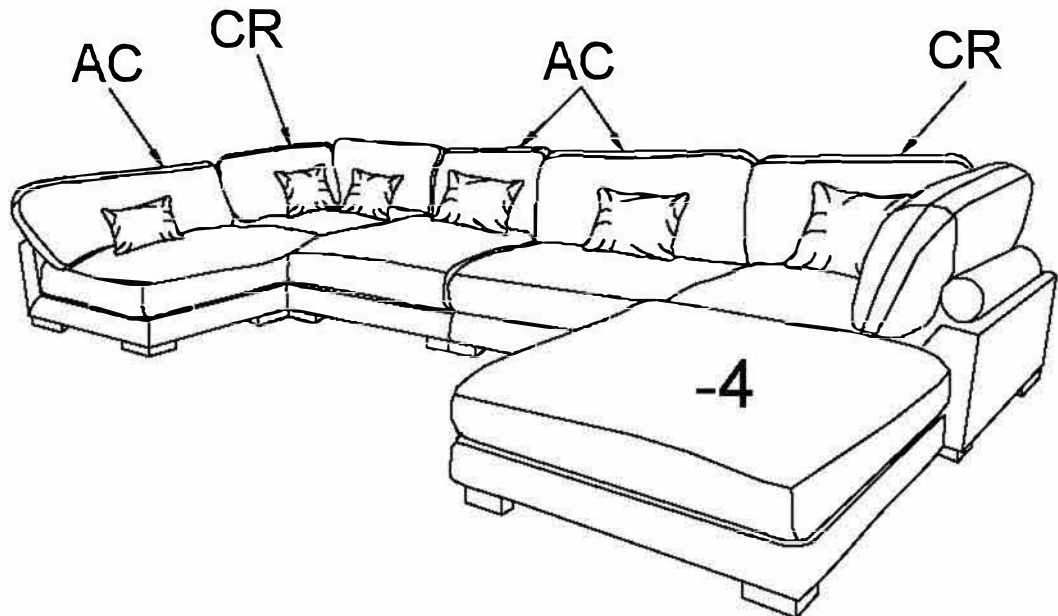
ASSEMBLY INSTRUCTION

Armless Chair

STEP 1



STEP 2



CARE INSTRUCTIONS FOR CORDUROY UPHOLSTERY FURNITURE :

In order to maintain the original appearance of your corduroy furniture, please follow below care procedures:

- Avoid exposing furniture directly to sunlight or heating and air conditioning outlets. Sunlight and / or exposure to heating and air conditioning outlets will fade/damage corduroy. Do not place your upholstered furniture too close to windows, radiators, or vents, and be sure to use window treatments to block the sun's rays
- Vacuum or wipe with a soft cloth regularly to remove dust.
- Hardware may loosen over time. Periodically check to make sure all connections are tight. Re-tighten if necessary.



For items use on wooden floor, hard surfaces or carpets, it is recommended to install protective pads under all legs and supports to avoid/prevent from damages/scratches and discoloration

ASSEMBLY INSTRUCTION

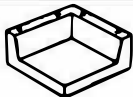








Corner Seat



Legs and hardware are stored in the box, please take out for assembly.

NOTE: Do not use power tools for assembly. Power tools increase the risk of over tightening which lead to splitting or cracking the wood.

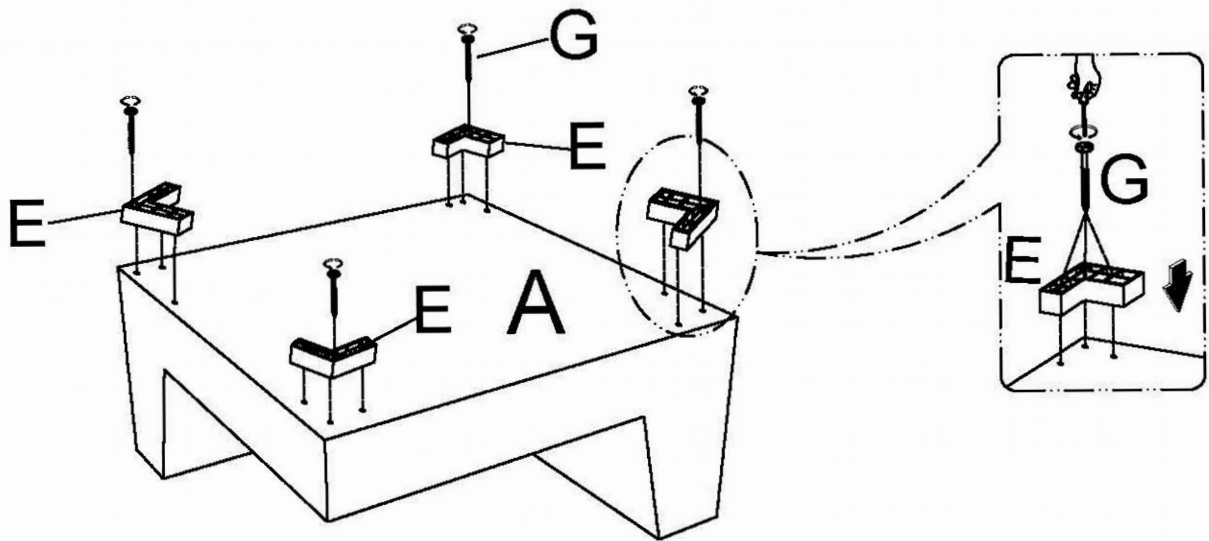
CHAIR COMPONENT LIST

| NO | DRAWING | QTY | DESCIPTION |
|-----|---|-----|-------------------------------|
| A |  | 1 | SEAT |
| B |  | 1 | SEAT CUSHION |
| C |  | 2 | HEADREST |
| D-L |  | 1 | L LSF BACK CUSHION |
| D-R |  | 1 | R RSF BACK CUSHION |
| E |  | 4 | PLASTIC LEG |
| F |  | 2 | CONNECTOR |
| G |  | 12 | SCREW #4X45MM |
| X |  | 2 | SQUARE PILLOW (Dim 20" X 20") |

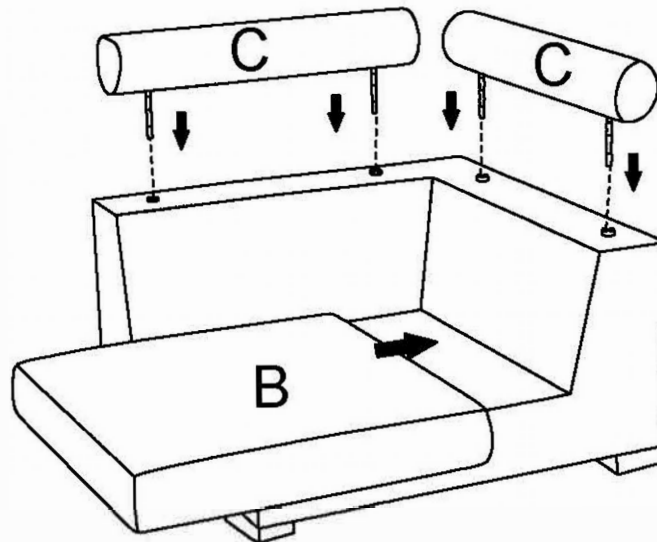
ASSEMBLY INSTRUCTION

Corner Seat

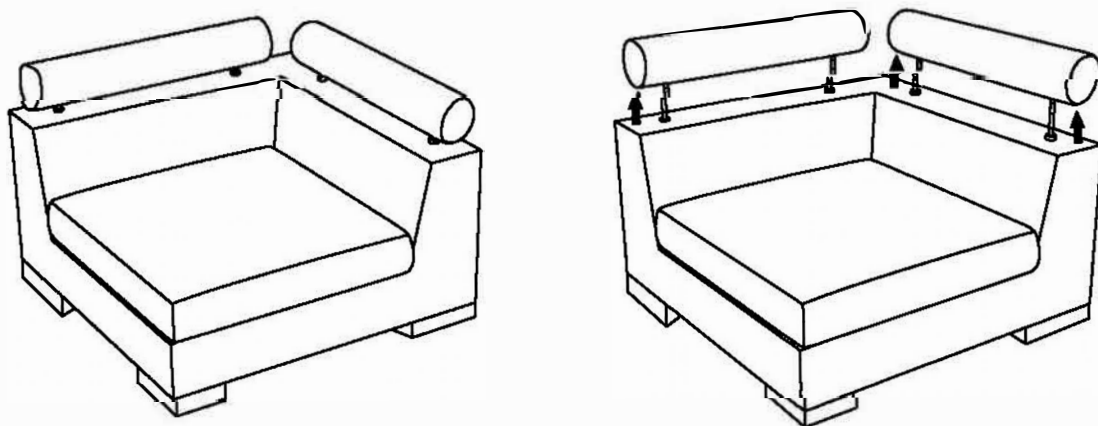
Step 1



Step 2

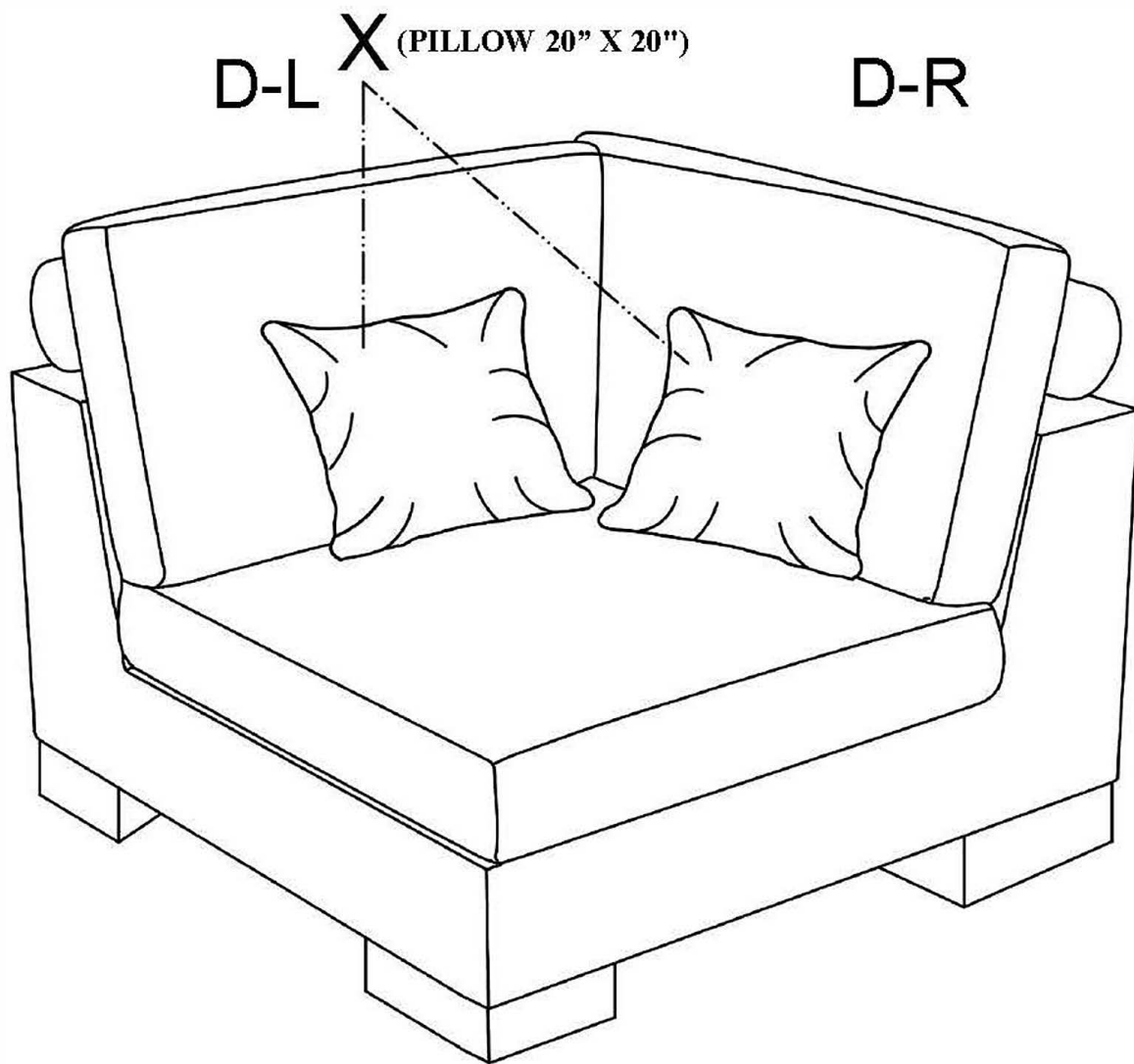


Step 3



ASSEMBLY INSTRUCTION

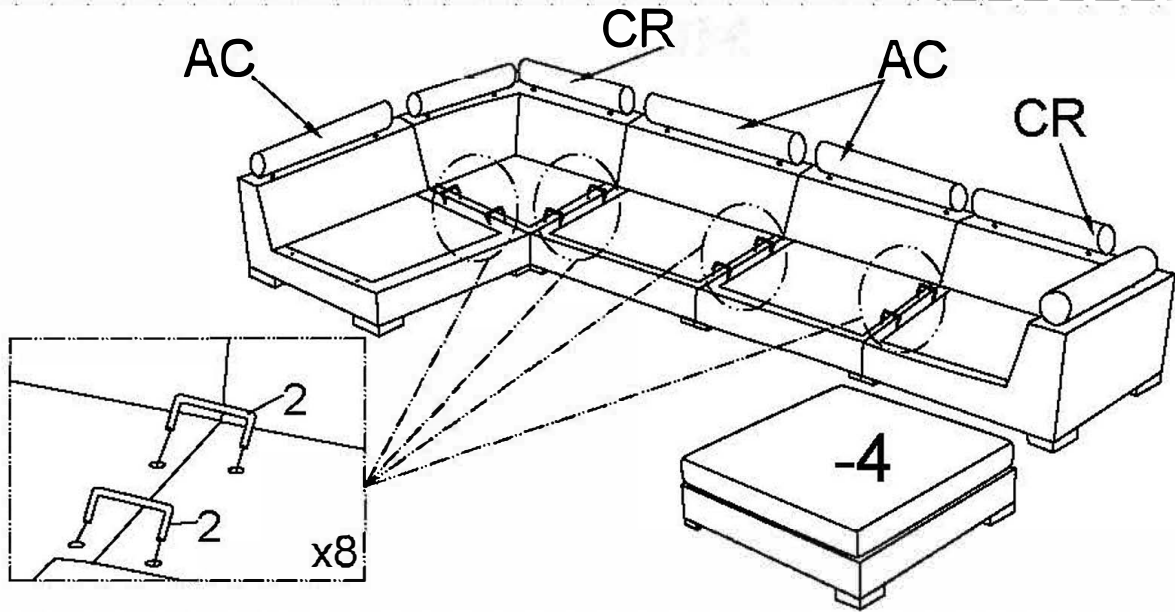
Corner Seat



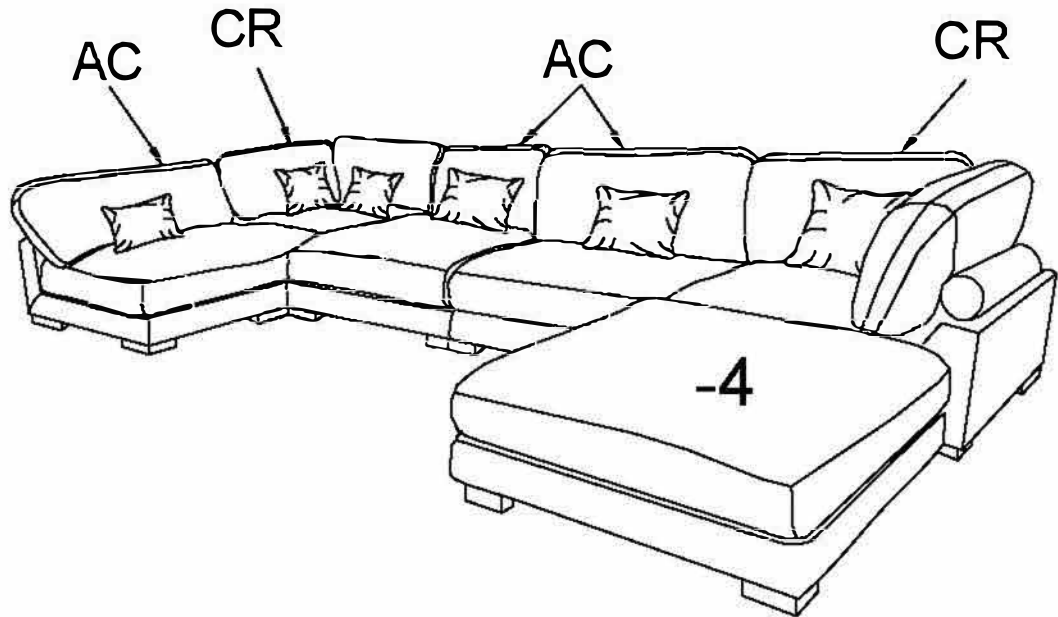
ASSEMBLY INSTRUCTION

Corner Seat

STEP 1



STEP 2



CARE INSTRUCTIONS FOR CORDUROY UPHOLSTERY FURNITURE :

In order to maintain the original appearance of your corduroy furniture, please follow below care procedures:

- Avoid exposing furniture directly to sunlight or heating and air conditioning outlets. Sunlight and / or exposure to heating and air conditioning outlets will fade/damage corduroy. Do not place your upholstered furniture too close to windows, radiators, or vents, and be sure to use window treatments to block the sun's rays.
- Vacuum or wipe with a soft cloth regularly to remove dust.
- Hardware may loosen over time. Periodically check to make sure all connection are tight, Re-tighten if necessary.

 For items use on wooden floor, hard surfaces or carpets, it is recommended to install protective pads under all legs and supports to avoid/prevent from damages/scratches and discoloration.

ASSEMBLY INSTRUCTION

Ottoman



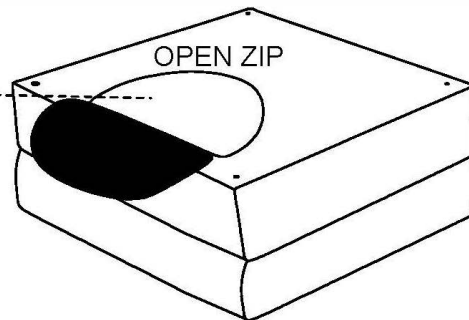
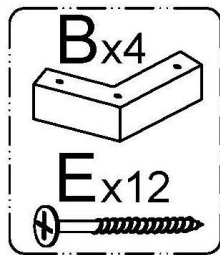
Legs and hardware are stored in the box, please take out for assembly.

NOTE: Do not use power tools for assembly. Power tools increase the risk of over tightening which lead to splitting or cracking the wood.

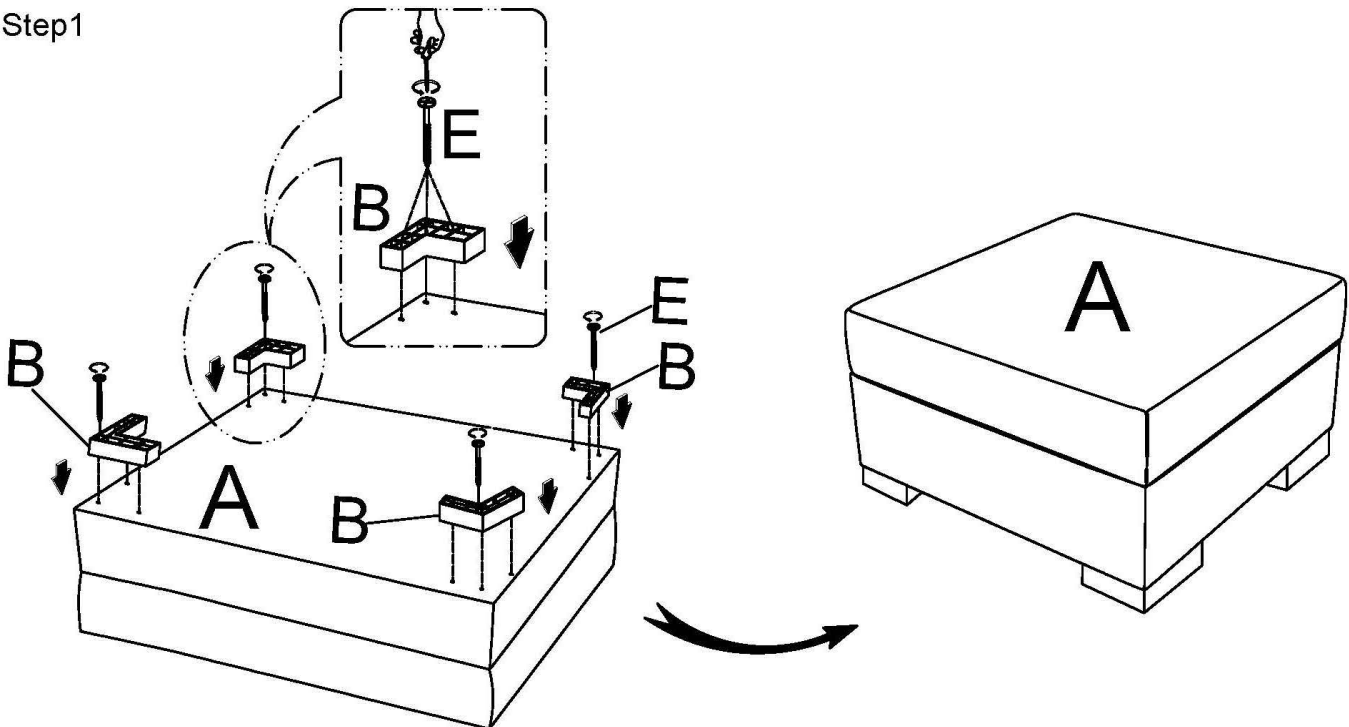
CHAIR COMPONENT LIST

| NO | DRAWING | QTY | DESCIPTION |
|----|---|-----|-----------------|
| A |  | 1 | SEAT |
| B |  | 4 | PLASTIC LEG |
| E |  | 12 | SCREW #4 X 45MM |

NOTE

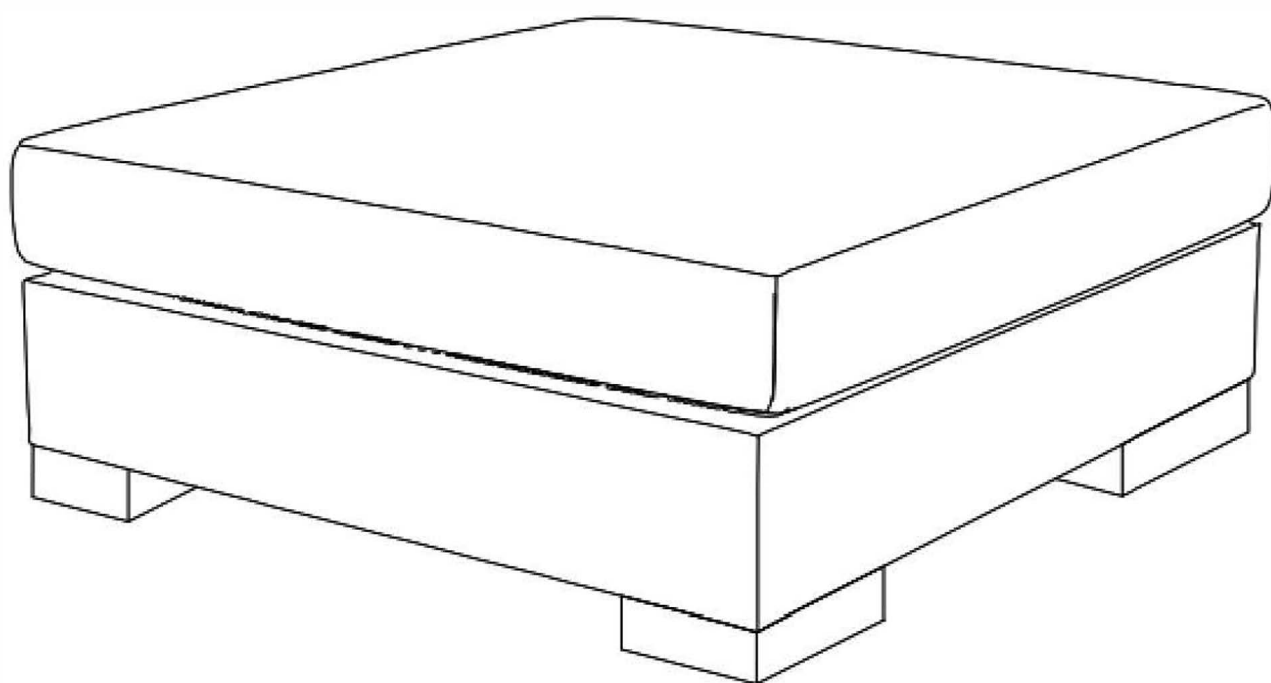


Step1



ASSEMBLY INSTRUCTION

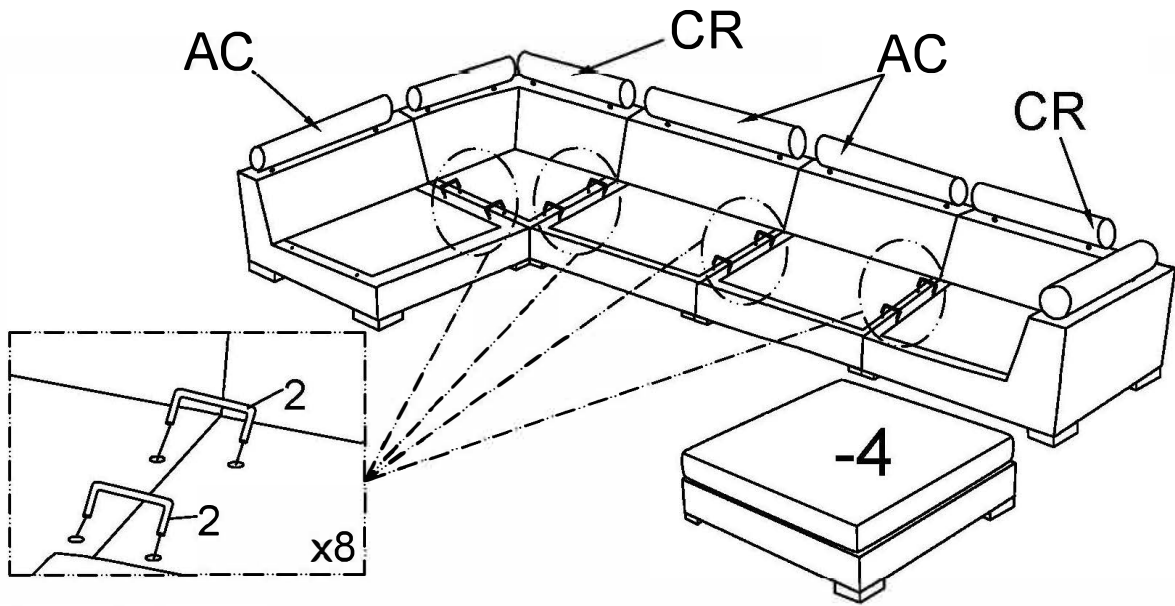
Ottoman



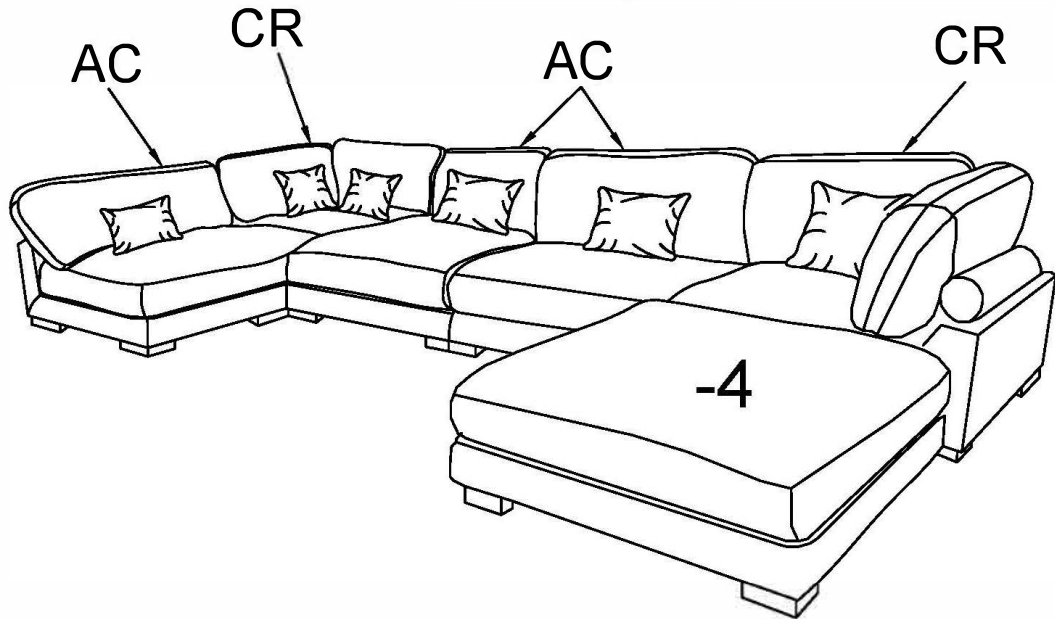
ASSEMBLY INSTRUCTION

Ottoman

STEP 1



STEP 2



CARE INSTRUCTIONS FOR CORDUROY UPHOLSTERY FURNITURE :

In order to maintain the original appearance of your corduroy furniture, please follow below care procedures:

- Avoid exposing furniture directly to sunlight or heating and air conditioning outlets. Sunlight and / or exposure to heating and air conditioning outlets will fade/damage corduroy. Do not place your upholstered furniture too close to windows, radiators, or vents, and be sure to use window treatments to block the sun's rays.
- Vacuum or wipe with a soft cloth regularly to remove dust.
- Hardware may loosen over time. Periodically check to make sure all connections are tight. Re-tighten if necessary.

 For items used on wooden floors, hard surfaces or carpets, it is recommended to install protective pads under all legs and supports to avoid/prevent from damages/scratches and discoloration.