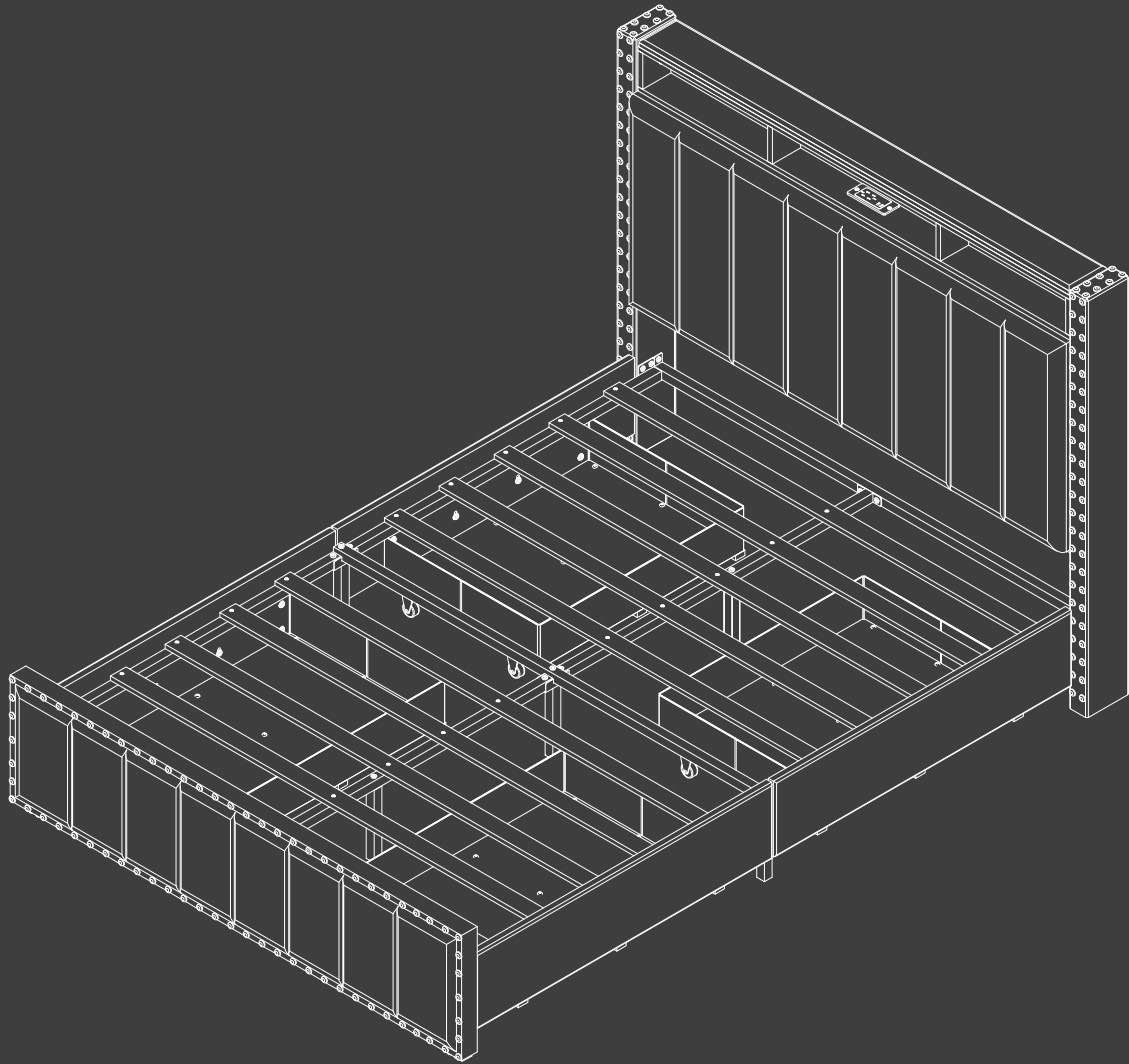


# Full Bed & Queen Bed Instruction Manual

RBC-2D4BC-F/Q



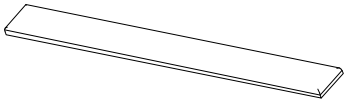
✉ HJ-Customer-Service@outlook.com

☎ (909)637-7665 | (909)637-7593

EST 9:00AM--17:00PM

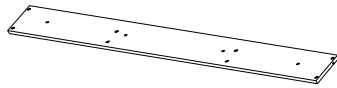
# 1 Component List

1 X1



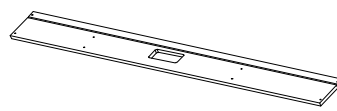
Top Board

2 X1



Shelf Board

3 X1



Shelf Board

4 X2



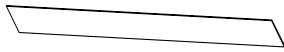
Side Board

5 X2



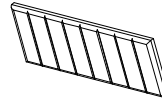
Center Board

6 X1



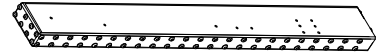
Back Board

7 X1



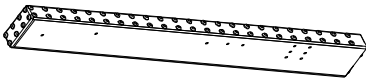
Head Board

8 X1



Head Leg (L)

9 X1



Head Leg (R)

10 X1



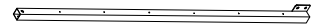
Metal Cross Link

11 X1



Metal Cross Link

12 X1



Metal Cross Link

13 X1



Metal Cross Link

14 X1



Metal Cross Link

15 X1



Metal Cross Link

16 X3



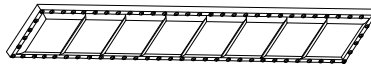
Leg support

17 X1



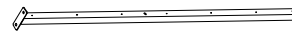
Metal Cross Link

18 X1



Foot Board

19 X1



Metal Cross Link

20 X2



Leg support

21 X1



Metal Cross Link

22 X4



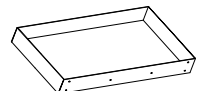
Drawer Board

23 X4



Drawer Bottom Board

24 X4



Drawer Box

**25** X12



Drawer Support

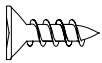
**26** X10



Slats

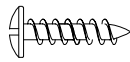
## 2 Supplied Parts and Hardware

**A** X10



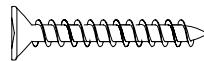
Screw  
M3×12mm

**B** X36



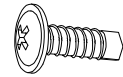
Screw  
M4×20mm

**C** X20



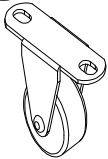
Screw  
M4×35mm

**D** X30



Screw  
M4×25mm

**E** X24



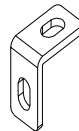
Caster

**F** X4



Bracket L

**G** X4



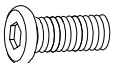
Bracket L

**H** X104



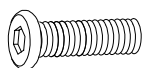
Bolts  
1/4"×15mm

**I** X8



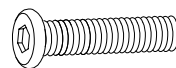
Bolts  
1/4"×25mm

**J** X13



Bolts  
1/4"×40mm

**K** X3



Bolts  
1/4"×55mm

**L** X26



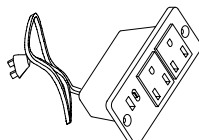
Flats Washer  
Ø16 X Ø6×1mm

**M** X1



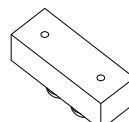
Allen Key  
M4

**N** X1



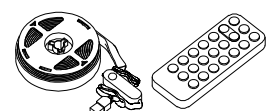
Socket USB

**O** X2



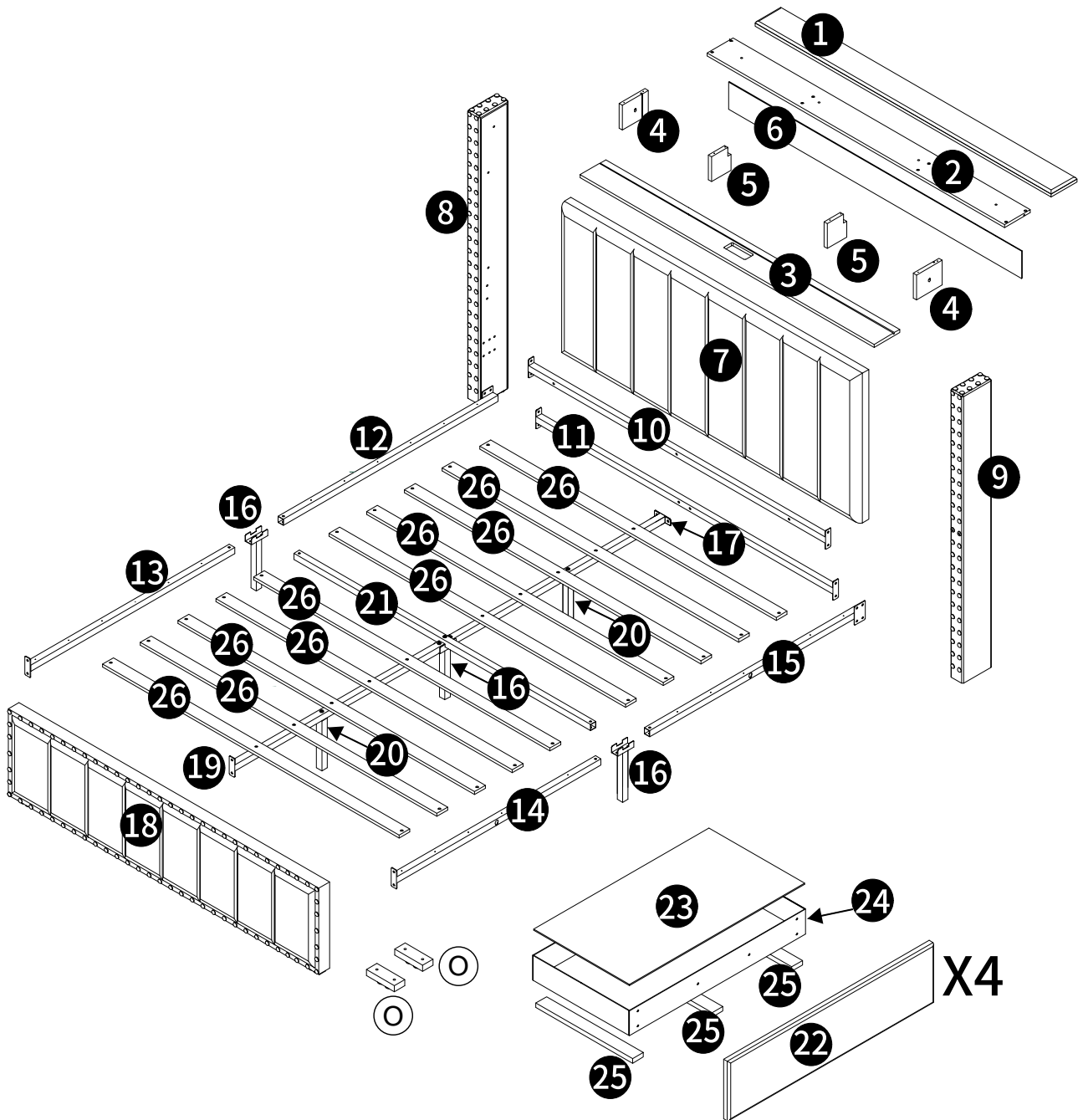
Bottom Leg

**P** X1set

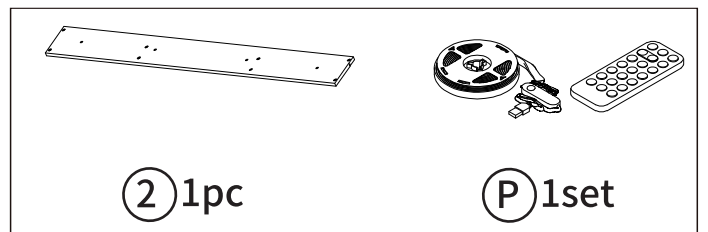
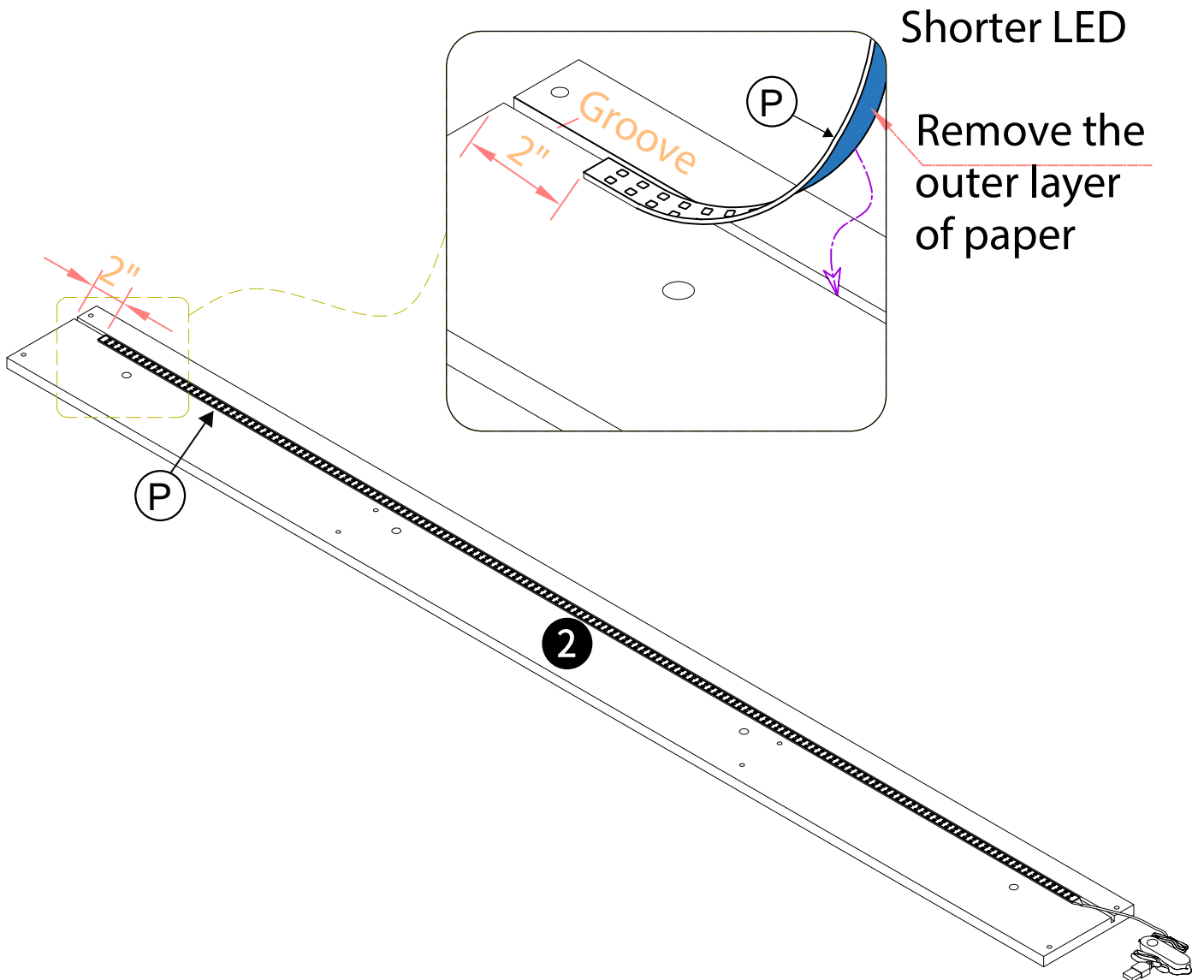


Led

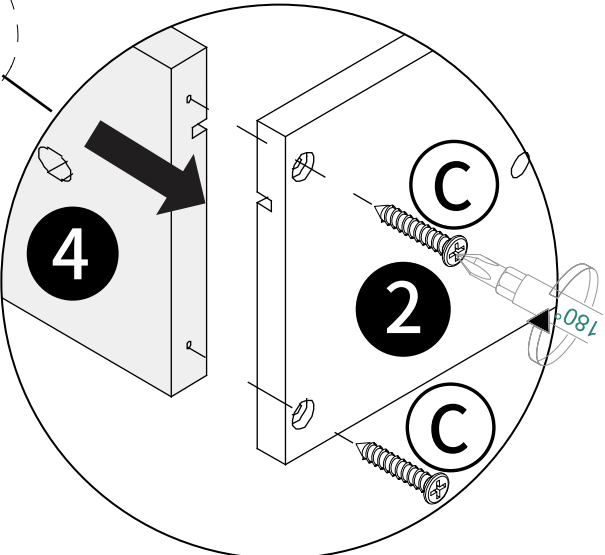
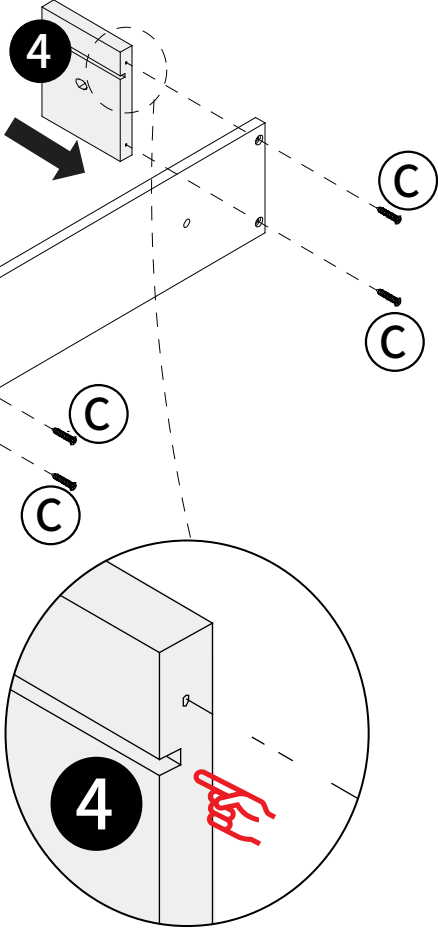
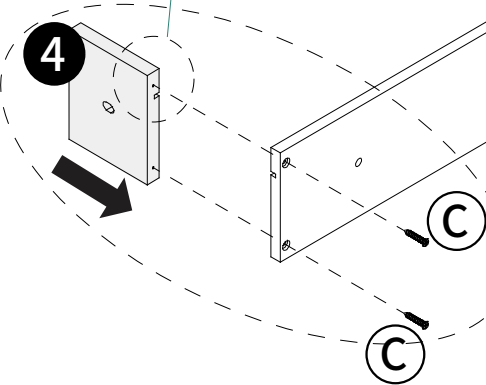
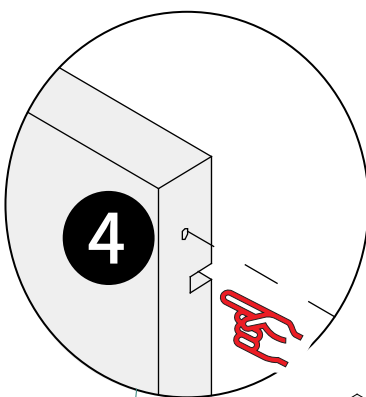
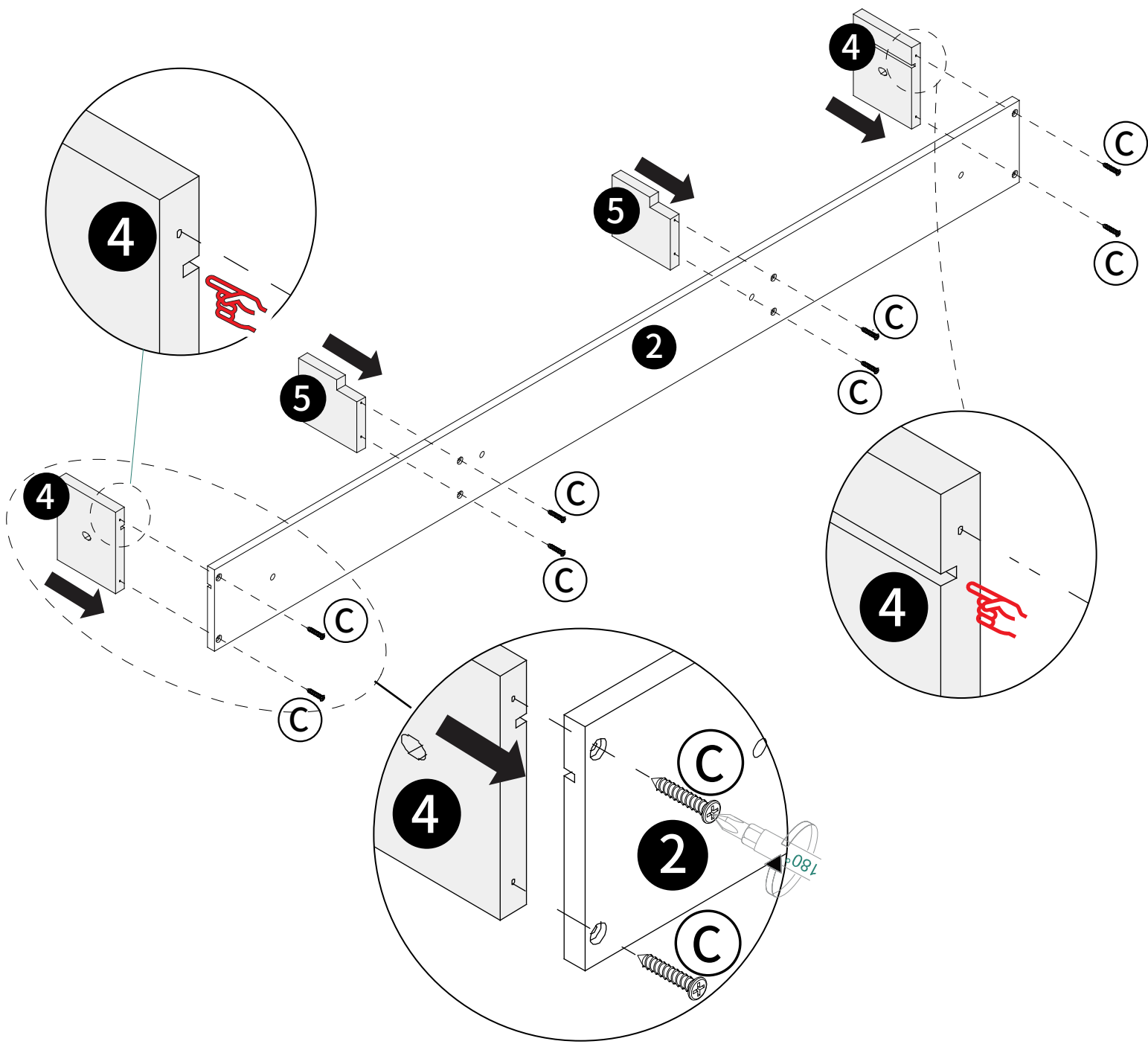
# OVER VIEW

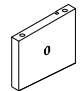
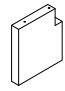
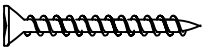


# Step 1

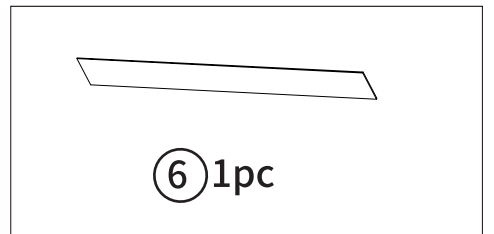
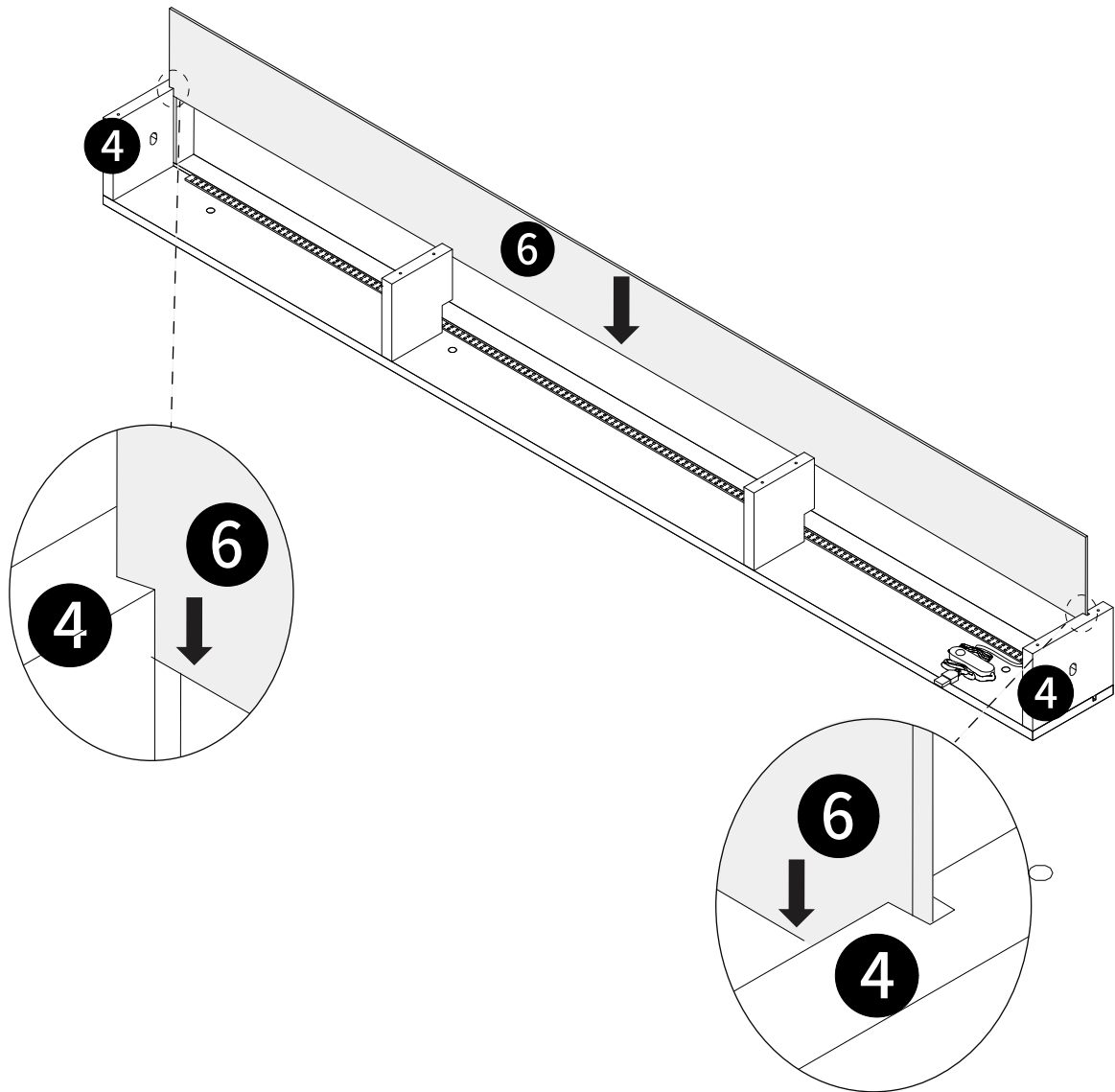


# Step 2

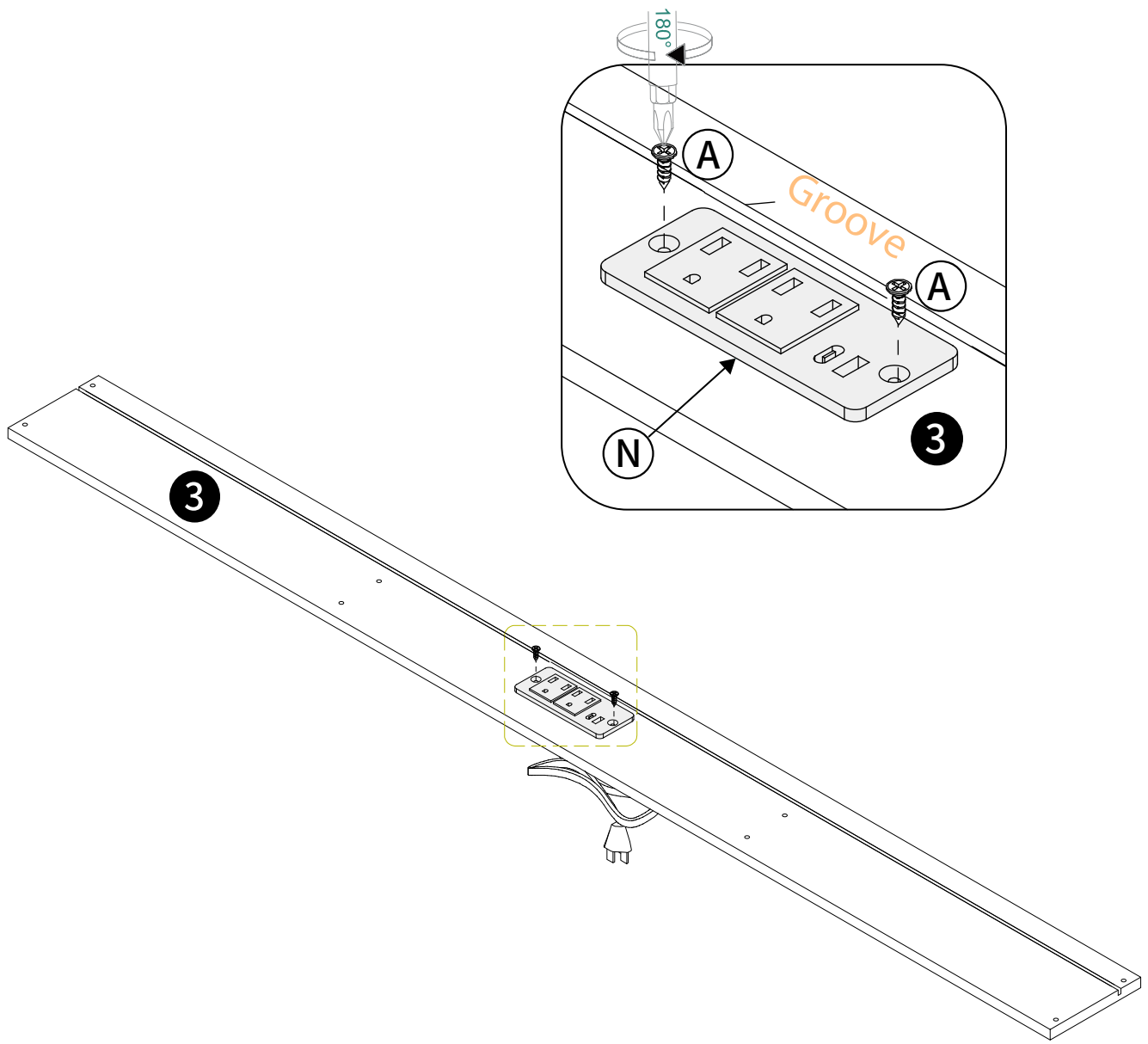


- |   |  |   |
|---|--|---|
|  |  |  |
| ④ 2pcs  | ⑤ 2pcs   | ST4*35mm  |
|   |  | ⓐ 8pcs  |

# Step 3

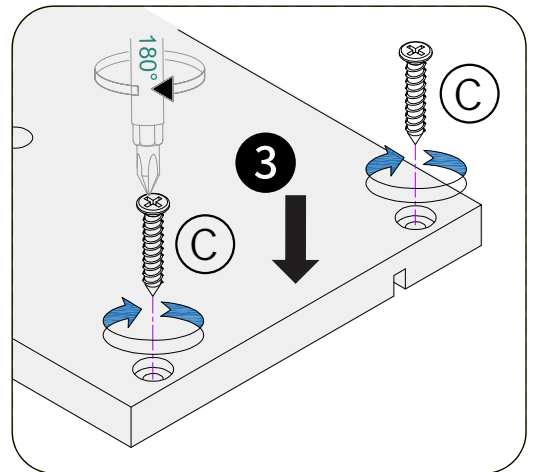
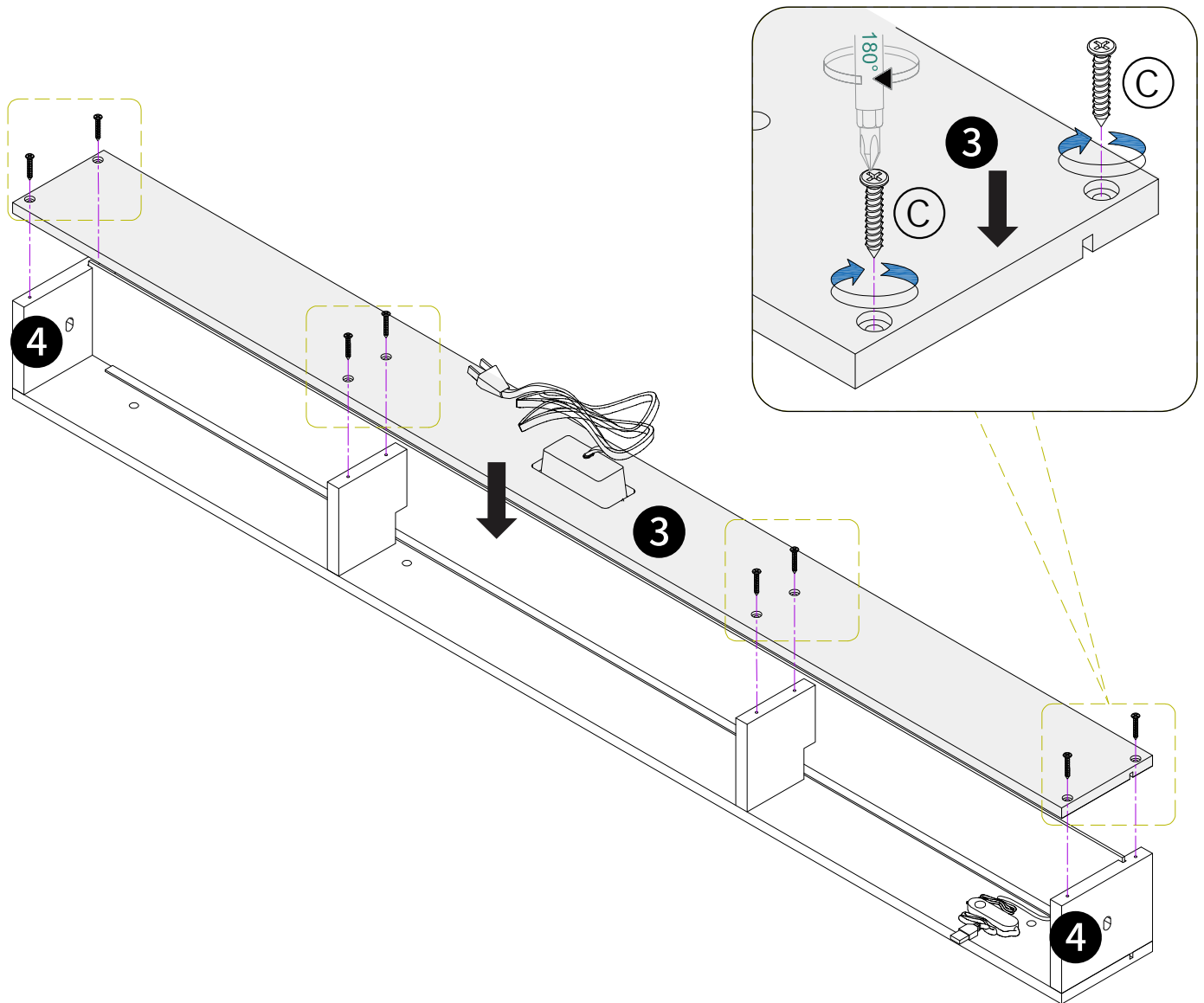


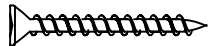
# Step 4



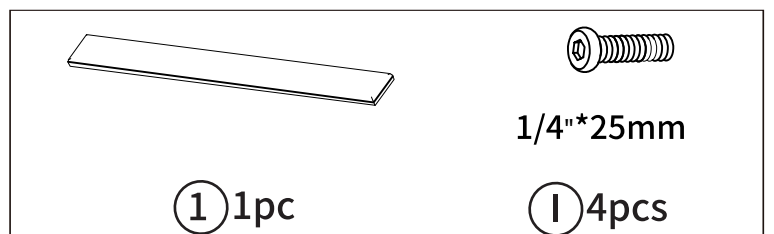
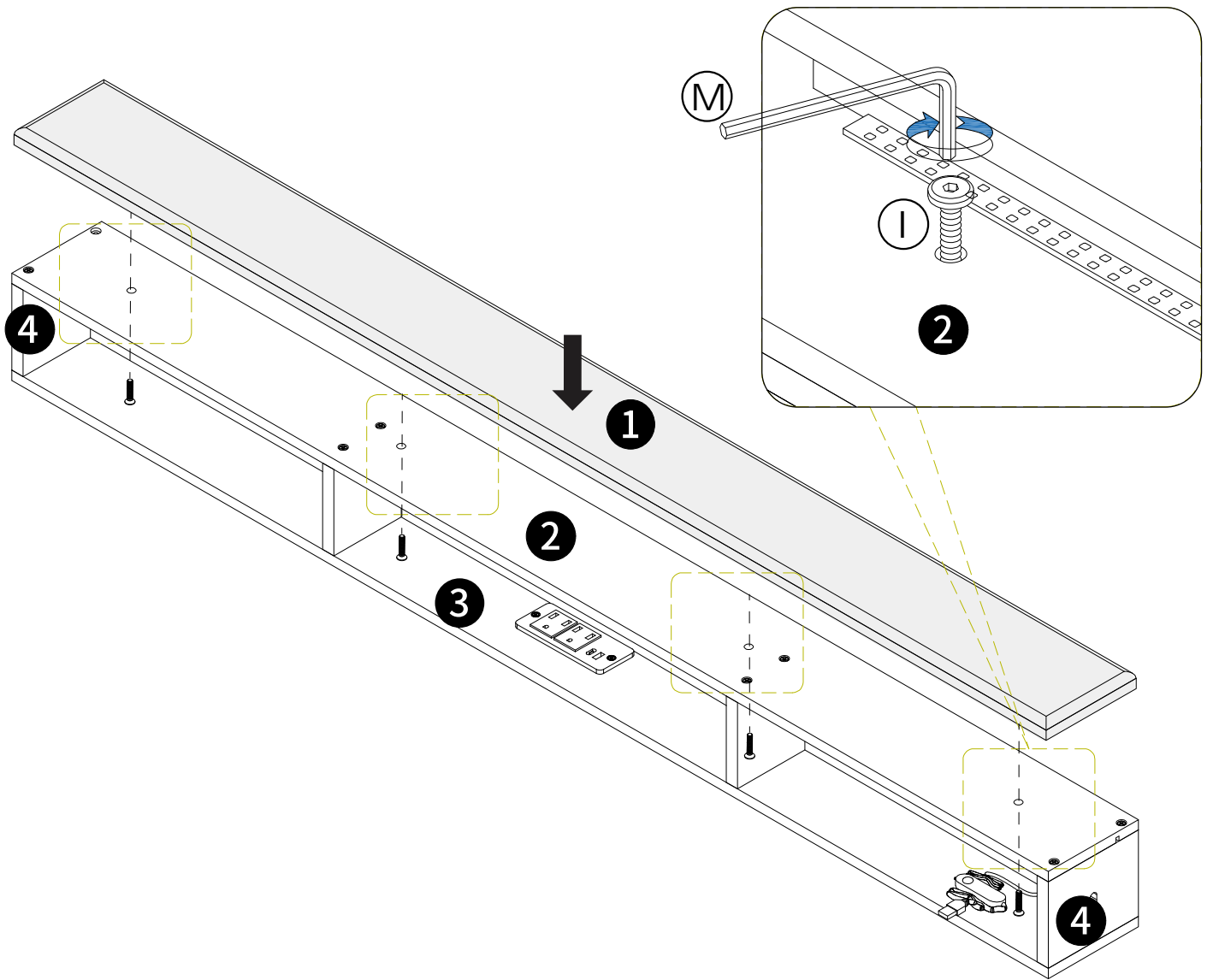
- |           |           |                        |
|-----------|-----------|------------------------|
| <br>③ 1pc | <br>④ 1pc | <br>ST3*12mm<br>⑤ 2pcs |
|-----------|-----------|------------------------|

# Step 5

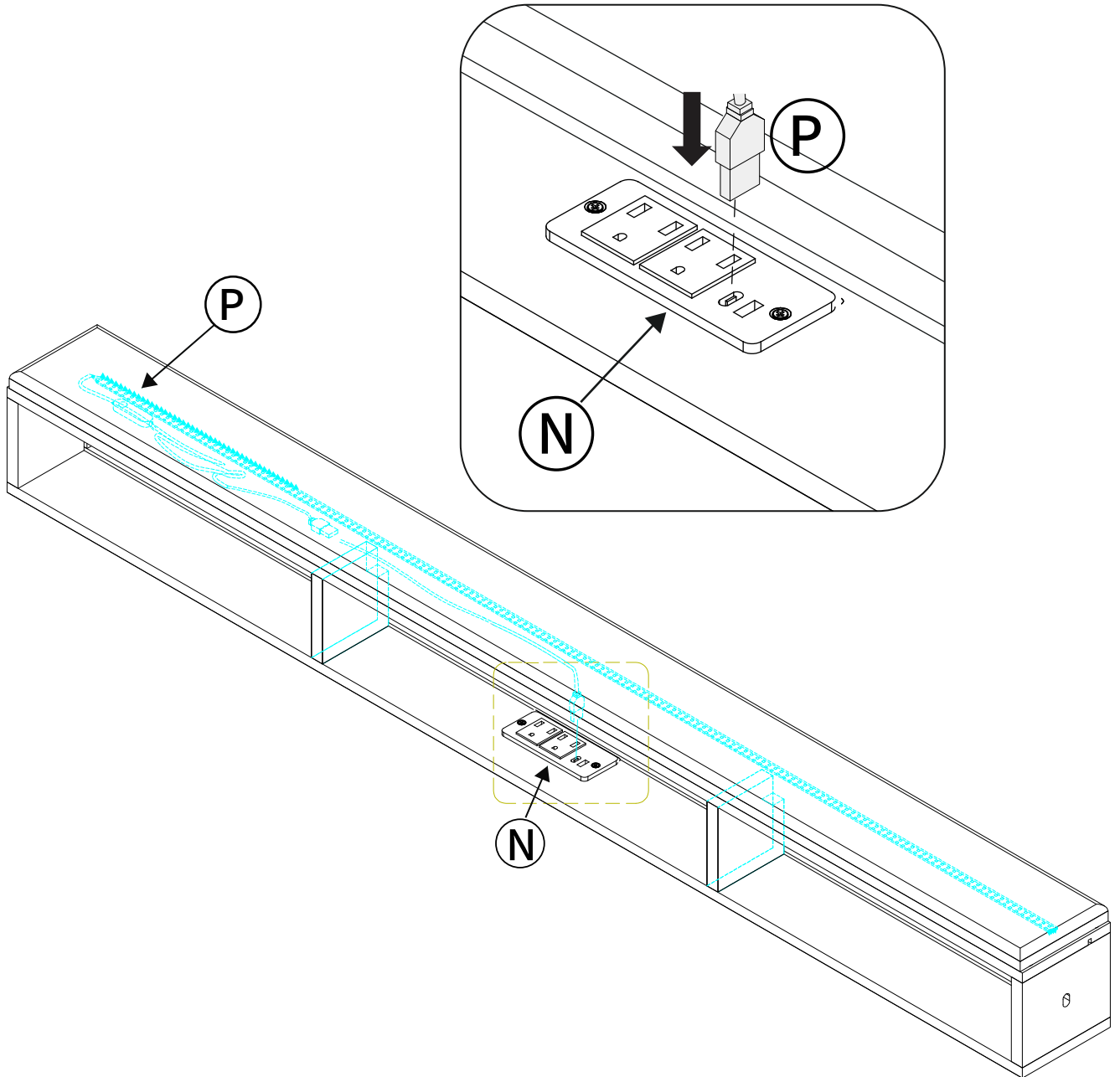


ST4\*35mm  
  
C 8pcs

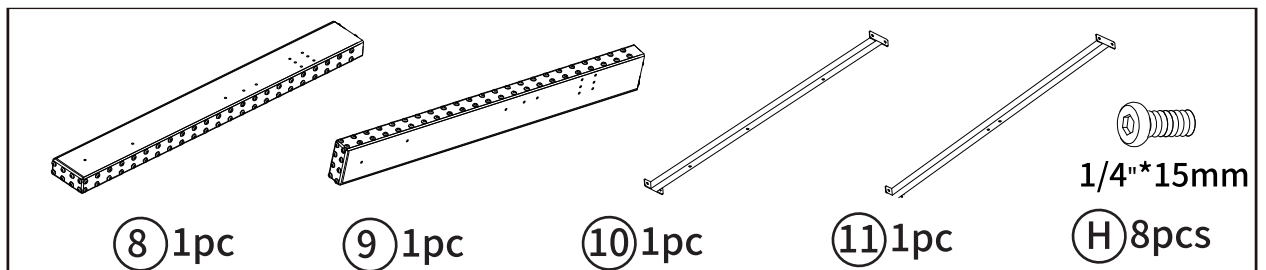
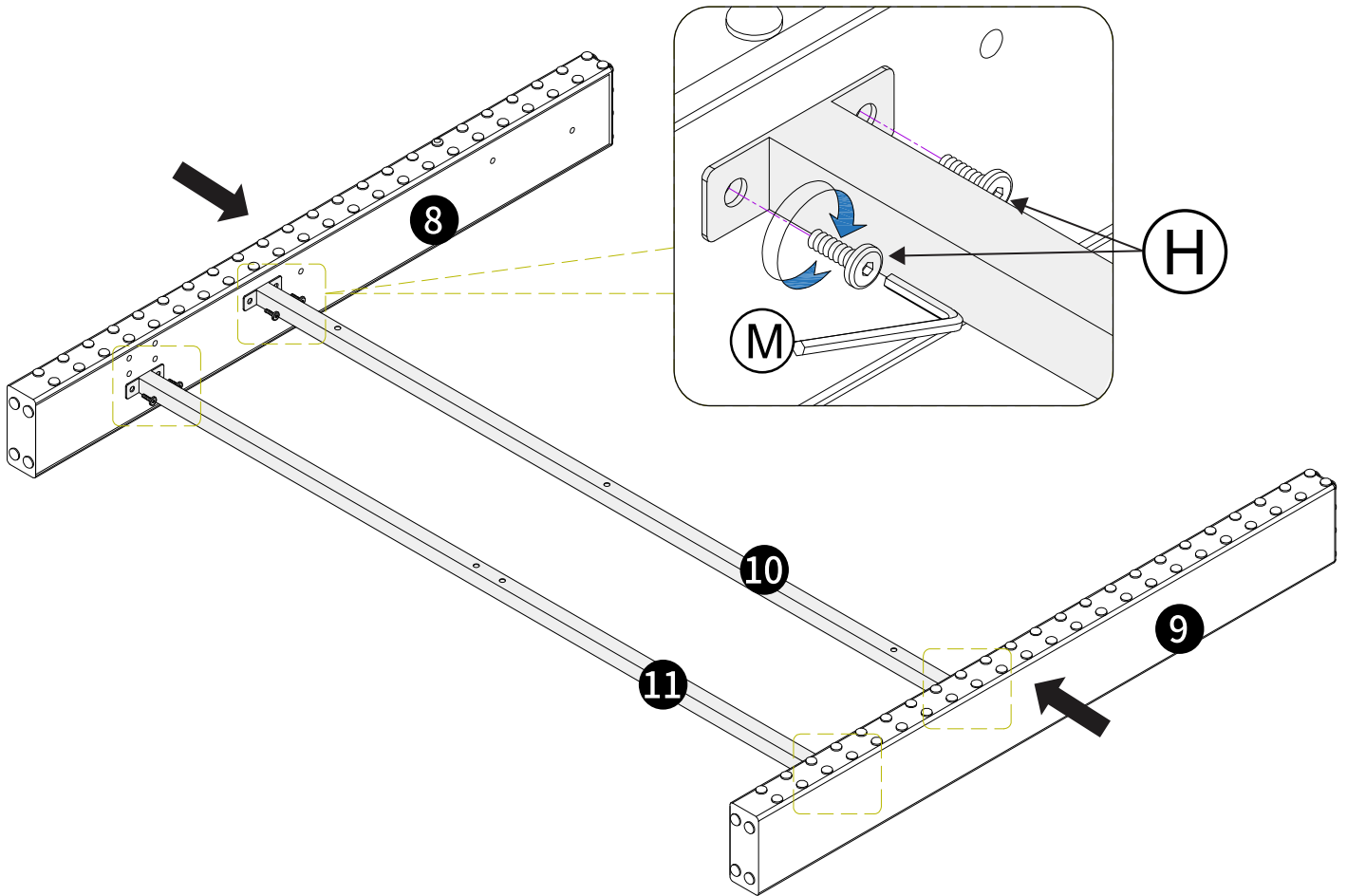
# Step 6



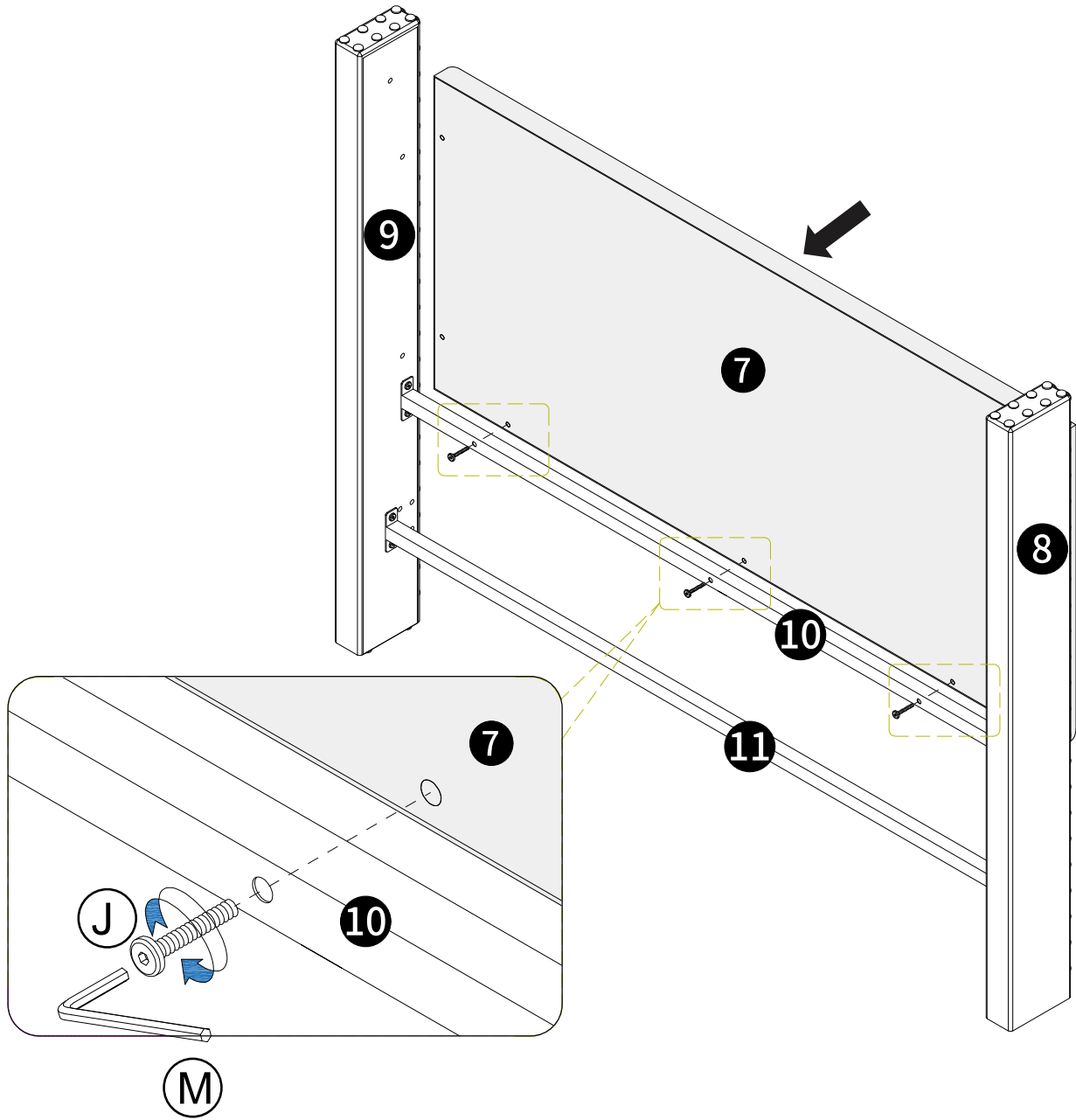
# Step 7

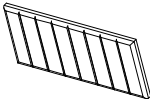



# Step 8

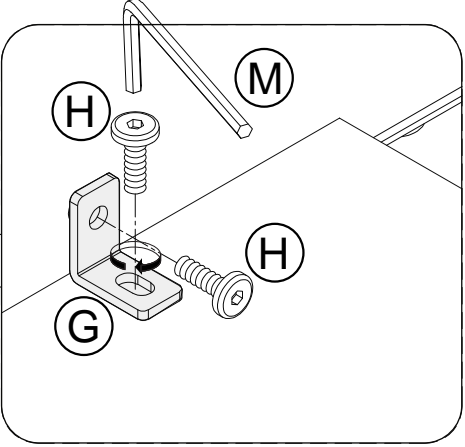
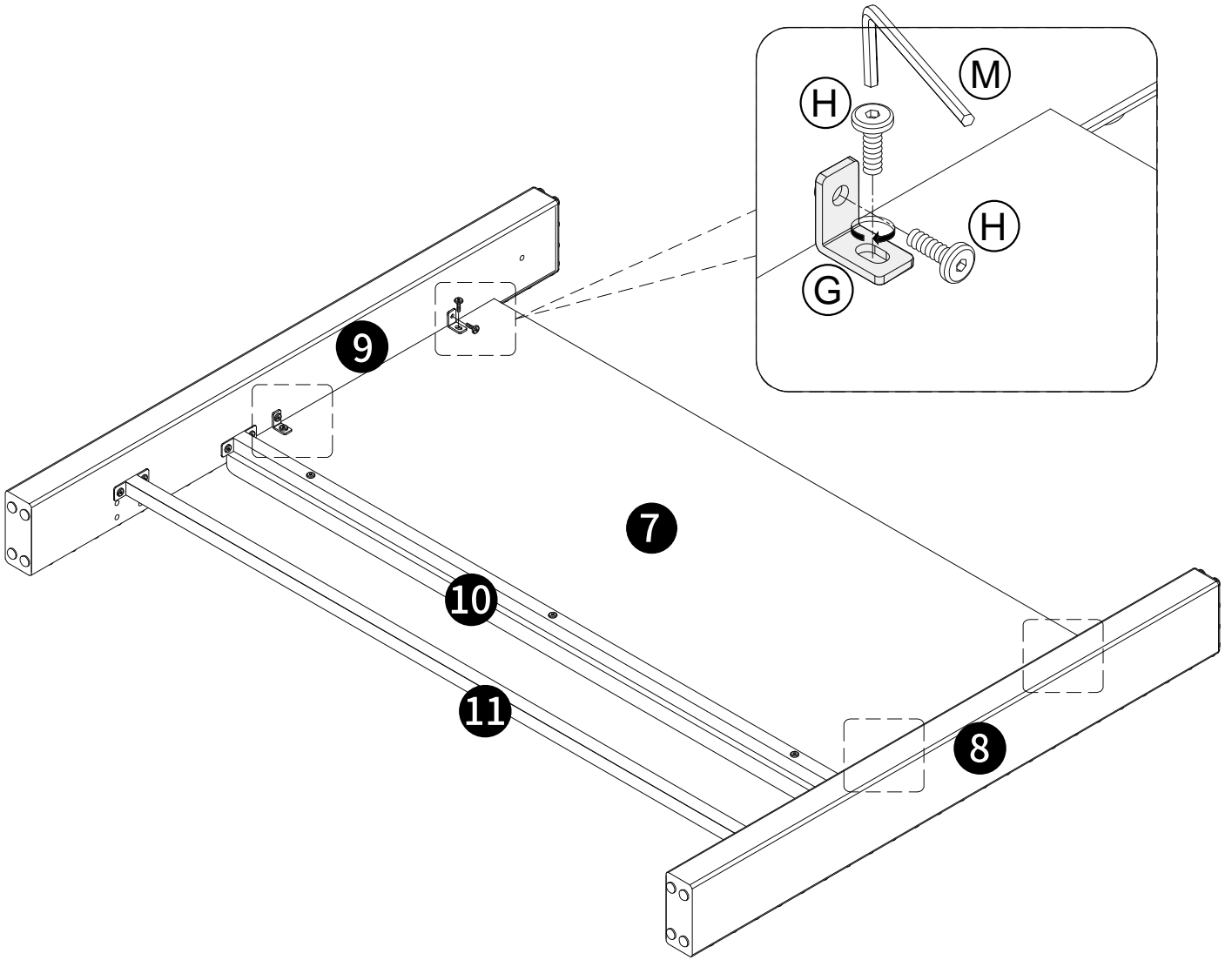


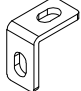
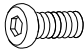
# Step 9



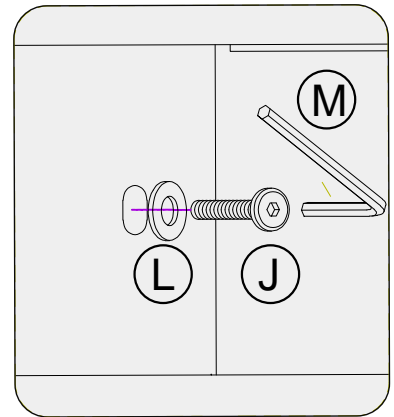
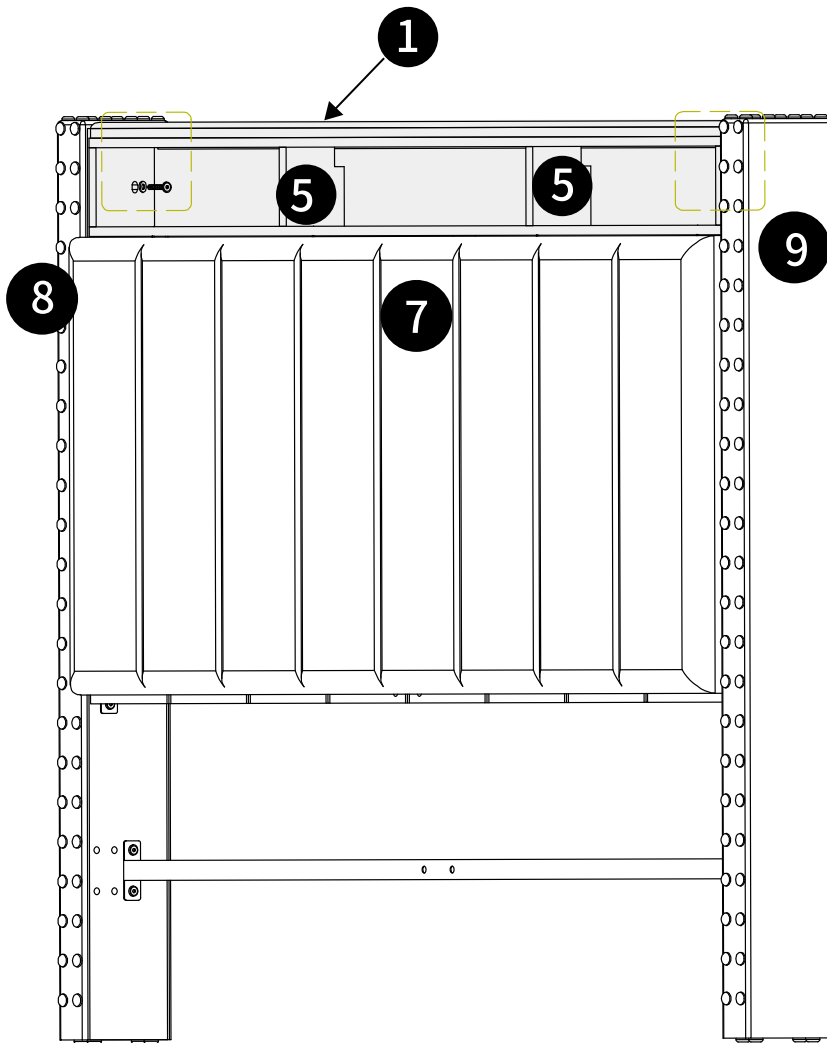
	
⑦ 1pc	1/4" * 40mm
	① J 3pcs





# Step 10



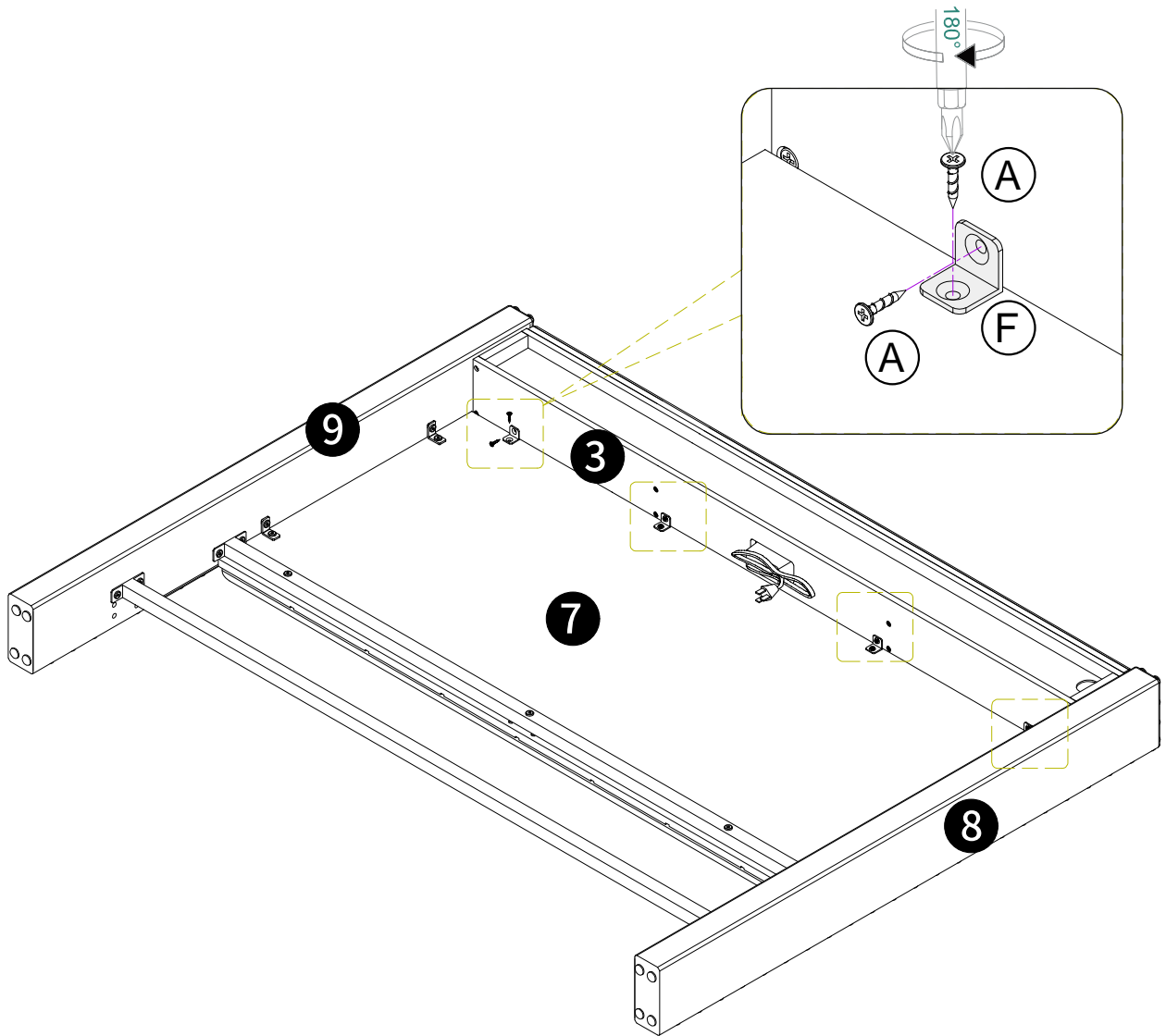
	
<b>(G) 4pcs</b>	<b>1/4" * 15mm</b>
	<b>(H) 8pcs</b>


# Step 11



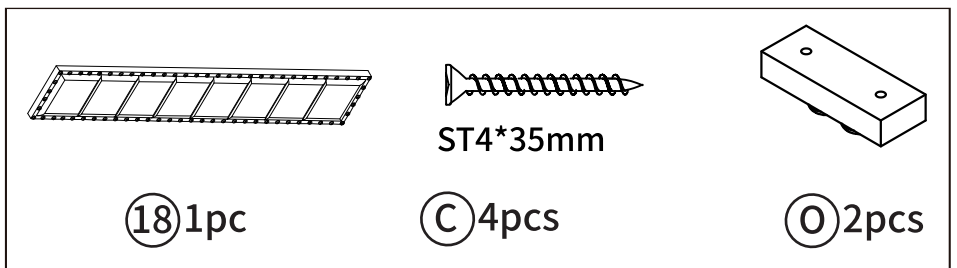
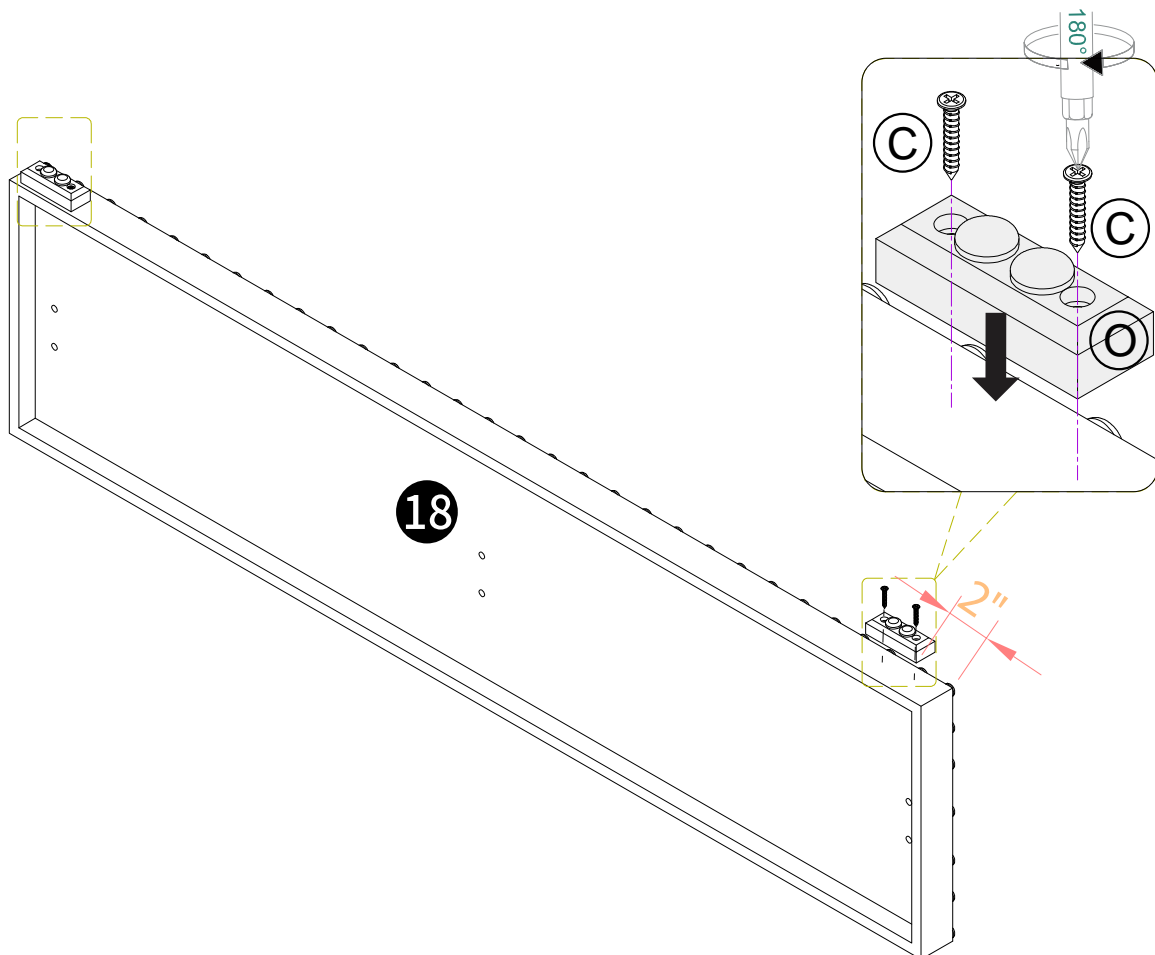
	
1/4"*40mm	
 2pcs	 2pcs

# Step 12

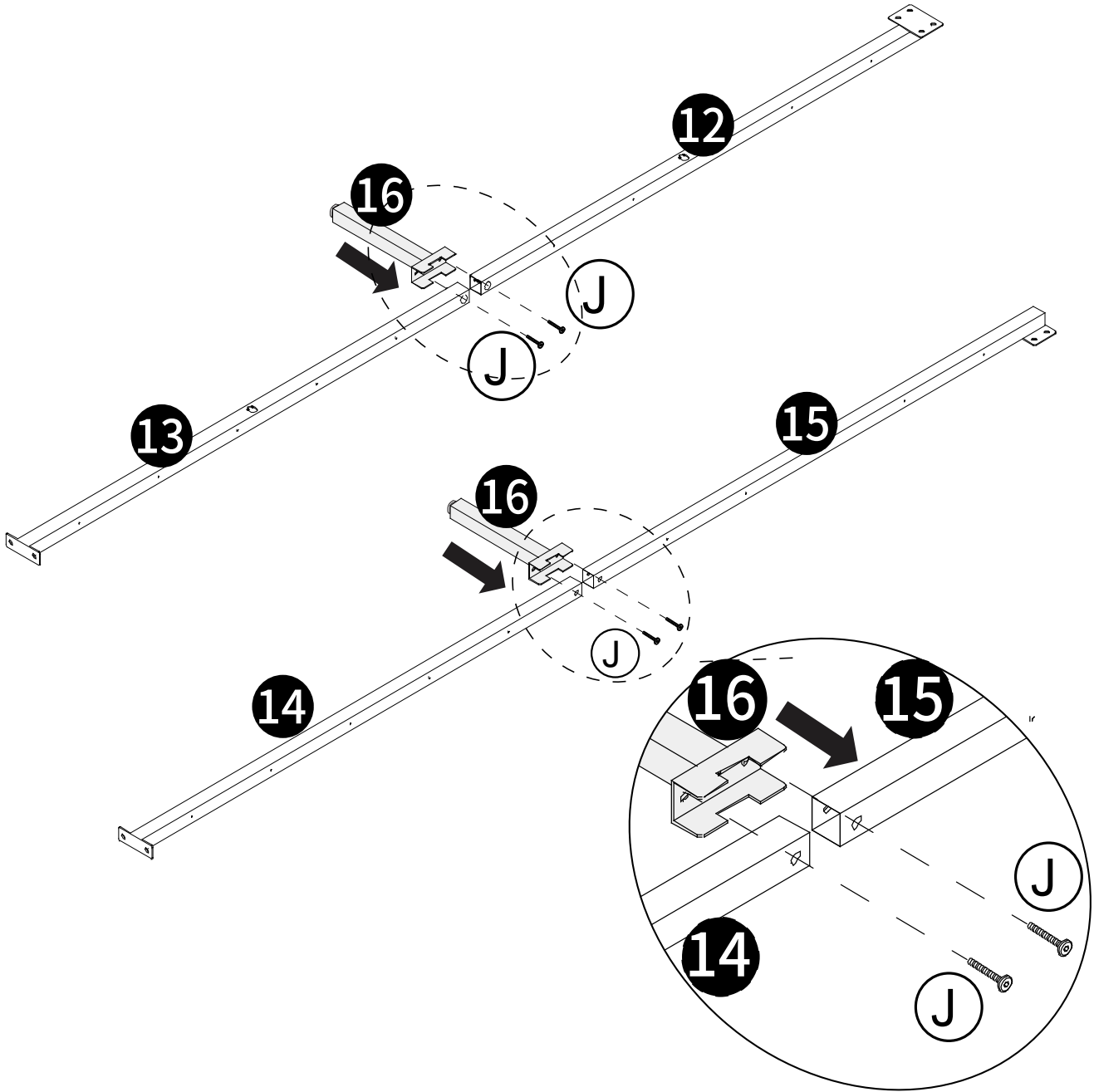



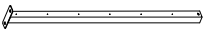




	
ST3*12mm	
(A) 8pcs	(F) 4pcs

# Step 13

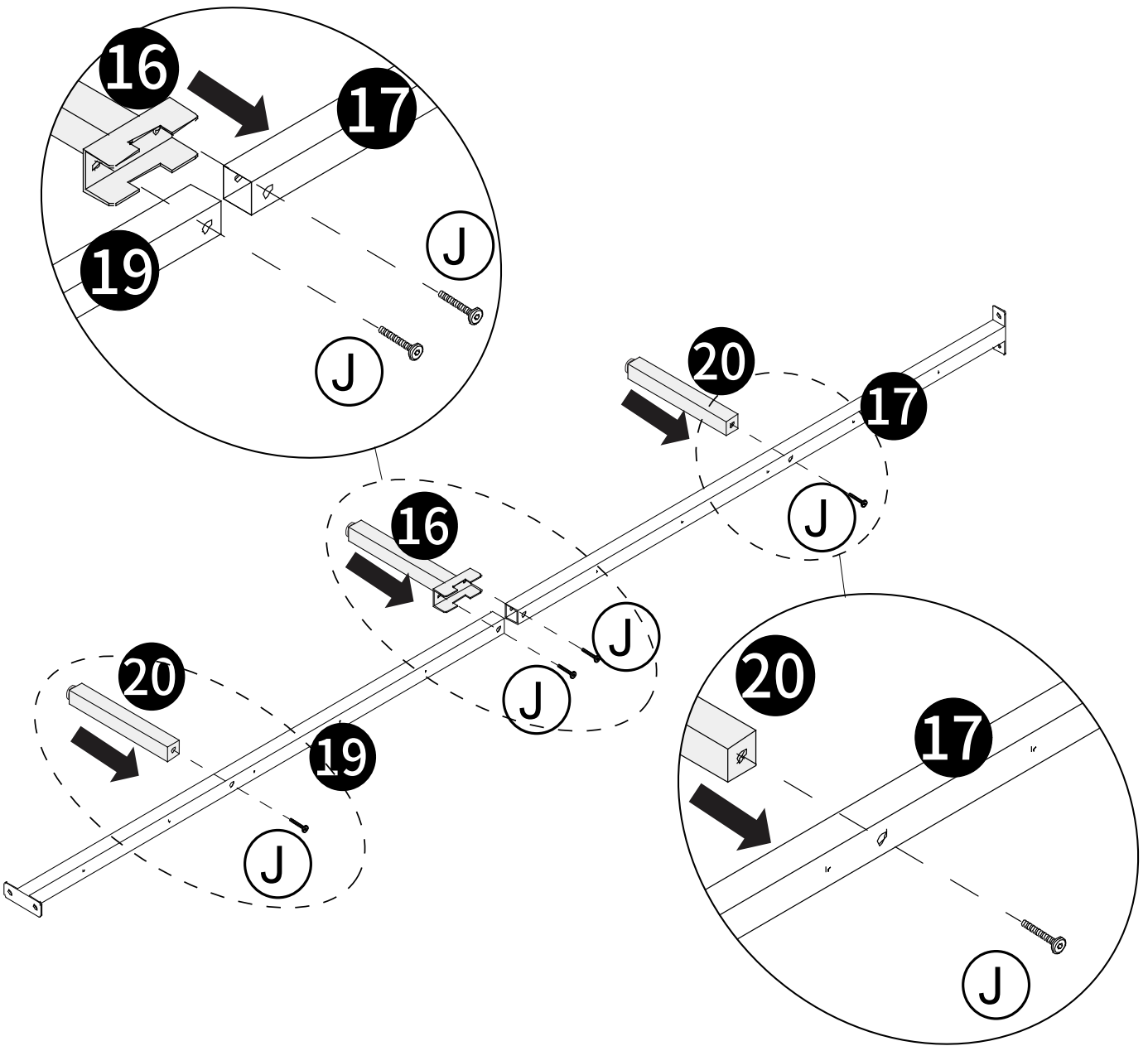


# Step 14



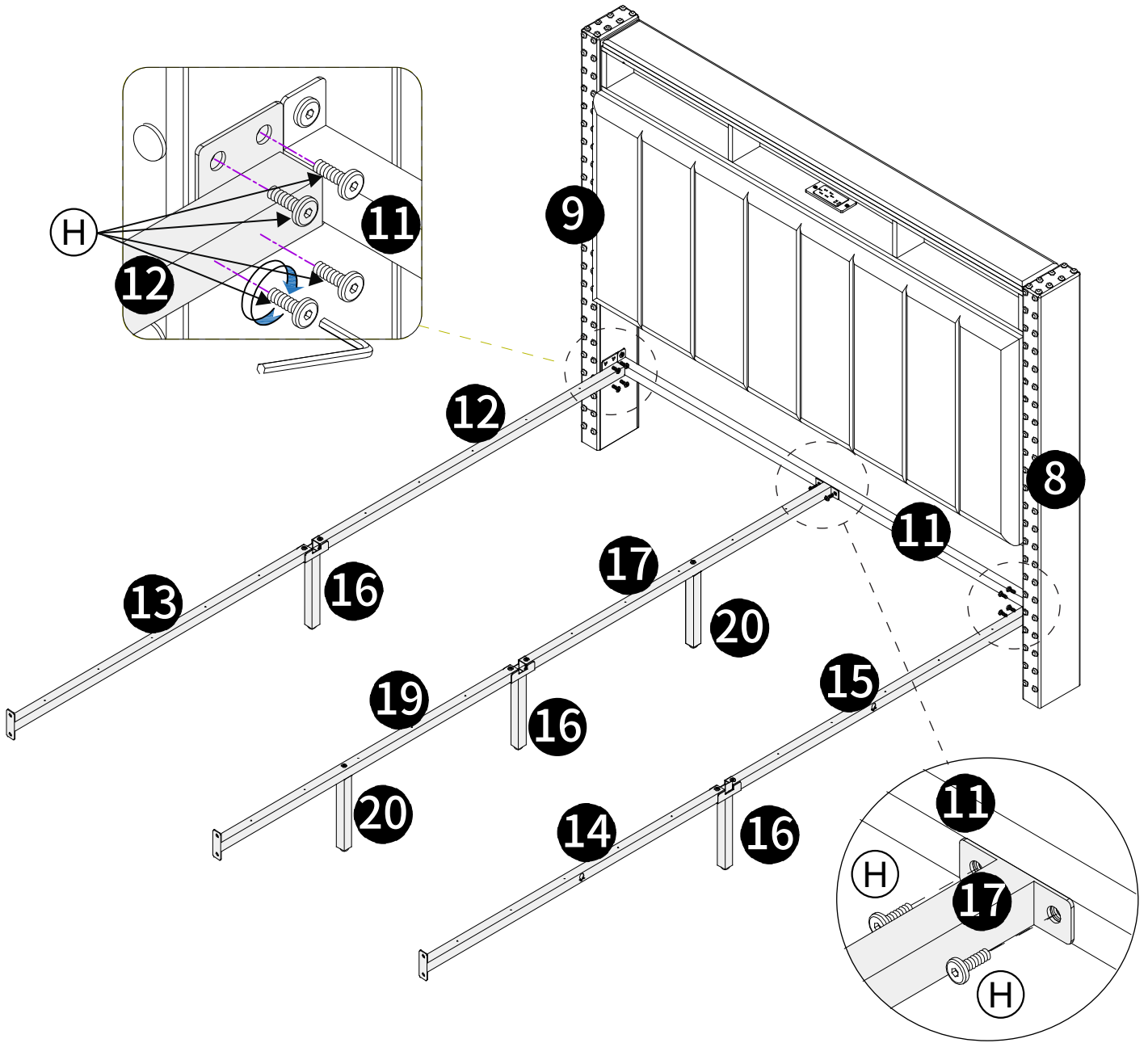
		
⑫ 1pc	⑬ 1pc	⑭ 1pc
		 1/4" * 40mm
⑮ 1pc	⑯ 2pcs	ⓐ 4pcs

# Step 15



- |         |             |        |
|---------|-------------|--------|
|         |             |        |
| ①⑥ 1pc  | ①⑦ 1pc      | ①⑨ 1pc |
|         |             |        |
| ②⑦ 2pcs | ①/4" * 40mm |        |
|         | ① 4pcs      |        |

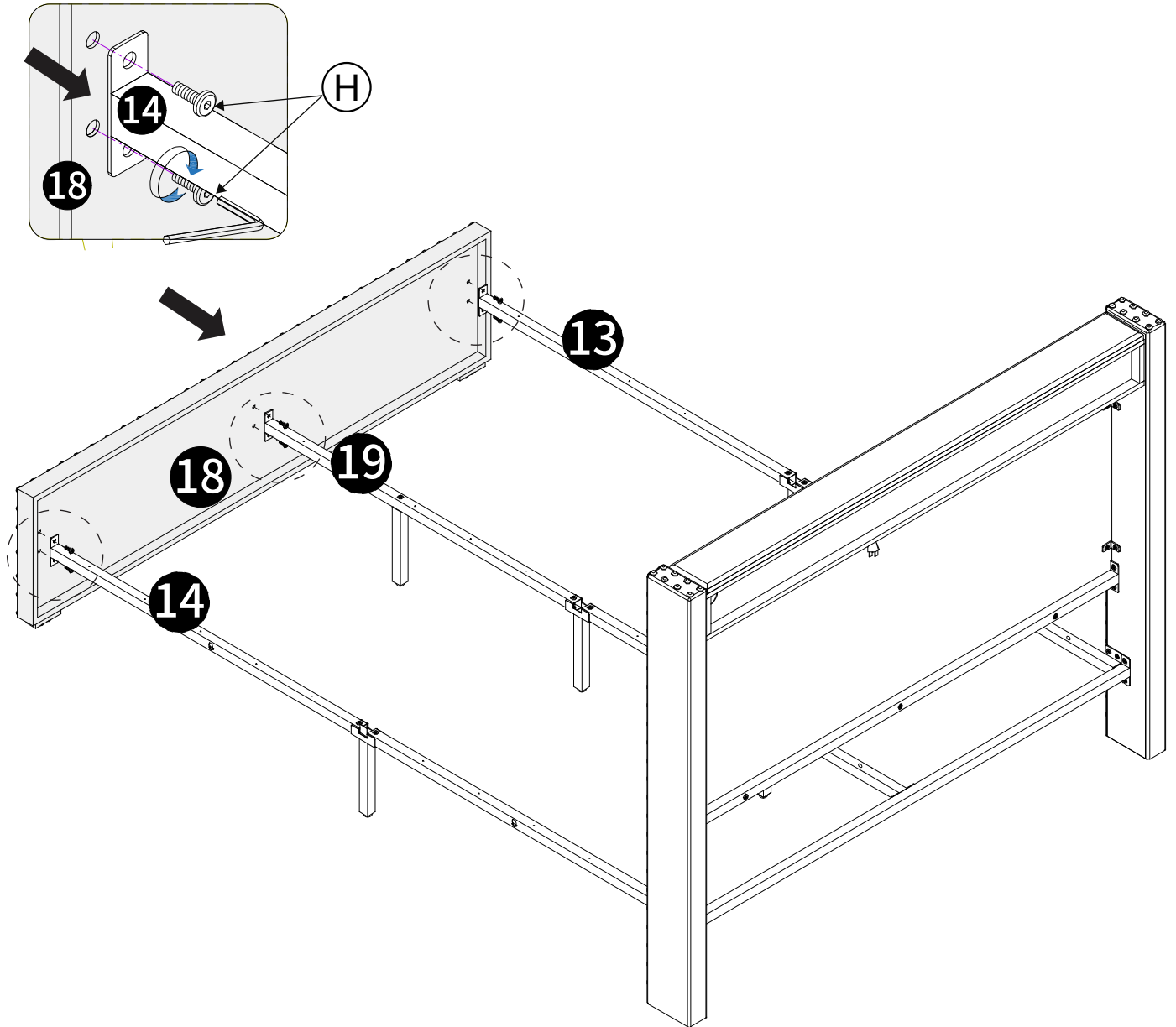
# Step 16



1/4" \* 15mm

(H) 10pcs

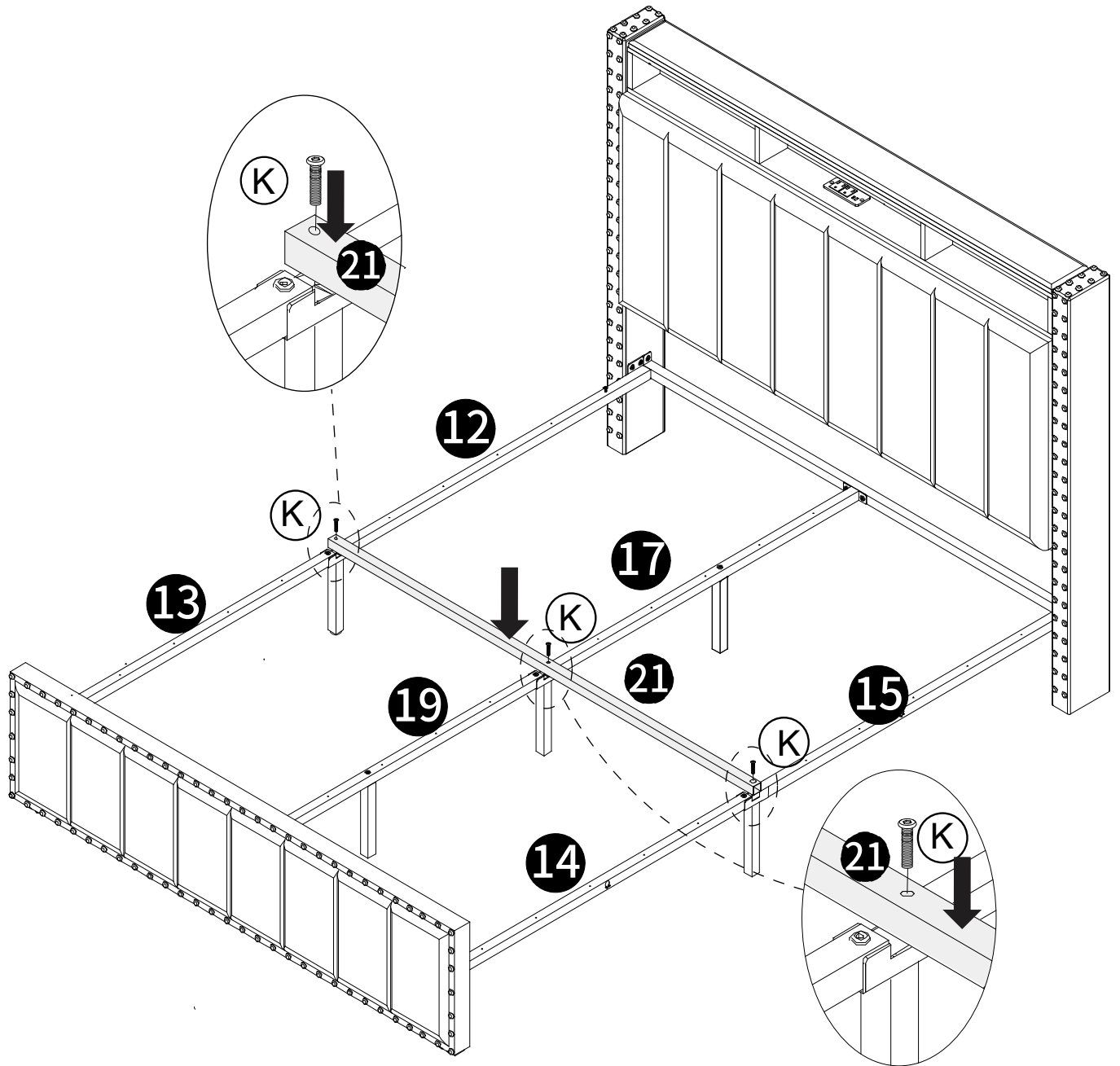
# Step 17





1/4"\*15mm

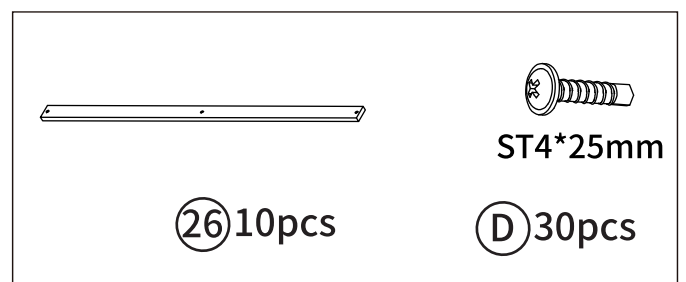
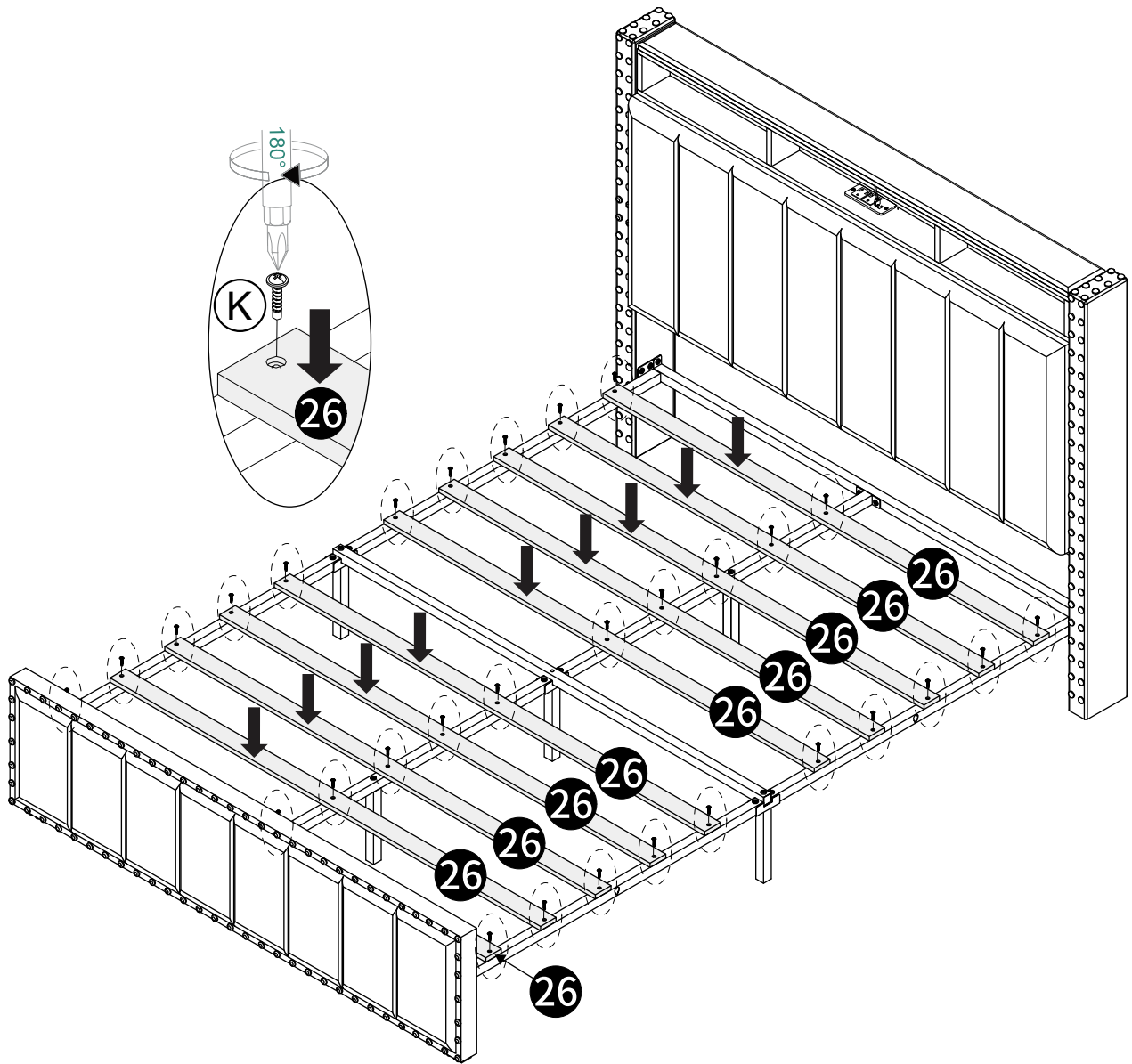
(H) 6pcs

# Step 18

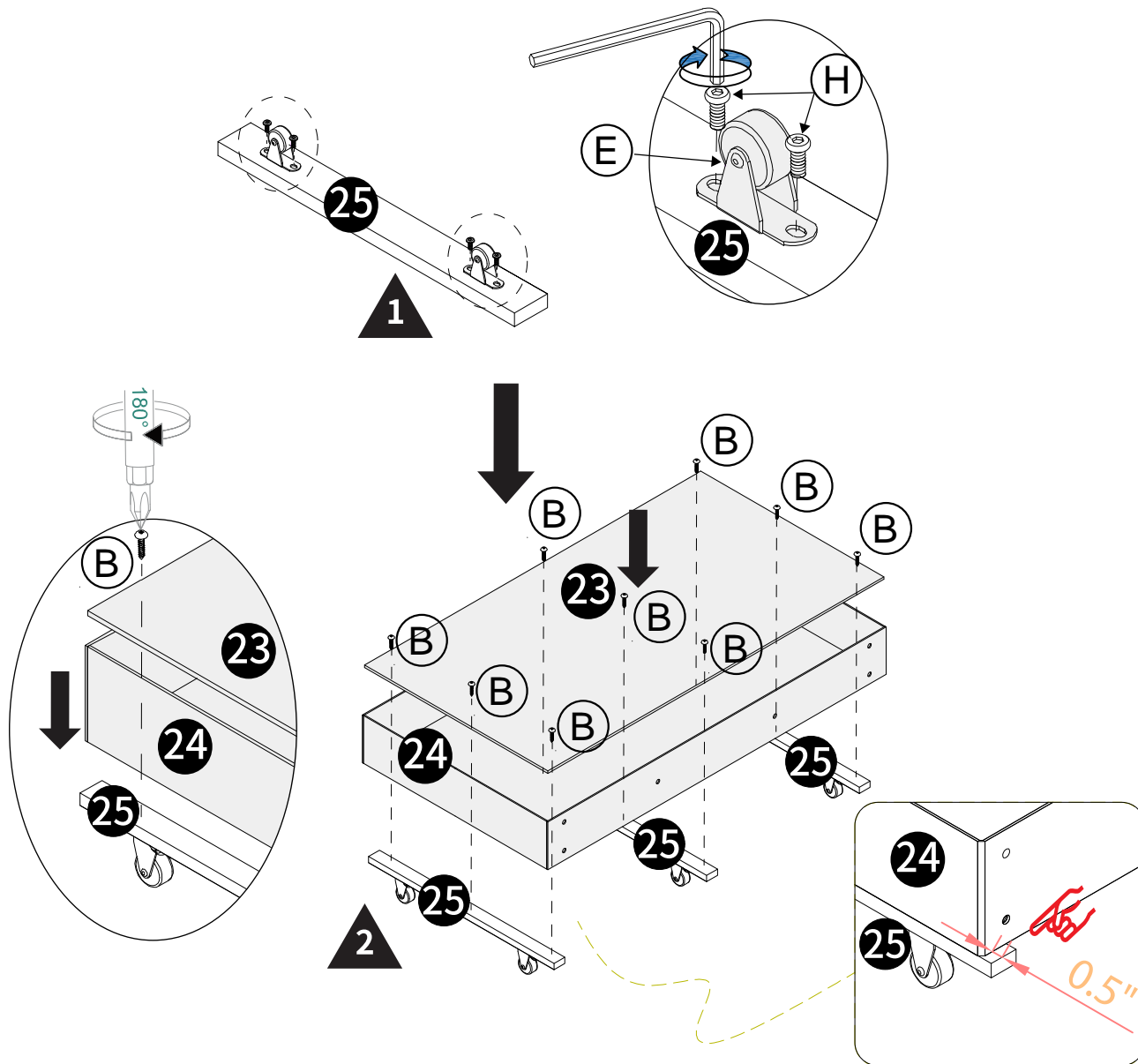





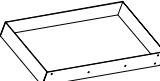

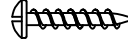
	1/4"*55mm
	
(21) 1pc	(K) 3pcs

# Step 19

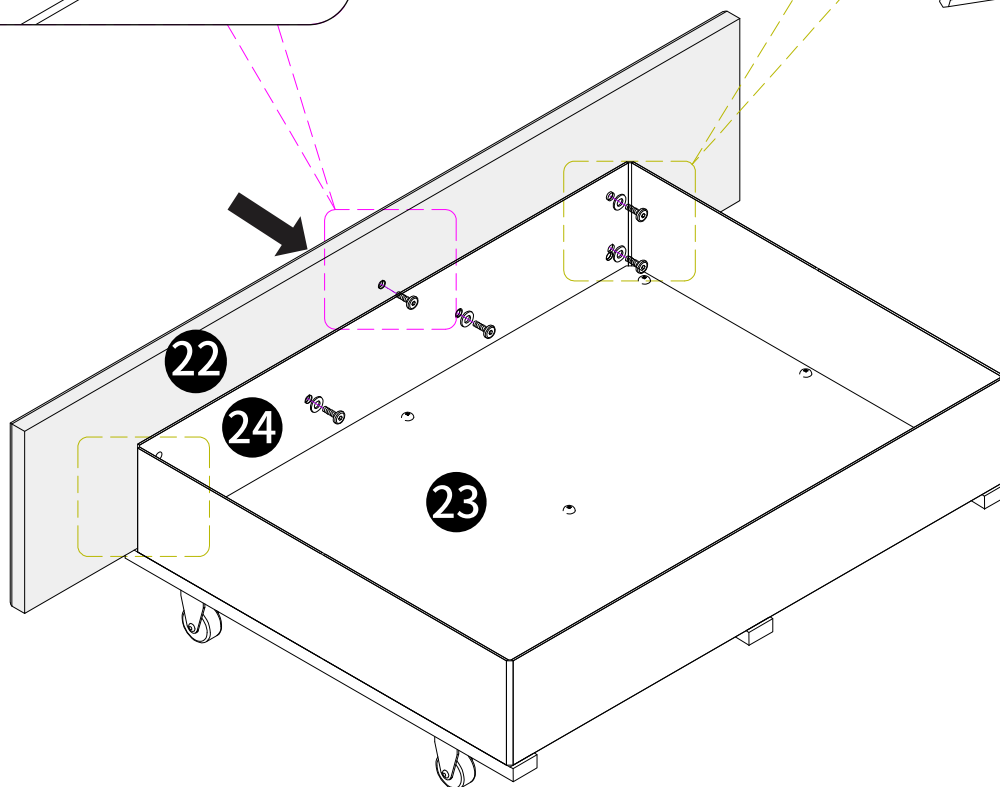
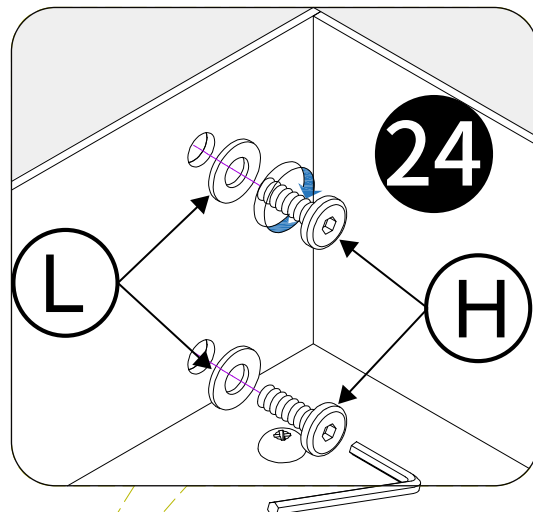
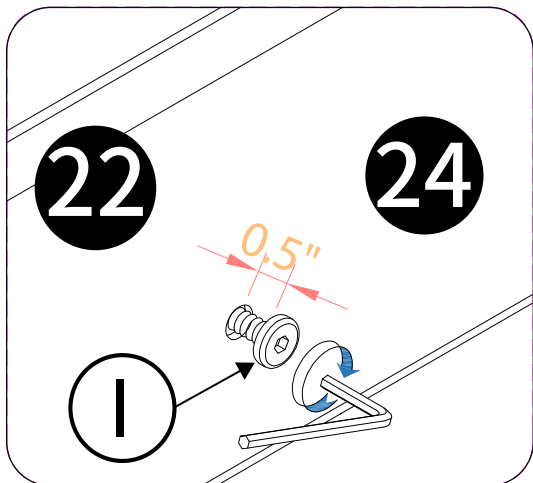






# Step 20 X4



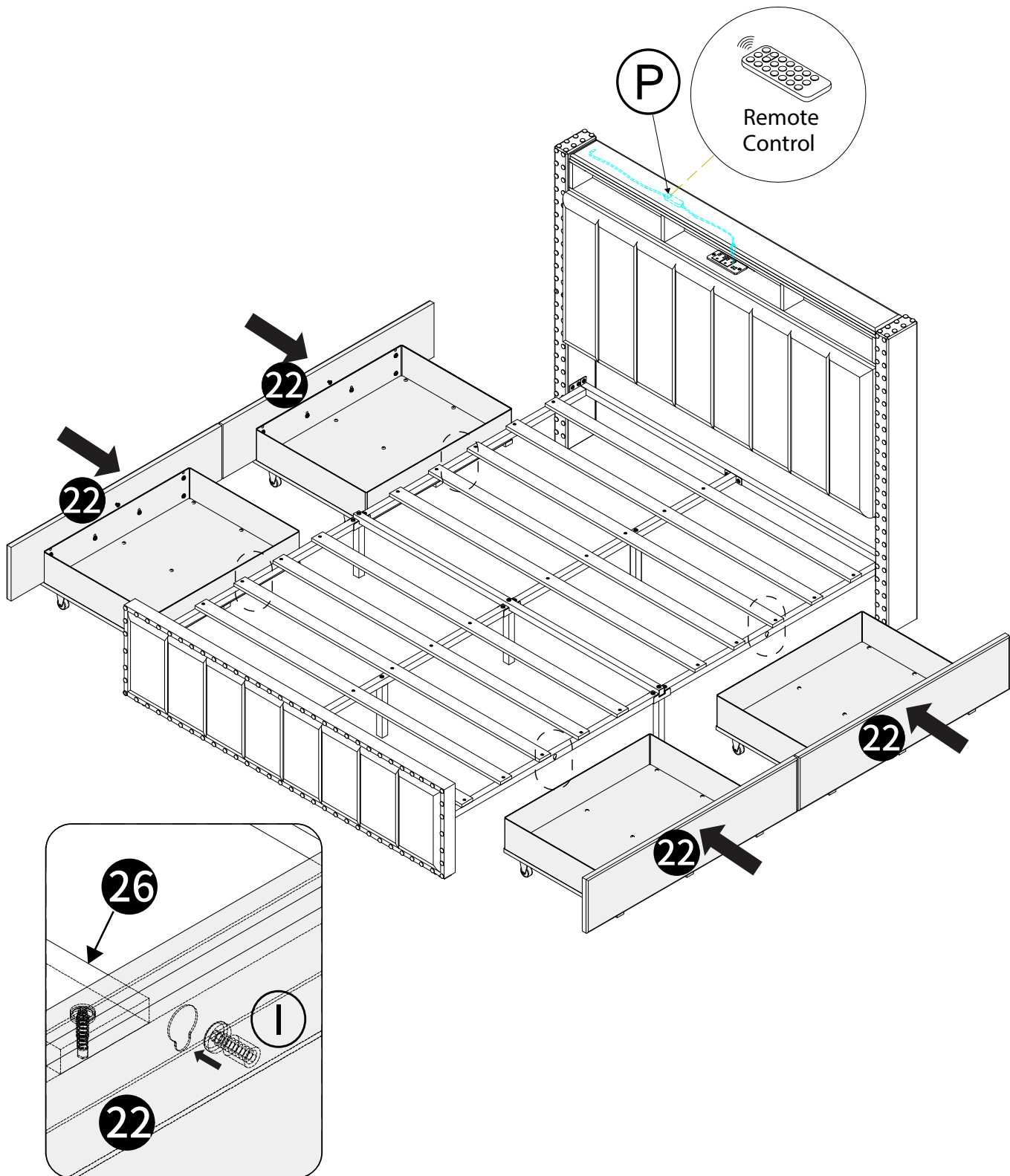
					
1/4" * 15mm					ST4 * 20mm
(H) 48pcs	(E) 24pcs	(23) 4pcs	(24) 4pcs	(25) 12pcs	(B) 36pcs

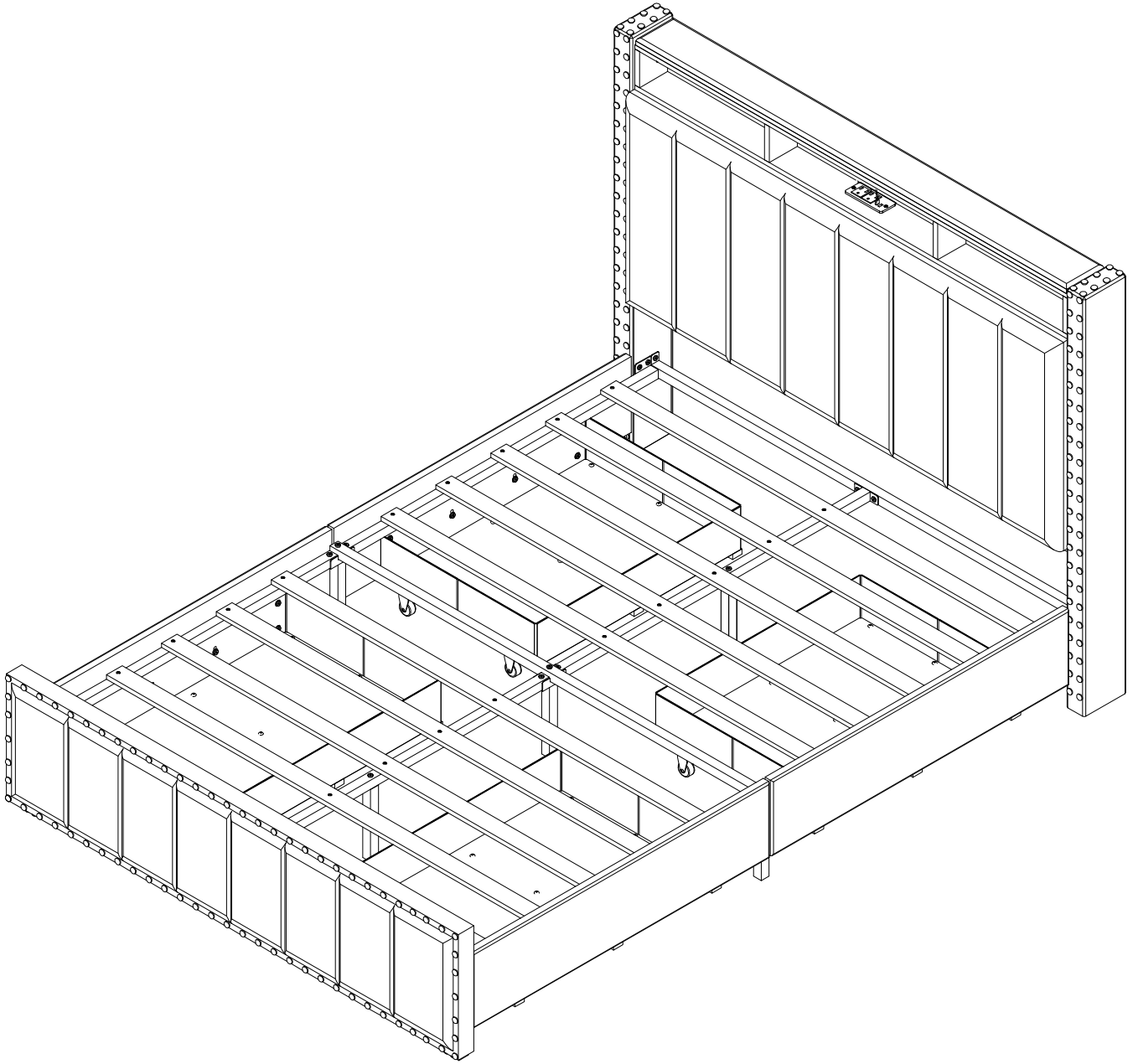
# Step 21 X4



			
	1/4"*15mm	1/4"*25mm	
(22)4pcs	(H)24pcs	(I)4pcs	(L)24pcs

# Step 22





## Technical Support

(909)637-7665 | (909)637-7593

## Other Info

HJ-Customer - Service@outlook.com

Thank you for choosing this product. We strive to provide you with the best quality products and services in the industry. Should you have any issues, please don't hesitate to contact us.