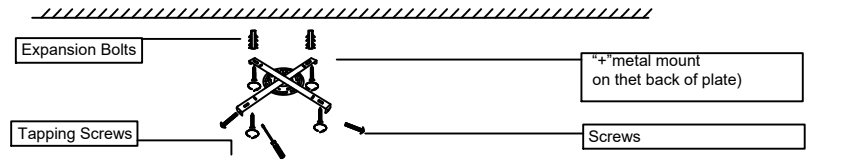
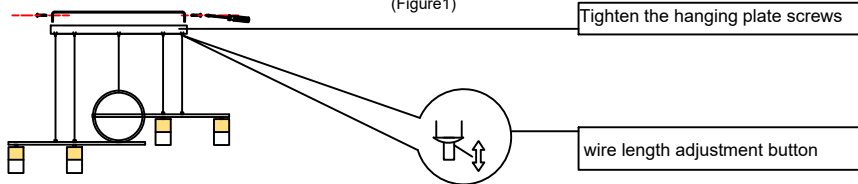


INSTALLATION INSTRUCTION

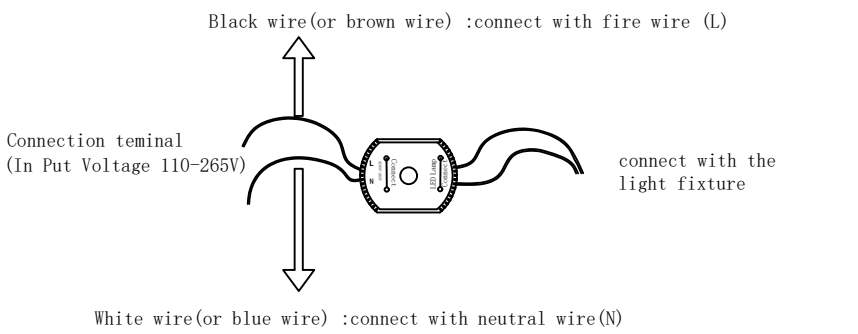
Please watch the installation video on the details page



(Figure1)



(Figure1)



Installation Steps:

1. Install the "+"metal mount.
2. Remove the protective film wrapped on the lamp body, do not use knives or sharp instrument, so as not to scratch the light body or wire insulation layer.
3. Adjust the length of the light as your needed
4. Test circuit: Connect the power wires with a temporary wire for testing if the light is working properly before install it to the ceiling.
5. Installation: Fix the lamp body to the cross hardware hanger, connect the power wires with the connecting terminals.
6. Turn on the power and double check again, the installation is complete.

Warning!



- 1) Please install by professional.
- 2) The voltage available for 110-260V only.
- 3) Don't install the lighting fixture under moist condition.
- 4) Please switch off the power when you cleaning the lighting fixture.
- 5) Keep away from acidic & corrosive material.

Installation instructions for Metal mount

This job will go easier with two people, because the light needs support during assembly, and it helps having somebody to read the directions.

