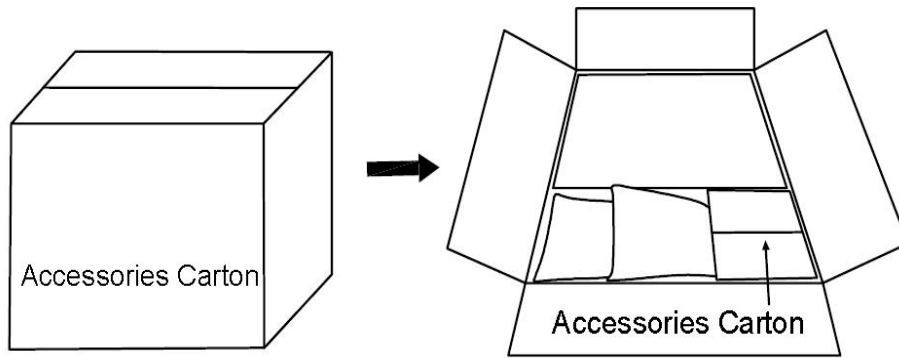


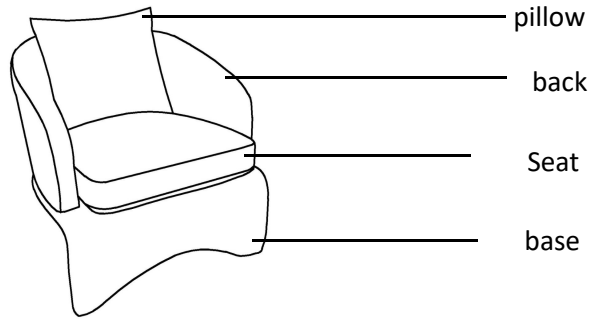
Assembly Instructions

Parts List

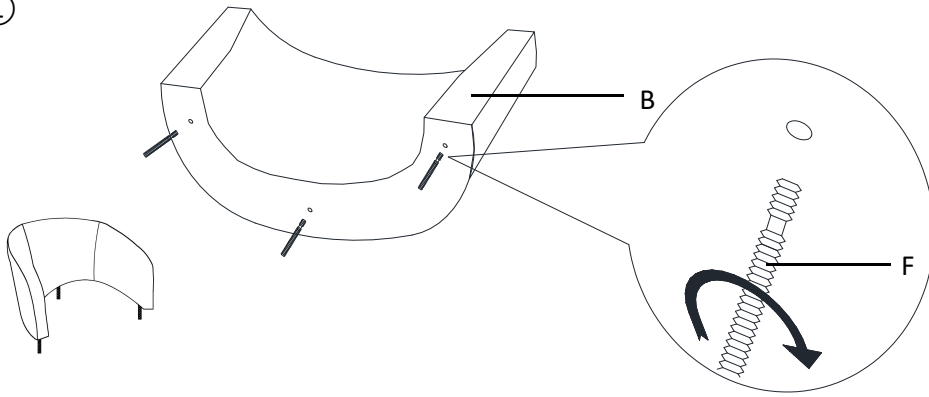


Label	Picture	Description	QTY	
A		base	1	
B		back	1	
C		Seat	1	
D		pillow	1	
Accessories Carton 	F		screw	3
	G		gasket	3
	H		Spring washer	3
	I		nut	3
	J		wrench	1

Assembly Steps

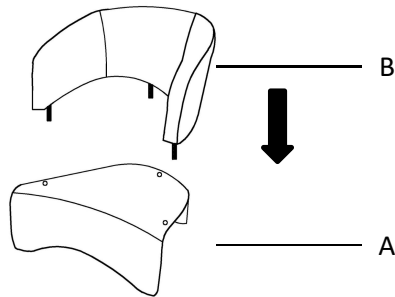


①

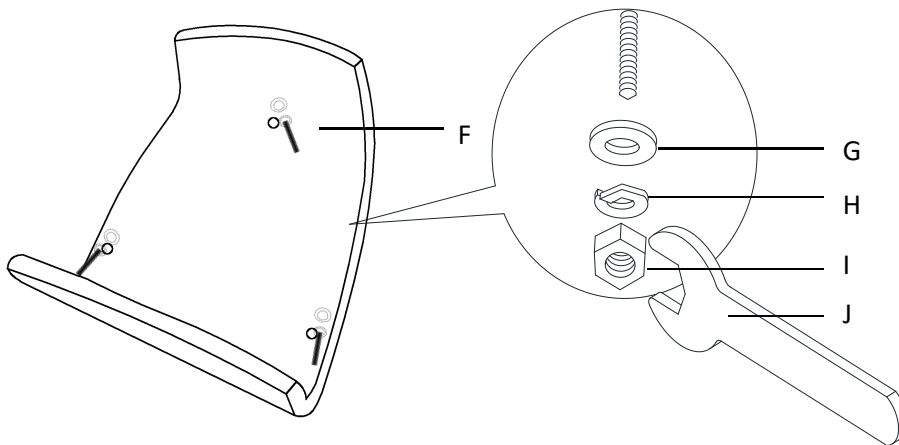


Screw the short end into the back as shown.

②



③



④

