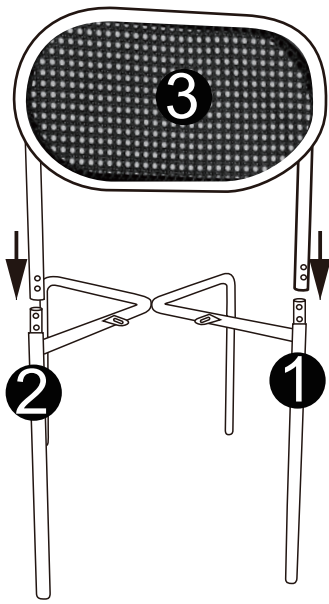
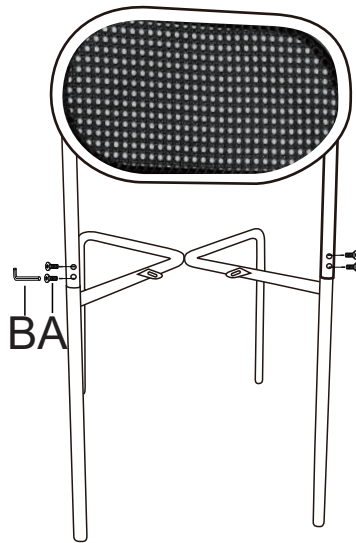


# ASSEMBLY INSTRUCTION

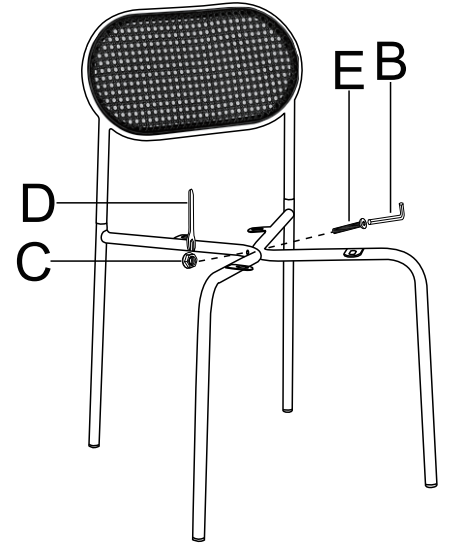
STEP:1



STEP:2

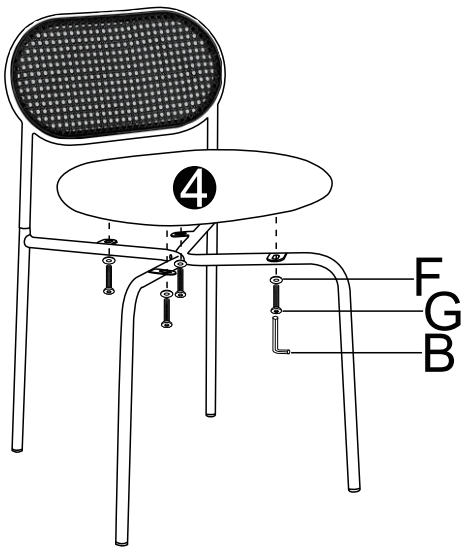


STEP:3



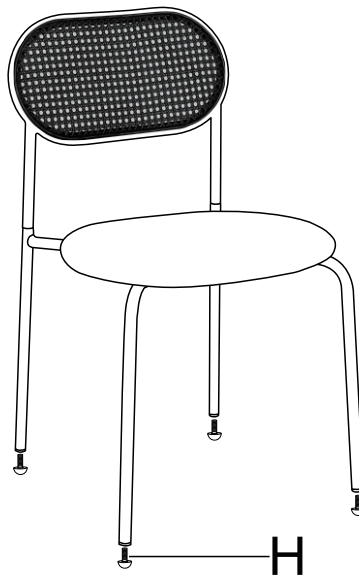
Attention: Please do not tighten the screws.

STEP:4








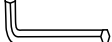






Attention: Make sure all the screws assembled first, then fasten them all.

STEP:5



STEP:6



<b>1</b>		<b>2</b>		<b>3</b>		<b>4</b>	
	x1		x1		x1		x1
<b>A</b>	 M6x13mm x4	<b>B</b>	 x1	<b>C</b>	 x1	<b>D</b>	 M6x50mm x1
						<b>E</b>	 M6xΦ16x1.5mm x4
						<b>F</b>	 M6x20mm x4
						<b>G</b>	 M6x20mm x4
						<b>H</b>	 x4