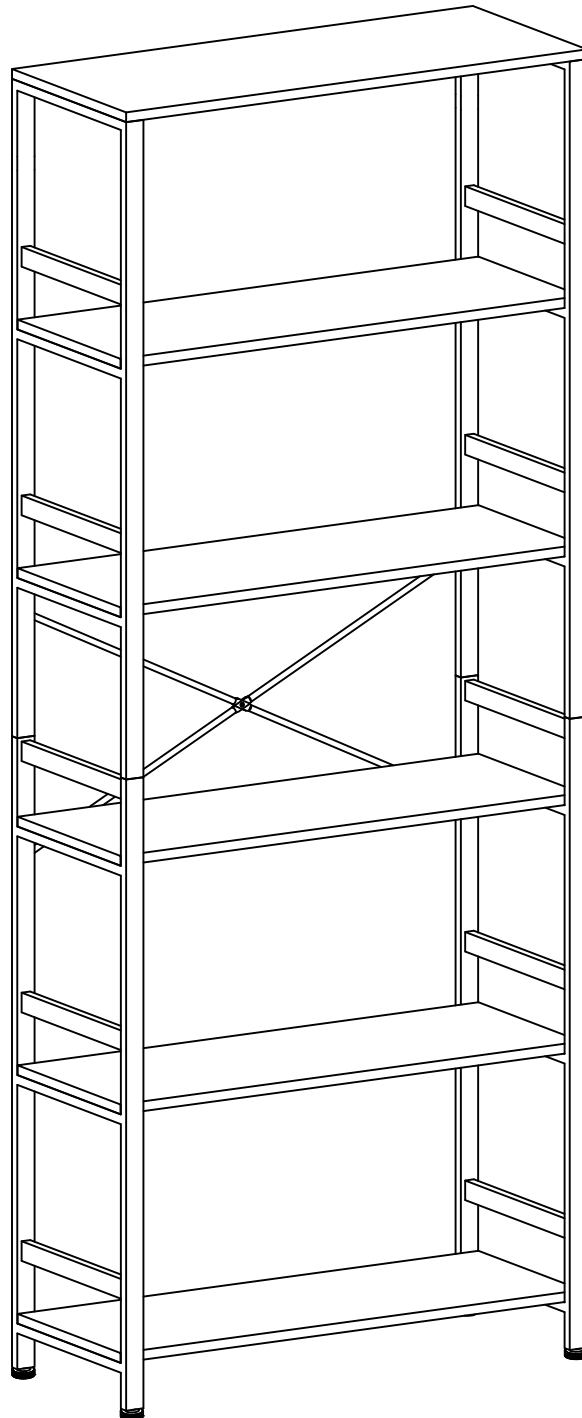




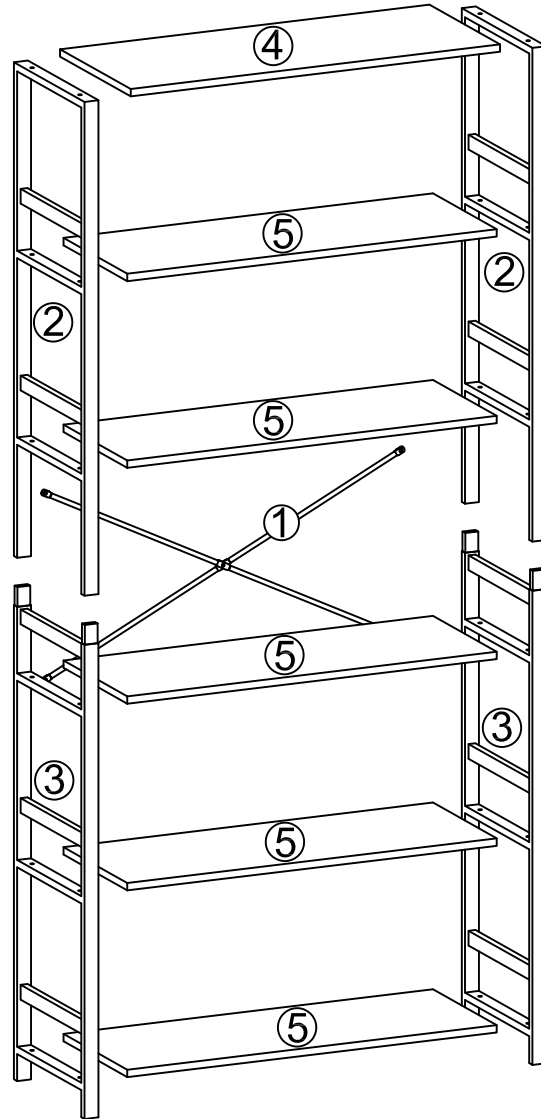
# INSTRUCTION MANUAL



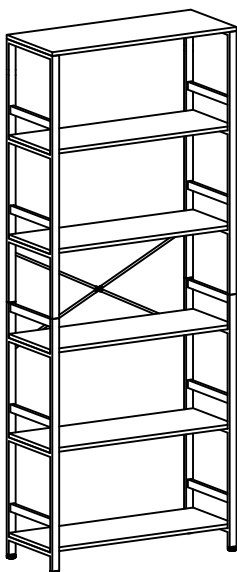
■ Please don't tighten the screws completely and go back later for a final tightening of all the screws after pieces are aligned with each other.

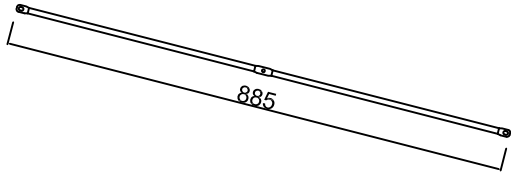


EXPLODED

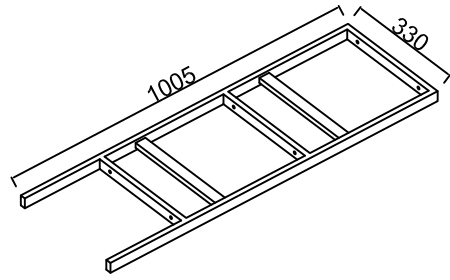


COMPLETE

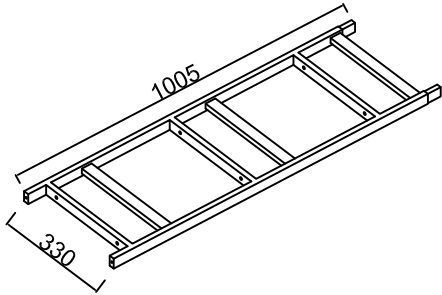




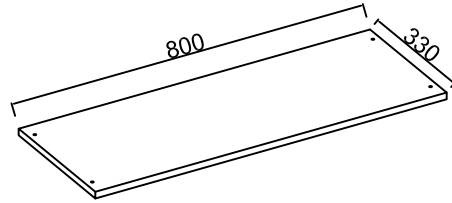
① x 2PCS



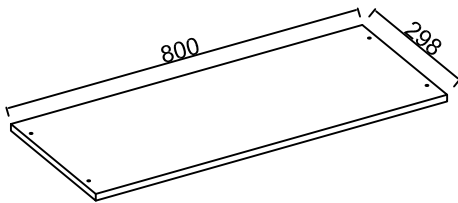
② x 2PCS



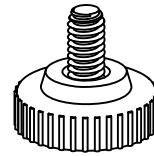
③ x 2PCS



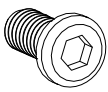
④ x 1PCS



⑤ x 5PCS

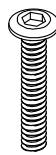


A x 4PCS



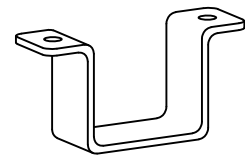
1/4x10mm

B x 9+1PCS

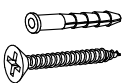


1/4x25mm

C x 24+1PCS



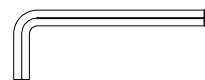
D x 2PCS



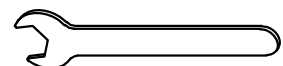
E x 4PCS



F x 1PCS



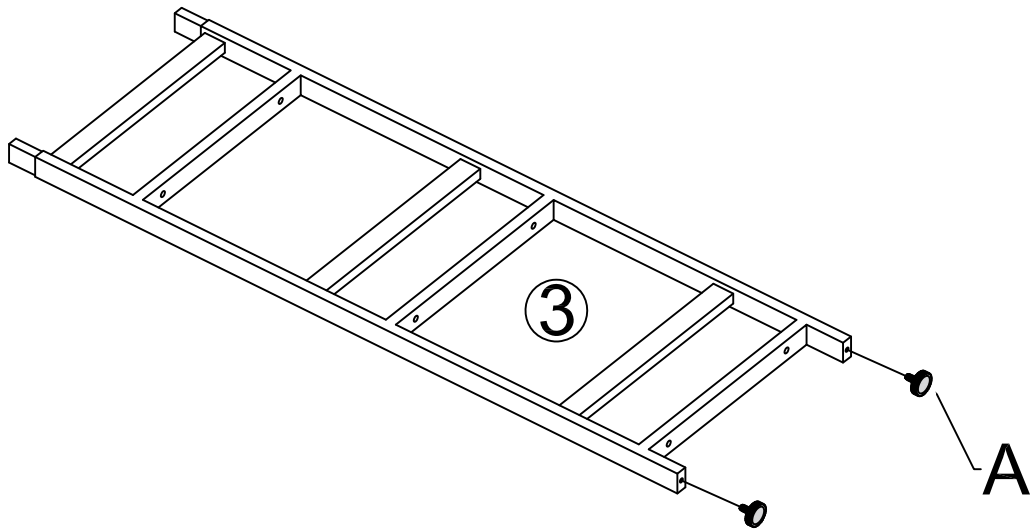
M4



1

③ x 2PCS

A x 4PCS

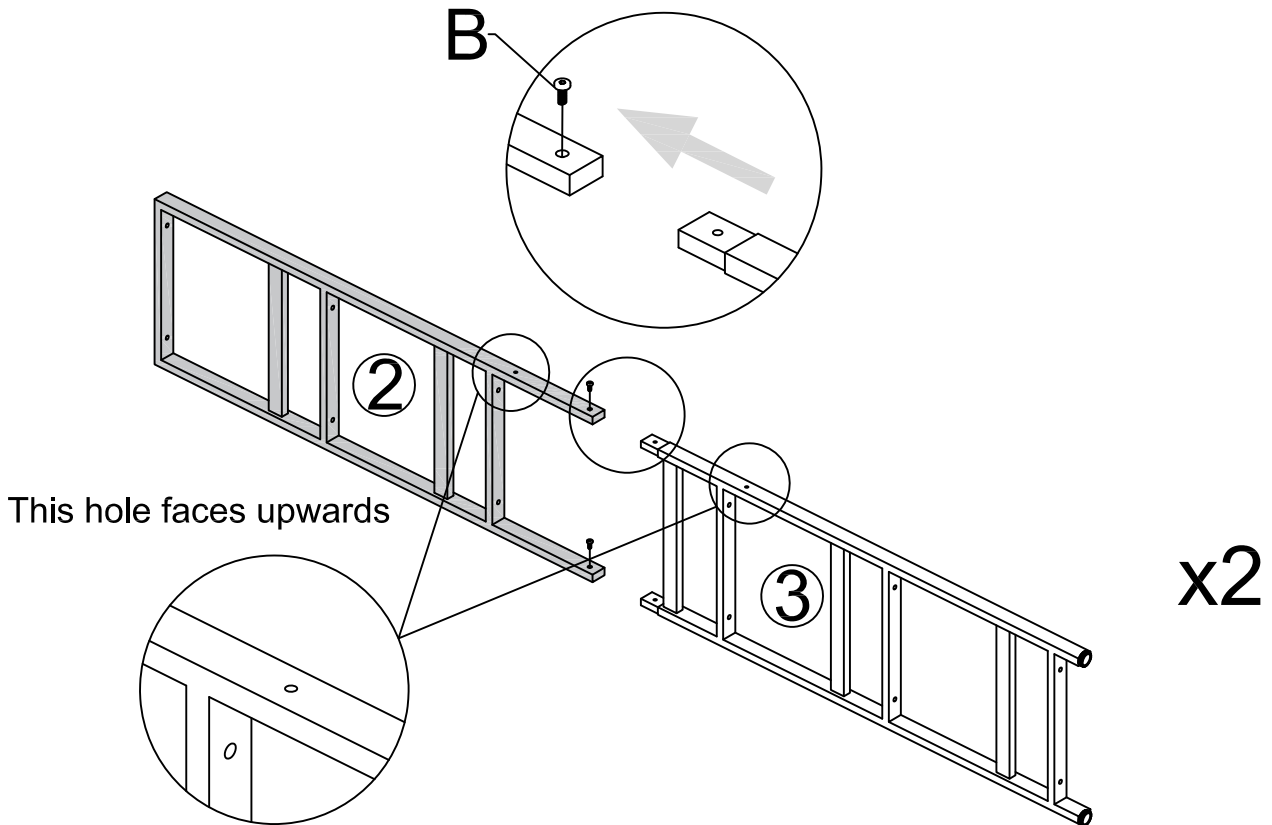


x2

2

② x 2PCS ③ x 2PCS

B x 4PCS

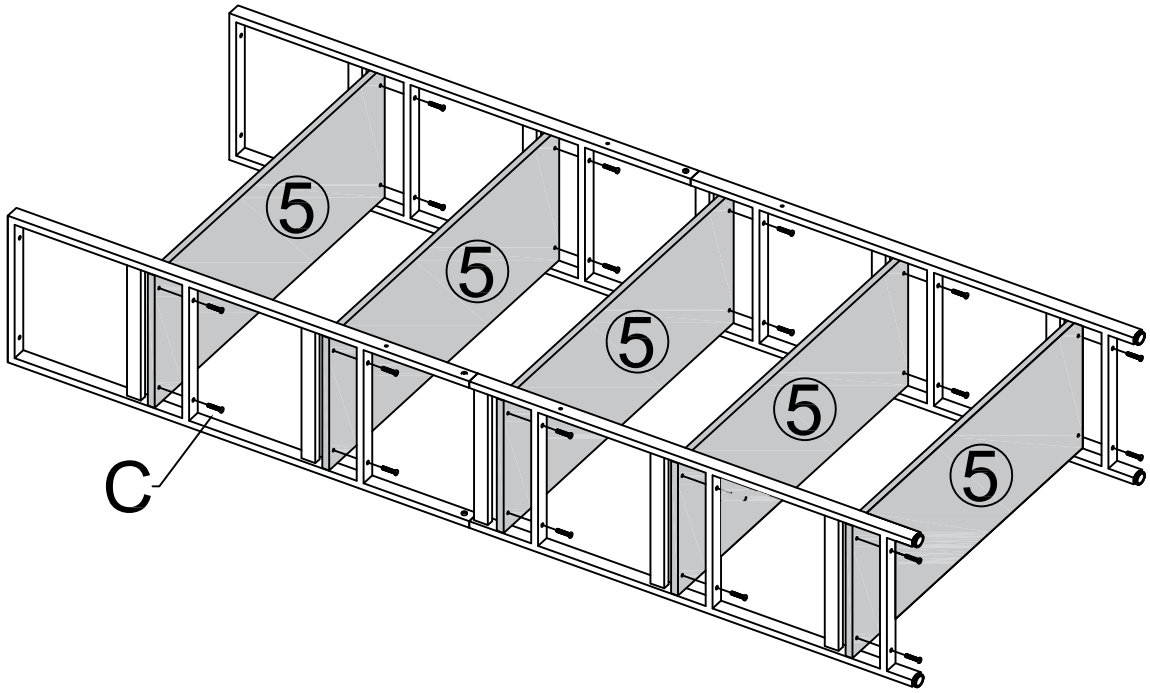


x2

3

⑤ x 5PCS

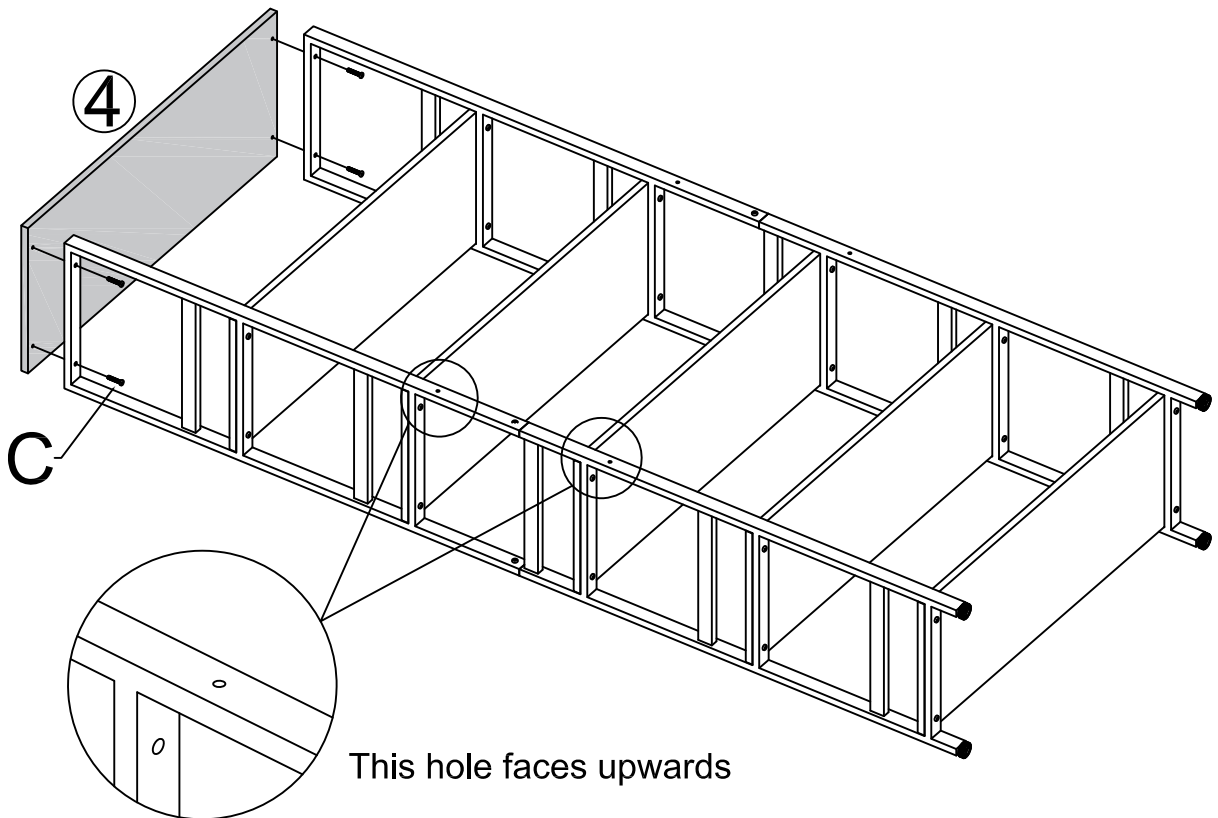
C x 20PCS



4

④ x 1PCS

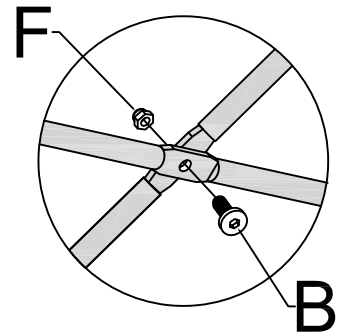
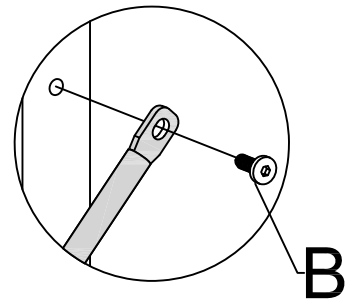
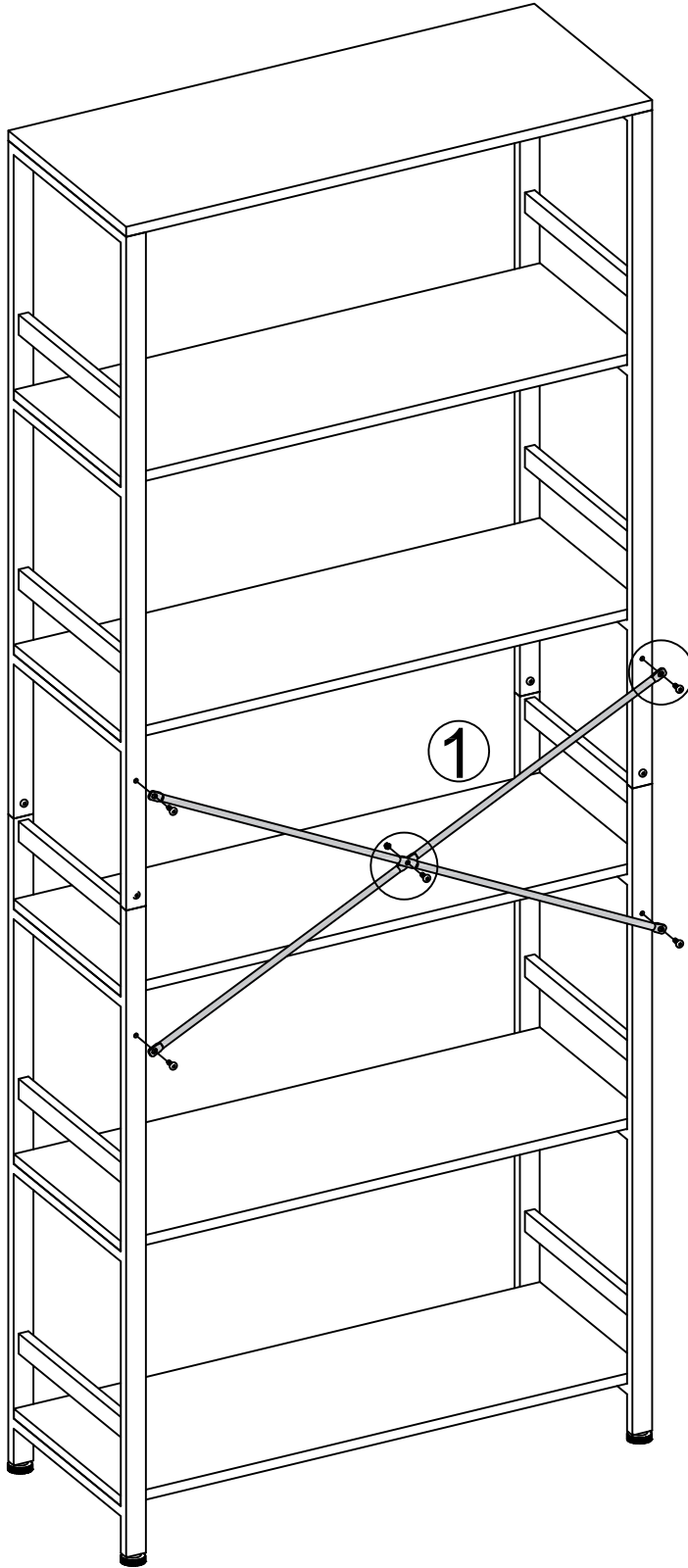
C x 4PCS



5

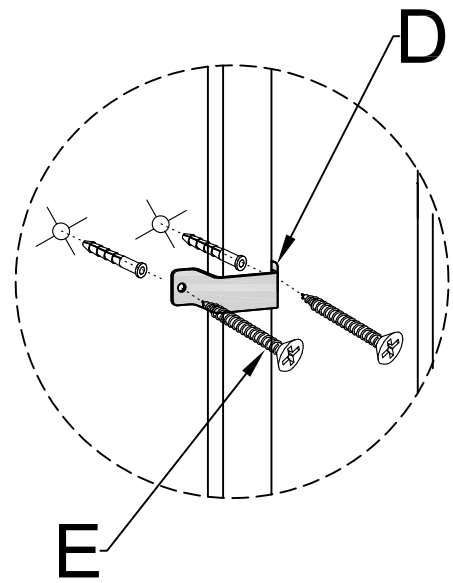
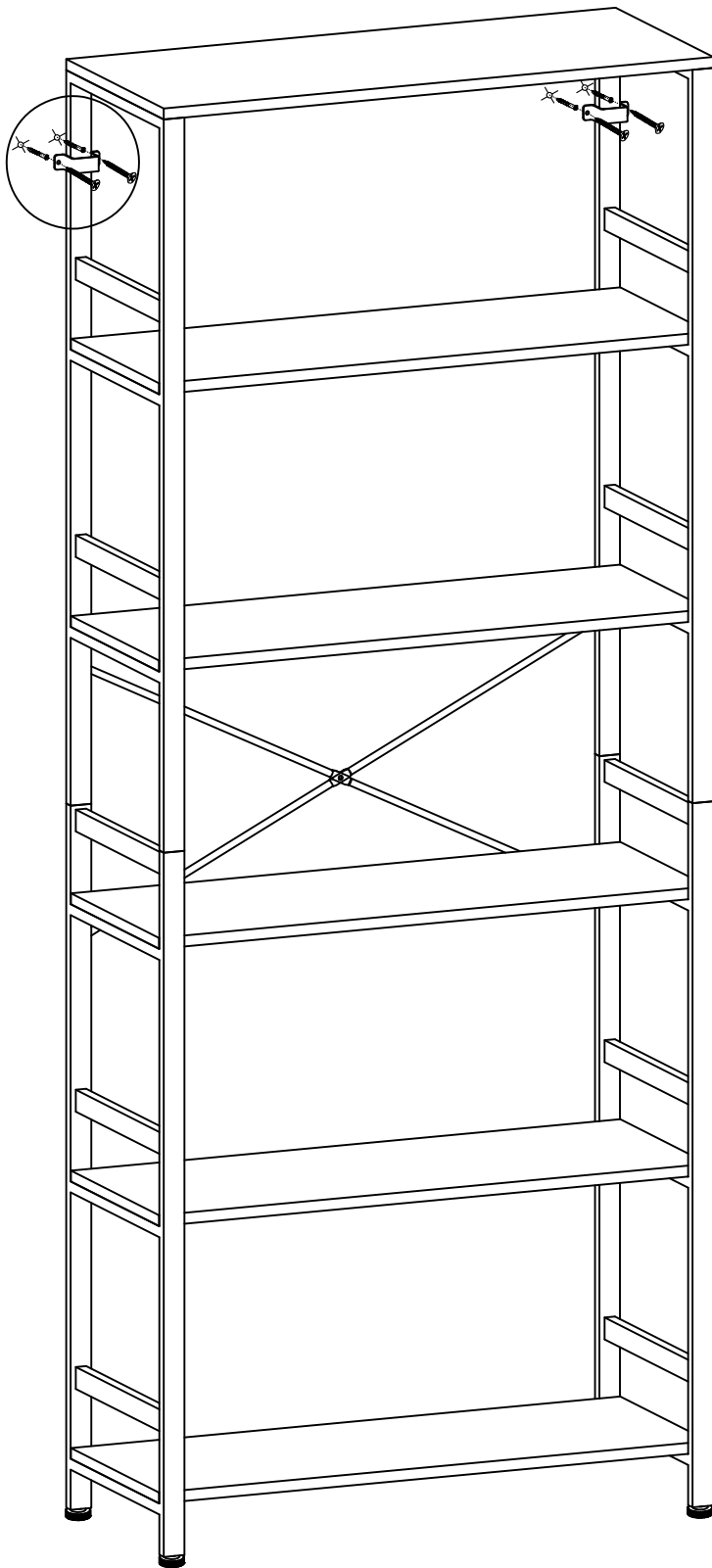
① x 2PCS

B x 5PCS  
F x 1PCS



6

D x 2PCS  
E x 4PCS



7

